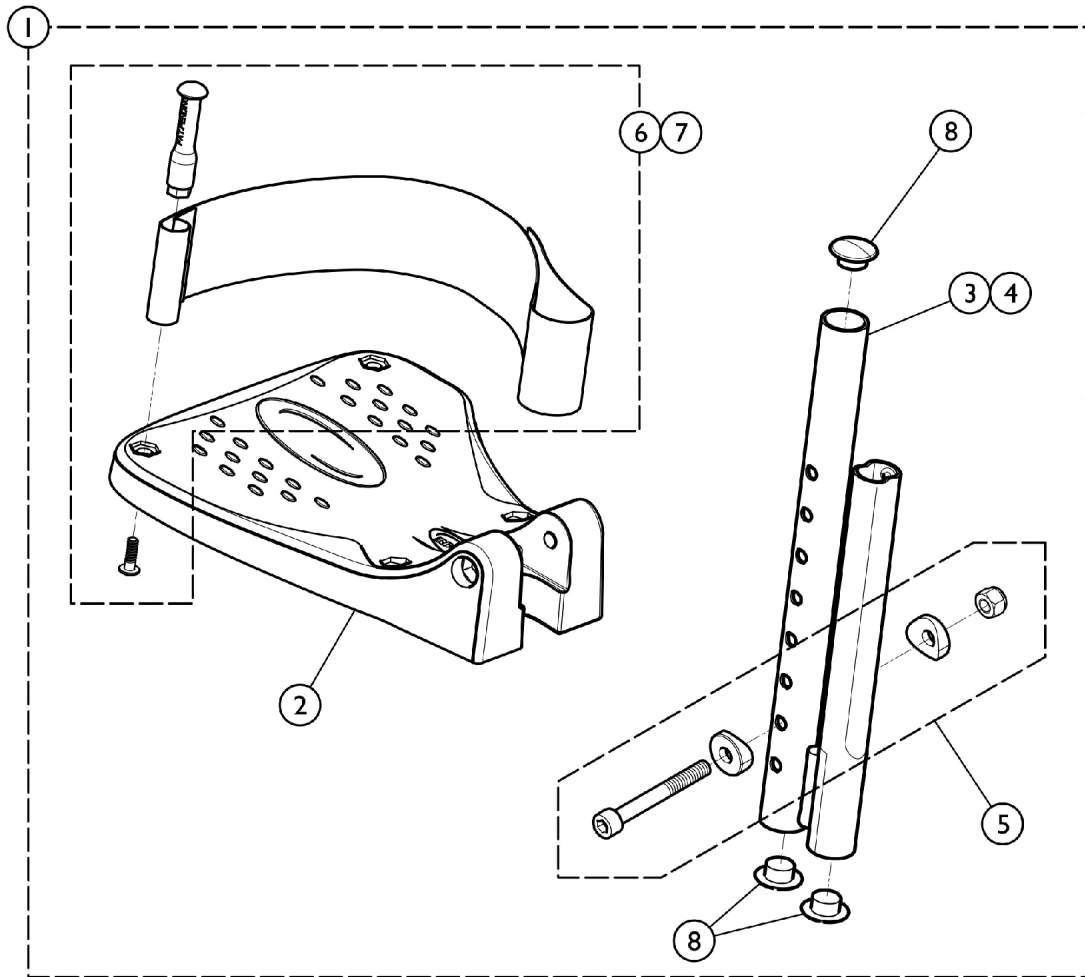


Footrest - Fixed - High Mounted - Swing Away Frame (SAS, COMPFU)



SCM_127B

Item Number	Note	Part Number	Description	Quantity Per	
				Package	Assembly
1	A	See Chart	#1. Footrest Complete	1	1
2		See Chart	#2. Footplate	1	1
3		SP1511849-001 0	Footrest Tube, Standard Straight, Fixed Frame	1	1
4		SP1506244-069 9	Footrest Tube, Long Straight, Fixed Frame	1	1
5		SP1434612	Kit, Hardware, Footrest Tube	1	1
6		SP0587-05201	Kit, Heel Strap, Adjustable, Small	1	1
7		SP1492315	Kit, Heel Strap, Adjustable, Medium	1	1
8		SP1424576	Plastic Cap Black (7/8")	1	1

NOTE: A - Item includes 2, 3, 4, 5, 6, 7, and item 8.

Footrest - Fixed - High Mounted - Swing Away Frame (SAS, COMPFU)

#1. Footrest Complete

Chair Width	Left Footrest	Right Footrest
14" W	SP1587842	SP1587843
15" W	SP1587844	SP1587845
16" W	SP1588156	SP1588157
17 - 18" W	SP1532070	SP1532066
19 - 20" W	SP1532072	SP1532068
21" W	SP1601786	SP1601787
	See Note(s) A	See Note(s) A

NOTE: A - Footrest includes Heel Strap.

Footrest - Fixed - High Mounted - Swing Away Frame (SAS, COMPFU)

#2. Footplate

Footplate Size	Chair Width	Left Footplate	Right Footplate
5-1/4"	12 - 13" W	SP0572-04433	SP0572-04447
6-1/2"	14" W	SP0572-04434	SP0572-04448
6-3/4"	15 - 16" W	SP1529643	SP1529642
8"	17 - 18" W	SP1529645	SP1529644
9"	19 - 21" W	SP1529647	SP1529646