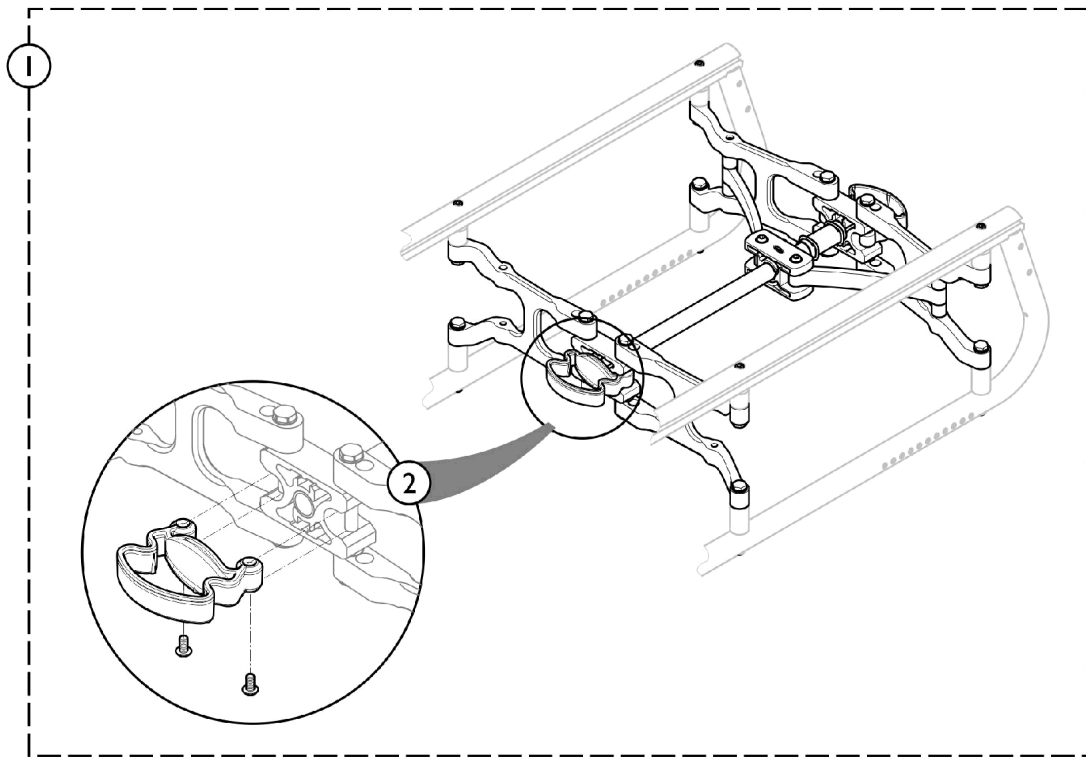


Frames - Folding System



SCM_132A

Item Number	Note	Part Number	Description	Quantity Per	
				Package	Assembly
1	A	See Chart	#1. Frames - Folding System	1	1
2		SP1589803	Kit, Handle Plus Screw, Folding System	1	1

NOTE: A - Kit includes item 2.

#1. Frames - Folding System

Chair Width	14 - 16" D	16" D	17 - 18" D	19 - 20" D
12" W	SP1583191	N/A	SP1583192	N/A
13" W	SP1583193	N/A	SP1583194	N/A
14" W	SP1583195	N/A	SP1583196	SP1583197
15" W	SP1583198	N/A	SP1583199	SP1583252
16" W	SP1583253	N/A	SP1583260	SP1583261
17" W	SP1583262	N/A	SP1583263	SP1583264
18" W	SP1583265	N/A	SP1583266	SP1583267
19" W	SP1583268	N/A	SP1583269	SP1583270
20" W	N/A	SP1589975	SP1583271	SP1583272
21" W	N/A	SP1589976	SP1583313	SP1583314