

# Invacare® Top End® Force RX™ Handcycle

## Price List and Order Form

Effective **July 1, 2012** Revised **January 1, 2016**

For accuracy of ordering, please fax order to Top End at 727-522-1007 or e-mail to TopEndOrders@invacare.com

For questions call 800-532-8677 or 727-522-8677.

To order Literature: 800-828-6282

www.topendwheelchair.com



Provider Name \_\_\_\_\_ Date \_\_\_\_\_ Top End Job Number \_\_\_\_\_

Account # \_\_\_\_\_ P.O. # \_\_\_\_\_ Phone # \_\_\_\_\_ Fax # \_\_\_\_\_

Address \_\_\_\_\_ City \_\_\_\_\_ State \_\_\_\_\_ Zip Code \_\_\_\_\_

Provider Primary Contact: \_\_\_\_\_ Email: \_\_\_\_\_ Phone No \_\_\_\_\_

Athlete Name \_\_\_\_\_ Email \_\_\_\_\_ Phone No \_\_\_\_\_

Address \_\_\_\_\_ City \_\_\_\_\_ State \_\_\_\_\_ Zip Code \_\_\_\_\_

Indicate:  Order or  CAD or  Quote Ship order to:  Provider  Customer Order will ship to Provider unless otherwise noted.

RACE\* 101 CAD Drawings (see page 3) ..... 125.00

PO required \_\_\_\_\_ E-mail address: \_\_\_\_\_

### TOP END FORCE RX HANDCYCLE: RECLINING POSITION

FRCRXA Force RX Competitive 30 speed Handcycle w/adjustable carbon back and bolt-on headrest ..... 6645.00

SEAT WIDTH:  13"  14"  15"  16"  17"  18"  
(inside lower frame: see diagram page 4)

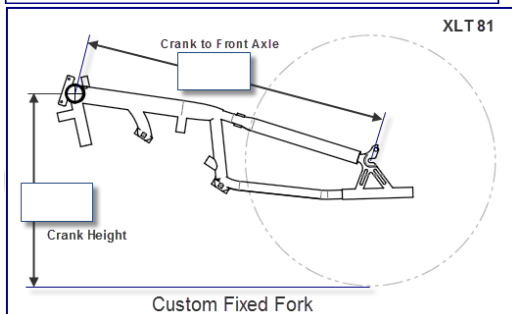
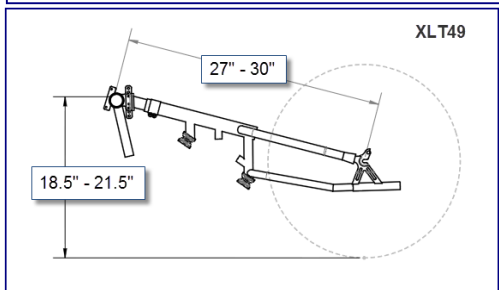
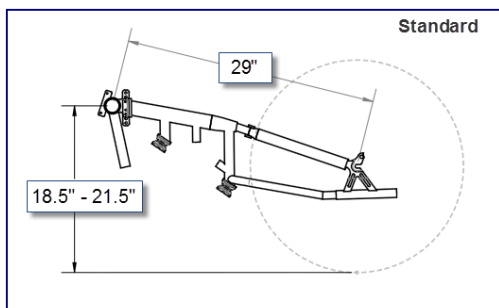
FORK: See diagrams below. Measurements for 26" (571) wheels

Fixed length/Vertical Crank Height Adjustment ..... Standard

XLT 49 Diagonal and Vertical Crank Height Adj. .... 300.00

XLT81 Fixed length and fixed crank height ..... 250.00

(Measurements required on drawing #3 below)



### WHEEL BASE FOR 26" WHEEL:

60" ..... Standard  
62" ..... No Charge

### WHEEL BASE FOR 700C WHEEL:

61" ..... Standard  
63" ..... No Charge

CAMBER: 3° ..... Standard

0° ..... No Charge

### LOWER FORK STYLE:

Aerodynamic Narrow ..... Standard

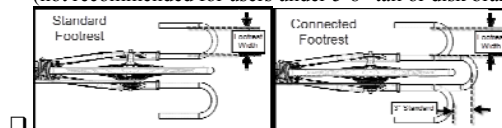
Wide Style (required for disk brakes and XLT 101) ..... No Charge

### DISK BRAKE UPGRADE:

XLT66 Disk Brake: Available with Wide Style fork only and Standard or Corima Wheels only ..... 300.00<sup>6</sup>

### FOOTREST WIDTH: 3 3/4" (Standard) 4 3/4"

XLT83 Connected Footrest with bumper (not recommended for users under 5'8" tall or disk brake) ..... 100.00<sup>7</sup>



### COMPONENT SELECTION:

#### 10 SPEED: STANDARD COMPONENTS X9

SRAM® X9 10 Speed, SRAM 11-36 cassette, SRAM® Derailleur  
Tektro® caliper brakes; Tektro fork mounted locking flip lever parking  
brake, SRAM Hollow Pin Chain ..... Standard  
Right Handle Mount Trigger Shifter and brake lever ..... Standard

XLT 111 Fork Mounted shifter and brake lever ..... 100.00

#### 10 SPEED COMPONENT UPGRADES: (for limited hand function see pg. 2)

XLT79 SRAM® XX 10 Speed Right Handle Mount Shifter and  
Pro Force lever, Torq Lite CNC brake calipers, Torq Lite Fork mounted  
locking flip lever parking brake, SRAM 11-36 cassette  
SRAM® X.X. Derailleur, Hollow Pin Chain, ..... \$750.00  
 XLT82 SRAM® 11-28 Cassette ..... 50.00<sup>3</sup>

#### OR

XLT80 SRAM® APEX 10 speed Fork Mounted Shifter and brake, SRAM  
XX 11-36 cassette, SRAM® X.X Derailleur, Hollow Pin Chain, Pro Force lever,  
Torq Lite CNC brake calipers, Torq Lite Fork mounted locking flip lever  
parking brake ..... \$750.00  
 XLT82 SRAM® 11-28 Cassette ..... 50.00<sup>3</sup>

### FOOTNOTES

<sup>7</sup> Connected footrest with bumper can be custom built upon request for short leg lengths. Not available with disk brake.

# Invacare® Top End® Force RX™ Handcycle

## SHIMANO ELECTRONIC SHIFTING OPTION:

- XLT117** Shimano Di2 Electronic Shifting: Right handpedal mounted shifter (see definitions) ..... \$1750.00
- XLT 118** Shimano Di2 Electronic Shifting: Fork mounted shifter, right side (see definitions) ..... \$1750.00

## UPPER DERAILLEUR:

- Cable driven derailleur** ..... **Standard**
- Manual activated derailleur ..... No Charge

## CHAINRINGS: Operated by crank mounted shifter

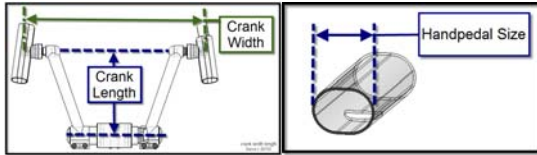
- 48-39-24** ..... **Standard**
- XLT41** Chain ring Option 53-39-28 ..... 100.00
- XLT89** Compact 110 48-34-22 ..... 100.00

## OPTIONS FOR LIMITED HAND FUNCTION/QUADRIPLEGIA:

- XLT98** Quad Cuff Handpedals with Powerplates ..... 200.00
- XLT112\*** QuadGrips Handpedals with wrist activated shifter system mounted on right handpedal & QuadWraps (XLT101 required for these handpedals) ..... 590.00
- XLT101** Double Tap Shifter with standard SRAM X9 components, fork mounted parking brake/front disk brake and additional caliper brake. Double tap shifter is elbow activated except when QuadGrips® Handpedals (XLT 112) are selected. NOTE: Elbow Activated Frame Mounted Brake levers (right operates front Disk Brake/left operates a caliper brake) ..... 600.00

## HANDPEDAL SIZE/ANGLE:

- Angle:** **15 degrees** ..... **Standard**
- XLT90** 25 degree angle ..... 100.00
- Medium Handpedal Size (1 3/4")** ..... **Standard**
- XLT72** Small Handpedal Size (1 1/2") ..... 75.00
- XLT73** Large Handpedal Size (2 1/4") ..... 75.00
- XLT56** Power Plate Upgrade (included with XLT101) ..... 50.00



## CRANK ARMS: (choose length and width for )

- NOTE: If not chosen, standard 170mm x 14" will be shipped**
- Length (mm):  155  160  165  **170 (Std)**  175  180
- Width (inches):  12"  13"  **14" (Std)**  15"  16"
- Width for Quadriplegics (inches):  19"  20"  21" (shoulder width + 3")
- XLT46** Extra crank arms: Length \_\_\_\_\_ Width \_\_\_\_\_ ..... 200.00

## WHEELS: (Threaded Axle Only)

- 26" (571) High performance clincher wheels** ..... **Standard**
- XLT62** 700C Size/High performance clincher wheels .... 375.00  
NOTE: fork length 30", fork height 3/4" more than standard

## TIRES:

- 26" Panaracer Stradius Elite clincher** ..... **Standard**
- 700C Panaracer or Primo Champ clincher** ..... **Standard**

## TIRE UPGRADES:

- XLT51** 26 inch Continental® Grand Prix tires (clincher only) 135.00
- XLT52** 26 inch Continental® Sprinter (tubular only) ..... 125.00
- XLT114** 700C Continental Grand Prix 4000 (clincher only) 125.00
- XLT115** 700C Continental® Sprinter (tubular only) ..... 125.00

## CARBON FIBER WHEEL UPGRADES: (does not include standard wheels)

- XLT75** 26" Top End Carbon (tubular rims with Tufo Jet Special tubular tires) ..... 2350.00

- XLT 78** 26" Top End/Spinergy® Carbon (clincher rims with Panaracer Stradius Elite clincher tires/tubes)..... \$1800
- XLT67** 26" Corima® AERO Carbon (tubular rims with Tufo Jet Special tubular tires) ..... 3000.00
- XLT77** Time Trial Package:  
Front Wheel: 26" Corima® AERO Carbon  
Rear Wheels: 26" Corima Disc  
(tubular rims with Tufo Jet Special tubular tires) ..... 3,250.00
- XLT107** \*\*700C Corima AERO Carbon wheels (tubular rims with Tufo Jet Special tubular tires) ..... 3500.00  
\*\*fork length 30", fork height 3/4" more than standard

## PERFORMANCE UPGRADE:

- XLT60\*** SRM® Training System Triple (3 chainrings) 3,250.00<sup>4</sup>
- XLT92\*** SRM Training System Compact (2 chainrings) 3,250.00<sup>4</sup>

## SAFETY AND COMFORT OPTIONS:

- Seat and Back Cushions** ..... **Standard**
- Drafting bumper, Chain Guard & Safety Flag** **Standard**
- Headrest: adjustable bolt-on** ..... **Standard**
- XLT84** Crank width adaptor set (adds 1.5" per set) ..... 20.00
- XLT71** Tool and Tire Repair Kit ..... 90.00
- XLT16** Extra Safety Flag ..... 30.00
- XLT63** Mirror, Chain Guard Mount ..... 35.00
- XLT13** Water Bottle & Cage ..... 35.00
- XLT28** Backpack Hydration System ..... 100.00
- XLT141** Heart Rate Monitor ..... 100.00
- XLT14** Cordless Computer ..... 125.00
- XLT15** Helmet: select size ..... 75.00  
 Small/ Medium  Medium/Large
- XLT9** Leg Guard Attachment ..... 75.00
- XLT110** Clamp-on Curved Knee Support (each) ..... 35.00
- XLT6** Front Safety Light ..... 25.00
- XLT7** Rear Flashing Light ..... 25.00
- XLT 33** Alignment Gauge ..... 75.00
- XLT20\*** Bike Rack for Trailer Hitch: Choose size ..... 450.00  
 1 1/4"  2"
- XLT40** Cable Kit ..... 35.00
- XLT74** Extra Steering Dampener ..... 10.00
- XLT87\*** LeMond® Revolution™ Trainer w/o power meter 925.00<sup>4</sup>
- RACE70\*** LeMond Training Roller Cassette 11-36 ..... \$50.00
- XLT42\*** Indoor Stationary Trainer ..... 250.00
- TER197** SportCrafters Mini-Roller Trainer ..... 350.00
- XLT126** Click Strap Large (pad length~12") ..... 86.00
- TER125** Click Strap Med (pad length~10") ..... 80.00
- TER124** Click Strap Small (pad length~8") ..... 75.00
- RACE4\*** Wheel Bag ..... 180.00<sup>4</sup>
- RACE20\*** Handcycle Travel Bag ..... 300.00<sup>4</sup>
- RACE13\*** Top End Bike Jersey  L  XL ..... 70.00<sup>4</sup>
- RACE22\*** Top End T-Shirt  L  XL ..... 10.00<sup>4</sup>
- Freight** XLT 20, 42, 87, 97, Race 4 &/or Race20 ..... \$ \_\_\_\_\_

\* Indicates an item where the standard discount does not apply or there are additional shipping charges or both. Please request a quote.

## FRAME AND FORK COLOR

### CONTEMPORARY COLORS

- Stealth Black  Wet Black  White Snow  Silver Metallic

### WAY COOL COLORS

- Royal Blue  Midnight Blue  Grasshopper Green
- Electric Blueberry

### TOO HOT COLORS

- Tangerine Red  Raspberry Red  Grape Madness
- Safety Yellow  Orange  Bubblegum Pink

- P1 Two color option** ..... \$100  
Fork color \_\_\_\_\_ Frame color \_\_\_\_\_

## Special

**Instructions:** \_\_\_\_\_

# Invacare® Top End® Force RX™ Handcycle

## FOOTNOTES:

<sup>3</sup> SRAM 11-28 cassette (XLT 82) only available with XLT79 and XLT80

<sup>4</sup> SRM® Power Meter is a state of the art measuring tool. Triple SRM has 3 standard chainrings and compact has 2 chainrings with a 110mm mounting diameter. Visit SRM.de for more details. The Power Meter is integrated directly into the Top End cranks.

\*Standard discount does not apply to XLT 60, 86, 87 or to RACE options. Additional shipping charges may apply.

<sup>6</sup> Disk brake requires the Wide Style Lower fork. Only available with Standard and Corima Wheels. Options for limited hand function (XLT 101) requires the Wide Style Lower fork because Disk brake is included.

**CAD drawings** are a computer aided design that translate the measurements to a 3D preview. Our experienced draftsman completes each CAD request and will send it back for final approval. The charge for RACE101 is \$125. A separate purchase order is required to begin a CAD and another purchase order is needed to order the product.

**Warranty** – 3 year on frame and fork to original owner/limited parts warranty.

**Frame** – Ovalized 7005 aluminum tubing which is heat treated for increased strength and stiffness. Wrap-around ovalized lower frame. Frame ground clearance is 2.5” for 20” and 26” rear wheels and 3.25” for 700C wheels.

**Fork** – 7005 aluminum, super stiff with adjustable crank housing.

**Wheelbase** – 60” Standard

**Turning Radius** – 18 feet for 360° circle, 12 feet w/one backing maneuver.

**Static Tip Angle** - 39° for 250 lb subject.

**Transfer Seat Height** – 5” with 2” cushion.

**Backrest** – Adjustable fore and aft.

**Back Angle** – Adjustable 30-50 degrees measured with floor=0 degrees.

**Propulsion System** – Features a combination of SRAM and Top End components, 30 speeds, 48-39-24 chain rings and 11/36 cassette as standard. The 12/36 cassette is operated by the Trigger shifter unit which is mounted on the right (standard) hand pedal. It operates both the 12/36 cassette and the hands-on brake. A thumb shifter/derailleur or manual derailleur is mounted on upper crank operates the top chain rings. A parking brake/second brake is mounted on the fork.

**Shimano Di2 Electronic Shifting** – Di2 is a family of electronic shifting components. Electronic shifters are offered on the right handpedal or the fork and operate the front wheel derailleur only. Electronic shifting for the upper chainrings are available as a special request.

**Crank Arms** – Top End V tapered crank arms are standard. To choose the width for the crank arms, consider the end user's shoulder width. The width is measured horizontally center to center to the point at the middle of the hand pedal. Length of crank set depends on the length of the arms. The length is measured perpendicular from the center of the crank to the center of the hand pedal spindle. See diagram on page 1.

**Steering** – Pivot fork steering.

**Fork**– Fixed length with vertical adjustment is standard. Optional diagonal and vertical adjustment is available however this option will be heavier and less stiff than the standard fixed length with vertical adjustment. A custom fork with fixed height and length is also available.

**Hand pedals** – Hand pedals are made of lightweight aluminum and are ovalized to precisely fit the hand. The bearings which allow the pedal to rotate while pedaling are located in the handle and not in the crank arm, which makes this pedal very comfortable. Power Plates consist of flat aluminum plates welded the lower end of the pedal.

### Options for limited hand function OR Quadriplegia:

Quad Cuff Handpedals with Powerplates (XLT98): Feature top and bottom power plates to assist through both the up and down stroke crank rotation, adjustable metal quad cuffs and straps that bolt through top power plate and use hook/loop fastener to attach to quad cuff. The disk brake and caliper brakes are elbow activated. Shifting is also elbow activated unless XLT112\* is selected. QuadGrips Handpedals (XLT112\*): Feature wrist gripping pins for a strong pull, and a wrist actuated double tap shifter on the right handpedal to operate the 10 speed cassette. (XLT101 required for these handpedals) More information can be found at [www.QuadGrips.com](http://www.QuadGrips.com).

**Footrest** – Multi-adjustable fore and aft w/straps to securely cradle calves and feet. Straps are 4” wide and feature safety straps for ankles.

**Performance wheels/Tires**– Black spoked wheels with threaded axles and alloy rims. 14 gauge stainless steel spokes. 26" x 1" (571) High Performance Clincher Tire/Tube- 26” Clincher: Panaracer Stradius Elite 100psi are standard. Optional 700C wheels (both front and rear) are high performance wheels with 700C Clincher tires: Panaracer or Primo Champ are available.

### Carbon Fiber Wheel Upgrades – Threaded axle only

1. 26” Top End Wheels w/Carbon composite rim and stainless spokes. 24 spokes front, 20 spokes rear. 26” Tubular Tire: Tufo Jet Special
2. 26” Spinery Wheels w/Carbon rim. 26” Clincher Tire: Panaracer Stradius Elite
3. 26” Time Trial Package: 26” Corima AERO Front Wheel w/ Carbon/Graphite composite rim and stainless ovalized spokes and Corima® Disc Rear Wheels. 26” Tubular Tire: Tufo Jet Special
4. 26” Corima AERO Wheels w/ Carbon/Graphite composite rim and stainless ovalized spokes. 26” Tubular Tire: Tufo Jet Special
6. 700C Corima AERO Wheels w/ Carbon/Graphite composite rim and stainless ovalized spokes. 700C Tubular Tire: Tufo Jet Special

**Upholstery** – Black breathable mesh upholstery with cervical neck support and 2” seat and back cushion standard. Seat restraint included.

**Assembly** – Shipped completely assembled except for rear wheels. Shipping weight is 65 – 70 lbs.

**Options** – See front of form and go to [www.topendwheelchair.com](http://www.topendwheelchair.com) for detailed photos. Tool bag includes 22 tools in 1, a unique 3 piece design plus tire patch kit, CO2 tire inflators; tire changing tools and zippered tool bag. Everything you need all in one handy pouch.

**FRCRXA5 (\$6100 retail)** is the code for ordering the Force RX Handcycle **without ANY front or rear wheels** and are supplied by the athlete or the provider. The cassette is included. Please note in Special Instructions and indicate wheel size. Pricing for 700C wheels applies (XLT62) if standard 26” wheels are not chosen.

**Invacare Corporation** [www.invacare.com](http://www.invacare.com)

**TOP END**  
Sports and Recreation  
Products  
4501 63<sup>rd</sup> Circle North  
Pinellas Park, FL USA  
33781-5914

All rights reserved. Trademarks are identified by the symbols ™ and ®. All trademarks are owned by or licensed to Invacare Corporation unless otherwise noted. Shimano and Rapid Fire are registered trademarks of Shimano Inc. Spinergy is a registered trademark of Spinergy Inc. Zipp is a registered trademark of Compositelch, Inc. Cane Creek is a registered trademark of Cane Creek Cycling Components. Corima is a registered trademark of Corima SA. SRM is a registered trademark of SRM Service Center Inc. USA SRAM is a registered trademark of SRAM Corp. Continental is a registered trademark of Continental Corp. Rotor is a registered trademark of Rotor Components, LLC. LeMond and Revolution are a registered trademarks of Lemond Fitness, Inc. QuadGrips.com is a registered trademark of Quad grips.com.

©2016 Invacare Corporation

Form No. 12-381 Rev 01.16  
P2007-029

## Invacare® Top End® Force RX™ Handcycle

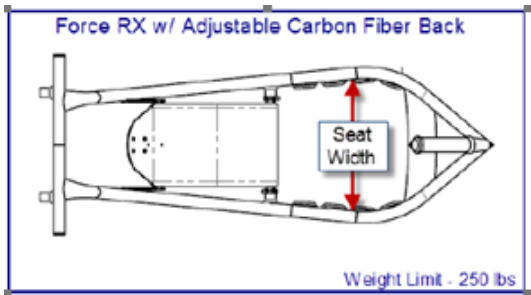


Diagram 3

**Invacare Corporation** [www.invacare.com](http://www.invacare.com)

### **TOP END**

Sports and Recreation  
Products  
4501 63<sup>rd</sup> Circle North  
Pinellas Park, FL USA  
33781-5914

All rights reserved. Trademarks are identified by the symbols <sup>TM</sup> and ®. All trademarks are owned by or licensed to Invacare Corporation unless otherwise noted. Shimano and Rapid Fire are registered trademarks of Shimano Inc. Spinegy is a registered trademark of Spinegy Inc. Zipp is a registered trademark of Compositech, Inc. Cane Creek is a registered trademark of Cane Creek Cycling Components. Corima is a registered trademark of Corima SA. SRM is a registered trademark of SRM Service Center Inc. USA SRAM is a registered trademark of SRAM Corp. Continental is a registered trademark of Continental Corp. Rotor is a registered trademark of Rotor Components, LLC. LeMond and Revolution are a registered trademarks of Lemond Fitness, Inc. QuadGrips.com is a registered trademark of Quad grips.com.

©2016 Invacare Corporation

Form No. 12-381 Rev 01.16  
P2007-029