

Invacare® Homecare Beds

5411IVC, 5410IVC, 5311IVC, 5310IVC, 5307IVC,
5411LowIVC, 5410LowIVC

en User Manual



This manual **MUST** be given to the user of the product.
BEFORE using this product, read this manual and save for future reference.



Yes, you can.®

© 2016 Invacare® Corporation

All rights reserved. Republication, duplication or modification in whole or in part is prohibited without prior written permission from Invacare. Trademarks are identified by ™ and ®. All trademarks are owned by or licensed to Invacare Corporation or its subsidiaries unless otherwise noted.

Making Life's Experiences Possible is a trademark in the U.S.A.

Contents

I General	4
1.1 Symbols	4
1.2 Intended Use	4
2 Overview	5
2.1 Label Locations	5
2.2 Technical Specifications	5
2.3 Accessories and Accessory Weight	7
3 Safety	8
3.1 General Guidelines	8
3.2 Operating Information	14
3.3 Servicing Double-Insulated Products	15
3.4 Disposal	16
4 Set-up	17
4.1 Receiving	17
4.2 Unpacking	17
4.3 Inspecting	19
4.4 Assembling the Head and Foot Spring Sections	20
4.5 Assembling the Spring Fabric	21
4.6 Adjusting and Reconnecting the Head Section Pull Tube	21
4.7 Installing the Casters	22
4.8 Assembling the Universal Bed Ends	23
4.9 Installing Low Bed Ends	24
4.9.1 Installing the Casters onto the Low Bed Ends	24
4.10 Assembling/Installing/Removing Drive Shaft	25
4.11 Inspecting the Bed	26
4.11.1 Installing/Removing Cable Lock	28
4.11.2 Installing the Manual Crank for Hi/Lo Function	28

4.11.3 Installing/Removing the Pendant	29
4.12 Storing the Bed	29
5 Operation	30
5.1 Bed Operation and Component Overview	30
5.2 Operating Full Electric Bed	32
5.3 Operating the Semi-Electric Bed	33
5.3.1 Using the Emergency Crank	34
5.4 Operating the Manual Bed	35
5.5 Optional Bed Rails	35
6 Maintenance	37
6.1 Service Life	37
6.2 Wear and Tear Items	37
6.3 Cleaning the Bed	38
6.4 Maintenance and Cleaning Checklist	39
7 Troubleshooting	41
7.1 Troubleshooting Mechanical	41
7.2 Troubleshooting Electrical	42
8 Warranty	43
8.1 Limited Warranty	43

I General

I.1 Symbols

Signal words are used in this manual and apply to hazards or unsafe practices which could result in personal injury or property damage. Refer to the table below for definitions of the signal words.



DANGER!

– Danger indicates an imminently hazardous situation which, if not avoided, will result in death or serious injury.



WARNING!

– Warning indicates a potentially hazardous situation which, if not avoided, could result in death or serious injury.



CAUTION!

– Caution indicates a potentially hazardous situation which, if not avoided, may result in property damage.



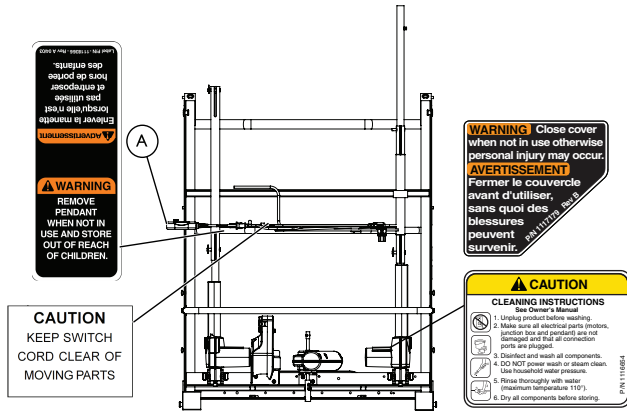
Gives useful tips, recommendations and information for efficient, trouble-free use.


I.2 Intended Use


The bed is intended to be used as a mattress support system. The bed allows for articulation of the head and foot sections to provide different positions for the patient. It is intended to be used in home care and long term care facilities.

2 Overview

2.1 Label Locations



 Underside of bed shown.

 Warning Label 1117179 Rev B located on the gearbox (not shown).

 A = Pendant cord

2.2 Technical Specifications

Full Electric 5410IVC, 541IIVC

SHIPPING WEIGHT	176.5 lbs (80.1 kg)
WEIGHT CAPACITY	
OCCUPANT	350 lbs (159 kg)
SAFE WORKING LOAD	450 lbs (204 kg)
OVERALL LENGTH	88 in (223.4 cm)
OVERALL HEIGHT	36 in (91.4 cm)
SPLIT SPRING TO ENDS	
HEAD	43 in (109.2 cm)
FOOT	45 in (114.3 cm)
ADJUSTMENT RANGE	
DECK	15 in (38 cm) ± 2 in to 23 in (58.3 cm) ± 2 in
BED END	26 ¼ in (66.7 cm) to 33 ¾ in (85.7 cm)
COMPONENTS	Head Spring, Universal Bed Ends, Foot Spring Three Motors

Semi-Electric Single Crank Hi/Lo 5310IVC, 5311IVC

SHIPPING WEIGHT	172 lbs (78.0 kg)
WEIGHT CAPACITY	
OCCUPANT	350 lbs (159 kg)
SAFE WORKING LOAD	450 lbs (204 kg)
OVERALL LENGTH	88 in (223.4 cm)
OVERALL HEIGHT	36 in (91.4 cm)
SPLIT SPRINGS TO ENDS	
HEAD	43 in (109.2 cm)
FOOT	45 in (114.3 cm)
ADJUSTMENT RANGE	
DECK	15 in (38 cm) ± 2 in to 23 in (58.3 cm) ± 2 in
BED END	26 ¼ in (66.7 cm) to 33 ¾ in (85.7 cm)
COMPONENTS	Head Spring, Universal Bed Ends, Foot Spring Two Motors

Manual Single Crank-Hi/Lo 5307IVC

SHIPPING WEIGHT	161.5 lbs (73.3 kg)
WEIGHT CAPACITY	
OCCUPANT	350 lbs (159 kg)
SAFE WORKING LOAD	450 lbs (204 kg)
OVERALL LENGTH	88 in (223.4 cm)
OVERALL HEIGHT	36 in (91.4 cm)
SPLIT SPRINGS TO ENDS	
HEAD	43 in (109.2 cm)
FOOT	45 in (114.3 cm)
ADJUSTMENT RANGE	
DECK	15 in (38 cm) ± 2 in to 23 in (58.3 cm) ± 2 in
BED END	26 ¼ in (66.7 cm) to 33 ¾ in (85.7 cm)
COMPONENTS	Head Spring, Universal Bed Ends, Foot Spring Two Crank

2.3 Accessories and Accessory Weight



WARNING!

Risk of Injury or Damage

To avoid injury or damage from misuse:

- DO NOT install the accessories without reading and understanding all of the instructions in the instruction sheet that accompanies them.

Accessories are subject to change. Contact Dealer or Invacare for current list		
DESCRIPTION	MODEL NUMBER	WEIGHT
BED RAIL, FULL	6629	28 lbs (12.7 kg)
BED RAIL, HALF LENGTH	6630	29 lbs (13.1 kg)
ASSIST RAIL	6632	24 lbs (10.91 kg)
TRAPEZE	7740P	25 lbs (11.3 kg)
MATTRESS	5180	20 lbs (9.1 kg)
	5184	26 lbs (11.8 kg)
	5185	30 lbs (13.6 kg)
	5185XL	30 lbs (13.6 kg)

Accessories are subject to change. Contact Dealer or Invacare for current list		
DESCRIPTION	MODEL NUMBER	WEIGHT
MATTRESS	Solace Series, Softform Series	23–31 lbs (10.4–14.1 kg) varies depending on model
	microAir Series	17–56 lbs (7.7–25.4 kg) varies depending on model
STOR A BED	5142	8 lbs (3.6 kg)
BED EXTENDER, CENTER	5143	8 lbs (3.6 kg)
BED EXTENDER, HEAD END	5143A	19 lbs (8.6 kg)

3 Safety

3.1 General Guidelines



DANGER!

Risk Of Death, Injury, Or Damage

Improper use of this product may cause injury or damage.

- If you are unable to understand the warnings, cautions or instructions, contact a healthcare professional, dealer or technical personnel before attempting to use this equipment.
- Do not use this product or any available optional equipment without first completely reading and understanding these instructions and any additional instructional material such as user manuals, service manuals or instruction sheets supplied with this product or optional equipment.

Continued use of the product with damaged parts could lead to the product malfunctioning, causing injury to the user and/or caregiver.

- Check ALL product components and carton for damage, and test components before use. DO NOT use product if components are damaged or if product is not working properly. Contact a qualified technician or Invacare for repair.

To avoid injury or product damage:

- Set-up and Assembly instructions MUST be performed by qualified technicians only. “Qualified Technician Only” sections are marked accordingly.



THE INFORMATION CONTAINED IN THIS DOCUMENT IS SUBJECT TO CHANGE WITHOUT NOTICE.



DANGER!

Risk Of Death, Injury, Or Damage

Lighted cigarettes can cause a fire or other related hazards resulting in death, injury, or damage.

- Do not smoke while using this product.
- Do not allow others to smoke near this product.



DANGER!

Risk Of Death, Injury, Or Damage

Bed accessories designed by other manufacturers have NOT been tested by Invacare. Use of NON-Invacare bed accessories may result in injury or death.

- Use ONLY Invacare rails, mattresses, bed extenders and other accessories with Invacare bed products.



DANGER!

Risk Of Injury Or Death

To reduce the risk of electrical shock:

- Always unplug the product from the electrical outlet before cleaning.

**DANGER!****Risk Of Death, Injury, Or Damage**

To reduce the risk of shock:

- Unplug from the outlet before servicing.
- Close supervision is necessary when the product is used by, or near children and/or disabled persons.
- Use this product only for its intended use as described in these instructions. **DO NOT** use attachments not recommended by the manufacturer.
- If liquid is spilled in or around the product, unplug before cleaning. Clean up the spill and allow the product or the area around the product to dry thoroughly before using the controls again.

**DANGER!****Risk Of Death, Injury, Or Damage**

To avoid shock, product damage and personal injury:

- **DO NOT** use outdoors.
- Connect this product to a properly grounded outlet only. Refer to Operation.
- **DO NOT** place video equipment such as televisions or computer monitors on product.

Operating Information**DANGER!****Risk Of Death, Injury, Or Damage**

To avoid injury or damage when operating product:

- After any adjustments, repair or service and before use, make sure all attaching hardware is tightened securely.
- Close supervision is necessary when the product is used near children or pets **OR** when this product is operated by or near people with physical/mental disabilities. Physically challenged individuals who cannot prevent themselves from rolling/climbing out of the product may require alternative safe means of restraint.
- The product is not designed to be used as a patient transport. When transporting a patient, use an approved patient transport. Otherwise, injury or damage may result.



DANGER!

Risk Of Injury Or Damage

To avoid injury or damage when operating/moving bed:

- ALWAYS ensure that the individual utilizing the bed is positioned properly within the confines of the bed. DO NOT let any extremities protrude over the side or between the bed rails when performing these functions.
- Be aware of potential pinch points when operating bed rails or other accessories.
- Make sure head and foot springs/sections are connected securely to the bed ends before use.
- The bed is equipped with locking casters. Before using the bed, test the wheel locks to ensure casters lock correctly. When transferring into or out of the bed, ALWAYS lock the casters. Even with casters properly locked, some flooring surfaces (such as tile or wood,) will allow the bed to move under some conditions. Using the bed on these types of surfaces MUST be evaluated by the care provider. DO NOT transfer occupant if bed is not stable. Otherwise, injury and/or damage may occur.
- DO NOT move product with locking casters in LOCKED position.



DANGER!

Risk Of Death, Injury, Or Damage

To avoid pinching, crush and collapse hazards from bed deck contact with objects under the bed:

- DO NOT place any objects or let any individual underneath the bed or in between the raised bed frame components at any time.

To avoid choking from small detachable parts contained underneath the bed:

- Closely supervise children, pets, or people with physical/mental disabilities.



Refer to the **Bed Rail Entrapment Risk Notification Guide** at www.invacare.com for additional safety information.



DANGER!

Risk Of Death, Injury, Or Damage

Patient entrapment from the use of bed side rails may cause injury or death. To avoid patient entrapment:

- The Invacare mattress MUST fit firmly against the bed frame AND bed side rails to prevent patient entrapment. Follow the manufacturer's instructions. Monitor patient frequently. Read and understand the User Manual prior to using the Invacare bed and bed rails. User manuals are available at www.invacare.com or your dealer.
- After any adjustments, repair or service and before use, make sure all attaching hardware is tightened securely.
- Mattress platform, bed ends, pendant, and accessories are applied parts.

**DANGER!****Risk Of Death, Injury, Or Damage**

Conditions such as restlessness, mental deterioration and dementia or seizure disorders (uncontrolled body movement), sleeping problems, and incontinence can significantly impact a patient's risk of entrapment. Pediatric patients or patients with small body size may also have an increased risk of entrapment.

- Monitor patients with these conditions frequently.
- Place the mattress deck in the flat position when left unattended.

**WARNING!****Risk Of Injury Or Adverse Health Consequences**

Fall hazard exists due to bed height.

- Always leave bed in lowest height when unattended.

Replacement Parts/Accessories**DANGER!****Risk Of Death, Injury, Or Damage**

To avoid fire hazards and tubing entanglement:

- Use masked or nasal type oxygen administering equipment only in conjunction with the manual/electric bed. The use of any other type of oxygen administering equipment can result in a fire hazard.
- When using nasal or masked type oxygen administering equipment, the oxygen or air tubing **MUST** be routed and secured properly to ensure that the tubing does not become entangled and/or severed during normal operation of manual/electric bed.
- Do not use this bed in Active Treatment “Ether Environments.”

**DANGER!****Risk Of Death, Injury, Or Damage**

To avoid fire hazards, injury or damage:

- **DO NOT** use product with flammable gases. Explosion may occur.

**WARNING!****Risk Of Injury Or Damage**

To avoid injury or damage from misuse or entrapment:

- Read and understand the instructions or label provided with mattress.
- If you do not understand the instructions or if instructions are missing, contact the mattress manufacturer.

**DANGER!****Risk Of Death, Injury, Or Damage**

To avoid entrapment, product damage, and/or personal injury:

- Invacare recommends that the mattress be centered on the bed frame. Otherwise, individuals may become trapped between the bed rail and the bed frame.
- **ALWAYS** test to make sure that the side rails are properly and securely in place before using. Otherwise, injury or damage may occur.



DANGER!

Risk Of Injury Or Adverse Health Consequences

Fall hazard exists due to use of NON-Invacare mattresses. Non-Invacare mattresses are potentially incompatible with Invacare beds.

- To avoid injury, ensure that only Invacare mattresses are used with Invacare beds at all times.



DANGER!

Risk Of Death or Injury

An increased risk of patient entrapment may occur over time due to mattress compression.

- Periodically monitor gaps between the bed, mattress, and/or bed rail. Where gaps occur, patient entrapment is possible and the mattress should be replaced.



DANGER!

Risk Of Death, Injury, Or Damage

To avoid entrapment, product damage, and/or personal injury:

- When used with a manual/electric bed, the bed rails DO NOT fall under any weight limitations. Bed rails can be deformed or broken if excessive side pressure is exerted on the bed rails. These bed rails are used for the purpose of preventing an individual from inadvertently rolling out of bed. The bed rails are not intended nor may be used for restraint purposes. If an individual is capable of injuring himself/herself, a physician or a healthcare professional should be consulted for alternative means of safe restraint.
- After raising/lowering the head/foot end of the electric bed, check the distance between the bottom of the bed rail and the mattress. If there is excessive distance between the bottom of the bed rail and the mattress in which individuals may become entangled, adjust the height of the bed rail (if applicable), or provide alternative means of patient protection.
- DO NOT use the side rails as push handles for moving the electric bed.
- Replacement mattresses and bed side rails with dimensions different from the original equipment supplied or specified by the bed frame manufacturer are not interchangeable. Variations in bed side rail design, width and thickness or firmness of the mattress could cause/contribute to entrapment.

Electrical



WARNING!

Risk Of Death, Injury, Or Damage

Shock hazards and risk of fire exist due to use of improper extension cord and use of three prong adapters.

- To avoid injury or product damage, when using an extension cord, use only a UL approved three prong extension cord having at least 16 AWG (American Wire Gauge) wire and the same or higher electrical rating as the product being connected.

To reduce the risk of electric shock, this furnishing has a polarized plug (one blade is wider than the other). This plug will fit in a polarized outlet only one way.

- If the plug does not fit fully in the outlet, reverse the plug. If it still does not fit, contact a qualified electrician to install the proper outlet.
- DO NOT change the plug in any way.



WARNING!

Risk Of Injury Or Damage

To avoid product damage and personal injury:

- Disconnect pendant when not in use and store out of reach of children.

Grounding Information



WARNING!

Risk Of Injury or Damage

To avoid injury or damage from improper grounding or using damaged parts:

- DO NOT operate the product if the cord or outlet is damaged.
- DO NOT operate the product if any motor has malfunctioned or is damaged in any manner.

Radio Frequency Interference



Use of portable and mobile RF communications equipment can affect medical electrical equipment



WARNING!

Risk Of Product Damage

Electronic equipment may be influenced by Radio Frequency Interference (RFI).

- Caution should be exercised with regard to the use of portable communications equipment in the area around such equipment.
- If RFI causes erratic behavior, unplug the product immediately. Leave unplugged while transmission is in progress.



WARNING!

Risk Of Product Damage

The use of accessories, transducers, cords and cables other than those specified by the manufacturer, may result in increased emissions or decreased immunity of this bed

- This product should not be used adjacent to or stacked with other equipment and that if adjacent or stacked use is necessary, this product should be observed to verify normal operation in the configuration in which it will be used.

Weight Limitations



DANGER!

Risk Of Death, Injury, Or Damage

To avoid bed collapse and resulting injury or damage:

- The weight limit of the occupant of the bed CANNOT exceed 350 lbs (159 kg). The TOTAL weight limit of the bed (including accessories, mattress, occupant and any other objects positioned on the bed) cannot exceed 450 lbs (204 kg) (Safe Working Load).
- NEVER permit more than one person on the bed at any time.
- Body weight should be evenly distributed over the surface of the bed. DO NOT lay, sit or lean in such a way that your entire body weight is placed only on raised head or foot sections of the bed. This includes when repositioning or transferring in or out of bed.

3.2 Operating Information



DANGER!

Risk Of Death, Injury, Or Damage

To avoid electrical damage, product damage, shock and/or personal injury:

- DO NOT unplug power cord from junction box.
- When bed is not to be used for an extended period, unplug electric bed from the wall outlet.
- Keep all bed components and accessories a minimum of 12 inches away from hot or heated surfaces.
- DO NOT use near explosive gases.



DANGER!

Risk Of Death, Injury, Or Damage

To avoid product damage and/or personal injury from fall or entrapment

- Invacare recommends the use of mattress keepers.

**DANGER!****Risk Of Injury Or Adverse Health Consequences**

Fall hazard exists due to incorrect installation of bed rails

- To avoid injury, ensure that the Invacare bed rails are installed correctly and securely attached to the bed while entering or exiting.

Fall hazard exists due to use of NON-Invacare bed rails. Non-Invacare bed rails are potentially incompatible with Invacare beds.

- To avoid injury, ensure that only Invacare bed rails are used with Invacare beds at all times.

Fall hazard exists due to use of NON-Invacare mattresses. Non-Invacare mattresses are potentially incompatible with Invacare beds.

- To avoid injury, ensure that only Invacare mattresses are used with Invacare beds at all times.

**DANGER!****Risk Of Death, Injury, Or Damage**

To avoid serious injury or product damage due to tripping hazards, strangulation hazards, and/or entangled, pinched, or severed cords:

- Ensure that all cord(s) are routed and secured properly.
- Keep all moving parts, including the main frame, mattress deck, and all drive shafts, free of obstruction (i.e. blankets/sheets, tubing, wiring, cords, etc.) during operation of the Homecare Bed. Otherwise, entanglement with bed components or bed collapse may cause damage and/or injury.

**WARNING!****Risk of Injury or Damage**

To avoid the crank(s) turning while the motor is on and causing personal injury or damage to the bed:

- ALWAYS remove manual crank(s) before performing electronic functions.

**WARNING!****Risk Of Injury Or Damage**

If the Homecare bed must be lowered manually due to a power outage or an electronic malfunction, an emergency crank is provided for this purpose. To avoid injury or damage while using the emergency crank:

- Do not use the emergency crank to raise the bed.

3.3 Servicing Double-Insulated Products

Protection to the user against electrical shock hazard is provided by using double insulated construction. Servicing a double-insulated product requires extreme care and knowledge of the system, and is to be done only by qualified service personnel. Replacement parts for a double-insulated product must be identical to the parts they replace. A double-insulated product is marked with the words “DOUBLE INSULATION” or “DOUBLE INSULATED” or the double insulated symbol.



3.4 Disposal

Follow local governing ordinances and recycling plans regarding disposal of the product or components normally used in operation. The product does not generate waste or residue in operation. Any accessories not part of the product **MUST** be handled in accordance with the individual product marking for disposal.

This product has been supplied from an environmentally aware manufacturer that complies with the Waste Electrical and Electronic Equipment (WEEE) Directive 2012/19/EC.

This product may contain substances that could be harmful to the environment if disposed of in places (landfills) that are not appropriate according to legislation.

Please be environmentally responsible and recycle this product through your recycling facility at its end of life.

4 Set-up

4.1 Receiving



WARNING!

Risk of Injury or Damage

“Qualified Technician Only” sections are marked accordingly.

- Set-up and Assembly instructions **MUST** be performed by qualified technicians only.

1. Count cartons before signing shipping papers.
2. Designate someone at the facility to receive and inspect all merchandise. Use the master order acknowledgment to check off items as they are received.
3. Compare the number of cartons shipped with the number of cartons actually received and note such on the consignee copy of the freight bill. Make sure to have the truck driver sign the copy acknowledging the count.
4. If shortage occurs, **IMMEDIATELY** contact Invacare Customer Service department at (800) 333-6900.

4.2 Unpacking



DANGER!

Risk of Injury or Damage

Continued use of the product with damaged parts could lead to the bed malfunctioning, causing injury to the user and/or caregiver.

- Check ALL product components and carton for damage, and test components before use. In case of damage or if the product is not working properly, contact a qualified technician or Invacare for repair.
- Any modifications to the Homecare Beds are strictly prohibited.



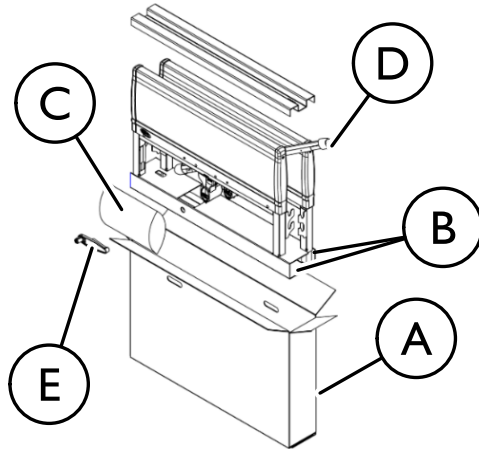
WARNING!

Risk of Injury or Damage

To avoid damage or personal injury:

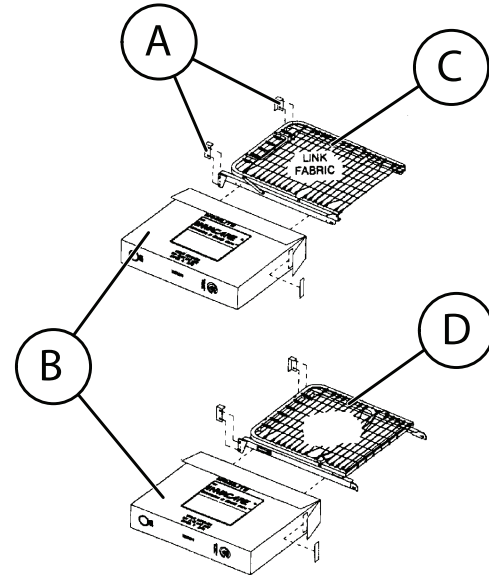
- **DO NOT** plug the power cord into a power source until assembly is complete.
- **DO NOT** attempt to operate bed controls prior to completion of assembly.

Unpacking the Bed Ends



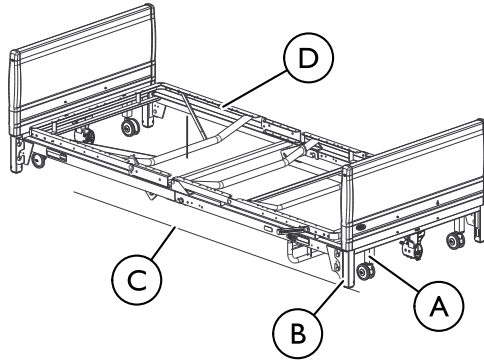
1. Remove any loose packing from the carton (A).
2. Bed End carton (A) includes:
 - Two Universal Bed Ends (B)
 - Four Casters (two locking and two non-locking casters) (C)
 - One Drive Shaft Assembly in two pieces (D)
 - One Hand Crank (E)

Unpacking Foot and Head Spring Sections



1. Remove any loose packing (A) from the carton (B).
2. Foot Spring Section carton includes:
 - One Foot Spring (C) (electric beds include pendent, junction box with power cord, and head, foot and hi/lo [full electric only] motors with cables) .
 - One emergency crank handle (electric beds ONLY).
3. Head Spring Section carton includes:
 - One Head Spring (D).

Optional Low Bed End Kit



This kit includes the following:

- Two Universal Low Bed Ends.
- Four Casters (two locking and two non-locking casters).
- One Drive Shaft Assembly in two pieces.

Height Range is as follows:

- With casters installed in position **A**, the height range is 9½ to 20 inches.
- With casters installed in position **B** (outer bed legs), the height range is 12 to 23 inches.



Measurements taken from floor **C** to bed deck **D**.

4.3 Inspecting



DANGER!

Risk Of Injury Or Damage

To avoid injury or damage, inspect the following and contact a qualified technician or Invacare if any of the following issues are present:

- Pendant covering is cracked or damaged.
- Power cord or plug have cuts or damage.
- Motor cables have cuts or damage.
- Junction box or connectors are damaged.



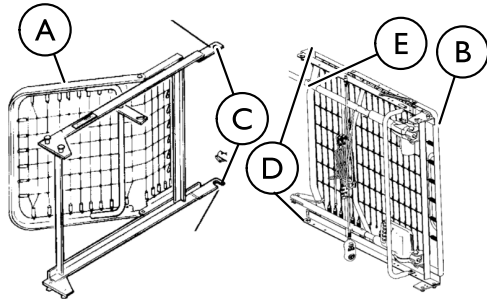
DANGER!

Risk Of Injury Or Damage

To avoid injury or damage:

- Ensure that the connectors are plugged into the junction box and fit properly.

4.4 Assembling the Head and Foot Spring Sections

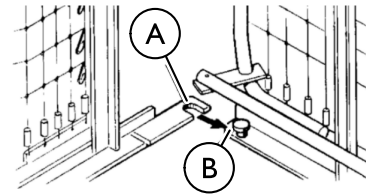


1. Remove the head spring section (5000 IVC) **A** of the bed from the packing carton.
2. Place the head spring section on its side to your left so the center mounting latches **C** are on the right.
3. Open the head spring section to a 45° to 90° angle to support the spring section.
4. Remove the foot spring section **B** of the bed from the packing carton.
5. Place the foot spring section on its side on your right with the head spring pull tube **E** at the top of the assembly. The center mounting rivets **D** should be on the left.

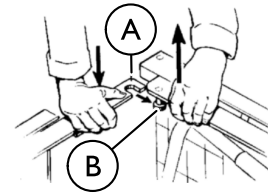


For set-up purposes, the motors on the semi-electric (5890IVC and 5891IVC) and full electric (5490IVC and 5491IVC) foot springs as well as the crank handles on the manual foot springs (5770IVC) should be on your right.

6. Place the head and foot springs approximately 90° from each other.



7. Hook the bottom head spring center mounting latch **A** to the bottom foot spring center mounting rivet **B**.



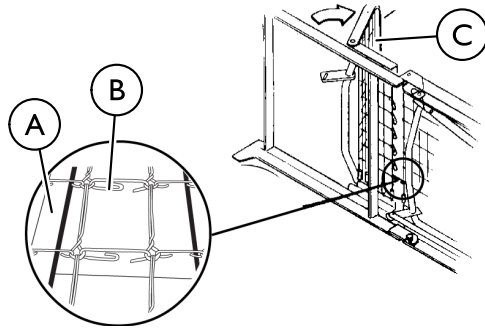
8. Hook the top head spring center mounting latch **A** to the top foot spring center mounting rivet **B**.



It may be necessary to lift the head spring or foot spring slightly to secure the mounting latches and rivets.

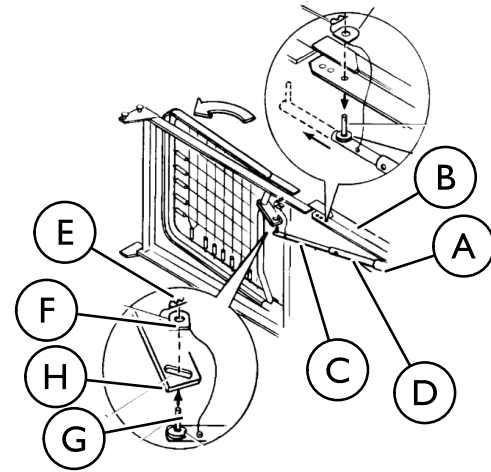
9. After head and foot springs are connected, push the springs into a horizontal (straight) position while keeping the springs on their sides.

4.5 Assembling the Spring Fabric



1. Lift the head spring © away from the bed frame to give slack to the fabric.
2. Connect the spring fabric Ⓐ together with the links Ⓑ provided.

4.6 Adjusting and Reconnecting the Head Section Pull Tube



1. To disconnect the head pull tube assembly Ⓐ from the side frame of the foot spring, remove the hitch pin Ⓔ and grommet/washer Ⓕ from the clevis pin Ⓖ.
2. Extend the inner pull tube shaft © manually until the spring button "clicks" into the adjustment hole of the outer pull tube Ⓓ.
3. Connect the pull tube end assembly Ⓐ to the lift arm of the head spring as follows:
 - a. Insert the clevis pin Ⓖ into the lift arm slot Ⓗ.
 - b. Replace the grommet/washer Ⓕ.
 - c. Secure with hitch pin Ⓔ.

4.7 Installing the Casters

If low bed ends were ordered, proceed to 4.9 Installing Low Bed Ends, page 24, instead of performing this procedure.



WARNING! **Risk of Injury or Damage**

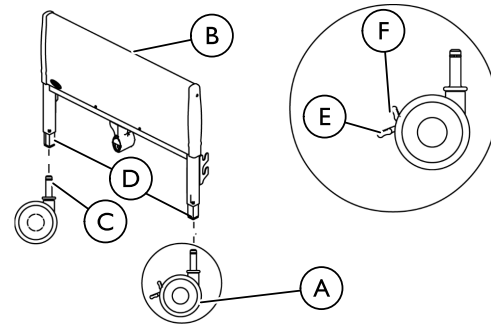
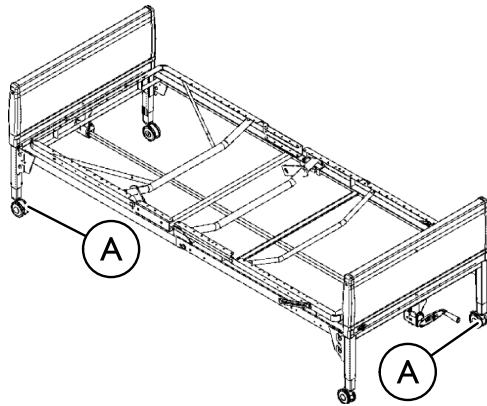
To avoid damage or personal injury from instability:
– Ensure that the locking casters are installed diagonally from each other and are locked.




ALWAYS locate locking casters in the same location on each bed end so that they will always be assembled diagonally opposite each other when inventory is mixed.



If two locking casters are not included with the bed, contact a qualified dealer.



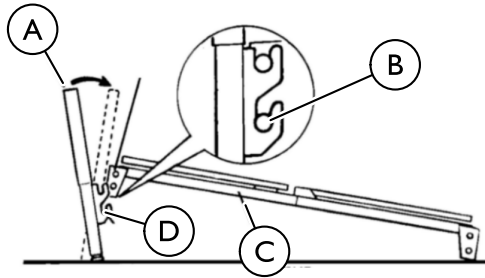
1. To install casters **A**, lay the bed ends **B** flat on the floor.
2. Insert the shaft of caster assembly **C** into the caster socket **D**.
3. To prevent excess movement of the bed during assembly, lock each of the two locking casters by pushing down on the caster lock. **E**
 Locking the casters may not prevent the bed from moving on slick or slippery surfaces.
4. To unlock each of the two locking casters, pull up on the caster lock **F**.

4.8 Assembling the Universal Bed Ends



Invacare recommends that two people perform this procedure.

Before assembling bed, ensure that the locking casters are attached to the universal bed ends diagonally across from each other.



1. Stand one bed end (A) as close to the head spring section (C) as possible.
2. Grasp the head spring section by the side and raise it until the rivets on the corner plates of the spring section are high enough to place into the corner locks (D) on the bed end.



WARNING!

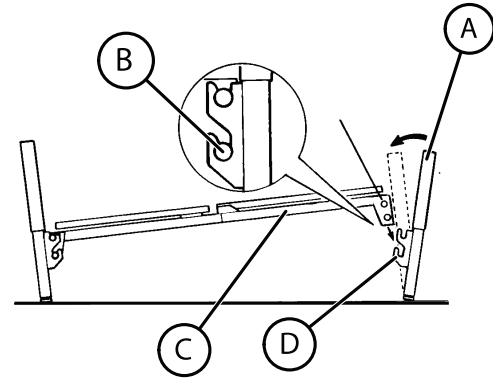
Risk of Injury or Damage

To avoid injury or damage from misuse:

- DO NOT place your hand between the spring section and the universal bed end while assembling the universal bed ends.


3. Tilt the bed end toward the head spring section and place the rivets (B) into the corner locks.

4. Return the universal bed end to its full upright position. The head spring rivets will lock into place.
5. Repeat the same procedure for other universal bed end.



4.9 Installing Low Bed Ends

The low height feature of the Low Bed Ends creates specific use requirements that are different from the Universal Bed Ends.

 Prior to using other Invacare accessories, ALWAYS verify proper placement of these products to allow for unobstructed and proper use in accordance with their respective user manuals.



WARNING!

Risk of Injury or Damage

To avoid injury from misuse:

- Low bed ends are designed to be used with Invacare full electric foot spring 5490LOW and head spring 5000IVC.



CAUTION!

Risk of Damage

The Low Bed Ends are designed to be used in pairs. If not used as a pair, bed will not sit level and will not work properly possibly resulting in damage to the bed.

- DO NOT combine low bed end with any other bed end.

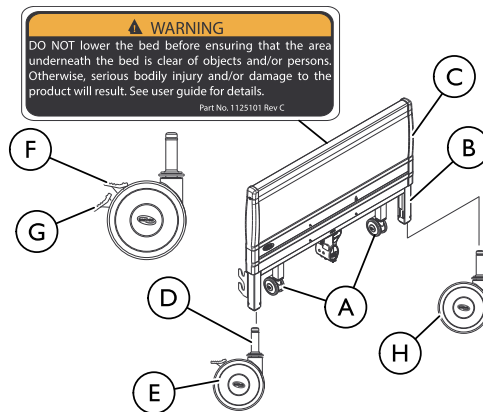
4.9.1 Installing the Casters onto the Low Bed Ends



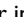
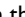




On low bed, casters only operate when bed is in lowest position.

Always install locking caster in the same location on each bed end so that they will always be diagonally opposite each other when bed is assembled.



If two (2) locking casters are NOT included with the bed, contact a qualified dealer.



1. Determine desired bed height position. Install casters  in either the caster sockets  or in the bed legs  for increased bed height.
2. Install casters by first laying the bed ends  flat on the floor.
3. Insert the shaft  of caster assembly into the caster socket.
4. To prevent excess movement of the bed during assembly, lock the two (2) locking casters by pushing DOWN on the caster lock .



Locking the casters may NOT prevent the bed from moving on slick or slippery surfaces.

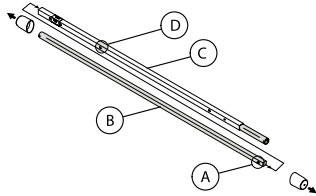
5. To unlock the two (2) locking casters , pull UP on the caster lock .
6. Refer to 4.8 Assembling the Universal Bed Ends, page 23 for instructions on how to install Low Bed Ends.

4.10 Assembling/Installing/Removing Drive Shaft

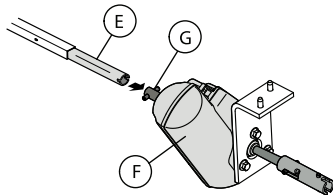


Reverse this procedure to remove the drive shaft.

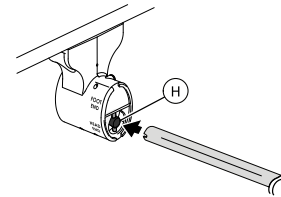
The drive shaft for Hi/Lo function consists of two sections that are shipped unassembled. The inner drive shaft has a positioning spring button, and the outer drive shaft has multiple holes and a spring-loaded end.



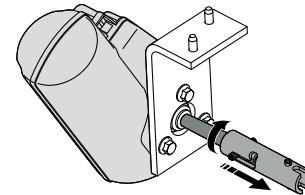
1. Remove the plastic caps from each end of the drive shaft.
2. Press the spring button (A) on the inner drive shaft (B) and insert the inner drive shaft into the outer drive shaft (C).
3. Engage the spring button into the third positioning hole (D).



4. Push in on the spring loaded end of the drive shaft (E) and attach to the Hi/Lo motor (F) output shaft (G).



5. Attach the drive shaft to the gear box head end (H) (bottom opening) at the head end of the bed.
6. Ensure the Hi/Lo motor output shaft spring-loaded coupler is properly aligned with the foot end gear box.



7. Release the Hi/Lo motor output shaft spring-loaded coupler by pushing in against the Hi/Lo motor output shaft spring-loaded coupler and turning clockwise.



The coupling will release and engage the foot end top gear box output shaft cross pins.

8. Ensure that all components are securely installed



WARNING!
Risk Of Damage

To avoid product damage:

- DO NOT open assemblies such as the motors, pendant, junction boxes or gear boxes. No user serviceable parts are inside. Contact dealer or Invacare for repair/replacement.
- Ensure gear box cover and all other assemblies are closed.
- Unplug the power cord from its power source before performing any maintenance on the product. DO NOT unplug the power cord from the junction box. Damage to cord will result.

4.1.1 Inspecting the Bed Electric Beds



WARNING!
Risk of Injury or Damage

To avoid injury or damage

- When installing any connectors into the junction box, be sure the cable lock is secure after installation.



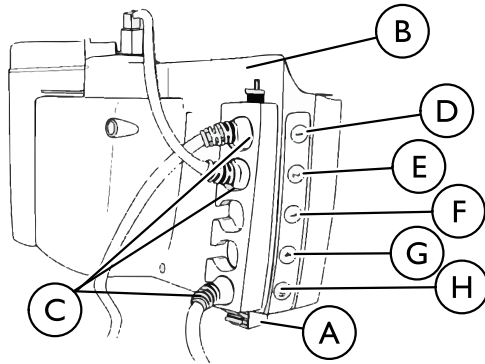
The following procedure is for full/semi-electric beds only.

All motors, the junction box **B**, connectors **C** and wiring are located on the foot spring section.

All connectors will arrive plugged into the junction box. If a connector is not plugged into the junction box when received or if a function of the bed is not working use the color coding to check the placement of the connectors. Each connector and junction box slot is color coded.



The color rings on the cables are not visible when the cables are plugged in and the cable lock is attached.



Letter	Color	Cable
D	Yellow	Foot Spring Height Adjustment
E	Blue	Head Spring Height Adjustment
F	Red	Full Electric Hi/Lo Motor
G	White	DO NOT USE
H	Green	Pendant

1. Inspect the power supply cord and motor cables for cuts or damage to the cord and/or plug.
2. Inspect the junction box for any damage to the connectors .
3. Ensure that all cable plugs are connected securely.
4. Make sure all cables are routed through the cable lock slots.
5. Securely attach the cable lock (A). Refer to 4.11.1 Installing/Removing Cable Lock, page 28.
6. If damage is found, contact an Invacare Customer Service Representative to report the damaged items and request appropriate replacement parts or products.



WARNING!

Risk of Injury or Damage

To avoid injury or damage from misuse:

- The removal and installation of cables and the cable lock are to be performed by a qualified technician.

Manual Beds

1. Raise and lower the cranks at the foot of the bed to make sure they work correctly. Refer to 5.4 Operating the Manual Bed, page 35.
2. If no damage is found, set-up the bed for use.
3. If damage is found, contact an Invacare Customer Service Representative to report the damaged items and request appropriate replacement parts or products.

4.11.1 Installing/Removing Cable Lock

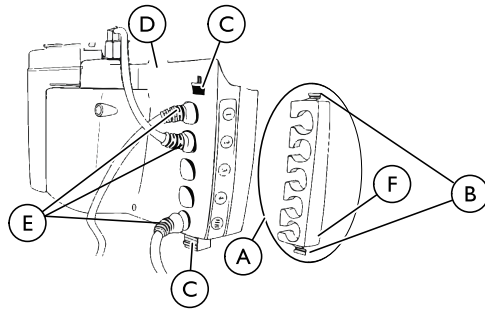


WARNING!

Risk of Injury or Damage

To avoid damage or personal injury from broken cable lock clips:

- Have a qualified technician replace the cable lock.



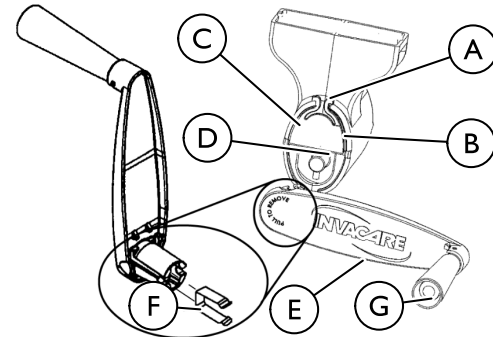
Installing

1. With the cables seated to the proper connector on control box, slide the cables (E) into the appropriate cable lock slots (A).
2. Depress the cable lock clips (B).
3. Push the cable lock clips into the locking slots (C) on the junction box (D), until they click in place.

Removing

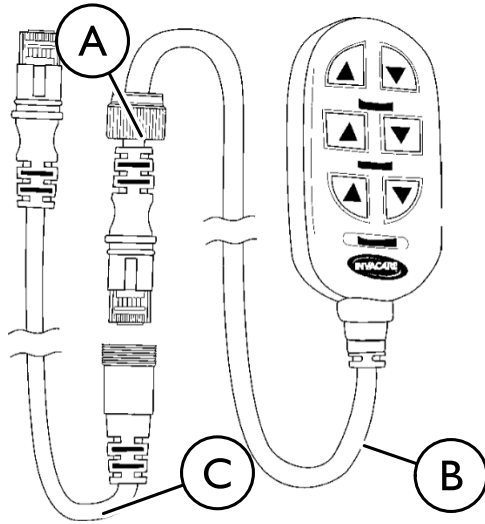
1. Compress the cable lock clips (B) firmly.
2. Carefully pull the cable lock (F) away from the junction box (D).
3. Slide the cable lock (F) off of the cables (E).

4.11.2 Installing the Manual Crank for Hi/Lo Function



1. Pinch the ears (A) on the input drive shaft cover (B) to open the cover.
2. Flip the input drive shaft cover up and push until it attaches to the gear box (C). The cross pins (D) will now be accessible.
3. Connect the manual crank (E) to the cross pins (D) until the spring (F) engages the cross pins.
4. Unfold the handle (C) on the hand crank.

4.11.3 Installing/Removing the Pendant



For Canadian Customers who need to disable operation of electric beds: These Models have pendants that can be removed and stored in a secure place.

1. To disable operation of the electric bed, unscrew the union nut **A** on the standard pendant cable **B** that attaches to the extension cable **C**.
2. Unplug the standard pendant cable from the extension cable.

4.12 Storing the Bed



WARNING!

Risk Of Injury Or Damage

To avoid product damage and personal injury:

- DO NOT place other objects on top of the cartons.



WARNING!

Risk Of Injury Or Damage

To avoid product damage and personal injury:

- Disconnect pendant when not in use and store out of reach of children.

If bed is not being assembled immediately, retain the cartons and packaging for storage until ready for assembly.

Store the Invacare Homecare bed in a dry area.

5 Operation

5.1 Bed Operation and Component Overview



WARNING!

Risk Of Injury Or Damage

To avoid electrical damage, product damage, shock and/or personal injury:

- DO NOT unplug power cord from junction box.
- When product is not to be used for an extended period, unplug product from the wall outlet.
- Keep all product components and accessories a minimum of 12 inches away from hot or heated surfaces.
- After the product has been assembled and before use, always test to make sure that all sections of the product are properly and securely in place. If any problems arise during the test, recheck all electrical connections and mechanical hook ups and then retest. If the product is not working properly, contact a qualified technician or Invacare for repair.



WARNING!

Risk Of Injury Or Damage

To avoid unintentionally pressing the pendant buttons and causing injury or damage.

- DO NOT place pendant under or between objects.



WARNING!

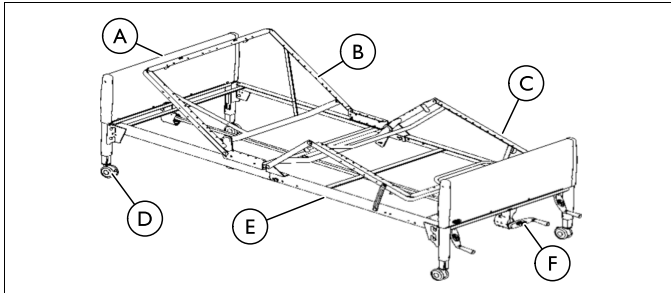
Risk Of Injury Or Damage

A safety feature of this product includes protection against overheating caused by excessive or extended periods of operation. Depending on the duration, this includes multiple or repeated adjustments or the use of multiple functions at one time.

- To ensure trouble free operation, ALWAYS allow a slight pause between multiple adjustments and avoid pressing more than one function button at a time. If thermal protection activation should occur, the product will not respond to pendant commands. Given this situation, release the pendant button and allow the product to sit for several minutes. This will allow the protection function time to reset and restore product function. Depending on severity of the initial overheating, this could take up to 30 minutes.

Before placing the bed into use, test the bed by operating it through all phases of operation.

1. If any problems arise during the test, recheck all electrical connections and mechanical hook ups.
2. Full electric beds use a six-function pendant for all bed operations.
3. Semi-electric beds use a four-function pendant for head and foot spring operations and a hand crank for Hi/Lo bed operation.
4. Manual beds use three hand cranks for all bed operations.



(A)	Bed End
(B)	Head Section
(C)	Foot Section
(D)	Locking Caster
(E)	Bed Frame
(F)	Emergency Crank



To operate the Electric bed using the six button controller, refer to 5.2 Operating Full Electric Bed, page 32.

To operate the Semi-Electric bed using the four button controller, refer to 5.3 Operating the Semi-Electric Bed, page 33

To operate the Manual bed using the three hand cranks, refer to 5.4 Operating the Manual Bed, page 35

5.2 Operating Full Electric Bed

Models 5410IVC and 5411IVC

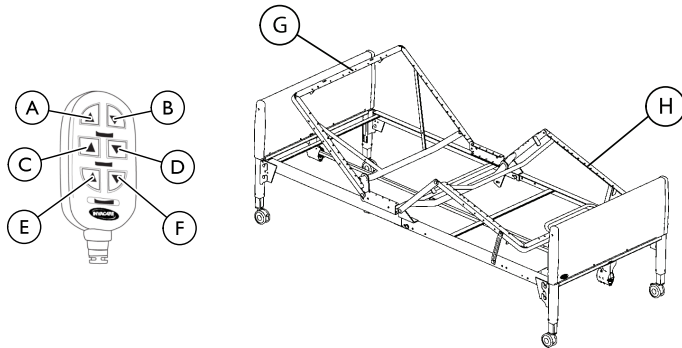
Before placing the bed into use, test the bed by operating it through all phases of its operation.

1. Use the six function pendant for all bed operations.
2. If any problems arise during the test, recheck all electrical connections and mechanical hook ups.



All electric beds come with an emergency crank to allow the bed to be lowered in the event of a power outage.

Raising and Lowering the Head and Foot Sections



Link Fabric not shown.

1. To raise the head of the bed (G), press the "Head Up" button (A).
2. To lower the head of the bed (G), press the "Head Down" button (B).
3. To raise the foot of the bed (H), press the "Foot Up" button (E).
4. To lower the foot of the bed (H), press the "Foot Down" button (F).

Raising and Lowering the Entire Bed


1. To raise the entire bed, press the "Bed Up" button (C).
2. To lower entire bed, press the "Bed Down" button (D).

5.3 Operating the Semi-Electric Bed

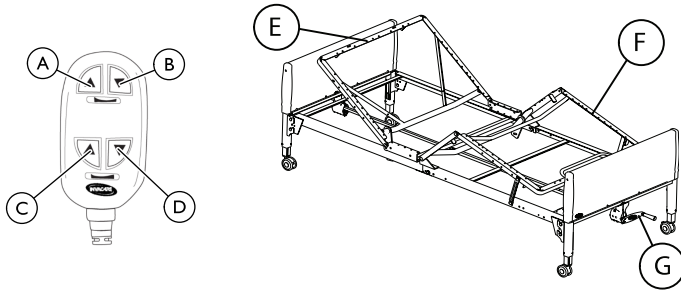
Models 5310IVC and 5311IVC


Before placing the bed into use, test the bed by operating it through all phases of its operation.

1. Perform the following:
 - Use the four function pendant for head and foot spring operations.
 - Use the hand crank for Hi/Lo bed operation.
2. If any problems arise during the test, recheck all electrical connections and mechanical hook ups.

 All semi-electric beds come with an emergency crank to allow the bed to be lowered in the event of a power outage.

Raising and Lowering the Head and Foot Sections



 Link Fabric not shown.

1. To raise the head of the bed (E), press the "Head Up" button (A).
2. To lower the head of the bed (E), press the "Head Down" button (B).
3. To raise the foot of the bed (F), press the "Foot Up" button (C).
4. To lower the foot of the bed (F), press the "Foot Down" button (D).

Raising and Lowering the Entire Bed

1. To raise and lower the entire bed, use crank (G).

5.3.1 Using the Emergency Crank



WARNING!

Risk Of Injury Or Damage

Due to a power outage or an electronic malfunction, an emergency crank is provided.

- DO NOT use the emergency crank to raise the bed. Personal injury or damage to the crank may occur.



WARNING!

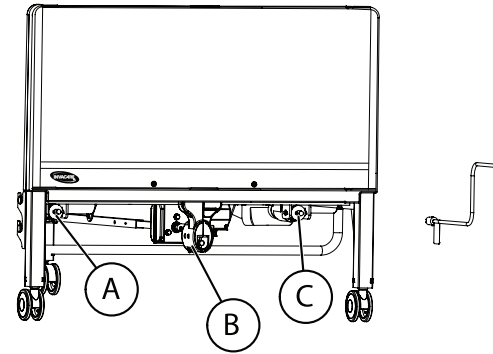
Risk Of Injury Or Damage

To avoid injury or damage from moving parts

- Unplug the bed from the wall outlet before using the emergency crank.

Failure to remove the emergency crank may cause damage or personal injury.

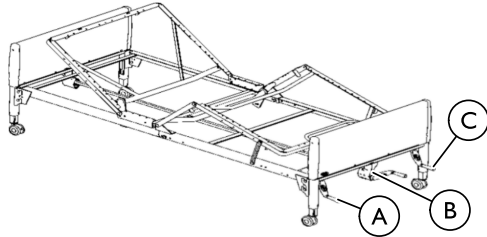
- The emergency crank MUST be removed before the bed is used.




You should find the emergency crank stored in the link fabric of the spring deck. If you do not find the crank, contact your dealer.

1. Remove the emergency crank from the spring deck of the bed under the mattress.
2. Locate the exposed shaft end according to the function you want to perform.
 - Raise and lower the head section with shaft end (A).
 - Raise and lower the foot section with shaft end (C).
 - Raise and lower the entire bed with shaft end (B).

5.4 Operating the Manual Bed



 Link Fabric not shown.

Before placing the bed into use, test the bed by operating it through all phases of its operation.

1. Perform the following:
 - Raise and lower the head section with hand crank **A**.
 - Raise and lower the foot section with hand crank **C**.
 - Raise and lower the entire bed with hand crank **B**.
2. If any problems arise during the test, recheck all mechanical hook ups.

5.5 Optional Bed Rails



WARNING!

Risk Of Injury Or Damage

To avoid injury or damage from misuse:

- DO NOT install the optional bed rails without reading and understanding the **Bed Rail Risk Notification Guide** that accompanies this manual and is included with each bed rail kit. The **Bed Rail Risk Notification Guide** can also be found at www.invacare.com.



DANGER!

Risk Of Death, Injury Or Damage

To avoid entrapment, damage, and/or personal injury:

- These bed rails are intended to prevent an individual from inadvertently rolling out of bed. Do not use for restraint purposes.
- Invacare recommends the use of two sets of half length bed rails: one set at the head end of the bed, and one set at the foot end of the bed where permitted.
- Use ONLY Invacare rails with Invacare products.
- DO NOT use the bed rails as push handles when moving the bed.



WARNING!

Risk Of Injury Or Damage

To avoid personal injury or damage from misuse:

- Bed rail IS NOT an assist rail for getting into or out of bed.



WARNING!

Risk Of Death, Injury Or Adverse Health Consequences

Fall hazard exists due to incorrect installation of bed rails

- To avoid injury, ensure that the Invacare bed rails are installed correctly and securely attached to the bed while entering or exiting.

Fall hazard exists due to use of NON-Invacare bed rails. Non-Invacare bed rails are potentially incompatible with Invacare beds.

- To avoid injury, ensure that only Invacare bed rails are used with Invacare beds at all times.

Fall hazard exists due to use of NON-Invacare mattresses. Non-Invacare mattresses are potentially incompatible with Invacare beds.

- To avoid injury, ensure that only Invacare mattresses are used with Invacare beds at all times.



WARNING!

Risk Of Death, Injury, Or Damage

To avoid entrapment, product damage, and/or personal injury:

- When used with a manual/electric bed, the bed rails DO NOT fall under any weight limitations. Bed rails can be deformed or broken if excessive side pressure is exerted on the bed rails. These bed rails are used for the purpose of preventing an individual from inadvertently rolling out of bed. The bed rails are not intended nor may be used for restraint purposes. If an individual is capable of injuring himself/herself, a physician or a healthcare professional should be consulted for alternative means of safe restraint.
- After raising/lowering the head/foot end of the electric bed, check the distance between the bottom of the bed rail and the mattress. If there is excessive distance between the bottom of the bed rail and the mattress in which individuals may become entangled, adjust the height of the bed rail (if applicable), or provide alternative means of patient protection.
- DO NOT use the side rails as push handles for moving the electric bed.
- Replacement mattresses and bed side rails with dimensions different from the original equipment supplied or specified by the bed frame manufacturer are not interchangeable. Variations in bed side rail design, width and thickness or firmness of the mattress could cause/contribute to entrapment.

6 Maintenance

6.1 Service Life



WARNING!

Risk of Injury or Damage

Use of the product beyond this time period may cause product damage and injury.

- This product has an expected lifetime of seven (7) years when used in accordance with safety instructions, maintenance intervals and correct use stated in this manual.
- Perform all maintenance according to the recommended schedule in this manual.



The effective bed lifetime can vary according to the frequency and intensity of use.

6.2 Wear and Tear Items

Normal wear and tear items and components include, but are not limited to the items in the table:

Wear and Tear Items
Hand Pendants
Crank Handle
Casters—tread wear, brake levers
Drive Shafts

Invacare reserves the right to ask for any item back that has an alleged defect in workmanship. See the Warranty that shipped with the product for specific warranty information.

6.3 Cleaning the Bed

QUALIFIED TECHNICIAN ONLY

Washing the Bed Ends



DANGER!

Risk Of Death, Injury, or Damage

To avoid damage to electric controls:

- If a liquid is spilled in or around the electric bed, unplug the electric bed before cleaning.
- Clean up the spill and allow the electric bed or the area around the electric bed to dry thoroughly before using the electric controls again.



WARNING!

Risk Of Injury Or Damage

Grease may leak from the gearbox and cause injury or damage from falling or fire.

- Follow the maintenance instructions in this manual.
- Routinely inspect the gearbox for grease leakage.

If the gearbox is leaking grease:

- Stop use immediately.
- Keep the product away from sparks, flame, and open heat sources.
- Contact your dealer or Invacare for repair.



WARNING!

Risk Of Injury Or Damage

To avoid product damage or injury from malfunction:

- Clean the product according to the instructions.
- The product may be damaged from multiple or excessive cleaning.

1. Stand or prop each bed end in an upright position on its legs.
2. Using a mild soap/detergent and soft bristle brush or sponge, scrub all exterior surfaces.
3. Using a hose and nozzle attachment, rinse bed ends thoroughly with plain cold or warm water.



Do not exceed a water temperature of 110° F.

Use household tap pressure. **DO NOT** use pressure washers or steam cleaners.

4. Tip bed end from side to side to allow any collected or trapped water to drain.
5. Thoroughly towel dry bed end and all components.
6. Repeat drying process until all components are dry.



Ensure that the bed end is completely dry before storing.

Cleaning the Head and Foot Sections

1. Unplug the power cord of electric beds before performing maintenance.
2. Wipe down the bed with disinfectant. Allow it to dry completely.

6.4 Maintenance and Cleaning Checklist

Invacare recommends the following maintenance/cleaning procedures be conducted initially, between users, or as needed. This form is provided as a guide to help with documentation.



WARNING!

Risk of Injury or Damage

To avoid injury or damage from misuse:

- Read all guidelines, warnings and cautions before performing any repair/maintenance on the bed.
- All repair and maintenance on the bed should be performed by a qualified technician.

Cleaning and Disinfecting Bed

- Unplug the power cord of electric beds before performing maintenance.
- Wipe down with disinfectant. Allow to dry completely.

Mechanical Inspection and Maintenance

- Inspect all bed components (i.e. rails, clevis pins, hitch pins, etc.) for damage or excessive wear and replace as necessary.
- Visually examine all welds for cracks.
- Inspect the head and foot spring sections for bending, warping or damage.
- Check drive shaft and drive shaft connections for bending, damage or excessive wear.
- Inspect pull tubes and mounting hardware for bending, damage or excessive wear.
- Inspect all bolts and rivets to ensure that they are securely tightened and functioning properly.
- Check casters to ensure they lock, if applicable, and roll properly.
- Ensure end caps are in place and secure. Replace if missing or damaged.

In addition, dealers should inspect bed ends for proper operation:

1. Adjust bed ends to the lowest position.
2. Remove bed ends from head or foot spring.
3. Remove bed end caps and plastic cover.
4. Inspect cables and pulleys for wear.
5. Inspect Acme screws for lubrication. Apply a light lithium based grease if necessary.
6. Reinstall the plastic cover and end caps.

Electrical Inspection and Maintenance

- Inspect all electrical bed components for damage or excessive wear (i.e., cracked or broken housings, or worn components).
- Check pendant, power and motor cords for chafing, cuts or excessive wear.
- Make sure all plugs are fully attached and free of damage.
- Check all functions:
 1. Head raises and lowers properly.
 2. Foot raises and lowers properly.
 3. Bed ends raise and lower properly.

In addition dealers should inspect all electrical bed components:

- Chafing
- Nicks in the insulation
- Missing insulation
- Exposed internal wiring or conductors
- Signs of pinching or crushing
- Broken or deformed connectors



If these conditions are present, the bed **MUST** not be used until the damaged component/wiring is replaced. Modification or other forms of repair including electrical or similar tape **MUST NEVER** be used.

PASS/FAIL

- PASS:** Bed and all components have passed all of the preceding inspection criteria, and the bed is ready for placement into a client's home.
- FAIL:** Bed, or any component, has failed any of the preceding inspection criteria. Tag the bed or component with a complete description of the failure(s) and have the bed serviced.

7 Troubleshooting

7.1 Troubleshooting Mechanical

SYMPTOM	PROBABLE CAUSE	SOLUTION
Bed does not stay in place.	Casters unlocked.	Lock Casters.
Bed springs do not move.	Pull tube.	Check pull tube(s) for binding. Call dealer for repairs.
	Manual Beds - crank(s) not working.	Call dealer.
Bed ends move in opposite directions (electrical or manual bed).	Drive Shaft connected to wrong gear box shaft.	Call dealer.
Hi/Lo function does not work.	Crank not properly installed.	Call dealer.
	Drive shaft disconnected.	Call dealer.
Pressing function on pendant results in motion other than that intended.	Motor cable connections to junction box incorrect.	Call dealer.

7.2 Troubleshooting Electrical

SYMPTOM	PROBABLE CAUSE	SOLUTION
Bed spring does not move.	End of stroke reached.	Operate opposite button.
Bed Spring does not stop moving.	Pendant.	Check for depressed/stuck buttons. If button is stuck, call dealer for repair.
Bed Hi/Lo movement does not stop.		Check cables, if damaged call dealer.
Bed is producing unusual sounds, burning odors, or movement deviations observed in the controls, motors, or the limits switch functions.		Call dealer.
Full Electric Bed: Hi/Lo function does not work.	Bed not plugged in.	Ensure power cord is plugged into power source.
	Pendant not functioning.	Ensure Pendant is correctly connected to junction box. Ensure Pendant cable not entangled/pinched.
	Cables	Ensure cables are not entangled/pinched. Call the dealer for repair/replacement of cables and/or motors.
	Broken cable lock.	Call dealer to replace cable lock.
	Household fuse or breaker blown.	Check household fuse/breaker box.
	Motors are not functioning.	Call dealer.
	Hi/Lo Motor.	Ensure cables are not entangled or pinched. Call dealer.
	Thermal Protection Activated.	Allow bed unit to sit for 30 minutes and retry.

8 Warranty

8.1 Limited Warranty

PLEASE NOTE: THE WARRANTY BELOW HAS BEEN DRAFTED TO COMPLY WITH FEDERAL LAW APPLICABLE TO PRODUCTS MANUFACTURED AFTER JULY 4, 1975.

This warranty is extended only to the original purchaser who purchases this product when new and unused from Invacare or a dealer. This warranty is not extended to any other person or entity and is not transferable or assignable to any subsequent purchaser or owner. Coverage under this warranty will end upon any such subsequent sale or other transfer of title to any other person.

This warranty gives you specific legal rights and you may also have other legal rights which vary from state to state.

Invacare warrants the mechanical and electrical components of this product when purchased new and unused to be free from defects in materials and workmanship for a period of two years from date of purchase from Invacare or a dealer, with a copy of the seller's invoice required for coverage under this warranty. Invacare warrants all welds of this product when purchased new and unused to be free from defects in materials and workmanship for a period of five years from date of purchase from Invacare or a dealer, with a copy of the seller's invoice required for coverage under this warranty. If within such warranty periods any such product shall be proven to be defective, such product shall be repaired or replaced, at Invacare's option. This warranty does not include any labor or shipping charges incurred in replacement part installation or repair of any such product. Invacare's sole obligation and your exclusive remedy under this warranty shall be limited to such repair and/or replacement.

For warranty service, please contact the dealer from whom you purchased your Invacare product. In the event you do not receive satisfactory warranty service, please write directly to Invacare at the address on the back cover, provide dealer's name, address, and the date of purchase, indicate nature of the defect and, if the product is serialized, indicate the serial number. Do not return products to our factory without our prior consent.

LIMITATIONS AND EXCLUSIONS: THE FOREGOING WARRANTY SHALL NOT APPLY TO SERIAL NUMBERED PRODUCTS IF THE SERIAL NUMBER HAS BEEN REMOVED OR DEFACED, PRODUCTS SUBJECTED TO NEGLIGENCE, ACCIDENT, IMPROPER OPERATION, MAINTENANCE OR STORAGE, PRODUCTS MODIFIED WITHOUT INVACARE'S EXPRESS WRITTEN CONSENT (INCLUDING, BUT NOT LIMITED TO, MODIFICATION THROUGH THE USE OF UNAUTHORIZED PARTS OR ATTACHMENTS; PRODUCTS DAMAGED BY REASON OF REPAIRS MADE TO ANY COMPONENT WITHOUT THE SPECIFIC CONSENT OF INVACARE, OR TO A PRODUCT DAMAGED BY CIRCUMSTANCES BEYOND INVACARE'S CONTROL, AND SUCH EVALUATION WILL BE SOLELY DETERMINED BY INVACARE. THE WARRANTY SHALL NOT APPLY TO NORMAL WEAR AND TEAR OR FAILURE TO ADHERE TO THE PRODUCT INSTRUCTIONS.

THE FOREGOING EXPRESS WARRANTY IS EXCLUSIVE AND IN LIEU OF ANY OTHER WARRANTIES WHATSOEVER, WHETHER EXPRESS OR IMPLIED, INCLUDING THE IMPLIED WARRANTIES OF MERCHANTABILITY AND FITNESS FOR A PARTICULAR PURPOSE, AND THE SOLE REMEDY FOR VIOLATIONS OF ANY WARRANTY WHATSOEVER, SHALL BE LIMITED TO REPAIR OR REPLACEMENT OF THE DEFECTIVE PRODUCT PURSUANT TO THE TERMS CONTAINED HEREIN. THE APPLICATION OF ANY IMPLIED WARRANTY WHATSOEVER SHALL NOT EXTEND BEYOND THE DURATION OF THE EXPRESS WARRANTY PROVIDED HEREIN. INVACARE SHALL NOT BE LIABLE FOR ANY CONSEQUENTIAL OR INCIDENTAL DAMAGES WHATSOEVER.

Some states do not allow the exclusion or limitation of incidental or consequential damage, or limitation of how long an implied warranty lasts, so the above exclusion and limitation may not be applicable.

THIS WARRANTY SHALL BE EXTENDED TO COMPLY WITH STATE/PROVINCIAL LAWS AND REQUIREMENTS.

Invacare Corporation

USA

One Invacare Way

Elyria, Ohio USA

44035

(800) 333-6900



1114836-G-07 2016-07-26



www.invacare.com

Canada

570 Matheson Blvd E Unit 8

Mississauga Ontario

L4Z 4G4 Canada

800-668-5324

Making Life's Experiences Possible™



Yes, you can.®