

## **Oxygen Concentrators**

**International**

**IRC5LXAW**

**Platinum 5 (IRC5LXAW - After S/N  
02G737514)**

**Platinum 5 (IRC5LX02AW)**

**(Units Built After Serial No. 02F595196)**



*Yes, you can.*

# Parts Catalog Usage Guide

The information contained in this document is subject to change without notice. This catalog contains service parts for Form No. 99-176. If you have any questions regarding this catalog, please contact one of our Customer Service Representatives.

**For Customer Service Support Call:**

**1-800-333-6900**

**For Faxed In Orders Call:**

**1-800-678-4682 or**

**1-440-366-0709**

**For Technical Service Call:**

**1-800-832-4707**

**Literature Can Be Found at:**

**www.invacare.com or**

**1-800-828-6272**

## SYMBOL DEFINITION

Throughout this catalog you will notice letters to draw your attention to specific footnotes which are located at the bottom of the page or below specified charts.

Examples:

A,B,C etc. = Special Comments

NOTE: = General information pertaining to that specific page

NLA = No Longer Available

## HARDWARE MEASUREMENTS

The measurements for the hardware will be listed as follows:

Screws, Bolts Diameter X Thread Count/Pitch X Length

Washers Inside Diameter X Outside Diameter X Thickness

Spacers Inside Diameter X Outside Diameter X Length

For your convenience, we have supplied an area for you to list your Invacare Representatives.

Name	Phone Numbers

© 2022 Invacare Corporation, Elyria, Ohio. Invacare, the Medallion Design and Yes, you can. are registered trademarks of the Invacare Corporation. Platinum is a trademark of Invacare Corporation. Information is subject to change without notification.

# TABLE of CONTENTS

<b>Description</b>	<b>Page Number</b>
Cabinet and Base (Non Platinum 5 Models) .....	7
Cabinet and Base (Platinum 5 Models) .....	4
Compressor & Mounting Hardware - Non Platinum 5 Models .....	9
Compressor & Mounting Hardware - Platinum 5 Models .....	11
Control Panel & PC Board - Non Platinum 5 Models .....	13
Control Panel & PC Board - Platinum 5 Models .....	16
Packaging - Literature & Preventative Maintenance Kit .....	3
Sieve Bed Assembly & Product Tank (Non Platinum 5 Models) .....	24
Sieve Bed Assembly & Product Tank (Platinum 5 Models) .....	27
Sound Box Assembly - Non Platinum 5 Models .....	18
Sound Box Assembly - Platinum 5 Models .....	21

# Packaging, Literature and Preventative Maintenance Kit

Note: When adjusting or replacing parts, please refer to your Owner's Manual for assistance.

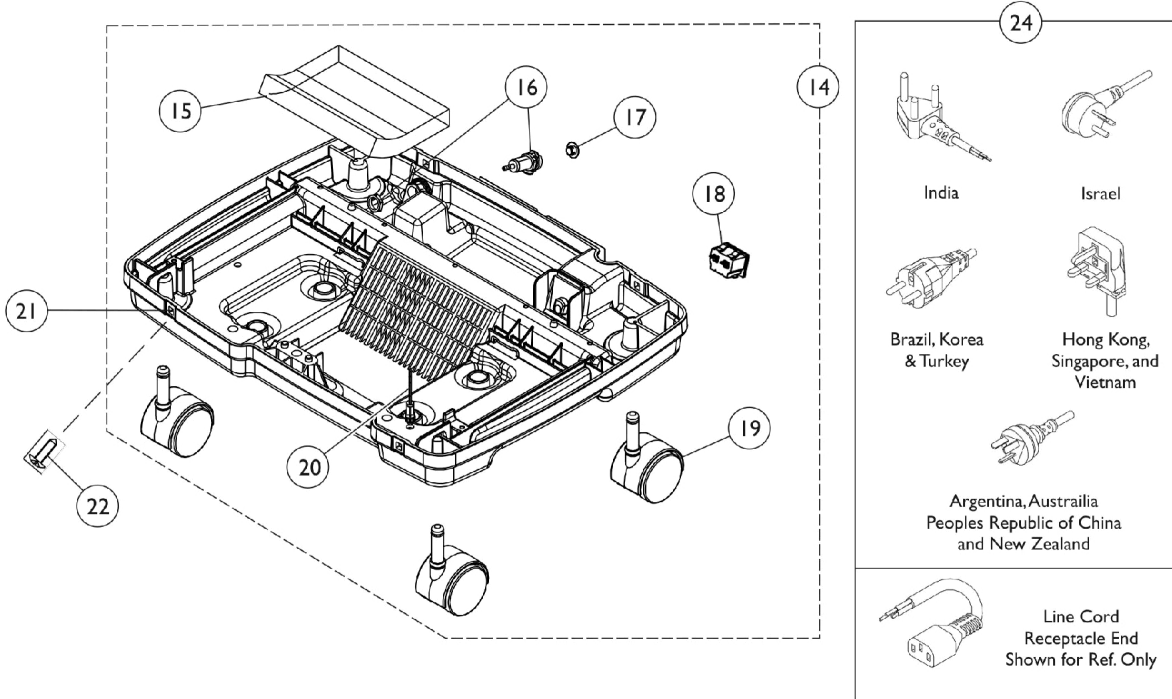
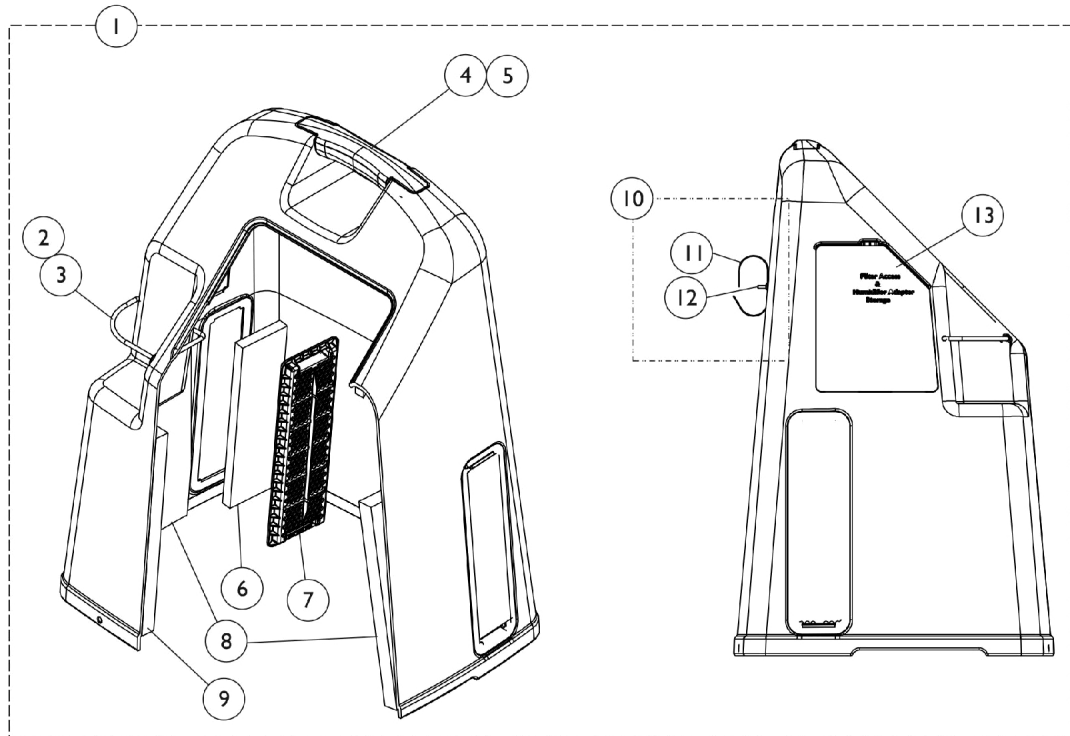
Models	Packaging Kit	Carton	Top Insert	Poly Bag	Bottom Insert	Miscellaneous Pieces Assembly
Non-Platinum	1081290-NLA See Note(s) A	2000725-NLA	2001779	2000454-NLA	2001780	1081289-NLA See Note(s) C
Platinum See Note(s) D	1112296-NLA See Note(s) B	60001254	1108745	2000454-NLA	1108747	N/A

NOTE: A - Packaging Kit Includes: (1) each Carton, Top Insert, Bottom Insert, Poly Bag and See Note C.  
 B - Packaging Kit Includes: (1) each Carton, Top Insert, Bottom Insert, Poly Bag and Owner's Manual.  
 C - Miscellaneous Assembly Includes: (1) each Owner's Manual, Humidifier Adaptor, Humidifier Bottle Tubing and Poly Bag.  
 D - Tech Only Carton

Item Number	Note	Part Number	Description	Quantity Per	
				Package	Assembly
1	A,B	1083917-NLA	NLA - Owner's Manual, International	1	1
2	A,C	1110827-NLA	NLA - Owner's Manual, International	1	1
4	A,B	2000895-NLA See Chart	NLA - Kit, Preventative Maintenance (IRC3LX,5LX) Packaging and Literature	1 1	1 1

NOTE: A - Not Shown  
 B - Non-Platinum 5 Models  
 C - Platinum 5 Models

# Cabinet and Base Platinum 5 Models



## Cabinet and Base Platinum 5 Models

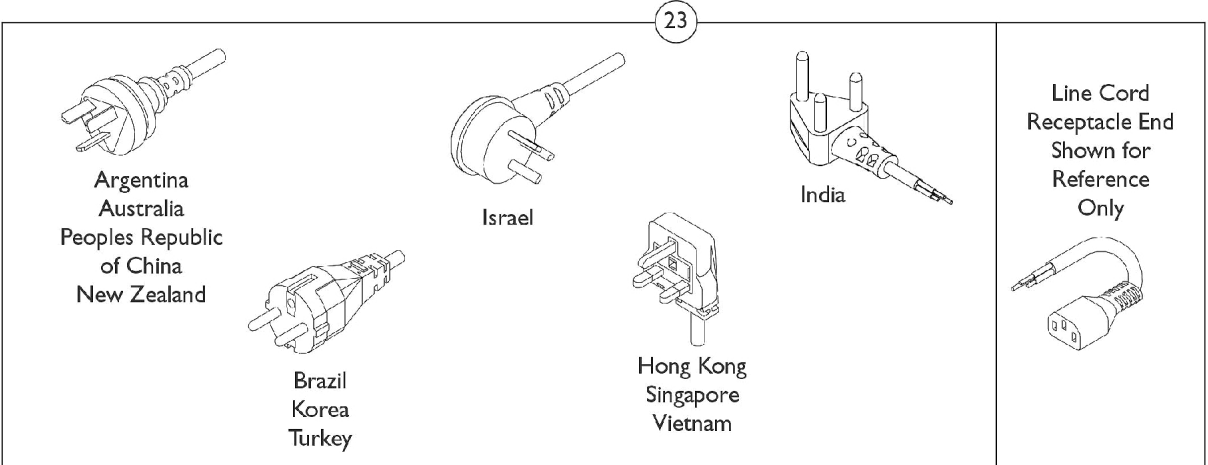
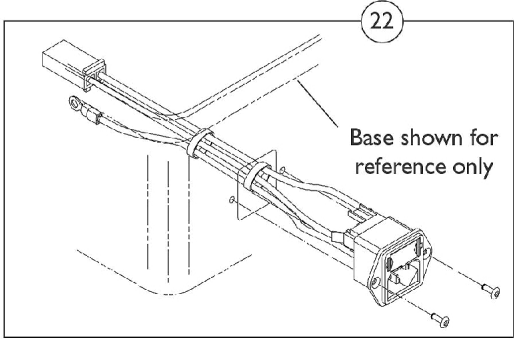
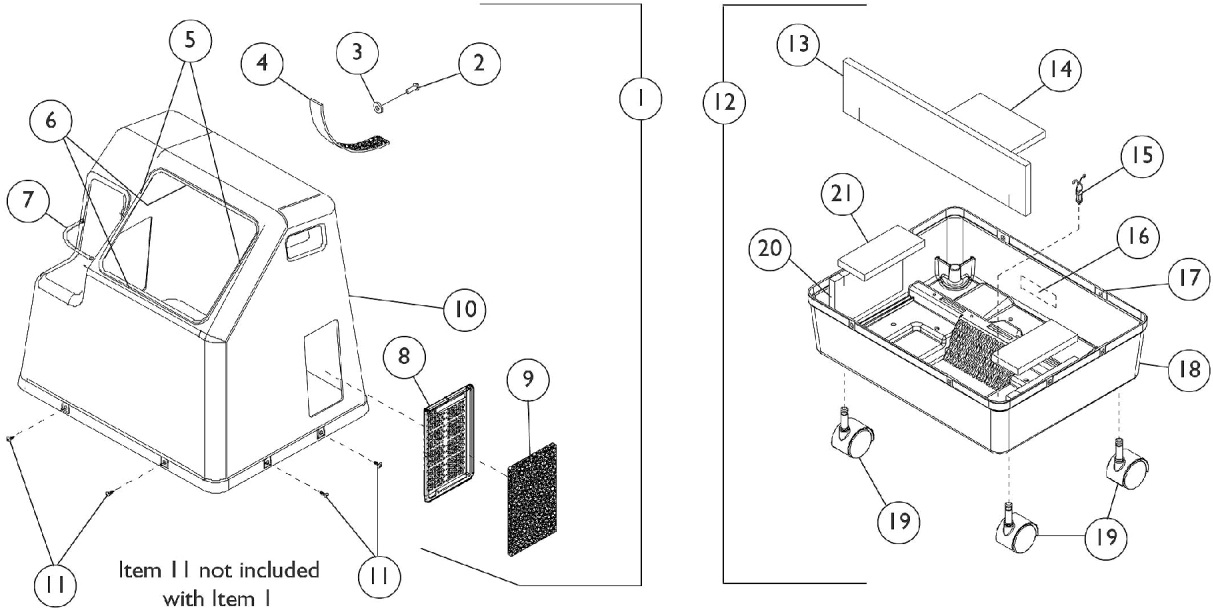
Item Number	Note	Part Number	Description	Quantity Per	
				Package	Assembly
1	A,E	1108803	Cabinet Cover without Tie Wraps	1	1
2		1006525	Tie Wrap (3-29/32" L)	1	1
3		60125500	Cord, Elastic	1	1
	F	1115868	Kit, Cabinet Handle	1	1
4			Handle, Top, Warm Grey	1	1
5			NLA - Screw, Hex Head Tap (1/4-15 x 3/4")	1	2
6		1107412	Filter, Cabinet	1	1
7		1107400	Grid, Filter	1	1
8		1107414	Foam, Side Shroud	1	2
9		1107413	Foam, Front Shroud	1	1
10	E,J	1172003	Package, Power Cord Strap w/ Hardware	1	1
11			Strap, Hook and Loop	10	1
12			Rivet, Plastic	10	1
			NLA - Retainer, Push On	10	1
13		1110766	Door, Filter Access with Foam Gasket	1	1
14	B	1112259-NLA	NLA - Base Cabinet Assembly	1	1
15		1108816	Foam, Base	1	1
16		1104151	Fitting, Hose Barb with Nut (1/8")	1	1
17		1108211	Cap, End, Dust, Green	1	1
18		1105515-NLA	NLA - Tech Only - Module, Inlet (15A/ 250 VAC)	1	1
19	D,G	1076830-NLA	NLA - Caster (2")	1	4
19		1110426	Caster Assembly (2")	1	4
20		2000576	Stand-Off, Twist-Lok (1/2")	1	1
21		2000360	Grommet, Plastic	1	4
22		2000508	Screw, Phillips Truss Head Self Tap (#8-32 x 5/8")	1	4
24		1062794-NLA	NLA - Cord, Power - Argentina, Australia, Peoples Republic of China and New Zealand	1	1
24	C,F	1062791-NLA	NLA - Cord, Line - Brazil, Korea and Turkey	1	1
24		1131308-NLA	NLA - Tech Only - Cord, Power, Continental Europe	1	1
24		1102634	Cord, Power - India	1	1
24		1071398	Cord, Power - Israel	1	1
24		1062793-NLA	NLA - Cord, Power - Hong Kong, Singapore and Vietnam	1	1
	G,H,J	1071428	Label, Spanish - IRC5LX	1	1
	G,H,J	1071430	Label, Spanish - IRC5LXO2	1	1
	G,H,J	1079322	Label, Brazilian Portuguese - IRC5LX	1	1
	G,H,J	1079323	Label, Brazilian Portuguese - IRC5LXO2	1	1

## Cabinet and Base Platinum 5 Models

NOTE: A - Includes Cover Cabinet and Items 2-13.  
B - Includes Base Cabinet and Items 15-21.  
C - Item no longer available, refer to Part #1131308.  
D - Item no longer available, refer to Part #1110426.  
E - After 6/28/07, the Hook and Loop Strap are no longer used on the Cabinet Cover Assembly. If Hook and Loop Strap is needed you must order Package, Power Cord Strap w/ Hardware, Part Number 1172003.  
F - Includes items 4 and 5.  
G - Not shown.  
H - Labels are not available for the following countries: Australia, Peoples Republic of China, Hong Kong, India, Israel, Korea, New Zealand, Singapore, and Vietnam.  
J - Standard equipment manufactured with full English label applied. Language specific overlays are used to customize equipment.

# Cabinet and Base

## Non Platinum 5 Models





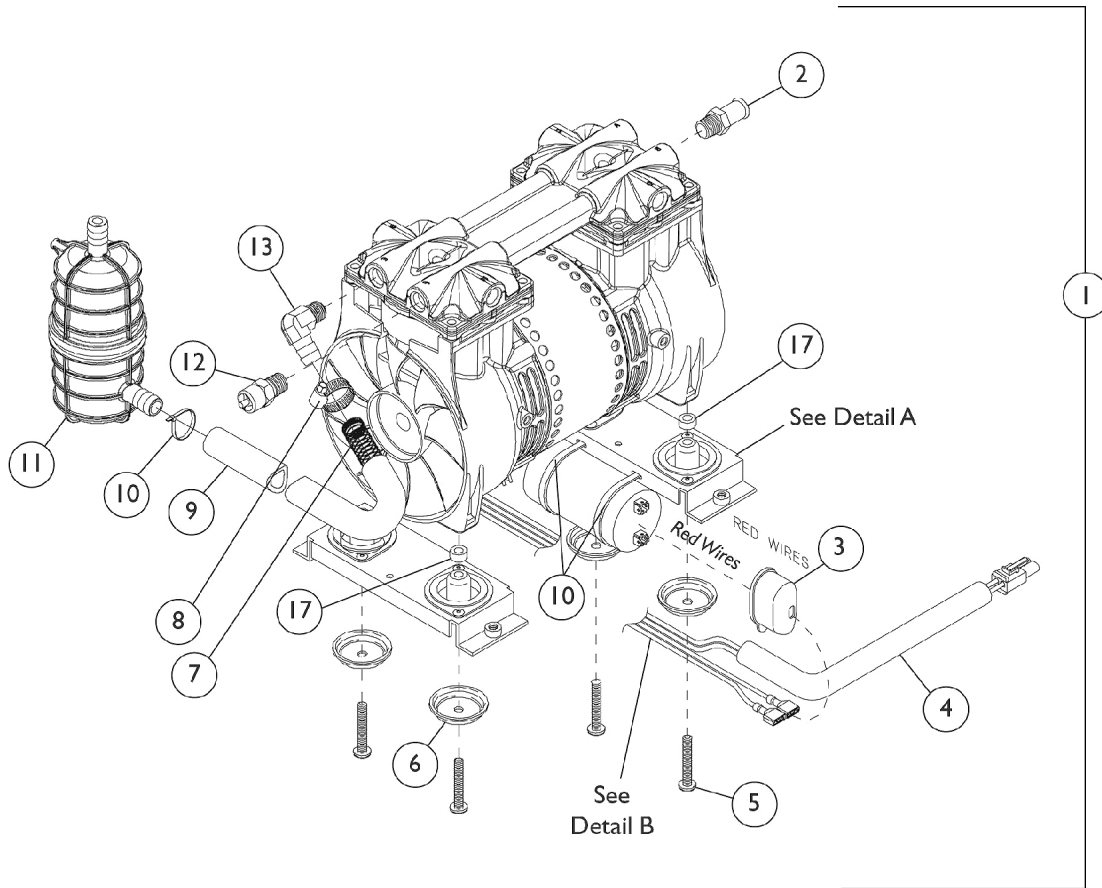
## Cabinet and Base Non Platinum 5 Models

Item Number	Note	Part Number	Description	Quantity Per	
				Package	Assembly
1	A	2002295-NLA	NLA - Cabinet Assembly	1	1
2		2002540	NLA - Rivet, Plastic	1	1
3		1022500-NLA	NLA - Retainer, Push On	1	1
4		P0875X071-NLA	Strap, Hook and Loop	1	1
5		2001838-NLA	NLA - Gasket, Foam (9-13/16")	1	2
6		2001839	Gasket, Foam (8")	1	2
7		60125500	Cord, Elastic	1	1
8		2002107	Grid, Filter	1	1
9		2000489	Filter, Cabinet	1	1
10		2002150	Top, Cabinet	1	1
11		2000508	Screw, Phillips Truss Head Self Tap (#8-32 x 5/8")	1	8
12	B	1083454-NLA	NLA - Base Assembly	1	1
13		1089270-NLA	NLA - Foam, Base - Front	1	1
14		1086642-NLA	NLA - Foam, Base (3/4")	1	1
15		2000576	Stand-Off, Twist-Lok (1/2")	1	1
16		1083465-NLA	NLA - Label, Specification	1	1
17		2000360	Grommet, Plastic	1	8
18		1075658-NLA	NLA - Base, Finished	1	1
19	G	1076830-NLA	NLA - Caster (2")	1	4
19		1110426	Caster Assembly (2")	1	4
20		2002000-NLA	NLA - Foam, Base - Side	1	2
21		2001997-NLA	NLA - Foam, Base	1	2
22	C	2002574-NLA	NLA - Mounting, Inlet Module	1	1
23		1062794-NLA	NLA - Cord, Power - Argentina, Australia, Peoples Republic of China and New Zealand	1	1
23	H	1062791-NLA	NLA - Cord, Line - Brazil, Korea and Turkey	1	1
23		1131308-NLA	NLA - Tech Only - Cord, Power, Continental Europe	1	1
23		1102634	Cord, Power - India	1	1
23		1071398	Cord, Power - Israel	1	1
23		1062793-NLA	NLA - Cord, Power - Hong Kong, Singapore and Vietnam	1	1
	D,E,F	1071428	Label, Spanish - IRC5LX	1	1
	D,E,F	1071430	Label, Spanish - IRC5LXO2	1	1
	D,E,F	1079322	Label, Brazilian Portuguese - IRC5LX	1	1
	D,E,F	1079323	Label, Brazilian Portuguese - IRC5LXO2	1	1

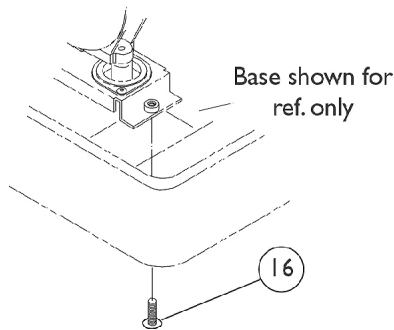
NOTE: A - Includes: (1) each Cable Tie, Cabinet Front Foam, (2) each Cabinet Side Foam and Items 2-10.  
 B - Includes Items 13-21.  
 C - Includes (2) each Briv Rivet.  
 D - Not Shown.  
 E - Labels are not available for the following: Australia, Peoples Republic of China, Hong Kong, India, Israel, Korea, New Zealand, Singapore and Vietnam.  
 F - Standard equipment manufactured with full English label applied. Language specific Label Overlays used to customize equipment.  
 G - Item no longer available, refer to Part #1110426.  
 H - Item no longer available, refer to Part #1131308.

# Compressor and Mounting Hardware

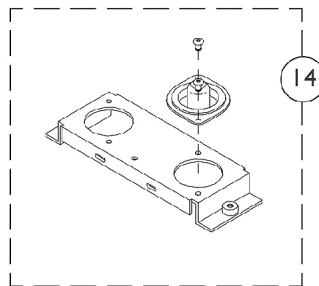
## Non Platinum 5 Models



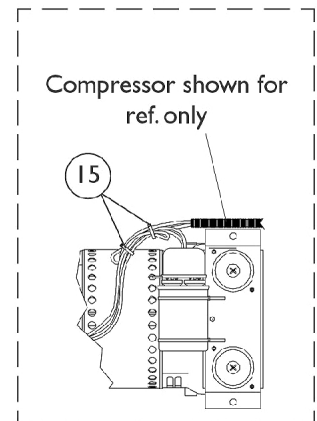
### Compressor Mounting Hardware



### DETAIL A



### DETAIL B

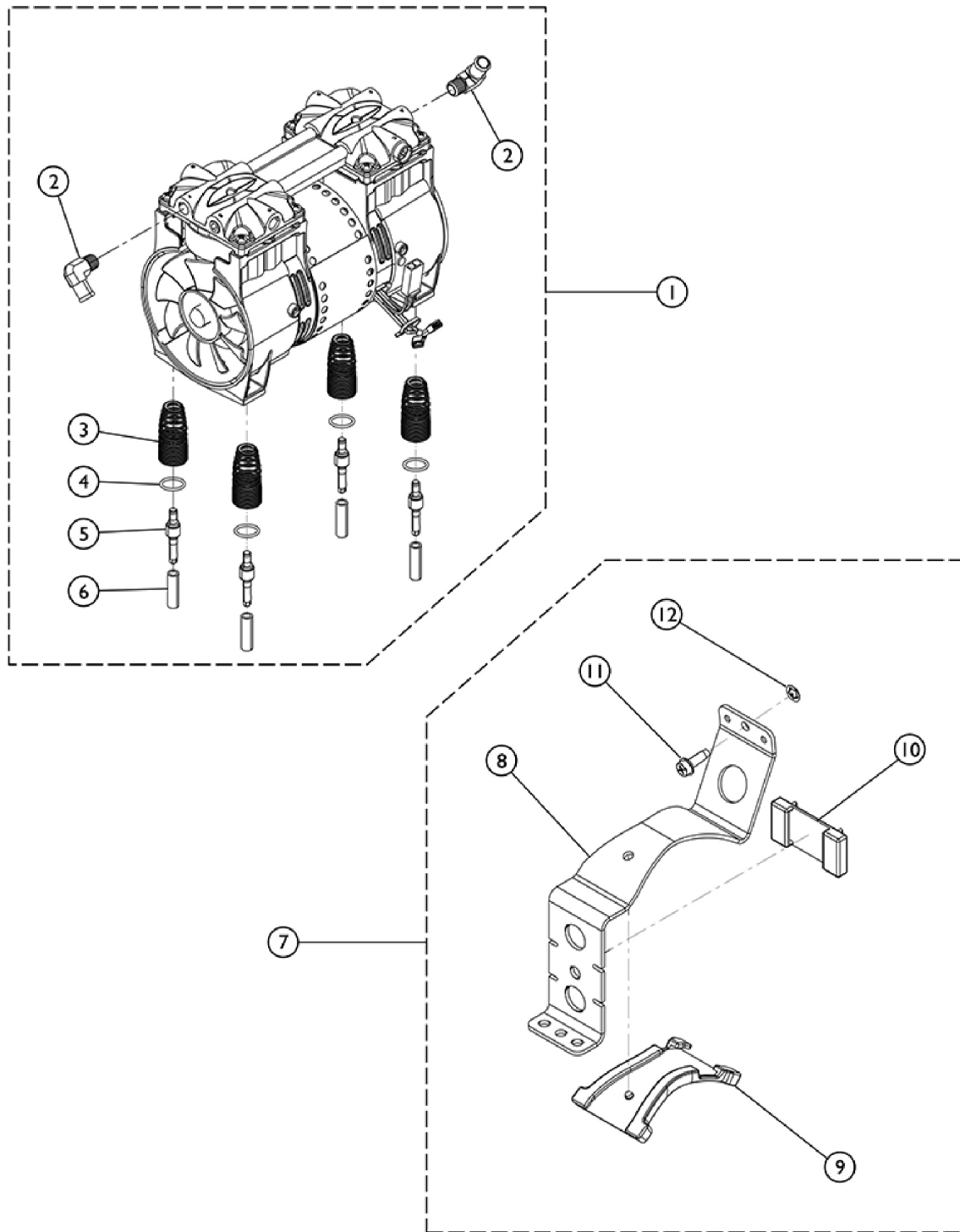


## Compressor and Mounting Hardware Non Platinum 5 Models

Item Number	Note	Part Number	Description	Quantity Per	
				Package	Assembly
1	A,B	1101717-NLA	NLA - Compressor Assembly	1	1
1	C,D,E	1108556-NLA	NLA - Compressor Assembly	1	1
	F	1108481-NLA	NLA - Kit, Compressor, Ground Wire/Harness	1	1
2		1086187-NLA	NLA - Hose, Barbed, Patch Lock (1/2 x 1/4" NPT)	1	1
3		P0875X560-NLA	NLA - Boot, Terminal	1	1
4		1083224-NLA	NLA - Loom, Slit (17/64" I.D. x 12" Long)	1	1
5		1068064-NLA	NLA - Screw, Phillips Pan Head (1/4-20 x 1-3/4")	1	4
6		2000876-NLA	NLA - Washer, Cup	1	1
7		1088316	Spring, Extension (7/16 x 9-3/4" L)	1	1
8		P0876X026	Clamp, Hose	1	1
9		2002264	Tubing, Reinforced Braided (1/2 x 26")	1	1
10		2001682	Tie Wrap (8" L)	1	3
11	G,K	1095537-NLA	NLA - Kit, Resonator Retro-Fit	1	1
			Resonator	1	1
			NLA - Screw, Phillips Pan Head (#10-16 x 1/2")	1	2
			NLA - Tubing, Silicon (1/2 x 5")	1	1
			Tube, Braided (10 x 1/2")	1	1
			Spring, Extension (7/16 x 9-3/4" L)	1	1
			Screw, Socket Button Head (1/4-20 x 3/8")	1	1
			NLA - Bracket, Mounting	1	1
			Clip, Flange	1	1
			Fitting, Elbow (1/2" Beaded Hose x 1/4" NPT)	1	1
			Tie Wrap (8" L)	1	1
			NLA - Instruction Sheet	1	1
11	H	1085873	Resonator	1	1
12		1085697-NLA	NLA - Relief Valve w/ Patch Lock, 35 PSIG	1	1
13	G	2001374-NLA	NLA - Fitting, Resonator	1	1
13	H	1108819	Fitting, Elbow (1/2" Beaded Hose x 1/4" NPT)	1	1
14	I,M	2000888-NLA	NLA - Mounting Bracket Assembly	1	2
15	N	1006525	Tie Wrap (3-29/32" L)	1	2
16		2001795	Package, Screw, Phillips Pan Head (1/4 X 1/2")	1	4
17	I,J,N	2002906-NLA	NLA - Spacer (1/4 x 1/2 x 7/32")	1	4

NOTE: A - Before 6/27/00.  
 B - Includes Items 2-13 and Plastic Resonator Mounting Hardware.  
 C - After 6/26/00.  
 D - Includes Items 2-14.  
 E - Units built before 4/10/00, Resonator Retro Fit Kit (#1095537) is required to make Compressor Assembly (#1080183) compatible with concentrator.  
 F - Not Shown.  
 G - Before 4/10/00.  
 H - After 4/9/00.  
 I - When ordering Bracket Assembly (#2000888) for 5LX02AW units built prior to 4/27/00, order Spacer (#2002906). After 4/26/00, Spacer was added as a product improvement on 5LX02AW models.  
 J - After 4/26/00.  
 K - Includes Resonator and Mounting Hardware.  
 M - Includes Mounts and Hardware.  
 N - Use with IRC5LXO2.

# Compressor and Mounting Hardware Platinum 5 Models



SRE\_016A

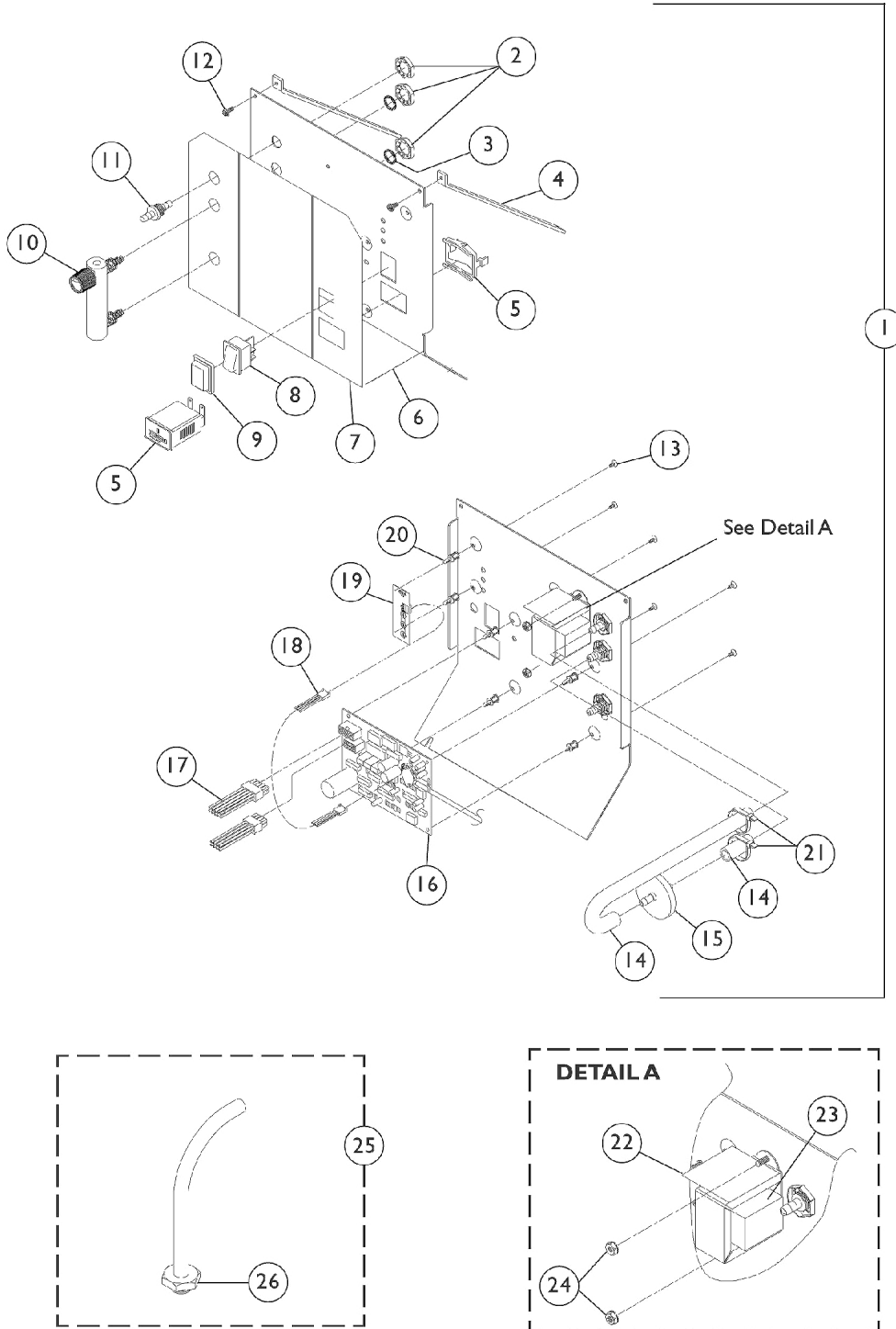
## Compressor and Mounting Hardware Platinum 5 Models

Item Number	Note	Part Number	Description	Quantity Per	
				Package	Assembly
1	A	1110825-NLA	NLA - Tech Only - Compressor with Mounting Hardware	1	1
2		1108819	Fitting, Elbow (1/2" Beaded Hose x 1/4" NPT)	1	2
3		1105504-NLA	NLA - Spring, Compressor Mount	1	4
3		1150581	Spring, Compressor Mount	1	4
4		1106446-NLA	NLA - Pin, Spring Retainer	1	4
4		1150580	Pin, Spring Retainer	1	4
5		1107411	Glide, Pin	1	4
6	B	1186230	Kit, Compressor Restraint Bracket w/ Hardware	1	1
7			Bracket, Restraint, Compressor	1	1
8			NLA - Bumper, Bracket	1	1
9			Bumper, Restraint Bracket, Compressor	1	1
10			NLA - Screw, Phillips Hex Washer Head w/ Patch (1/4-20 x 3/4")	1	1
11			Retainer, Push (1/4")	1	1

NOTE: A - Includes Compressor and items 3 - 5.  
B - Includes items 7 - 11.

# Control Panel and PC Board

## Non Platinum 5 Models



## Control Panel and PC Board Non Platinum 5 Models

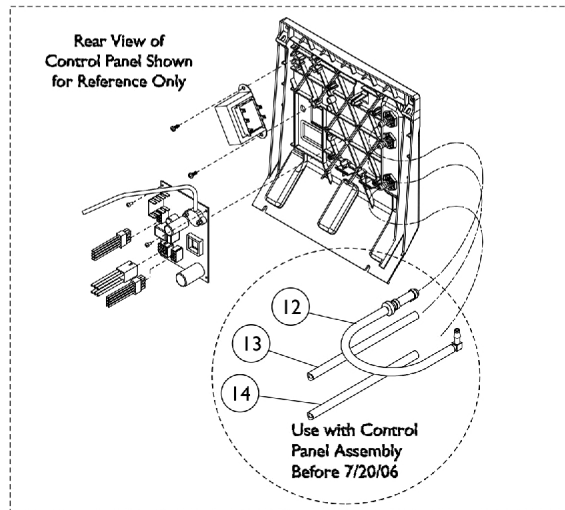
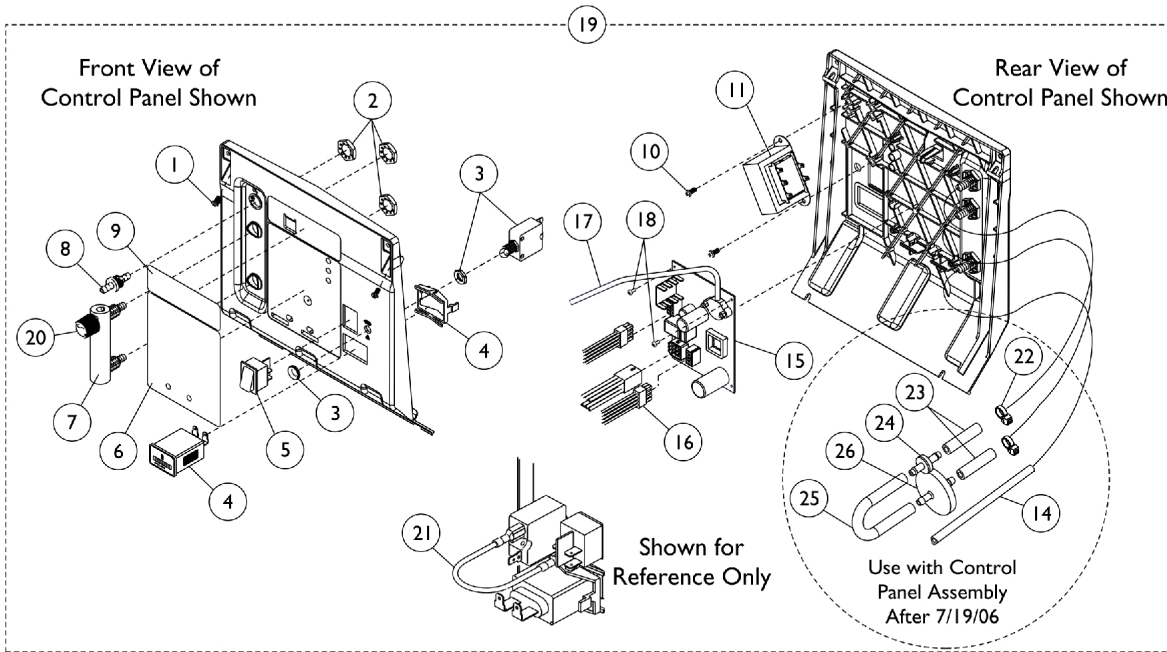
Item Number	Note	Part Number	Description	Quantity Per	
				Package	Assembly
1	A	1102874-NLA	NLA - Control Panel (IRC5LX) Assembly	1	1
1	B	1102875-NLA	NLA - Control Panel Assembly (IRC5LXO2) Assembly	1	1
2		2000507	Palnut (9/16-18)	1	3
3		2001139	O-Ring (1/2" I.D.)	1	2
4		2000464-NLA	NLA - Support, Control Panel	1	2
5		2002939-NLA	NLA - Tech Only - Hour Meter Assembly with Clip	1	1
6		2002811-NLA	NLA - Panel, Control	1	1
7	C	1081282	Label, English - IRC5LX	1	1
7	C	1081283-NLA	NLA - Label, English - IRC5LXO2AW	1	1
7	C	1071428	Label, Spanish - IRC5LX	1	1
7	C	1071430	Label, Spanish - IRC5LXO2	1	1
7	C	1079322	Label, Brazilian Portuguese - IRC5LX	1	1
7	C	1079323	Label, Brazilian Portuguese - IRC5LXO2	1	1
7	D	1102877	Label, Control Panel, Logo	1	1
7	D	1102876	Label, Control Panel, English - IRC5LX	1	1
7	D	1102878	Label, Control Panel, English - IRC5LXO2	1	1
7	D	1102921	Label, Control Panel, English - IRC5LX	1	1
7	D	1102922	Label, Control Panel, Spanish - IRC5LXO2	1	1
7	D	1102923	Label, Control Panel, Brazilian Portuguese - IRC5LX	1	1
7	D	1102924	Label, Control Panel, Brazilian Portuguese - IRC5LXO2	1	1
8		2002875-NLA	NLA - Switch, On/Off	1	1
9		2001141-NLA	NLA - Seal, Switch	1	1
10	E	2002839-NLA	NLA - Meter, Flow (0-5 LPM)	1	1
	G	1071275-NLA	NLA - Kit, Set-Up Pediatric Flowmeter	1	1
			Tubing, Oxygen Supply (21' L)	1	1
			Tubing, Oxygen Supply (7' L)	1	2
			NLA - Connector, Tubing	1	1
			Adapter, Humidifier Bottle	1	1
			Instruction Manual, Pediatric Flowmeter IRCPF16	1	1
11		2000473	Connector, Barbed (1/4")	1	1
12		2003065-NLA	NLA - Screw, Phillips Hex Washer Head (#8-32 x 3/8")	1	2
12		1128404	Screw, Phillips Hex Washer Head (#8-32 x 3/8")	1	2
13		1028794-NLA	NLA - Screw, Phillips Truss Head Tap (#6 x 1/4")	1	6
14		2000897	Tubing, Tygon (1/4 x 24")	1	1
15		P0750X030	Filter, Patient HEPA Outlet	1	1
16		1069477-NLA	NLA - P.C. Board (IRC5LX)	1	1
16		1079446	P.C. Board (IRC5LXO2)	1	1
17		2002577-NLA	NLA - Harness, Wiring (24V)	1	1
18		2001762-NLA	NLA - Harness, Wire-Sensor - IRC5LXO2	1	1

## Control Panel and PC Board Non Platinum 5 Models

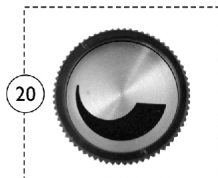
Item Number	Note	Part Number	Description	Quantity Per	
				Package	Assembly
19		1061773-NLA	NLA - Remote LED Assembly, Sens O2 - IRC5LXO2	1	1
20		1036162	Stand-Off, P.C. Board	1	6
21		2001682	Tie Wrap (8" L)	1	2
22		2002553-NLA	NLA - Insulator, Transformer	1	1
23	F	1105391-NLA	NLA - Transformer Kit	1	1
24		P0870X050-NLA	NLA - Nut, Keps (#6-32)	1	2
25		2000799	Adapter with Tubing for Humidifier Bottle	1	1
26		2000503	Adapter, Humidifier Bottle	1	1
NOTE: A - Includes items 2-17 and 20-24. B - Includes items 2-24. C - Before 6/28/01. D - After 6/27/01. E - Includes Item 2. F - Includes Insulator and Kep Nuts. G - Not Shown.					



# Control Panel and PC Board Platinum 5 Models

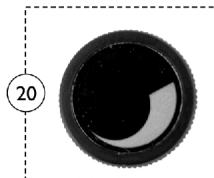


1128379



Used with Flowmeters that have an Indented Phillips Head Screw on top.

1128370



Used with Flowmeters that have a Slotted Head Screw on top.

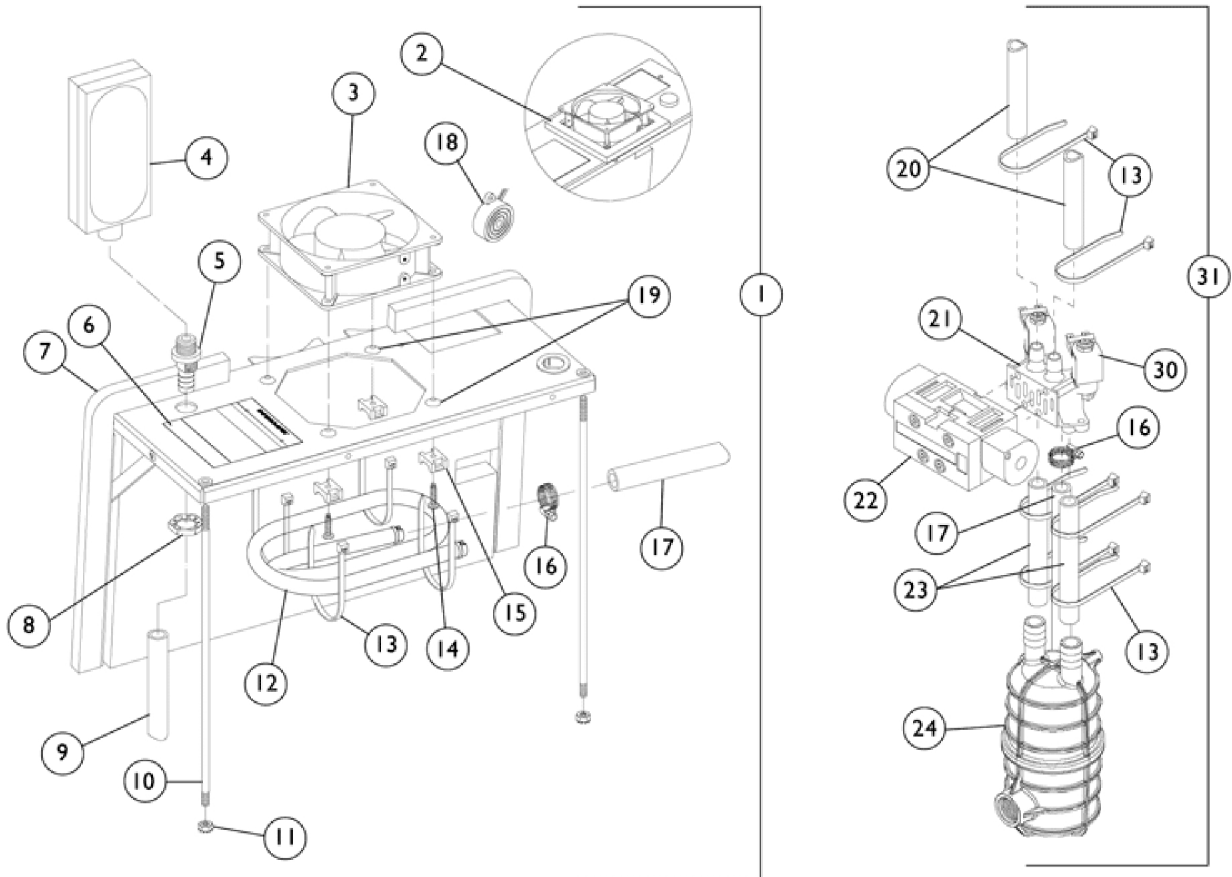
## Control Panel and PC Board Platinum 5 Models

Item Number	Note	Part Number	Description	Quantity Per	
				Package	Assembly
1		2003065-NLA	NLA - Screw, Phillips Hex Washer Head (#8-32 x 3/8")	1	2
1		1128404	Screw, Phillips Hex Washer Head (#8-32 x 3/8")	1	2
2		2000507	Palnut (9/16-18)	1	3
3		1110824-NLA	NLA - Tech Only - Circuit Breaker (4 AMP)	1	1
4		2002939-NLA	NLA - Tech Only - Hour Meter Assembly with Clip	1	1
5		2001134	Switch, On/Off	1	1
6		1110835	Decal, Control Panel - IRC5LX	1	1
6		1110830	Decal, Control Panel - IRC5LX02	1	1
7		1110823-NLA	NLA - Meter, Flow (0-5 LPM)	1	1
7		1110561	Flowmeter without Palnuts - 5 Liter	1	1
8		2000473	Connector, Barbed (1/4")	1	1
9	J	See Note	See Footnote	1	1
10		1102696	Screw, Phillips Pan Head SEMS (#8-32 x 3/8")	1	2
11	H	1105385-NLA	NLA - Tech Only - Transformer	1	1
	I	1105391-NLA	NLA - Transformer Kit	1	1
12	A,G	1110779-NLA	NLA - Tubing Assembly, Check Valve Discharge	1	1
13	G	1108815-NLA	NLA - Tubing, Silicon (1/4 x 16-1/4")	1	1
14		1108809	Tubing, PVC (1/4 x 12-3/4")	1	1
15	B	1069477-NLA	NLA - P.C. Board (IRC5LX)	1	1
15		1079446	P.C. Board (IRC5LX02)	1	1
16		1110815	Harness, Wire, 10 Pin	1	1
17		1076275	Tubing, Tygon (1/8 x 18")	1	1
18		2001902-NLA	NLA - Screw, Phillips Pan Head (#4-40 x 1/4")	1	2
19		1110836-NLA	NLA - Control Panel (IRC5LX) Assembly	1	1
19		1110831-NLA	NLA - Control Panel (IRC5LX02) Assembly	1	1
20	D	1128379-NLA	NLA - Package, Knob, Flowmeter, Silver w/ Black Swish (Pkg. of 10)	10	1
20	C	1128380	Package, Knob, Flowmeter, Black w/ Silver Swish	10	1
21		2001764	Jumper Wire Assembly	1	1
22	E,F	2001682	Tie Wrap (8" L)	1	2
23	E,F	1110473	Tubing, PVC (1/4 x 1-3/4")	1	2
24	E,F	2000436	Check Valve, Barb (5/16")	1	1
25	E,F	1143144	Tubing, PVC (1/4 x 5")	1	1
26	E,F	P0750X030	Filter, Patient HEPA Outlet	1	1

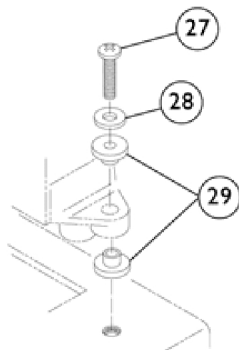
NOTE: A - Includes (2 each) Tubing, Check Valve, Elbow and Tie Wrap.  
 B - Includes Item 17.  
 C - Knob is black with silver "swish". Used on Flowmeters with a Slotted Head Screw on top.  
 D - Knob is silver with black "swish". Used on Flowmeters with an Indented Phillips Head Screw on top.  
 E - "After 7/19/06" the location of the HEPA Filter has changed. The HEPA Filter is now located inside the cabinet.  
 F - For use with Control Panel Assembly "After 7/19/06."  
 G - For use with Control Panel Assembly "Before 7/20/06."  
 H - Individual item no longer available, refer to Transformer Kit Part #1105391 for replacement.  
 I - Includes Transformer, Nuts and Insulator.  
 J - No longer available as a service part in the field.

# Sound Box Assembly

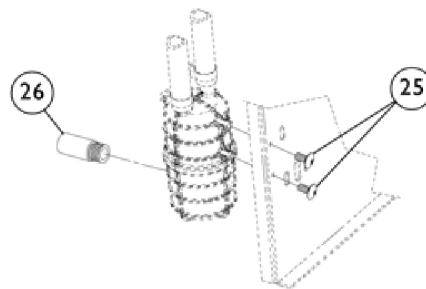
## Non Platinum 5 Models



**Valve, Manifold,  
and Muffler**



**Manifold Mounting Hardware**



**Muffler Mounting Hardware**

## Sound Box Assembly Non Platinum 5 Models

Item Number	Note	Part Number	Description	Quantity Per	
				Package	Assembly
1	B	1080182-NLA	NLA - Sound Box Top Assembly	1	1
2		1073613-NLA	NLA - Gasket, Foam	1	1
3	N	See Note	See Footnote	1	1
4	K	1108078-NLA	NLA - Filter, Inlet	1	1
4		1131249	Filter, Inlet Sound Reduced	1	1
5		2001096-NLA	NLA - Fitting, Bulk Head (1/2")	1	1
6		2002997-NLA	NLA - Label, Diagnostic - IRC5LX02	1	1
7		2001802-NLA	NLA - Sound Box Top with Brackets	1	1
8		P0875X720	NLA - Nut (3/4-16)	1	1
9	C	2000903-NLA	NLA - Tubing, Braided (1/2 X 24")	1	1
9	D	1088281-NLA	NLA - Tubing, Silicon (1/2 x 5")	1	1
	A	2001194-NLA	Spring, Compression (17-1/4")	1	1
10	C	2000411-NLA	NLA - Rod, Support	1	2
11		P0870X030-NLA	NLA - Nut, Keps (1/4-20)	1	2
12	L	1085014-NLA	NLA - Exchanger, Heat	1	1
12		2000884-NLA	NLA - Kit, Heat Exchanger	1	1
12			NLA - Exchanger, Heat	1	1
13			Tie Wrap (8" L)	1	4
16			Clamp, Hose	1	2
13		2001682	Tie Wrap (8" L)	1	10
14		1076750-NLA	NLA - Screw, Phillips Pan Head (10-24 x 3/4")	1	4
15		2000755-NLA	NLA - Mount, Cable Tie	1	4
16		P0876X026	Clamp, Hose	1	1
17		2001375	Hose, Reinforced Silicon (1/2 x 8-1/2")	1	1
	A	2000765-NLA	NLA - Spring, Extension (7/16 x 7-1/2" L)	1	1
18		2001765	Harness, Horn/Alarm	1	1
19	E	2000834	Grommet	1	4
20		2002264	Tubing, Reinforced Braided (1/2 x 26")	1	2
21		1105552	Kit, 4 Way Valve/Manifold Service	1	1
			NLA - Manifold Assembly	1	1
			Kit, 4-Way Valve w/ Screws	1	1
			Hose, Reinforced Silicon (1/2 x 8-1/2")	1	1
			Tubing, Reinforced Braided (1/2x 4-1/8")	1	2
			Clamp, Hose	1	1
			Tubing, Reinforced Braided (1/2 x 26")	1	2
			Tie Wrap (8" L)	1	6
			Clamp, Plastic (1/2")	1	2
			Bushing, Step (1/2")	1	4
			Washer, Flat (#8)	1	2
			NLA - Screw, Phillips Pan Head (#8-32 x 3/4")	1	2
			NLA - Resistor Service Assembly	1	1
			Tie Wrap, Banded (3-29/32" L)	1	2
			Instruction Sheet	1	1

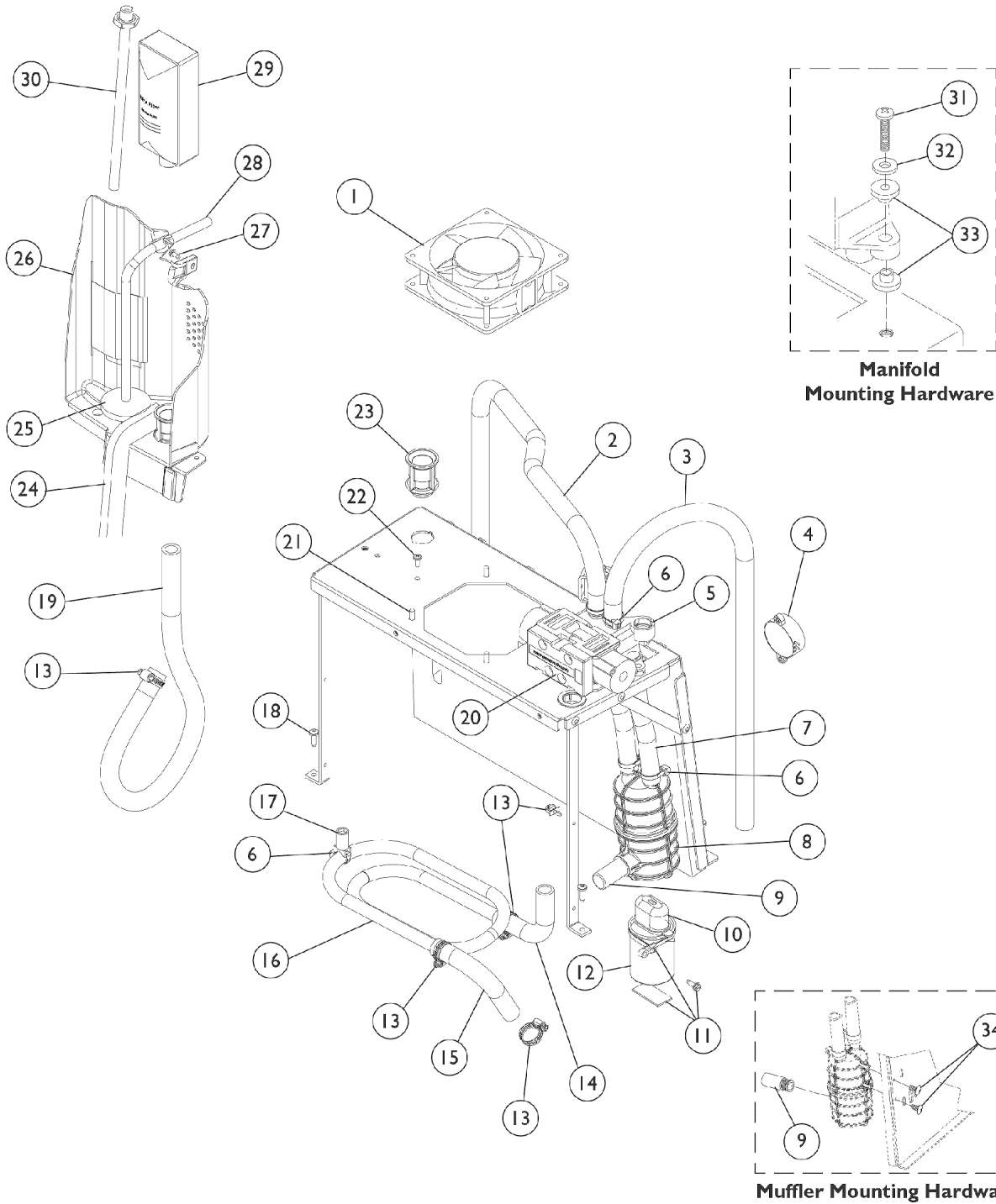
## Sound Box Assembly Non Platinum 5 Models

Item Number	Note	Part Number	Description	Quantity Per	
				Package	Assembly
22		1083005-NLA	NLA - Valve, 4-Way with Screen	1	1
23	C	2002265-NLA	NLA - Tubing, Reinforced Braided (1/2 x 5-1/4")	1	2
23	D	1095209	Tubing, Reinforced Braided (1/2x 4-1/8")	1	2
24	D,H	1095538-NLA	NLA - Kit, Muffler Retro-Fit	1	1
			NLA - Muffler Assembly	1	1
			NLA - Screw, Phillips Pan Head (#10-16 x 1/2")	1	2
			Screw, Socket Button Head (1/4-20 x 3/8")	1	1
			NLA - Bracket, Mounting	1	1
			Clip, Flange	1	1
			NLA - Instruction Sheet	1	1
25	C	1085696	NLA - Screw, Phillips Truss Head (1/4-20 x 1/2")	1	1
25	D	1087225-NLA	NLA - Screw, Phillips Pan Head (#10-16 x 1/2")	1	2
26		2001116	Uni-Muffler	1	1
27		1090138-NLA	NLA - Screw, Phillips Pan Head (#8-32 x 3/4")	1	2
28		P0870X490	Washer, Flat (#8)	1	2
29		2001815	Bushing, Step (1/2")	1	4
30	M	2003052	Valve, Operator Pilot	1	1
		1085112	O-Ring, Pilot Valve (35/64" I.D.)	1	1
	A,I	1080971-NLA	NLA - Kit, Pilot Coil Replacement	1	1
			NLA - Coil, Pilot	1	1
			NLA - Instruction Sheet, Pilot Coil	1	1
	A,J	1080973-NLA	NLA - Kit, Pilot Valve Stem and Poppet Replacement	1	1
			NLA - Pilot Valve Poppet and Stem	1	1
			NLA - Instruction Sheet, Pilot Coil	1	1
31	F,G	2001803-NLA	NLA - Valve Sub-Assembly	1	1

NOTE: A - Not Shown.  
 B - Includes Items 2-19.  
 C - Before 4/10/00.  
 D - After 4/9/00.  
 E - After 7/31/00.  
 F - Includes 13, 16-17, 20-24 and 30.  
 G - When ordering Valve Sub-Assembly for units built before 4/10/00, it is required the Muffler Retro Kit (#1095538) be ordered as well.  
 H - Includes Muffler and Mounting.  
 I - Includes Pilot Coil and Instruction Sheet.  
 J - Includes Pilot Valve Poppet and Instruction Sheet.  
 K - Item no longer available, refer to Part #1131249.  
 L - Part Number 1085014 is No Longer Available by itself. Refer to the Heat Exchanger Kit part number 2000884  
 M - A new Pilot Valve O-Ring part #1085112 is recommended when ordering a new Operator Pilot Valve  
 N - Part number is no longer serviceable in the field.

# Sound Box Assembly

## Platinum 5 Models



## Sound Box Assembly Platinum 5 Models

Item Number	Note	Part Number	Description	Quantity Per	
				Package	Assembly
1	J	See Note	See Footnote	1	1
2		1108783	Tubing, Braided (1/2 x 23")	1	1
3		1108784	Tubing, Braided (1/2 x 20-1/4")	1	1
4		2001765	Harness, Horn/Alarm	1	1
5	A,B	1108085	Manifold/Valve Assembly	1	1
6		2001682	Tie Wrap (8" L)	1	5
7		1110848-NLA	NLA - Tubing, Braided (1/2 x 6-3/16")	1	2
8		1085872-NLA	NLA - Muffler Assembly	1	1
9		2001116	Uni-Muffler	1	1
10		P0875X560-NLA	NLA - Boot, Terminal	1	1
11	C	1110776-NLA	NLA - Capacitor Mounting Hardware	1	1
12		1068698-NLA	NLA - Tech Only - Capacitor, 15 MFD	1	1
13		P0876X026	Clamp, Hose	1	5
14		1108822	Elbow, PVC Formed (1/2 x 2-1/2 x 2-1/2")	1	1
15	G	1106698-NLA	NLA - Elbow, Silicon (1/2 x 3-1/2")	1	1
16	G	1107422-NLA	NLA - Exchanger, Heat	1	1
	E,H	1108817	Heat Exchanger Assembly	1	1
17		1110780-NLA	NLA - Stand-Off, Heat Exchanger	1	1
18		1108810	Screw, Hi-Lo Six Lobe Drive (#10-16 x 5/8")	1	7
19		1108086-NLA	NLA - Tubing (1/2 x 19")	1	1
19		1112561	Tube, Compressor	1	1
20		1101141	Kit, 4-Way Valve w/ Screws	1	1
	E	1101141R	Valve, Reconditioned	1	1
	E	1101141E-NLA	Kit, Valve - Warranty Replacement	1	1
			Valve, Reconditioned	1	1
			Gasket	1	1
			Screw, Socket Head (M5 x .8 x 2mm)	1	4
21		1110852	Screw, Slotted Hex Washer Head (#10-24 x 1/2")	1	4
22		1003363-NLA	NLA - Screw, Phillips Pan Head (#8-32 x 3/8")	1	1
22		1128404	Screw, Phillips Hex Washer Head (#8-32 x 3/8")	1	1
23		1106675	Coupling, Inlet Filter	1	1
24		2000812	Seal, Foam	1	2
25	F	P0750X030	Filter, Patient HEPA Outlet	1	1
26		1110777-NLA	NLA - Partition	1	1
26		1115183	Partition Assembly	1	1
27		2003065-NLA	NLA - Screw, Phillips Hex Washer Head (#8-32 x 3/8")	1	1
27		1128404	Screw, Phillips Hex Washer Head (#8-32 x 3/8")	1	1
28		1108815-NLA	NLA - Tubing, Silicon (1/4 x 16-1/4")	1	1
29	D	1108078-NLA	NLA - Filter, Inlet	1	1
29		1131249	Filter, Inlet Sound Reduced	1	1
30		1110768-NLA	NLA - Tech Only - Adaptor, Humidifier Bottle	1	1
30		2000799	Adapter with Tubing for Humidifier Bottle	1	1

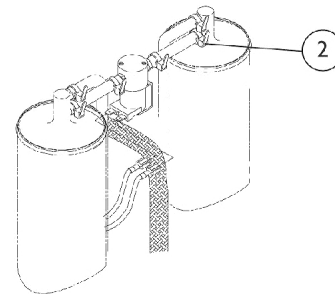
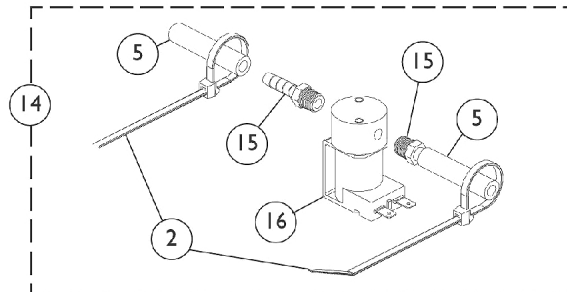
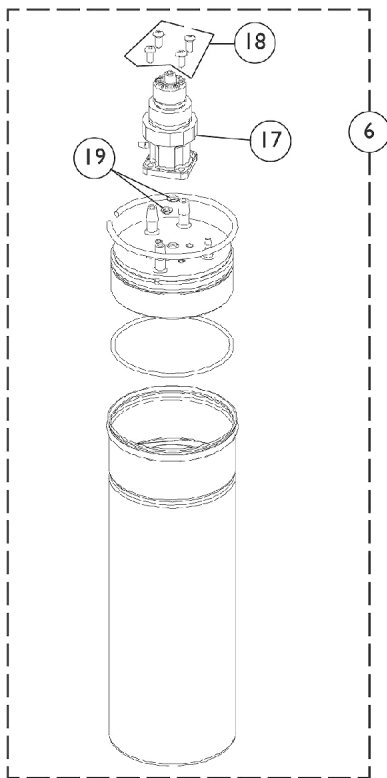
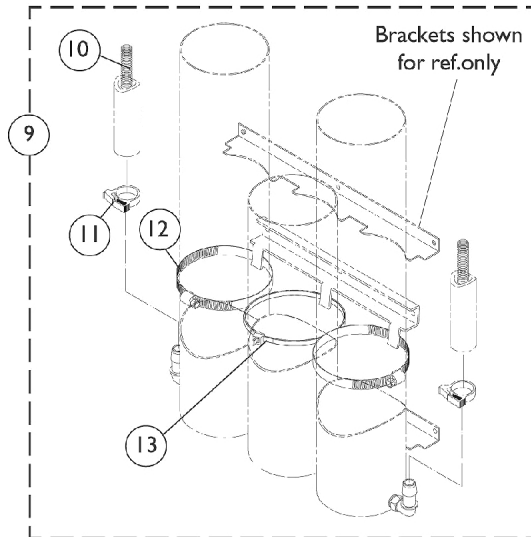
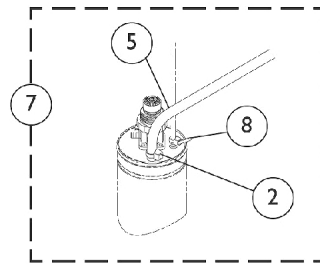
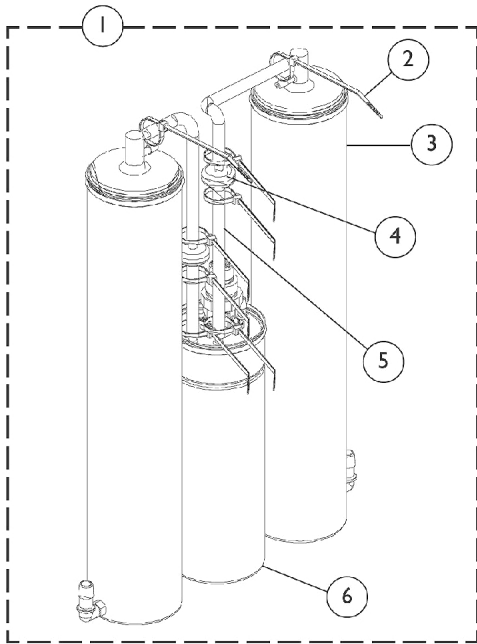
## Sound Box Assembly Platinum 5 Models

Item Number	Note	Part Number	Description	Quantity Per	
				Package	Assembly
31		1090138-NLA	NLA - Screw, Phillips Pan Head (#8-32 x 3/4")	1	2
32		P0870X490	Washer, Flat (#8)	1	2
33		2001815	Bushing, Step (1/2")	1	4
34		1087225-NLA	NLA - Screw, Phillips Pan Head (#10-16 x 1/2")	1	2
	E	2003052	Valve, Operator Pilot	1	1
<p>NOTE: A - Manifold is not available as a separate item. Must order item 5, Manifold/Valve Assembly.            B - Includes Items 2-3, 6-8, 13, 14 and 20.            C - Includes Screw, Tie Wraps and Foam Tape.            D - Item no longer available, refer to Part #1131249.            E - Not Shown.            F - After 7/19/06 the Hepa Filter was moved to the inside of cabinet, located between the Flow Meter and the Patient Outlet Barb. See "Control Panel and P.C. - Plat. 5 " category to view reflective changes.            G - Item no longer available, use Item 1108817 as its replacement.            H - Includes Heat Exchanger, Standoff, and Tie Wrap.            J - Part number is no longer serviceable in the field.</p>					



# Sieve Bed Assembly and Product Tank

## Non Platinum 5 Models



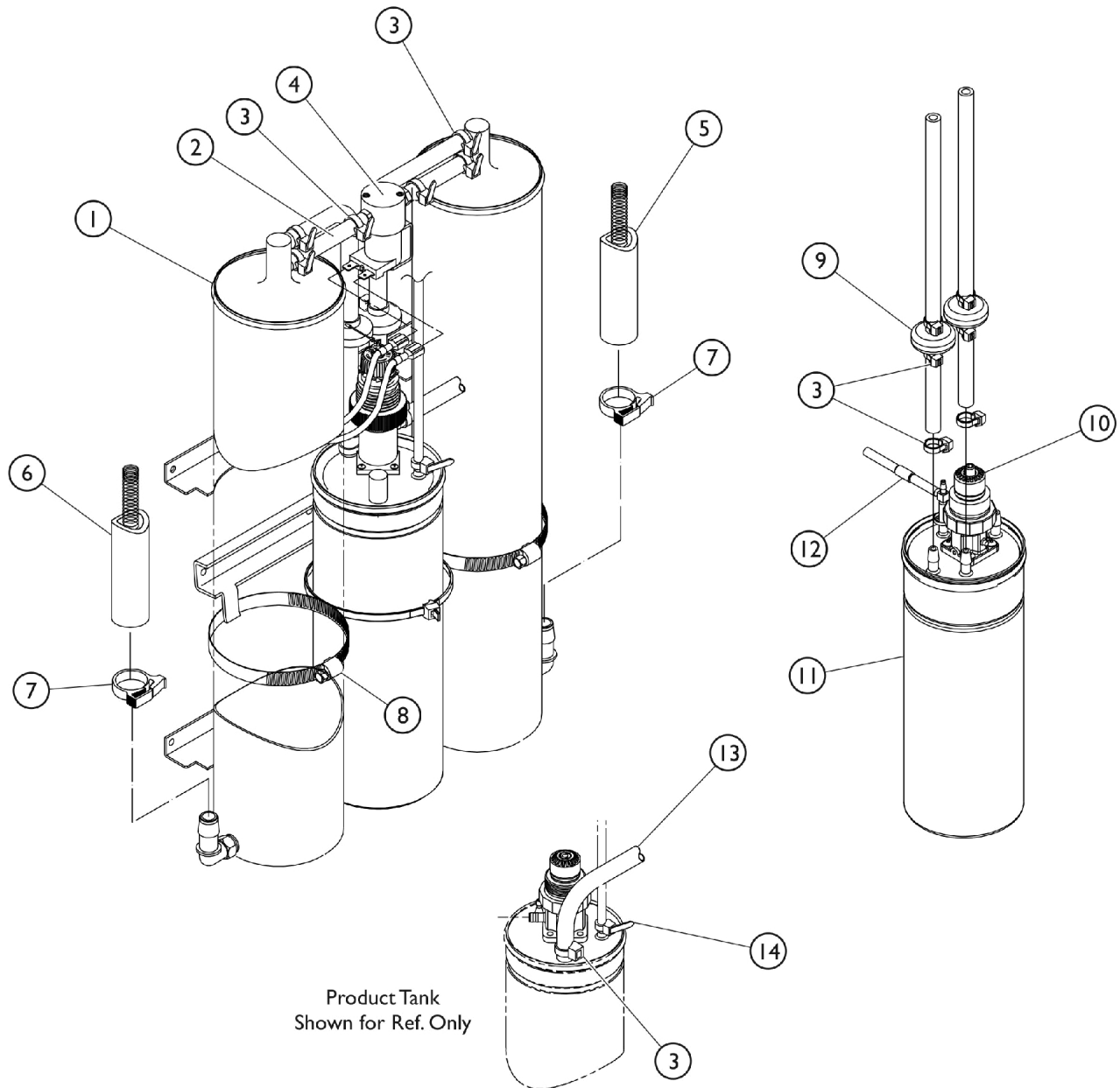
## Sieve Bed Assembly and Product Tank Non Platinum 5 Models

Item Number	Note	Part Number	Description	Quantity Per	
				Package	Assembly
1	A	1102839-NLA	NLA - Sieve Bed/Product Tank Assembly (IRC5LX)	1	1
1	A,N	1102838-NLA	NLA - Sieve Bed/Product Tank Assembly (IRC5LX02)	1	1
1	O,T	1101707	Sieve Bed Assembly (Pair)	1	1
2		2001682	Tie Wrap (8" L)	1	8
3	B,T	1101707	Sieve Bed Assembly (Pair)	2	1
4		2000436	Check Valve, Barb (5/16")	1	2
5		2000897	Tubing, Tygon (1/4 x 24")	1	1
6	C,R	1082588-NLA	NLA - Product Tank Assembly - IRC5LX	1	1
6		1114925-NLA	NLA - Product Tank Assembly - IRC5LX	1	1
6	C	1075665-NLA	NLA - Product Tank Assembly - IRC5LX02	1	1
6	C	1130681	Product Tank Assembly	1	1
7	D	1082587-NLA	NLA - Hardware, Product Tank Mounting - IRC5LX	1	1
7	D	1076216-NLA	NLA - Hardware, Product Tank Mounting - IRC5LX02	1	1
8		1070050	Tie Wrap (3-29/32" L)	1	2
9	E	2001806-NLA	NLA - Hardware, Sieve Bed/Product Tank Mounting	1	1
10		2002391-NLA	NLA - Spring, Compression (13/32 x 28")	1	2
11		2001652	Clamp, Plastic (1/2")	1	2
12		1002807	Clamp, Hose	1	2
13		1089455	Tie Wrap (15-1/4" L)	1	4
14	F	2001656	PE Valve Assembly w/ Fitting	1	1
	G,K	1080970	NLA - Kit, PE Coil Replacement	1	1
			Coil, PEI	1	1
			Kit, PE Coil/Valve Instruction Sheet	1	1
	K,L	1080972	Kit, PE Valve Stem and Poppet Replacement	1	1
			PE Valve Poppet and Stem	1	1
			Kit, PE Coil/Valve Instruction Sheet	1	1
	M	1149649	Kit, PE Valve w/ Fittings	1	1
15			NLA - Fitting, Barb (1/4 x 1/8")	1	2
16			Valve, PE w/ Restrictor (24V Coil)	1	1
17	S	1182123	Kit, Regulator and Adaptor, No-Bleed Regulator	1	1
			Regulator/Adaptor Assembly, No-Bleed Regulator	1	1
			Screw, Socket Button Head Cap, Regulator (8-32 x 3/8")	1	4
			NLA - O-Ring (11/64" I.D.)	1	2
17	S	1182024	Kit, Regulator and Adaptor w/ Bled Regulator	1	1
18		1075666	Screw, Socket Button Head Cap, Regulator (8-32 x 3/8")	1	4
19		2002590-NLA	NLA - O-Ring (11/64" I.D.)	1	2
	I,K	2001671	NLA - Kit, Pressure Gauge Tap In without Gauge	1	1
			NLA - Fitting, Tee Barb (1/4")	1	1
			NLA - Plug, Hose (1/4")	1	1
			NLA - Clamp (1/4")	1	4

## Sieve Bed Assembly and Product Tank Non Platinum 5 Models

Item Number	Note	Part Number	Description	Quantity Per	
				Package	Assembly
	J,K,P	2001673-NLA	NLA - Tubing, Silicone (1/4 x 16")	1	1
			Instruction Sheet	1	1
			NLA - Kit, Pressure Gauge Tap In with Gauge	1	1
			NLA - Fitting, Tee Barb (1/4")	1	1
			NLA - Plug, Hose (1/4")	1	1
			NLA - Clamp (1/4")	1	4
			NLA - Tubing, Silicone (1/4 x 16")	1	1
			NLA - Kit, Pressure Gauge	1	1
			Instruction Sheet	1	1
				2001674-NLA	NLA - Kit, Pressure Gauge
<p>NOTE: A - Includes items 2-6.            B - Includes (2) Sieve Beds, (2) Clamps, (2) Hose Clamps and (4) Tie Wraps.            C - Includes items 17-19.            D - Includes items 2, 5 and 8.            E - Includes items 10-13.            F - Includes items 2, 5, 15 and 16.            G - Includes PE Coil and Instruction Sheet.            I - Includes Clamps, Tubing, Hose Plug, Fitting and Instruction Sheet.            J - Includes Clamps, Tubing, Hose Plug, Fitting, Gauge and Instruction Sheet.            K - Not Shown.            L - Includes PE Valve Poppet and Instruction Sheet.            M - Includes items 15-16.            N - Item no longer available, refer to Part #1110783.            O - Includes: (2) Sieve Beds, (4) Hose Clamps and (4) Tie Wraps.            P - Item no longer available. Please order part #2001671 and 2001674 as a replacement.            R - Item no longer available. Please order part #1114925 as a replacement.            S - Kit includes the Regulator, Adaptor, Restrictor, Tubing, Screws, Cable Ties, and O-Rings.            T - May contain reactivated sieve.</p>					

# Sieve Bed Assembly and Product Tank Platinum 5 Models



## Sieve Bed Assembly and Product Tank Platinum 5 Models

Item Number	Note	Part Number	Description	Quantity Per	
				Package	Assembly
1	A,I	1101707	Sieve Bed Assembly (Pair)	2	2
2		1110774	Tubing, PVC (1/4 x 2-1/2")	1	2
3		2001682	Tie Wrap (8" L)	1	9
4	B	2001656	PE Valve Assembly w/ Fitting	1	1
5		1108783	Tubing, Braided (1/2 x 23")	1	1
6		1108784	Tubing, Braided (1/2 x 20-1/4")	1	1
7		2001652	Clamp, Plastic (1/2")	1	2
8		1002807	Clamp, Hose	1	2
9		1143544	Check Valve Assembly (9")	1	2
10	H	1182123	Kit, Regulator and Adaptor, No-Bleed Regulator	1	1
			Regulator/Adaptor Assembly, No-Bleed Regulator	1	1
			Screw, Socket Button Head Cap, Regulator (8-32 x 3/8")	1	4
			NLA - O-Ring (11/64" I.D.)	1	2
10	H	1182024	Kit, Regulator and Adaptor w/ Bled Regulator	1	1
11	E,G	1082588-NLA	NLA - Product Tank Assembly - IRC5LX	1	1
11		1114925-NLA	NLA - Product Tank Assembly - IRC5LX	1	1
11	E	1075665-NLA	NLA - Product Tank Assembly - IRC5LX02	1	1
12	D	1106774-NLA	NLA - HomeFill Tubing Assembly	1	1
13		1108809	Tubing, PVC (1/4 x 12-3/4")	1	1
14		1070050	Tie Wrap (3-29/32" L)	1	1
<p>NOTE: A - Includes (2) Sieve Beds, (2) Clamps, (2) Hose Clamps and (4) Tie Wraps.            B - Includes items 2-3, PE Valve and Barb Fitting.            D - Includes Tubing and Fittings.            E - Includes items 8 and 11.            G - Item no longer available. Please order part #1114925 as a replacement.            H - Kit includes the Regulator, Adaptor, Restrictor, O-Rings, Tubing, Screws, and Cable Ties.            I - May contain reactivated sieve.</p>					

**Invacare Corporation**

[www.invacare.com](http://www.invacare.com)



**Yes, you can.**

One Invacare Way  
Elyria, Oh USA  
44036-2125  
800-333-6900

Technical Support  
800-832-4707  
Florida Technical Support  
407-321-5630

Customer Service  
800-333-6900

© 2022 Invacare Corporation, Elyria, Ohio.  
All rights reserved. Trademarks are  
identified by the symbols <sup>TM</sup> and ®. All  
trademarks are owned by or licensed to  
Invacare Corporation unless otherwise  
noted. Palnut is a registered trademark of  
Transtechology Corporation. Information is  
subject to change without notification.  
(Revised 10/31/22)

Form No. 99-176