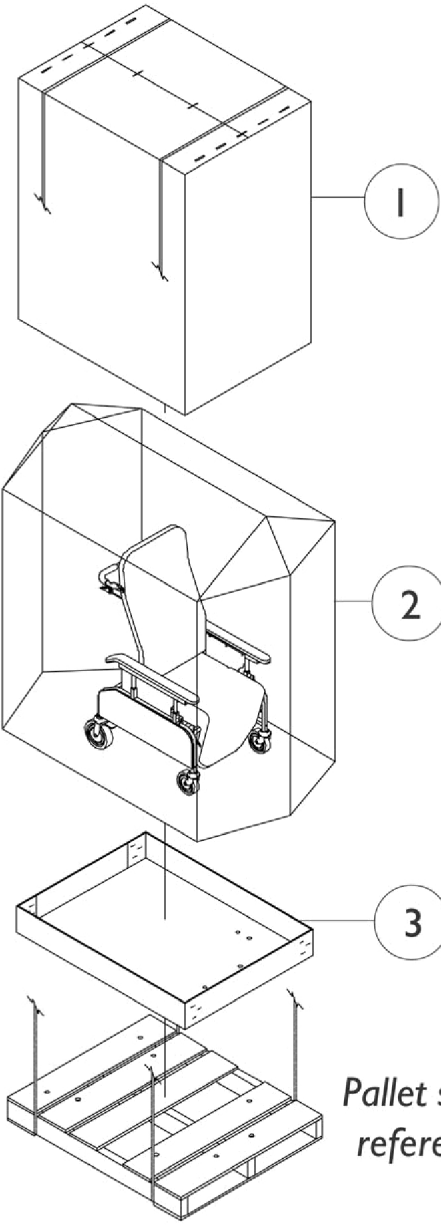


Packaging, Literature and Upholstery Colors



Packaging, Literature and Upholstery Colors

Item Number	Note	Part Number	Description	Quantity Per	
				Package	Assembly
1		1031682	Carton, Cover	1	1
2		1073168-NLA	NLA - Bag, Poly	1	1
3		1030362	Carton, Tray	1	1
	A	1070874-NLA	NLA - Manual, Comfort Plus	1	1
	A	1021149-NLA	NLA - Bag, Poly Zip-Lip (13" L x 9" W)	1	1
	A	See Chart	Upholstery Color	1	1

NOTE: A - Not Shown

UPHOLSTERY COLOR OPTIONS

U250 See Note(s) A	Periwinkle Blue
U251 See Note(s) A	Rose
U252 See Note(s) A	Beige
U253 See Note(s) A	Terra Cotta
U254 See Note(s) A	Mint Green
U255 See Note(s) A	Hunter Green
U28	Rose Mauve
U38	Blue Ridge

NOTE: A - IMPORTANT!!! When replacing upholstery on a CAL 133 rated chair, it must be replaced with the equivalent CAL 133 rated parts. This will allow the chair to maintain its CAL 133 rating.

NOTE: When adjusting or replacing parts please refer to your owners manual for assistance.