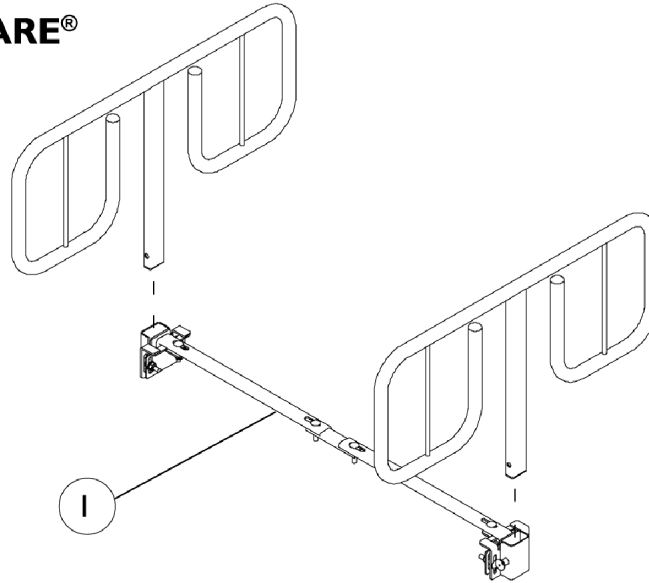


Economy Bed Rail 6640

Model 6640
CAREGUARD™ by INVACARE®



Item Number	Note	Part Number	Description	Quantity Per	
				Package	Assembly
1	A	1082477-NLA	NLA - Kit, Crossbrace	1	1
			Clamp, Side Adjustment	1	2
			NLA - Kit, Homecare Bed Hardware	1	1
			Bolt, Round Hd Square Neck (5/16-18 x 1-1/4")	1	4
			Nut, Hex Lock (5/16-18)	1	6
			NLA - Spacer (5/16 x 3/4 x 1/2")	1	4
			NLA - Screw, Round Head Square Neck (5/16-18 x 2")	1	2
NOTE: A - Crossbrace Kit accommodates both the (Homecare Beds (1105472)) and BAR600 Bariatric Beds. Individual components are not shown.					