

Patriot® SL
Wheelchair



Yes, you can.

Parts Catalog Usage Guide

The information contained in this document is subject to change without notice. This catalog contains service parts for Form No. 98-252. If you have any questions regarding this catalog, please contact one of our Customer Service Representatives.

For Customer Service Support Call:

1-800-333-6900

For Faxed In Orders Call:

1-800-678-4682 or

1-440-366-0709

For Technical Service Call:

1-800-832-4707

Literature Can Be Found at:

www.invacare.com or

1-800-828-6272

SYMBOL DEFINITION

Throughout this catalog you will notice letters to draw your attention to specific footnotes which are located at the bottom of the page or below specified charts.

Examples:

A,B,C etc. = Special Comments

NOTE: = General information pertaining to that specific page

NLA = No Longer Available

HARDWARE MEASUREMENTS

The measurements for the hardware will be listed as follows:

Screws, Bolts Diameter X Thread Count/Pitch X Length

Washers Inside Diameter X Outside Diameter X Thickness

Spacers Inside Diameter X Outside Diameter X Length

For your convenience, we have supplied an area for you to list your Invacare Representatives.

Name	Phone Numbers

© 2022 Invacare Corporation. Elyria, Ohio. Invacare, Patriot, Yes, you can., and the Medallion Design are registered trademarks of Invacare Corporation. Information is subject to change without notification.

TABLE of CONTENTS

Description	Page Number
Accessories - Amputee Attachment & Rear Anti-Tipper	55
Accessories - Back Pack, Seat Pouch and Insert	66
Accessories - Frabic Clothing Protector	57
Accessories - I.V. / Oxygen Holder	64
Accessories - I.V. Rod	62
Accessories - Oxygen Holder	60
Accessories - Positioning Straps & Crutch and Cane Carrier	59
Accessories - Utility Tray	68
Accessories - Wheel Lock Extension Handle	70
Arms - Space Saver Adjustable Height Arms	13
Arms - Space Saver Fixed Height Arms	16
Canes - Back & Hardware	10
Casters - Front and Mounting Hardware	21
Crossbraces & Hardware	8
Forks & Hardware	19
Frames & Hardware	5
Frames Finishes - Upholstery Colors & Packaging	4
Front Riggings - Accessories - Heel Loop Hardware	51
Front Riggings - Legrest Calfpads & Ratchet Assemblies	39
Front Riggings - Legrest Supports - AT5044	37
Front Riggings - Pivot/Slide Tube & 1651 Composite Footplates	47

TABLE of CONTENTS

Description	Page Number
Front Riggings - Pivot/Slide Tube & A1562 - A1564 Aluminum Footplates	44
Front Riggings - Pivot/Slide Tube & AT5543 Adjustable Angle Footplates	41
Front Riggings - Support Assemblies	35
Handrims - Attaching Hardware	29
Handrims & Attaching Hardware Kits	27
Upholstery - Back & Seat	11
Wheel Locks	30
Wheel Locks with Hill Holder	33
Wheels - Rear	23
Wheels - Rear Hardware	25

Frames Finishes, Upholstery Colors and Packaging

Frame Finishes and Touch-Up Paint

Color Number	Touch-Up Paint (.5 oz. bottle)	Color
22P	1033376-NLA	Anthracite
24P	1031450-NLA	Wet Black
71P	N/A	Silver Vein

Upholstery Color Options

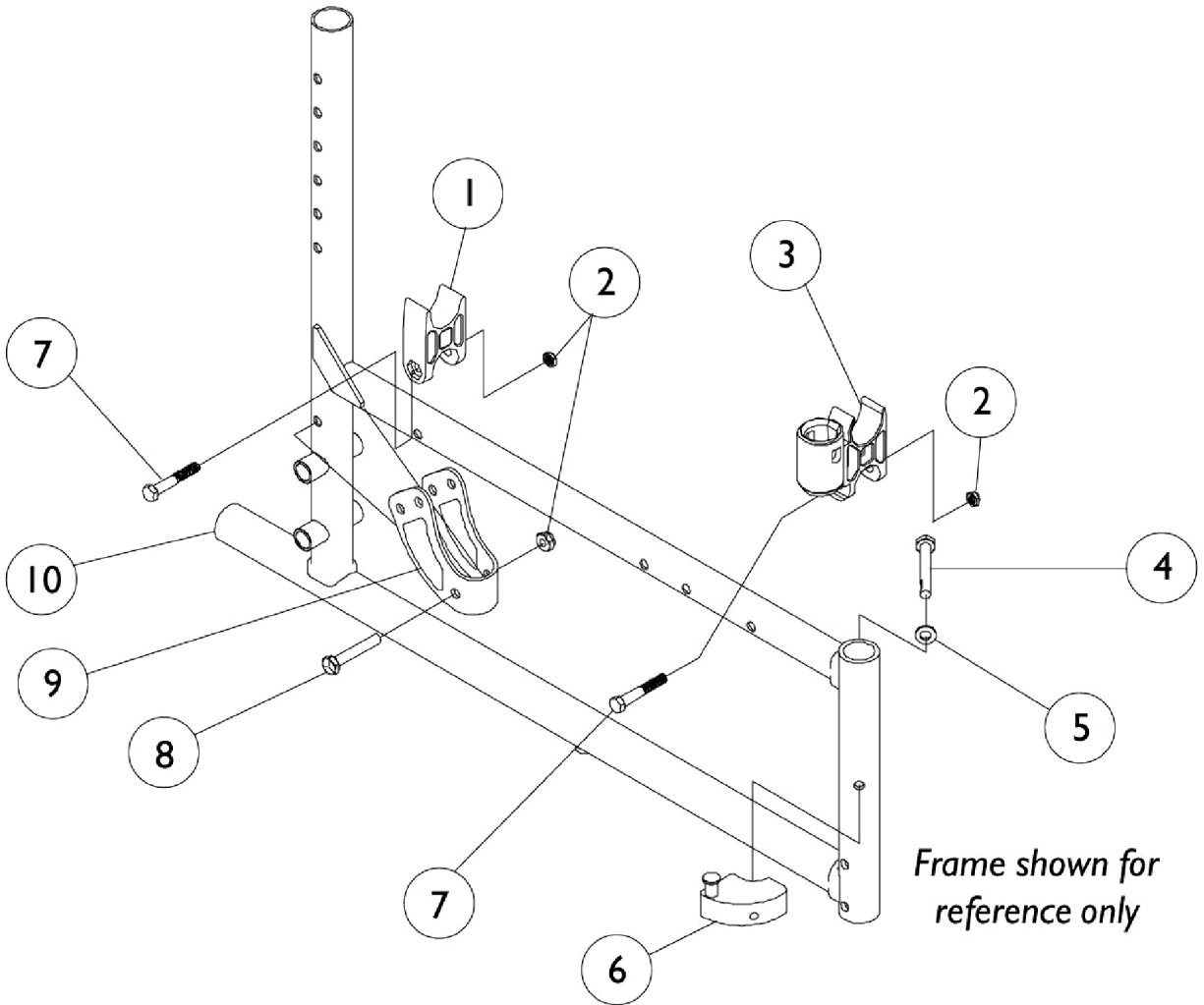
Color Number	Description
U240	Nylon, Black
U245	Sail Cloth, Black

Packaging and Literature

Part Number	Description	Quantity
1081102-NLA See Note(s) A	Packaging Complete, Adult & Hemi - 16" Deep	1
1081103-NLA See Note(s) A	Packaging Kit - 18" Deep	1
1081104-NLA See Note(s) A	Packaging Kit - Oversized	1
00077X031-NLA	Card, Warranty Registration	1
1058407	Wrench Tool Kit	1
1088909-NLA	Owner's Manual	1

NOTE: A - Includes, Cartons, Inserts & Bag

Frames and Hardware



Frames and Hardware

Item Number	Note	Part Number	Description	Quantity Per	
				Package	Assembly
1		1056948	Guide, Seat	1	1
2		7930364-NLA	NLA - Package, Locknut (1/4-20)	25	3
3		1056405-NLA	NLA - H-Block with Socket Cup	1	1
4		1052957	Screw, Hex Head w/ Patch (1/4-20 x 2")	1	2
5		1026907	Washer (1/4 x 1/2 x 1/16")	1	1
6	B	1054571	Kit, Sector Block - Right	1	1
6	B	1054572	Kit, Sector Block - Left	1	1
7		7930350-NLA	NLA - Package, Hex Head Screw (1/4-20 x 1-1/2")	25	2
8		1058561-NLA	NLA - Screw, Hex Head (1/4-20 x 1-1/2")	1	1
9		1056110-NLA	NLA - Bracket, Armrest, Chrome	1	1
9		1066261	Bracket, Armrest, Black	1	1
10		1013869	Cap, End, Tube, Black (1")	1	1
	A,C	1056983-NLA	NLA - Kit, Side Frame Hardware (14" D), (Pair)	2	1
			Locknut (1/4-20)	1	8
			H-Block	1	2
			Screw, Hex Head (1/4-20 x 1-1/2")	1	4
			Pin, Hinge	1	4
			Washer, Plain (1/4 x 1/2 x 9/16")	1	4
			NLA - H-Block with Socket Cup	1	2
	C	See Chart	Frames without Hardware	1	1

NOTE: A - Includes: items 1 thru 3 and item 7. (Pair)
 B - Includes: Items 4 and 5
 C - Not Shown. Part numbers 1181864 and 1163723 are not used for this model.

Frames without Hardware

Chair Model	Frame Side	16" Deep	18" Deep
Chrome	Right	1080311-NLA	1080313-NLA
Chrome	Left	1080312-NLA	1080314-NLA
Color	Right	8881080297-NLA See Note(s) A	8881080299-NLA See Note(s) A
Color	Left	8881080298-NLA See Note(s) A	8881080300-NLA See Note(s) A

NOTE: A - Specify frame color, see page titled "Frame Finishes, Upholstery Colors and Packaging".

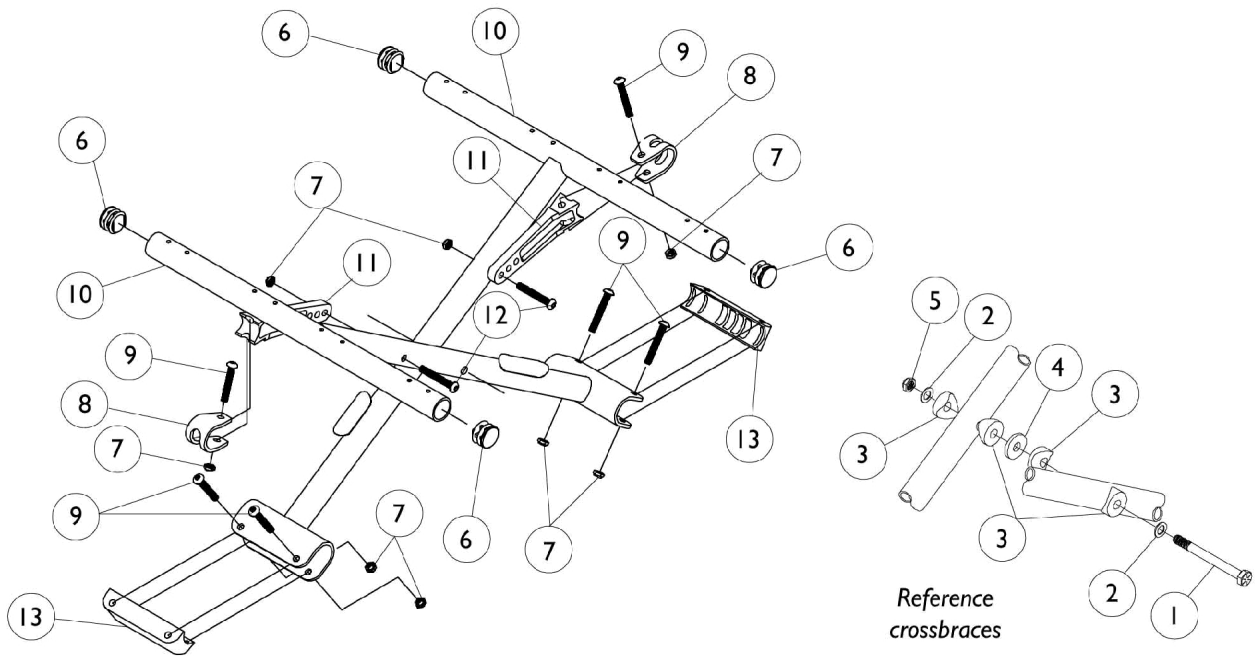
Frames without Hardware - Super Low

Chair Model	Frame Side	16" Deep	18" Deep
Color	Right	8881152599-NLA See Note(s) A	8881152601-NLA See Note(s) A
Color	Left	8881152600-NLA See Note(s) A	8881152602-NLA See Note(s) A

Frames and Hardware

NOTE: A - Specify frame color, see page titled "Frame Finishes, Upholstery Colors and Packaging".

Crossbraces and Hardware



Crossbraces and Hardware

Item Number	Note	Part Number	Description	Quantity Per	
				Package	Assembly
1		1016261	Screw, Hex Head (5/16-24 x 3-1/4")	1	1
2		1016652	Washer (5/16 x 9/16 x 1/32")	1	2
3		1016263	Spacer, Coved (3/4 x 1 x 1/2")	1	4
4		7930313	Package, Washer, Nylon (5/16 x 7/8 x 1/8")	25	1
5		7930363-NLA	NLA - Package, Locknut (5/16"-24)	25	1
6		1029501	Plug Button, Black (1")	1	4
7		7930364-NLA	NLA - Package, Locknut (1/4-20)	25	8
8		1012180	Bracket, Pivot, Black	1	2
9		1008495	Screw, Socket Button Head (1/4-20 x 1-1/2")	1	6
10	D	See Chart	#10 Crossbraces without Hardware	--	--
11	A	1046501	Link, Pivot, Black (14 - 15" W)	1	2
11	B	1012173	Link, Pivot, Black (16 - 18" W)	1	2
11	C	1018238	Link, Pivot, Black (20 - 22" W)	1	2
12		7930301-NLA	NLA - Package, Button Head Cap Screw (1/4-20 x 1-3/4")	25	2
13		1012172-NLA	NLA - Clamp, Saddle	1	2
	D,E	1046925	Hardware, Crossbrace (14 - 15" W)	2	1
	D,E	1034077	Hardware, Crossbrace (16 - 18" W)	2	1
	D,E	1034078	Hardware, Crossbrace (20 - 22" W)	2	1

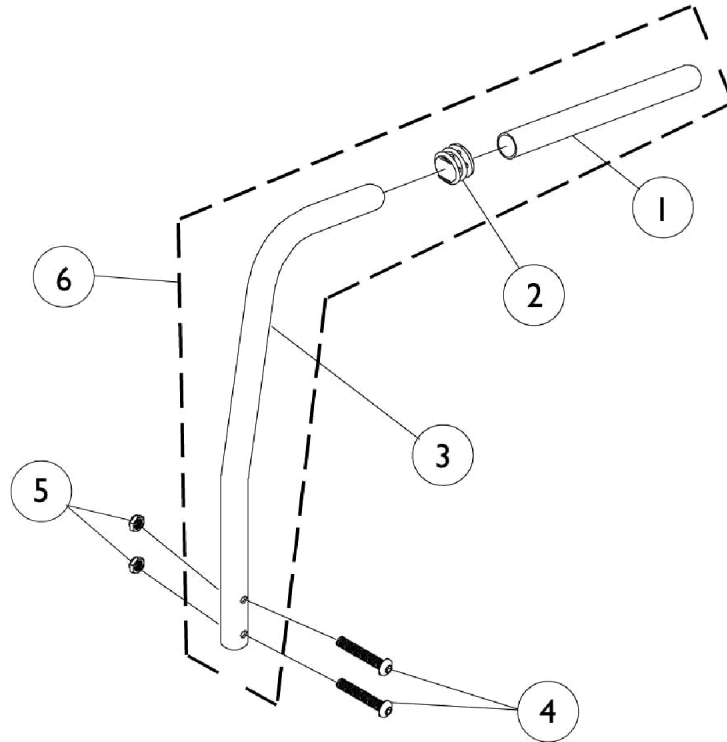
NOTE: A - 14" Wide Chairs
 B - 16" Wide Chairs
 C - 20" Wide Chairs
 D - Not Shown
 E - Includes Items 1-12

#10 Crossbraces without Hardware

(Individual Crossbraces Fit Both Right and Left Sides)

Depth	14" Width	16" Width	17" Width	18" Width	20" Width
16" Depth	1046107-NLA	1016250	1037547-NLA	1016251	1038381-NLA
18" Depth	--	1053344-NLA	1053345-NLA	1053346	1053347

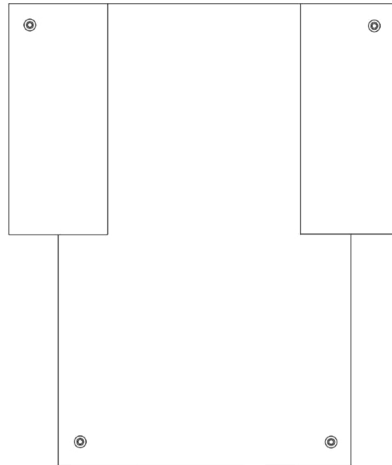
Back Canes and Hardware



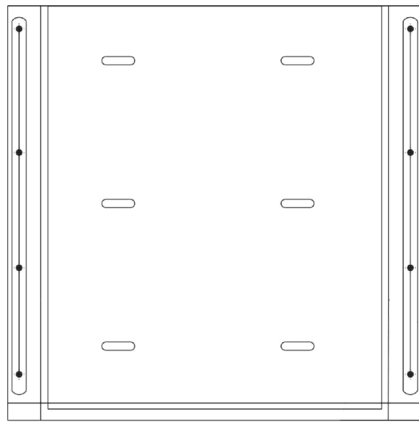
Item Number	Note	Part Number	Description	Quantity Per	
				Package	Assembly
1		1006229	Grip, Foam (8")	1	1
2		1042351	Bushing (3/4")	1	1
3		1042401	Tube, Straight	1	1
3		1020545-NLA	NLA - Cane, Back with Bend	1	1
4		1008432	Screw, Socket Button Head (1/4-20 x 1-1/4")	1	2
5		7930364-NLA	NLA - Package, Locknut (1/4-20)	25	2
6	A	1028372	Back Cane Assembly, 10 Degree Bend	1	1
6	A	1042402-NLA	NLA - Back Cane Assembly, Straight	1	1

NOTE: A - Includes: Items 1-3

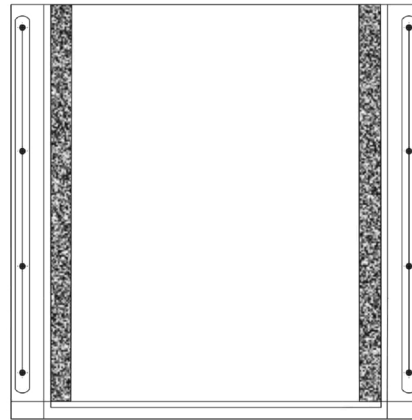
Back/Seat Upholstery



Back Upholstery - Nylon



Seat Upholstery - Nylon



Seat Upholstery - Sail Cloth

Nylon Back Upholstery

Chair Width	Back Type and Height Nylon Wrap-Around 15-19"
14"	8881121434-NLA
16"	8881121435
17"	8881121436
18"	8881121437
20"	8881121438

All Back Upholstery is U240 Black, see page titled "Frame Finishes, Upholstery Colors and Packaging".

Back/Seat Upholstery

Hardware for Back Upholstery

Part Number	Description	Quantity Per Package
1041541	Screw w/ Washer (#10 x 7/8")	12

Seat Upholstery

Width	Nylon 16" Deep	Nylon 18" Deep	Sail Cloth 16" Deep	Sail Cloth 18" Deep
14" W	8881057199	N/A	1031717	N/A
16" W	8881057241	8881057215	1031723	1130944 See Note(s) A
17" W	8881057202	8881057216	1031728	1130945 See Note(s) A
18" W	8881057242	8881057217	1031731	1130946 See Note(s) A
20" W	8881057204	8881057218	1031739	1130948 See Note(s) A

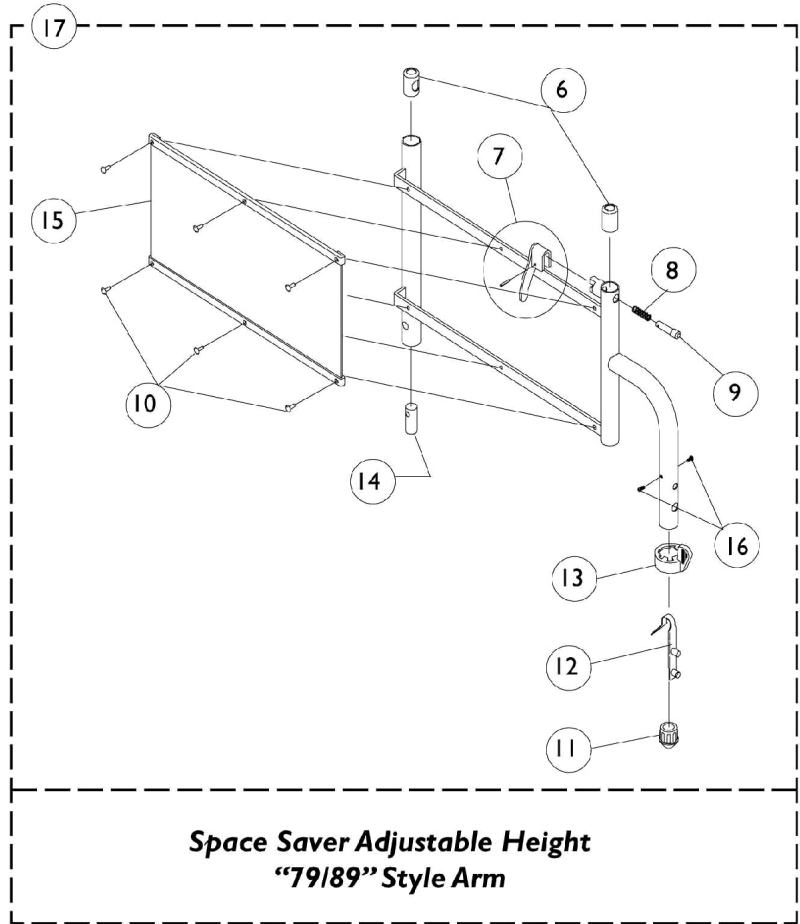
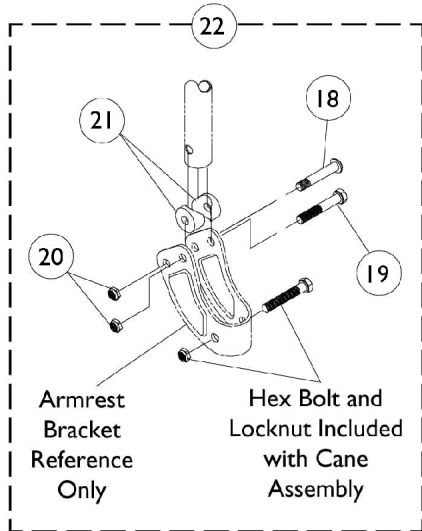
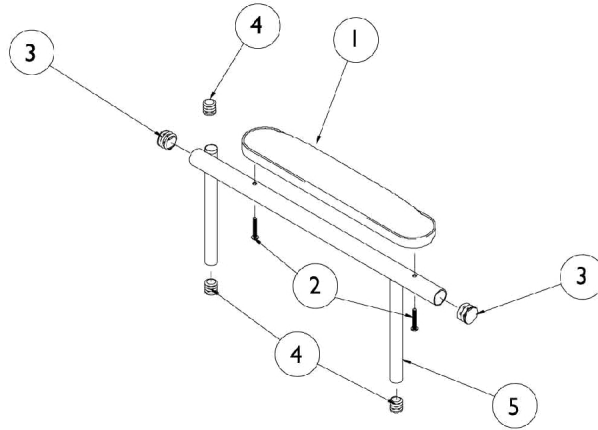
NOTE: A - Seat Upholstery Hardware included with this seat upholstery

All seat upholstery, see page titled "Frame Finishes, Upholstery Colors and Packaging".

Hardware for Seat Upholstery

Part Number	Description	Qty Per Package
1041541	Screw w/ Washer (#10 x 7/8")	12

Space Saver Adjustable Height Arms



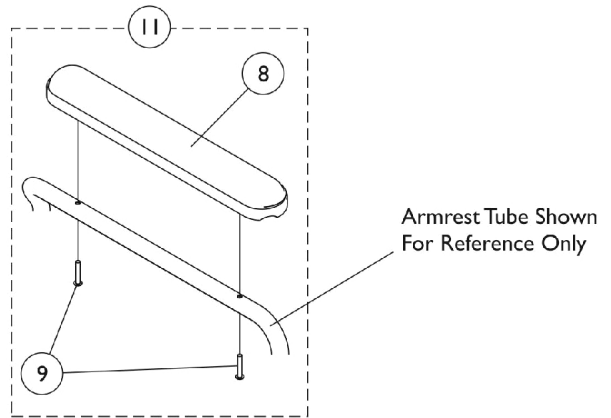
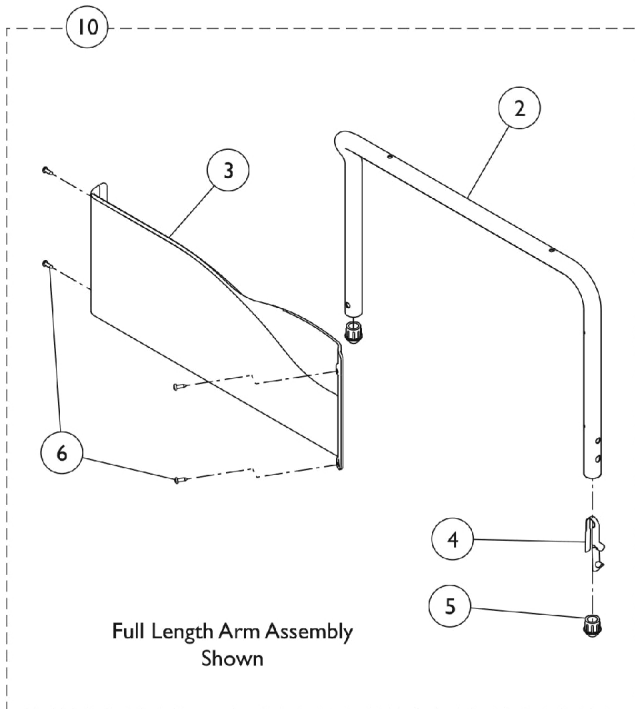
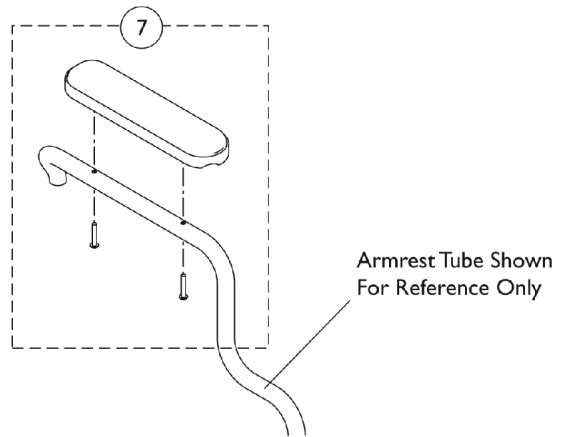
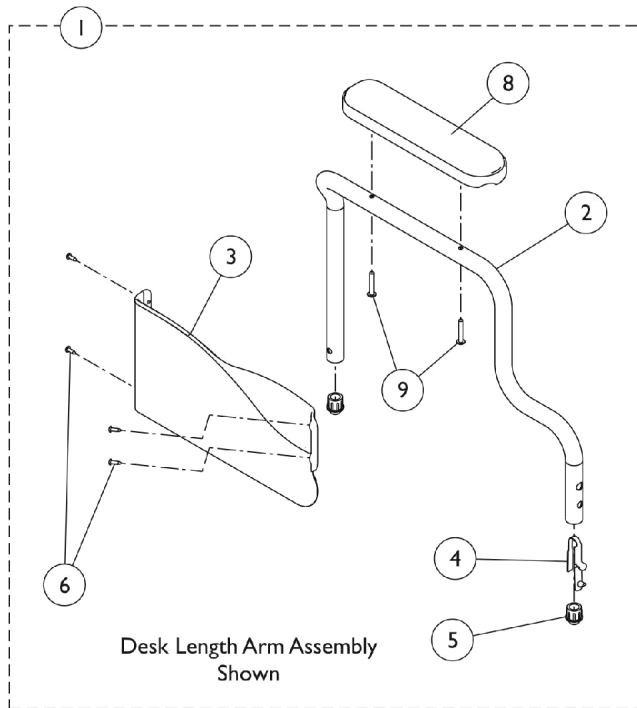
Space Saver Adjustable Height Arms

Item Number	Note	Part Number	Description	Quantity Per	
				Package	Assembly
1	A	8881053570	Kit, Arm Pad w/ Screws, Desk Length (Pair)	2	1
1	A	8881053571	Kit, Arm Pad w/ Screws, Full Length (Pair)	2	1
2		1055949	Package, Screw, Phillips Pan Head (#10-32 x 1-3/8")	2	1
3		1027095	Plug Button, Black (7/8")	1	2
4		1035614	Plug Button, Black (5/8")	1	3
5		1038462	Armrest Assembly, Space Saver Desk Length, Black - Right	1	1
			Tube, Armrest, Desk, Black - Right	1	1
3			Plug Button, Black (7/8")	1	2
4			Plug Button, Black (5/8")	1	3
5		1038463	Armrest Assembly, Space Saver Desk Length, Black - Left	1	1
			Tube, Armrest, Desk, Black - Left	1	1
3			Plug Button, Black (7/8")	1	2
4			Plug Button, Black (5/8")	1	3
5		1038466	Armrest Assembly, Space Saver Full Length, Black - Right	1	1
			Tube, Arm, Black - Right	1	1
3			Plug Button, Black (7/8")	1	2
4			Plug Button, Black (5/8")	1	3
5		1038467	Armrest Assembly, Space Saver Full Length, Black - Left	1	1
			Tube, Arm, Black - Left	1	1
3			Plug Button, Black (7/8")	1	2
4			Plug Button, Black (5/8")	1	3
6		1036150	Anti-Rattle	1	2
7		1090768	Kit, Lock Handle w/Rivets (Pair)	2	1
8		47471X074	Spring, Arm Lock	1	1
9		47471X068	Pin, Locking	1	1
10		1028645	Rivet	1	6
11		1036484	Plug, Armrest, Black (3/4") (18GA)	1	1
12		1018225	Spring, Torsion with Button Lock	1	1
13		1015450	Handle, Quad Release	1	1
14		1058915-NLA	NLA - Insert, Rear Arm Tube	1	1
15	B	1064129	Guard, Clothing	1	1
16		1020022	Screw, Phillips Pan Head Tap (#6-20 x 3/8")	1	2
17	C	1057126	Arm Base Assembly, Adjustable Height, Black - Right	1	1
17	C	1057127	Arm Base Assembly, Adjustable Height, Black - Left	1	1
18		1029583-NLA	NLA - Screw, Socket Button Head (1/4-20 x 1-7/16")	1	1
19		16720X004	Screw, Hex Head (1/4-20 x 1-1/2")	1	1
20		60275X000	Locknut (1/4-20)	1	2
21		1025457	Spacer, Coved (1/4 x 3/4 x 11/32")	1	2
22	D	1091072	Hardware, Armrest	1	1

Space Saver Adjustable Height Arms

Item Number	Note	Part Number	Description	Quantity Per	
				Package	Assembly
18			NLA - Screw, Socket Button Head (1/4-20 x 1-7/16")	1	2
19			Screw, Hex Head (1/4-20 x 1-1/2")	1	4
20			Locknut (1/4-20)	1	6
21			Spacer, Coved (1/4 x 3/4 x 11/32")	1	4
NOTE: A - Specify U67 upholstery color when ordering. B - Right/Left C - Includes items 6 thru 16 D - Includes items 18 thru 21					

Space Saver Fixed Height Arms



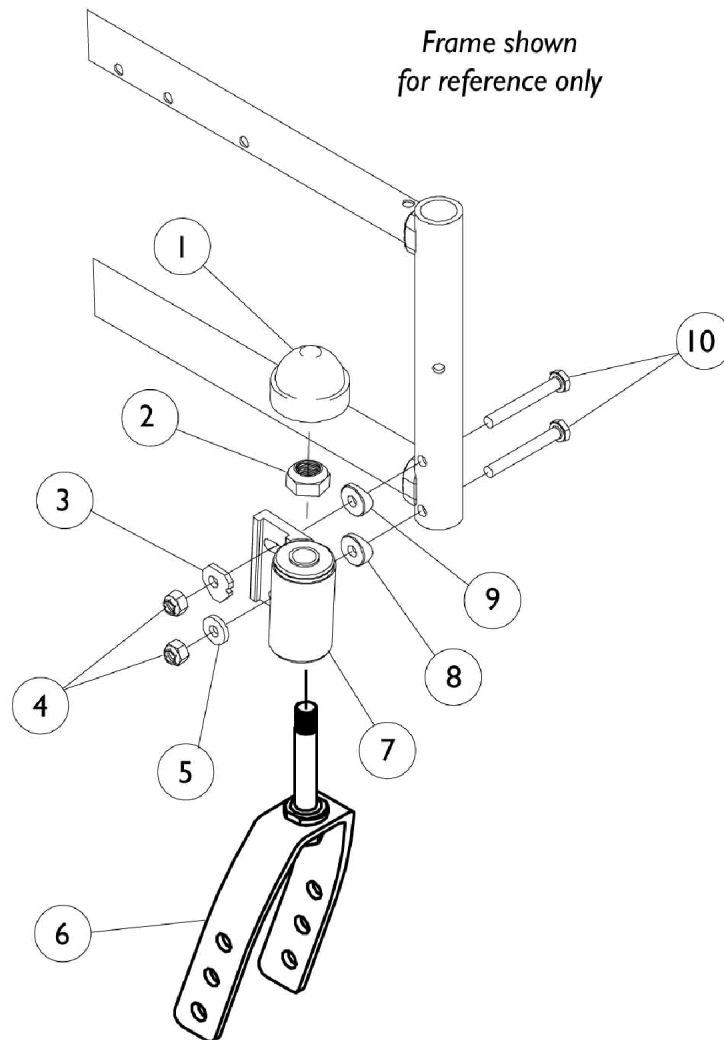
Space Saver Fixed Height Arms

Item Number	Note	Part Number	Description	Quantity Per	
				Package	Assembly
1	C,E	8881130858	Kit, Armrest, Desk Length, Black - Right (Style 88)	1	1
2			Tube, Armrest, Space Saver, Black - Right	1	1
3			Guard, Clothing, Desk Length - Right	1	1
4			Spring, Torsion w/ Button Lock	1	1
5			Plug, Armrest, Black (3/4") (18GA)	1	2
6			Screw, Self Tapping (#6-20 x 1/2")	1	4
8			Arm Pad, Desk Length w/ Law Label	1	1
9			Package, Screw Phillips Pan Head (#10-32 x 1-1/8")	1	2
1	C,E	8881130859	Kit, Armrest, Desk Length, Black - Left (Style 88)	1	1
2			Tube, Armrest, Space Saver, Black - Left	1	1
3			Guard, Clothing, Desk Length - Left	1	1
4			Spring, Torsion w/ Button Lock	1	1
5			Plug, Armrest, Black (3/4") (18GA)	1	2
6			Screw, Self Tapping (#6-20 x 1/2")	1	4
8			Arm Pad, Desk Length w/ Law Label	1	1
9			Package, Screw Phillips Pan Head (#10-32 x 1-1/8")	1	2
1	C,F	1057705	Arm Assembly w/o Arm Pad, Full Length, Black - Right	1	1
2			Armrest, Space-Saver, Full, Black - Right	1	1
3			Guard, Clothing, Full Length - Right	1	1
4			Spring, Torsion w/ Button Lock	1	1
5			Plug, Armrest, Black (3/4") (18GA)	1	2
6			Screw, Self Tapping (#6-20 x 1/2")	1	4
11	C,F	1057706	Arm Assembly w/o Arm Pad, Full Length, Black - Left	1	1
2			Armrest, Space-Saver, Full, Black - Left	1	1
3			Guard, Clothing, Full Length - Left	1	1
4			Spring, Torsion w/ Button Lock	1	1
5			Plug, Armrest, Black (3/4") (18GA)	1	2
6			Screw, Self Tapping (#6-20 x 1/2")	1	4
7	A,G	8881053570	Arm Pad, Desk Length w/ Law Label	1	1
			Package, Screw Phillips Pan Head (#10-32 x 1-1/8")	2	1
11	A,H	8881053571	Arm Pad, Desk Length w/ Law Label	1	1
8			Package, Screw Phillips Pan Head (#10-32 x 1-1/8")	2	1
9					
	D	1101538-NLA	NLA - Decal, Armrest	1	1
	D,B	1123307	Kit, Clothing Guard, Space Saver, Desk Length w/ Screws and Decals (Pair)	2	1
	D,B	1123308	Kit, Clothing Guard, Space Saver, Full Length w/ Screws & Decals (Pair)	2	1

Space Saver Fixed Height Arms

NOTE: A - Specify U67 upholstery color when ordering.
B - Clothing Guards not sold individually. Kit includes clothing guards, screws, and decals.
C - Due to Clothing Guard change, it is recommend (for chairs built Before 11/25/03) when only one Arm is requested the appropriate Clothing Guard Kit (item 7) be ordered also so that the arms will match.
D - Not Shown
E - Includes: Items 2 - 6, 8, and 9.
F - Includes: items 2 - 6.
G - Includes Arm Pad and Screws.
H - Includes items 8 and 9.

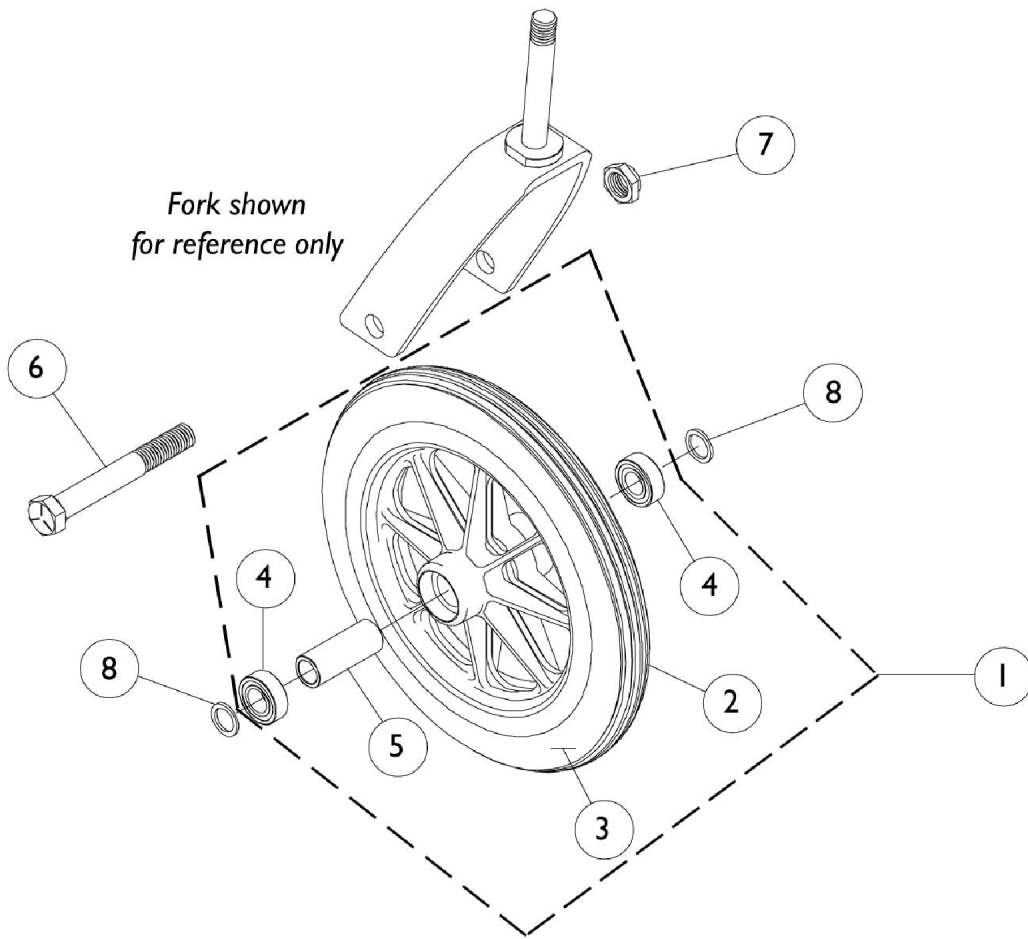
Fork and Hardware



Fork and Hardware

Item Number	Note	Part Number	Description	Quantity Per	
				Package	Assembly
1		1001843	Cap, Head Tube, Black	1	1
1		1131189	Package, Head Tube Cap	10	1
2		1001979	Locknut (1/2-20)	1	1
3		1080318-NLA	NLA - Cam, Headtube Adjustable	1	1
4		1065362	Locknut (1/4-28)	1	2
5		1018739	Washer (1/4 x 5/8 x 3/32")	1	1
6		1037420	Fork and Stem Assembly, Black (6 x 1" Caster)	1	1
6		1056640	Fork and Stem Assembly, Black (8" & 6 x 2" Caster)	1	1
6		1153529	Fork and Stem Assembly, Short, Black (2 Hole)	1	1
6		1157707	Fork and Stem Assembly, Short, Black (3 Hole)	1	1
7		1080315	Headtube, Caster w/ Flanged Bearings, Black - Right	1	1
7		1080316	Headtube, Caster w/ Flanged Bearings, Black - Left	1	1
8		1009861	Spacer, Coved (1/4 x 11/16 x 1/2")	1	1
9		1026099	Spacer, Coved (1/4 x 11/16 x 1/2")	1	1
10		1055349	Screw, Hex Head (1/4-28 x 2")	1	2

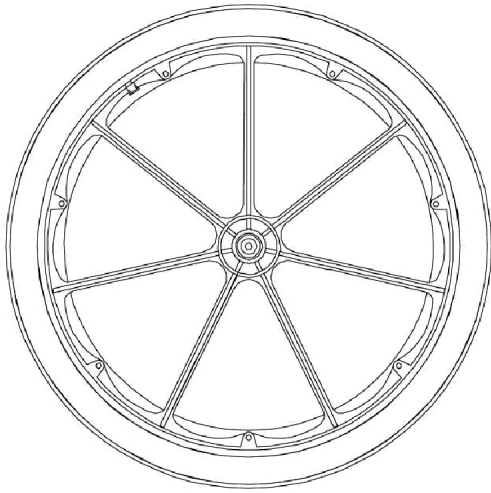
Casters - Front and Mounting Hardware



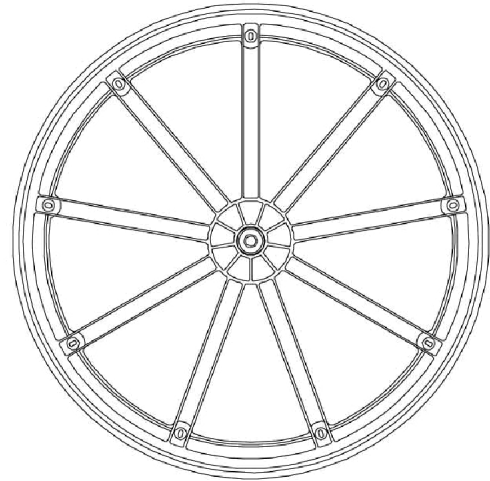
Casters - Front and Mounting Hardware

Item Number	Description	AT901 Composite Dark Grey	AT902 Composite Dark Grey	AT903 Composite	1292 Black Composite	1492 Composite Pneumatic
		Urethane (5 x 1")	Urethane (6 x 1")	Urethane (8 x 1-1/4")	Urethane (8 x 1-1/4")	w/ Flat Free (8 x1-1/4")
1	Wheel Assembly 1pc.	1029496 See Note(s) A	1034352 See Note(s) A, C	1058649 See Note(s) A	1009481 See Note(s) A	1030773
2	Tire	N/A	N/A	1038157	40176X040	40176X040
3	Tube/Insert	N/A	N/A	N/A	1010904-NLA	1010904-NLA
4	Bearing	N/A	N/A	1040102	1006049	1006049
5	Hub Spacer	N/A	N/A	1020592	1020592	1020592
6	Front Axle	N/A	7930362	57667P007	57667P007	57667P007
7	Axle Locknut	N/A	7930363-NLA	7930352-NLA	7930352-NLA	7930352-NLA
8	Axle Washer	N/A	N/A	N/A	7930312	7930312
	Axle Spacer See Note(s) B	N/A	1053202	N/A	N/A	N/A
NOTE: A - Includes tire, tube/insert, bearings, and spacer. B - Not Shown C - Consists of (2) Casters.						

Rear Wheels (without Handrims)



7 Spoke Composite Wheel



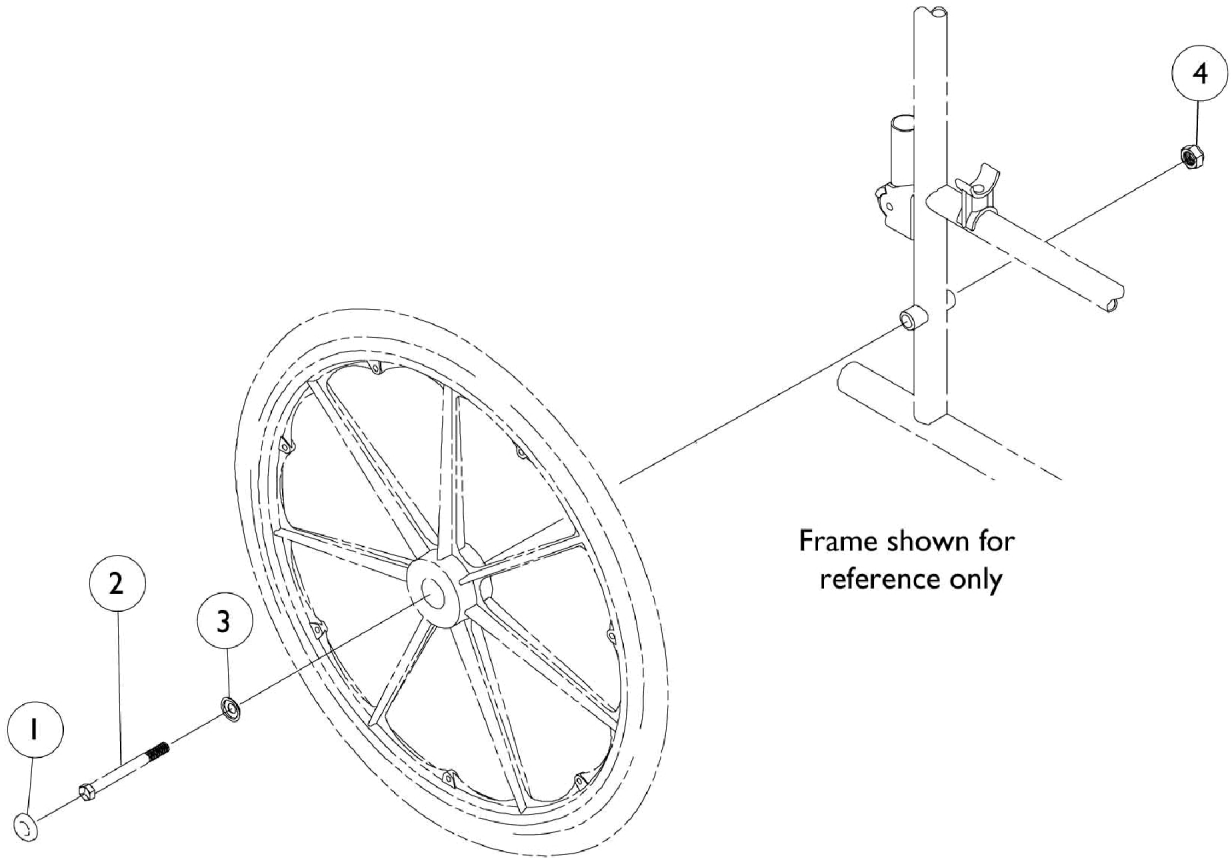
9 Spoke Composite Wheel

Rear Wheels (without Handrims)

Wheel Style	Wheel Size	Tire Type	Single Wheel Assembly	Tire	Tube Insert	Bearing	Bearing Spacer
U1763BK See Note(s) C	20x1-1/4"	Urethane	1038555 See Note(s) C, B, A	1037774	N/A	40117X024	1015756
1763BK	20x1-3/8"	Pneumatic	1034126 See Note(s) B, A	1017519	1017520	40117X024	1015756
4763BK	20x1-3/8"	Pneumatic w/ Flat Free Insert	1034127 See Note(s) C, B, A	1017519	1023322	40117X024	1015756
U1764BK	22x1-1/4"	Urethane	1032115 See Note(s) C, B, A	1028250	N/A	40117X024	1015756
1764BK	22x1-3/8"	Pneumatic	1027149 See Note(s) B, A	1018544	1018545	40117X024	1015756
4764BK	22x1-3/8"	Pneumatic w/ Flat Free Insert	1027150 See Note(s) A, B	1018544	1023323	40117X024	1015756
U2244BK 7-Spoke	24x1-1/4"	Urethane	1032117 See Note(s) A, C	1026904	N/A	40117X024	1015756
2244BK	24x1-3/8"	Pneumatic	1025123 See Note(s) A	40176X060	40176X061	40117X024	1015756
4244BK	24x1-3/8"	Pneumatic w/ Flat Free Insert	1025124 See Note(s) A, C	40176X060	1010906	40117X024	1015756
U2222 9-Spoke	24 x 1"	Urethane	1044193 See Note(s) C, A, D	1039304	N/A	40117X024	1015756
U2222 9-Spoke	24 x 1"	Urethane	1080378 See Note(s) F, E, A, C	1080400 See Note(s) F	N/A	40117X024	1015756
U2222C 9-Spoke	24 x 1"	Urethane Corded	1122726 See Note(s) A	1118209 See Note(s) G	N/A	40117X024	1015756

NOTE: A - Includes tire, tube/insert, bearing, and spacer; Does not include handrim.
 B - When ordering 20" or 22" wheels, a wheel lock shoe spacer may also be required. See page titled "Wheel Locks".
 C - Composite Wheels with Flat Free Inserts or Urethane Tires have a plug which caps an opening in the rim. See page titled "Rear Wheel Hardware" for plug, part number 1030936.
 D - Before 11/20/98
 E - After 11/19/98
 F - Non-Corded Tire replaced with a Corded Tire as of 11/16/09. Refer to Wheel Style U2222C part #1122726 for a wheel assembly or part #1118209 for a tire. For chairs manufactured before 11/16/09, it is recommended to order (2) each in quantity to match.
 G - Corded Tires maybe more difficult to stretch over the rim. The complete wheel assembly that has the tire and wheel rim preassembled maybe advisable.

Rear Wheel Hardware



Rear Wheel Hardware

Item Number	Note	Part Number	Description	Quantity Per	
				Package	Assembly
1	A,B	1027600-NLA	NLA - Cap, Black	1	1
1	C	1016291	Cap, Hub, Black	1	1
2	D	47203X029	Screw, Hex Head (7/16-20 x 4-1/2")	1	1
2	D	1015436	Axle, Quick Release (7/16" x 4-1/2")	1	1
3	C	1016289	Washer, Caplugs (15/32" I.D. x 1-3/32" O.D.)	1	1
4		1045608	Locknut (7/16-20)	1	1
	E,G	1047943	Kit, Rear Wheel Hub Hardware	1	1
			Cap, Hub, Black	1	1
			Washer, Caplugs (15/32" I.D. x 1-3/32" O.D.)	1	1
	F,G	1034106	Kit, Rear Wheel Hardware	1	1
			Screw, Hex Head (7/16-20 x 4-1/2")	1	1
			Locknut (7/16-20)	1	1
	F,G	1030936	Plug, Valve Stem	1	1
	F,G,H	1034109	NLA - Kit, Rear Wheel Hardware, Conventional	1	1
			Bolt, Hex Head Cap (7/16-20 x 5-1/8")	1	1
			Locknut (7/16-20)	1	1
			Spacer (7/16 x 5/8 x 1/2")	1	1
		1085454	Bolt, Hex Head Cap (7/16-20 x 5-1/8")	1	1
		1045608	Locknut (7/16-20)	1	1
		1022671	Spacer (7/16 x 5/8 x 1/2")	1	1
NOTE: A - U2222 Wheel Only B - Before 11/20/98 C - U2222 only After 11/19/98 D - Space Saver Arms E - Includes items 1 and 3 F - Includes items 2 and 4 G - Not Shown. H - Components contained in Kit Hardware 1034109 must now be ordered separately. Order part# 1085454, 1045608, 1022671.					

Handrims and Attaching Hardware Kits

(Individual Hardware is on page titled "Handrim Attaching Hardware")

Black Plastic Coated - Projection

Handrim Only	Quantity	Att. Points	Att. Hardware Kit	Wheel Type
1115400 See Note(s) C	1	7	1025158 See Note(s) A	A See Note(s) B
1115401 See Note(s) C	1	7	1025158 See Note(s) A	B See Note(s) B
1115397 See Note(s) C	1	7	1025158 See Note(s) A	C See Note(s) B
1115462 See Note(s) C	1	6	1025150 See Note(s) A	D See Note(s) B

NOTE: A - Kit contains hardware for 1 handrim.
 B - See chart titled "Wheel Types".
 C - Grey Plastic Coated Handrims are no longer available and have been replaced with black. If only one grey handrim is requested order the black handrims in pairs.

Black Plastic Coated - Projection

Handrim Only	Quantity	Att. Points	Att. Hardware Kit	Wheel Type
1115399 See Note(s) A	1	6	1062763 See Note(s) C	D See Note(s) D
1115394 See Note(s) A	1	7	1062764 See Note(s) C	C See Note(s) D
1115398 See Note(s) B	1	6	1062763 See Note(s) C	D See Note(s) D
1115396 See Note(s) B	1	7	1062765 See Note(s) C	C See Note(s) D

NOTE: A - 8 Vertical
 B - 8 Oblique
 C - Kit contains hardware for 1 handrim.
 D - See chart titled "Wheel Types".

Handrims and Attaching Hardware Kits

(Individual Hardware is on page titled "Handrim Attaching Hardware")

Aluminum - Flat Black - Non-Projection

Handrim Only	Quantity	Att. Points	Att. Hardware Kit	Wheel Type
1020017 See Note(s) A, C	1	7	1025153 See Note(s) B	A See Note(s) D
1020018 See Note(s) A, C	1	7	1025153 See Note(s) B	B See Note(s) D
1015406 See Note(s) A, C	1	7	1025153 See Note(s) B	C See Note(s) D
NOTE: A - AHDRM B - Kit Contains hardware for 1 handrim. C - When replacing handrims for chairs built before 12/17/99 order in pairs, handrim color has changed from Pewter to Flat Black. D - See chart Titled "Wheel Types"				

Composite - Non-Projection

Handrim Only	Quantity	Att. Points	Att. Hardware Kit	Wheel Type
1064036 See Note(s) A	1	7	1065790 See Note(s) B	D See Note(s) C
1063919 See Note(s) A	1	9	1065791 See Note(s) B	C See Note(s) C
NOTE: A - COM B - Kit contains hardware for 1 handrim. C - See Chart Titled "Wheel Types"				

Wheel Types

A	20" Composite with Urethane or Pneumatic Tire
B	22" Composite with Urethane or Pneumatic Tire
C	24" (7 Spoke) Composite with Urethane or Pneumatic Tire
D	24" (9 Spoke) Composite with Urethane Tire

Handrim Attaching Hardware

Non-Projection Handrim Hardware

Part Number	Description	Hardware Kit	Hardware Kit	Hardware Kit	Hardware Kit	Hardware Kit
		1025150	1025153	1025158	1065790	1065791
1007375 See Note(s) A	Screw, Phillips Pan Head w/ Patch (#10-32 x 1-3/4")	6	--	--	--	--
7930305-NLA	Screw, Pan Head Machine (10-32 x 1-3/4")	--	7	7	--	--
1016438	Spacer (1/4 x 11/32 x 1")	--	7	--	--	--
1098755	Screws with Washers (#10 x 1-1/2")	--	--	--	7	9

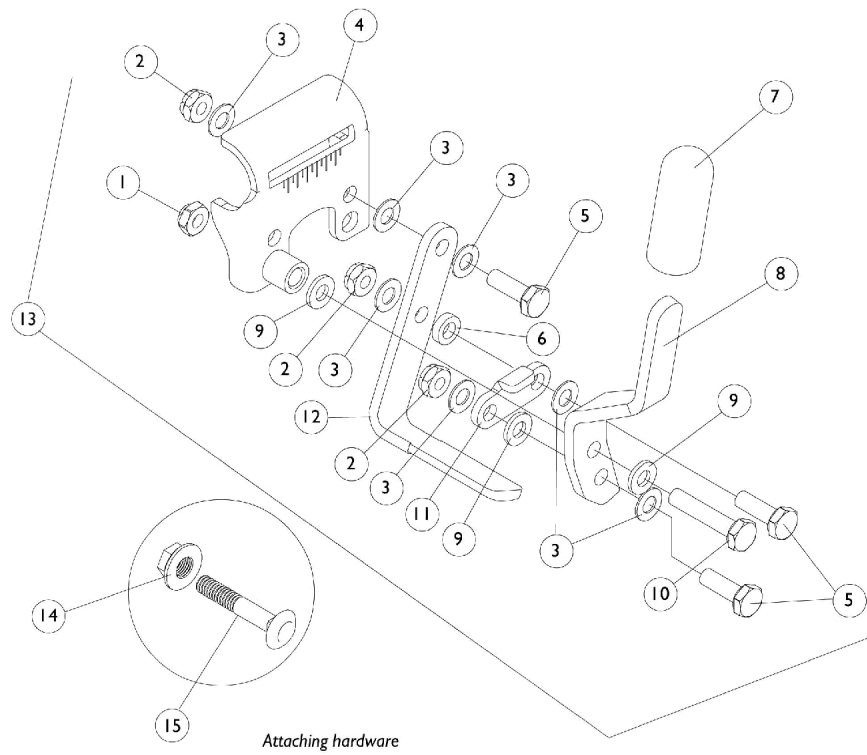
NOTE: A - Replaces 1026750.

Projection Handrim Hardware

Part Number	Description	Hardware Kit	Hardware Kit	Hardware Kit
.	.	1062763	1062765	1062764
11008X011	Screw (10-32 x 1-3/8")	6	--	--
11008X003-NLA	Screw (10-32 x 1-1/4")	--	7	--
16718X000-NLA	Screw (10-32 x 7/8")	6	--	--
7930360-NLA	Screw (10-32 x 11/16"0	--	7	7
7930305-NLA	Screw (10-32 x 1-3/4")	--	--	7
47559X008	Link	6	7	7
7930365-NLA	Locknut (10-32)	6	7	7
1013218	Washer (3/16 x 1/2 x 3/64")	6	7	7
1017870-NLA	Spacer (1/2 x 1/4")	6	--	--

The quantity in each column is the amount of that item that is in the hardware kit.

Wheel Locks



Wheel Locks

Item Number	Note	Part Number	Description	Quantity Per	
				Package	Assembly
1	A	7930364-NLA	NLA - Package, Locknut (1/4-20)	25	1
1	B	7930323-NLA	NLA - Package, Locknut (1/4-20)	25	1
2	A	7930367-NLA	NLA - Locknut (1/4-28)	25	3
2	B	7930334-NLA	NLA - Locknut (1/4-28)	25	3
3	A	7930357-NLA	NLA - Washer, Nylon (1/4 x 1/2 x 1/32")	25	7
3	B	1026103	Washer, Nylon (1/4 x 1/2 x 1/32")	1	7
4		See Chart	#4,8, & 13 Mounting Bracket, Handle & Wheellock Assembly	1	1
5	A	60274X012-NLA	NLA - Screw, Hex Head (1/4-28 x 3/4")	1	3
5	B	1028687	Screw, Hex Head (1/4-28 x 3/4")	1	3
6	A	40157X004	Spacer, Nylon (1/4 x 7/16 x 1/8")	1	1
6	B	1026105-NLA	NLA - Spacer, Nylon (1/4 x 7/16 x 1/8")	1	1
7		47376X024	Tip, Rubber Wheel Lock Handle, Black	1	1
8		See Chart	#4,8, & 13 Mounting Bracket, Handle & Wheellock Assembly	1	1
9	A	1010398	Washer, Nylon (1/4 x 1/2 x 1/16")	1	3
9	B	1026033	Washer, Nylon (1/4 x 1/2 x 1/16")	1	3
10	A	1007017-NLA	NLA - Screw, Hex Head (1/4-20 x 1-1/4")	1	1
10	B	1021406	Screw, Hex Head (1/4-20 x 1-1/4")	1	1
11	A	1016592-NLA	NLA - Link, Chrome	1	1
11	B	1021404-NLA	NLA - Link, Black	1	1
12	A	1015443-NLA	NLA - Shoe	1	1
12	B	1021405-NLA	NLA - Shoe, Wheel Lock	1	1
13		See Chart	#4,8, & 13 Mounting Bracket, Handle & Wheellock Assembly	1	1
14	A	7930351-NLA	NLA - Nut, Hex Flange (1/4-20)	25	1
14	B	1021403	Nut, Hex Flang (1/4-20)	1	1
15	A	7930309-NLA	NLA - Bolt, Carriage (1/4-20 x 1-1/2")	25	1
15	B	1021402	Bolt, Carriage (1/4-20 x 1-1/4")	1	1
	C,D,E, F	7400109	Kit, Wheel Lock Shoe Spacer (Pair)	2	2
			Screw, Set Socket Cup Point (#8-32 x 3/16")	1	4
			Spacer, Wheel Lock Shoe (2-7/16")	1	2
	C,D,E, G	1037422	Kit, Wheel Lock Shoe Spacer, 22" Rear Wheels (Pair)	2	2
			Spacer, Wheel Lock Shoe (1-45/64")	1	2
			Screw, Set Socket Cup Point (#8-32 x 3/16")	1	4
	C	7930306-NLA	NLA - Package, Screw, Set Socket Cup Point (#8-32 x 3/16")	25	2

NOTE: A - Chrome Chairs
 B - Black or Color Chairs
 C - Not Shown
 D - Includes set screws
 E - These items are not included with wheel lock, they may be needed if chair has 20 inch or 22 inch rear wheels
 F - 20" Rear Wheels
 G - 22" Rear Wheels

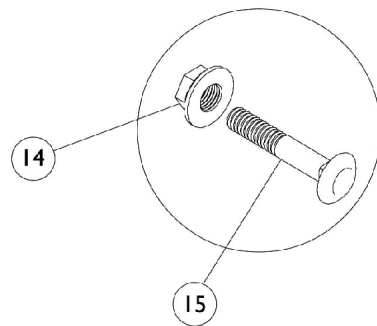
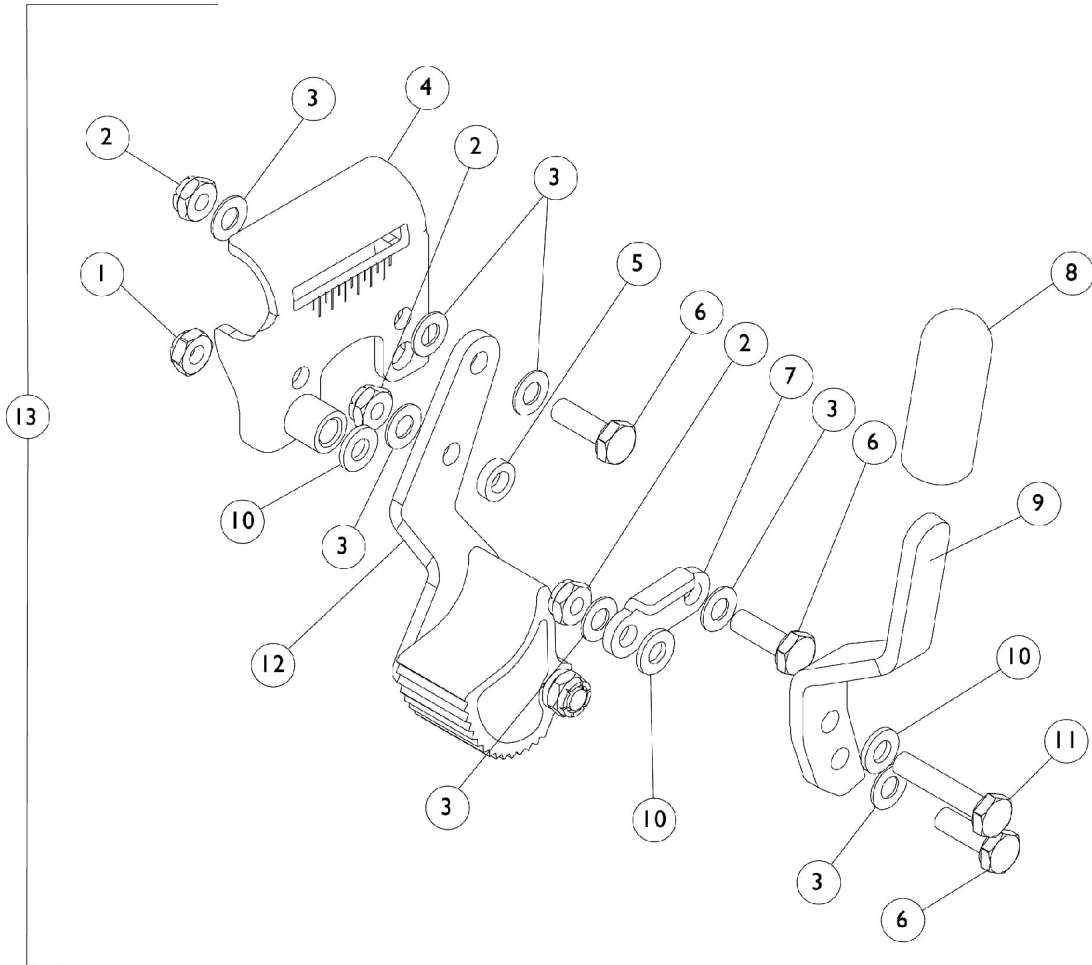
Wheel Locks

#4,8, & 13 Mounting Bracket, Handle & Wheellock Assembly

Wheellock Type	Side	4) Mounting Bracket	8) Wheel Lock Handle	13) Wheel Lock Assembly
Push to Lock: Chrome	Right	1015445-NLA	1016588-NLA	1045861-NLA See Note(s) A
	Left	1015446-NLA	1016589-NLA	1045862-NLA See Note(s) A
Push to Lock: Black	Right	N/A	N/A	1023493
	Left	N/A	N/A	1023494
Push to Lock: Color	Right	1031787-NLA	1021408-NLA	1031792
	Left	1031788-NLA	1021409-NLA	1031793
Pull to Lock: Chrome	Right	1015445-NLA	1016590-NLA	1045857
	Left	1015446-NLA	1016591-NLA	1045858
Pull to Lock: Color	Right	1031787-NLA	1031780-NLA	1031794
	Left	1031788-NLA	1031781-NLA	1031795

NOTE: A - No Longer Available. Use part #'s 1023493 and 1023494 as replacements.

Wheel Locks with Hill Holder



Attaching hardware

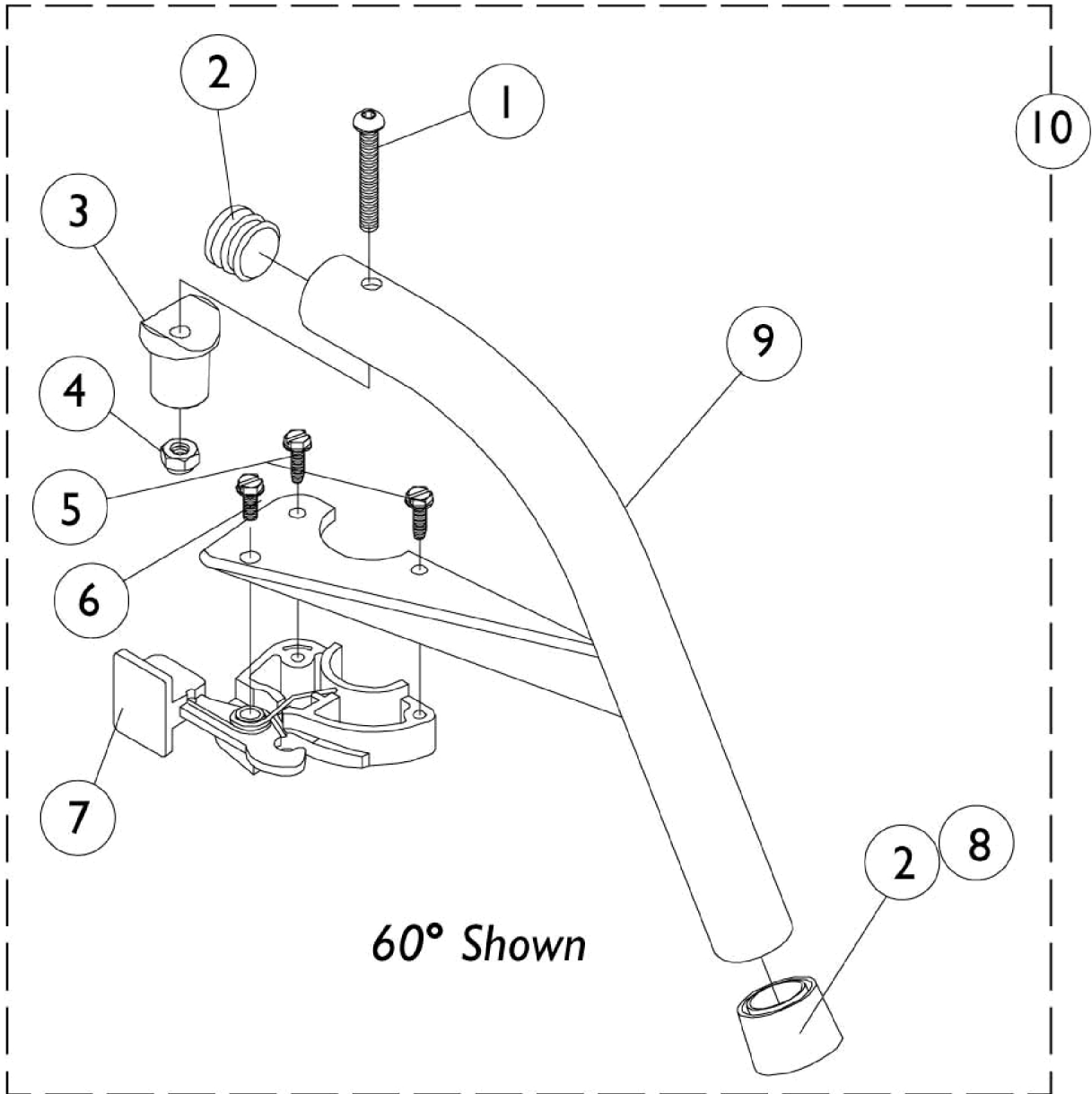
Wheel Locks with Hill Holder

Item Number	Note	Part Number	Description	Quantity Per	
				Package	Assembly
1		7930364-NLA	NLA - Package, Locknut (1/4-20)	25	1
2		7930367-NLA	NLA - Locknut (1/4-28)	25	3
3		7930357-NLA	NLA - Washer, Nylon (1/4 x 1/2 x 1/32")	25	7
4		1015445-NLA	NLA - Bracket, Mounting, Chrome - Right	1	1
4		1015446-NLA	NLA - Bracket, Mounting, Chrome - Left	1	1
5		40157X004	Spacer, Nylon (1/4 x 7/16 x 1/8")	1	1
6		60274X012-NLA	NLA - Screw, Hex Head (1/4-28 x 3/4")	1	3
7		1017861-NLA	NLA - Link, Chrome	1	1
8		47376X024	Tip, Rubber Wheel Lock Handle, Black	1	1
9	E	1016588-NLA	NLA - Handle, Push, Adult, Chrome - Right	1	1
9	E	1016589-NLA	NLA - Handle, Push, Adult, Chrome - Left	1	1
9	E	1016590-NLA	NLA - Handle, Pull, Hemi, Chrome - Right	1	1
9	E	1016591-NLA	NLA - Handle, Pull, Hemi, Chrome - Left	1	1
10		1010398	Washer, Nylon (1/4 x 1/2 x 1/16")	1	3
11		1007017-NLA	NLA - Screw, Hex Head (1/4-20 x 1-1/4")	1	1
12	H	1016892-NLA	NLA - Hill Holder Assembly - Right	1	1
12	H	1016893-NLA	NLA - Hill Holder Assembly - Left	1	1
13	A,B,C	1034212	Wheel Lock Assembly, Hill Holder, Push to Lock - Right	1	1
13	A,B,C	1034213	Wheel Lock Assembly, Hill Holder, Push to Lock - Left	1	1
13	A,B,D	1034214	Wheel Lock Assembly, Hill Holder, Pull to Lock - Right	1	1
13	A,B,D	1034215	Wheel Lock Assembly, Hill Holder, Pull to Lock - Left	1	1
14	E	7930351-NLA	NLA - Nut, Hex Flange (1/4-20)	25	1
14	F	1021403	Nut, Hex Flang (1/4-20)	1	1
15	E	7930309-NLA	NLA - Bolt, Carriage (1/4-20 x 1-1/2")	25	1
15	F	1021402	Bolt, Carriage (1/4-20 x 1-1/4")	1	1

NOTE: A - Hill holder Wheel Locks not for use with Urethane tires.
 B - Includes items 1 thru 12
 C - Push to Lock - Adult
 D - Pull to Lock - Hemi
 E - Chrome Chairs
 F - Black or Color Chairs
 H - Part #1016892 and 1016893 are no longer available as a service part individually. Order item #13 as a replacement.

Support Assemblies

For Models P60, P70, P70T, P30E



Support Assemblies For Models P60, P70, P70T, P30E

Item Number	Note	Part Number	Description	Quantity Per	
				Package	Assembly
1		7930301-NLA	NLA - Package, Button Head Cap Screw (1/4-20 x 1-3/4")	25	1
2	B	1056328	Plug Button, Black (1")	1	2
3		1017148	Pivot, Footrest	1	1
4		7930333	Locknut (1/4-20)	25	1
5		1025451	Screw, Slotted Hex Washer Head (#10-32 x 5/8")	1	2
6		7930314	Package, Screw, Slotted Hex Washer Head (#10-32 x 1/2")	25	1
7		1025454	Housing, Latch - Right	1	1
7		1025455	Housing, Latch - Left	1	1
8		1026124	Collar, Anti-Rattle	1	1
	A	1026987	Guard, Impact (8" L)	1	1
9	C	See Chart	#9 & 10 Support Assemblies (Include Items 2-8)	1	1
10	D	See Chart	#9 & 10 Support Assemblies (Include Items 2-8)	1	1

NOTE: A - Not Shown. For 70 deg. Tapered Footrest.
 B - 2 each on 60° and 70°
 C - Support Tube and Bracket
 D - Support Assembly (Includes Items 1-9)

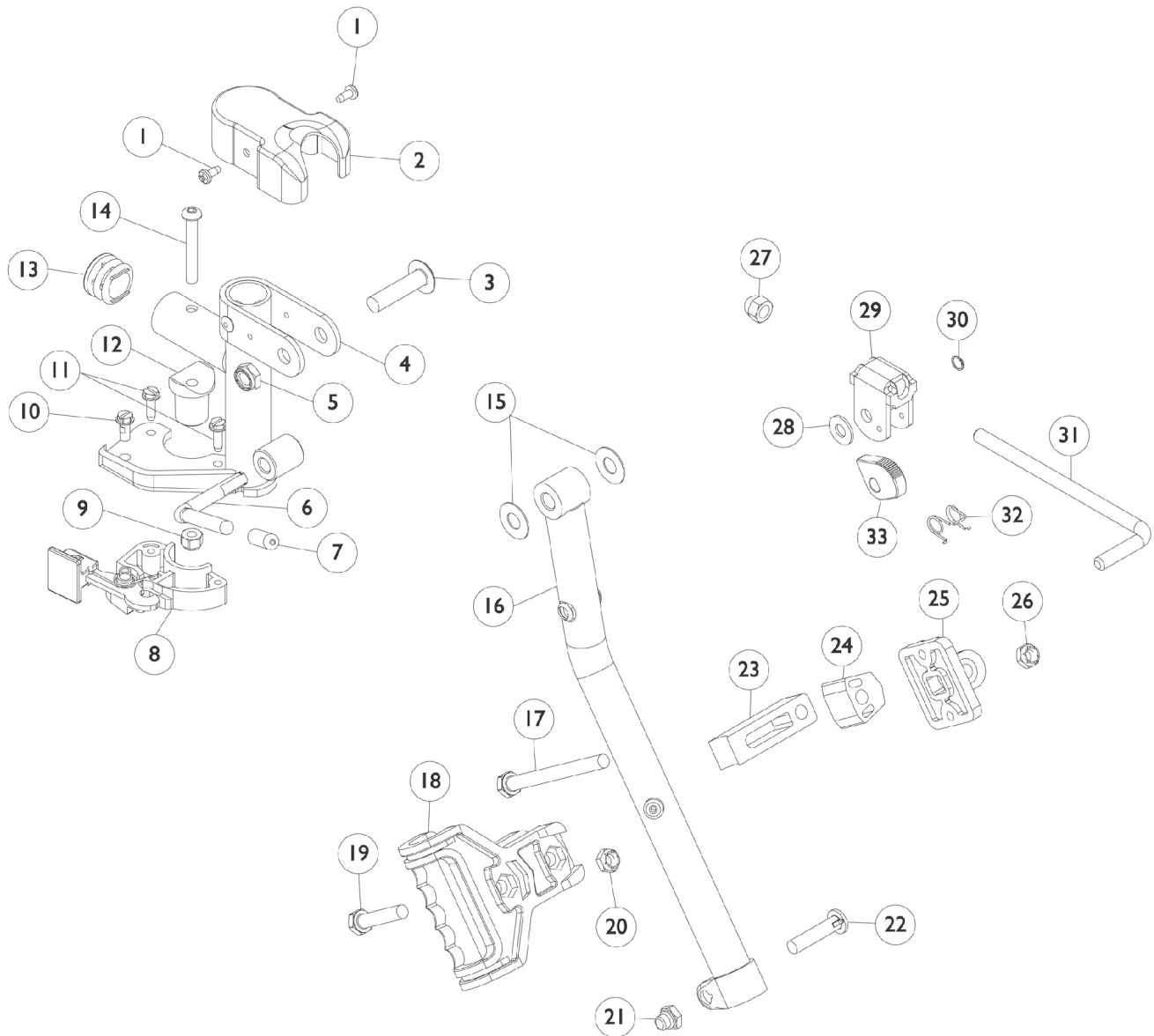
Support Assemblies (Includes Items 2-8)

Side	Item #9 60° Swingaway	Item #10 60° Swingaway	Item #9 70° Non-Tapered	Item #10 70° Non-Tapered	Item #9 70° Tapered	Item #10 70° Tapered
Right	1082432-NLA See Note(s) A	1082440-NLA See Note(s) A	1082434-NLA See Note(s) A	1082442-NLA See Note(s) A	1082436-NLA See Note(s) A	1082444-NLA See Note(s) A
Left	1082433-NLA See Note(s) A	1082441-NLA See Note(s) A	1082435-NLA See Note(s) A	1082443-NLA See Note(s) A	1082437-NLA See Note(s) A	1082445-NLA See Note(s) A
Right	8881026831-NL A See Note(s) B	8881026992 See Note(s) B	8881026833-NL A See Note(s) B	8881026994 See Note(s) B	8881025447-NL A See Note(s) B	8881026996 See Note(s) B
Left	8881026832-NL A See Note(s) B	8881026993 See Note(s) B	8881026834-NL A See Note(s) B	8881026995 See Note(s) B	8881025448-NL A See Note(s) B	8881026997 See Note(s) B

NOTE: A - Specify Black.
 B - Specify frame color, see page titled "Frame Finishes, Upholstery Colors and Packaging".
 Specify frame color when ordering. Specify Black for chrome frames. See page titled "Frame Finishes, Upholstery Colors and Packaging".

Legrest Support Assemblies (AT5044)

Specify frame color when ordering.



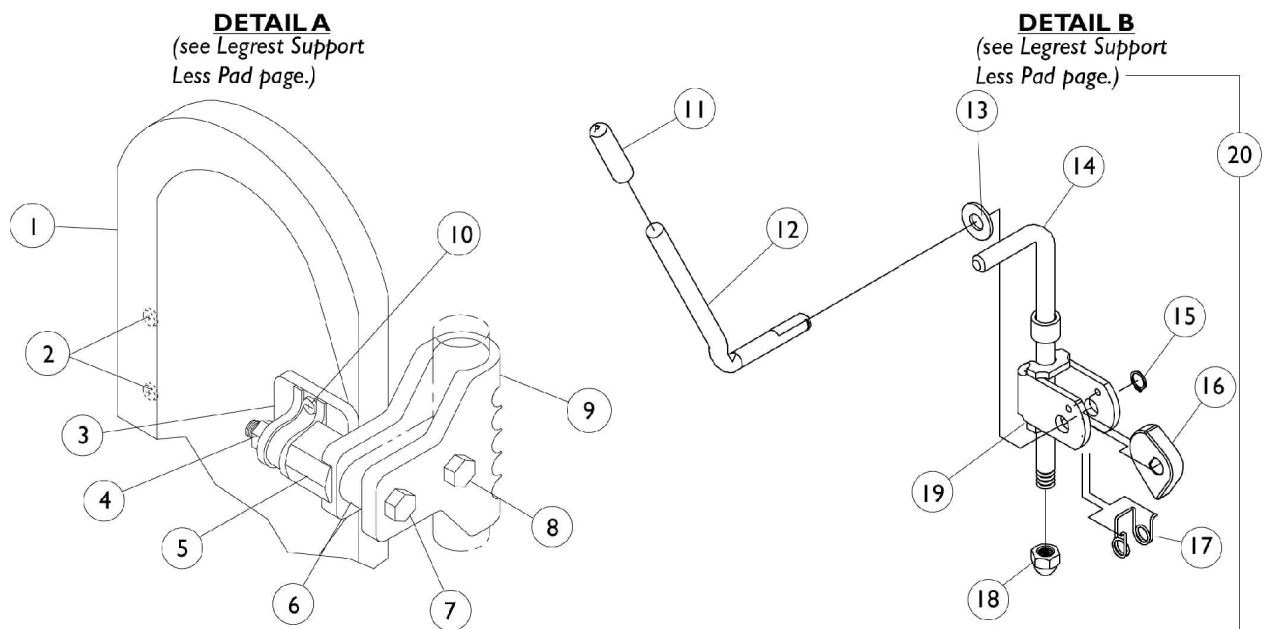
Legrest Support Assemblies (AT5044)

Specify frame color when ordering.

Item Number	Note	Part Number	Description	Quantity Per	
				Package	Assembly
1		1025729	Screw, Phillips Pan Head Tap (#8-32 x 3/8")	1	2
2		1017187	Cover, Top	1	1
3		11919X000-NLA	NLA - Screw, Slotted Truss Head (3/8-16 x 1-1/2")	1	1
4		8881045289	Bracket, Legrest Support, Color - Right	1	1
4		8881045290	Bracket, Legrest Support, Color - Left	1	1
5		40363X000	Hex Nut (3/8"-16)	1	1
6		1037126	Handle, Release	1	1
7		1040060	Tip, Plastic, Black	1	1
8		1025454	Housing, Latch - Right	1	1
9		1025736	Locknut (1/4-20)	1	1
10		1017423	Screw, Slotted Hex Washer Head w/ Patch (#10-32 x 1/2")	1	1
11		1025451	Screw, Slotted Hex Washer Head (#10-32 x 5/8")	1	2
12		1017148	Pivot, Footrest	1	1
13		1029501	Plug Button, Black (1")	1	1
14		1001762	Screw, Socket Button Head (1/4-20 x 1-3/4")	1	1
15		1058636-NLA	NLA - Washer, Nylon (25/64 x 7/8 x 1/32")	1	2
16		8881048851	Tube, Elevating Adjustable Support, Color - Right	1	1
17		1037110	Screw, Hex Head (5/16-24 x 3-1/2")	1	1
18		1032266	Bracket, Legrest Pad Mounting, Black	1	1
19		1028514	Screw, Hex Head (5/16-24 x 1-1/2")	1	1
20		1025730	Locknut (5/16-24)	1	1
21		1107321	Nut, Low Cap (5/16"-24)	1	1
22		1026030	Bolt, Lug (5/16-24 x 1-3/8")	1	1
23		1032267	Spacer, Legrest Pad Mounting, Black	1	1
24		1025133	Spacer, Legrest Pad, Black	1	1
25		04526X019	Plate, Legrest Pad	1	1
26		1025730	Locknut (5/16-24)	1	1
27		10261X000	Nut, Acorn (5/16-24)	1	1
28		1013519	Washer, Nylon (5/16 x 11/16 x 1/16")	1	1
29		04528X002	Bracket, Release, Black	1	1
30		1040831	Ring, Snap	1	1
31		42326X001	Bar, Ratchet	1	1
32		1037485	Spring, Release	1	1
33		1037125	Cam, Legrest	1	1
	B,A	8881045291	Legrest Support Assembly, Sector, Color - Right	1	1
	B,A	8881045292	Legrest Support Assembly, Sector, Color - Left	1	1

NOTE: A - Not Shown
B - Includes Items 1-33.

Legrest Calfpads and Ratchet Assemblies



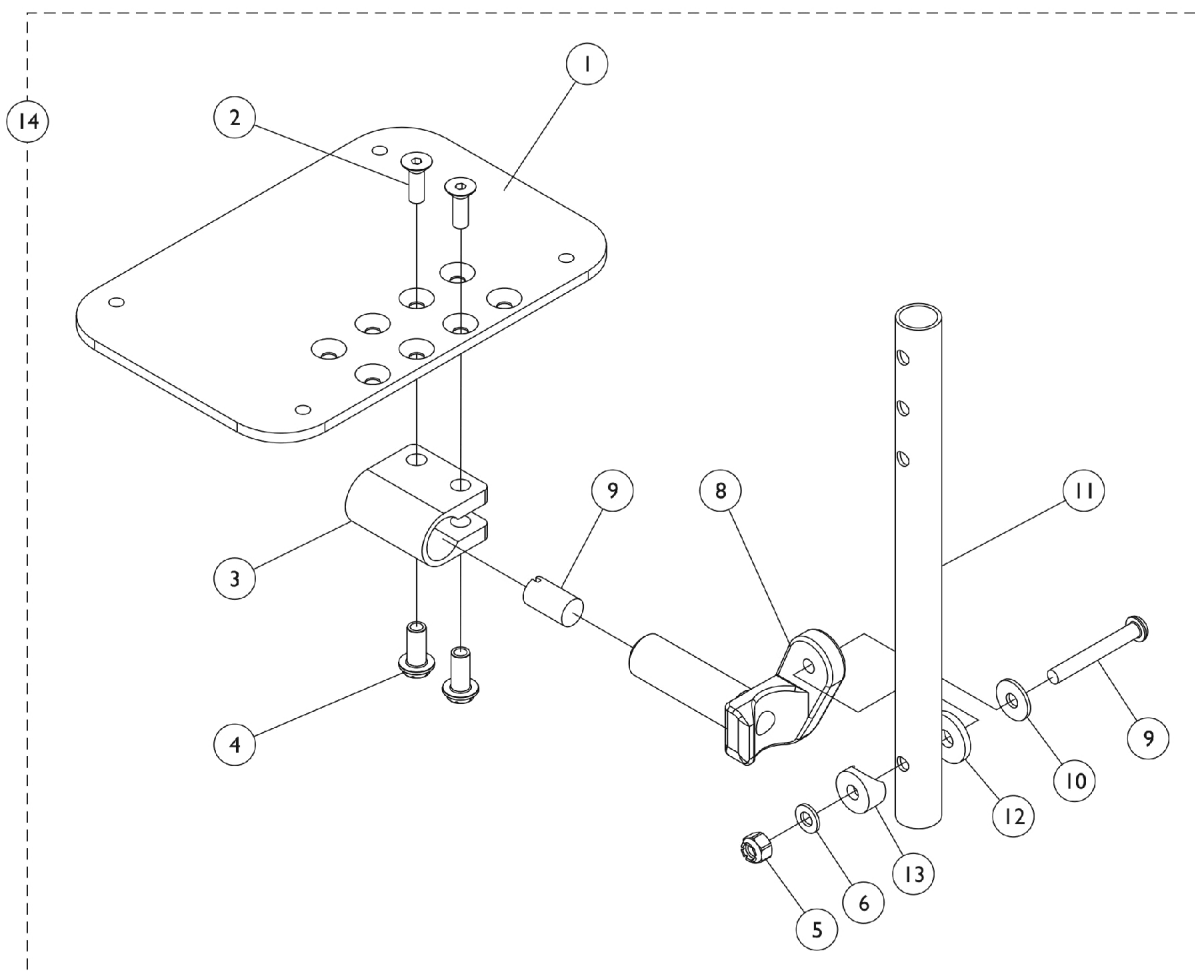
Legrest Calfpads and Ratchet Assemblies

Item Number	Note	Part Number	Description	Quantity Per	
				Package	Assembly
1	A	88804529X003	Pad, Legrest, Vinyl - Right	1	1
1	A	88804529X004	Pad, Legrest, Vinyl - Left	1	1
1	A,C	7500003	Pad, Calf with Cover	1	1
1	A,C	01415X000-NLA	NLA - Cover, Legrest Pad	1	1
1	D	8881091759	Pad w/ Cover and Screws, Legrest Vinyl (Pair)	2	1
2		7930360-NLA	NLA - Package, Screw, Phillips Pan Head (#10-32 x 11/16")	25	2
3		04526X019	Plate, Legrest Pad	1	1
4		7930330-NLA	NLA - Locknut (5/16-24)	25	1
5		1025133	Spacer, Legrest Pad, Black	1	1
6		1032267	Spacer, Legrest Pad Mounting, Black	1	1
7		1037110	Screw, Hex Head (5/16-24 x 3-1/2")	1	1
8		1028514	Screw, Hex Head (5/16-24 x 1-1/2")	1	1
9		1032266	Bracket, Legrest Pad Mounting, Black	1	1
10		7930328-NLA	NLA - Package, Screw, Phillips Pan Head (#10-32 x 11/16")	25	2
11		1040060	Tip, Plastic, Black	1	1
12		1037126	Handle, Release	1	1
13		7930310-NLA	NLA - Washer, Nylon (5/16 x 11/16 x 1/16")	25	1
14		42326X001	Bar, Ratchet	1	1
15		1040831	Ring, Snap	1	1
16		1037125	Cam, Legrest	1	1
17		1037485	Spring, Release	1	1
18		7930336-NLA	NLA - Nut, Acorn (5/16-24)	25	1
19		04528X002	Bracket, Release, Black	1	1
20	E	1046328-NLA	NLA - Kit, Ratchet	2	1
	B,F	1042798-NLA	NLA - Instruction Sheet, Ratchet Kit	1	1

NOTE: A - Specify U67 upholstery color when ordering, see page titled "Frame Finishes, Upholstery Colors and Packaging"
 B - Not Shown
 C - 16" and Wider (before 9/5/00)
 D - After 9/5/00
 E - Includes Items 11-19 and Instruction sheet
 F - Item is no longer available from the Invacare Service Parts Department. Refer to the Invacare Website under "Product Literature Search". Enter the part number in the "Keywords" field and download a free PDF version copy.

Adjustable Angle Footplates - AT5543

60 Degree and 70 Degree Swingaway Supports w/ Straight Slide Tube



Adjustable Angle Footplates - AT5543

60 Degree and 70 Degree Swingaway Supports w/ Straight Slide Tube

Item Number	Note	Part Number	Description	Quantity Per	
				Package	Assembly
1	A	See Chart	60 Degree and 70 Degree Non-Tapered and Elevating Legrest Assembly	1	1
1	A	See Chart	70 Degree Tapered Assembly	1	1
2	C	1113572	Footplate, Adjustable Angle, Medium, Black (4-1/4" W x 8" L)	1	1
2	C	1113573	Footplate, Adjustable Angle, Large, Black (5-1/4" W x 8" L)	1	1
2	C	1113574	Footplate, Adjustable Angle, Extra Large, Black (6-1/4" W x 8" L)	1	1
3	B	1058517	Clamp, Footplate	1	1
4		1120384-NLA	NLA - Tube, Pivot/Slide, Straight - Alum. (9-7/8" L)	1	1
4		1120385	Tube, Pivot/Slide, Straight - Black (11-7/8" L)	1	1
5		1048816	Screw, Nylon Adjustment (1/2-13 x 7/8")	1	1
6		1052102	Hinge, Footplate - Right	1	1
6		1052103	Hinge, Footplate - Left	1	1
7	B	1029545	Screw, Socket Flat Head (1/4-20 x 3/4")	1	2
8	B	1082686	Nut, Barrel, Hex Head (1/4-20 x 11/16")	1	1
9		7930321-NLA	NLA Package, Screw, Socket Button Head (1/4-20 x 1-7/8")	25	1
10		1025457	Spacer, Coved (1/4 x 3/4 x 11/32")	1	2
11		1026900	Washer (1/4 x 23/32 x 1/16")	1	1
12		7930313	Package, Washer, Nylon (5/16 x 7/8 x 1/8")	25	1
13		1026907	Washer (1/4 x 1/2 x 1/16")	1	1
14		7930333	Locknut (1/4-20)	25	1

NOTE: A - Includes Items 2 thru 14.
 B - Items 3, 7 and 8 must be ordered together for chairs manufactured before 8/10/99 due to a hardware change
 C - This footplate was revised 9/2/2008 with rounder corners and accessory holes changed from 8 to 4. Recommended to replace footplate in pairs to match sides.

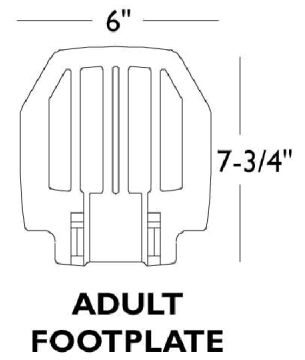
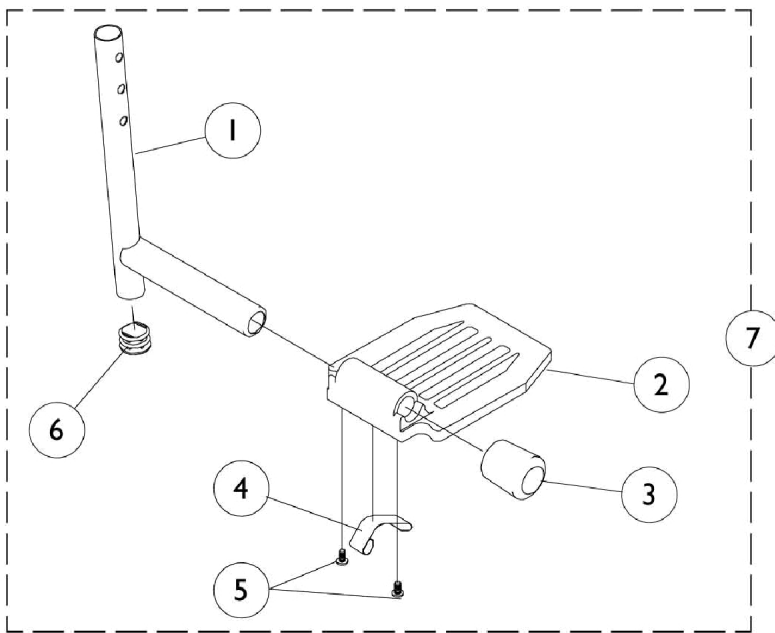
#1 60 Degree and 70 Degree Non-Tapered and Elevating Legrest Assembly

Width	Slide Tube	Footplate Size	Right Side	Left Side
14"-15" Wide	Straight (9-7/8")	5-1/4" Footplate	1060432	1060433
16"-20" Wide	Straight (9-7/8")	6-1/4" Footplate	1062572	1062573
14"-15" Wide	ALPT Straight Tube (11-7/8") Aluminum	5-1/4" Footplate	1060440-NLA	1060441
16"-20" Wide	ALPT Straight Tube (11-7/8") Aluminum	6-1/4" Footplate	1062578	1062579
14"-15" Wide	ALPT Straight Tube (11-7/8") Steel	5-1/4" Footplate	1062758	1062759
16"-20" Wide	ALPT Straight Tube (11-7/8") Steel	6-1/4" Footplate	1062760	1062761

Adjustable Angle Footplates - AT5543
60 Degree and 70 Degree Swingaway Supports w/ Straight Slide Tube
#1 70° Tapered Assembly

Width	Slide Tube	Footplate Size	Right	Left
15"-16" Wide	Straight Slide Tube (9-7/8")	4-1/4" Footplate	1060430	1060431
17"-18" Wide	Straight Slide Tube (9-7/8")	5-1/4" Footplate	1060432	1060433
19"-20" Wide	Straight Slide Tube (9-7/8")	6-1/4" Footplate	1062572	1062573
15"-16" Wide	ALPT Straight Slide Tube (11-7/8")	4-1/4" Footplate	1062576-NLA	1062577-NLA
17"-18" Wide	ALPT Straight Slide Tube (11-7/8")	5-1/4" Footplate	1060440-NLA	1060441
19"-20" Wide	ALPT Straight Slide Tube (11-7/8")	6-1/4" Footplate	1062578	1062579

A1562/A1564 - Aluminum Footplate with Pivot Slidetube



A1562/A1564 - Aluminum Footplate with Pivot Slidetube

Item Number	Note	Part Number	Description	Quantity Per	
				Package	Assembly
1	A	1048834	Pivot/Slide Tube w/ Plug Button, Black	1	1
1	A	1086481-NLA	NLA - Pivot/Slide Tube w/ Plug Button, Black (2" Longer)	1	1
1	A	1086482	Pivot/Slide Tube w/ Plug Button, Black (4" Longer)	1	1
2		44200X059	Footplate, Aluminum, Small, Black (6-3/4" W x 6" L)	1	1
2		44200X027	Footplate, Aluminum, Medium, Black (7-3/4" W x 6" L)	1	1
2		44200X025	Footplate, Aluminum, Extra Large, Black - Right (8" W x 8-1/2" L)	1	1
2		44200X026	Footplate, Aluminum, Extra Large, Black - Left (8" W x 8-1/2" L)	1	1
3		1027095	Plug Button, Black (7/8")	1	1
4	B	1006981	Spring, Tension	1	1
4	C,D	1036123	Spring, Leaf	1	1
5		1025729	Screw, Phillips Pan Head Tap (#8-32 x 3/8")	1	2
6		1027097	Plug Button, Black (3/4")	1	1
7		See Chart	60° - Pivot Slide Tube w/ Aluminum Footplate	1	1
7		See Chart	70° - Pivot Slide Tube & Aluminum Footplate	1	1

NOTE: A - Includes Items 3 and 6
 B - Use with Standard Footplates.
 C - Use with Extra Large Footplates.
 D - Use one or more leaf springs per assembly as required such that footplate may be moved by hand to the up-right position and remain in place.

Pivot Slide Tube w/ Aluminum Footplate - See Chart.

7 - Pivot Slidetube with Aluminum Footplate

60° / Elevating

Chair Width	Small Adult Footplate 6"x6"	Medium Adult Footplate 6"x7"	X-Large Adult Footplate 8"x8-1/2"	X-Large 2" Longer	X-Large 4" Longer
14" Right	1041542-NLA	--	--	--	--
14" Left	1041543-NLA	--	--	--	--
16-20" Right	--	1026401	1026395	1086515	1086516
16-20" Left	--	1026402	1026396	1086517	1086518

70° Tapered

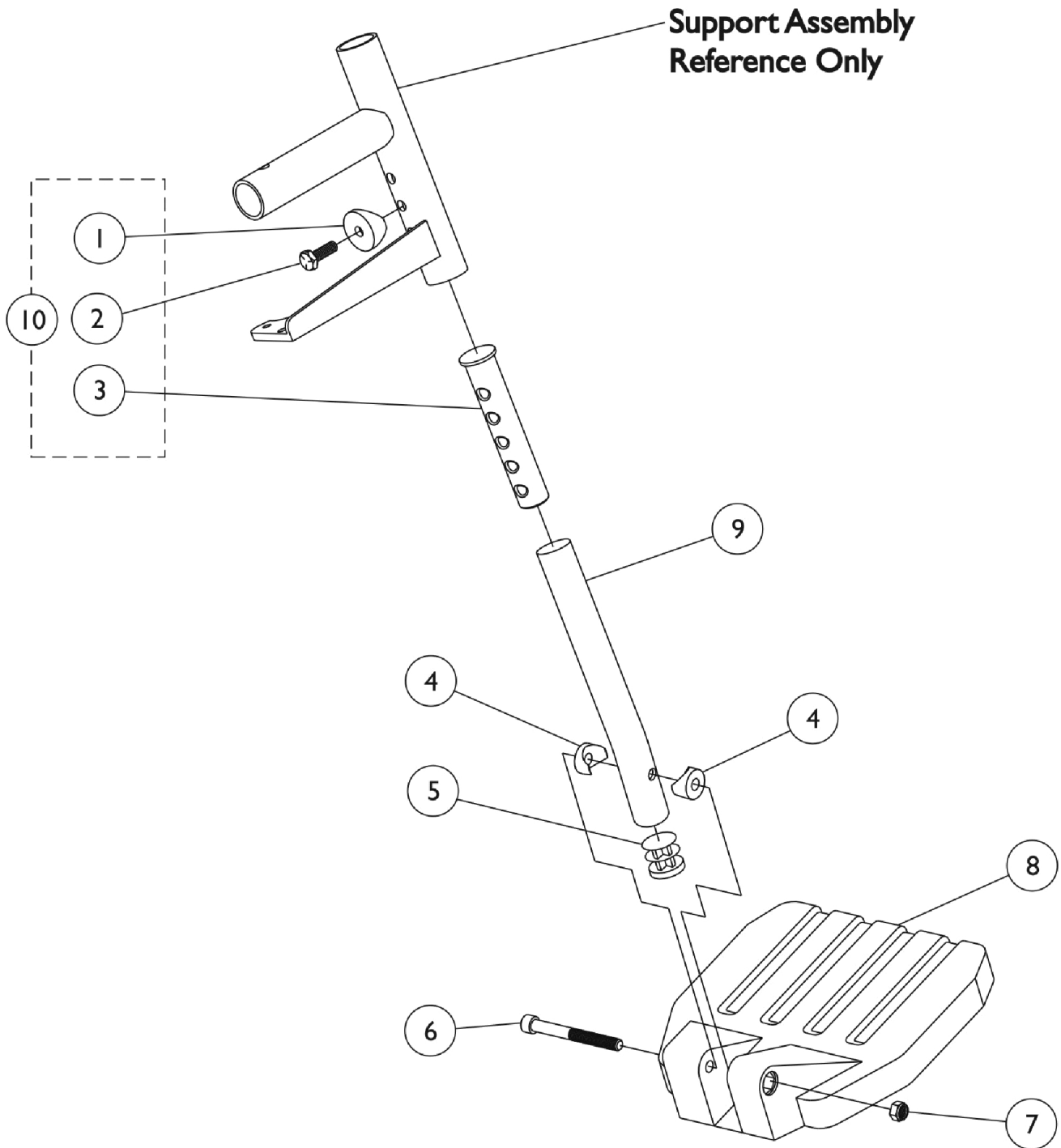
Chair Width / Side	Small Adult Footplate 6 x 6"	Medium Adult Footplate 6 x 7"
14" Right	1041542-NLA	--
14" Left	1041543-NLA	--
16-20" Right	--	1026401

A1562/A1564 - Aluminum Footplate with Pivot Slidetube

70° Tapered

Chair Width / Side	Small Adult Footplate 6 x 6"	Medium Adult Footplate 6 x 7"
16-20" Left	--	1026402

1651 Composite Footplate and Pivot Slide Tube Assemblies (Less Heel Loops)



1651 Composite Footplate and Pivot Slide Tube Assemblies (Less Heel Loops)

Item Number	Note	Part Number	Description	Quantity Per	
				Package	Assembly
1		1026099	Spacer, Coved (1/4 x 11/16 x 1/2")	1	1
2		1045267	Screw, Hex Head w/ Patch (1/4-20 x 3/4")	1	1
3	C	1020534	Insert, Threaded	1	1
4		1025457	Spacer, Coved (1/4 x 3/4 x 11/32")	1	2
5		1027097	Plug Button, Black (3/4")	1	1
6		60285X006	Screw, Socket Head (1/4-20 x 2-1/4")	1	1
7		1025195	Locknut (1/4-20)	1	1
8		1026879	Footplate, Composite, Small, Black (6" W x 6" L)	1	1
8		1026880	Footplate, Composite, Medium, Black (7" W x 6" L)	1	1
8		1026881	Footplate, Composite, Large, Black (8" W x 6" L)	1	1
9	A	1120382	Tube, Pivot/Slide, Curved End, Black - Long (9-7/8")	1	1
9	A	1120386	Tube, Pivot/Slide, Curved, 2" Longer, Black (11-7/8")	1	1
9	B	1120384-NLA	NLA - Tube, Pivot/Slide, Straight - Alum. (9-7/8" L)	1	1
9	B	1120385	Tube, Pivot/Slide, Straight - Black (11-7/8" L)	1	1
10		1026703	Kit, Pivot/Slide Tube Mounting Hardware (Pair)	1	1
11		See Chart	#11 60° Pivot Slidetube with Composite Footplate	1	1
11		See Chart	#11 70° Pivot Slide Tube with Composite Footplates	1	1

NOTE: A - 60°
B - 70°
C - As of 8/15/03, the Threaded Insert was revised from 3 to 5 Holes. Threaded Insert is Backward Compatible and does not require ordering in Pairs.

#11 Pivot Slide Tube with Composite Footplate

60° / Elevating

Chair Width	Side	Small Adult Footplate 6x6"	Medium Adult Footplate 6x7"	Large Adult Footplate 6x8"
14"	Right	1028391	--	--
	Left	1028392	--	--
16"	Right	--	1028387	--
	Left	--	1028388	--
17-20"	Right	--	--	1028383
	Left	--	--	1028384
2" Longer Pivot Tube	Right	1032627-NLA	1032625-NLA	1032623-NLA
	Left	1032628-NLA	1032626-NLA	1032624-NLA
70° Non-Tapered/ 70° Tapered	Right	1042784-NLA	--	--
	Left	1042785-NLA	--	--
16"	Right	--	1042786	--
	Left	--	1042787	--

1651 Composite Footplate and Pivot Slide Tube Assemblies (Less Heel Loops)

#11 Pivot Slide Tube with Composite Footplate

60° / Elevating

Chair Width	Side	Small Adult Footplate 6x6"	Medium Adult Footplate 6x7"	Large Adult Footplate 6x8"
17-20"	Right	--	--	1042788
	Left	--	--	1042789
2" Longer Pivot Tube	Right	1042790	1042792	1042794
	Left	1042791	1042793	1042795

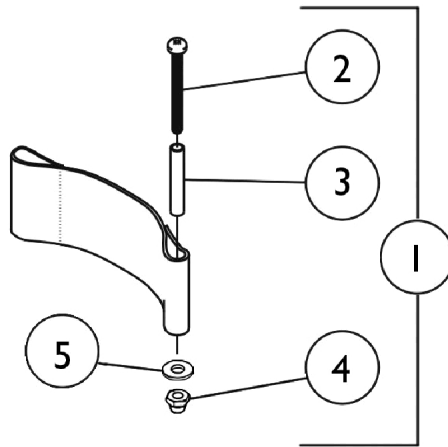
1651 Composite Footplate and Pivot Slide Tube Assemblies (Less Heel Loops)

#11 Pivot Slide Tube with Composite Footplates

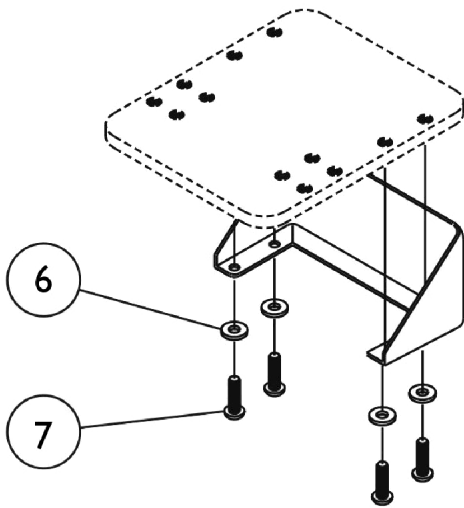
70° Non-Tapered, 70° Tapered

Chair Width	Side	Small Adult Footplate 6"x6"	Medium Adult Footplate 6"x7"	Large Adult Footplate 6"x8"
14" W	Right	1042784-NLA	--	--
	Left	1042785-NLA	--	--
16" W	Right	--	1042786	--
	Left	--	1042787	--
17-20" W	Right	--	--	1042788
	Left	--	--	1042789
2" Longer Pivot Slide Tube	Right	1042790	1042792	1042794
2" Longer Pivot Slide Tube	Left	1042791	1042793	1042795

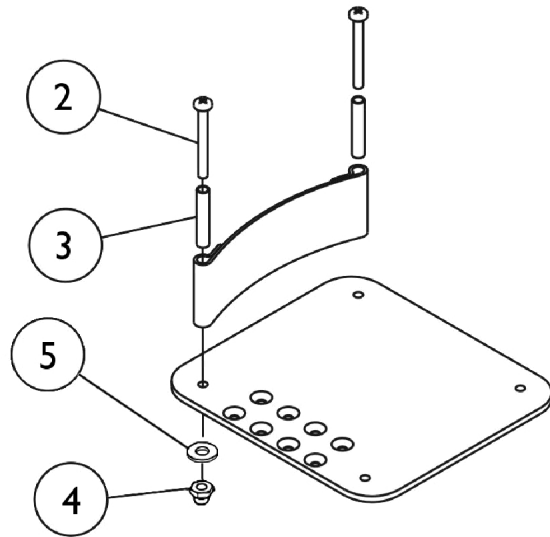
Heel Loop Hardware



**Heel Loop
for 1651 - A1562 - A1564**



**Heel Loop
for AT5543 (Before 9/2/08)**



**Heel Loop
for AT5543 (After 9/2/08)**

Heel Loop Hardware

Heel Loop Hardware

Item Number	Note	Part Number	Description	Quantity Per	
				Package	Assembly
1		1035931	Kit, Heel Loop Attaching Hardware (Pair)	2	1
6		1028516	Washer, Steel (3/16 x 7/16 x 1/16")	1	4
7		1026115-NLA	NLA - Screw, Phillips Pan Head (#10-32 x 5/16")	1	4
	A	See Chart	Heel Loops - A5543 Adjustable Angle Footplates	1	1
	A	See Chart	Heel Loops - A1562 Aluminum Footplates	1	1
	A	See Chart	Heel Loops - A1564 Extra Large Footplates	1	1
	A	See Chart	Accessories - Heel Loops - 1651 Composite Footplates	1	1

NOTE: A - Not Shown. Includes items 2-5

Heel Loops - A5543 Adjustable Angle Footplates

Chair Width/Type	Heel Loop Single	Heel Loop Pair	Attaching Hardware Pair
14" Small 60 Degree, 70 Degree Non-Tapered	1030958-NLA	1036101	1035931
16-17" Medium 60 Degree, 70 Degree Non-Tapered	99816X024	1069037	1035931
18-20" Large 60 Degree, 70 Degree Non-Tapered	99816X024	1068624	1035931
16-18" Medium 70 Degree Tapered	1017621	1035917-NLA	1035931
20" Large 70 Degree Tapered	1027000	1035929	1035931

Heel Loops - A1562 Aluminum Footplates

Chair Width/Type	Heel Loop Single	Heel Loop Pair	Attaching Hardware Pair
14" Small 60 Degree, 70 Degree Non-Tapered	1017621	1035917-NLA	1035931
16-20" Large 60 Degree, 70 Degree Non-Tapered	1027000	1035929	1035931
16-18" Medium 70 Degree Tapered	1017621	1035917-NLA	1035931
20" Large 70 Degree Tapered	1027000	1035929	1035931

Heel Loop Hardware

Heel Loops - A1564 Extra Large Footplates

Chair Width/Type	Heel Loop Single #	Heel Loop Pair #	Attaching Hardware Pair
16-20" Large 60 Degree, 70 Degree Non-Tapered	1027000	1035929	1035931

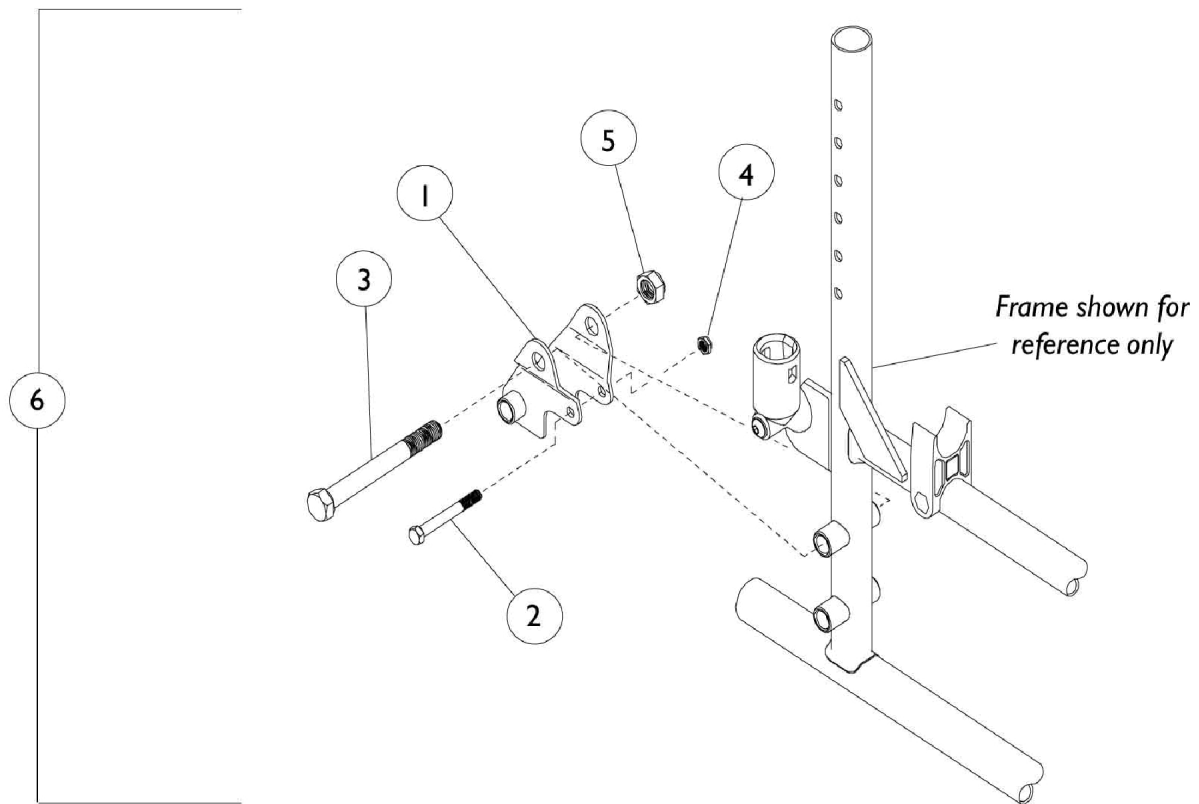
Heel Loop Hardware

1651 Composite Footplates

Chair Width/Type	Heel Loop Single	Heel Loop Pair	Attaching Hardware Pair
14" Special 60 Degree, 70 Degree Non-Tapered	1025234-NLA	1035905	1035931
16" Medium 60 Degree, 70 Degree Non-Tapered	1017621	1035917-NLA	1035931
18-20" Large 60 Degree, 70 Degree Non-Tapered	1027000	1035929	1035931
14-16" Special 70 Degree Tapered	1025234-NLA	1035905	1035931
18" Medium 70 Degree Tapered	1017621	1035917-NLA	1035931
20" Large 70 Degree Tapered	1027000	1035929	1035931

Amputee Attachment and Rear Anti-Tipper

Due to changes in paint finishes, it is recommended that Anti-Tippers be ordered in pairs.



Amputee Attachment and Rear Anti-Tipper

Due to changes in paint finishes, it is recommended that Anti-Tippers be ordered in pairs.

Item Number	Note	Part Number	Description	Quantity Per	
				Package	Assembly
6	A	1182781	Kit, Amputee Attachment, Black (Pair)	2	1
1			Bracket, Amputee, Black - Right Adult/ Left Hemi	1	1
1			Bracket, Amputee, Black - Left Adult/ Right Hemi	1	1
2			Screw, Hex Head (1/4-20 x 1-1/2")	1	2
3			NLA - Screw, Hex Head (7/16-20 x 2-1/2")	1	2
4			Locknut (1/4-20)	1	2
5			Locknut (7/16-20)	1	2
		See Chart	Rear Anti-Tipper	1	1
	B	1058669-NLA	NLA - Instruction Sheet	1	1

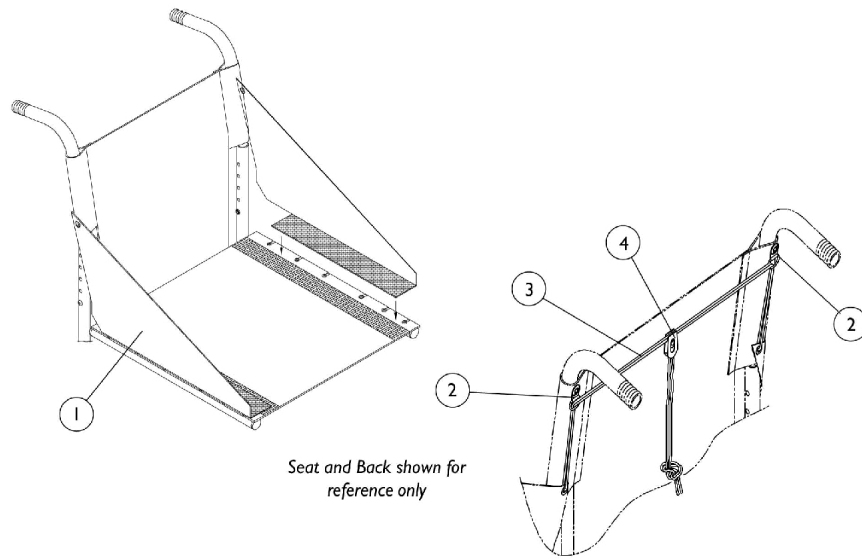
NOTE: A - Includes Items 1-5
B - Not Shown

Rear Anti-Tipper

Part Number	Description	Quantity
1061112	Anti-Tipper - 1360A	1
See Note(s) D, A, B		
1061111	Anti-Tipper - 1360	1
See Note(s) A, C, D		

NOTE: A - Includes Hardware
B - For chairs with 6" Fork & Caster
C - For chairs with 8" Fork & Caster
D - Not SHown

Fabric Clothing Protector



Fabric Clothing Protector

Item Number	Note	Part Number	Description	Quantity Per	
				Package	Assembly
1		1057388-NLA	NLA - Protector, Fabric Clothing (Pair)	2	2
2		1029407-NLA	NLA - Ring, "D"	1	2
3		1141633	Cord, Nylon (6-1/2 ft.)	1	1
4		1029412	Lock, Cord, Black	1	1
	A,B	1054770-NLA	NLA - Kit, Clothing Protector Hardware	1	1
	A,C	1035976-NLA	NLA - Protector, Fabric Clothing with Hardware (Pair)	2	2
NOTE: A - Not shown B - Includes items 2-4 C - Includes items 1-4					

Positioning Straps and Crutch and Cane Carrier

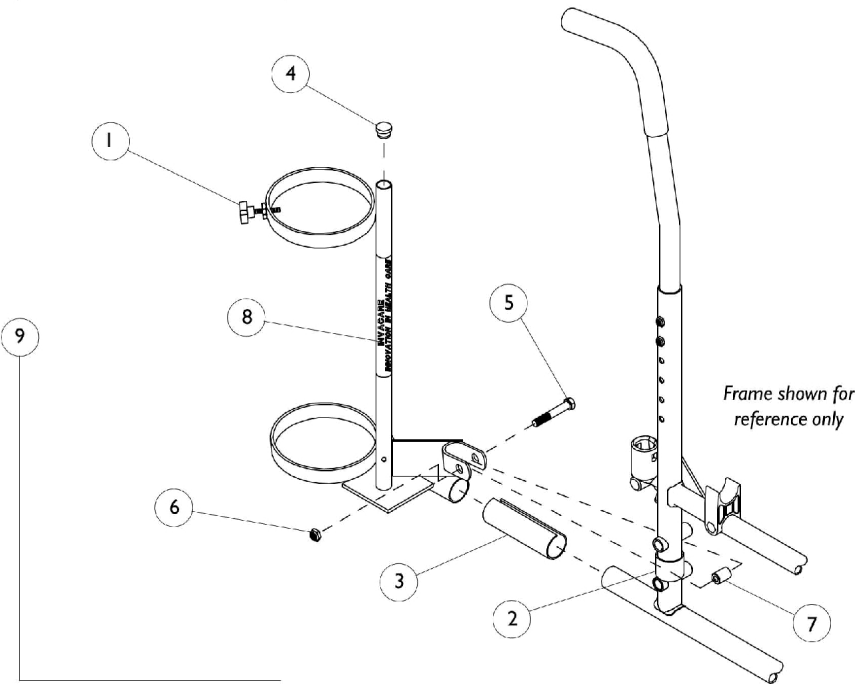
Positioning Straps

Part Number	Description	Quantity Per Package	Quantity Per Assembly
1004310 See Note(s) B, A	Seat/Chest Positioning Strap Auto Style Buckle	1	1
1034625 See Note(s) C, A	Seat/Chest Positioning Strap Auto Style Buckle See Note(s) B	1	1
1034744 See Note(s) A	Seat/Chest Positioning Strap Hook & Loop Style Buckle See Note(s) C	1	1
1034745 See Note(s) A	Chest Positioning Strap Hook & Loop Style Buckle	1	1
NOTE: A - Not Shown B - Eyelet to Eyelet length 45" C - Eyelet to Eyelet length 58"			

Crutch and Cane Carrier

Part Number	Description	Quantity Per Package	Quantity Per Assembly
1034204 See Note(s) B, A	Crutch & Cane Carrier	1	1
1083232 See Note(s) B	Instruction Sheet	1	1
NOTE: A - Includes Instrucion Sheet B - Not Shown			

Oxygen Holder

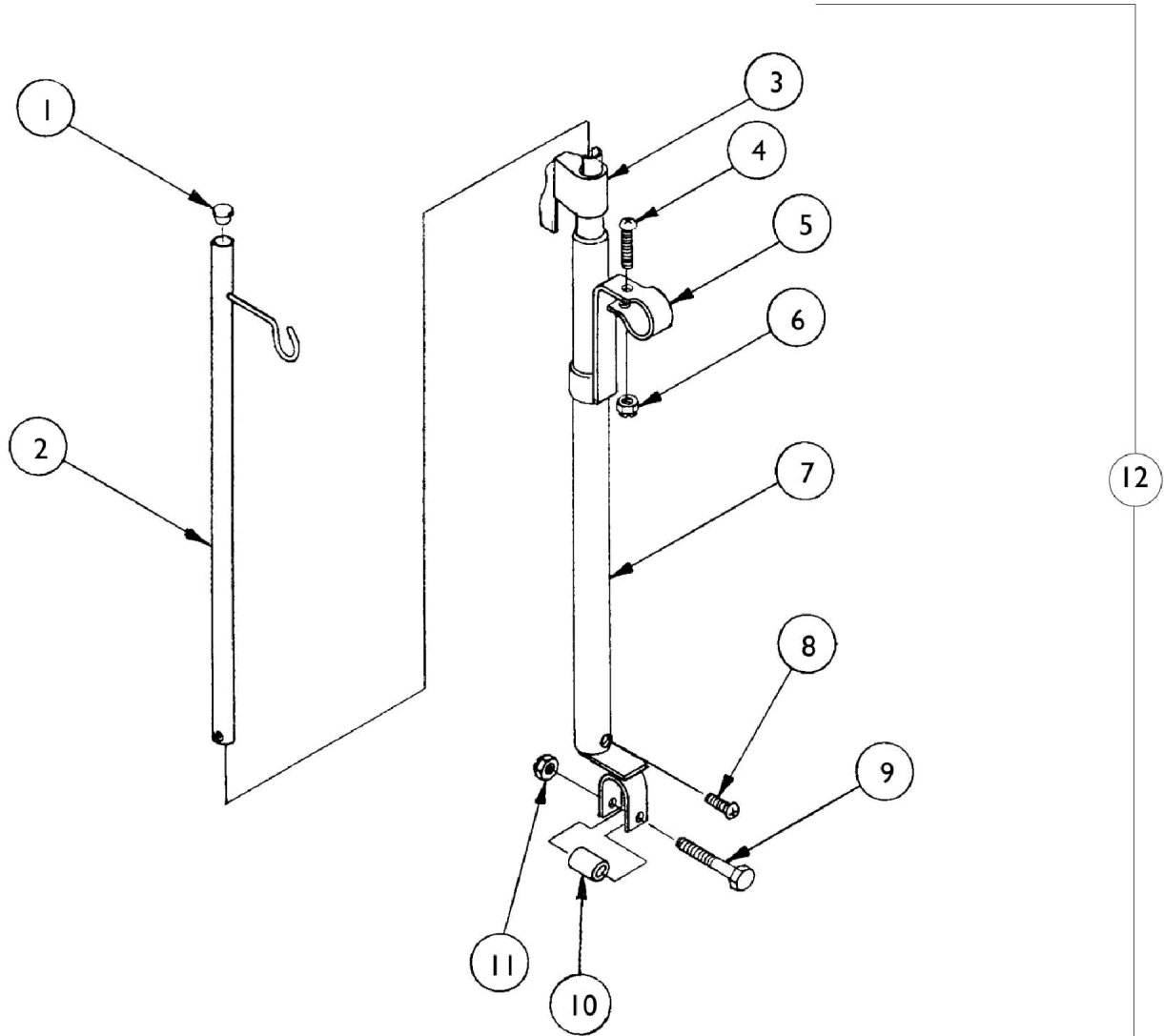


Oxygen Holder

Item Number	Note	Part Number	Description	Quantity Per	
				Package	Assembly
1		1027684	Knob, Clamping, Black	1	1
2		1023618	Insert, Guide Tube, Black (1" Long)	1	1
3		1023560	Insert, Guide Tube, Black (3-3/4" Long)	1	1
4		1017672	Plug Button, Grey (1/2")	1	1
5		11239X000-NLA	NLA - Screw, Hex Head (5/16-24 x 1-3/4")	1	1
6		7930363-NLA	NLA - Package, Locknut (5/16"-24)	25	1
7		1102577	Spacer, Black (5/16 x 11/16 x 15/16")	1	1
8		1095497	Decal, Invacare Logo (1.6)	1	1
9	B	1070901	Holder, Oxygen	1	1
	A	1027930	Instruction Sheet, Oxygen Holder	1	1

NOTE: A - Not Shown
B - Includes items 1-7 and Instruction Sheet

I.V. Rod (Non-Recliner)

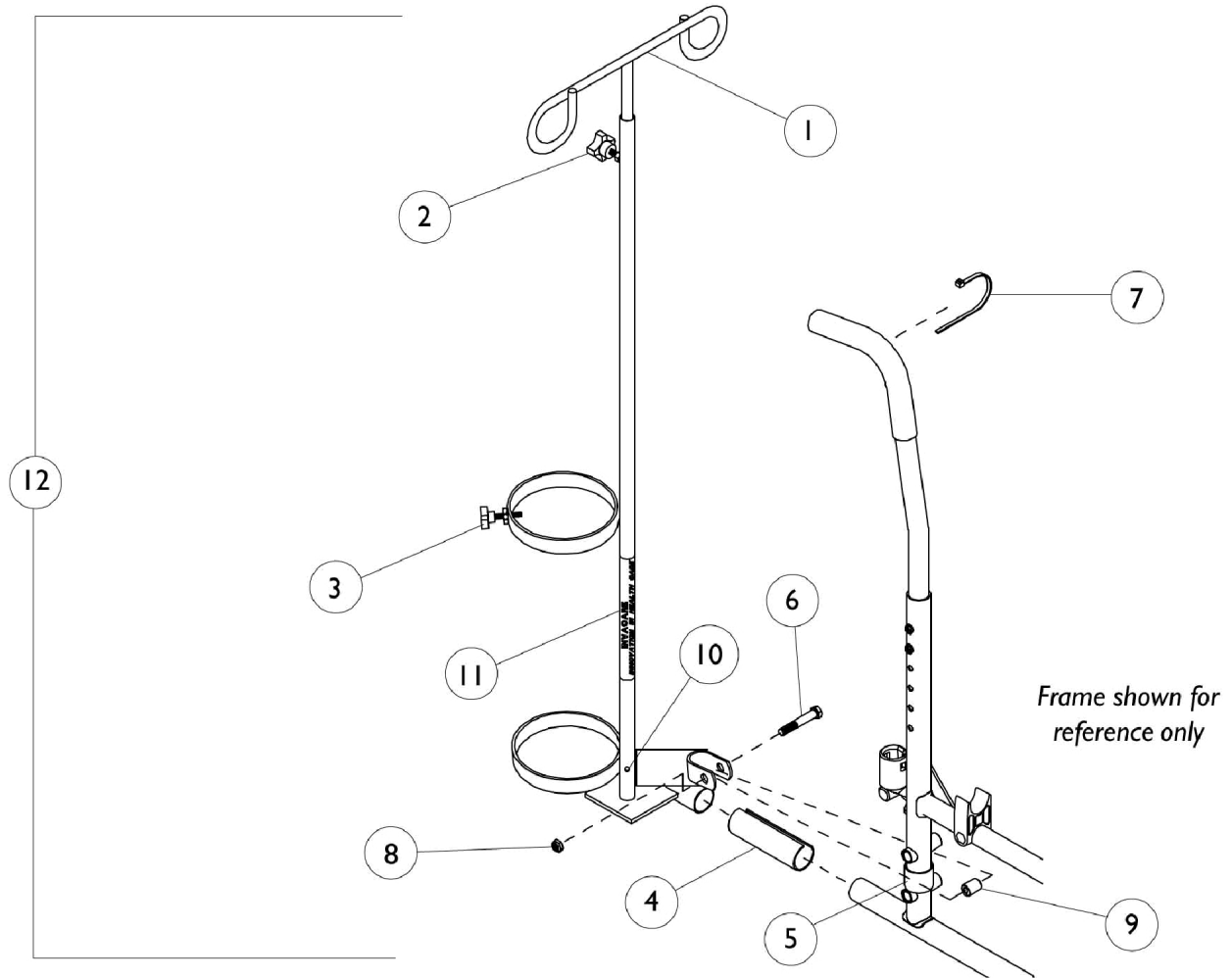


I.V. Rod (Non-Recliner)

Item Number	Note	Part Number	Description	Quantity Per	
				Package	Assembly
1		1027095	Plug Button, Black (7/8")	1	1
2		04701X028	Rod, I.V.	1	1
3		12592X000-NLA	NLA - Adjustment Lock Assembly, Chrome	1	1
4		16718X000-NLA	NLA - Screw, Phillips Pan Head (#10-32 x 7/8")	1	1
5		1020082	Bracket, Mounting, Chrome	1	1
6		7930365-NLA	NLA - Locknut (#10-32)	25	1
7		1017623	Socket, I.V.	1	1
8		21243X000-NLA	NLA - Screw, Phillips Pan Head (#6-20 x 3/8")	1	1
9		11239X001	Screw, Hex Head (5/16-24 x 1-1/2")	1	1
10		1102577	Spacer, Black (5/16 x 11/16 x 15/16")	1	1
11		7930363-NLA	NLA - Package, Locknut (5/16"-24)	25	1
12	B	1036820-NLA	NLA - Rod, I.V.	1	1
	A	1083233	Instruction Sheet	1	1

NOTE: A - Not Shown
B - Includes Items 1-11 and Instruction Sheet

I.V. / Oxygen Holder



I.V. / Oxygen Holder

Item Number	Note	Part Number	Description	Quantity Per	
				Package	Assembly
1		1027468	Rod, I.V.	1	1
2		1027683	Knob, Adjustment, Black	1	1
3		1027684	Knob, Clamping, Black	1	1
4		1023560	Insert, Guide Tube, Black (3-3/4" Long)	1	1
5		1023618	Insert, Guide Tube, Black (1" Long)	1	1
6		11239X000-NLA	NLA - Screw, Hex Head (5/16-24 x 1-3/4")	1	1
7		98007X005	Tie Wrap (11-1/2" L)	1	1
8		7930363-NLA	NLA - Package, Locknut (5/16"-24)	25	1
9		1102577	Spacer, Black (5/16 x 11/16 x 15/16")	1	1
10		1027789	Pin, Roll	1	1
11		1095497	Decal, Invacare Logo (1.6)	1	1
12	B	1070899	Holder, I.V./Oxygen	1	1
	A	1027931	Instruction Sheet, I.V./Oxygen Holder	1	1

NOTE: A - Not Shown
B - Includes Items 1-10 Instruction Sheet

Back/Seat Accessories

Solid Back Insert

Width	16" Height	18" Height
14" Width	8881052671-NLA	8881052672-NLA
16" Width	8881052675-NLA	8881052676-NLA
17" Width	8881052677-NLA	8881052678-NLA
18" Width	8881052679-NLA	8881052680-NLA
20" Width	8881052683-NLA	8881052684-NLA

Solid Seat Insert

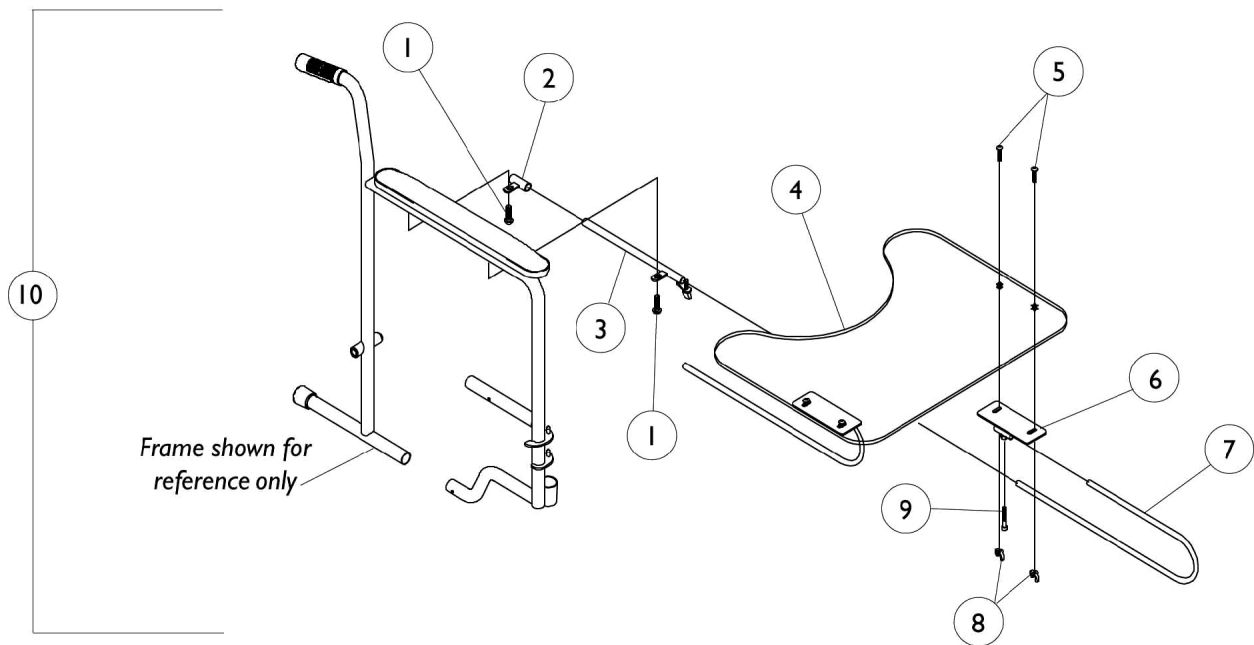
Width	16" Depth	18" Depth
14" Width	8881052557	--
16" Width	8881052563	8881052565
17" Width	8881052566	8881052568
18" Width	8881052569	8881052571
20" Width	8881052575	8881052577

Back/Seat Accessories

Back Pack/Seat Pouch

Chair Width	Part Number	Description
14" Wide	1109322-NLA	Back Pack 11" W x 13" H x 4" D
16-20" Wide	1109323	Back Pack 14" W x 12" H x 4" D
14-20" Wide	1109324	Seat Pouch 8-1/2" W x 7" H x 4" D

Utility Tray

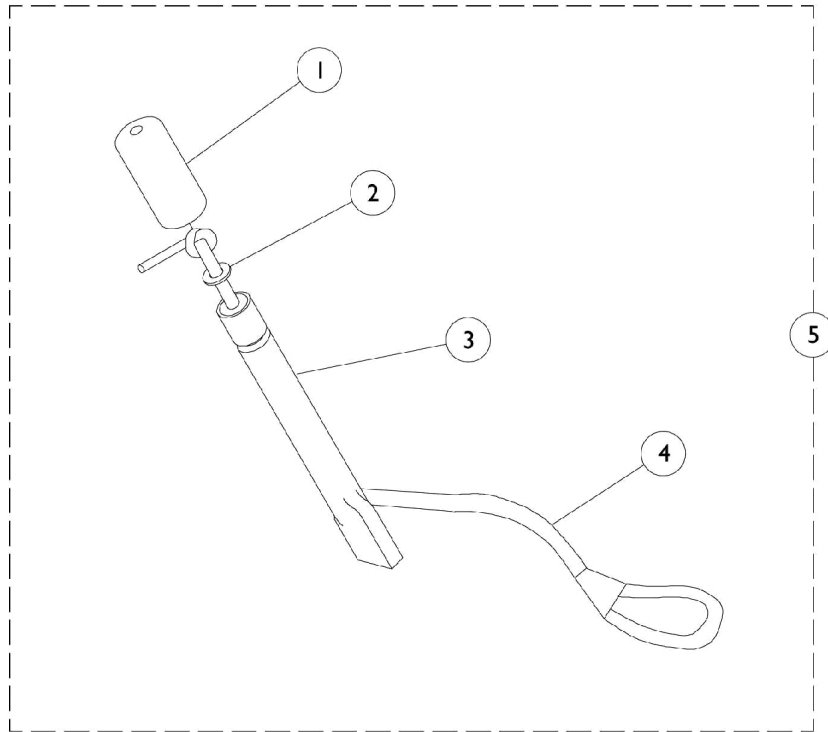


Utility Tray

Item Number	Note	Part Number	Description	Quantity Per	
				Package	Assembly
1		11008X001-NLA	NLA - Screw, Phillips Pan Head (#10-32 x 1-3/8")	1	2
2		04570X002-NLA	NLA - Tube, Support, Slide, Chrome	1	2
3		04570X009-NLA	NLA - Tube, Slide Lock, Full Length Arm - Right	1	1
3		04570X010-NLA	NLA - Tube, Slide Lock, Full Length Arm - Left	1	1
3		04570X011-NLA	NLA - Tube, Slide Lock, Desk Length Arm - Right	1	1
3		04570X012-NLA	NLA - Tube, Slide Lock, Desk Length Arm - Left	1	1
4		47469X006-NLA	NLA - Tray	1	1
5		10123X006	Bolt, Carriage (1/4-20 x 3/4")	1	4
6		1009341-NLA	NLA - Bracket, Tray	1	2
7		1010922-NLA	NLA - Tube, Support	1	2
8		20148X004-NLA	NLA - Nut, Wing (1/4-20)	1	4
9		60284X001	Screw, Socket Head (1/4-20 x 1/2")	1	2
10	B	1035965-NLA	NLA - Tray, Utility, Full Length Arm	1	1
10	B	1035966-NLA	NLA - Tray, Utility, Desk Length Arm	1	1
	A	1011234	Wrench, Allen (3/16")	1	1
	A,C	1023704-NLA	NLA - Instruction Sheet	1	1

NOTE: A - Not Shown
 B - Includes Instruction Sheet
 C - Item is no longer available from the Invacare Service Parts Department. Refer to the Invacare Website under "Product Literature Search". Enter the part number in the "Keywords" field and download a free PDF version copy.

Wheel Lock Extension Handle



Wheel Lock Extension Handle

Item Number	Note	Part Number	Description	Quantity Per	
				Package	Assembly
1	A	1128817	Package, Tip, Rubber, Black (Pkg. of 10)	1	1
2		1013218	Washer (#10 Flat)	1	1
3		1038597-NLA	NLA - Handle, Extension, Black (6")	1	1
4		1038662-NLA	NLA - Cord, Elastic	1	1
5	B	1063125	Wheel Lock Extension Handle Assembly	1	1
5	B,C	1038599	Wheel Lock Extension Handle Assembly, Black (6") (Pair)	2	1
	D	1039644-NLA	NLA - Instruction Sheet, Wheel Lock Extensions	1	1
NOTE: A - After 8/02 B - Includes items 1-4 C - Includes Instruction Sheet D - Not Shown					

Invacare Corporation

www.invacare.com



Yes, you can.

One Invacare Way
Elyria, Oh USA
44036-2125
800-333-6900

Technical Support
800-832-4707
Customer Service
800-333-6900

Customer Service
800-333-6900

© 2022 Invacare Corporation. Elyria, Ohio.
All rights reserved. Republication,
duplication or modification in whole or in part
is prohibited without prior written permission
from Invacare. Trademarks are identified by
™ and ®. All trademarks are owned by or
licensed to Invacare Corporation or its
subsidiaries unless otherwise noted.
All trademarks are owned by or licensed to
Invacare Corporation or its subsidiaries
unless otherwise noted.
(Revised 07/11/22)

Form No. 98-252