

**HTR Tilt/Recline
(TEMPORARILY SUSPENDED)**



Yes, you can.

Parts Catalog Usage Guide

The information contained in this document is subject to change without notice. This catalog contains service parts for Form No. 98-140. If you have any questions regarding this catalog, please contact one of our Customer Service Representatives.

For Customer Service Support Call:

1-800-333-6900

For Faxed In Orders Call:

1-800-678-4682 or

1-440-366-0709

For Technical Service Call:

1-800-832-4707

Literature Can Be Found at:

www.invacare.com or

1-800-828-6272

SYMBOL DEFINITION

Throughout this catalog you will notice letters to draw your attention to specific footnotes which are located at the bottom of the page or below specified charts.

Examples:

A,B,C etc. = Special Comments

NOTE: = General information pertaining to that specific page

NLA = No Longer Available

HARDWARE MEASUREMENTS

The measurements for the hardware will be listed as follows:

Screws, Bolts Diameter X Thread Count/Pitch X Length

Washers Inside Diameter X Outside Diameter X Thickness

Spacers Inside Diameter X Outside Diameter X Length

For your convenience, we have supplied an area for you to list your Invacare Representatives.

Name	Phone Numbers

© 2022 Invacare Corporation. All rights reserved. Republication, duplication or modification in whole or in part is prohibited without prior written permission from Invacare. Trademarks are identified as ™ and ®. All trademarks are owned by or licensed to Invacare Corporation or its subsidiaries unless otherwise noted.

TABLE of CONTENTS

Description	Page Number
Abduction Pommel	60
Arms	15
Back Assembly - Lower Recline	10
Back Assembly - Upper Recline	12
Base Frame	5
Casters - 5"	20
Casters - 6" and 8"	22
Forks & Hardware	18
Front Anti-Tippers	65
Front Riggings - Articulating Legrest Support Assembly	38
Front Riggings - Footboard Pad Assembly	50
Front Riggings - Footrest Support Assembly	47
Front Riggings - Front Rigging Hanger Assembly	49
Front Riggings - Legrest Calf Pad Assembly & Pivot/Slide Tube w/ Footplate	42
Front Riggings - One Piece Elevating Footboard	44
Front Riggings - Pivot/Slide Tube w/ Footplate	48
Handrim	27
Headrest	52
Headrest Extension	56
Headwings	54
I.V. Pole	62

TABLE of CONTENTS

Description	Page Number
Lap Tray	64
Lateral Trunk Support	58
Omit Recline Tube	14
Packaging & Literature	4
Rear Anti-Tipper	23
Seat Frame	7
Seat Positioning Strap	51
Side Bolsters	67
Vinyl Tray Pad	66
Wheel Lock - 12" Wheels	29
Wheel Lock - 20" Wheels	31
Wheel Lock - 24" Wheel (After 1/99)	36
Wheel Lock - 24" Wheel (Before 2/98)	33
Wheel Lock - 24" Wheel (From 2/98 to 2/99)	35
Wheels & Hardware (12", 20" & 24")	24

Packaging & Literature

NOTE: When adjusting or replacing parts, please refer to your owner's manual for assistance. THE PRODUCTION OF THE HTR IS CURRENTLY SUSPENDED AND SOME SERVICE PARTS MAY NOT BE AVAILABLE TO ORDER.

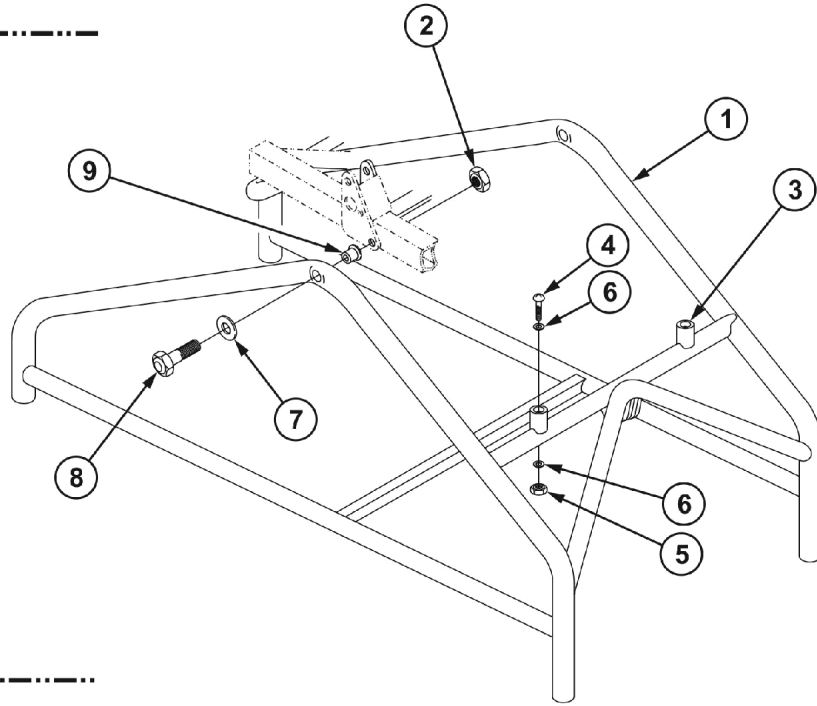
Part Number	Description
340020	Carton Base HTR
340021	Carton Top HTR
340024-NLA	Pallet, HTR
1104931-NLA See Note(s) A	Owner's Manual

NOTE: A - Item is no longer available from the Invacare Service Parts Department. Refer to the Invacare Website under "Product Literature Search". Enter the part number in the "Keywords" field and download a free PDF version copy.

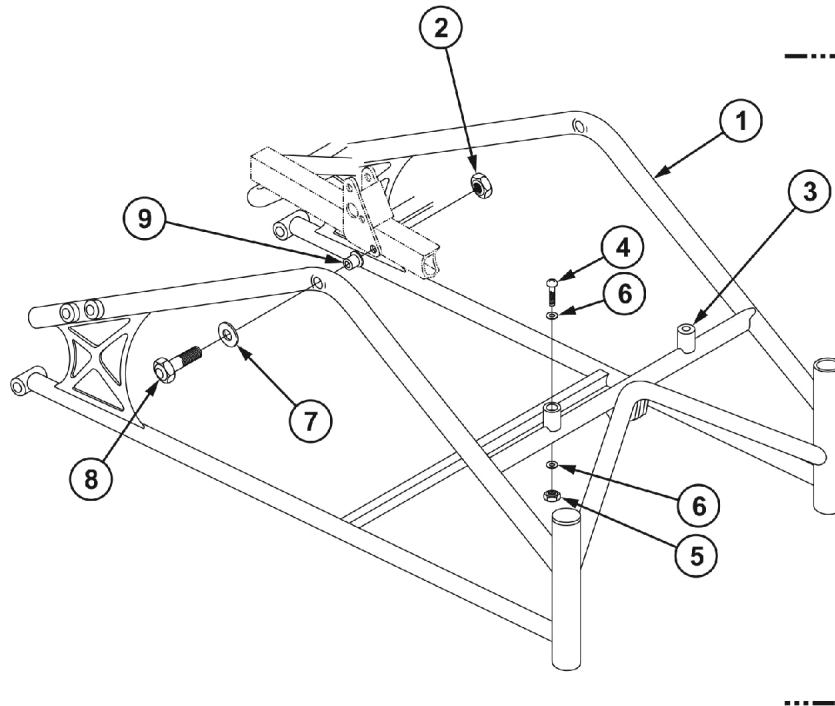
Base Frame

THE PRODUCTION OF THE HTR IS CURRENTLY SUSPENDED AND SOME SERVICE PARTS MAY NOT BE AVAILABLE TO ORDER.

Model 3000
Model 3500



Model 5000
Model 5500



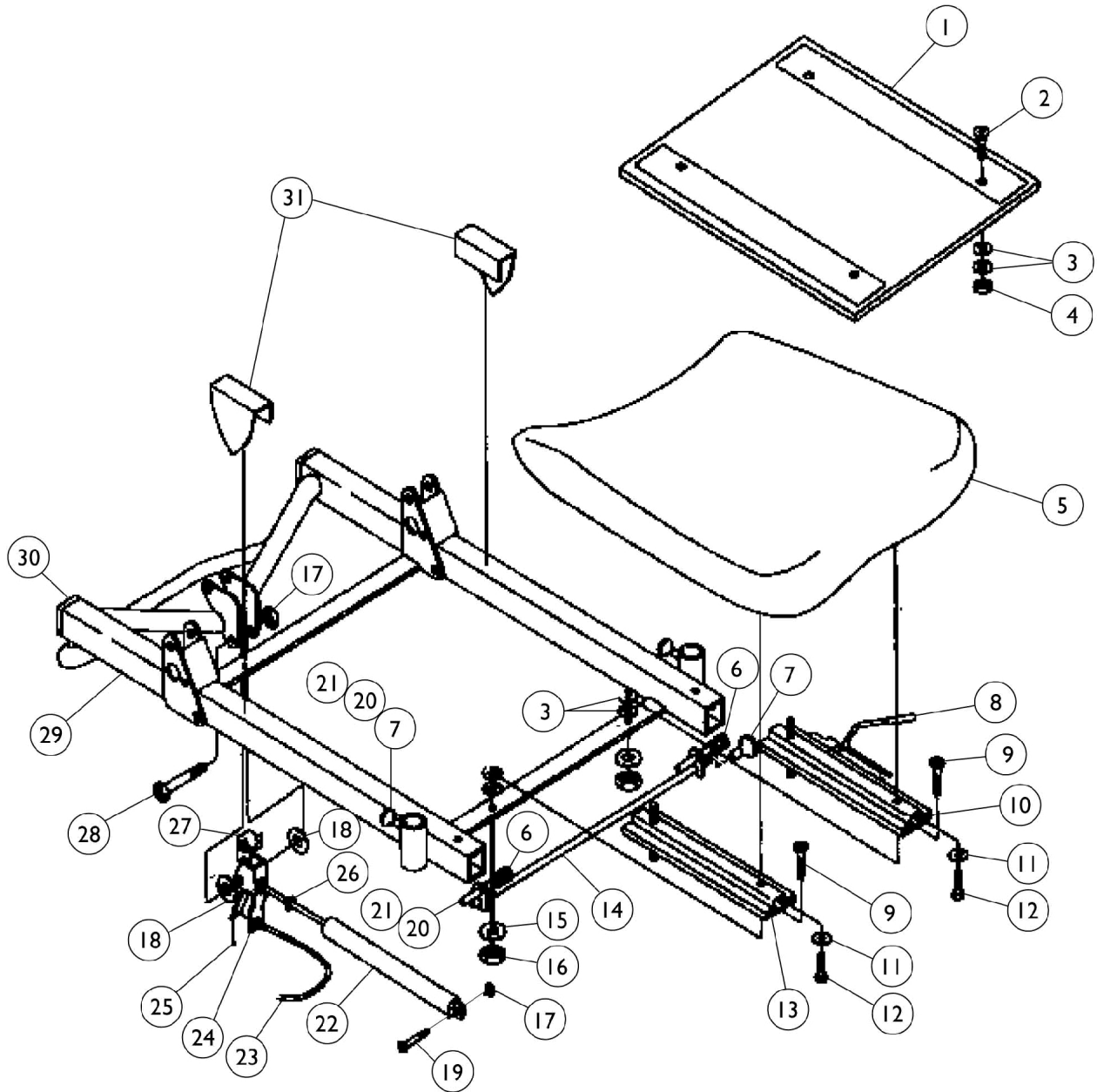
Base Frame

THE PRODUCTION OF THE HTR IS CURRENTLY SUSPENDED AND SOME SERVICE PARTS MAY NOT BE AVAILABLE TO ORDER.

Item Number	Note	Part Number	Description	Quantity Per	
				Package	Assembly
1	A,D,F	440537-1-NLA	Frame, Base, Model 3000 - Chrome (16")	1	1
1	E,F	1129539-NLA	Frame, Base, Model 3000 - Grey (16")	1	1
1	A,D,F	440538-1-NLA	Frame, Base, Model 3500 - Chrome (18")	1	1
1	E,F	1129540-NLA	Frame, Base, Model 3500 - Grey (18")	1	1
1	A,D,G	440477-1-NLA	Frame, Base, Model 5000 - Chrome (16")	1	1
1	E,G	1129530-NLA	Frame, Base, Model 5000 - Grey (16")	1	1
1	A,D,G	440478-1-NLA	Frame, Base, Model 5500 - Chrome (18")	1	1
1	E,G	1129531-NLA	Frame, Base, Model 5500 - Grey (18")	1	1
2		1089061-NLA	NLA - Locknut (3/8-16)	1	2
3	B	1087244-NLA	NLA - Bumper - Right	1	1
3	B	1087245-NLA	NLA - Bumper - Left	1	1
3	C	1088047	NLA - Kit, Bumper Retrofit	1	1
			Locknut (1/4-20)	1	4
			NLA - Washer, Steel Flat (1/4 x 5/8 x 1/16")	1	4
			Clamp, Bottom	1	2
			Retrofit, Upper Sub Assembly - Tall	1	1
			Retrofit, Upper Sub Assembly - Short	1	1
			Key, Hex	1	1
			Instruction Sheet	1	1
4		1083101-NLA	NLA - Screw, Phillips Truss Head (#10-32 x 2")	1	2
5		1108194-NLA	NLA - Locknut (#10-32)	1	2
6		1013218	Washer (#10 Flat)	1	4
7		1108130-NLA	NLA - Washer, Nylon (1/2 x 3/4 x 3/32")	1	2
8		1108119-NLA	NLA - Screw, Hex Head (3/8-16 x 3-1/4")	1	2
9		320010-NLA	NLA - Bearing, Flange (3/8" I.D.)	1	2
<p>NOTE: A - When ordering a frame for chairs built before 6/1/99 a Bumper Retrofit Kit, item #3, must be ordered as well. B - After 5/31/99. C - Before 6/1/99. D - Before 1/24/05. For use on chairs with "Chrome Frame Finish." E - After 1/23/05. For use on chairs with "Grey Frame Finish." F - Frame fits 5" Casters only. G - Frame fits 24" Wheels only.</p>					

Seat Frame

THE PRODUCTION OF THE HTR IS CURRENTLY SUSPENDED AND SOME SERVICE PARTS MAY NOT BE AVAILABLE TO ORDER.



Seat Frame

THE PRODUCTION OF THE HTR IS CURRENTLY SUSPENDED AND SOME SERVICE PARTS MAY NOT BE AVAILABLE TO ORDER.

Item Number	Note	Part Number	Description	Quantity Per	
				Package	Assembly
1		460068-NLA	NLA - Pan, Seat, with Hook and Loop Fasteners (16" and 18" W)	1	1
2		1108191-NLA	NLA - Screw, Flat Head (1/4-10 x 1")	1	4
2		0288706-NLA	NLA - Screw, Socket, Flat Head (1/4-20 x 1")	1	4
3		1108106	Washer, Nylon (5/16 x 3/4 x 1/8")	1	8
4		1025736	Locknut (1/4-20)	1	4
5		450088-25-NLA	Seat, Contoured, Mauve (16")	1	1
5		450089-25-NLA	Seat, Contoured, Mauve (18")	1	1
5		450088-26-NLA	Seat, Contoured, Grotto (16")	1	1
5		450089-26-NLA	Seat, Contoured, Grotto (18")	1	1
5		450088-27-NLA	Seat, Contoured, Blueberry (16")	1	1
5		450089-27-NLA	NLA - Seat, Contoured, Blueberry (18")	1	1
6		1108194-NLA	NLA - Locknut (#10-32)	1	2
7		1108134	Knob, Black	1	2
8		TR46B	Sleeve, Plastic	1	1
9		1013560-NLA	NLA - Screw, Hex Head (5/16-18 x 1-1/2")	1	4
10		440544	Slide, Seat - Left	1	1
11		1040292-NLA	NLA - Washer, Steel Flat (1/4 x 5/8 x 1/16")	1	4
12		1108192-NLA	Screw, Hex Head (1/4-20 x 1")	1	4
13		440545	Slide, Seat - Right	1	1
14		420131-1-NLA	Adjuster, Leg (16")	1	1
14		420132-1	Adjuster, Leg (18")	1	1
15		16308X000	Washer, Flat (5/16 x 11/16 x 1/16")	1	4
16		1108122-NLA	NLA - Locknut (5/16-18)	1	4
17		60290X002	Locknut (5/16-18)	1	2
18		1108114-NLA	NLA - Washer, Nylon (5/16 x 1/2 x 1/16")	1	2
19		1013560-NLA	NLA - Screw, Hex Head (5/16-18 x 1-1/2")	1	1
20		1108188-NLA	Spring, Lift Pin	1	2
21		1132722	Pin, Release	1	2
22	J	350025-NLA	NLA - Strut, Gas	1	1
22		1047705	Cylinder, Lock, Tilt - Left	1	1
23		350039-NLA	NLA - Cable, Tilt with Handle	1	1
24		TR432	Activator, Strut	1	1
25		1108155-NLA	Clip, Tinnerman, U-Type	1	1
26		16325X000-NLA	NLA - Washer (3/8 x 13/16 x 1/16")	1	1
27		B444-NLA	NLA - Spacer (5/16 x 7/16 x 3/4")	1	1
28		1108121-NLA	NLA - Screw, Hex Head (5/16-18 x 2")	1	1
29	G	440492-1-NLA	Frame, Seat, Chrome (16")	1	1
29	H	1129532-NLA	Frame, Seat, Grey (16")	1	1
29	G	440493-1-NLA	Frame, Seat, Chrome (18")	1	1
29	H	1129533-NLA	Frame, Seat, Grey (18")	1	1
30		1071237	Plug Button, Square, Black (1")	1	2

Seat Frame

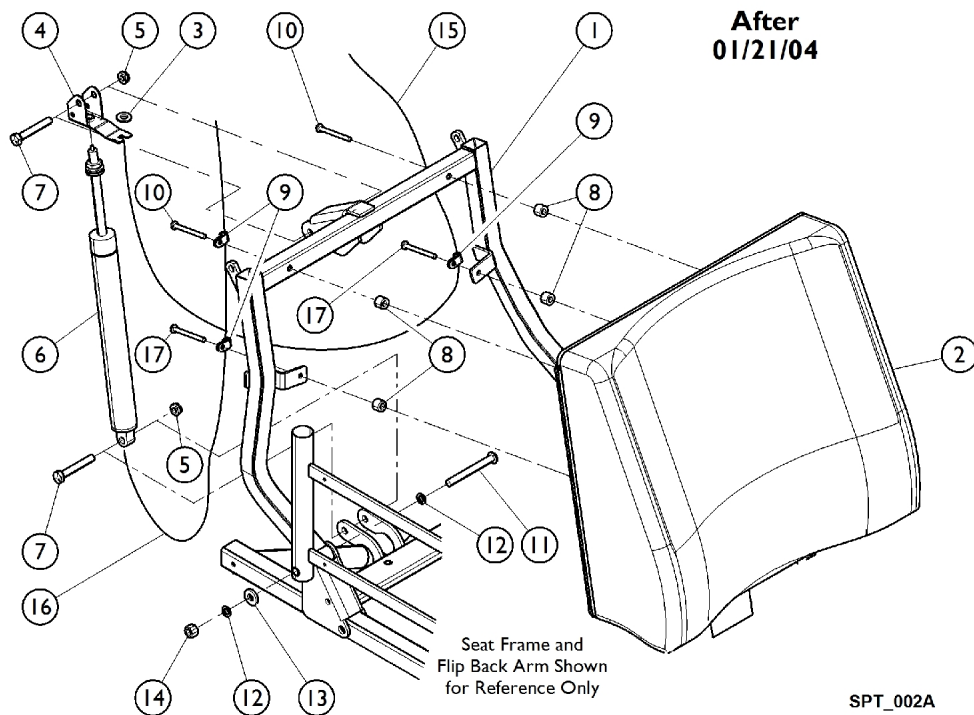
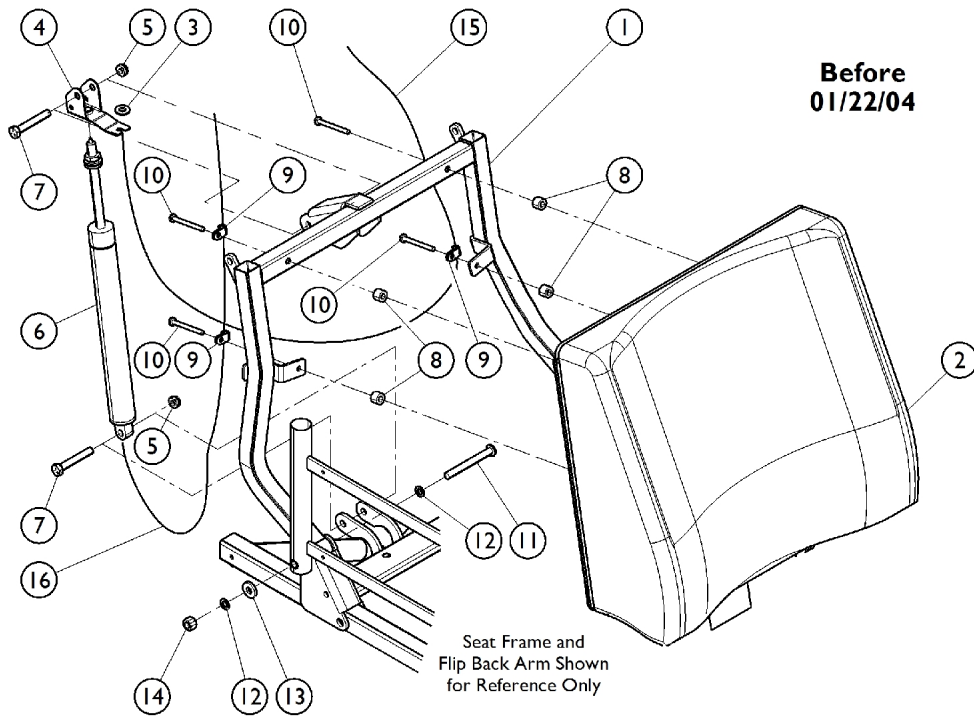
THE PRODUCTION OF THE HTR IS CURRENTLY SUSPENDED AND SOME SERVICE PARTS MAY NOT BE AVAILABLE TO ORDER.

Item Number	Note	Part Number	Description	Quantity Per	
				Package	Assembly
31		1088128	Guard, Finger, Tilt	1	2
	A,B	440569	Strut Assembly	1	1
	A,C	440575	Seat Base Assembly	1	1
	A,D	440580	Leg Adjuster Assembly (16")	1	1
	A,D	440581	Leg Adjuster Assembly (18")	1	1
	A,E	440564	Kit, Seat Frame Hardware	1	1
			NLA - Screw, Hex Head (5/16-18 x 1-1/2")	1	4
			Plug Button, Square, Black (1")	1	2
			Washer, Nylon (5/16 x 3/4 x 1/8")	1	8
			NLA - Locknut (5/16-18)	1	4
			Knob, Black	1	2
			Spring, Lift Pin	1	2
			Washer, Flat (5/16 x 11/16 x 1/16")	1	4
			Slide, Seat - Left	1	1
			Slide, Seat - Right	1	1
			Pin, Release	1	2
			Sleeve, Plastic	1	1
	A,F	440574	Kit, Contoured Seat Hardware	1	1
			NLA - Washer, Steel Flat (1/4 x 5/8 x 1/16")	1	4
			Screw, Hex Head (1/4-20 x 1")	1	4
<p>NOTE: A - Not Shown. B - Includes items 17-19, 22-25 and 27-28. C - Includes items 1-4. D - Includes items 6-7, 14 and 20-21. E - Kit Includes Items 7-10, 13, 15-16, 20-21 and 30. F - Kit Includes Items 11-12. G - Before 1/24/05. For use on chairs with "Chrome Frame Finish." H - After 1/23/05. For use on chairs with "Grey Frame Finish." J - No longer available as a service part. use 1047705 as the replacement part for this item.</p>					

Back Assembly

Lower Recline

THE PRODUCTION OF THE HTR IS CURRENTLY SUSPENDED AND SOME SERVICE PARTS MAY NOT BE AVAILABLE TO ORDER.



SPT_002A

Back Assembly Lower Recline

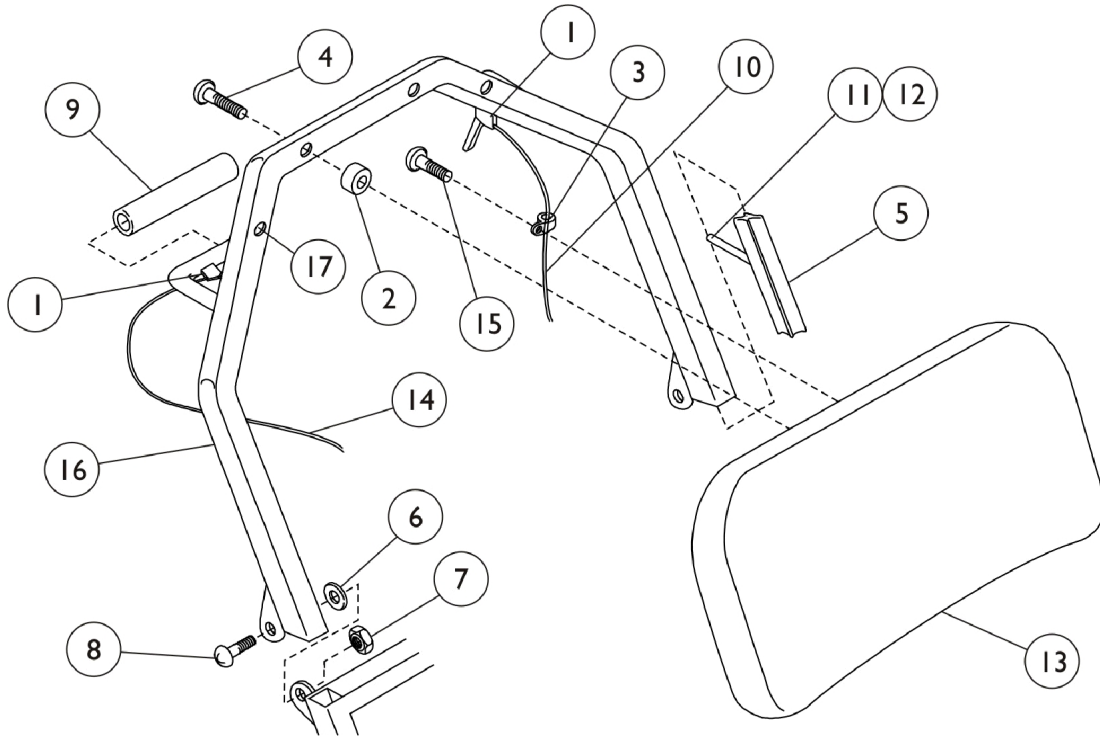
THE PRODUCTION OF THE HTR IS CURRENTLY SUSPENDED AND SOME SERVICE PARTS MAY NOT BE AVAILABLE TO ORDER.

Item Number	Note	Part Number	Description	Quantity Per		
				Package	Assembly	
1	F	440510-1-NLA	Frame, Lower Recline, Chrome (16")	1	1	
1	G	1129535-NLA	Frame, Lower Recline, Grey (16")	1	1	
1	F	440511-1-NLA	Frame, Lower Recline, Chrome (18")	1	1	
1	G	1129536-NLA	Frame, Lower Recline, Grey (18")	1	1	
2		450092-25-NLA	Cushion, Back, Lower, Mauve (16")	1	1	
2		450093-25-NLA	Cushion, Back, Lower, Mauve (18")	1	1	
2		450092-26-NLA	Cushion, Back, Lower, Grotto (16")	1	1	
2		450093-26-NLA	Cushion, Back, Lower, Grotto (18")	1	1	
2		450092-27-NLA	Cushion, Back, Lower, Blueberry (16")	1	1	
2		450093-27	Cushion, Back, Lower, Blueberry (18")	1	1	
3		B444-NLA	NLA - Spacer (5/16 x 7/16 x 3/4")	1	1	
4		TR432	Activator, Strut	1	1	
5		60290X002	Locknut (5/16-18)	1	2	
6		350022-NLA	NLA - Lock Cylinder	1	1	
6		1050154	Cylinder, Lock, Recline	1	1	
7	A,C,D	1108121-NLA	NLA - Screw, Hex Head (5/16-18 x 2")	1	2	
		440568	Kit, Contoured Back Hardware	1	1	
8				NLA - Spacer, Nylon (1/4 x 1/2 x 3/8")	1	8
9				NLA - Clamp, Nylon (1/4" Cable)	1	4
10				Screw, Slotted Socket Pan Head (#10-24 x 1-3/4")	1	8
11			1108127	Screw, Socket Button Head (5/16-18 x 2-3/4")	1	2
12			1108114	NLA - Washer, Nylon (5/16 x 1/2 x 1/16")	1	4
13			1108106	Washer, Nylon (5/16 x 3/4 x 1/8")	1	2
14			60290X002	Locknut (5/16-18)	1	2
15			350040-NLA	NLA - Cable, Recliner with Handle	1	1
16		350039-NLA	NLA - Cable, Tilt with Handle	1	1	
17	E	1108193-NLA	NLA - Screw, Phillips Pan Head (#10-24 x 3/4")	1	2	
	A,B	440570	Recline Strut Assembly	1	1	

NOTE: A - Not Shown.
 B - Includes Items 3 - 7, 12, and 15.
 C - Kit includes items 8, 9, and 10.
 D - Before 1/22/04. Requires (4) of Item 10 in order to complete the assembly.
 E - After 1/21/04. Requires (2) of item 10 and (2) Item 17 in order to complete the assembly.
 F - Before 1/24/05. For use on chairs with "Chrome Frame Finish."
 G - After 1/23/05. For use on chairs with "Grey Frame Finish."

Back Assembly Upper Recline

THE PRODUCTION OF THE HTR IS CURRENTLY SUSPENDED AND SOME SERVICE PARTS MAY NOT BE AVAILABLE TO ORDER.



Back Assembly Upper Recline

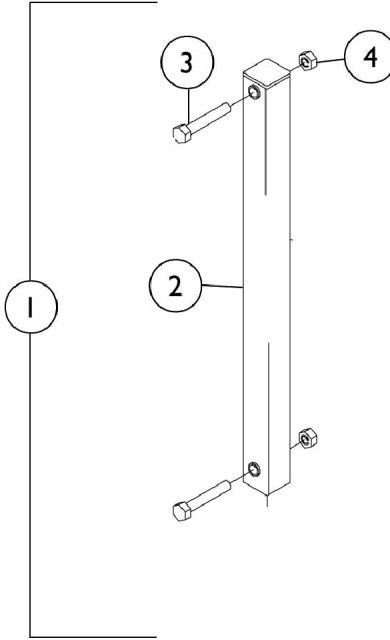
THE PRODUCTION OF THE HTR IS CURRENTLY SUSPENDED AND SOME SERVICE PARTS MAY NOT BE AVAILABLE TO ORDER.

Item Number	Note	Part Number	Description	Quantity Per	
				Package	Assembly
1	A,C	48127X002-NLA	NLA - Screw, Phillips Pan Head (#10-32 x 5/8")	1	2
		440568	Kit, Contoured Back Hardware	1	1
2			NLA - Spacer, Nylon (1/4 x 1/2 x 3/8")	1	8
3			NLA - Clamp, Nylon (1/4" Cable)	1	4
4	A,B	440567	Screw, Slotted Socket Pan Head (#10-24 x 1-3/4")	1	8
			Kit, Upper Recline Hardware	1	1
5			Bar, Sleeve	1	2
6			Washer, Flat (5/16 x 11/16 x 1/16")	1	2
7			Locknut (5/16-18)	1	2
8			NLA - Screw, Slotted Truss Head (5/16-18 x 3/4")	1	2
9			NLA - Grip, Foam Hand	1	2
			Adjustable Knob Assembly	1	2
10				350040-NLA	NLA - Cable, Recliner with Handle
11		1110576-NLA	NLA - Screw (1/4-20 x 1-3/4")	1	2
12		TR46B	Sleeve, Plastic	1	2
13		450090-25-NLA	Cushion, Back, Upper, Mauve (16")	1	1
13		450091-25-NLA	Cushion, Back, Upper, Mauve (18")	1	1
13		450090-26-NLA	Cushion, Back, Upper, Grotto (16")	1	1
13		450091-26-NLA	Cushion, Back, Upper, Grotto (18")	1	1
13		450090-27-NLA	Cushion, Back, Upper, Blueberry (16")	1	1
13		450091-27	Cushion, Back, Upper, Blueberry (18")	1	1
14		350039-NLA	NLA - Cable, Tilt with Handle	1	1
15	D	1108131-NLA	NLA - Screw, Phillips Pan Head (#10-24 x 1")	1	1
15		1108193-NLA	NLA - Screw, Phillips Pan Head (#10-24 x 3/4")	1	1
16	E	440507-1-NLA	Frame, Upper Recline, Chrome (16")	1	1
16	F	1129534-NLA	Frame, Upper Recline, Grey (16")	1	1
16	E	440534-1-NLA	Frame, Upper Recline - Chrome (18")	1	1
16	F	1129538-NLA	Frame, Upper Recline, Grey (18")	1	1
17		1027095	Plug Button, Black (7/8")	1	2

NOTE: A - Not Shown.
B - Kit Includes Items 5-9 and Adjustable Knob Assembly Not Shown.
C - Kit Includes Items 2-4.
D - Item no longer available, refer to Part #1108193.
E - Before 1/24/05. For use on chairs with "Chrome Frame Finish."
F - After 1/23/05. For use on chairs with "Grey Frame Finish."

Omit Recline Tube

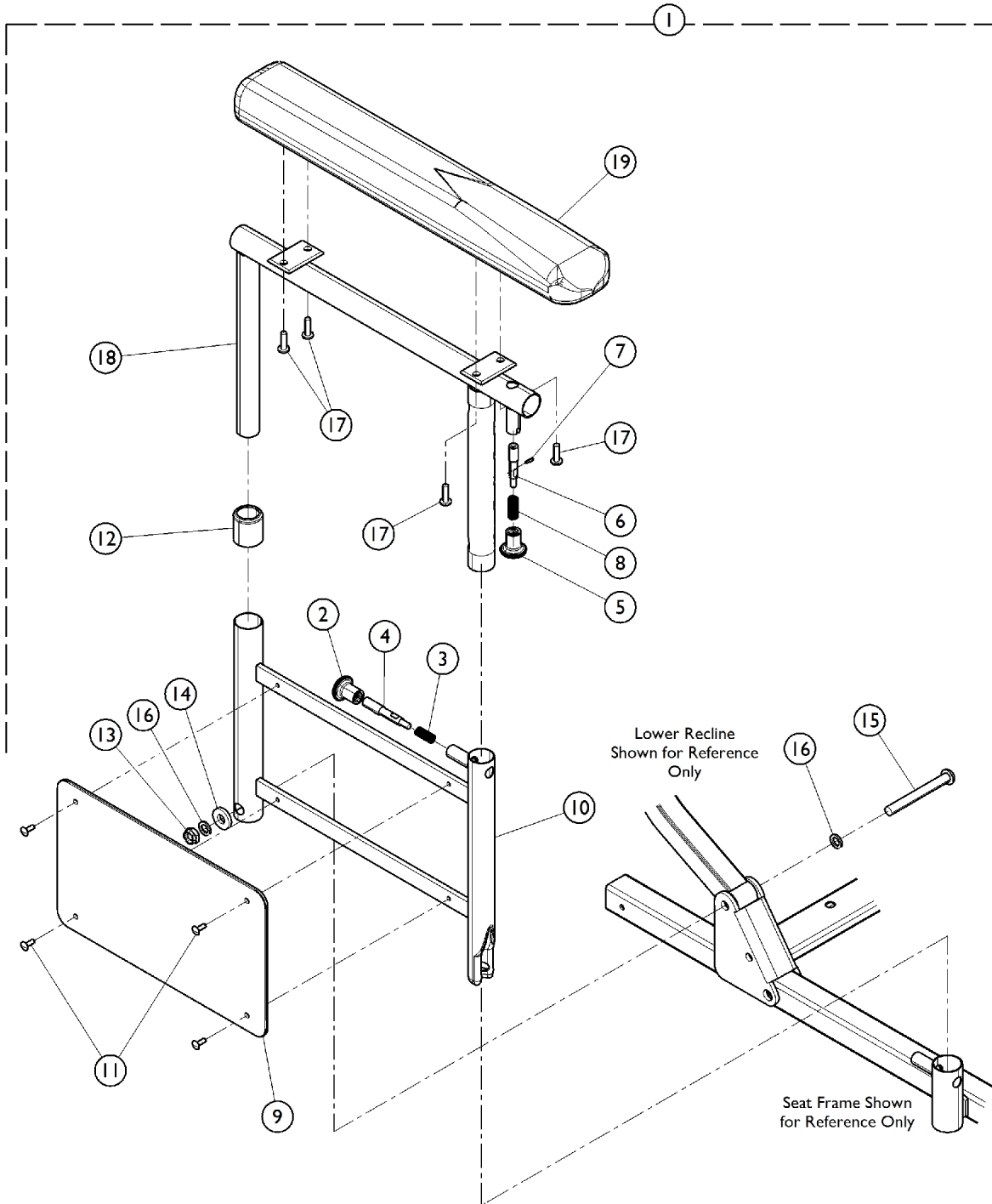
THE PRODUCTION OF THE HTR IS CURRENTLY SUSPENDED AND SOME SERVICE PARTS MAY NOT BE AVAILABLE TO ORDER.



Item Number	Note	Part Number	Description	Quantity Per	
				Package	Assembly
1	A	440583-NLA	NLA - Omit Recline Tube Assembly - Chrome	1	1
1	B	1129599-NLA	Omit Recline Tube Assembly - Grey	1	1
2	A	440578-NLA	NLA - Tube, Omit Recline, Chrome	1	1
2	B	1129541-NLA	Tube, Omit Recline, Grey	1	1
3		1108121-NLA	NLA - Screw, Hex Head (5/16-18 x 2")	1	2
4		60290X002	Locknut (5/16-18)	1	2
NOTE: A - Before 1/24/05. For use on chairs with "Chrome Frame Finish." B - After 1/23/05. For use on chairs with "Grey Frame Finish."					

Arms

NOTE: Due to a design change, when ordering item #19 Adjustable Height Arm Tubes for models manufactured before 4/13/00, the Lap Tray should also be replaced. THE PRODUCTION OF THE HTR IS CURRENTLY SUSPENDED AND SOME SERVICE PARTS MAY NOT BE AVAILABLE TO ORDER.



SPT_003A

Arms

NOTE: Due to a design change, when ordering item #19 Adjustable Height Arm Tubes for models manufactured before 4/13/00, the Lap Tray should also be replaced. THE PRODUCTION OF THE HTR IS CURRENTLY SUSPENDED AND SOME SERVICE PARTS MAY NOT BE AVAILABLE TO ORDER.

Item Number	Note	Part Number	Description	Quantity Per	
				Package	Assembly
1	A,F	440520	Arm Assembly, Chrome - Right	1	1
1	A,F	440521	Arm Assembly, Chrome - Left	1	1
1	A,G	1129596-NLA	NLA - Arm Assembly, Grey - Right	1	1
1	A,G	1129597-NLA	NLA - Arm Assembly, Grey - Left	1	1
	B,J	ALK	Kit, Arm Lock	1	1
2			Knob, Black	1	1
3			Spring, Lift Pin	1	1
4			NLA - Pin, Lift	1	1
	C,J	ALF	Kit, Lock	1	1
5			Knob, Black	1	1
6			Pin, Release	1	1
7			Pin, Spring	1	1
8			Spring, Lift Pin	1	1
	E,G,J	1129593	Kit, Arm Base, Grey - Right	1	1
	E,F,J	400124	Kit, Arm Base Chrome - Right	1	1
2			Knob, Black	1	1
3			Spring, Lift Pin	1	1
4			NLA - Pin, Lift	1	1
9			NLA - Guard, Clothing	1	1
10			Arm Base, Chrome	1	1
11			NLA - Rivet, Oval Head (9/64 x 13/32")	1	4
12			NLA - Anti-Rattle (3/4")	1	1
	E,G,J	1129594	Kit, Arm Base, Grey - Left	1	1
	E,F,J	400125	Kit, Arm Base Chrome - Left	1	1
2			Knob, Black	1	1
3			Spring, Lift Pin	1	1
4			NLA - Pin, Lift	1	1
9			NLA - Guard, Clothing	1	1
10			Arm Base, Chrome	1	1
11			NLA - Rivet, Oval Head (9/64 x 13/32")	1	4
12			NLA - Anti-Rattle (3/4")	1	1
13	H	60290X002	Locknut (5/16-18)	1	1
14	H	1108106	Washer, Nylon (5/16 x 3/4 x 1/8")	1	1
15	H	1108127	Screw, Socket Button Head (5/16-18 x 2-3/4")	1	1
16	H	1108114-NLA	NLA - Washer, Nylon (5/16 x 1/2 x 1/16")	1	2
17		48127X002-NLA	NLA - Screw, Phillips Pan Head (#10-32 x 5/8")	1	4
18	F	1088062	Tube, Arm, Adjustable Height, Chrome - Right	1	1
18	F	1088063	Tube, Arm, Adjustable Height, Chrome - Left	1	1
18	G	1129517-NLA	Tube, Arm, Adjustable Height, Grey - Right	1	1
18	G	1129518-NLA	Tube, Arm, Adjustable Height, Grey - Left	1	1
19		350041-NLA	NLA - Pad, Arm, Molded	1	1
	J	Label-HTR	Label, HTR	1	1

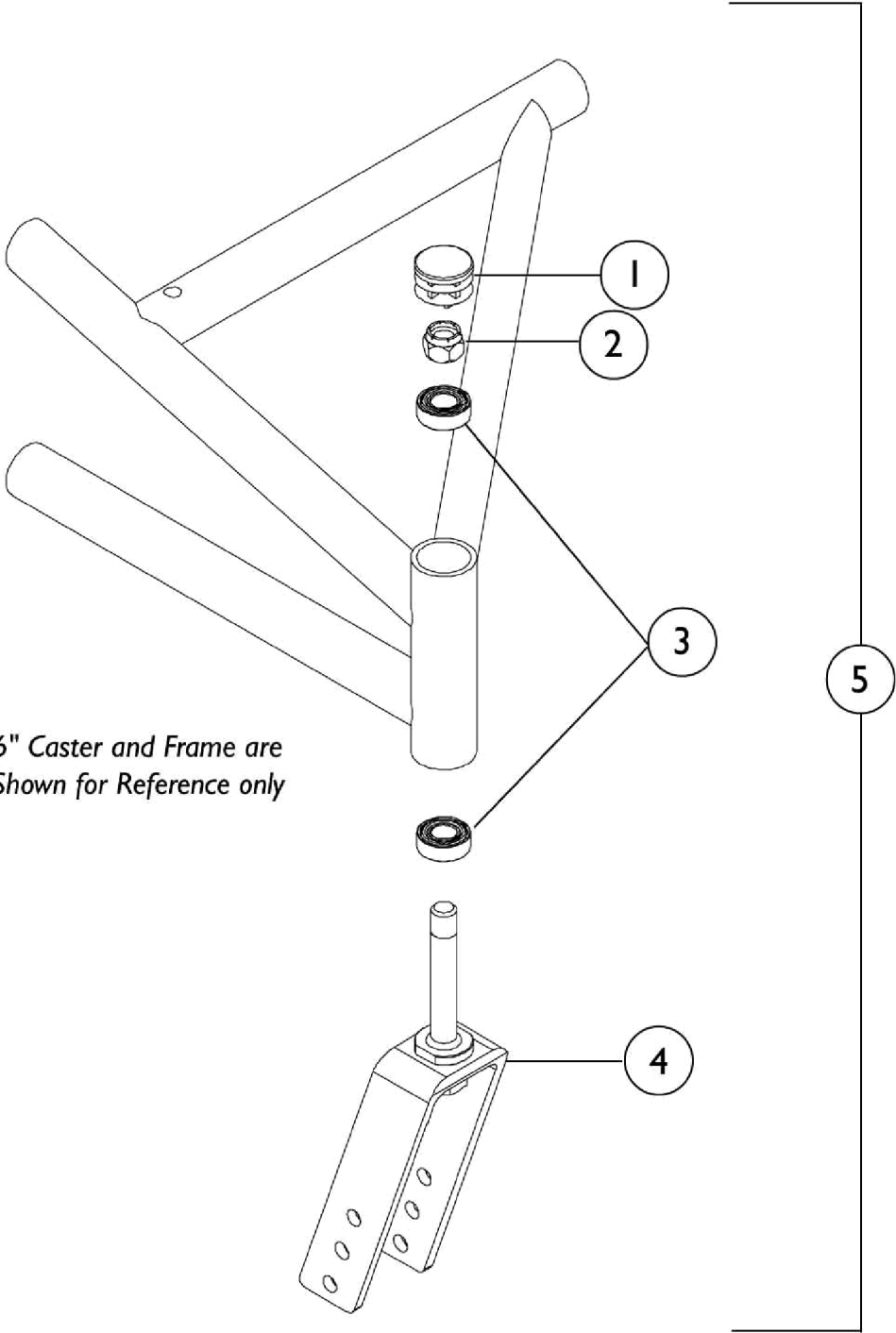
Arms

NOTE: Due to a design change, when ordering item #19 Adjustable Height Arm Tubes for models manufactured before 4/13/00, the Lap Tray should also be replaced. THE PRODUCTION OF THE HTR IS CURRENTLY SUSPENDED AND SOME SERVICE PARTS MAY NOT BE AVAILABLE TO ORDER.

NOTE: A - Includes items 2 - 19.
B - Kit Includes Items 2 - 4.
C - Kit Includes Items 5 - 8.
E - Includes items 2, 3, 4, 9, 10, 11, and 12.
F - Before 1/24/05. For use on chairs with "Chrome Frame Finish."
G - After 1/23/05. For use on chairs with "Grey Frame Finish."
H - After 4/13/09.
J - Not Shown in illustration.

Forks & Hardware

THE PRODUCTION OF THE HTR IS CURRENTLY SUSPENDED AND SOME SERVICE PARTS MAY NOT BE AVAILABLE TO ORDER.



*6" Caster and Frame are
Shown for Reference only*

Forks & Hardware

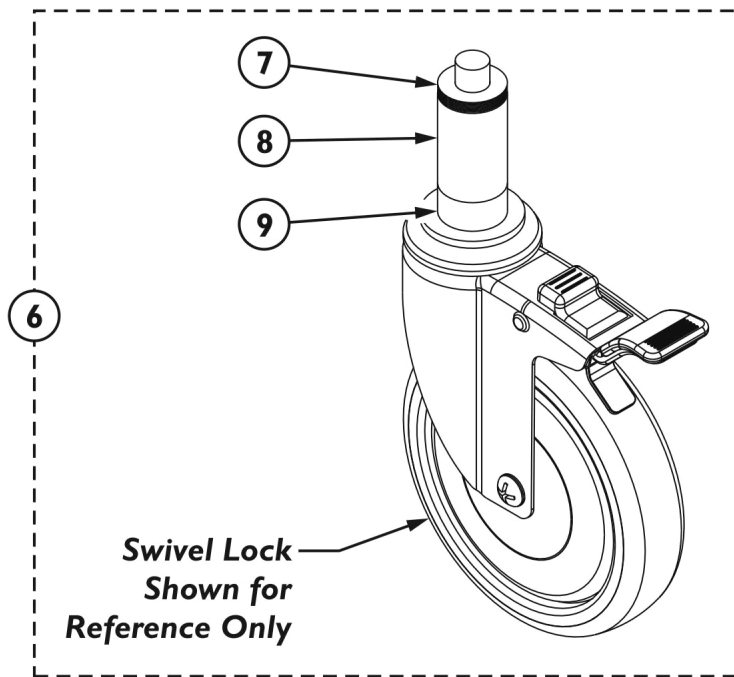
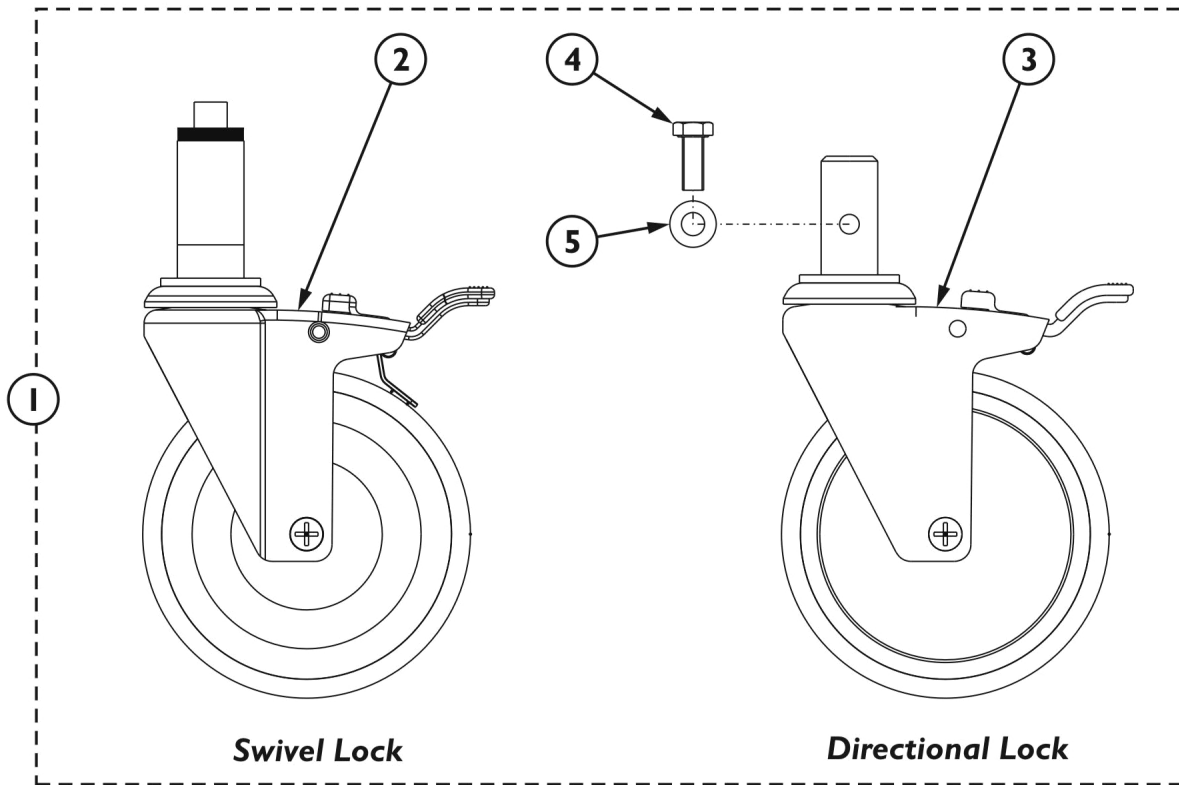
THE PRODUCTION OF THE HTR IS CURRENTLY SUSPENDED AND SOME SERVICE PARTS MAY NOT BE AVAILABLE TO ORDER.

Item Number	Note	Part Number	Description	Quantity Per	
				Package	Assembly
1	A	1096414-NLA	NLA - Cap, End, Black Plastic	1	1
2		1045608	Locknut (7/16-20)	1	1
3		1006049	Bearing (7/16")	1	2
4		1046811	Fork, 8" Caster (7/16" Stem)	1	1
4		1019972	Fork, 6" Caster (7/16" Stem)	1	1
5	B	430053-NLA	NLA - Fork Assembly (8" Caster)	1	1
5	B	1088016	Fork Assembly (6" Caster)	1	1

NOTE: A - As of 8/22/00, End Cap changed from Nickel Plated to Black Plastic.
 B - Includes items 1-4.

Casters - 5"

THE PRODUCTION OF THE HTR IS CURRENTLY SUSPENDED AND SOME SERVICE PARTS MAY NOT BE AVAILABLE TO ORDER.



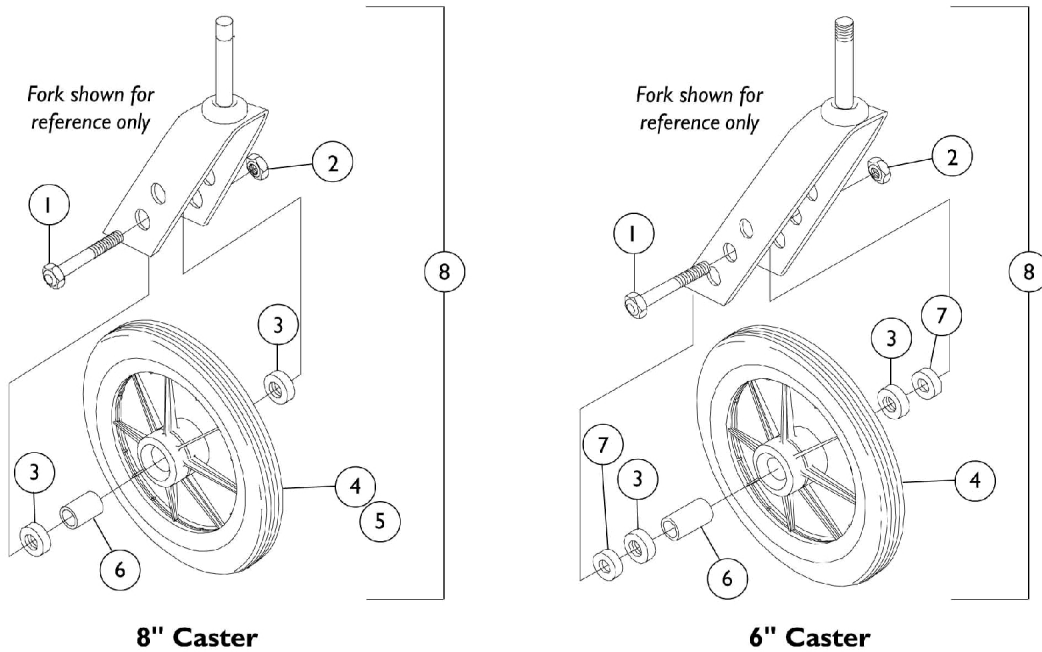
Casters - 5"

THE PRODUCTION OF THE HTR IS CURRENTLY SUSPENDED AND SOME SERVICE PARTS MAY NOT BE AVAILABLE TO ORDER.

Item Number	Note	Part Number	Description	Quantity Per	
				Package	Assembly
1	A	1140793-NLA	NLA - Kit, Wheel - HTR3000	1	1
2			Caster Assembly, Swivel Lock (5")	3	1
3			Caster Assembly, Directional Lock (5")	1	1
4			Screw (M8 x 1.25 x 20mm)	1	1
5			Washer, Flat (5/16 x 11/16 x 1/16")	1	1
6	B	1081492	Kit, Adapter, 3/4 HTR, 5" Caster	1	1
NOTE: A - Kit includes Items 2 thru 5. B - Kit includes Item 7 (Knurled Nut), Item 8 (Sleeve), and Item 9 (Nylon Spacer). Items 7, 8, and 9 come standard with the Swivel Lock Caster shown in Item 1 (1140793) and are not individually resalable.					

Casters - 6" and 8"

THE PRODUCTION OF THE HTR IS CURRENTLY SUSPENDED AND SOME SERVICE PARTS MAY NOT BE AVAILABLE TO ORDER.



8" Caster

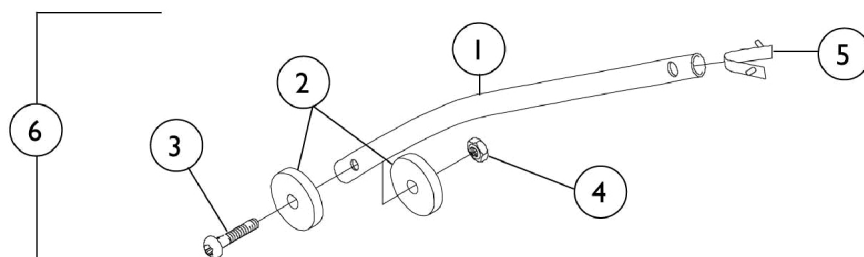
6" Caster

Item Number	Note	Part Number	Description	Quantity Per	
				Package	Assembly
1	C	57667P007	Screw, Hex Head (7/16-20 x 3-1/4")	1	1
1	D	7930362	Package, Screw, Hex Head (5/16-24 x 2-1/4")	25	1
2	C	1045608	Locknut (7/16-20)	1	1
2	D	7930363-NLA	NLA - Package, Locknut (5/16"-24)	25	1
3	C	1010810	Bearing, Flange (7/16")	1	2
3	D	40117X026	Bearing, Flange (5/16")	1	2
4	B	1058648	Wheel Assembly, Composite Solid Rubber (8" x 1")	1	1
4	A,B	1026956	Wheel Assembly, Composite Urethane, Light Grey (6" x 1")	1	1
5		1040144	Tire, Composite Solid Rubber, Grey (8" x 1")	1	1
6	C	1017828	Spacer (7/16 x 15/32 x 1-5/8")	1	1
6	D	1026172	Spacer (5/16 x 7/16 x 15/32")	1	1
7		1053202	Spacer (5/16 x 7/16 x 1/4")	1	2
8	C	430054	Kit, Wheel with Hardware (8" x 1") (Pair)	2	1
8	D	1088017	Kit, Wheel with Hardware (6" x 1")	1	1

NOTE: A - Tire is molded to the wheel, it is not sold separately.
 B - Includes: Wheel, Tire and Bearings.
 C - Used for 8" Caster.
 D - Used for 6" Caster.

Rear Anti-Tipper

THE PRODUCTION OF THE HTR IS CURRENTLY SUSPENDED AND SOME SERVICE PARTS MAY NOT BE AVAILABLE TO ORDER.



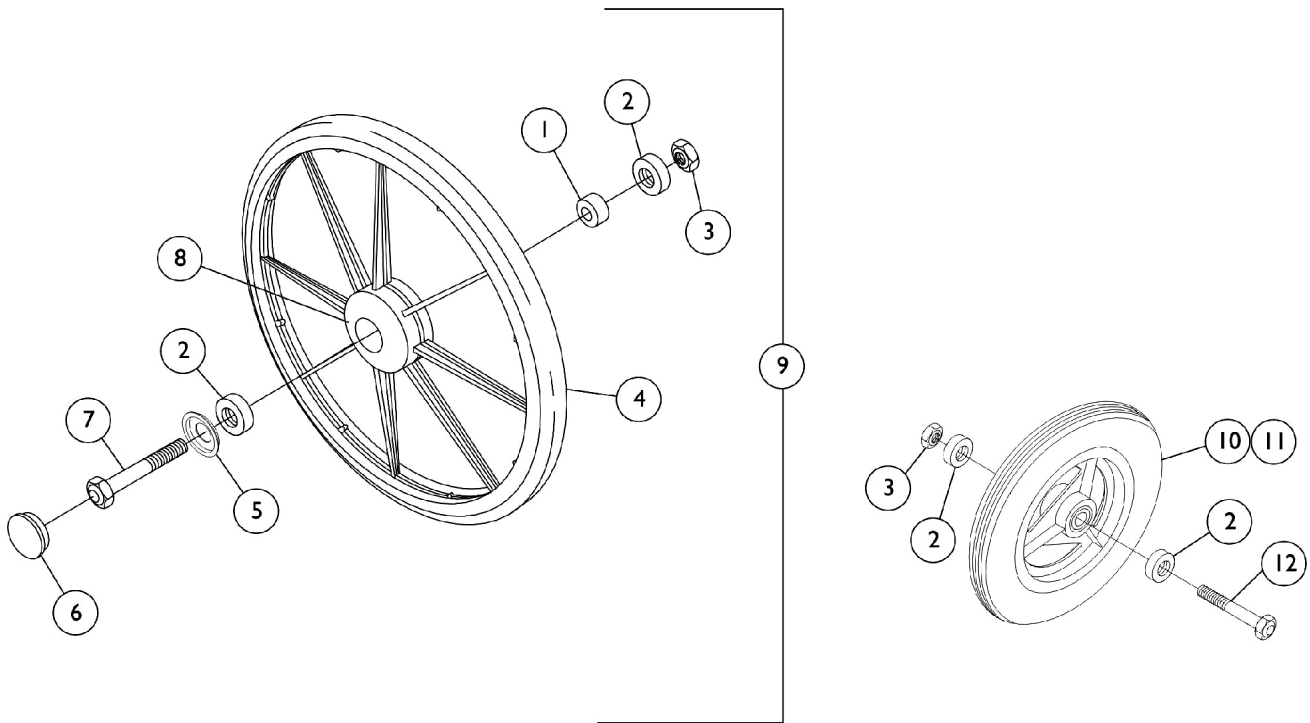
Item Number	Note	Part Number	Description	Quantity Per	
				Package	Assembly
1	E	1088040	Tube, Anti-Tip, Chrome (20" Wheel)	1	1
1	F	1129508-NLA	Tube, Anti-Tip, Grey (20" Wheel)	1	1
1	E	4600581-NLA	NLA - Tube, Anti-Tip, Chrome (12" Wheel)	1	1
1	F	1129513-NLA	Tube, Anti-Tip, Grey (12 - 24" Wheel)	1	1
2		361552-NLA	NLA - Wheel, Anti-Tipper Roller	1	2
3		1108128	Screw, Socket Button Head (1/4-20 x 1-1/2")	1	1
4		60275X000	Locknut (1/4-20)	1	1
5		1108118-NLA	NLA - Button, Snap, Double Ended	1	1
6	E,A,B	440565	Anti-Tipper, Chrome (24" Wheel) (Pair)	2	1
6	F,A,B	1129598-NLA	Anti-Tipper, Grey (24" Wheel) (Pair)	2	1
6	C,E,A	1088041	Anit-Tipper, Chrome (20" Wheel) (Pair)	2	1
6	C,F,A	1129509-NLA	Anti-Tipper, Grey (20" Wheel) (Pair)	2	1
6	D,E,A	440573-NLA	NLA - Anti-Tipper, Chrome (12" Wheel) (Pair)	2	1
6	D,F,A	1131377-NLA	NLA - Anti-Tipper, Grey (12" Wheel) (Pair)	2	1

NOTE: A - Includes Items 1-5.
 B - 24" Rear Wheel.
 C - 20" Rear Wheel.
 D - 12" Rear Wheel.
 E - Before 1/24/05. For use on chairs with "Chrome Frame Finish."
 F - After 1/23/05. For use on chairs with "Grey Frame Finish."

Wheels & Hardware

12", 20" and 24"

When ordering 12" wheels to replace 24" wheels, the appropriate Wheel Locks and Anti-Tippers are also required. THE PRODUCTION OF THE HTR IS CURRENTLY SUSPENDED AND SOME SERVICE PARTS MAY NOT BE AVAILABLE TO ORDER.



Wheels & Hardware

12", 20" and 24"

When ordering 12" wheels to replace 24" wheels, the appropriate Wheel Locks and Anti-Tippers are also required. THE PRODUCTION OF THE HTR IS CURRENTLY SUSPENDED AND SOME SERVICE PARTS MAY NOT BE AVAILABLE TO ORDER.

Item Number	Note	Part Number	Description	Quantity Per	
				Package	Assembly
1	D	1019695-NLA	NLA - Bearing, Spacer (5/8 x 3/4 x 1-9/32")	1	1
1	C	1015756	Bearing, Spacer (1/2 x 21/32 x 1-9/32")	1	1
2		40117X024	Bearing (7/16" I.D. x 1-3/8" O.D.)	1	2
3		1045608	Locknut (7/16-20)	1	1
4	F,I,A	40177X001-NLA	NLA - Tire, Urethane, Grey (24" x 7/8")	1	1
4		1123875-NLA	NLA - Kit, Tire, Urethane, Dark Grey (24" x 1") (Pair)	2	1
4	I	1039304	Tire, Urethane, Dark Grey (24" x 1")	1	1
4	B,O	1080400	Tire, Urethane, Dark Grey (24" x 1")	1	1
4	P	1118209	Tire, Corded Urethane, Dark Grey (24 x 1")	1	1
4		1037774	Tire, Urethane, Dark Grey (20" x 1-1/4")	1	1
5	B	1016289	Washer, Caplugs (15/32" I.D. x 1-3/32" O.D.)	1	1
6	A	1027600-NLA	NLA - Cap, Black	1	1
6	B	1016291	Cap, Hub, Black	1	1
7		47203X029	Screw, Hex Head (7/16-20 x 4-1/2")	1	1
8	E,K,A	1025122-NLA	NLA - Wheel Assembly, Composite, DTM Tire (24")	1	1
8	E,G,H, B	1080378	Wheel Assembly, Composite, Urethane (24")	1	1
8	E,J	1122726	Wheel Assembly, Composite, Corded Urethane (24")	1	1
8	E	1123880	Kit, Wheel Assembly, Composite, Corded Urethane (24") (Pair)	2	1
8	E	1038555	Wheel Assembly, Composite, Urethane (20")	1	1
9	L,M	430055-NLA	NLA - Kit, Wheel Assembly w/ Hardware, Composite, Urethane (24") (Pair)	2	1
9	L	1088013	Kit, Wheel Assembly w/ Hardware, Composite, Urethane (20") (Pair)	2	1
10	N	1027177-NLA	NLA - Wheel Assembly, Pneumatic w/ Flat Free Insert (12-1/2 x 2-1/4")	1	1
11		1027176	Insert, Flat Free (12" Wheel)	1	1
12		47203X025	Bolt, Hex Head Cap (7/16-20 x 4-3/4")	1	1

Wheels & Hardware

12", 20" and 24"

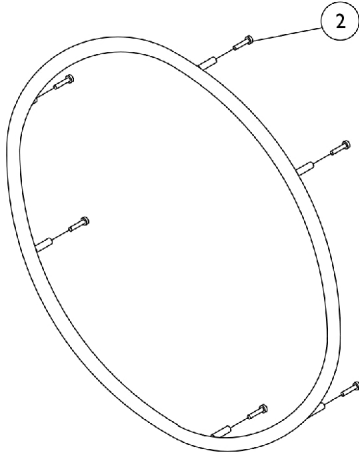
When ordering 12" wheels to replace 24" wheels, the appropriate Wheel Locks and Anti-Tippers are also required. THE PRODUCTION OF THE HTR IS CURRENTLY SUSPENDED AND SOME SERVICE PARTS MAY NOT BE AVAILABLE TO ORDER.

NOTE: A - Before 1/20/00.
B - After 1/19/00.
C - Used on 20" Wheel.
D - Used on 24" Wheel.
E - Includes items 1, 2, Wheel and Tire.
F - Replace with Part #1039304
G - Replaces part #1025122. Includes the Wheel, Tire, Bearings and Bearing Spacer
H - Non-Corded Tire was replaced with a Corded Tire as of 11/16/09. refer to part #1122726 for a wheel assembly. For chairs manufactured before 11/16/09, order kit part #1123880 that has (2) each in quantity of part #1122726.
I - When replacing old style Part #40177X001, it is recommended that you replace in pairs, refer to Kit Part #1123875 due to style change. Kit includes (2) in quantity of part #1039304
J - Part #1122726 Wheel Assembly with Corded Tire replaced part #1080378 Wheel Assembly with Non-Corded Tire 11/16/09. For Chairs manufactured before 11/16/09, it is recommended to order in pairs, refer to Kit part #1123880.
K - Replace with part #1080378, it is recommended that you order in pairs, refer to Kit part #1123880 due to style change.
L - Includes items 1-8
M - The current wheel assembly being used within kit part #430055 as of 11/16/09 is part #1122726 that includes the wheel, tire, bearings and bearing spacer.
N - Includes item 2, Wheel, Tire and Flat Free Insert
O - Non-Corded Tire part #1080400 was replaced with a Corded Tire part #1118209 as of 11/16/09. It is recommended to order (2) each in quantity to match.
P - Corded Tires maybe more difficult to stretch over the wheel rim. The complete wheel assembly part # 1122726 maybe advisable. The Tire and Wheel are preassembled.

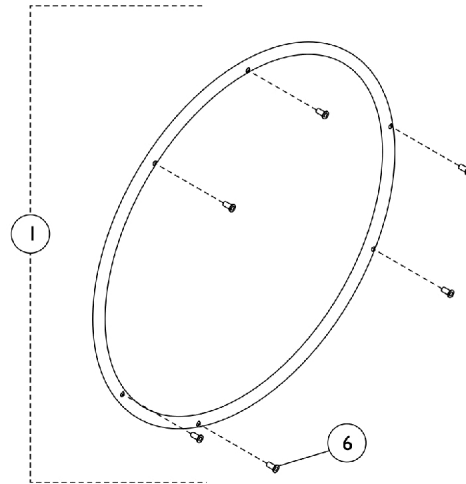
Handrim

20" & 24" Wheel Only

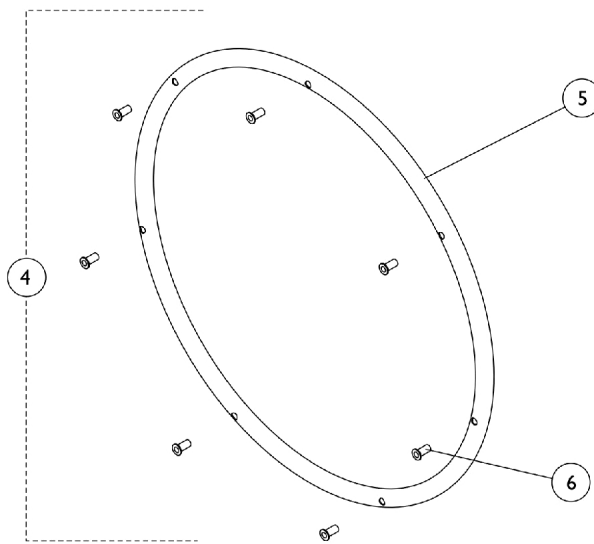
THE PRODUCTION OF THE HTR IS CURRENTLY SUSPENDED AND SOME SERVICE PARTS MAY NOT BE AVAILABLE TO ORDER.



For use with 24" Handrim with Welded Studs.



For use with 24" Handrim without Welded Studs.



For use with 20" Handrim.

Handrim

20" & 24" Wheel Only

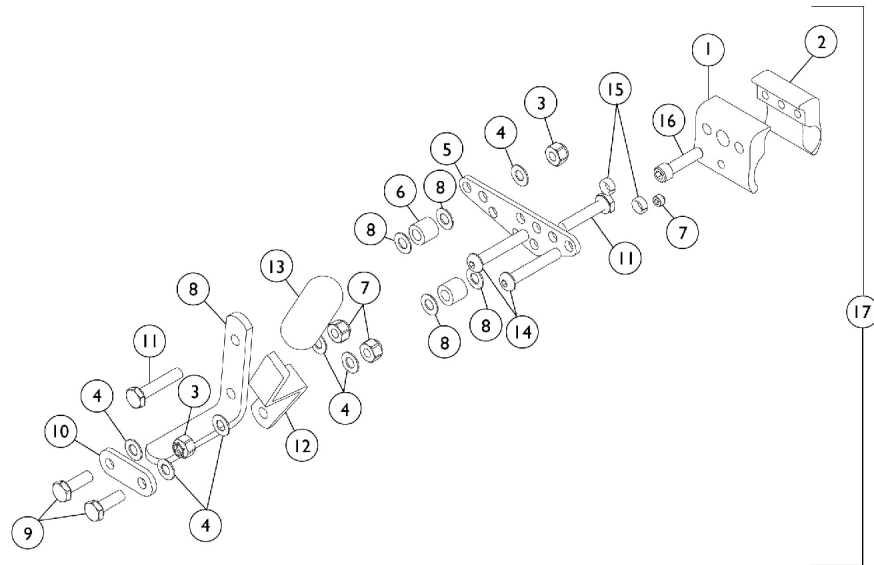
THE PRODUCTION OF THE HTR IS CURRENTLY SUSPENDED AND SOME SERVICE PARTS MAY NOT BE AVAILABLE TO ORDER.

Item Number	Note	Part Number	Description	Quantity Per	
				Package	Assembly
1	H,I	1027413-NLA	NLA - Handrim, Chrome, 6 PT (24" Wheel)	1	1
1		1125209-NLA	NLA - Handrim, Steel, 6 PT, Grey (24" Wheel)	1	1
2	D,J	1026750-NLA	NLA - Screw w/ Washer (#10-32 x 7/8")	1	6
2		1007375	Screw, Phillips Pan Head w/ Patch (#10-32 x 1-3/4")	1	6
3	A,B,F	430056	Handrims with Hardware, Chrome, 12 PT (24" Wheel)	2	1
3	G	1125211-NLA	NLA - Handrims with Hardware, Steel, 6 PT, Grey (24" Wheel)	2	1
4	E,F	430051-NLA	NLA - Handrims with Hardware, Chrome, 7 PT (20" Wheel)	2	1
4	E,G	1125213-NLA	Handrims with Hardware, Steel, 7 PT, Grey (20" Wheel)	2	1
5	F	1019999	Handrim, Chrome, 7 PT (20" Wheel)	1	1
5	G	1125212-NLA	Handrim, Steel, 7 PT, Grey (20" Wheel)	1	1
6	C	1007375	Screw, Phillips Pan Head w/ Patch (#10-32 x 1-3/4")	1	7
7	A,C	1016438	Spacer (1/4 x 11/32 x 15/16")	1	7

NOTE: A - Not Shown.
 B - Includes (2) Chrome Handrims, (12) Screws item #6 and (12) Spacers item #7.
 C - 20" Wheel Only.
 D - For use with 24" Wheel with Welded Stud Only.
 E - Includes items 5 and 6.
 F - Before 1/24/05. For use on chairs with "Chrome Frame Finish."
 G - After 1/23/05. For use on chairs with "Grey Frame Finish."
 H - Includes (1) Chrome Handrim and (6) Rivet Nuts.
 I - Use with 24" Handrim without Welded Stud.
 J - No Longer Available, Replace with 1007375.

Wheel Lock - 12" Wheels

THE PRODUCTION OF THE HTR IS CURRENTLY SUSPENDED AND SOME SERVICE PARTS MAY NOT BE AVAILABLE TO ORDER.



Wheel Lock - 12" Wheels

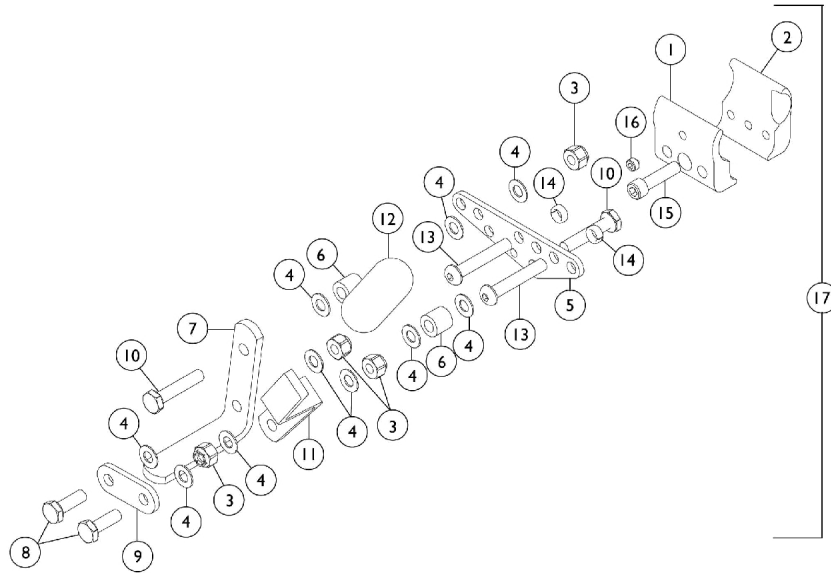
THE PRODUCTION OF THE HTR IS CURRENTLY SUSPENDED AND SOME SERVICE PARTS MAY NOT BE AVAILABLE TO ORDER.

Item Number	Note	Part Number	Description	Quantity Per	
				Package	Assembly
1		1072398-NLA	NLA - Clamp, Non-threaded	1	1
2		1108197-NLA	Clamp, Threaded - Right	1	1
2		1108198	Clamp, Threaded - Left	1	1
3		1025736	Locknut (1/4-20)	1	1
4		1026103-NLA	NLA - Washer, Nylon (1/4 x 1/2 x 1/32")	1	4
5		1072394-NLA	NLA - Plate	1	10
6		1026105-NLA	NLA - Spacer, Nylon (1/4 x 7/16 x 1/8")	1	2
7		1101207-NLA	NLA - Screw, Set Socket Cone Point (1/4-20 x 1/4")	1	1
8		440585	Shoe	1	2
9		1025708-NLA	NLA - Bolt, Hex Head Cap (1/4-20 x 3/4")	1	1
10		440586	Link	1	2
11		1025713-NLA	NLA - Screw, Hex Head (1/4-20 x 1")	1	2
12		BM42	Handle, Black	1	2
13		B412M-NLA	NLA - Handle, Tip, Black	1	1
13		47376X024	Tip, Rubber Wheel Lock Handle, Black	1	1
14		1008495	Screw, Socket Button Head (1/4-20 x 1-1/2")	1	1
15		1108159-NLA	NLA - Spacer (1/4 x 3/8 x 5/32")	1	2
16		1027268	Screw, Allen Head (1/4-20 x 1")	1	2
17	B	1109171-NLA	Kit, Wheel Lock (12")	1	1
			NLA - Wheel Lock Assembly - Right	1	1
			NLA - Wheel Lock Assembly - Left	1	1
			NLA - Instruction Sheet	1	1
17		1108174-NLA	NLA - Wheel Lock Assembly - Right	1	1
17		1108175-NLA	NLA - Wheel Lock Assembly - Left	1	1
	A,C	1106657	NLA - Instruction Sheet	1	1

NOTE: A - Not Shown.
 B - Kit Includes Right and Left Wheel Lock Assembly and Instruction Sheet.
 C - Item is no longer available from the Invacare Service Parts Department. Refer to the Invacare Website under "Product Literature Search". Enter the part number in the "Keywords" field and download a free PDF version copy.

Wheel Lock - 20" Wheels

THE PRODUCTION OF THE HTR IS CURRENTLY SUSPENDED AND SOME SERVICE PARTS MAY NOT BE AVAILABLE TO ORDER.



Wheel Lock - 20" Wheels

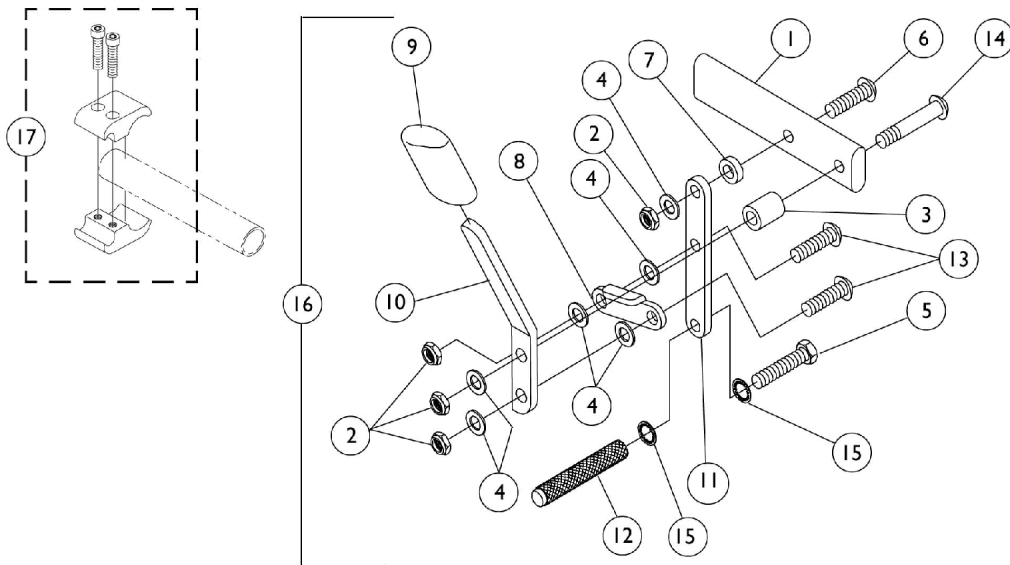
THE PRODUCTION OF THE HTR IS CURRENTLY SUSPENDED AND SOME SERVICE PARTS MAY NOT BE AVAILABLE TO ORDER.

Item Number	Note	Part Number	Description	Quantity Per	
				Package	Assembly
1		1072398-NLA	NLA - Clamp, Non-threaded	1	1
2		1108197-NLA	Clamp, Threaded - Right	1	1
2		1108198	Clamp, Threaded - Left	1	1
3		1025736	Locknut (1/4-20)	1	4
4		1026103-NLA	NLA - Washer, Nylon (1/4 x 1/2 x 1/32")	1	10
5		1072394-NLA	NLA - Plate	1	1
6		1057946-NLA	NLA - Spacer (17/64 x 31/64 x 7/16")	1	2
7		440585	Shoe	1	1
8		1025708-NLA	NLA - Bolt, Hex Head Cap (1/4-20 x 3/4")	1	2
9		440586	Link	1	1
10		1021406	Screw, Hex Head (1/4-20 x 1-1/4")	1	2
11		BM42	Handle, Black	1	1
12		B412M-NLA	NLA - Handle, Tip, Black	1	1
12		47376X024	Tip, Rubber Wheel Lock Handle, Black	1	1
13		1008495	Screw, Socket Button Head (1/4-20 x 1-1/2")	1	2
14		1108159-NLA	NLA - Spacer (1/4 x 3/8 x 5/32")	1	2
15		1027268	Screw, Allen Head (1/4-20 x 1")	1	1
16		1101207-NLA	NLA - Screw, Set Socket Cone Point (1/4-20 x 1/4")	1	1
17	B	1109172	Kit, Wheel Lock (20")	1	1
			Wheel Lock Assembly - Right	1	1
			Wheel Lock Assembly - Left	1	1
			NLA - Instruction Sheet	1	1
17		1108170-NLA	Wheel Lock Assembly - Right	1	1
17		1108171-NLA	Wheel Lock Assembly - Left	1	1
	A,C	1106657	NLA - Instruction Sheet	1	1

NOTE: A - Not Shown.
 B - Kit Includes Right and Left Wheel Lock Assembly and Instruction Sheet.
 C - Item is no longer available from the Invacare Service Parts Department. Refer to the Invacare Website under "Product Literature Search". Enter the part number in the "Keywords" field and download a free PDF version copy.

Wheel Lock - 24" Wheel (Before 2/98)

THE PRODUCTION OF THE HTR IS CURRENTLY SUSPENDED AND SOME SERVICE PARTS MAY NOT BE AVAILABLE TO ORDER.



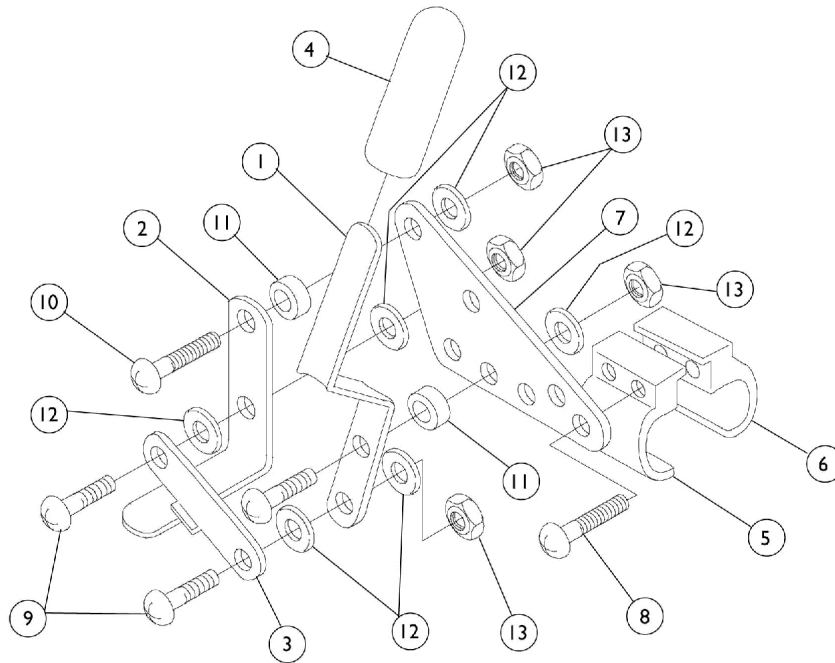
Wheel Lock - 24" Wheel (Before 2/98)

THE PRODUCTION OF THE HTR IS CURRENTLY SUSPENDED AND SOME SERVICE PARTS MAY NOT BE AVAILABLE TO ORDER.

Item Number	Note	Part Number	Description	Quantity Per	
				Package	Assembly
1		1028399-NLA	NLA - Strap, Wheel Lock	1	1
2		7930334-NLA	NLA - Locknut (1/4-28)	25	1
3		1020363-NLA	NLA - Spacer (1/4 x 1/2 x 1/2")	1	1
4		1026103-NLA	NLA - Washer, Nylon (1/4 x 1/2 x 1/32")	1	6
5		1055346-NLA	NLA - Screw, Hex Head (1/4-28 x 3/4")	1	1
6		1055306-NLA	NLA - Screw, Button Head Cap (1/4-28 x 7/8")	1	1
7		1028411-NLA	NLA - Spacer (1/4 x 1/2 x 5/32")	1	1
8		1018733-NLA	NLA - Link, Stop, Black	1	1
9		1006490-NLA	NLA - Tip, Plastic, Black	1	1
10		1038344-NLA	NLA - Handle, Wheel Lock, Black - Right	1	1
10		1038345-NLA	NLA - Handle, Wheel Lock, Black - Left	1	1
11		1028416-NLA	NLA - Link, Wheel Lock, Black	1	1
12		1029420-NLA	NLA - Shoe, Wheel Lock	1	1
13		1055304-NLA	NLA - Screw, Socket Button Head (1/4-28 x 5/8")	1	2
14		1059284-NLA	NLA - Screw, Socket Button Head (1/4-28 x 1-1/4")	1	1
15		1026108	Lockwasher (1/4 x 15/32 x 1/64")	1	1
16		1029423	Wheel Lock, High Mount, Push to Lock - Right	1	1
16		1029424	Wheel Lock, High Mount, Push to Lock - Left	1	1
17		1039344	Kit, Wheel Lock Attaching Hardware (1" tubing)	1	1
			NLA - Clamp, Wheel Lock, Threaded (1")	1	2
			NLA - Clamp, Wheel Lock, Non-Threaded (1")	1	2
			Screw, Allen Head (1/4-20 x 1")	1	4
	A,B	1026096-NLA	NLA - Clamp, Wheel Lock, Threaded (1")	2	1
	A,B	1026097-NLA	NLA - Clamp, Wheel Lock, Non-Threaded (1")	2	1
	A,B	1027268	Screw, Allen Head (1/4-20 x 1")	4	1
NOTE: A - Included with Item 17. B - Not Shown.					
NOTE: If a complete assembly is desired, order the new style (After 1/99) to assure the upgrades are received.					

Wheel Lock - 24" Wheel (From 2/98 to 2/99)

THE PRODUCTION OF THE HTR IS CURRENTLY SUSPENDED AND SOME SERVICE PARTS MAY NOT BE AVAILABLE TO ORDER.

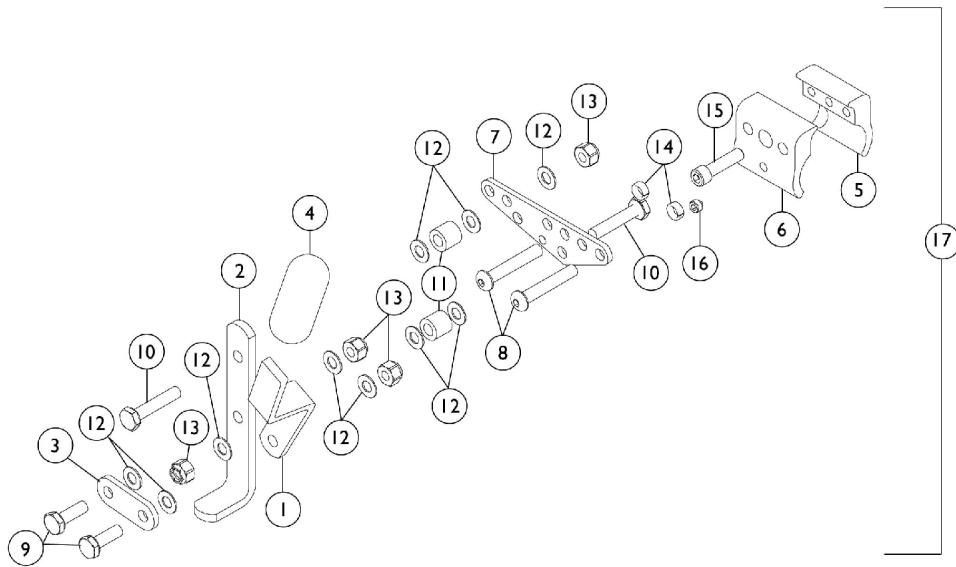


Item Number	Note	Part Number	Description	Quantity Per	
				Package	Assembly
1		BM42	Handle, Black	1	1
2		440585	Shoe	1	1
3		440586	Link	1	1
4		B412M-NLA	NLA - Handle, Tip, Black	1	1
4		47376X024	Tip, Rubber Wheel Lock Handle, Black	1	1
5		1108197-NLA	Clamp, Threaded - Right	1	1
5		1108198	Clamp, Threaded - Left	1	1
6		1072398-NLA	NLA - Clamp, Non-threaded	1	1
7		1072394-NLA	NLA - Plate	1	1
8		1008495	Screw, Socket Button Head (1/4-20 x 1-1/2")	1	2
9		1108181-NLA	NLA - Screw, Socket Button Head (#10-32 x 5/8")	1	2
10		1003645	Screw, Socket Button Head (#10-32 x 3/4")	1	2
11		1108184-NLA	NLA - Spacer, Nylon (3/16 x 3/16 x 5/16")	1	2
12		1026103-NLA	NLA - Washer, Nylon (1/4 x 1/2 x 1/32")	1	8
13		1025735	Locknut (#10-32)	1	4

NOTE: If a complete assembly is desired, order the new style (After 1/99) to assure the upgrades are received.

Wheel Lock - 24" Wheel (After 1/99)

THE PRODUCTION OF THE HTR IS CURRENTLY SUSPENDED AND SOME SERVICE PARTS MAY NOT BE AVAILABLE TO ORDER.



Wheel Lock - 24" Wheel (After 1/99)

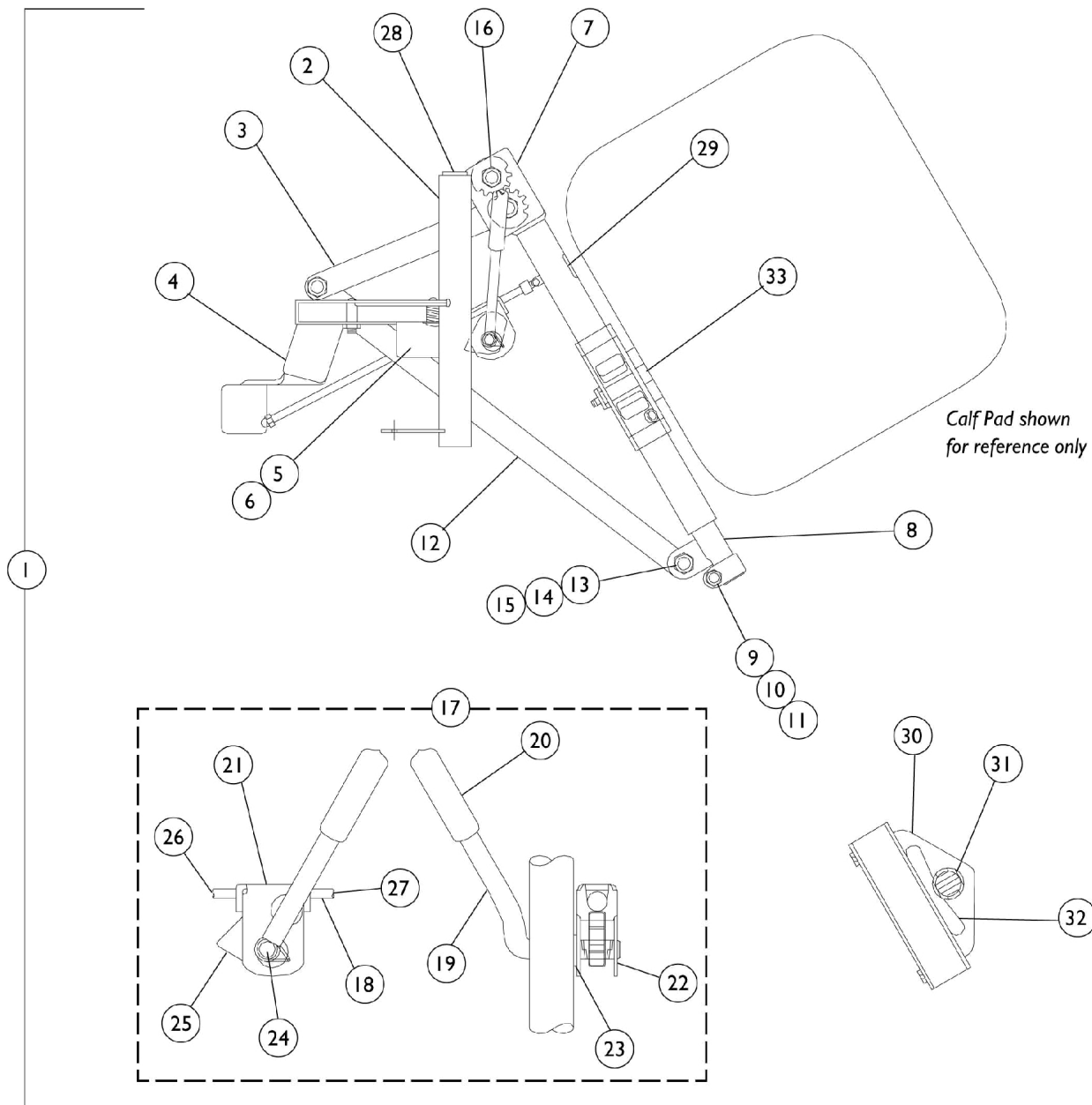
THE PRODUCTION OF THE HTR IS CURRENTLY SUSPENDED AND SOME SERVICE PARTS MAY NOT BE AVAILABLE TO ORDER.

Item Number	Note	Part Number	Description	Quantity Per	
				Package	Assembly
1		BM42	Handle, Black	1	1
2		1084204-NLA	NLA - Shoe, Wheel Lock	1	1
3		440586	Link	1	1
4		B412M-NLA	NLA - Handle, Tip, Black	1	1
4		47376X024	Tip, Rubber Wheel Lock Handle, Black	1	1
5		1108197-NLA	Clamp, Threaded - Right	1	1
5		1108198	Clamp, Threaded - Left	1	1
6		1072398-NLA	NLA - Clamp, Non-threaded	1	1
7		1072394-NLA	NLA - Plate	1	1
8		1008495	Screw, Socket Button Head (1/4-20 x 1-1/2")	1	2
9		1025708-NLA	NLA - Bolt, Hex Head Cap (1/4-20 x 3/4")	1	2
10		1021406	Screw, Hex Head (1/4-20 x 1-1/4")	1	2
11		1057946-NLA	NLA - Spacer (17/64 x 31/64 x 7/16")	1	2
12		1026103-NLA	NLA - Washer, Nylon (1/4 x 1/2 x 1/32")	1	10
13		1025736	Locknut (1/4-20)	1	4
14		1108159-NLA	NLA - Spacer (1/4 x 3/8 x 5/32")	1	2
15		1027268	Screw, Allen Head (1/4-20 x 1")	1	1
16		1101207-NLA	NLA - Screw, Set Socket Cone Point (1/4-20 x 1/4")	1	1
17	B	1109173-NLA	NLA - Kit, Wheel Lock (24")	1	1
			NLA - Wheel Lock Assembly, Black - Right	1	1
			NLA - Wheel Lock Assembly, Black - Left	1	1
			NLA - Instruction Sheet	1	1
17		1108172-NLA	NLA - Wheel Lock Assembly, Black - Right	1	1
17		1108173-NLA	NLA - Wheel Lock Assembly, Black - Left	1	1
	A,C	1106657	NLA - Instruction Sheet	1	1

NOTE: A - Not Shown.
 B - Kit Includes Right and Left Wheel Lock Assembly and Instruction Sheet.
 C - Item is no longer available from the Invacare Service Parts Department. Refer to the Invacare Website under "Product Literature Search". Enter the part number in the "Keywords" field and download a free PDF version copy.

Articulating Legrest Support Assembly

THE PRODUCTION OF THE HTR IS CURRENTLY SUSPENDED AND SOME SERVICE PARTS MAY NOT BE AVAILABLE TO ORDER.



Articulating Legrest Support Assembly

THE PRODUCTION OF THE HTR IS CURRENTLY SUSPENDED AND SOME SERVICE PARTS MAY NOT BE AVAILABLE TO ORDER.

Part Number	Description	Package Quantity
1072298-NLA	Legrests with Footplates, Chrome (16")	2
1129608-NLA	Legrests with Footplates, Grey (16")	2
1072307-NLA	Legrests with Footplates, Chrome (18")	2
1129607-NLA	Legrests with Footplates, Grey (18")	2

Articulating Legrest Support Assembly

THE PRODUCTION OF THE HTR IS CURRENTLY SUSPENDED AND SOME SERVICE PARTS MAY NOT BE AVAILABLE TO ORDER.

Item Number	Note	Part Number	Description	Quantity Per	
				Package	Assembly
1	A,E	1041797-NLA	NLA - Legrest Support Assembly, Articulating, Adult, Chrome - Right	1	1
1	A	1149647	Legrest Support Assembly, Articulating, Adult, Chrome - Right	1	1
1	A,F	1041798-NLA	NLA - Legrest Support Assembly, Articulating, Adult, Chrome - Left	1	1
1	A	1149648	Legrest Support Assembly, Articulating, Adult, Chrome - Left	1	1
2	B	1022871-NLA	NLA - Legrest Support Tube Assembly, Adult, Chrome - Right	1	1
2	B	1022872-NLA	NLA - Legrest Support Tube Assembly, Adult, Chrome - Left	1	1
3		1022862	Tube, Legrest Support, Adult, Chrome - Right	1	1
3		1022863	Tube, Legrest Support, Adult, Chrome - Left	1	1
4		1031235-NLA	NLA - Handle, Release, Chrome - Right	1	1
4		1031236-NLA	NLA - Handle, Release, Chrome - Left	1	1
5		1022874	Bumper	1	1
6		1030979	Screw, Phillips Pan Head Tap (#10-32 x 3/4")	1	1
7		1022877-NLA	NLA - Tube, Support and Drive Link, Chrome - Right	1	1
7		1022878-NLA	NLA - Tube, Support and Drive Link, Chrome - Left	1	1
8		1022848	Tube, Slide, Articulating, Chrome - Right	1	1
8		1022849	Tube, Slide, Articulating, Chrome - Left	1	1
9		11232X009	Bolt, Lug (5/16-24 x 1-3/8")	1	1
10		1027377	Washer (#20)	1	1
11		7930363-NLA	NLA - Package, Locknut (5/16"-24)	25	1
12		1022846-NLA	NLA - Bar, Link, Black	1	1
13		1022866-NLA	NLA - Screw, Socket Button Head (3/8-16 x 3/4")	1	2
14		1049527	Washer, Nylon (3/8 x 3/4 x 1/16")	1	2
15		40363X000	Hex Nut (3/8"-16)	1	3
16		1022854-NLA	NLA - Screw, Shoulder Slotted Head (1/2 x 1-1/8", 3/8-16)	1	1
17	C	1046329	Kit, Elevating Legrest Ratchet Hardware (Pair)	2	1
18		42326X004	Bar, Ratchet - Right/Left	1	1
19		1037126	Handle, Release	1	1
20		1040060	Tip, Plastic, Black	1	1
21		04528X002	Bracket, Release, Black	1	1
22		1040831	Ring, Snap	1	1
23		7930310-NLA	NLA - Washer, Nylon (5/16 x 11/16 x 1/16")	25	1
24		1037485	Spring, Release	1	1
25		1037125	Cam, Legrest	1	1
26		7930336-NLA	NLA - Nut, Acorn (5/16-24)	25	1
27		47330X003	Spacer (5/16 x 1/2 x 3/8")	1	1
28		1027097	Plug Button, Black (3/4")	1	1
29		1024911-NLA	NLA - Decal, Smartleg	1	1

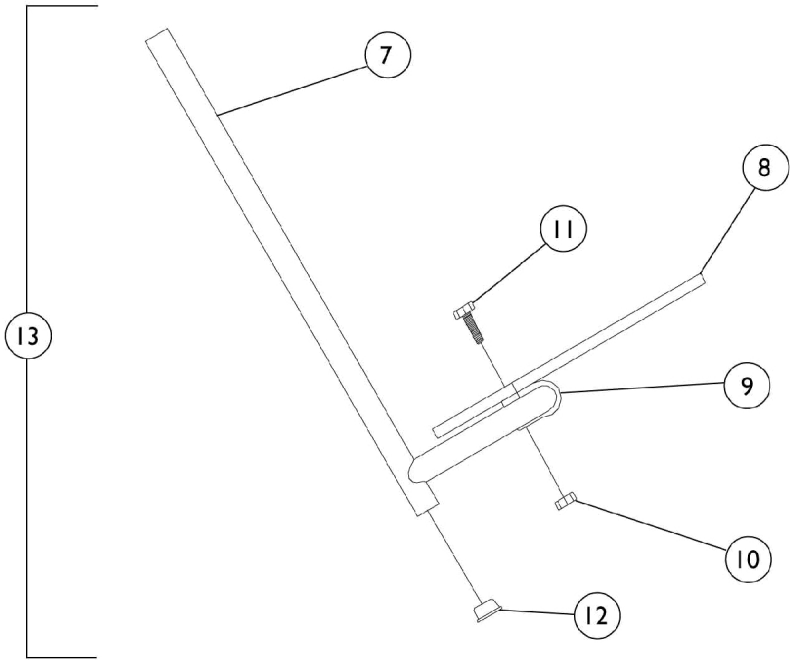
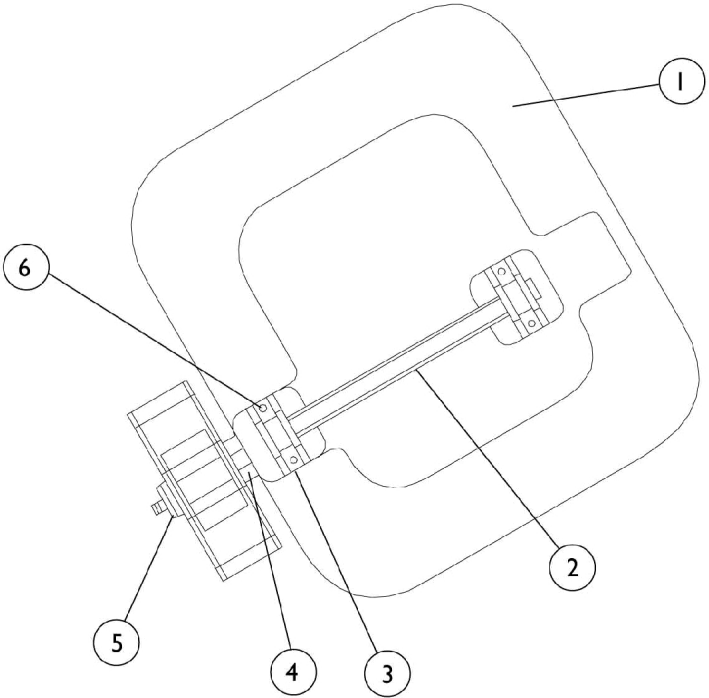
Articulating Legrest Support Assembly

THE PRODUCTION OF THE HTR IS CURRENTLY SUSPENDED AND SOME SERVICE PARTS MAY NOT BE AVAILABLE TO ORDER.

Item Number	Note	Part Number	Description	Quantity Per	
				Package	Assembly
30		1025104	Bracket, Legrest, Chrome	1	1
31		47328X003	Bushing, Pivot (5/16 x 7/16 x 7/8")	1	1
32		48823X008	Spring, Leaf	1	1
33		1025133	Spacer, Legrest Pad, Black	1	1
	D	See Chart	Articulating Legrest Assembly	1	1
NOTE: A - Includes items 3-33. B - Includes items 3-6. C - Includes items 18-27. D - Not Shown. E - Item no longer available, refer to part number 1149647 for replacement. F - Item no longer available, refer to part number 1149648 for replacement.					

Legrest Calf Pad Assembly & Pivot Slide Tube with Footplate

THE PRODUCTION OF THE HTR IS CURRENTLY SUSPENDED AND SOME SERVICE PARTS MAY NOT BE AVAILABLE TO ORDER.



Legrest Calf Pad Assembly & Pivot Slide Tube with Footplate

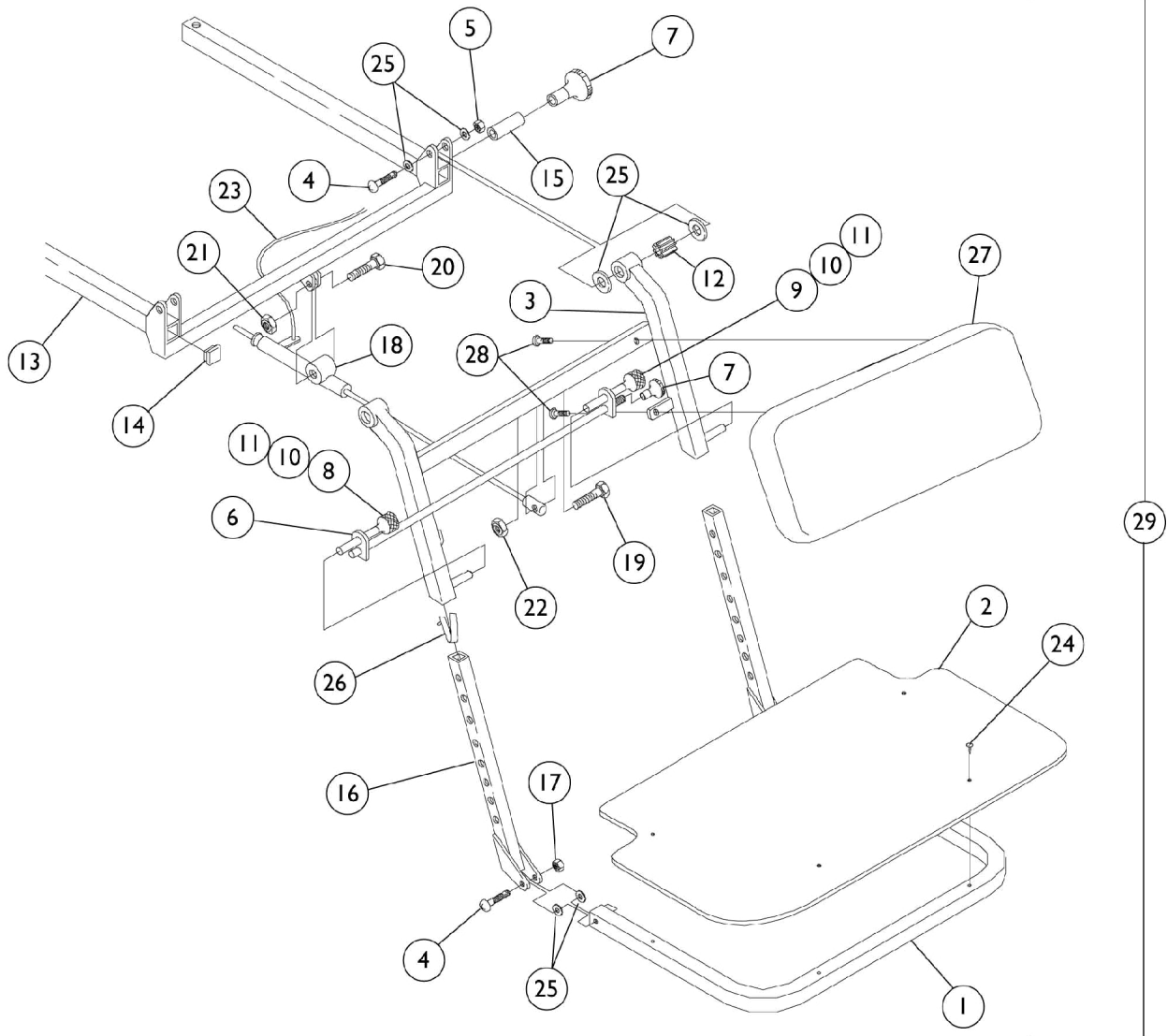
THE PRODUCTION OF THE HTR IS CURRENTLY SUSPENDED AND SOME SERVICE PARTS MAY NOT BE AVAILABLE TO ORDER.

Item Number	Note	Part Number	Description	Quantity Per	
				Package	Assembly
1		420166	Kit, Calf Pad 16" - Right and Left SmartLeg	1	1
			Pad, Calf SmartLeg with Cover - Right (16" W)	1	1
			Pad, Calf SmartLeg with Cover - Left (16" W)	1	1
1		420167	Kit, Calf Pad 18" - Right and Left SmartLeg	1	1
			Pad, Calf SmartLeg with Cover - Right (18" W)	1	1
			Pad, Calf SmartLeg with Cover - Left (18" W)	1	1
1		420172-NLA	NLA - Cover, Calf Pad, Black (16")	1	1
1		420173	Cover, Calf Pad, Black (18")	1	1
2		350044-NLA	NLA - Bar, Calf Pad Mounting	1	1
3		04526X019	Plate, Legrest Pad	1	2
4		1108194-NLA	NLA - Locknut (#10-32)	1	4
5		1108122-NLA	NLA - Locknut (5/16-18)	1	2
6		1108141-NLA	NLA - Screw, Phillips Flat Head (#10-32 x 1")	1	4
7	B	420151-1-NLA	Tube, Pivot/Slide, Chrome - Right	1	1
7	C	1129528-NLA	Tube, Pivot/Slide, Grey - Right	1	1
7	B	420150-1-NLA	Tube, Pivot/Slide, Chrome - Left	1	1
7	C	1129529-NLA	Tube, Pivot/Slide, Grey - Left	1	1
8		420197	Plate, Footrest (16")	1	1
8		420198-NLA	NLA - Plate, Footrest (18")	1	1
9		420193-NLA	NLA - Clamp, Footplate	1	1
10		1025195	Locknut (1/4-20)	1	2
11		1008495	Screw, Socket Button Head (1/4-20 x 1-1/2")	1	2
12		1018133	Plug Button, Black (5/8")	1	1
13	A,B	1072342	Pivot/Slide Tube w/ Footplate, Chrome (16")	2	1
13	A,C	1129618-NLA	NLA - Pivot/Slide Tube w/ Footplate, Grey (16")	2	1
13	A,B	1072343-NLA	NLA - Pivot/Slide Tube w/ Footplate, Chrome (18")	2	1
13	A,C	1129603-NLA	Pivot/Slide Tube w/ Footplate, Grey (18")	2	1

NOTE: A - Includes Items 7-12.
 B - Before 1/24/05. For use on chairs with "Chrome Frame Finish."
 C - After 1/23/05. For use on chairs with "Grey Frame Finish."

One Piece Elevating Footboard

THE PRODUCTION OF THE HTR IS CURRENTLY SUSPENDED AND SOME SERVICE PARTS MAY NOT BE AVAILABLE TO ORDER.



One Piece Elevating Footboard

THE PRODUCTION OF THE HTR IS CURRENTLY SUSPENDED AND SOME SERVICE PARTS MAY NOT BE AVAILABLE TO ORDER.

Item Number	Note	Part Number	Description	Quantity Per	
				Package	Assembly
1	D	420145-1-NLA	Tube, Frame, Footboard, Chrome (16")	1	1
1	E	1129510-NLA	Footboard, Frame, Tube, Grey (16")	1	1
1	D	420146-1	Tube, Frame, Footboard, Chrome (18")	1	1
1	E	1129511	Footboard, Frame, Tube, Grey (18")	1	1
2		420148	Footboard - ABS (16")	1	1
2		420149-NLA	NLA - Footboard - ABS (18")	1	1
3	D	420122-1-NLA	Footrest Lower, Support Tube, Chrome (16" W)	1	1
3	E	1129525-NLA	Footrest Lower, Support Tube, Grey (16" W)	1	1
3	D	420123-1-NLA	Footrest Lower, Support Tube, Chrome (18" W)	1	1
3	E	1129526-NLA	Footrest Lower, Support Tube, Grey (18" W)	1	1
4		1108128	Screw, Socket Button Head (1/4-20 x 1-1/2")	1	4
5		1025195	Locknut (1/4-20)	1	2
6		420131-1-NLA	Adjuster, Leg (16")	1	1
6		420132-1	Adjuster, Leg (18")	1	1
7		1108134	Knob, Black	1	2
8		1132724-NLA	NLA - Pin, Lift	1	1
9		1132722	Pin, Release	1	1
10		1108188-NLA	Spring, Lift Pin	1	2
11		1108194-NLA	NLA - Locknut (#10-32)	1	2
12		1108117	Spacer, Ribbed (25/32 x 1/4 x 7/8")	1	2
13	A,D	420182	Hanger Assembly, Telescoping, Chrome (16")	1	1
13	A,E	1131375	Hanger Assembly, Telescoping, Grey (16")	1	1
13	A,D	420183	Hanger Assembly, Telescoping, Chrome (18")	1	1
13	A,E	1129595	Hanger Assembly, Telescoping, Grey (18")	1	1
13	D	420112-1-NLA	Hanger, Telescoping, Chrome (16")	1	1
13	E	1129523-NLA	Hanger, Telescoping, Grey (16")	1	1
13	D	420113-1-NLA	Hanger, Telescoping, Chrome (18")	1	1
13	E	1129524-NLA	Hanger, Telescoping, Grey (18")	1	1
14	C	1108160-NLA	NLA - Block, Glide	1	2
14		1108498-NLA	NLA - Plug Button, Square, Black (1-1/4")	1	2
15		420147-NLA	NLA - Handle, Chrome	1	1
16	D	420142-1-NLA	Tube, Lower Support, Chrome	1	2
16	E	1129527-NLA	NLA - Tube, Lower Support, Grey	1	2
17		1008882	Locknut (1/4-20)	1	2
18		350046	Cylinder, Lock	1	1
19		1108192-NLA	Screw, Hex Head (1/4-20 x 1")	1	1
20		1108123-NLA	NLA - Screw, Hex Head (5/16-18 x 1-3/4")	1	1
21		60290X002	Locknut (5/16-18)	1	1
22		60275X000	Locknut (1/4-20)	1	1
23		350038-NLA	NLA - Cable	1	1
24		1035056-NLA	NLA - Screw, Flat Head (#10 x 1")	1	4
25		1010398	Washer, Nylon (1/4 x 1/2 x 1/16")	1	8

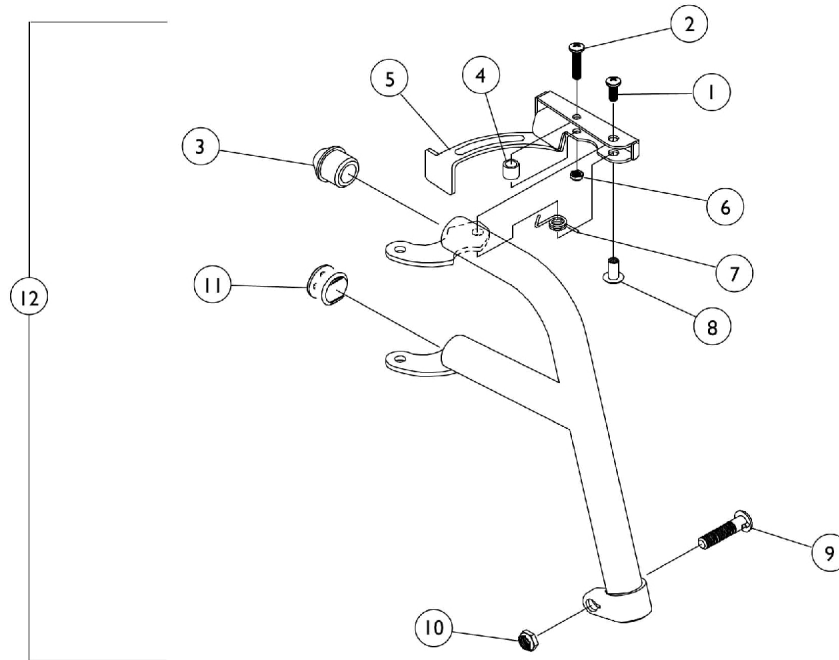
One Piece Elevating Footboard

THE PRODUCTION OF THE HTR IS CURRENTLY SUSPENDED AND SOME SERVICE PARTS MAY NOT BE AVAILABLE TO ORDER.

Item Number	Note	Part Number	Description	Quantity Per	
				Package	Assembly
26		1108108-NLA	NLA - Button, Lock	1	2
27		420174-25-NLA	Pad, Calf, Lower, Mauve (16" W)	1	1
27		420174-26-NLA	Pad, Calf, Lower, Grotto (16" W)	1	1
27		420174-27-NLA	Pad, Calf, Lower, Blueberry (16" W)	1	1
27		420175-25-NLA	Pad, Calf, Lower, Mauve (18" W)	1	1
27		420175-26-NLA	Pad, Calf, Lower, Grotto (18" W)	1	1
27		420175-27	Pad, Calf, Lower, Blueberry (18" W)	1	1
28	F	1121008-NLA	NLA - Screw (#10-24 x 7/8")	1	4
29	B,D	1072296	Footboard, Elevating, Mauve, Chrome (16")	1	1
29	B,E	1129606	Footboard, Elevating, Mauve, Grey (16")	1	1
29	B,D	1072303	Footboard, Elevating, Grotto, Chrome (16")	1	1
29	B,E	1129613	Footboard, Elevating, Grotto, Grey (16")	1	1
29	B,D	1072304	Footboard, Elevating, Blueberry, Chrome (16")	1	1
29	B,E	1129614	Footboard, Elevating, Blueberry, Grey (16")	1	1
29	B,D	1072297	Footboard, Elevating, Mauve, Chrome (18")	1	1
29	B,E	1129617	Footboard, Elevating, Mauve, Grey (18")	1	1
29	B,D	1072305	Footboard, Elevating, Grotto, Chrome (18")	1	1
29	B,E	1129615	Footboard, Elevating, Grotto, Grey (18")	1	1
29	B,D	1072306	Footboard, Elevating, Blueberry, Chrome (18")	1	1
29	B,E	1129616	Footboard, Elevating, Blueberry, Grey (18")	1	1
<p>NOTE: A - Includes items 7, 14 and 15. B - Includes items 1-28. C - Item no longer available, refer to Part #1108498. D - Before 1/24/05. For use on chairs with "Chrome Frame Finish." E - After 1/23/05. For use on chairs with "Grey Frame Finish." F - No Longer Available individually. See Category titled "Lateral Trunk Support" for Kit # HRA20K as replacement.</p>					

Footrest Support Assembly

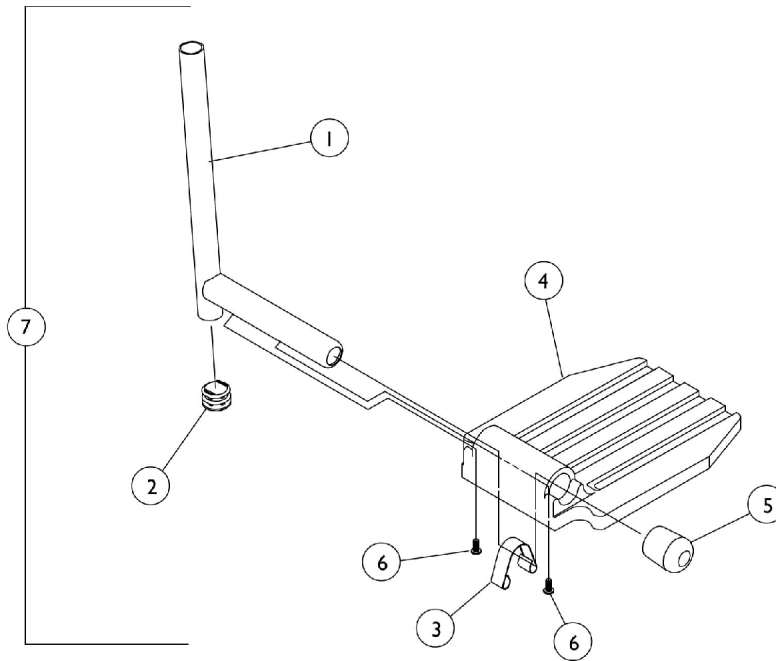
THE PRODUCTION OF THE HTR IS CURRENTLY SUSPENDED AND SOME SERVICE PARTS MAY NOT BE AVAILABLE TO ORDER.



Item Number	Note	Part Number	Description	Quantity Per	
				Package	Assembly
1		7930359-NLA	NLA - Package, Screw, Phillips Pan Head (#10-32 x 1/2")	25	1
2		7930360-NLA	NLA - Package, Screw, Phillips Pan Head (#10-32 x 11/16")	25	1
3		1020719	Anti-Rattle, Black	1	1
4		47565X057	Bushing (7/32 x 3/8 x 11/32")	1	1
5		1035539	Handle, Release, Black - Right	1	1
5		1035540	Handle, Release, Black - Left	1	1
6		7930365-NLA	NLA - Locknut (#10-32)	25	1
7		1008935	Spring, Release - Right	1	1
7		1008936	Spring, Release - Left	1	1
8		67005X000	Rivnut (#10-32)	1	1
9		11232X009	Bolt, Lug (5/16-24 x 1-3/8")	1	1
10		7930363-NLA	NLA - Package, Locknut (5/16"-24)	25	1
11		1027095	Plug Button, Black (7/8")	1	1
12		1030708	Footrest Support Assembly, Adult, Silver Vein - Right	1	1
12		1030709	Footrest Support Assembly, Adult, Silver Vein - Left	1	1

Pivot/Slide Tube w/ Footplate

THE PRODUCTION OF THE HTR IS CURRENTLY SUSPENDED AND SOME SERVICE PARTS MAY NOT BE AVAILABLE TO ORDER.

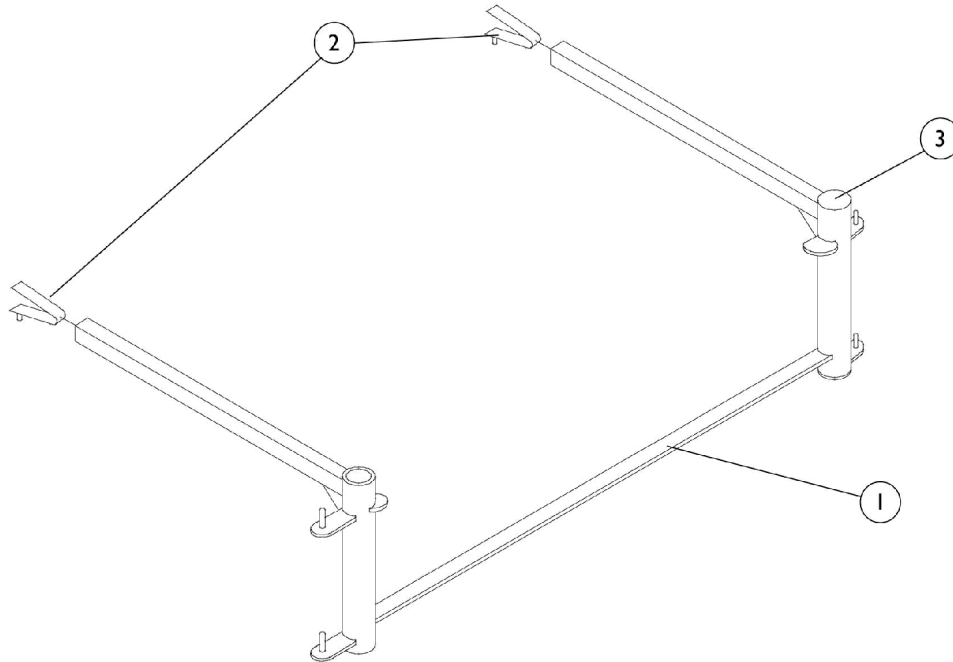


Item Number	Note	Part Number	Description	Quantity Per	
				Package	Assembly
1		7500004-NLA	NLA - Pivot/Slide Tube w/ Plug Button	1	1
2		1027097	Plug Button, Black (3/4")	1	1
3		1006981	Spring, Tension	1	1
4		1015178	Footplate, Composite, Black (6" W x 7-53/64" L)	1	1
5		1016346	Cap, End, Tube, Black (7/8")	1	1
6		40120X001	Screw, Phillips Pan Head (#8-32 x 3/8")	1	2
7		1017224-NLA	NLA - Pivot/Slide Tube w/ Composite Footplate Assembly, Chrome - Right	1	1
7		1017225-NLA	NLA - Pivot/Slide Tube w/ Composite Footplate Assembly, Chrome - Left	1	1
	A	1027000	Heel Loop - Large - Right/Left	1	1
	A	1021421-NLA	NLA - Screw, Phillips Pan Head (1/4-20 x 2-1/4")	1	1
	A	1006477-NLA	NLA - Spacer (1/4 x 11/32 x 1-3/4")	1	1
	A	1025195	Locknut (1/4-20)	1	1

NOTE: A - Not Shown.

Front Rigging Hanger Assembly

THE PRODUCTION OF THE HTR IS CURRENTLY SUSPENDED AND SOME SERVICE PARTS MAY NOT BE AVAILABLE TO ORDER.

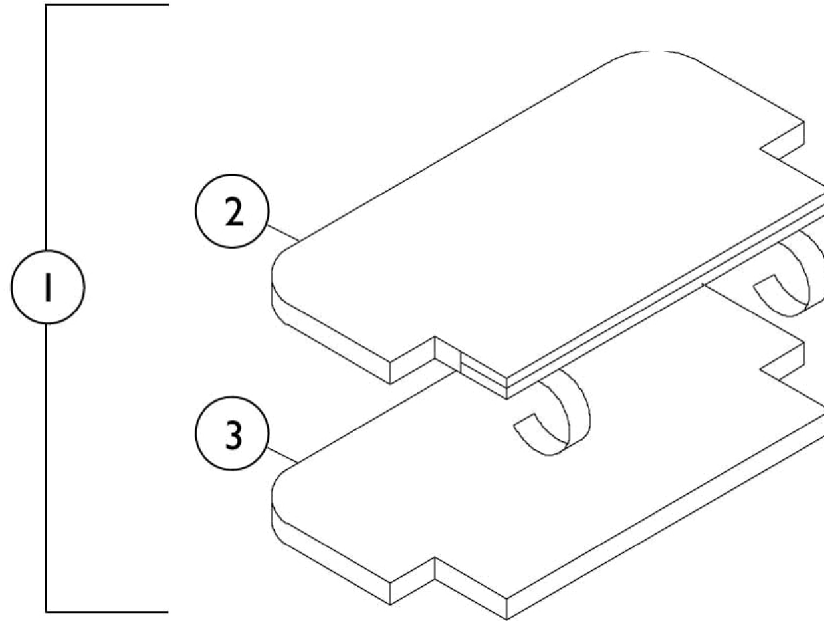


Item Number	Note	Part Number	Description	Quantity Per	
				Package	Assembly
1	C	420108-1-NLA	Footrest Hanger Assembly, Chrome (16" W)	1	1
1	D	1129521-NLA	Footrest Hanger Assembly, Grey (16")	1	1
1	C	420109-1-NLA	Footrest Hanger Assembly, Chrome (18" W)	1	1
1	D	1129522	Footrest Hanger Assembly, Grey (18")	1	1
	A,B	420187	Kit, Footrest Hanger Hardware	1	1
2			NLA - Button, Lock	1	2
3			Plug Button, Black (1")	1	4

NOTE: A - Not Shown.
 B - Kit Includes Items 2-3.
 C - Before 1/24/05. For use on chairs with "Chrome Frame Finish."
 D - After 1/23/05. For use on chairs with "Grey Frame Finish."

Footboard Pad Assembly

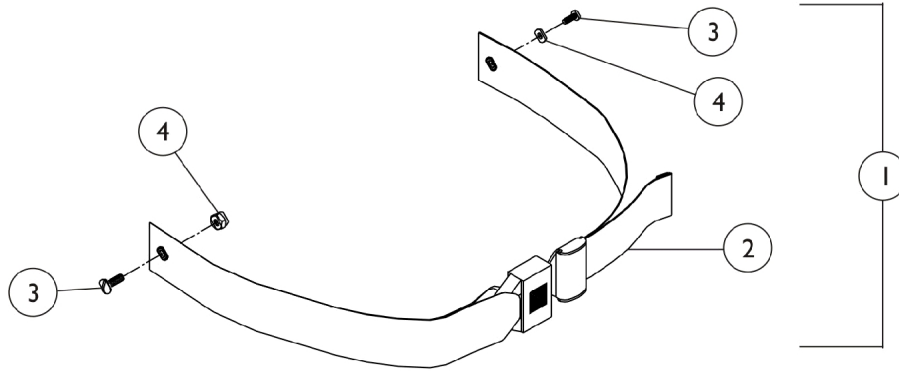
THE PRODUCTION OF THE HTR IS CURRENTLY SUSPENDED AND SOME SERVICE PARTS MAY NOT BE AVAILABLE TO ORDER.



Item Number	Note	Part Number	Description	Quantity Per	
				Package	Assembly
1		450121	Pad Assembly, Footboard (16")	1	1
1		450122-NLA	NLA - Pad Assembly, Footboard (18")	1	1
2		450125-NLA	NLA - Cover, Footboard Pad (16")	1	1
2		450126-NLA	NLA - Cover, Footboard Pad (18")	1	1
3		450123-NLA	NLA - Foam, Footboard Pad (16")	1	1
3		450124-NLA	NLA - Foam, Footboard Pad (18")	1	1

Seat Positioning Strap

THE PRODUCTION OF THE HTR IS CURRENTLY SUSPENDED AND SOME SERVICE PARTS MAY NOT BE AVAILABLE TO ORDER.



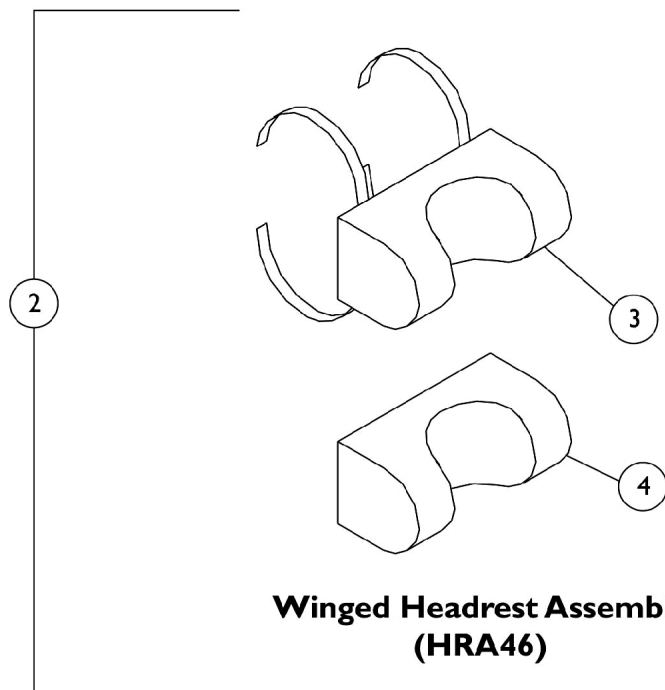
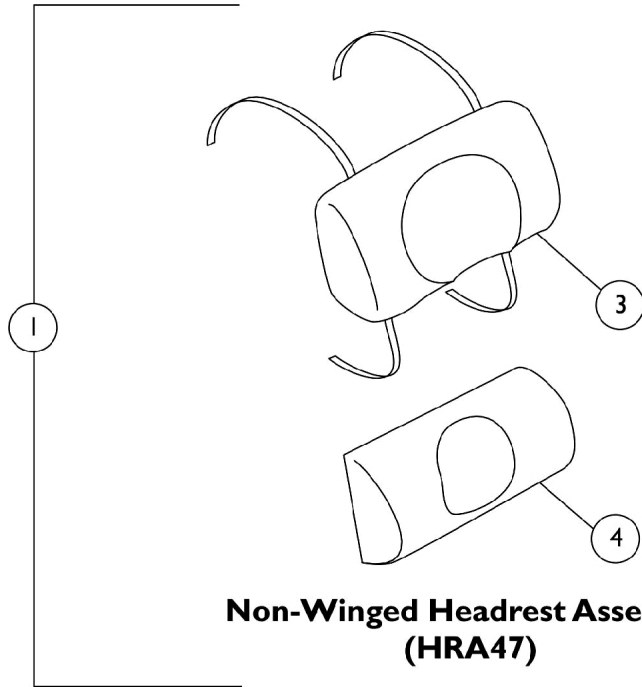
Item Number	Note	Part Number	Description	Quantity Per	
				Package	Assembly
1	A	450149	Kit, Belt Auto	1	1
2			Strap, Positioning, Seat/Chest w/ Auto Style Push Button Buckle (Eyelet to Eyelet Length 48")	1	1
3			Screw, Phillips Truss Head (1/4-20 x 3/4")	1	2
4			Locknut (1/4-20)	1	2

NOTE: A - Kit Includes Items 2-4.

Headrest

Non-Winged and Winged

NOTE: Model HRA47 Contoured Headrests are the Non-Winged Headrest shown. Model HRA46 Headrests are the Winged Headrest shown. THE PRODUCTION OF THE HTR IS CURRENTLY SUSPENDED AND SOME SERVICE PARTS MAY NOT BE AVAILABLE TO ORDER.



Headrest

Non-Winged and Winged

NOTE: Model HRA47 Contoured Headrests are the Non-Winged Headrest shown. Model HRA46 Headrests are the Winged Headrest shown. THE PRODUCTION OF THE HTR IS CURRENTLY SUSPENDED AND SOME SERVICE PARTS MAY NOT BE AVAILABLE TO ORDER.

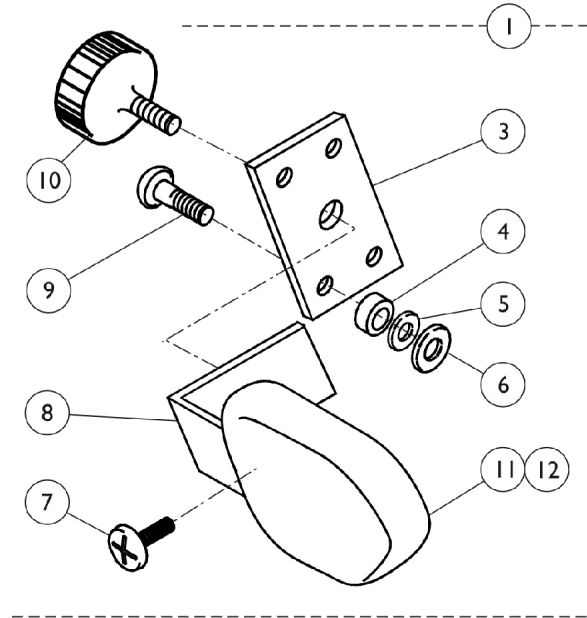
Item Number	Note	Part Number	Description	Quantity Per	
				Package	Assembly
1	A,B	450095-25-NLA	NLA - Headrest Assembly, Non-Winged, Mauve (18")	1	1
1	A,B	450095-26-NLA	NLA - Headrest Assembly, Non-Winged, Grotto (18")	1	1
1	A,B	450095-27-NLA	NLA - Headrest Assembly, Non-Winged, Blueberry (18")	1	1
1	A	450094-25	Headrest Assembly, Non-Winged, Mauve (16 or 18")	1	1
1	A	450094-26-NLA	Headrest Assembly, Non-Winged, Grotto (16 or 18")	1	1
1	A	450094-27-NLA	NLA - Headrest Assembly, Non-Winged , Blueberry (16 or 18")	1	1
2	A	450127-25	Headrest Assembly, Winged, Mauve (16 or 18")	1	1
2	A	450127-26-NLA	Headrest Assembly, Winged, Grotto (16 or 18")	1	1
2	A	450127-27-NLA	NLA - Headrest Assembly, Winged, Blueberry (16 or 18")	1	1
3	C	450097-25-NLA	NLA - Cover, Zippered Headrest, Non-Winged, Mauve (18")	1	1
3	C	450097-26-NLA	NLA - Cover, Zippered Headrest, Non-Winged, Grotto (18")	1	1
3	C	450097-27-NLA	NLA - Cover, Zippered Headrest, Non-Winged, Blueberry (18")	1	1
3		450096-25-NLA	NLA - Cover, Zippered Headrest, Non-Winged, Mauve (16 or 18")	1	1
3		450096-26-NLA	NLA - Cover, Zippered Headrest, Grotto, Non-Winged (16 or 18")	1	1
3		450096-27-NLA	NLA - Cover, Zippered Headrest, Blueberry, Non-Winged (16 or 18")	1	1
3		450114-25-NLA	NLA - Cover, Zippered Headrest, Mauve, Winged (16 or 18")	1	1
3		450114-26-NLA	NLA - Cover, Zippered Headrest, Winged, Grotto (16 or 18")	1	1
3		450114-27-NLA	NLA - Cover, Zippered Headrest, Blueberry, Winged (16 or 18")	1	1
4		TR5250-NLA	NLA - Insert, Foam, Non-Winged (16")	1	1
4		TR5275-NLA	NLA - Insert, Foam, Non-Winged (18")	1	1
4		HRA14A-NLA	NLA - Insert, Foam, Winged (16" or 18")	1	1

NOTE: A - Headrest Assembly includes items 3 and 4
 B - Item 1 part # 450095-25, 450095-26, 450095-27 are NLA. Refer to item 1 part # 450094 and select your color choice, -25, -26 or -27.
 C - Item 3 part # 450097-25, 450097-26, 450097-27 are NLA. Refer to item 3 part # 450096 and select your color choice, -25, -26 or -27.

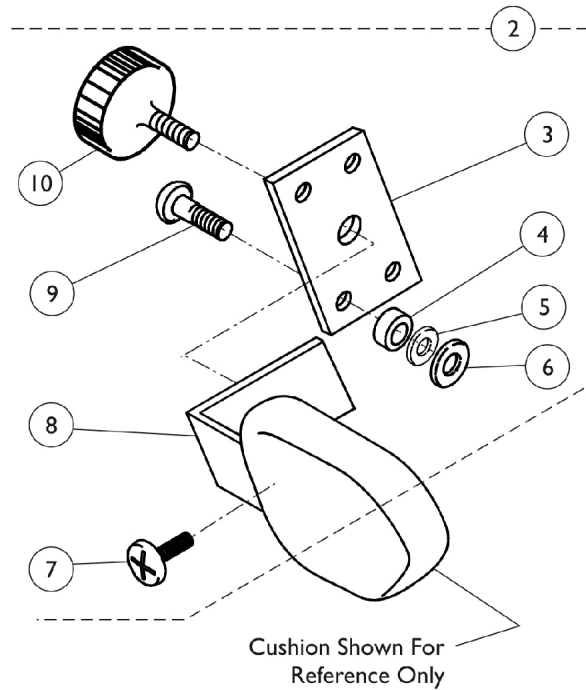
Headwings

THE PRODUCTION OF THE HTR IS CURRENTLY SUSPENDED AND SOME SERVICE PARTS MAY NOT BE AVAILABLE TO ORDER.

Headwing Assembly



Headwing Hardware



Headwings

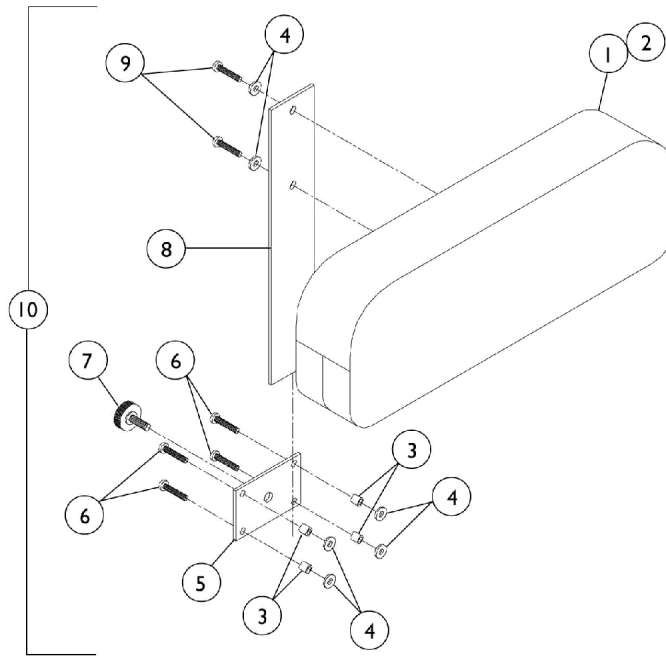
THE PRODUCTION OF THE HTR IS CURRENTLY SUSPENDED AND SOME SERVICE PARTS MAY NOT BE AVAILABLE TO ORDER.

Item Number	Note	Part Number	Description	Quantity Per	
				Package	Assembly
1	D,A	1072294	Headwing Assembly, Mauve, Chrome	2	1
1	D,A	1072301	Headwing Assembly, Grotto, Chrome	2	1
1	D,A	1072302	Headwing Assembly, Blueberry, Chrome	2	1
1	E,A	1129611	Headwing Assembly, Grotto, Grey	2	1
1	E,A	1129612	Headwing Assembly, Blueberry, Grey	2	1
1	E,A	1129628	Headwing Assembly, Mauve, Grey	2	1
2	D,B	HTR5HWK	Kit, Headwing Hardware - Chrome	2	1
2	E,B	1129627	Kit, Headwing Hardware - Grey	2	1
3		QC47A	Plate, Headwing - Chrome	1	1
3		1129545-NLA	Plate, Headwing - Grey	1	1
4		1108143	Spacer, Nylon (3/16 x 5/16 x 5/16")	1	4
5		1126487	Washer, Flat Nylon (3/16 x 7/16 x 1/16")	1	4
6		1013218	Washer (#10 Flat)	1	4
7		5000136	Screw, Phillips Truss Head (1/4-20 x 3/4")	1	2
8	D	TR5300	Bracket, "L", Chrome	1	1
8	E	1129515-NLA	Bracket, "L", Grey	1	1
9	C	1108131-NLA	NLA - Screw, Phillips Pan Head (#10-24 x 1")	1	4
9		1108193-NLA	NLA - Screw, Phillips Pan Head (#10-24 x 3/4")	1	4
10		FB883	Knob, Adjustment	1	1
11		450104-25-NLA	Cushion, Headwing, Mauve	2	1
11		450104-26-NLA	Cushion, Headwing, Grotto	2	1
11		450104-27	Cushion, Headwing, Blueberry	2	1
12		450105-25-NLA	NLA - Cover, Headwing, Mauve	1	1
12		450105-26-NLA	NLA - Cover, Headwing, Grotto	1	1
12		450105-27	Cover, Headwing, Blueberry	1	1

NOTE: A - Includes items 2 - 12.
 B - Includes items 2 - 10.
 C - Items no longer available, refer to Part No. 1108193 when ordering replacements.
 D - Before 01/24/2005, for use on chairs with Chrome frame finish.
 E - After 01/23/2005, for use on chairs with a Gray frame finish.

Headrest Extension

THE PRODUCTION OF THE HTR IS CURRENTLY SUSPENDED AND SOME SERVICE PARTS MAY NOT BE AVAILABLE TO ORDER.



Headrest Extension

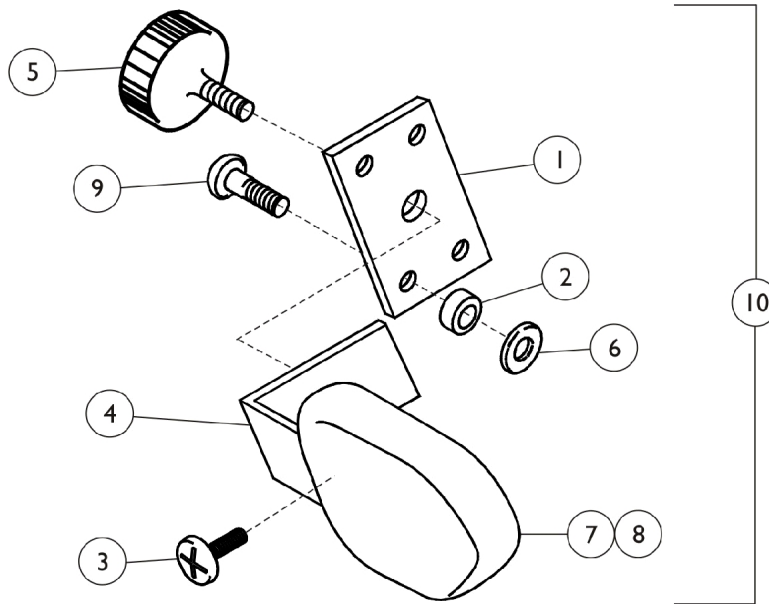
THE PRODUCTION OF THE HTR IS CURRENTLY SUSPENDED AND SOME SERVICE PARTS MAY NOT BE AVAILABLE TO ORDER.

Item Number	Note	Part Number	Description	Quantity Per	
				Package	Assembly
1		HRA18-NLA	NLA - Pad, Headrest	1	1
2		450106-25-NLA	Cover, Headrest Extension, Mauve	1	1
2		450106-26-NLA	Cover, Headrest Extension, Grotto	1	1
2		450106-27-NLA	Cover, Headrest Extension, Blueberry	1	1
3		1108143	Spacer, Nylon (3/16 x 5/16 x 5/16")	1	4
4		1013218	Washer (#10 Flat)	1	6
5	B	QC47A	Plate, Headwing - Chrome	1	1
5	C	1129545-NLA	Plate, Headwing - Grey	1	1
6	A	1108131-NLA	NLA - Screw, Phillips Pan Head (#10-24 x 1")	1	4
6		1108193-NLA	NLA - Screw, Phillips Pan Head (#10-24 x 3/4")	1	4
7		FB883	Knob, Adjustment	1	1
8	B	HRA1A	Bar, Slider, Chrome	1	1
8	C	1129514-NLA	Bar, Slider, Grey	1	1
9	D	1121008-NLA	NLA - Screw (#10-24 x 7/8")	1	2
10	B	46006925-NLA	Headrest Extension Assembly, Mauve, Chrome	1	1
10	C	1129620	Headrest Extension Assembly, Mauve, Grey	1	1
10	B	46006926-NLA	NLA - Headrest Extension Assembly, Grotto, Chrome	1	1
10	C	1129621	Headrest Extension Assembly, Grotto, Grey	1	1
10	B	46006927-NLA	Headrest Extension Assembly, Blueberry, Chrome	1	1
10	C	1129622	Headrest Extension Assembly, Blueberry, Grey	1	1

NOTE: A - Item no longer available, refer to Part #1108193.
 B - Before 1/24/05. For use on chairs with "Chrome Frame Finish."
 C - After 1/23/05. For use on chairs with "Grey Frame Finish."
 D - No Longer Available individually. See Category titled "Lateral Trunk Support" for Kit # HRA20K as replacement.

Lateral Trunk Support

THE PRODUCTION OF THE HTR IS CURRENTLY SUSPENDED AND SOME SERVICE PARTS MAY NOT BE AVAILABLE TO ORDER.



Lateral Trunk Support

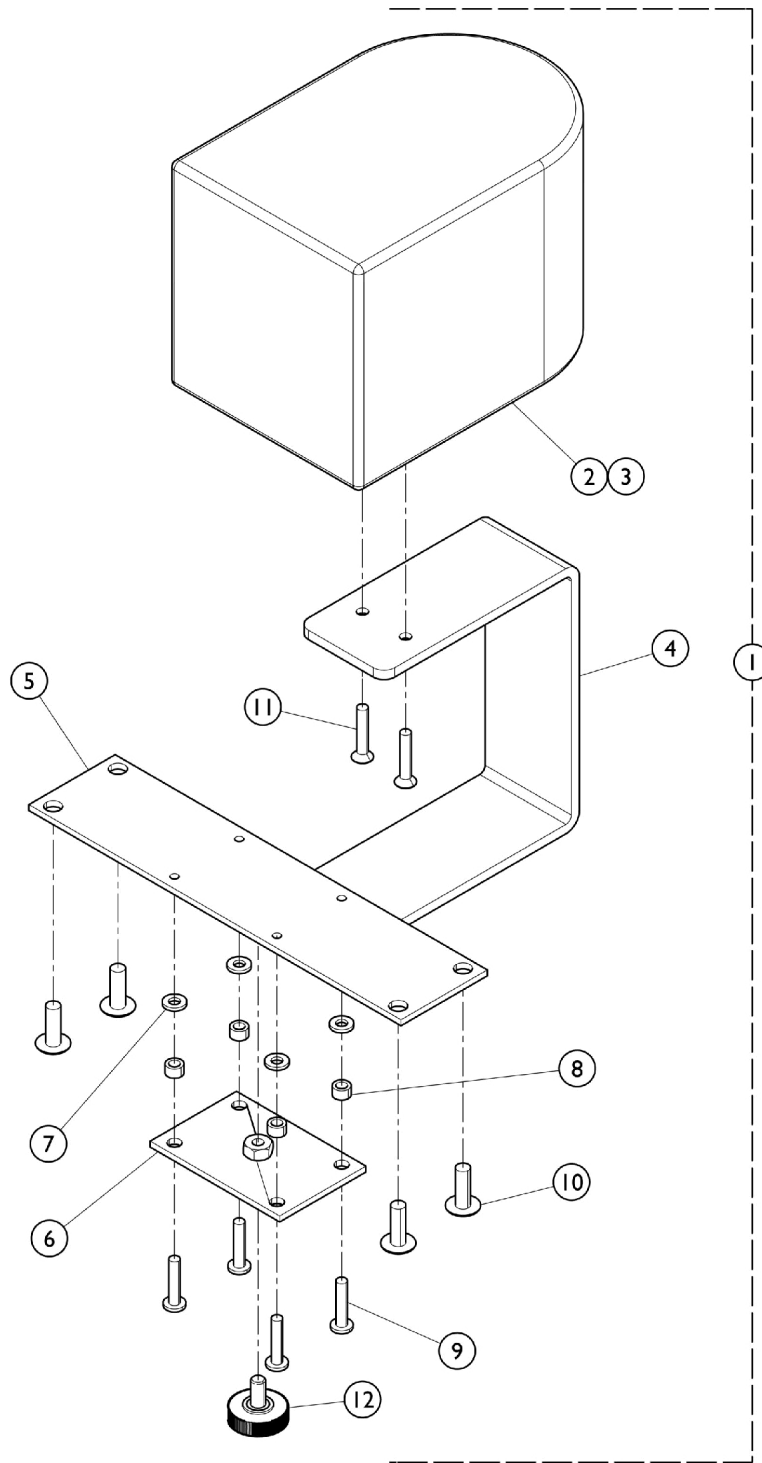
THE PRODUCTION OF THE HTR IS CURRENTLY SUSPENDED AND SOME SERVICE PARTS MAY NOT BE AVAILABLE TO ORDER.

Item Number	Note	Part Number	Description	Quantity Per	
				Package	Assembly
	A,C,E	1129626	Kit, Lateral Hardware - Grey	1	1
	A,B,D	HRA20K	Kit, Lateral Hardware - Chrome	1	1
1			Plate, Headwing - Chrome	1	1
2			Spacer, Nylon (3/16 x 5/16 x 5/16")	1	4
3			NLA - Screw (#10-24 x 7/8")	1	6
4			Bracket, "L", Chrome	1	1
5			Knob, Adjustment	1	1
6		1013218	Washer (#10 Flat)	1	4
7		450110-25-NLA	Cushion and Cover, Mauve - Right	1	1
7		450111-25-NLA	Cushion and Cover, Mauve - Left	1	1
7		450110-26-NLA	NLA - Cushion and Cover, Grotto - Right	1	1
7		450111-26-NLA	Cushion and Cover, Grotto - Left	1	1
7		450110-27-NLA	Cushion and Cover, Blueberry - Right	1	1
7		450111-27-NLA	Cushion and Cover, Blueberry - Left	1	1
8		450117-25	Cover, Lateral Support, Mauve	1	1
8		450117-26	Cover, Lateral Support, Grotto	1	1
8		450117-27-NLA	NLA - Cover, Lateral Support, Blueberry	1	1
9		1108131-NLA	NLA - Screw, Phillips Pan Head (#10-24 x 1")	1	4
9		1108193-NLA	NLA - Screw, Phillips Pan Head (#10-24 x 3/4")	1	4
10	D	1072292	Lateral Trunk Support Assembly, Mauve - Chrome	2	1
10	E	1129604	Lateral Trunk Support Assembly, Mauve - Grey	2	1
10	D	1072299	Lateral Trunk Support Assembly, Grotto - Chrome	2	1
10	E	1129609	Lateral Trunk Support Assembly, Grotto - Grey	2	1
10	D	1072300	Lateral Trunk Support Assembly, Blueberry - Chrome	2	1
10	E	1129610	Lateral Trunk Support Assembly, Blueberry - Grey	2	1

NOTE: A - Not Shown.
 B - Kit Includes Items 1-5. To be used on Chairs with Chrome Finish.
 C - Kit Includes Grey Finish Plate, Spacers, Screw, Knob and Grey Finish Bracket.
 D - Before 1/24/05. For use on chairs with "Chrome Frame Finish."
 E - After 1/23/05. For use on chairs with "Grey Frame Finish."

Abduction Pommel

THE PRODUCTION OF THE HTR IS CURRENTLY SUSPENDED AND SOME SERVICE PARTS MAY NOT BE AVAILABLE TO ORDER.



Abduction Pommel

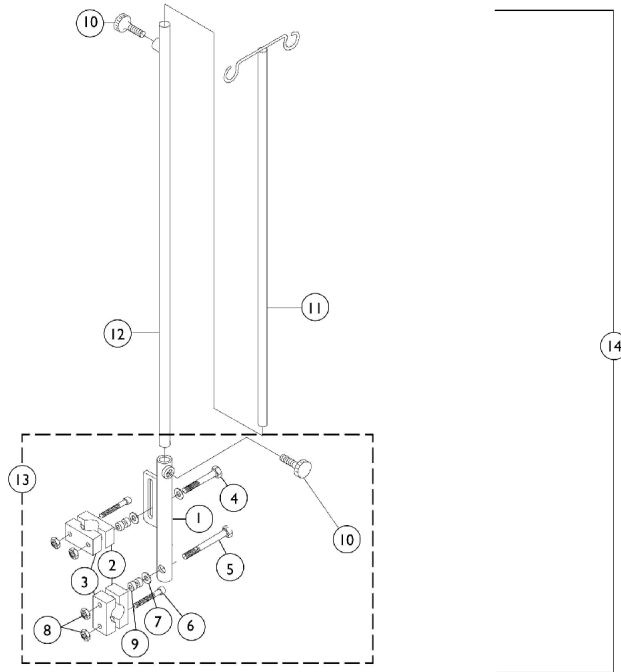
THE PRODUCTION OF THE HTR IS CURRENTLY SUSPENDED AND SOME SERVICE PARTS MAY NOT BE AVAILABLE TO ORDER.

Item Number	Note	Part Number	Description	Quantity Per	
				Package	Assembly
1	B	46007025	Abduction Pommel Assembly, Mauve - Chrome	1	1
1	B	46007026	Abduction Pommel Assembly, Grotto - Chrome	1	1
1	B	46007027	Abduction Pommel Assembly, Blueberry - Chrome	1	1
1	C	1129623	Abduction Pommel Assembly, Mauve - Grey	1	1
1	C	1129624	Abduction Pommel Assembly, Grotto - Grey	1	1
1	C	1129625	Abduction Pommel Assembly, Blueberry - Grey	1	1
2		450107-25-NLA	NLA - Cover, Abduction Pommel, Mauve	1	1
2		450107-26-NLA	NLA - Cover, Abduction Pommel, Grotto	1	1
2		450107-27-NLA	NLA - Cover, Abduction Pommel, Blueberry	1	1
3		45020525-NLA	Pommel with Cover, Mauve	1	1
3		45020526-NLA	Pommel with Cover, Grotto	1	1
3		45020527-NLA	Pommel with Cover, Blueberry	1	1
4	B	TR54011	Bracket, "U", Chrome	1	1
4	C	1125207-NLA	Bracket, "U", Grey	1	1
5	B	TR54021	Plate, Pommel Spacer - Chrome	1	1
5	C	1125208-NLA	Plate, Pommel Spacer - Grey	1	1
6	B	QC47A	Plate, Headwing - Chrome	1	1
6	C	1129545-NLA	Plate, Headwing - Grey	1	1
7		1126487	Washer, Flat Nylon (3/16 x 7/16 x 1/16")	1	4
8		1108143	Spacer, Nylon (3/16 x 5/16 x 5/16")	1	4
9	A	1108131-NLA	NLA - Screw, Phillips Pan Head (#10-24 x 1")	1	4
9	D	1121008-NLA	NLA - Screw (#10-24 x 7/8")	1	4
10		5000136	Screw, Phillips Truss Head (1/4-20 x 3/4")	1	4
11		1108140-NLA	NLA - Screw, Phillips Flat Head (#10-24 x 1")	1	2
12		FB883	Knob, Adjustment	1	1

NOTE: A - Item no longer available, refer to Part #1121008.
 B - Before 1/24/05. For use on chairs with "Chrome Frame Finish."
 C - After 1/23/05. For use on chairs with "Grey Frame Finish."
 D - No Longer Available individually. See Category titled "Lateral Trunk Support" for Kit # HRA20K as replacement.

I.V. Pole

THE PRODUCTION OF THE HTR IS CURRENTLY SUSPENDED AND SOME SERVICE PARTS MAY NOT BE AVAILABLE TO ORDER.



I.V. Pole

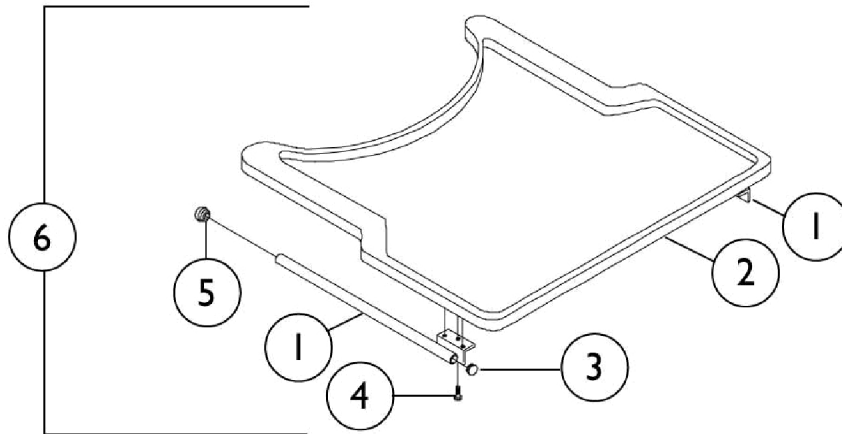
THE PRODUCTION OF THE HTR IS CURRENTLY SUSPENDED AND SOME SERVICE PARTS MAY NOT BE AVAILABLE TO ORDER.

Item Number	Note	Part Number	Description	Quantity Per	
				Package	Assembly
1	C	460065	Bracket, I.V. Pole, Chrome	1	1
1	D	1129542-NLA	Bracket, I.V. Pole, Grey	1	1
2		1072682-NLA	NLA - Clamp, Tube (1")	1	2
3		0047222-NLA	NLA - Clamp, Tube (1")	1	2
4		1025709-NLA	NLA - Screw, Hex Head (1/4-20 x 2-3/4")	1	1
5		1108125-NLA	NLA - Screw, Hex Head (1/4-20 x 3")	1	1
6		1110576-NLA	NLA - Screw (1/4-20 x 1-3/4")	1	2
7		20105X000-NLA	NLA - Washer, Flat (1/4 x 5/8 x 1/16")	1	3
8		1025736	Locknut (1/4-20)	1	4
9		WA7S-NLA	NLA - Spacer (7/16 x 3/4 x 1/4")	1	4
10		FB883	Knob, Adjustment	1	2
11	C	2121ZT-NLA	NLA - Tube, Top, Chrome	1	1
11	D	1129520-NLA	Tube, Top, Grey	1	1
12	C	2121ZB-NLA	NLA - Tube, Bottom, Chrome	1	1
12	D	1129519-NLA	Tube, Bottom, Grey	1	1
13	B,C	460064	Bracket Assembly, Chrome	1	1
13	B,D	1129600-NLA	Bracket Assembly, Grey	1	1
14	C	1072293	I.V. Pole Assembly, Adjustable, Chrome	1	1
14	D	1129605-NLA	I.V. Pole Assembly, Adjustable, Grey	1	1
	A,E	1072308-NLA	NLA - Instruction Sheet	1	1

NOTE: A - Not Shown.
 B - Includes items 2-10.
 C - Before 1/24/05. For use on chairs with "Chrome Frame Finish."
 D - After 1/23/05. For use on chairs with "Grey Frame Finish."
 E - Item is no longer available from the Invacare Service Parts Department. Refer to the Invacare Website under "Product Literature Search". Enter the part number in the "Keywords" field and download a free PDF version copy.

Lap Tray

NOTE: Due to a design change, when ordering Lap Trays for models manufactured before 4/13/00, see page titled "Arms" and order the Adjustable Height Arm Tubes also. THE PRODUCTION OF THE HTR IS CURRENTLY SUSPENDED AND SOME SERVICE PARTS MAY NOT BE AVAILABLE TO ORDER.

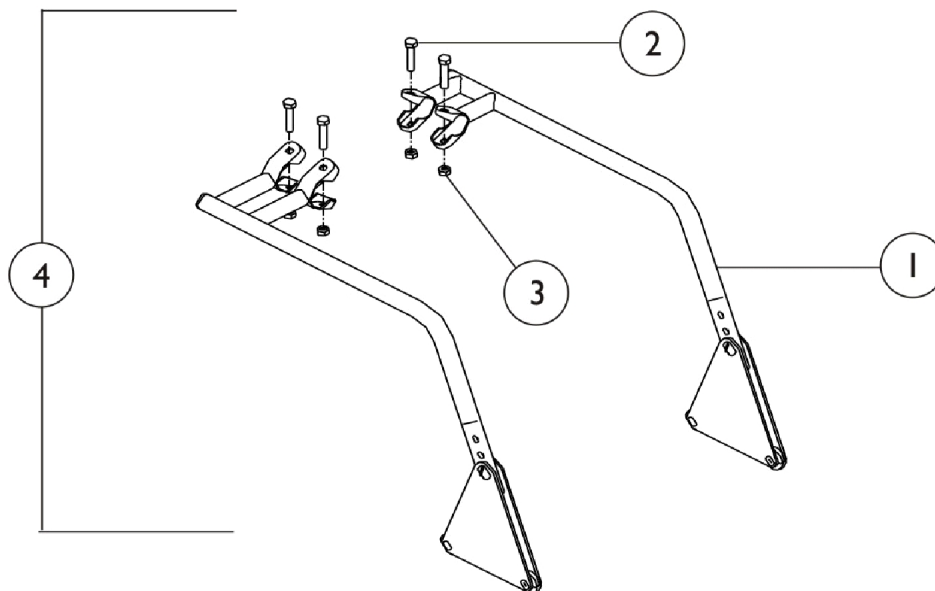


Item Number	Note	Part Number	Description	Quantity Per	
				Package	Assembly
1	A	460082-1-NLA	Rod, Tray, Chrome - Right	1	1
1	B	1129543	Rod, Tray, Grey - Right	1	1
1	A	460081-1-NLA	Rod, Tray, Chrome - Left	1	1
1	B	1129544	Rod, Tray, Grey - Left	1	1
2		350056	Tray, Lap (16")	1	1
2		350057	Tray, Lap (18")	1	1
3		1027097	Plug Button, Black (3/4")	1	2
4		1108148-NLA	NLA - Screw, Phillips Pan Head w/Patch (#10-24 x 3/8")	1	6
5		1108107-NLA	NLA - Plug Button, Dome, Black (3/4")	1	2
6	A	460087	Lap Tray Assembly, Chrome (16")	1	1
6	B	1129601	Lap Tray Assembly, Grey (16")	1	1
6	A	460088	Lap Tray Assembly, Chrome (18")	1	1
6	B	1129602	Lap Tray Assembly, Grey (18")	1	1

NOTE: A - Before 1/24/05. For use on chairs with "Chrome Frame Finish."
 B - After 1/23/05. For use on chairs with "Grey Frame Finish."

Front Anti-Tippers

THE PRODUCTION OF THE HTR IS CURRENTLY SUSPENDED AND SOME SERVICE PARTS MAY NOT BE AVAILABLE TO ORDER.

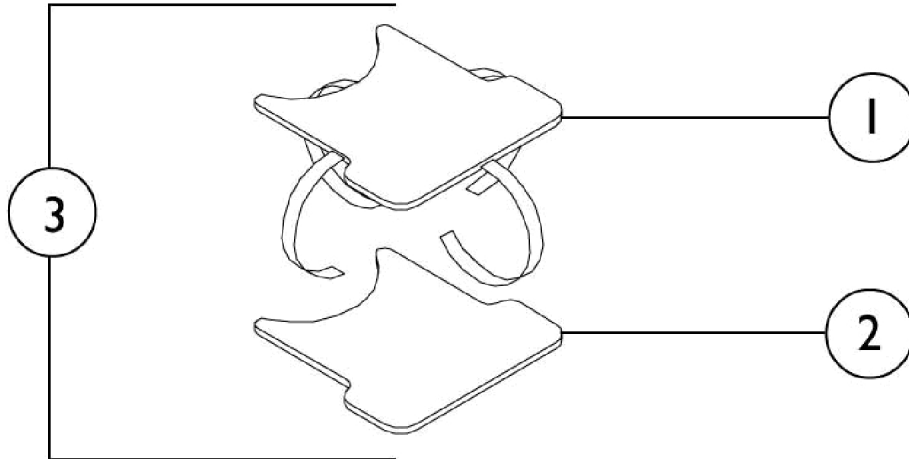


Item Number	Note	Part Number	Description	Quantity Per	
				Package	Assembly
1		460073	Kit, Anti-Tipper Assembly, Front	1	1
2			Anti-Tipper, Front	1	2
3			NLA - Screw, Hex Head (5/16-24 x 1-3/4")	1	4
4			Locknut (5/16-24)	1	4
	A	1027423	Instruction Sheet, Front - Anti-Tipper	1	1

NOTE: A - Not Shown.

Vinyl Tray Pad

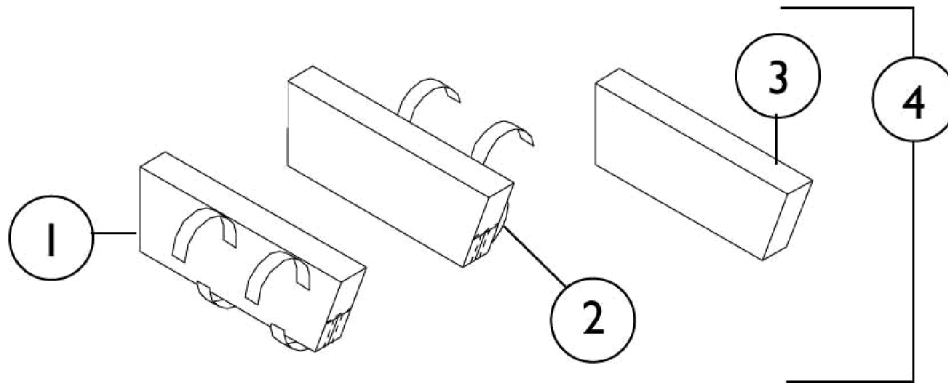
THE PRODUCTION OF THE HTR IS CURRENTLY SUSPENDED AND SOME SERVICE PARTS MAY NOT BE AVAILABLE TO ORDER.



Item Number	Note	Part Number	Description	Quantity Per	
				Package	Assembly
1		45011225-NLA	NLA - Cover, Tray, Mauve (16")	1	1
1		45011226-NLA	NLA - Cover, Tray, Grotto (16")	1	1
1		45011227-NLA	NLA - Cover, Tray, Blueberry (16")	1	1
1		45011325-NLA	NLA - Cover, Tray, Mauve (18")	1	1
1		45011326-NLA	NLA - Cover, Tray, Grotto (18")	1	1
1		45011327-NLA	NLA - Cover, Tray, Blueberry (18")	1	1
2		330008-NLA	NLA - Insert, Foam (16")	1	1
2		330009	Insert, Foam (18")	1	1
3		46007125-NLA	Vinyl Pad Assembly, Mauve (16")	1	1
3		46007126-NLA	Vinyl Pad Assembly, Grotto (16")	1	1
3		46007127-NLA	Vinyl Pad Assembly, Blueberry (16")	1	1
3		46007225	Vinyl Pad Assembly, Mauve (18")	1	1
3		46007226	Vinyl Pad Assembly, Grotto (18")	1	1
3		46007227	Vinyl Pad Assembly, Blueberry (18")	1	1

Side Bolsters

THE PRODUCTION OF THE HTR IS CURRENTLY SUSPENDED AND SOME SERVICE PARTS MAY NOT BE AVAILABLE TO ORDER.



Item Number	Note	Part Number	Description	Quantity Per	
				Package	Assembly
1		45016525-NLA	Cover, Side Bolster, Mauve - Left	1	1
1		45016526-NLA	Cover, Side Bolster, Grotto - Left	1	1
1		45016527-NLA	Cover, Side Bolster, Blueberry - Left	1	1
2		45016625-NLA	Cover, Side Bolster, Mauve - Right	1	1
2		45016626-NLA	Cover, Side Bolster, Grotto - Right	1	1
2		45016627-NLA	Cover, Side Bolster, Blueberry - Right	1	1
3		HRA10B-NLA	NLA - Foam (2")	1	2
4		45014825-NLA	Side Bolster Assembly, Mauve	2	1
4		45014826-NLA	Side Bolster Assembly, Grotto	2	1
4		45014827	Side Bolster Assembly, Blueberry	2	1

Invacare Corporation

www.invacare.com



Yes, you can.

One Invacare Way
Elyria, Oh USA
44036-2125
800-333-6900

Technical Support
800-832-4707
Florida Technical Support
407-321-5630

Customer Service
800-333-6900

© 2022 Invacare Corporation. All rights reserved. Republication, duplication or modification in whole or in part is prohibited without prior written permission from Invacare. Trademarks are identified by TM and ©. All trademarks are owned by or licensed to Invacare Corporation or its subsidiaries unless otherwise noted. (Revised 03/23/22)

Form No. 98-140