

**Orbit™
Wheelchair**



Yes, you can.

Parts Catalog Usage Guide

The information contained in this document is subject to change without notice. This catalog contains service parts for Form No. 97-190. If you have any questions regarding this catalog, please contact one of our Customer Service Representatives.

For Customer Service Support Call:

1-800-333-6900

For Faxed In Orders Call:

1-800-678-4682 or

1-440-366-0709

For Technical Service Call:

1-800-832-4707

Literature Can Be Found at:

www.invacare.com or

1-800-828-6272

SYMBOL DEFINITION

Throughout this catalog you will notice letters to draw your attention to specific footnotes which are located at the bottom of the page or below specified charts.

Examples:

A,B,C etc. = Special Comments

NOTE: = General information pertaining to that specific page

NLA = No Longer Available

HARDWARE MEASUREMENTS

The measurements for the hardware will be listed as follows:

Screws, Bolts Diameter X Thread Count/Pitch X Length

Washers Inside Diameter X Outside Diameter X Thickness

Spacers Inside Diameter X Outside Diameter X Length

For your convenience, we have supplied an area for you to list your Invacare Representatives.

| Name | Phone Numbers |
|------|---------------|
| | |
| | |
| | |
| | |
| | |

© 2022 Invacare Corporation. Elyria, Ohio. Invacare, Yes, you can., and the Medallion Design are registered trademarks and Orbit is a trademark of Invacare Corporation.

TABLE of CONTENTS

| Description | Page Number |
|--|--------------------|
| Accessories - Miscellaneous | 90 |
| Arms - "T" Arm | 26 |
| Arms - Cantilever | 23 |
| Base Frames & Hardware | 13 |
| Casters - Front and Mounting Hardware (After 6/29/11) | 37 |
| Casters - Front and Mounting Hardware (Before 7/1/11) | 35 |
| Forks & Hardware (After 6/29/11) | 33 |
| Forks & Hardware (Before 7/1/11) | 31 |
| Frame Finishes & Touch Up Paint | 4 |
| Front Riggings - Adjustable Heel Loops | 78 |
| Front Riggings - Articulating Legrest Support - ATL4A | 50 |
| Front Riggings - Bilateral Contracture Footrest | 76 |
| Front Riggings - Footrest Support Assemblies | 47 |
| Front Riggings - Legrest Calf Pads & Ratchet Assemblies | 61 |
| Front Riggings - Pivot Tube Assemblies w/ Footplates - 1651 Composite | 63 |
| Front Riggings - Pivot Tube Assemblies w/ Footplates - Adjustable Angle - AT5543 (After 5/31/03) | 71 |
| Front Riggings - Pivot Tube Assemblies w/ Footplates - Adjustable Angle - AT5543 (Before 6/1/03) | 67 |
| Front Riggings - Ratchet Style Legrest Support - AT5044 (Before 9/21/05) | 53 |
| Front Riggings - Wedge Style Legrest Support Assembly - AT5044 (Intro. 9/21/05) | 56 |
| Handrims & Handrim Hardware | 40 |
| Handrims & Handrim Hardware - Natural Fit LT | 41 |

TABLE of CONTENTS

| Description | Page Number |
|--|--------------------|
| Headtube & Axle Mounting Plate - Attaching Hardware | 29 |
| Packaging - Literature - Decals | 6 |
| Recliner Back Assembly | 20 |
| Recliner Upholstery & Reclining Back Kits | 22 |
| Seat Frame Assembly & Back Canes | 8 |
| Seat Pans | 11 |
| Seat Pivot & Lower Seat Plate Assembly | 16 |
| Stroller Handles - 1483 | 88 |
| Stroller Handles - Adjustable Angle - Inside Mount (After 5/29/08) | 86 |
| Stroller Handles - Adjustable Angle - Outside Mount (After 5/29/08) | 84 |
| Stroller Handles - Adjustable Angle Ridigizing (AASH) (Before 5/30/08) | 82 |
| Tilt Mechanism | 18 |
| Vent Tray Assembly | 80 |
| Wheel Locks - Attendant Operated | 43 |
| Wheel Locks - High Mount | 45 |
| Wheels - Rear - Composite | 39 |

Frame Finishes & Touch Up Paint

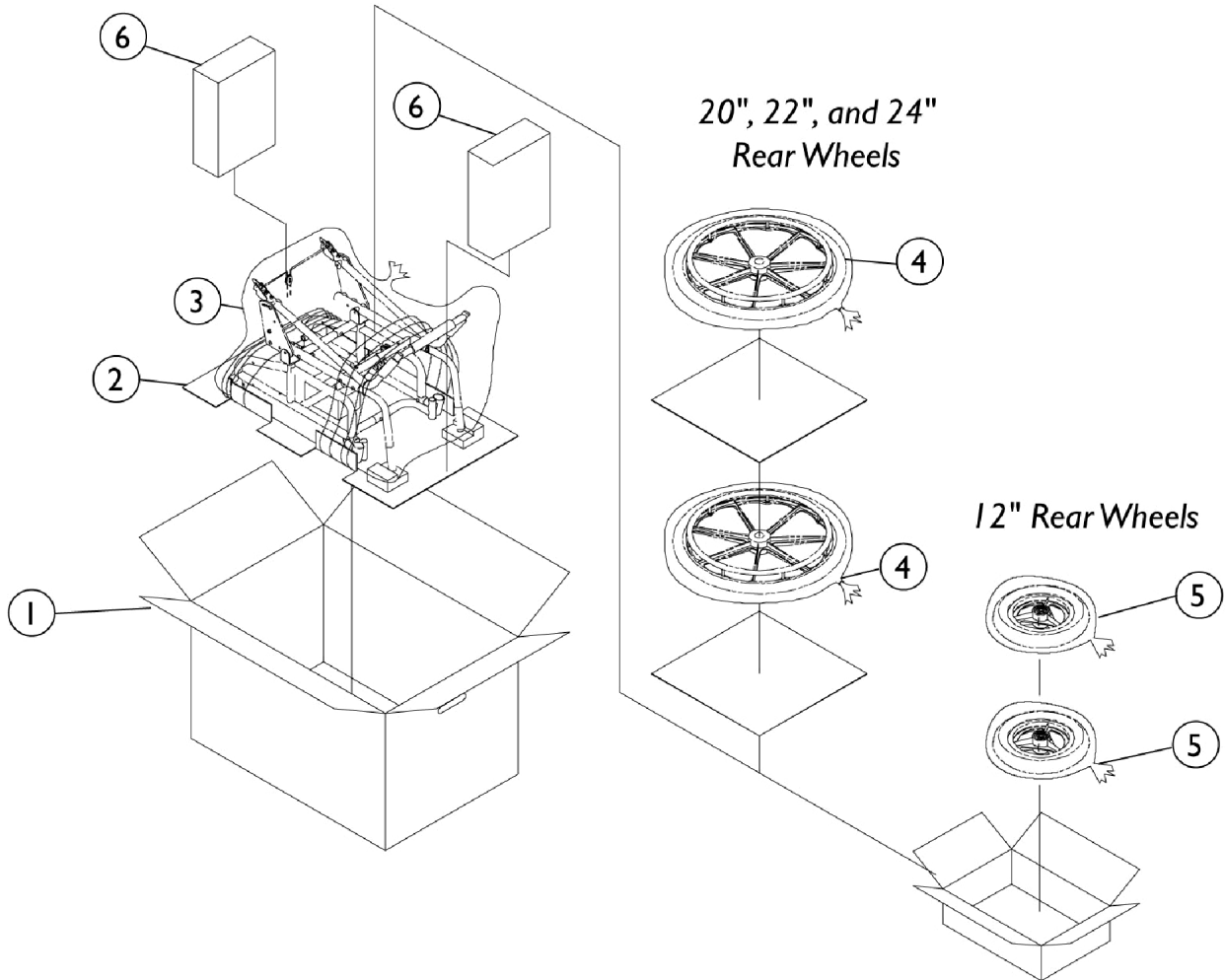
| Contemporary Color Numbers | Touch-Up Paint (.6 oz.) | Color |
|----------------------------|-------------------------|-----------------------|
| 22P | 1033376-NLA | Anthracite |
| 115P | 1133371-NLA | Black Prism |
| 102P | 1101327-NLA | Denim Blue |
| 66P | 1046322-NLA | Electric Purple |
| 80P | 1073892-NLA | Evergreen with Navy |
| 101P | 1101325-NLA | Jeweled Green |
| 84P | 1073896-NLA | Lavender |
| 105P | 1101326-NLA | Midnight Blue |
| 103P | 1101324-NLA | Mocha Frost |
| 33P | 1031455-NLA | Red |
| 83P | 1073895-NLA | Royal Blue with Grape |
| 60P | 1101318-NLA | Silver Metallic |
| 71P | N/A | Silver Vein |
| 24P | 1031450-NLA | Wet Black |
| 29P | 1031447-NLA | White |
| Too Hot Color Numbers | Touch-Up Paint (.6 oz.) | Color |
| 119P | 1133375-NLA | Bubblegum Pink |
| 61P | 1046321-NLA | Electric Red |
| 118P | 1133374-NLA | Fruit Fusion |
| 120P | 1133376-NLA | Grape Madness |
| 116P | 1133372-NLA | Sunkissed Orange |
| 30P | 1074167-NLA | Sunny Yellow |
| 117P | 1133373-NLA | Tangerine Red |
| Way Cool Color Numbers | Touch-Up Paint (.6 oz.) | Color |
| 123P | 1133379-NLA | Celestial Purple |
| 122P | 1133378-NLA | Cosmic Blue |
| 62P | 1046320-NLA | Electric Blue |
| 79P | 1101316-NLA | Electric Teal |
| 125P | 1133381-NLA | Emerald Green |
| 127P | 1133383-NLA | Grasshopper Green |
| 121P | 1133377-NLA | Lolly Pop Blue |
| 126P | 1133382-NLA | Shamrock Green |
| 124P | 1133380-NLA | Vivid Violet |

Frame Finishes & Touch Up Paint

Sparkle Frame Finishes

| Part Number | Color |
|-------------|------------------------------|
| 72P | Black w/Twilight Sparkle |
| 73P | Black w/Gold Sparkle |
| 74P | Black w/Green Sparkle |
| 75P | Black w/Blue Sparkle |
| 76P | Black w/Red Sparkle |
| 88P | Wet Black w/Twilight Sparkle |

Packaging - Literature - Decals

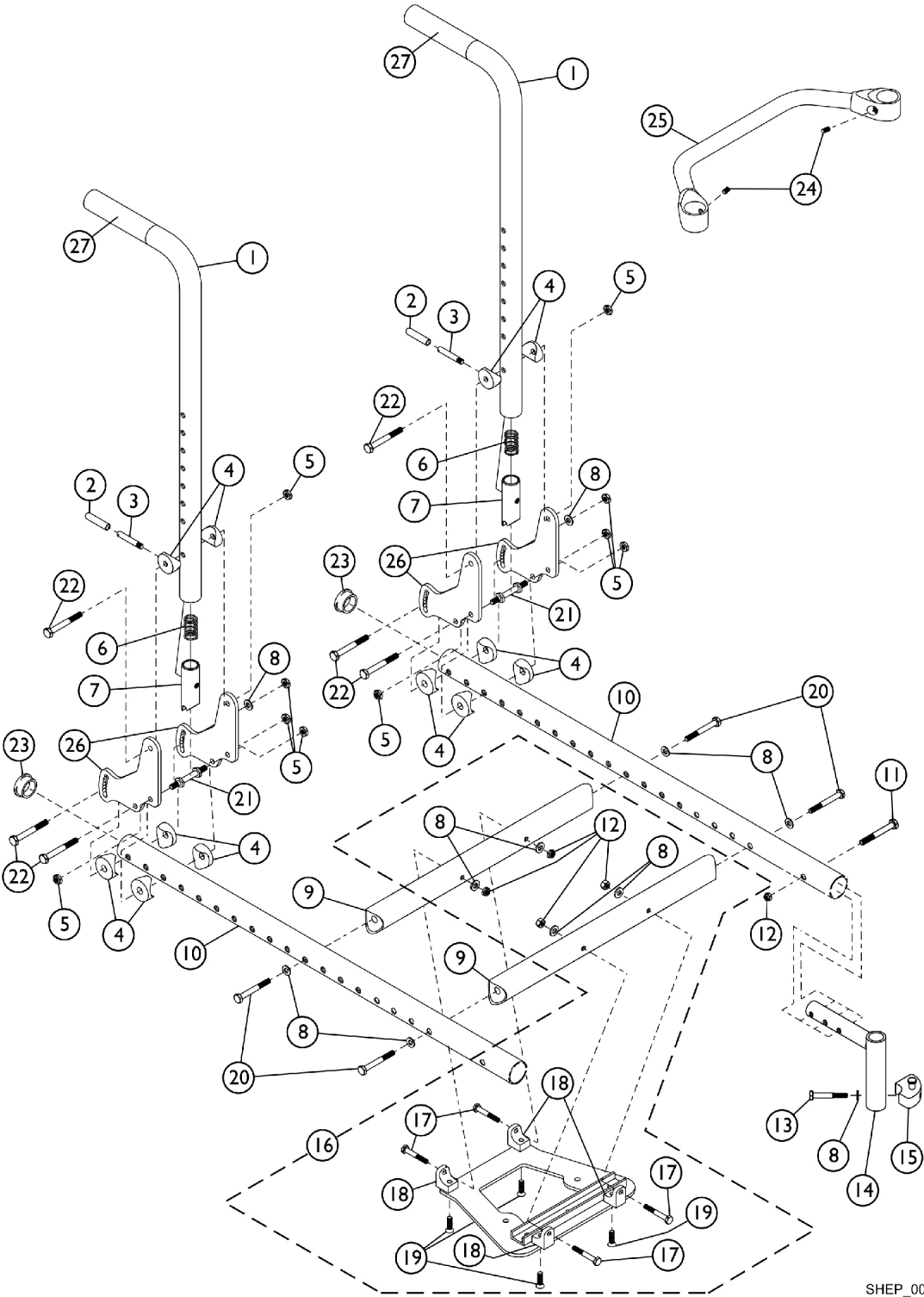


Packaging - Literature - Decals

| Item Number | Note | Part Number | Description | Quantity Per | |
|---|------|---------------|-----------------------------------|--------------|----------|
| | | | | Package | Assembly |
| 1 | | 1045583-NLA | NLA - Carton, Shipper | 1 | 1 |
| 2 | | 1049222-NLA | NLA - Insert, Bottom Pad | 1 | 1 |
| 3 | | 1015592 | Bag, Poly (72" L x 35" W x 19" D) | 1 | 1 |
| 4 | A | 1026111-NLA | NLA - Bag, Poly | 1 | 2 |
| 5 | B | 1021866-NLA | NLA - Bag, Poly (26" L x 15" W) | 1 | 1 |
| 6 | | 40131X011-NLA | NLA - Carton, Front Riggings | 1 | 2 |
| | C | 1073955 | Owner's Manual | 1 | 1 |
| | C | 1073845-NLA | NLA - Decal, Black - Orbit | 1 | 1 |
| | C | 1074077-NLA | NLA - Decal, White - Orbit | 1 | 1 |
| | C | 1095497 | Decal, Invacare Logo (1.6) | 1 | 1 |
| | C | 1120033-NLA | NLA - Decal, Warning | 1 | 1 |
| | C | 1035900 | Decal, Transportation | 1 | 1 |
| | C | See Chart | Packaging, Literature, and Decals | 1 | 1 |
| NOTE: A - 20", 22", and 24" Rear Wheels B - 12" Rear Wheels C - Not Shown | | | | | |

When adjusting or replacing parts please refer to your Owner's Manual for assistance.

Seat Frame Assembly & Back Canes



SHEP_004A

Seat Frame Assembly & Back Canes

| Item Number | Note | Part Number | Description | Quantity Per | | |
|-------------|-----------|--------------------------------|--|---|----------|---|
| | | | | Package | Assembly | |
| 1 | A | 1059249 | Cane, Back, Fixed Height, Black - Right/Left (20" H) | 1 | 2 | |
| 2 | | 1059271 | Tip, Plastic, Black | 1 | 2 | |
| 3 | | 1058545 | Lever, Actuator | 1 | 2 | |
| 4 | | 40157X020 | Spacer, Coved (1/4 x 1 x 9/16") | 1 | 12 | |
| 5 | | 1065362 | Locknut (1/4-28) | 1 | 10 | |
| 6 | | 1011511 | Spring, Compression (5/8 x 1 x 3/64") | 1 | 2 | |
| 7 | | 1058232 | Plug, Latch | 1 | 2 | |
| 8 | | 1026907 | Washer (1/4 x 1/2 x 1/16") | 1 | 12 | |
| 9 | | See Chart | Item #9 Crossmember | 1 | 2 | |
| 10 | | 1082508 | Rail, Seat, Black - Right | 1 | 1 | |
| 10 | | 1082509 | Rail, Seat, Black - Left | 1 | 1 | |
| 11 | | 1074640 | Screw, Allen Head (1/4-28 x 1-1/4") | 1 | 2 | |
| 12 | | 1025765 | Locknut (1/4-28) | 1 | 6 | |
| 13 | | 1052957 | Screw, Hex Head w/ Patch (1/4-20 x 2") | 1 | 2 | |
| 14 | | 1086389 | Tube, Support, Front Rigging Hanger, Black - Right | 1 | 1 | |
| 14 | | 1086390 | Tube, Support, Front Rigging Hanger, Black - Left | 1 | 1 | |
| 15 | | 1054571 | Kit, Sector Block - Right | 1 | 1 | |
| 15 | | 1054572 | Kit, Sector Block - Left | 1 | 1 | |
| 16 | | B | 1073711 | Upper Seat Plate Assembly and Mounting Hardware | 1 | 1 |
| 17 | | | 1055347-NLA | NLA - Screw, Hex Head (1/4-28 x 1-1/2") | 1 | 4 |
| 18 | | | 1071982 | Bracket, L, Black | 1 | 4 |
| 19 | | | 1074191-NLA | NLA - Screw, Socket Flat Head (1/4-28 x 1/2") | 1 | 4 |
| 20 | | | 1055348 | Screw, Hex Head (1/4-28 x 1-3/4") | 1 | 4 |
| 21 | | | 1059127 | Pin, Locking | 1 | 2 |
| 22 | | | 1055349 | Screw, Hex Head (1/4-28 x 2") | 1 | 6 |
| 23 | | | 1027095 | Plug Button, Black (7/8") | 1 | 2 |
| 24 | | | 1045495-NLA | NLA - Screw, Set Socket (1/4-20 x 1/4") | 1 | 2 |
| 25 | See Chart | | Item #25 Spreader Bar | 1 | 1 | |
| 26 | 1059109 | | Plate, Backrest Mounting | 1 | 4 | |
| 27 | 1061484 | Grip, Handle, Foam, Black (5") | 1 | 2 | | |
| | See Chart | Growth Kits | 1 | 1 | | |

NOTE: A - Item #27 Foam Handle Grip is not included.
 B - Includes the Upper Seat Plate Assembly and items 8, 12 and 17-19.

Seat Frame Assembly & Back Canes

Item #9 Crossmember

| 10" Wide | 11" Wide | 12" Wide | 13" Wide | 14" Wide | 15" Wide | 16" Wide |
|-------------|-------------|-------------|-------------|-------------|-------------|-------------|
| 1058329-NLA | 1058330-NLA | 1058331 | 1058332-NLA | 1058333 | 1058334 | 1058335 |

Item #25 Spreader Bar

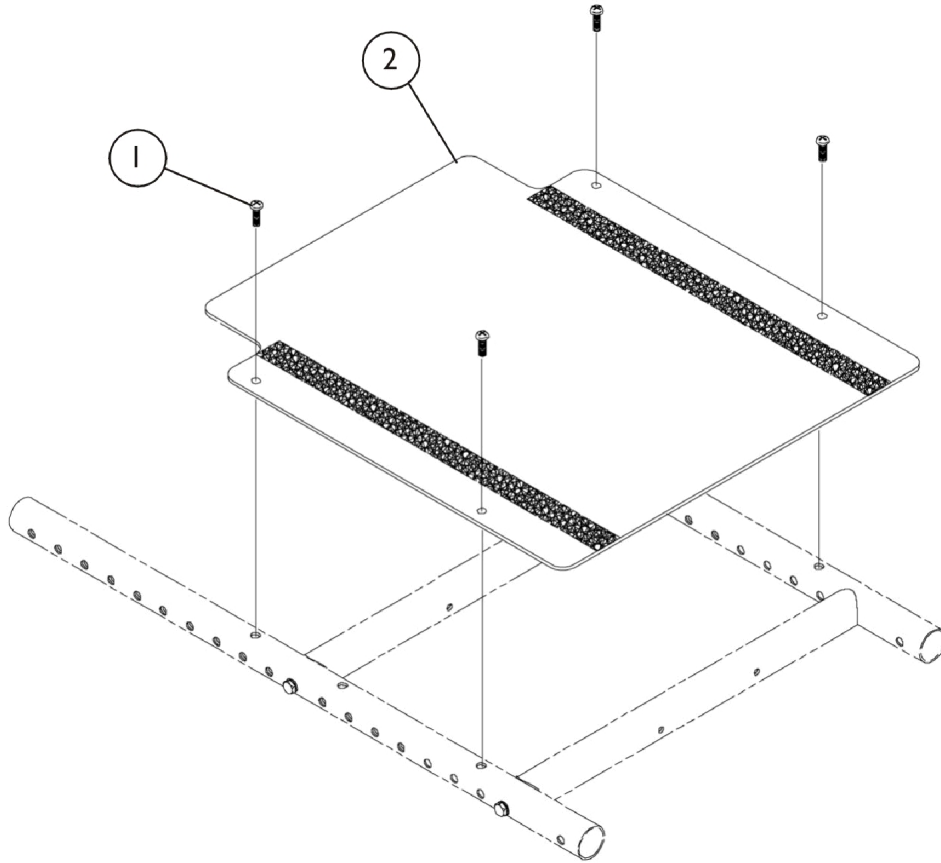
| 10" Wide | 11" Wide | 12" Wide | 13" Wide | 14" Wide | 15" Wide | 16" Wide |
|-------------|-------------|-------------|-------------|-------------|-------------|-------------|
| 1042506-NLA | 1042507-NLA | 1042508-NLA | 1042509-NLA | 1042510 | 1042511 | 1042512 |

Growth Kits

Desired Chair Widths Shown - A Growth Kit contains items 8, 9, 20, 24, and 25. A Spreader Bar, Stroller Handles, Footplates, and Wheel Lock Extensions may also be needed.

| 10" Wide | 11" Wide | 12" Wide | 13" Wide | 14" Wide | 15" Wide | 16" Wide |
|-------------|-------------|-------------|-------------|-------------|-------------|-------------|
| 1073863-NLA | 1073864-NLA | 1073865 | 1073866 | 1073867-NLA | 1073868-NLA | 1073869 |

Seat Pans



| Item Number | Note | Part Number | Description | Quantity Per | |
|-------------|------|-------------|---|--------------|----------|
| | | | | Package | Assembly |
| 1 | A | 1008495 | Screw, Socket Button Head (1/4-20 x 1-1/2") | 1 | 4 |
| | | 1025195 | Locknut (1/4-20) | 1 | 4 |
| 2 | | See Chart | #2 Seat Pans | 1 | 1 |

NOTE: A - Not Shown

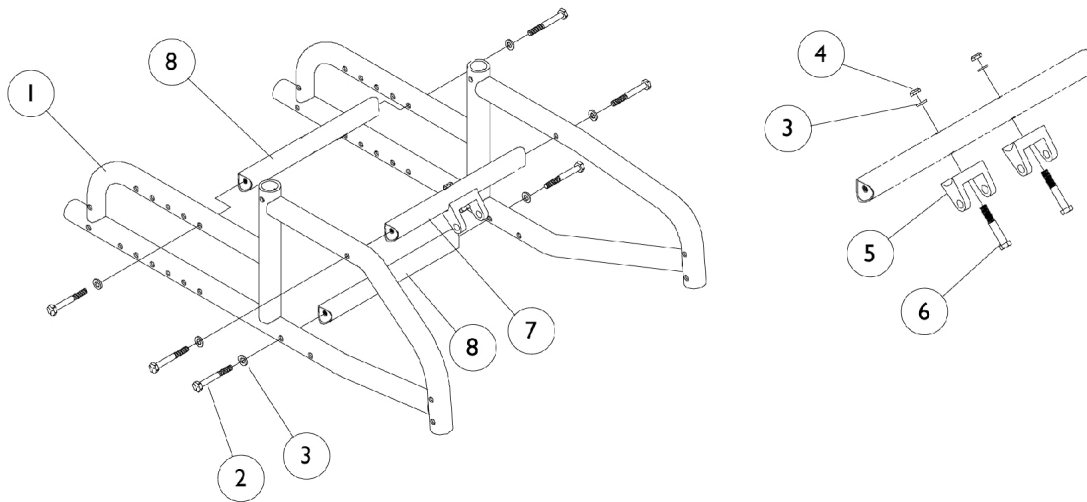
#2 Seat Pans

Seat Pans

#2 Seat Pans

| Seat Depth | 10" Wide | 11" Wide | 12" Wide | 13" Wide | 14" Wide | 15" Wide | 16" Wide |
|------------|----------|----------|-------------|----------|----------|-------------|----------|
| 10-13" | 1071198 | 1071199 | 1073589 | 1073590 | 1073591 | 1073592 | 1073593 |
| 14-16" | 1073594 | 1073595 | 1073596-NLA | 1073597 | 1073598 | 1073599-NLA | 1073600 |

Base Frames & Hardware



Base Frames & Hardware

| Item Number | Note | Part Number | Description | Quantity Per | |
|-------------|------|--------------------|--|--------------|----------|
| | | | | Package | Assembly |
| 1 | A | 8881069533-NL A | NLA - Frame, Standard, Color - Right (24" L) | 1 | 1 |
| 1 | A | 8881069534-NL A | NLA - Frame, Standard, Color - Left (24" L) | 1 | 1 |
| 1 | A | 8881069535-NL A | NLA - Frame, Large, Color - Right (28" L) | 1 | 1 |
| 1 | A | 8881069536-NL A | NLA - Frame, Large, Color - Left (28" L) | 1 | 1 |
| 2 | | 1055348 | Screw, Hex Head (1/4-28 x 1-3/4") | 1 | 6 |
| 3 | | 1026907 | Washer (1/4 x 1/2 x 1/16") | 1 | 8 |
| 4 | | 1025765 | Locknut (1/4-28) | 1 | 2 |
| 5 | | 1071841-NLA | NLA - Bracket, Cylinder Mounting, Black | 1 | 2 |
| 6 | | 1055347-NLA | NLA - Screw, Hex Head (1/4-28 x 1-1/2") | 1 | 4 |
| 7 | | See Chart | #7 Crossmember | 1 | 1 |
| 8 | | See Chart | #8 Crossmember | 1 | 1 |
| | B | See Chart | Growth Kits | 1 | 1 |

NOTE: A - Specify frame color when ordering.
B - Includes items 2, 3, 7 and 8.

#7 Crossmember

| 10" Wide | 11" Wide | 12" Wide | 13" Wide | 14" Wide | 15" Wide | 16" Wide |
|----------|----------|----------|----------|----------|----------|-------------|
| 1071183 | 1071184 | 1071185 | 1071186 | 1071187 | 1071188 | 1071189-NLA |

#8 Crossmember

| 10" Wide | 11" Wide | 12" Wide | 13" Wide | 14" Wide | 15" Wide | 16" Wide |
|-------------|-------------|----------|-------------|----------|----------|----------|
| 1058329-NLA | 1058330-NLA | 1058331 | 1058332-NLA | 1058333 | 1058334 | 1058335 |

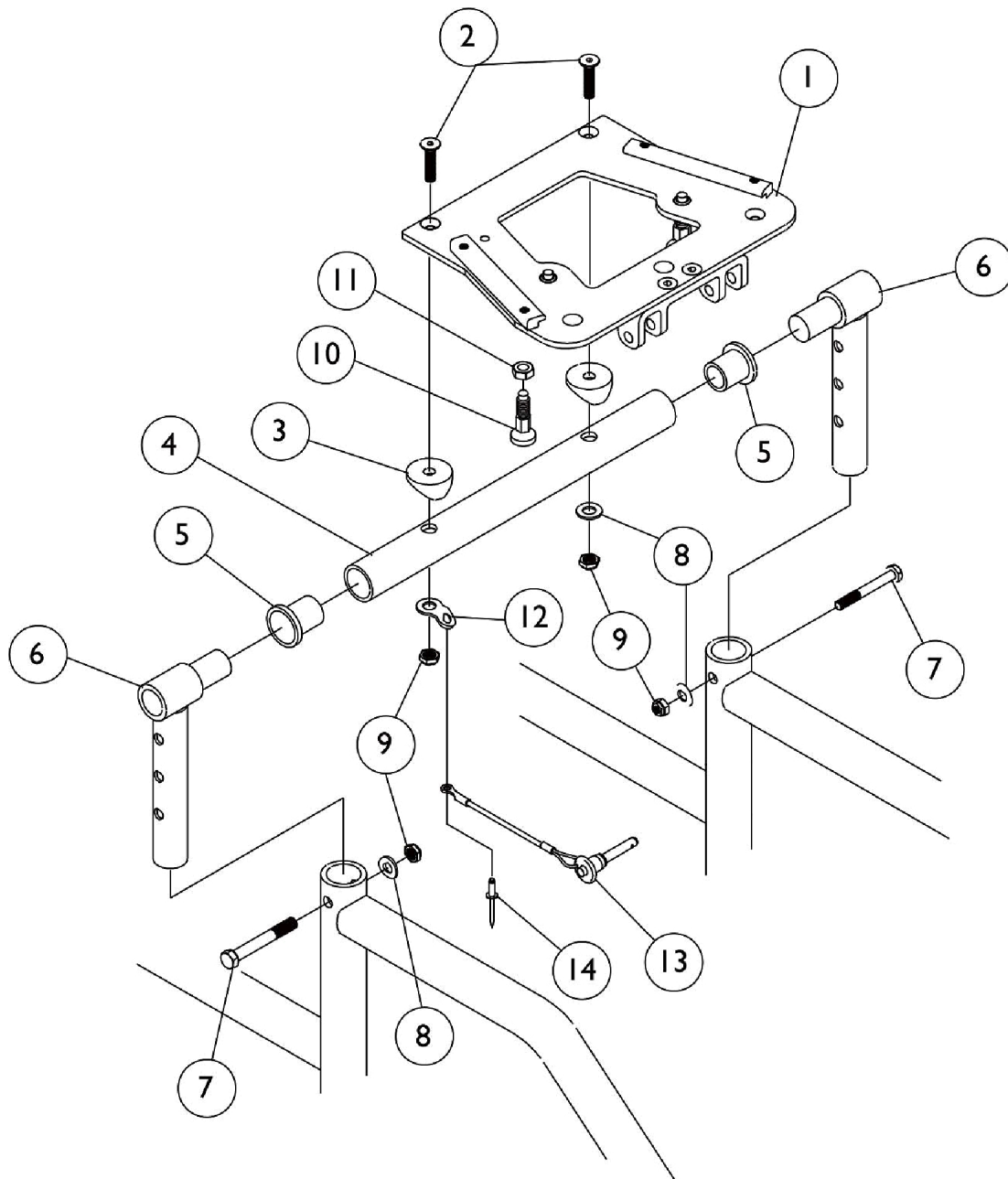
Growth Kits

Desired Chair Width Shown - Growth kits contain items 2,3,7,8 along with the required Seat Pivot Crossmember and Hardware. A Spreader Bar, Stroller Handles, Footplates, and Wheel Lock Extensions may also be needed.

| 10" Wide | 11" Wide | 12" Wide | 13" Wide | 14" Wide | 15" Wide | 16" Wide |
|-------------|-------------|----------|----------|----------|----------|----------|
| 1076267-NLA | 1076268-NLA | 1076269 | 1076270 | 1076271 | 1076272 | 1076273 |

Base Frames & Hardware

Seat Pivot & Lower Seat Plate Assembly



Seat Pivot & Lower Seat Plate Assembly

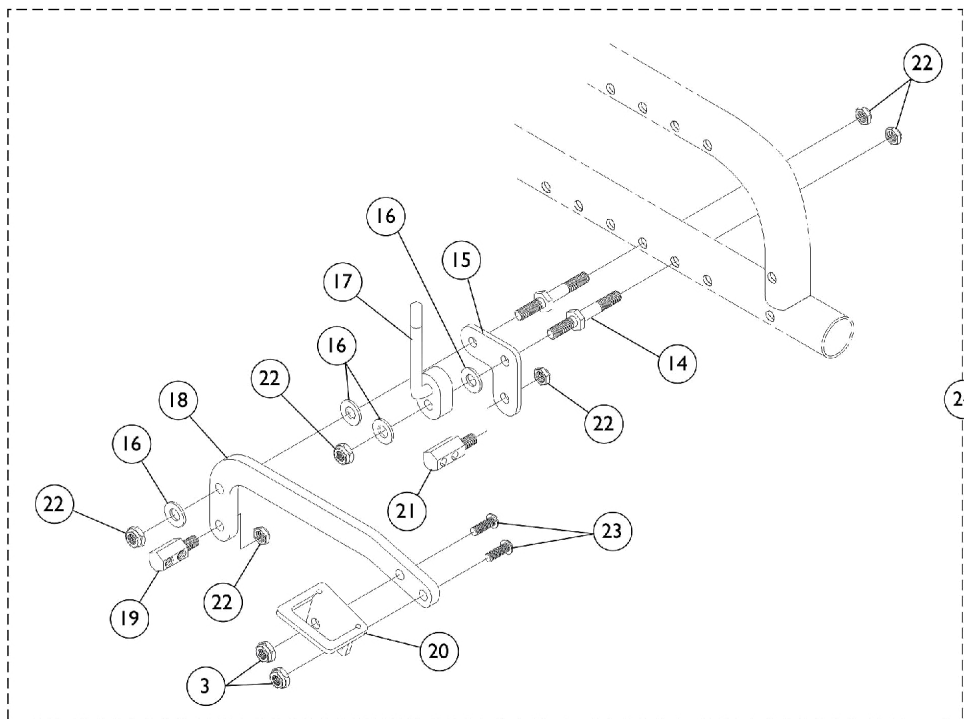
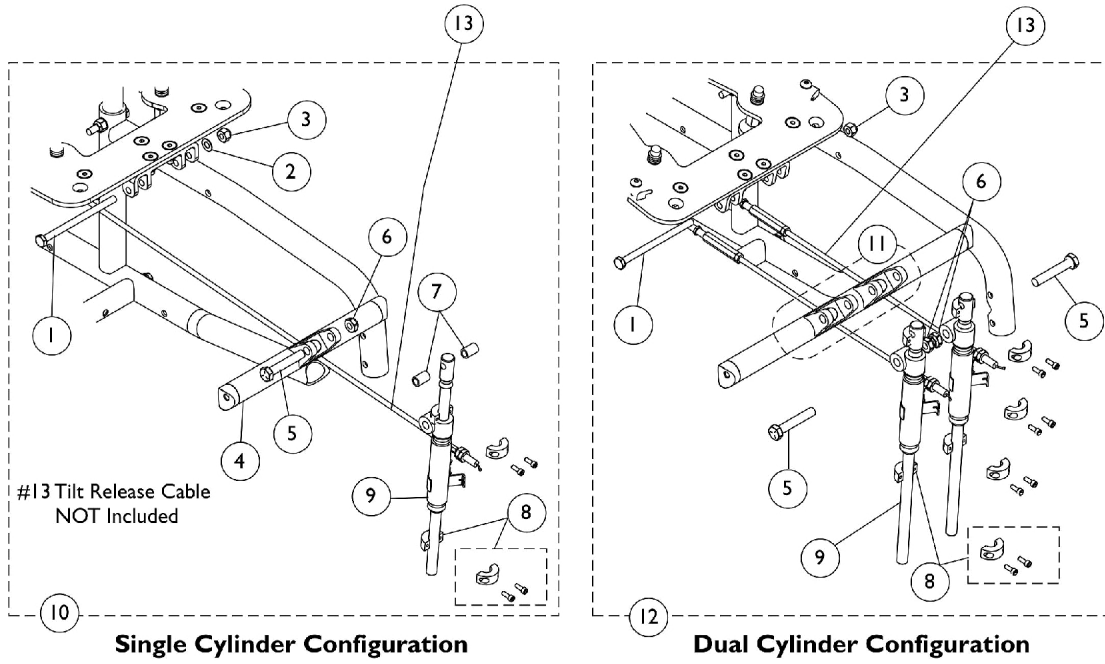
| Item Number | Note | Part Number | Description | Quantity Per | |
|-------------|------|---------------|--|--------------|----------|
| | | | | Package | Assembly |
| 1 | A | 1073713 | Plate, Seat, Lower | 1 | 1 |
| 2 | | 1055332-NLA | NLA - Screw, Socket Flat Head (1/4 -28 x 1-3/4") | 1 | 2 |
| 3 | | 1026099 | Spacer, Coved (1/4 x 11/16 x 1/2") | 1 | 2 |
| 4 | | See Chart | #4 Pivot Crossmember | 1 | 1 |
| 5 | | 1071166-NLA | NLA - Bushing, Pivot | 1 | 2 |
| 6 | | 1071162-NLA | NLA - Pivot, Seat Frame | 1 | 2 |
| 7 | | 1055310-NLA | NLA - Screw, Hex Head (1/4-28 x 1-1/4") | 1 | 2 |
| 8 | | 1002104-NLA | NLA - Washer, Flat (1/4 x 1/2 x 1/16") | 1 | 3 |
| 9 | | 1065362 | Locknut (1/4-28) | 1 | 2 |
| 10 | | 1080085-NLA | NLA - Pin, Spring Loaded Plunger | 1 | 2 |
| 11 | | 1073708-NLA | NLA - Nut, Hex Jam (1/2-13) | 1 | 2 |
| 12 | | 1026903-NLA | NLA - Tab, Tie Down | 1 | 1 |
| 13 | | 1045470 | Pin, Quick Release with Lanyard | 1 | 1 |
| 14 | | 16348X000-NLA | NLA - Rivet (3/16 x 7/16") | 1 | 1 |

NOTE: A - Includes Items 10 and 11

#4 Pivot Crossmember

| 10" Wide | 11" Wide | 12" Wide | 13" Wide | 14" Wide | 15" Wide | 16" Wide |
|-------------|-------------|-------------|-------------|-------------|-------------|-------------|
| 1073572-NLA | 1073573-NLA | 1073574-NLA | 1073575-NLA | 1073576-NLA | 1073577-NLA | 1073578-NLA |

Tilt Mechanism



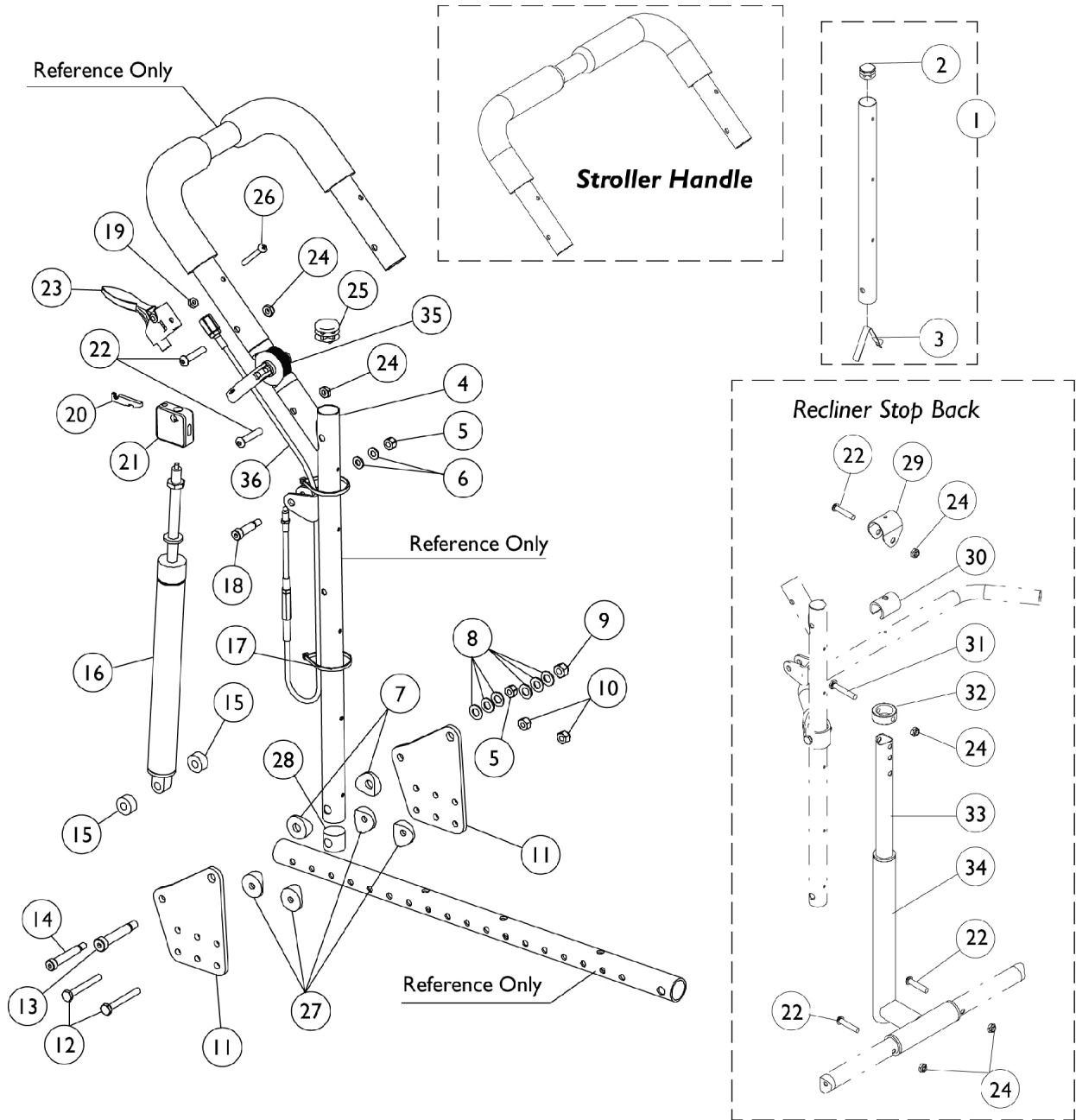
Tilt Foot Lever

Tilt Mechanism

| Item Number | Note | Part Number | Description | Quantity Per | |
|-------------|------|-------------|---|--------------|----------|
| | | | | Package | Assembly |
| 1 | | 1071165-NLA | NLA - Screw, Hex Head (1/4-28 x 3-3/4") | 1 | 1 |
| 2 | | 1002104-NLA | NLA - Washer, Flat (1/4 x 1/2 x 1/16") | 1 | 1 |
| 3 | A | 1065362 | Locknut (1/4-28) | 1 | 2 |
| 4 | | 1071842-NLA | NLA - Bracket, Cylinder Mounting, Black (Single Cylinder) | 1 | 2 |
| 5 | | 1044939-NLA | NLA - Screw, Hex Head (5/16-18 x 1-3/4") | 1 | 2 |
| 6 | B | 1028769 | Locknut (5/16-18) | 1 | 2 |
| 7 | | 1073897-NLA | NLA - Spacer (1/4 x 3/8 x 9/16") | 1 | 2 |
| 8 | B | 1073707 | Clamp, Cylinder with Screws | 1 | 4 |
| 9 | B | 1037658 | Cylinder, Lock, Silver - Left | 1 | 2 |
| 10 | C | 1073709 | Single Cylinder Tilt Assembly | 1 | 1 |
| 11 | G | 1071979-NLA | NLA - Kit, Cylinder Mounting Bracket Hardware - Dual Cylinder | 1 | 1 |
| 12 | D | 1073710 | Dual Cylinder Tilt Assembly | 1 | 1 |
| 13 | E | 1073876 | Cable, Tilt Release | 1 | 1 |
| 14 | | 1073837-NLA | NLA - Pin, Locking | 1 | 2 |
| 15 | | 1072026-NLA | NLA - Plate, Mounting | 1 | 1 |
| 16 | | 1026103 | Washer, Nylon (1/4 x 1/2 x 1/32") | 1 | 4 |
| 17 | | 1076398-NLA | NLA - Foot Lever Lock Assembly, Black | 1 | 1 |
| 18 | | 1072027-NLA | NLA - Bracket, Foot Pedal, Black | 1 | 1 |
| 19 | | 1074778-NLA | NLA - Bolt, Cable (Front) | 1 | 1 |
| 20 | | 1072025-NLA | NLA - Pedal, Foot, Black | 1 | 1 |
| 21 | | 1082617-NLA | NLA - Bolt, Cable (Rear) | 1 | 1 |
| 22 | | 1025765 | Locknut (1/4-28) | 1 | 6 |
| 23 | | 1055305-NLA | NLA - Screw, Socket Button Head (1/4-28 x 3/4") | 1 | 2 |
| 24 | F | 1071169-NLA | NLA - Tilt Foot Lever Assembly | 1 | 1 |

NOTE: A - 1 ea. required for items 10 and 12. 2 ea. required for item 24.
 B - Quantity per assembly figures shown are for the Dual Cylinder configuration. Refer to image for quantities on Single Cylinder configuration.
 C - Includes items 1-9. Does not include item 13.
 D - Includes items 1,3,5,6,8,9, and 11. Does not include item 13.
 E - Not included with items 10 or 12.
 F - Includes items 3, 14-23.
 G - Includes 2 ea. Screws (1/4-28 x 1-1/2"), 2 ea. Cylinder Brackets, 2 ea. Washers, and 2 ea. Locknuts (1/4-28).

Recliner Back Assembly



Recliner Back Assembly

| Item Number | Note | Part Number | Description | Quantity Per | |
|-------------|------|-------------|--|--------------|----------|
| | | | | Package | Assembly |
| 1 | | 1070998 | Headrest Extension Tube Assembly, Black - Right | 1 | 1 |
| 1 | | 1070999 | Headrest Extension Tube Assembly, Black - Left | 1 | 1 |
| 2 | | 1027095 | Plug Button, Black (7/8") | 1 | 2 |
| 3 | | 1024713 | Spring, Torsion w/ Button | 1 | 2 |
| 4 | | 1076527-NLA | NLA - Cane, Back, Recliner, Black - Right | 1 | 1 |
| 4 | | 1076528-NLA | NLA - Cane, Back, Recliner, Black - Left | 1 | 1 |
| 5 | | 1025736 | Locknut (1/4-20) | 1 | 4 |
| 6 | | 1026907 | Washer (1/4 x 1/2 x 1/16") | 1 | 4 |
| 7 | | 1071729-NLA | NLA - Spacer, Coved (3/8 x 1 x 9/16") | 1 | 4 |
| 8 | | 1025704 | Washer, Flat (5/16 x 5/8 x 1/16") | 1 | 12 |
| 9 | | 1026158 | Locknut (5/16-18) | 1 | 2 |
| 10 | | 1065362 | Locknut (1/4-28) | 1 | 4 |
| 11 | | 1071739-NLA | NLA - Bracket, Recliner, Black | 1 | 4 |
| 12 | | 1055349 | Screw, Hex Head (1/4-28 x 2") | 1 | 4 |
| 13 | | 1071737-NLA | NLA - Screw, Shoulder Hex Socket Head (3/8" x 1-5/8", 5/16-18) | 1 | 2 |
| 14 | | 1071736 | Screw, Shoulder Hex Socket Head (5/16" x 1-5/8", 1/4-20) | 1 | 2 |
| 15 | | 1069736-NLA | NLA - Bushing (3/8") | 1 | 4 |
| 16 | | 1076526 | Cylinder, Recliner | 1 | 2 |
| 17 | | 1021260 | Tie Wrap (5-5/8" L) | 1 | 4 |
| 18 | | 1050153 | Screw, Shoulder Hex Socket Head (5/16 x 7/8", 1/4-20) | 1 | 2 |
| 19 | | 1025735 | Locknut (#10-32) | 1 | 2 |
| 20 | | 1071735 | Lever, Cylinder Release | 1 | 2 |
| 21 | | 1071718 | Bracket, Cylinder Release, Black | 1 | 2 |
| 22 | | 1055309 | Screw, Socket Button Head (1/4-28 x 1-1/4") | 1 | 7 |
| 23 | | 1078318 | Handle, Cable Release, Black | 1 | 2 |
| 24 | | 1025765 | Locknut (1/4-28) | 1 | 6 |
| 25 | | 1029501 | Plug Button, Black (1") | 1 | 2 |
| 26 | | 1026107 | Screw, Phillips Pan Head (#10-32 x 1-3/8") | 1 | 2 |
| 27 | | 40157X020 | Spacer, Coved (1/4 x 1 x 9/16") | 1 | 8 |
| 28 | | 1081265 | Plug | 1 | 2 |
| 29 | | 1083926 | Clamp, Black | 1 | 1 |
| 30 | | 1083905-NLA | NLA - Bushing | 1 | 1 |
| 31 | | 1055347-NLA | NLA - Screw, Hex Head (1/4-28 x 1-1/2") | 1 | 1 |
| 32 | | 1083906-NLA | NLA - Ring, Stop | 1 | 1 |
| 33 | | 1083928 | Tube, Upper, Black | 1 | 1 |
| 34 | | 1082635-NLA | NLA - T-Tube, Lower, Black | 1 | 1 |
| 35 | A | 1114690-NLA | NLA - Hardware, Stroller Handle Hinge | 2 | 1 |
| 36 | | 1082638 | Cable Release Assembly | 1 | 2 |

NOTE: A - Includes items 22 and 24.

Recliner Upholstery & Reclining Back Kits

Stroller Handles

| 10" Wide | 11" Wide | 12" Wide | 13" Wide | 14" Wide | 15" Wide | 16" Wide |
|-------------|-------------|-------------|-------------|-------------|-------------|-------------|
| 1082618-NLA | 1082619-NLA | 1082620-NLA | 1082621-NLA | 1082622-NLA | 1082623 | 1082624 |

Back Upholstery

| 10" W x 18" H | 11" W x 18" H | 12" W x 18" H | 13" W x 18" H | 14" W x 18" H | 15" W x 18" H | 16" W x 18" H |
|---------------|---------------|---------------|---------------|---------------|---------------|---------------|
| 1082630-NLA | 1082633-NLA | 1070990-NLA | 1070993-NLA | 1071714-NLA | 1071717-NLA | 1071053-NLA |

Headrests

| 10" Wide | 11" Wide | 12" Wide | 13" Wide | 14" Wide | 15" Wide | 16" Wide |
|-------------|-------------|-------------|-------------|-------------|-------------|-------------|
| 1082636-NLA | 1082637-NLA | 1071012-NLA | 1071013-NLA | 1192478 | 1192479 | 1192480 |

Headrest Pillows

| 10-11" Wide | 12-13" Wide | 14-15" Wide | 16" Wide |
|----------------|----------------|----------------|-------------|
| 1083914-NLA | 1071010-NLA | 1071011 | 1071058 |

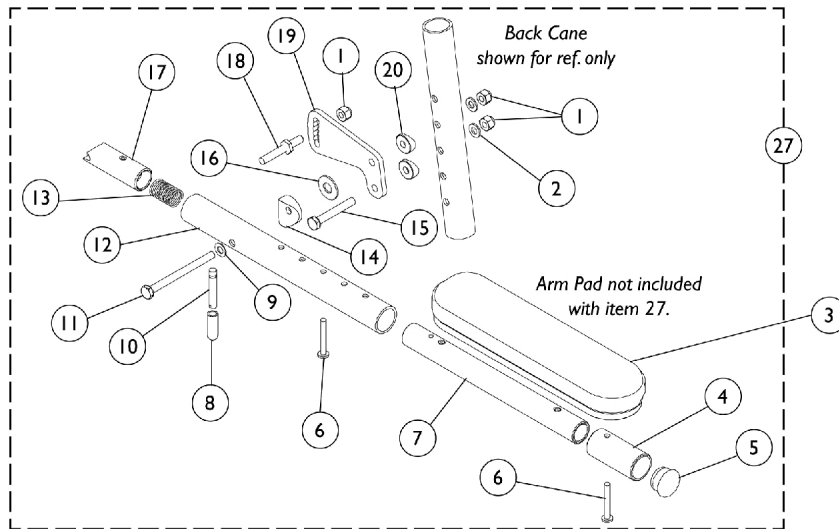
Orbit Reclining Back Kits

Back Kits contain the following items: Back Upholstery (U240 Black), Headrest Extensions, Headrest Uph., Pillow, Back Canes, Cable Release, and Attaching Hardware.

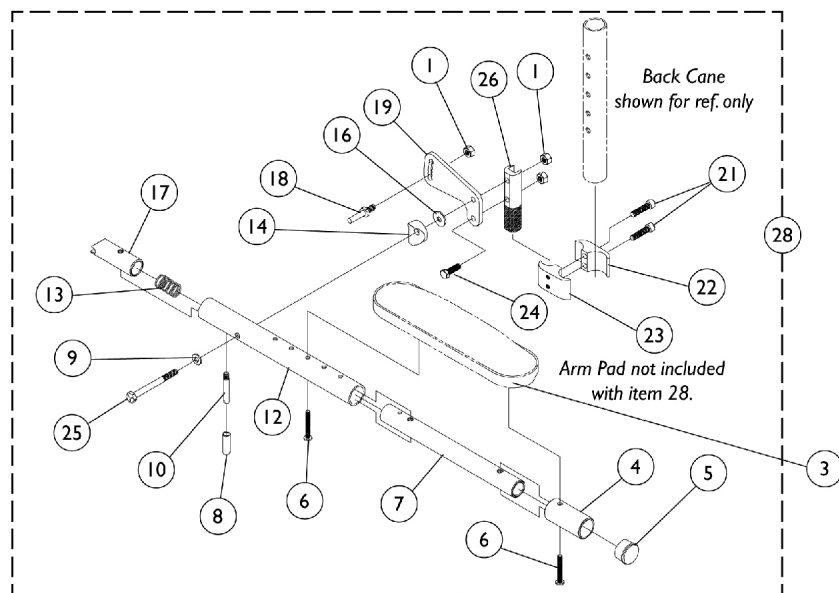
| 10" Wide | 11" Wide | 12" Wide | 13" Wide | 14" Wide | 15" Wide | 16" Wide |
|-------------|-------------|-------------|-------------|-------------|-------------|-------------|
| 1085202-NLA | 1085203-NLA | 1085204-NLA | 1085205-NLA | 1085206-NLA | 1085207-NLA | 1085208-NLA |

Chairs using cantilever arms must be converted to T-arms before adding the recliner back kit.
Back Canes and Headrest Extensions are painted Black (34P). Back and Headrest Upholstery is Black Nylon (U240).

Cantilever Arms



Bolt On Cantilever Arm without Arm Pads



Clamp On Cantilever Arm without Arm Pads

Cantilever Arms

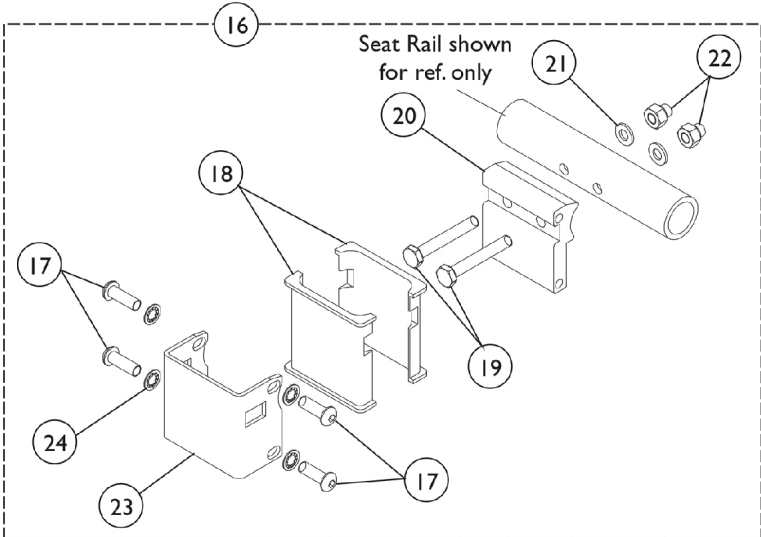
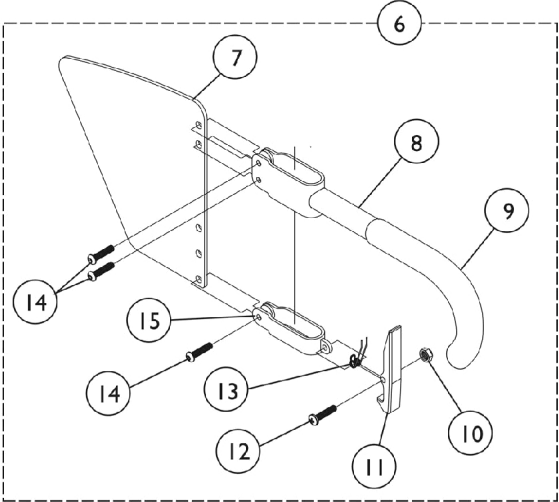
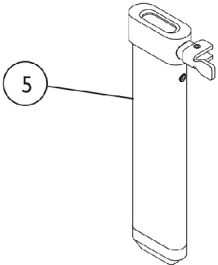
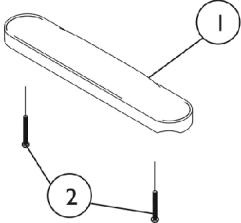
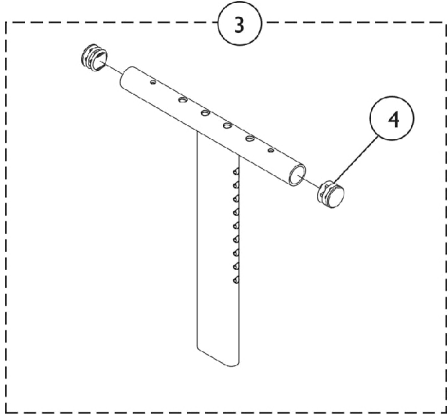
| Item Number | Note | Part Number | Description | Quantity Per | |
|-------------|------|-------------|---|--------------|----------|
| | | | | Package | Assembly |
| 1 | | 1065362 | Locknut (1/4-28) | 1 | 3 |
| 2 | | 1026907 | Washer (1/4 x 1/2 x 1/16") | 1 | 2 |
| 3 | A | 8881053578 | Kit, Arm Pad w/ Screws, Desk Length (9" L x 2" W) (Pair) | 2 | 1 |
| 3 | A | 8881053577 | Kit, Arm Pad w/ Screws, Full Length (14" L x 2" W) (Pair) | 2 | 1 |
| 4 | | 1042598 | Tube, Arm, Extension, Black | 1 | 1 |
| 5 | | 1056328 | Plug Button, Black (1") | 1 | 1 |
| 6 | | 1026107 | Screw, Phillips Pan Head (#10-32 x 1-3/8") | 1 | 2 |
| 7 | | 1068600 | Tube, Slide, Cantilever Arm, Black | 1 | 1 |
| 8 | | 1059271 | Tip, Plastic, Black | 1 | 1 |
| 9 | | 1026103 | Washer, Nylon (1/4 x 1/2 x 1/32") | 1 | 1 |
| 10 | | 1058545 | Lever, Actuator | 1 | 1 |
| 11 | | 1059374 | Screw, Hex Head (1/4-28 x 3") | 1 | 1 |
| 12 | | 1068588 | Tube, Arm, Black | 1 | 1 |
| 13 | | 1011511 | Spring, Compression (5/8 x 1 x 3/64") | 1 | 1 |
| 14 | | 40157X020 | Spacer, Coved (1/4 x 1 x 9/16") | 1 | 1 |
| 15 | | 1055348 | Screw, Hex Head (1/4-28 x 1-3/4") | 1 | 1 |
| 16 | | 1012371 | Washer, Nylon (3/8 x 7/8 x 1/16") | 1 | 1 |
| 17 | | 1058232 | Plug, Latch | 1 | 1 |
| 18 | | 1058231-NLA | NLA - Pin, Locking | 1 | 1 |
| 19 | | 1058542 | Bracket, Armrest Mounting, Black | 1 | 1 |
| 20 | | 1026099 | Spacer, Coved (1/4 x 11/16 x 1/2") | 1 | 2 |
| 21 | | 1153853 | Screw, Socket Head (1/4-20 x 1") | 1 | 2 |
| 22 | | 1043711 | Clamp, Half, Non-Threaded | 1 | 1 |
| 23 | | 1043712 | Clamp, Half, Threaded | 1 | 1 |
| 24 | | 1055346-NLA | NLA - Screw, Hex Head (1/4-28 x 3/4") | 1 | 1 |
| 25 | | 1055349 | Screw, Hex Head (1/4-28 x 2") | 1 | 1 |
| 26 | | 1062787 | Arm Support, Clamp On | 1 | 1 |
| 27 | B,C | 1068654 | Kit, Cantilever Arm, Bolt On - Right | 1 | 1 |
| 27 | B,C | 1068655 | Kit, Cantilever Arm, Bolt On - Left | 1 | 1 |
| 28 | B,D | 1068656 | Arm Assembly, Cantilever - Right | 1 | 1 |
| 1 | | | Locknut (1/4-28) | 1 | 3 |
| 4 | | | Tube, Arm, Extension, Black | 1 | 1 |
| 5 | | | Plug Button, Black (1") | 1 | 1 |
| 6 | | | Screw, Phillips Pan Head (#10-32 x 1-3/8") | 1 | 2 |
| 7 | | | Tube, Slide, Cantilever Arm, Black | 1 | 1 |
| 8 | | | Tip, Plastic, Black | 1 | 1 |
| 9 | | | Washer, Nylon (1/4 x 1/2 x 1/32") | 1 | 1 |
| 10 | | | Lever, Actuator | 1 | 1 |
| 12 | | | Tube, Arm, Black | 1 | 1 |
| 13 | | | Spring, Compression (5/8 x 1 x 3/64") | 1 | 1 |
| 14 | | | Spacer, Coved (1/4 x 1 x 9/16") | 1 | 1 |
| 16 | | | Washer, Nylon (3/8 x 7/8 x 1/16") | 1 | 1 |
| 17 | | | Plug, Latch | 1 | 1 |

Cantilever Arms

| Item Number | Note | Part Number | Description | Quantity Per | |
|-------------|------|-------------|--|--------------|----------|
| | | | | Package | Assembly |
| 18 | | | NLA - Pin, Locking | 1 | 1 |
| 19 | | | Bracket, Armrest Mounting, Black | 1 | 1 |
| 21 | | | Screw, Socket Head (1/4-20 x 1") | 1 | 2 |
| | | | NLA - Lockwasher, High Collar (1/4") | 1 | 2 |
| 22 | | | Clamp, Half, Non-Threaded | 1 | 1 |
| 23 | | | Clamp, Half, Threaded | 1 | 1 |
| 24 | | | NLA - Screw, Hex Head (1/4-28 x 3/4") | 1 | 1 |
| 25 | | | Screw, Hex Head (1/4-28 x 2") | 1 | 1 |
| 26 | | | Arm Support, Clamp On | 1 | 1 |
| 28 | B,D | 1068657 | Arm Assembly, Cantilever - Left | 1 | 1 |
| 1 | | | Locknut (1/4-28) | 1 | 3 |
| 4 | | | Tube, Arm, Extension, Black | 1 | 1 |
| 5 | | | Plug Button, Black (1") | 1 | 1 |
| 6 | | | Screw, Phillips Pan Head (#10-32 x 1-3/8") | 1 | 2 |
| 7 | | | Tube, Slide, Cantilever Arm, Black | 1 | 1 |
| 8 | | | Tip, Plastic, Black | 1 | 1 |
| 9 | | | Washer, Nylon (1/4 x 1/2 x 1/32") | 1 | 1 |
| 10 | | | Lever, Actuator | 1 | 1 |
| 12 | | | Tube, Arm, Black | 1 | 1 |
| 13 | | | Spring, Compression (5/8 x 1 x 3/64") | 1 | 1 |
| 14 | | | Spacer, Coved (1/4 x 1 x 9/16") | 1 | 1 |
| 16 | | | Washer, Nylon (3/8 x 7/8 x 1/16") | 1 | 1 |
| 17 | | | Plug, Latch | 1 | 1 |
| 18 | | | NLA - Pin, Locking | 1 | 1 |
| 19 | | | Bracket, Armrest Mounting, Black | 1 | 1 |
| 21 | | | Screw, Socket Head (1/4-20 x 1") | 1 | 2 |
| | | | NLA - Lockwasher, High Collar (1/4") | 1 | 2 |
| 22 | | | Clamp, Half, Non-Threaded | 1 | 1 |
| 23 | | | Clamp, Half, Threaded | 1 | 1 |
| 24 | | | NLA - Screw, Hex Head (1/4-28 x 3/4") | 1 | 1 |
| 25 | | | Screw, Hex Head (1/4-28 x 2") | 1 | 1 |
| 26 | | | Arm Support, Clamp On | 1 | 1 |

NOTE: A - Specify upholstery color U67 Black when ordering.
 B - Arms do not include Arm Pads, they must be ordered separately.
 C - Includes items 1,2,4-20
 D - Includes items 1,4-10,12-14,16-19, and 21-26

"T" Arms and Hardware



"T" Arms and Hardware

| Item Number | Note | Part Number | Description | Quantity Per | |
|-------------|------|-------------|--|--------------|----------|
| | | | | Package | Assembly |
| 1 | A | 8881053570 | Kit, Arm Pad w/ Screws, Desk Length (Pair) | 2 | 1 |
| 1 | A | 8881053571 | Kit, Arm Pad w/ Screws, Full Length (Pair) | 2 | 1 |
| 2 | | 1026107 | Screw, Phillips Pan Head (#10-32 x 1-3/8") | 1 | 2 |
| 3 | | 1069639 | T-Arm Assembly w/ Plug Buttons, Desk Length, Low Range, Black | 1 | 1 |
| 3 | | 1069641 | T-Arm Assembly w/ Plug Buttons, Desk Length, High Range, Black | 1 | 1 |
| 3 | | 1069643 | T-Arm Assembly w/ Plug Buttons, Full Length, Low Range, Black | 1 | 1 |
| 3 | | 1069645 | T-Arm Assembly w/ Plug Buttons, Full Length, High Range, Black | 1 | 1 |
| 4 | | 1027095 | Plug Button, Black (7/8") | 1 | 2 |
| 5 | | 1069635 | Post, Arm, Low Range | 1 | 1 |
| 5 | | 1069637 | Post, Arm, High Range | 1 | 1 |
| 6 | | 1073424 | Kit, Clothing Guard, Low Range - Right | 1 | 1 |
| 6 | | 1073425 | Kit, Clothing Guard, Low Range - Left | 1 | 1 |
| 6 | | 1073422 | Kit, Clothing Guard, High Range - Right | 1 | 1 |
| 6 | | 1073423 | Kit, Clothing Guard, High Range - Left | 1 | 1 |
| 7 | | 1069652-NLA | NLA - Guard, Clothing, Low Range | 1 | 1 |
| 7 | | 1069651-NLA | NLA - Guard, Clothing, High Range | 1 | 1 |
| 8 | | 1069634 | Tube, Support, Low Range, Black - Right | 1 | 1 |
| 8 | | 1073247-NLA | NLA - Tube, Support, Low Range, Black - Left | 1 | 1 |
| 8 | | 1069650-NLA | NLA - Tube, Support, High Range, Black - Right | 1 | 1 |
| 8 | | 1073246 | Tube, Support, High Range, Black - Left | 1 | 1 |
| 9 | | 1028427 | Grip, Foam | 1 | 1 |
| 10 | | 1025731 | Locknut (#10-32) | 1 | 1 |
| 11 | | 1076839-NLA | NLA - Lever, Locking | 1 | 1 |
| 12 | | 1025716 | Screw, Phillips Pan Head (#10-32 x 11/16") | 1 | 1 |
| 13 | | 1073196-NLA | NLA - Spring, Torsion | 1 | 1 |
| 14 | | 1006773-NLA | NLA - Screw, Socket Button Head (1/4-20 x 1/2") | 1 | 3 |
| 15 | | 1075069-NLA | NLA - Clamp, Clothing Guard - Right | 1 | 1 |
| 15 | | 1075070-NLA | NLA - Clamp, Clothing Guard - Left | 1 | 1 |
| 16 | | 1069632 | Arm Socket Assembly, Bolt On | 1 | 1 |
| 17 | | 1055305-NLA | NLA - Screw, Socket Button Head (1/4-28 x 3/4") | 1 | 4 |
| 18 | | 1069609 | Insert, Arm Socket, Black | 1 | 2 |
| 19 | | 1055348 | Screw, Hex Head (1/4-28 x 1-3/4") | 1 | 2 |
| 20 | | 1069629-NLA | NLA - Bracket, T-Arm Socket, Threaded, Black | 1 | 1 |
| 21 | | 1026907 | Washer (1/4 x 1/2 x 1/16") | 1 | 2 |
| 22 | | 1085111 | Nut, Hex (1/4-28) | 1 | 3 |
| 23 | | 1069620-NLA | NLA - Bracket, Socket, Black | 1 | 1 |
| 24 | | 1026108 | Lockwasher (1/4 x 15/32 x 1/64") | 1 | 4 |
| | B | See Chart | "T" Arm Kits | 1 | 1 |

NOTE: A - Specify upholstery color U67 Black when ordering.
B - Includes items 1-3 and 5-6.

"T" Arms and Hardware

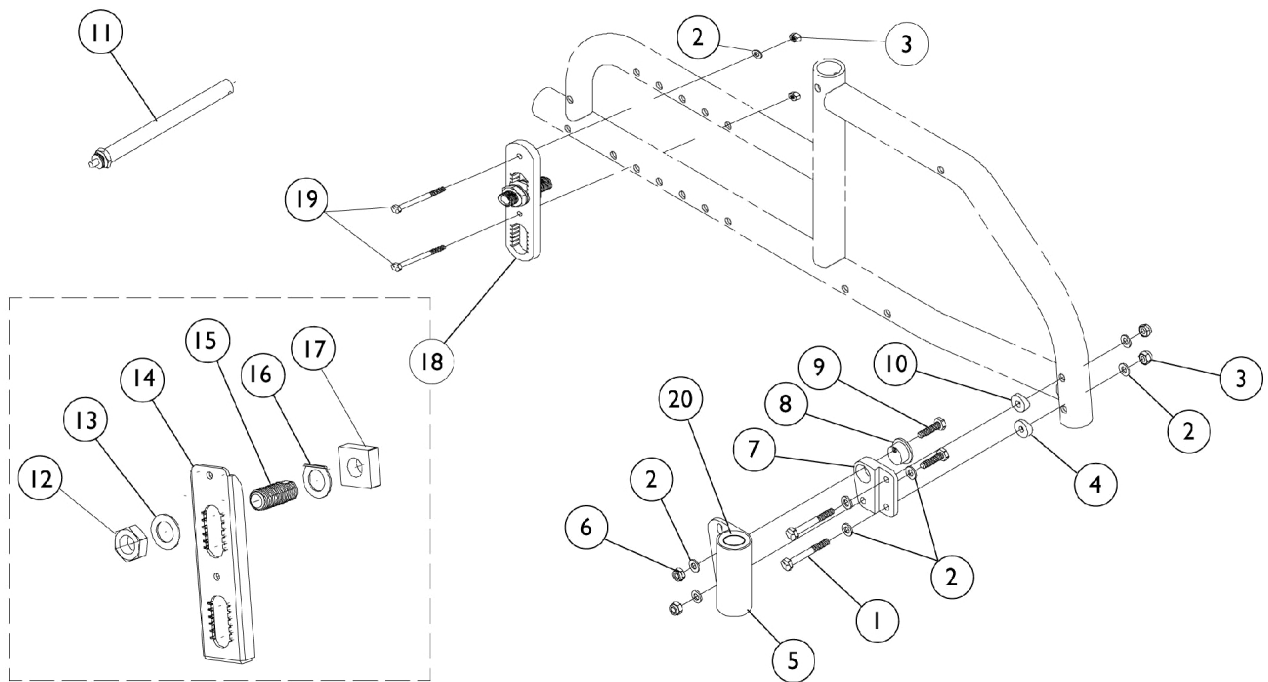
"T" Arm Kits

Kits Include Items 1-3,5-6

| Part Number | Arm Style |
|----------------|----------------------------------|
| 8881074078 | Desk Length, Low Range (1 Pair) |
| 8881074079 | Desk Length, High Range (1 Pair) |
| 8881074080 | Full Length, Low Range (1 Pair) |
| 8881074081-NLA | Full Length, High Range (1 Pair) |

Specify U67 upholstery color when ordering.

Headtube and Axle Mounting Plate - Attaching Hardware

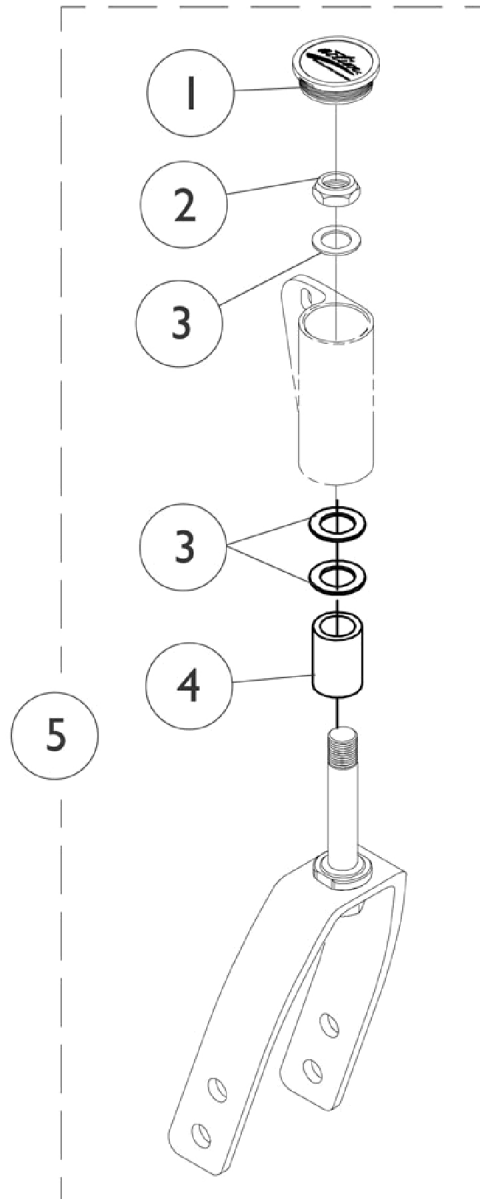


Headtube and Axle Mounting Plate - Attaching Hardware

| Item Number | Note | Part Number | Description | Quantity Per | |
|-------------|------|-------------|---|--------------|----------|
| | | | | Package | Assembly |
| 1 | | 1055347-NLA | NLA - Screw, Hex Head (1/4-28 x 1-1/2") | 1 | 2 |
| 2 | | 1026907 | Washer (1/4 x 1/2 x 1/16") | 1 | 8 |
| 3 | | 1065362 | Locknut (1/4-28) | 1 | 4 |
| 4 | | 1026099 | Spacer, Coved (1/4 x 11/16 x 1/2") | 1 | 1 |
| 5 | | 1076369-NLA | NLA - Headtube, Caster, Black - Right | 1 | 2 |
| 5 | | 1076370-NLA | NLA - Headtube, Caster, Black - Left | 1 | 2 |
| 6 | | 1055366 | Locknut (1/4-28) | 1 | 2 |
| 7 | | 1040773 | Bracket, Headtube Adjustment, Black - Right | 1 | 1 |
| 7 | | 1040774 | Bracket, Headtube Adjustment, Black - Left | 1 | 1 |
| 8 | | 1040766 | Cam, Headtube Adjustment | 1 | 1 |
| 9 | | 1055296-NLA | NLA - Screw, Hex Head (1/4-28 x 1") | 1 | 2 |
| 10 | | 1009861 | Spacer, Coved (1/4 x 11/16 x 1/2") | 1 | 1 |
| 11 | | 1026930-NLA | NLA - Axle, Quick Release (1/2 x 4-1/2") | 1 | 1 |
| 12 | | 1044945 | Nut, Hex (3/4-16) | 1 | 2 |
| 13 | | 1025701 | Washer, Steel (3/4 x 1-1/4 x 1/16") | 1 | 1 |
| 14 | A | 1079983 | Plate, Axle Mounting, Slotted | 1 | 1 |
| 15 | | 1026178 | Bushing, Axle (2-1/2") | 1 | 1 |
| 16 | | 1062289-NLA | NLA - Washer, Axle Positioning | 1 | 1 |
| 17 | | 1079981-NLA | NLA - Nut, Square | 1 | 1 |
| 18 | B | 1079982 | Axle Mounting Plate Assembly | 1 | 1 |
| 19 | | 1055348 | Screw, Hex Head (1/4-28 x 1-3/4") | 1 | 2 |
| 20 | | 40117X021 | Bearing (1/2" I.D. x 1-1/8" O.D.) | 1 | 2 |

NOTE: A - Includes items 2, 3, and 19.
B - Includes items 12 thru 17.

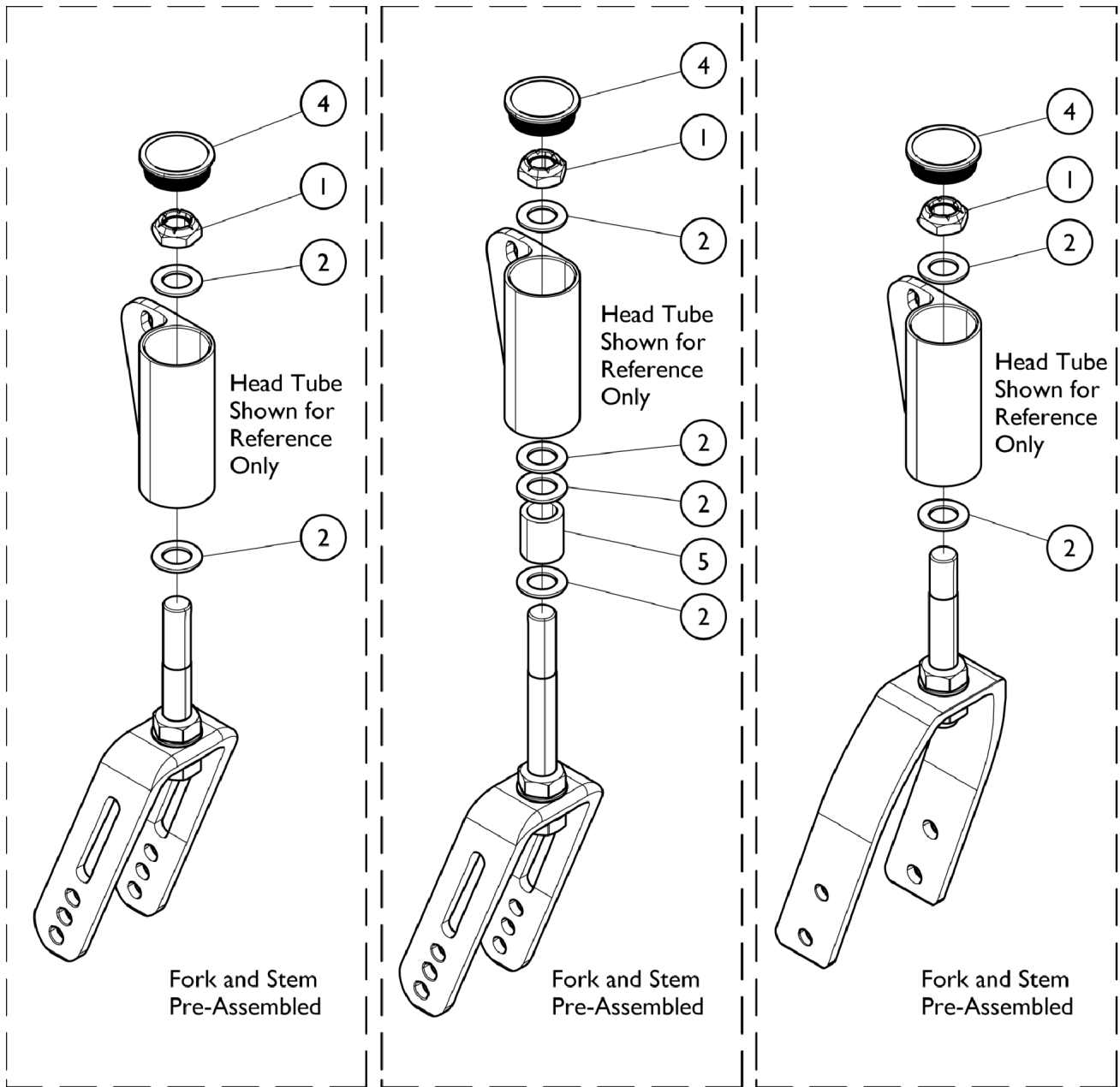
Forks & Hardware (Before 7/1/11)



Forks & Hardware (Before 7/1/11)

| Item Number | Note | Part Number | Description | Quantity Per | |
|-------------|------|-------------|---|--------------|----------|
| | | | | Package | Assembly |
| 1 | | 1038353 | Plug Button, Headtube, Black | 1 | 1 |
| 2 | | 1025737 | Locknut (1/2-20) | 1 | 4 |
| 3 | | 1026174 | Washer (1/2 x 7/8 x 3/64") | 1 | 1 |
| 4 | | 1046495 | Spacer (1/2 x 3/4 x 1") | 1 | 2 |
| 5 | | 1065623 | Kit, Fork w/ Hardware (3" Caster) | 1 | 2 |
| 5 | | 1065624 | Kit, Fork w/ Hardware, 1" Extension (3 and 5" Caster) | 1 | 2 |
| 5 | | 1065626 | Kit, Fork w/ Hardware (5" Caster) | 1 | 2 |
| 5 | | 1065627 | Kit, Fork w/ Hardware, 1" Extension (5 and 6" Caster) | 1 | 2 |
| 5 | | 1065629 | Kit, Fork w/ Hardware (6 x 2" and 8" Casters) | 1 | 2 |

Forks & Hardware (After 6/29/11)



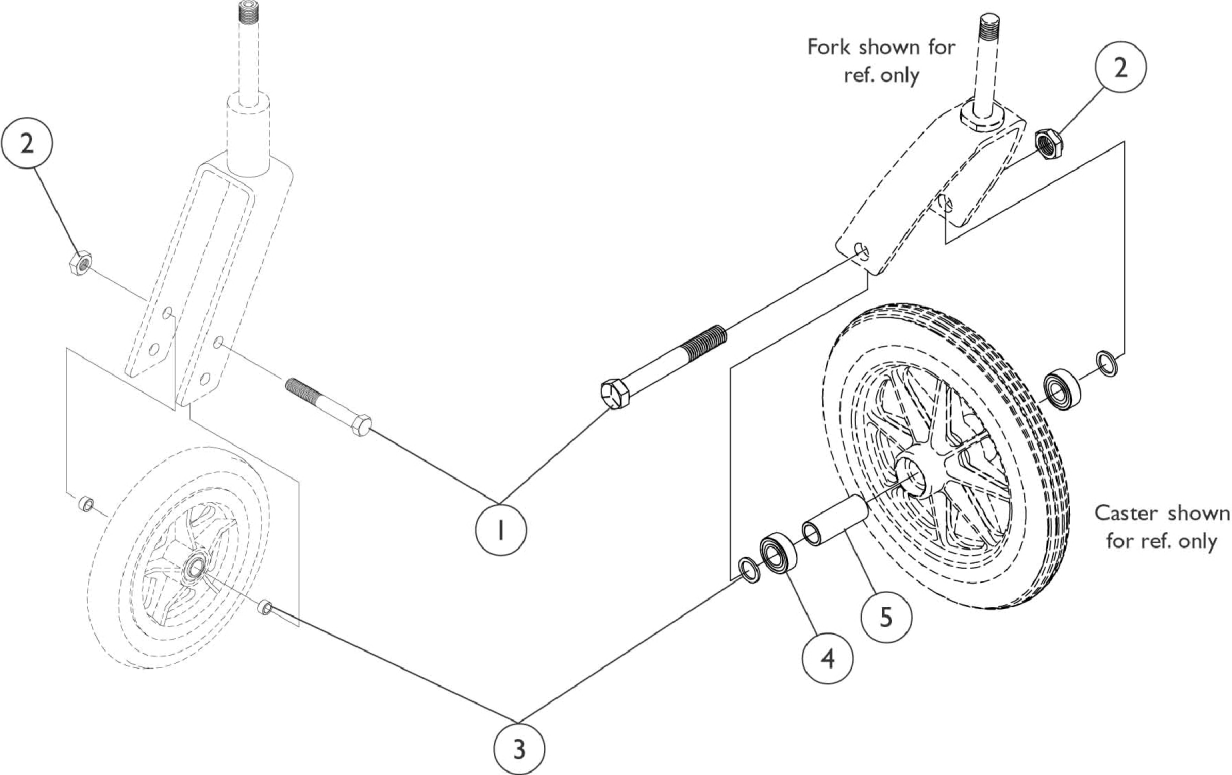
**Fork Mounting Hardware
Caster Model
51DC, 61DC**

**Fork Mounting Hardware
Caster Model
81DC, 815DC**

Forks & Hardware (After 6/29/11)

| Item Number | Note | Part Number | Description | Quantity Per | |
|-------------|------|-------------|---|--------------|----------|
| | | | | Package | Assembly |
| 1 | | 1038353 | Plug Button, Headtube, Black | 1 | 1 |
| 2 | | 1025737 | Locknut (1/2-20) | 1 | 4 |
| 3 | | 1026174 | Washer (1/2 x 7/8 x 3/64") | 1 | 1 |
| 4 | | 1046495 | Spacer (1/2 x 3/4 x 1") | 1 | 2 |
| 5 | | 1065623 | Kit, Fork w/ Hardware (3" Caster) | 1 | 2 |
| 5 | | 1065624 | Kit, Fork w/ Hardware, 1" Extension (3 and 5" Caster) | 1 | 2 |
| 5 | | 1065626 | Kit, Fork w/ Hardware (5" Caster) | 1 | 2 |
| 5 | | 1065627 | Kit, Fork w/ Hardware, 1" Extension (5 and 6" Caster) | 1 | 2 |
| 5 | | 1161851-NLA | Kit, Hardware, Caster | 1 | 1 |
| | | | Screw, Hex Head, Cap (5/16-24 x 3-1/4") | 1 | 2 |
| | | | Spacer (5/16 x 1/2 x 3/4") | 1 | 4 |
| | | | Locknut (5/16-24) | 1 | 2 |

Casters & Mounting Hardware (Before 7/1/11)



Casters & Mounting Hardware (Before 7/1/11)

Caster Wheel Hardware

| Wheel Style | Wheel Size | Tire Type | Item 1 Axle | Item 2 Locknut | Item 3 Washer | Item 4 Bearing | Item 5 Spacer |
|-------------|------------|------------------------|-------------|----------------|---------------|----------------|---------------|
| 5ALUM | 5" | Urethane | 1025764 | 1025730 | 1026102 | N/A | N/A |
| AT901 | 5" | Urethane | 1025764 | 1025730 | 1026102 | N/A | N/A |
| AT902 | 6 x 1" | Urethane | 1025764 | 1025730 | 1026102 | N/A | N/A |
| 6SKYWAY | 6 x 1" | Urethane | 1025764 | 1025730 | 1026102 | N/A | N/A |
| 6PNEU | 6 x 2" | Pneumatic | 1025764 | 1025730 | 1026102 | N/A | N/A |
| AT903 | 8 x 1" | Urethane | 1025726 | 1025734 | 1026101 | 1006049 | 1020592 |
| AT1292 | 8 x 1-1/4" | Pneumatic | 1025726 | 1025734 | 1025724 | 1006049 | 1020592 |
| AT1292FF | 8 x 1-1/4" | Pneumatic w/ Flat Free | 1025726 | 1025734 | 1025724 | 1006049 | 1020592 |

Caster Wheels

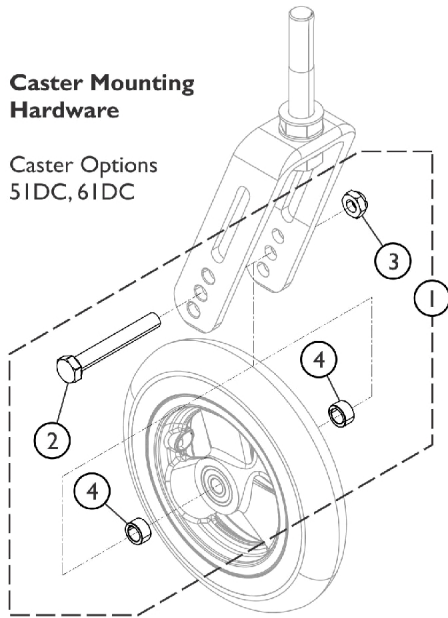
| Wheel Style | Wheel Size | Tire Type | Caster w/ Bearings | Tire | Tube/ Insert |
|-------------|------------|------------------------|--------------------------|-------------|--------------|
| 5ALUM | 5" | Urethane | 1026952 | N/A | N/A |
| AT901 | 5" | Urethane | 1029496 | N/A | N/A |
| AT902 | 6 x 1" | Urethane | 1034352 See Note(s) A | N/A | N/A |
| 6SKYWAY | 6 x 1" | Urethane | 1026956 | N/A | N/A |
| 6PNEU | 6 x 2" | Pneumatic | 1044040 | 1026010-NLA | 1026011-NLA |
| AT903 | 8 x 1" | Urethane | 1038161 | 1038157 | N/A |
| AT1292 | 8 x 1-1/4" | Pneumatic | 1009481 | 40176X040 | 40176X041 |
| AT1292FF | 8 x 1-1/4" | Pneumatic w/ Flat Free | 1030773 | 40176X040 | 1010904-NLA |

NOTE: A - Consists of (2) Casters.

Casters & Hardware (After 6/29/11)

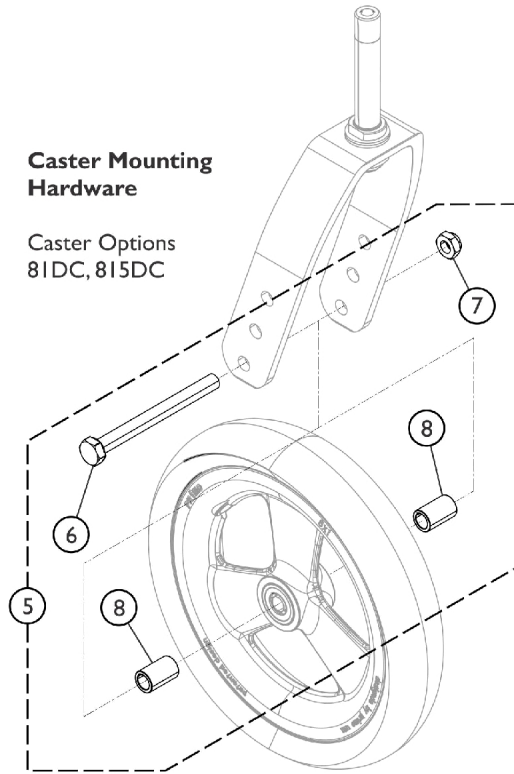
Caster Mounting Hardware

Caster Options
51DC, 61DC



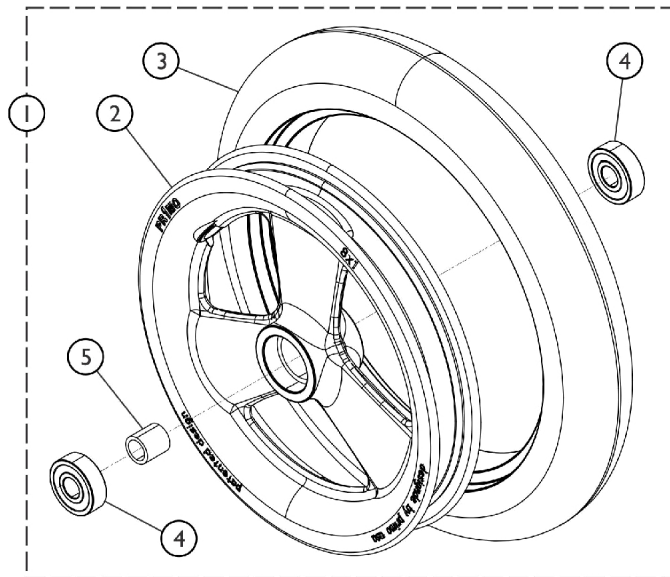
Caster Mounting Hardware

Caster Options
81DC, 815DC



Standard Caster Components

(Some Components May Not Be Available As Stand Alone Service Parts)



SCM_013A

Casters & Hardware (After 6/29/11)

Caster Wheel Hardware

| Wheel Style | Wheel Size | Item 1 Caster Hardware | Item 5 Caster Hardware | Item 2 Axle | Item 3 Locknut | Item 4 Spacer |
|-------------|------------|--------------------------|------------------------|-------------|----------------|---------------|
| 51DC | 5 x 1" | 1169260 | N/A | N/A | N/A | N/A |
| 61DC | 6 x 1" | 1189601 See Note(s) A | N/A | 1025764 | 1025730 | 1026102 |
| 6PNEU | 6 x 2" | N/A | N/A | 1025726 | 1025730 | 1026102 |
| 81DC | 8 x 1" | N/A | 1161851-NLA | N/A | N/A | N/A |
| 815DC | 8 x 1-1/2" | N/A | 1161851-NLA | N/A | N/A | N/A |

NOTE: A - This part sold in a Pair.

Caster Wheels

| Wheel Style | Wheel Size | Tire Type | Item 1 Caster Assembly | Item 2 Tire | Item 3 Tire | Item 4 Bearing | Item 5 Bearing Spacer |
|-------------|------------|-----------|------------------------|-------------|-------------|----------------|-----------------------|
| 51DC | 5" | Urethane | 1169260 | N/A | N/A | N/A | N/A |
| 61DC | 6" | Urethane | 1164314 | N/A | N/A | N/A | N/A |
| 6PNEU | 6 x 2" | Pneumatic | 1044040 | 1026010-NLA | 1026011-NLA | N/A | N/A |
| 81DC | 8 x 1" | Urethane | 1164315 | N/A | N/A | N/A | N/A |
| 815DC | 8 x 1-1/4" | Pneumatic | 1164316 | N/A | N/A | N/A | N/A |

Composite Rear Wheels without Handrims

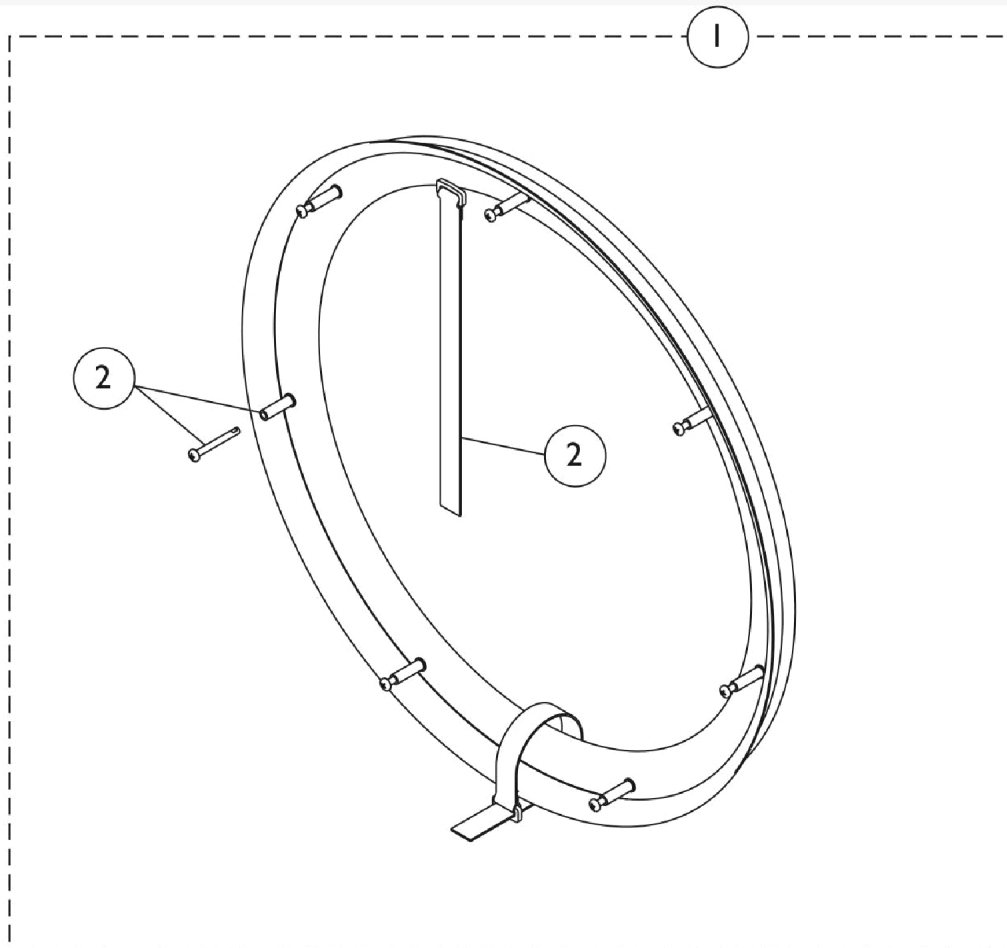
| Wheel Style | Wheel Size | Tire Type | Wheel w/o Handrim | Tire | Tube/ Insert | Bearing | Hub Spacer |
|-------------|-------------|------------------------|-------------------|-----------|--------------|-----------|------------|
| 12COM | 12 x 2-1/4" | Pneumatic | 1049138-NLA | 1011524 | 1011525 | 40117X022 | N/A |
| 12COM | 12 x 2-1/4" | Pneumatic w/ Flat Free | 1049139-NLA | 1011524 | 1027176 | 40117X022 | N/A |
| 20COM | 20 x 1-1/4" | Urethane | 1038364 | 1037774 | N/A | 40117X022 | 1015756 |
| 20COM | 20 x 1-3/8" | Pneumatic | 1026422 | 1017519 | 1017520 | 40117X022 | 1015756 |
| 20COM | 20 x 1-3/8" | Pneumatic w/ Flat Free | 1026423 | 1017519 | 1023322 | 40117X022 | 1015756 |
| 22COM | 22 x 1-1/4" | Urethane | 1032116 | 1028250 | N/A | 40117X022 | 1015756 |
| 22COM | 22 x 1-3/8" | Pneumatic | 1026420 | 1018544 | 1018545 | 40117X022 | 1015756 |
| 22COM | 22 x 1-3/8" | Pneumatic w/ Flat Free | 1026421 | 1018544 | 1023323 | 40117X022 | 1015756 |
| 24COM | 24 X 1-1/4" | Urethane | 1032118 | 1026904 | N/A | 40117X022 | 1015756 |
| 24COM | 24 X 1-3/8" | Pneumatic | 1026362-NLA | 40176X060 | 40176X061 | 40117X022 | 1015756 |
| 24COM | 24 X 1-3/8" | Pneumatic w/ Flat Free | 1026363 | 40176X060 | 1010906 | 40117X022 | 1015756 |

Handrims & Handrim Hardware

| Wheel Type | Handrim Type | Handrim | Attaching Points | Attaching Hardware |
|---------------|---------------------------------|------------------------------|------------------|--------------------|
| 20" Composite | Aluminum | 1033374 | 7 | 1026384 |
| 20" Composite | Plastic Coated (Grey) | 1020019-NLA See Note(s) A | 7 | 1026383 |
| 20" Composite | Plastic Coated (Black) | 1115400 | 7 | 1026383 |
| 22" Composite | Aluminum | 1033373 | 7 | 1026384 |
| 22" Composite | Plastic Coated (Grey) | 1026419-NLA See Note(s) A | 7 | 1026383 |
| 22" Composite | Plastic Coated (Black) | 1115401 | 7 | 1026383 |
| 24" Composite | Aluminum | 1033372 | 7 | 1026384 |
| 24" Composite | Plastic Coated (Grey) | 1015784-NLA See Note(s) A | 7 | 1026383 |
| 24" Composite | Plastic Coated (Black) | 1115397 | 7 | 1026383 |
| 24" Composite | 8 Oblique Projections (Grey) | 1015434-NLA See Note(s) A | 7 | 1062769-NLA |
| 24" Composite | 8 Oblique Projections (Black) | 1115396 | 7 | 1062769-NLA |
| 24" Composite | 12 Vertical Projections (Grey) | 1015433-NLA See Note(s) A | 7 | 1062770-NLA |
| 24" Composite | 12 Vertical Projections (Black) | 1115395 | 7 | 1062770-NLA |

NOTE: A - Grey plastic coated handrim is no longer available; if a replacement is needed, order the black plastic coated as replacement in pairs so the handrims on both sides of the chair match.

Handrims and Handrim Hardware - Natural Fit LT



7 Point Attaching Wheels (Composite Wheels)

Handrims and Handrim Hardware - Natural Fit LT

| Item Number | Note | Part Number | Description | Quantity Per | |
|-------------|------|-------------|--|--------------|----------|
| | | | | Package | Assembly |
| 1 | | See Chart | #1 Natural Fit LT Handrims - 7 Point Attaching Wheels (Composite Wheels) | 1 | 1 |
| 2 | B | 1145680-NLA | Kit, Handrim Attaching Hardware - 7 Point | 1 | 1 |
| | | | Screw, Phillips Pan Head w/ Patch (#10-32 x 1-3/4") | 1 | 7 |
| | | | NLA - Spacer (3/16 x 5/16 x 1-1/16") | 1 | 7 |
| | | | NLA - Strap, Securing | 1 | 2 |
| | | 1144492 | Instruction Sheet, Natural Fit Handrims | 1 | 1 |

NOTE: B - Not Shown

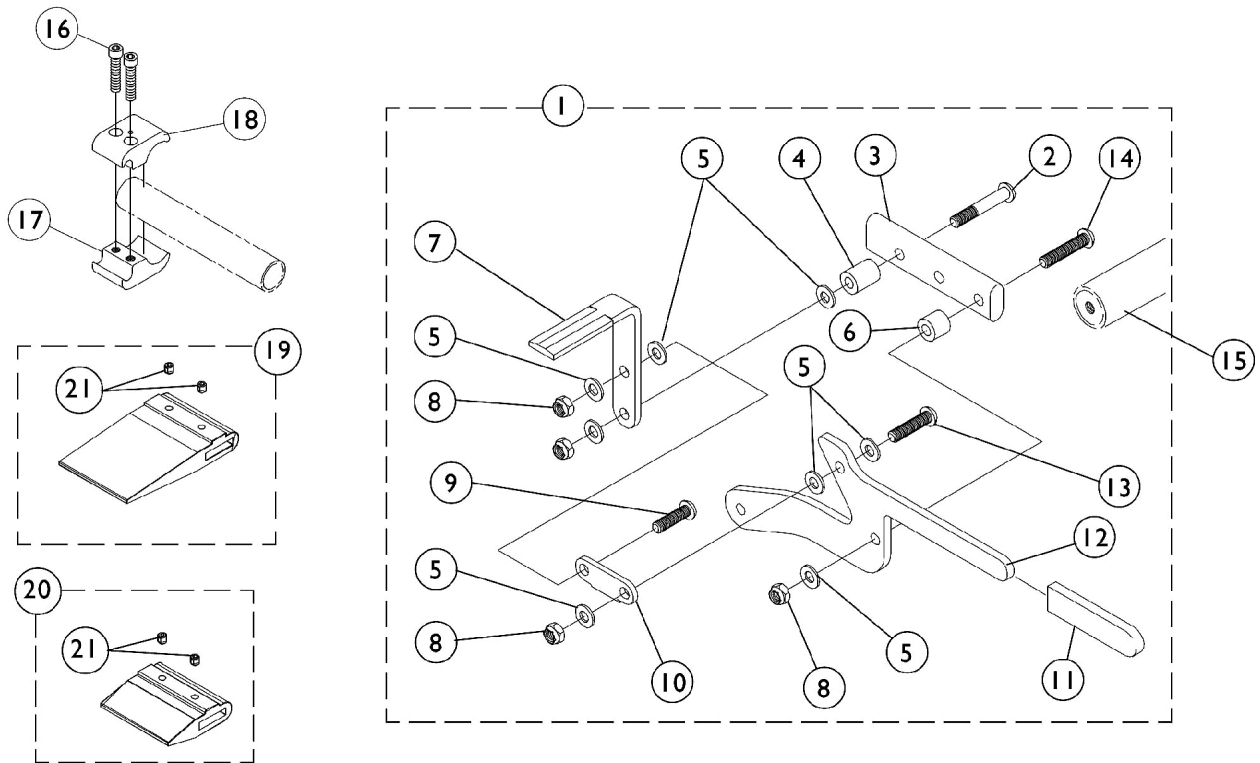
#1 Natural Fit LT Handrims - 7 Point Attaching Wheels (Composite Wheels)

Handrims sold as 1 each. Includes all Attaching Hardware (item 4) and Instruction Sheet.

| | |
|------------|---------------|
| Grip Style | 24" Wheels |
| Standard | 1163652-NLA |
| Super Grip | 1163653 |

Attendant Operated Wheel Lock

12" Rear Wheels Only



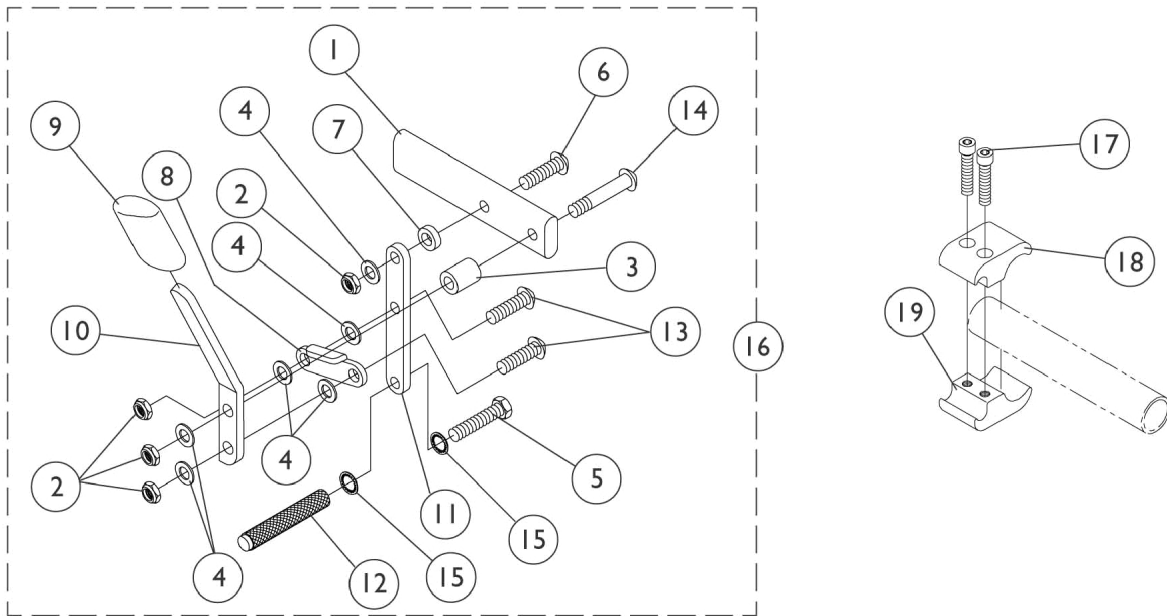
Attendant Operated Wheel Lock 12" Rear Wheels Only

| Item Number | Note | Part Number | Description | Quantity Per | |
|---|------|-------------|---|--------------|----------|
| | | | | Package | Assembly |
| 1 | A | 1073842 | Wheel Lock Assembly - Right | 1 | 1 |
| 1 | A | 1073873 | Wheel Lock Assembly - Left | 1 | 1 |
| 2 | | 1059284-NLA | NLA - Screw, Socket Button Head (1/4-28 x 1-1/4") | 1 | 1 |
| 3 | | 1028399-NLA | NLA - Strap, Wheel Lock | 1 | 1 |
| 4 | | 1020363-NLA | NLA - Spacer (1/4 x 1/2 x 1/2") | 1 | 1 |
| 5 | | 1026103 | Washer, Nylon (1/4 x 1/2 x 1/32") | 1 | 8 |
| 6 | | 1028411-NLA | NLA - Spacer (1/4 x 1/2 x 5/32") | 1 | 1 |
| 7 | | 1021405-NLA | NLA - Shoe, Wheel Lock | 1 | 1 |
| 8 | | 1025765 | Locknut (1/4-28) | 1 | 4 |
| 9 | | 1055304 | Screw, Socket Button Head (1/4-28 x 5/8") | 1 | 1 |
| 10 | | 1018733-NLA | NLA - Link, Stop, Black | 1 | 1 |
| 11 | | 1075507 | Tip, Plastic, Black | 1 | 1 |
| 12 | | 1073674-NLA | NLA - Lever, Wheel Lock, Black | 1 | 1 |
| 13 | | 1055305-NLA | NLA - Screw, Socket Button Head (1/4-28 x 3/4") | 1 | 1 |
| 14 | | 1055307-NLA | NLA - Screw, Allen Button Head (1/4-28 x 1") | 1 | 1 |
| 15 | | See Chart | #15 Wheel Lock Crossmember | 1 | 1 |
| 16 | | 1027268 | Screw, Allen Head (1/4-20 x 1") | 1 | 2 |
| 17 | | 1026096-NLA | NLA - Clamp, Wheel Lock, Threaded (1") | 1 | 1 |
| 18 | | 1026097-NLA | NLA - Clamp, Wheel Lock, Non-Threaded (1") | 1 | 1 |
| 19 | B | 1037421 | Kit, Wheel Lock Shoe Spacer, 20" Rear Wheels (Pair) | 2 | 1 |
| | | | Spacer, Wheel Lock Shoe (2-63/64") | 1 | 2 |
| | | | Screw, Set Socket Cup Point (#8-32 x 3/16") | 1 | 4 |
| 20 | C | 1037422 | Kit, Wheel Lock Shoe Spacer, 22" Rear Wheels (Pair) | 2 | 1 |
| | | | Spacer, Wheel Lock Shoe (1-45/64") | 1 | 2 |
| | | | Screw, Set Socket Cup Point (#8-32 x 3/16") | 1 | 4 |
| 21 | | 1008438 | Screw, Set Socket Cup Point (#8-32 x 3/16") | 1 | 2 |
| NOTE: A - Includes items 2-14 B - 20" Rear Wheels C - 22" Rear Wheels | | | | | |

#15 Wheel Lock Crossmember

| 10" Wide | 11" Wide | 12" Wide | 13" Wide | 14" Wide | 15" Wide | 16" Wide |
|-------------|-------------|----------|----------|----------|----------|----------|
| 1071155-NLA | 1071156-NLA | 1071157 | 1071158 | 1071159 | 1071160 | 1071161 |

High Mount Wheel Locks

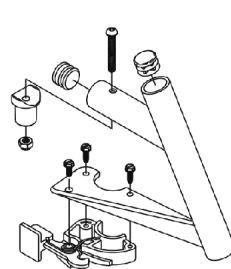
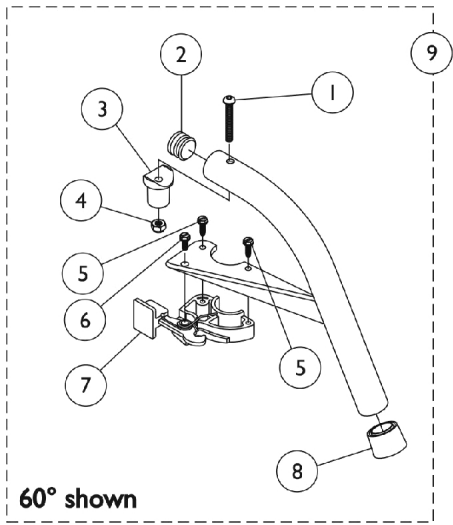


High Mount Wheel Locks

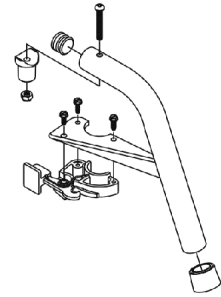
| Item Number | Note | Part Number | Description | Quantity Per | |
|-------------|------|-------------|---|--------------|----------|
| | | | | Package | Assembly |
| 1 | | 1028399-NLA | NLA - Strap, Wheel Lock | 1 | 1 |
| 2 | | 1025765 | Locknut (1/4-28) | 1 | 4 |
| 3 | | 1020363-NLA | NLA - Spacer (1/4 x 1/2 x 1/2") | 1 | 1 |
| 4 | | 1026103 | Washer, Nylon (1/4 x 1/2 x 1/32") | 1 | 6 |
| 5 | | 1055346-NLA | NLA - Screw, Hex Head (1/4-28 x 3/4") | 1 | 1 |
| 6 | | 1055306-NLA | NLA - Screw, Button Head Cap (1/4-28 x 7/8") | 1 | 1 |
| 7 | | 1028411-NLA | NLA - Spacer (1/4 x 1/2 x 5/32") | 1 | 1 |
| 8 | | 1018733-NLA | NLA - Link, Stop, Black | 1 | 1 |
| 9 | | 1006490 | Tip, Plastic, Black | 1 | 1 |
| 10 | | 1038344-NLA | NLA - Handle, Wheel Lock, Black - Right | 1 | 1 |
| 10 | | 1038345-NLA | NLA - Handle, Wheel Lock, Black - Left | 1 | 1 |
| 11 | | 1028416-NLA | NLA - Link, Wheel Lock, Black | 1 | 1 |
| 12 | | 1029420-NLA | NLA - Shoe, Wheel Lock | 1 | 1 |
| 13 | | 1055304 | Screw, Socket Button Head (1/4-28 x 5/8") | 1 | 2 |
| 14 | | 1059284-NLA | NLA - Screw, Socket Button Head (1/4-28 x 1-1/4") | 1 | 1 |
| 15 | | 1026108 | Lockwasher (1/4 x 15/32 x 1/64") | 1 | 1 |
| 16 | | 1029423 | Wheel Lock, High Mount, Push to Lock - Right | 1 | 1 |
| 16 | | 1029424 | Wheel Lock, High Mount, Push to Lock - Left | 1 | 1 |
| 17 | | 1027268 | Screw, Allen Head (1/4-20 x 1") | 1 | 2 |
| 18 | | 1026097-NLA | NLA - Clamp, Wheel Lock, Non-Threaded (1") | 1 | 1 |
| 19 | | 1026096-NLA | NLA - Clamp, Wheel Lock, Threaded (1") | 1 | 1 |

Footrest Support Assemblies

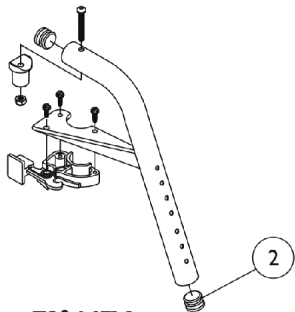
Swingaway 60 Degree, 70 Degree, and 90 Degree



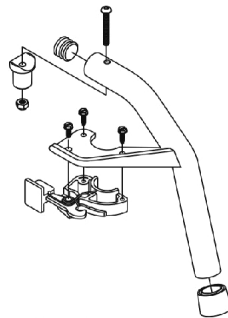
60° MFX



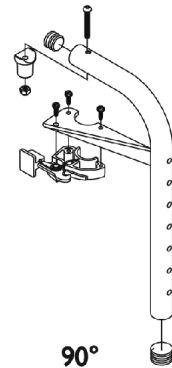
70° Non-Tapered



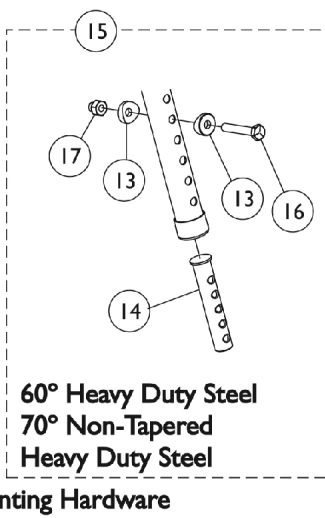
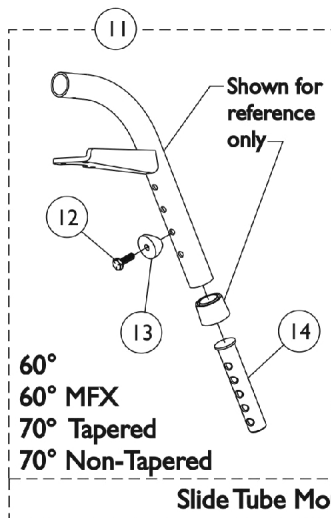
70° MFX



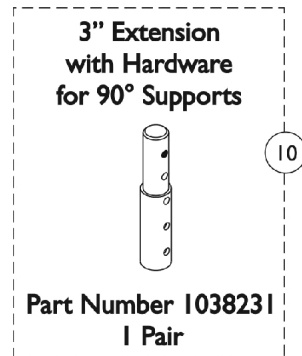
70° Tapered



90°



Slide Tube Mounting Hardware



Part Number 1038231
1 Pair

Footrest Support Assemblies

Swingaway 60 Degree, 70 Degree, and 90 Degree

| Item Number | Note | Part Number | Description | Quantity Per | |
|-------------|-------|-------------|--|--------------|----------|
| | | | | Package | Assembly |
| 1 | | 1001762 | Screw, Socket Button Head (1/4-20 x 1-3/4") | 1 | 1 |
| 2 | | 1029501 | Plug Button, Black (1") | 1 | 1 |
| 2 | | 1056328 | Plug Button, Black (1") | 1 | 1 |
| 3 | | 1017148 | Pivot, Footrest | 1 | 1 |
| 4 | | 1025736 | Locknut (1/4-20) | 1 | 1 |
| 5 | | 1025451 | Screw, Slotted Hex Washer Head (#10-32 x 5/8") | 1 | 2 |
| 6 | | 1017423 | Screw, Slotted Hex Washer Head w/ Patch (#10-32 x 1/2") | 1 | 1 |
| 7 | | 1025454 | Housing, Latch - Right | 1 | 1 |
| 7 | | 1025455 | Housing, Latch - Left | 1 | 1 |
| 8 | | 1026124 | Collar, Anti-Rattle | 1 | 1 |
| 9 | A,D | 8881026992 | Footrest Support Assembly, 60 Degree, Sector, Color - Right | 1 | 1 |
| 9 | A,D | 8881026993 | Footrest Support Assembly, 60 Degree, Sector, Color - Left | 1 | 1 |
| 9 | A,D | 8881026998 | Footrest Support Assembly, 60 Degree MFX, Sector, Color - Right | 1 | 1 |
| 9 | A,D | 8881026999 | Footrest Support Assembly, 60 Degree MFX, Sector, Color - Left | 1 | 1 |
| 9 | A,C,E | 8881053158 | Footrest Support Assembly, 60 Degree Heavy Duty, Sector, Color - Right | 1 | 1 |
| 9 | A,C,E | 8881053157 | Footrest Support Assembly, 60 Degree Heavy Duty, Sector, Color - Left | 1 | 1 |
| 9 | A,D | 8881026994 | Footrest Support Assembly, 70 Degree Non-Tapered, Sector, Color - Right | 1 | 1 |
| 9 | A,D | 8881026995 | Footrest Support Assembly, 70 Degree Non-Tapered, Sector, Color - Left | 1 | 1 |
| 9 | A,D | 8881026996 | Footrest Support Assembly, 70 Degree Tapered, Sector, Color - Right | 1 | 1 |
| 9 | A,D | 8881026997 | Footrest Support Assembly, 70 Degree, Tapered, Sector, Color - Left | 1 | 1 |
| 9 | A,D | 8881047481 | Footrest Support Assembly, 70 Degree MFX, Sector, Color - Right | 1 | 1 |
| 9 | A,D | 8881047480 | Footrest Support Assembly, 70 Degree MFX, Sector, Color - Left | 1 | 1 |
| 9 | A,C,E | 8881053149 | Footrest Support Assembly, 70 Degree Non-Tapered Heavy Duty, Sector, Color - Right | 1 | 1 |
| 9 | A,C,E | 8881053148 | Footrest Support Assembly, 70 Degree Non-Tapered Heavy Duty, Sector, Color - Left | 1 | 1 |
| 9 | A,D | 8881062596 | Footrest Support Assembly, 90 Degree, Sector, Color - Right | 1 | 1 |
| 9 | A,D | 8881062597 | Footrest Support Assembly, 90 Degree, Sector, Color - Left | 1 | 1 |
| 10 | A | 8881038231 | Kit, 3" Extension w/ Hardware (Pair) | 2 | 1 |
| 11 | | 1026703 | Kit, Pivot/Slide Tube Mounting Hardware (Pair) | 2 | 1 |

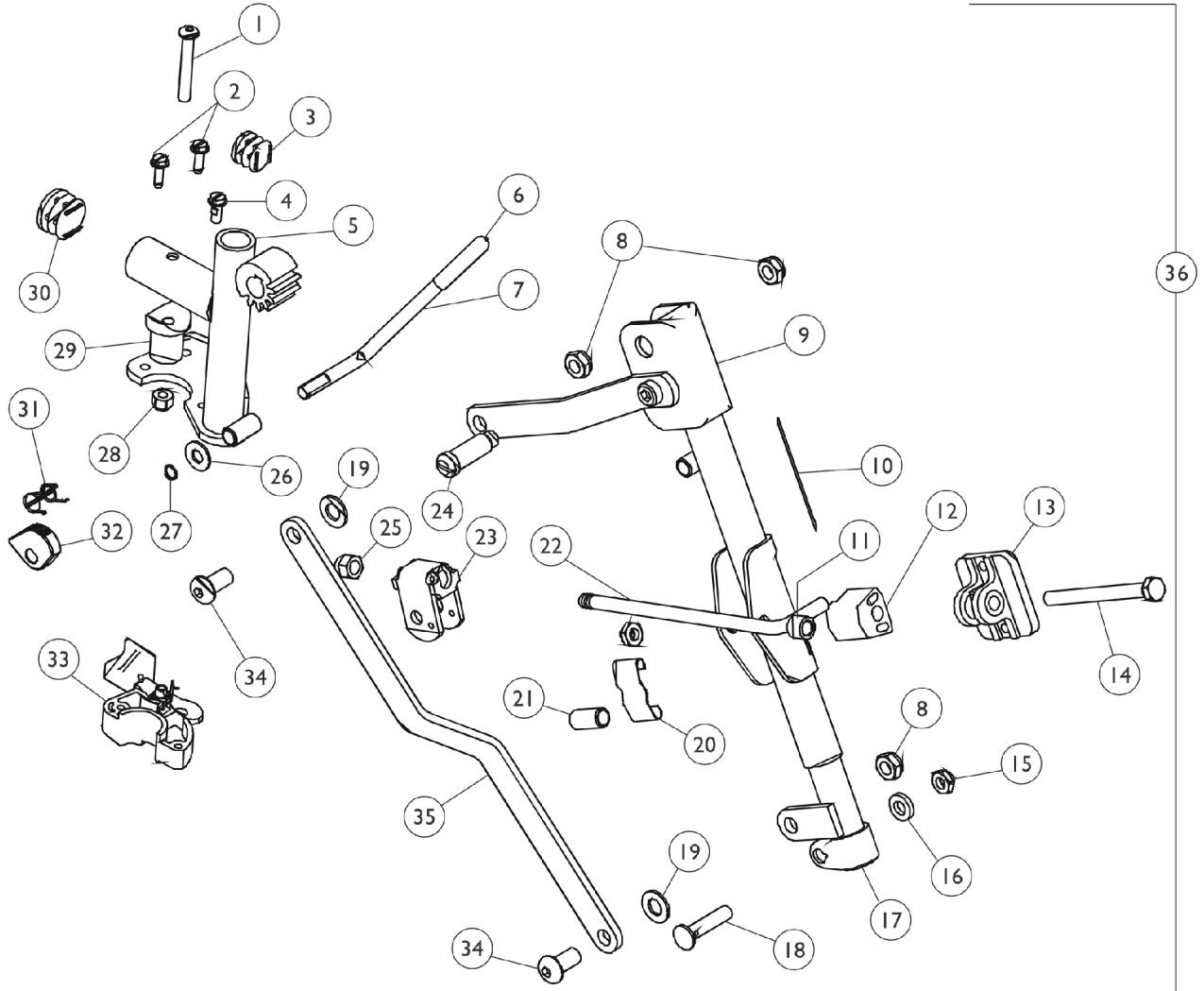
Footrest Support Assemblies

Swingaway 60 Degree, 70 Degree, and 90 Degree

| Item Number | Note | Part Number | Description | Quantity Per | |
|---|------|-------------|--|--------------|----------|
| | | | | Package | Assembly |
| 12 | | 1045267 | Screw, Hex Head w/ Patch (1/4-20 x 3/4") | 1 | 1 |
| 13 | B | 1026099 | Spacer, Coved (1/4 x 11/16 x 1/2") | 1 | 1 |
| 14 | F | 1020534 | Insert, Threaded | 1 | 1 |
| 15 | | 1074143 | Kit, Slide Tube Mounting Hardware | 1 | 1 |
| 16 | | 1070759 | Screw, Hex Head (1/4-20 x 1-1/2") | 1 | 1 |
| 17 | | 1044214 | Nut, Hex with Nylon Cap (1/4-20) | 1 | 1 |
| NOTE: A - Specify frame color when ordering. B - Item 15 requires 2 for each Assembly C - Uses Item Number 2, Plug Button 1029501 D - Uses Item Number 2, PLug Button 1056328 E - Not Shown F - As of 8/15/03, the Threaded Insert was revised from 3 to 5 Holes. Threaded Insert is Backward Compatible and does not require ordering in Pairs. | | | | | |

Articulating Legrest Support - ATL4A

Articulating Legrests are available with Pull to Lock Wheel Locks only.



Articulating Legrest Support - ATL4A

Articulating Legrests are available with Pull to Lock Wheel Locks only.

| Item Number | Note | Part Number | Description | Quantity Per | |
|-------------|------|-------------|---|--------------|----------|
| | | | | Package | Assembly |
| 1 | | 1001762 | Screw, Socket Button Head (1/4-20 x 1-3/4") | 1 | 1 |
| 2 | | 1025451 | Screw, Slotted Hex Washer Head (#10-32 x 5/8") | 1 | 2 |
| 3 | | 1027097 | Plug Button, Black (3/4") | 1 | 1 |
| 4 | | 1017423 | Screw, Slotted Hex Washer Head w/ Patch (#10-32 x 1/2") | 1 | 1 |
| 5 | | 1082539-NLA | NLA - Tube, Legrest Support, Articulating, Sector, Chrome - Left | 1 | 1 |
| 5 | | 1082538-NLA | NLA - Tube, Legrest Support, Articulating, Sector, Chrome - Right | 1 | 1 |
| 6 | | 1040060 | Tip, Plastic, Black | 1 | 1 |
| 7 | | 1037126 | Handle, Release | 1 | 1 |
| 8 | | 40363X000 | Hex Nut (3/8"-16) | 1 | 3 |
| 9 | | 1022878-NLA | NLA - Tube, Support and Drive Link, Chrome - Left | 1 | 1 |
| 9 | | 1022877-NLA | NLA - Tube, Support and Drive Link, Chrome - Right | 1 | 1 |
| 10 | | 1024911-NLA | NLA - Decal, Smartleg | 1 | 1 |
| 11 | | 47330X003 | Spacer (5/16 x 1/2 x 3/8") | 1 | 1 |
| 12 | | 1025133 | Spacer, Legrest Pad, Black | 1 | 1 |
| 13 | | 04526X019 | Plate, Legrest Pad | 1 | 1 |
| 14 | | 1014807 | Screw, Hex Head (5/16-24 x 3-1/4") | 1 | 1 |
| 15 | | 60264X001 | Locknut (5/16-24) | 1 | 2 |
| 16 | | 1027377 | Washer (#20) | 1 | 1 |
| 17 | | 1022848 | Tube, Slide, Articulating, Chrome - Right | 1 | 1 |
| 17 | | 1022849 | Tube, Slide, Articulating, Chrome - Left | 1 | 1 |
| 18 | | 11232X009 | Bolt, Lug (5/16-24 x 1-3/8") | 1 | 1 |
| 19 | | 1049527 | Washer, Nylon (3/8 x 3/4 x 1/16") | 1 | 2 |
| 20 | | 48823X008 | Spring, Leaf | 1 | 1 |
| 21 | | 47328X003 | Bushing, Pivot (5/16 x 7/16 x 7/8") | 1 | 1 |
| 22 | | 42326X004 | Bar, Ratchet - Right/Left | 1 | 1 |
| 23 | | 04528X002 | Bracket, Release, Black | 1 | 1 |
| 24 | | 1022854-NLA | NLA - Screw, Shoulder Slotted Head (1/2 x 1-1/8", 3/8-16) | 1 | 1 |
| 25 | | 1026114 | Screw, Phillips Pan Head (#10-32 x 1/2") | 1 | 1 |
| 26 | | 1013519 | Washer, Nylon (5/16 x 11/16 x 1/16") | 1 | 1 |
| 27 | | 1037485 | Spring, Release | 1 | 1 |
| 28 | | 1025195 | Locknut (1/4-20) | 1 | 1 |
| 29 | | 1017148 | Pivot, Footrest | 1 | 1 |
| 30 | | 1029501 | Plug Button, Black (1") | 1 | 1 |
| 32 | | 1037125 | Cam, Legrest | 1 | 1 |
| 33 | | 1025454 | Housing, Latch - Right | 1 | 1 |
| 33 | | 1025455 | Housing, Latch - Left | 1 | 1 |
| 34 | | 1022866-NLA | NLA - Screw, Socket Button Head (3/8-16 x 3/4") | 1 | 2 |
| 35 | | 1022846-NLA | NLA - Bar, Link, Black | 1 | 1 |

Articulating Legrest Support - ATL4A

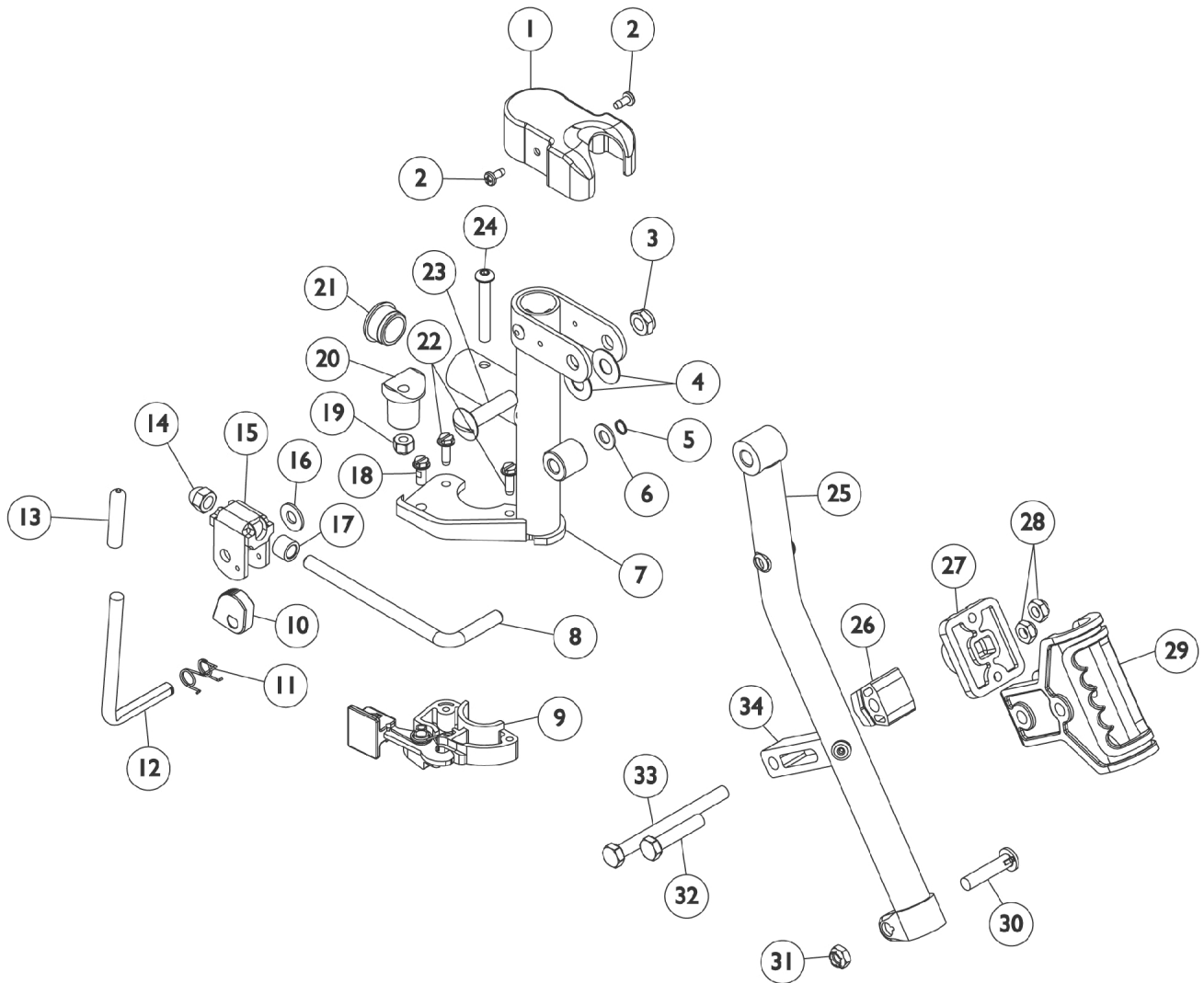
Articulating Legrests are available with Pull to Lock Wheel Locks only.

| Item Number | Note | Part Number | Description | Quantity Per | |
|-------------|------|-------------|---|--------------|----------|
| | | | | Package | Assembly |
| 36 | A | 1082540 | Articulating Legrest Support Assembly, Sector, Chrome - Right | 1 | 1 |
| 36 | A | 1082541 | Articulating Legrest Support Assembly, Sector, Chrome - Left | 1 | 1 |

NOTE: A - Includes items 1-35

Legrest Support - AT5044

Ratchet Style (Before 9/21/05)



Legrest Support - AT5044 Ratchet Style (Before 9/21/05)

| Item Number | Note | Part Number | Description | Quantity Per | |
|-------------|-------|--------------------|---|--------------|----------|
| | | | | Package | Assembly |
| 1 | | 1017187 | Cover, Top | 1 | 1 |
| 2 | | 1025729 | Screw, Phillips Pan Head Tap (#8-32 x 3/8") | 1 | 2 |
| 3 | | 40363X000 | Hex Nut (3/8"-16) | 1 | 1 |
| 4 | | 1058636-NLA | NLA - Washer, Nylon (25/64 x 7/8 x 1/32") | 1 | 2 |
| 5 | | 1040831 | Ring, Snap | 1 | 1 |
| 6 | | 1025704 | Washer, Flat (5/16 x 5/8 x 1/16") | 1 | 1 |
| 7 | F | 8881065812-NL A | NLA - Bracket, Legrest Support, Color - Right | 1 | 1 |
| 7 | F | 8881065813-NL A | NLA - Bracket, Legrest Support, Color - Left | 1 | 1 |
| 8 | | 1113030 | Bar, Ratchet | 1 | 1 |
| 9 | | 1025454 | Housing, Latch - Right | 1 | 1 |
| 9 | | 1025455 | Housing, Latch - Left | 1 | 1 |
| 10 | | 1037125 | Cam, Legrest | 1 | 1 |
| 11 | | 1037485 | Spring, Release | 1 | 1 |
| 12 | | 1065802-NLA | NLA - Handle, Release | 1 | 1 |
| 13 | | 1040060 | Tip, Plastic, Black | 1 | 1 |
| 14 | | 10261X000 | Nut, Acorn (5/16-24) | 1 | 1 |
| 15 | | 04528X002 | Bracket, Release, Black | 1 | 1 |
| 16 | | 1013519 | Washer, Nylon (5/16 x 11/16 x 1/16") | 1 | 1 |
| 17 | | 47330X003 | Spacer (5/16 x 1/2 x 3/8") | 1 | 1 |
| 18 | | 1017423 | Screw, Slotted Hex Washer Head w/ Patch (#10-32 x 1/2") | 1 | 1 |
| 19 | | 1025736 | Locknut (1/4-20) | 1 | 1 |
| 20 | | 1017148 | Pivot, Footrest | 1 | 1 |
| 21 | | 1056328 | Plug Button, Black (1") | 1 | 1 |
| 22 | | 1025451 | Screw, Slotted Hex Washer Head (#10-32 x 5/8") | 1 | 2 |
| 23 | | 11919X000-NLA | NLA - Screw, Slotted Truss Head (3/8-16 x 1-1/2") | 1 | 1 |
| 24 | | 1001762 | Screw, Socket Button Head (1/4-20 x 1-3/4") | 1 | 1 |
| 25 | C | 1043556-NLA | NLA - Tube, Elevating Adjustable Support, Black - Right | 1 | 1 |
| 25 | C | 1043557-NLA | NLA - Tube, Elevating Adjustable Support, Black - Left | 1 | 1 |
| 26 | | 1025133 | Spacer, Legrest Pad, Black | 1 | 1 |
| 27 | | 04526X019 | Plate, Legrest Pad | 1 | 1 |
| 28 | | 1025730 | Locknut (5/16-24) | 1 | 3 |
| 29 | | 1032266 | Bracket, Legrest Pad Mounting, Black | 1 | 1 |
| 30 | | 1026030 | Bolt, Lug (5/16-24 x 1-3/8") | 1 | 1 |
| 32 | | 1028514 | Screw, Hex Head (5/16-24 x 1-1/2") | 1 | 1 |
| 33 | | 1037110 | Screw, Hex Head (5/16-24 x 3-1/2") | 1 | 1 |
| 34 | | 1032267 | Spacer, Legrest Pad Mounting, Black | 1 | 1 |
| | B,D,E | 8881065806 | Legrest Support Assembly, Sector, Color - Right | 1 | 1 |
| | B,D,E | 8881065807 | Legrest Support Assembly, Sector, Color - Left | 1 | 1 |

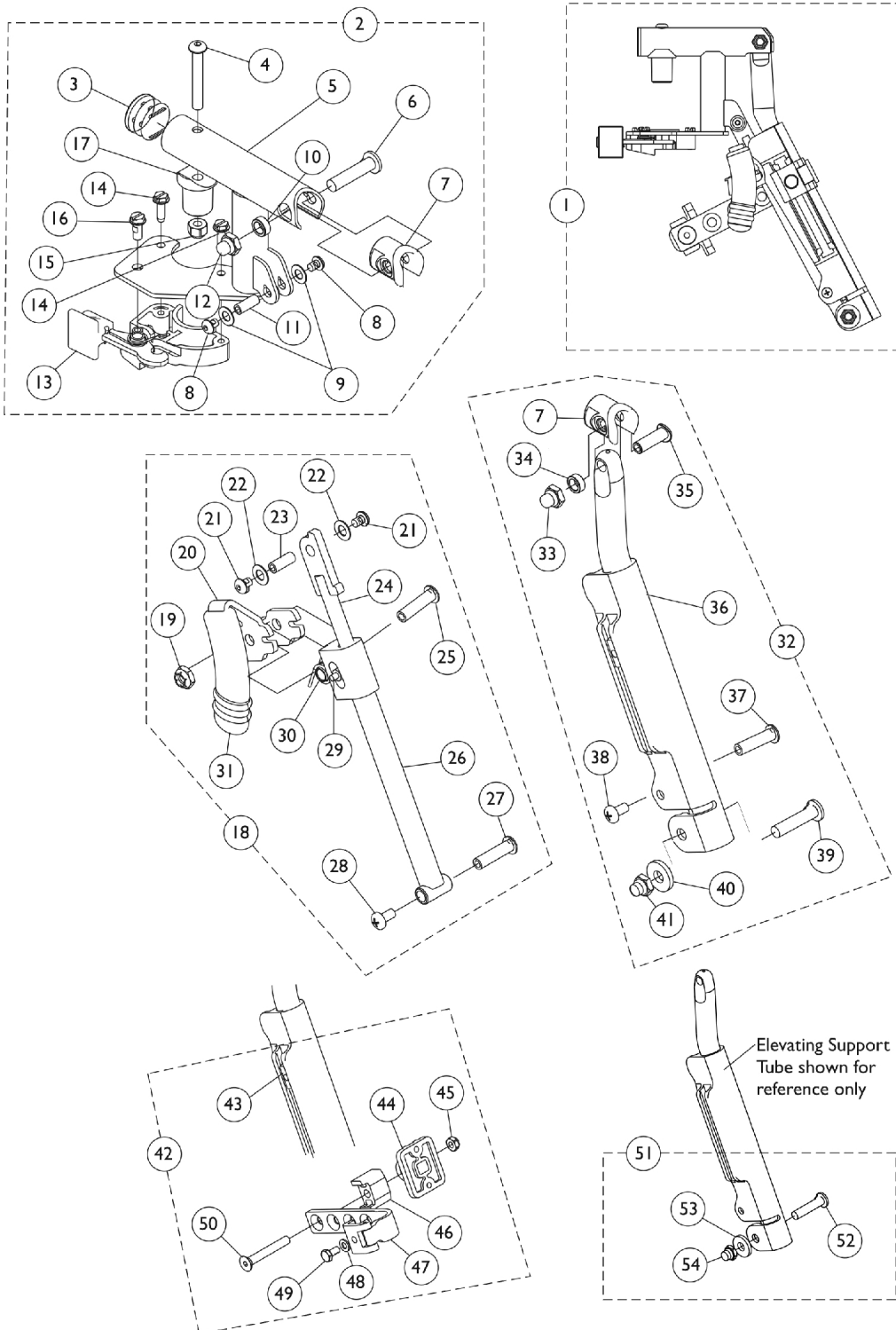
Legrest Support - AT5044 Ratchet Style (Before 9/21/05)

| Item Number | Note | Part Number | Description | Quantity Per | |
|--|-------|--------------------|---|--------------|----------|
| | | | | Package | Assembly |
| | A,C,E | 8881065804-NL A | NLA - Legrest Support Assembly, Sector, Color - Right | 1 | 1 |
| | A,C,E | 8881065805-NL A | NLA - Legrest Support Assembly, Sector, Color - Left | 1 | 1 |
| <p>NOTE: A - Includes Items 1-34 with Calf Pad. B - 12-20" Wide Chairs C - 22" Wide Chairs D - Includes items 1-16 and 18-34. E - Not Shown. F - Specify frame finish when ordering</p> <p>See Calf Pad and Ratchet Assembly sections for their prospective part numbers.</p> | | | | | |

Legrest Support Assembly - AT5044

Wedge Style ("D" shaped tubing) Intro. 9/21/05

Specify frame finish when ordering. Legrest Support does not include Legrest Pad.



Legrest Support Assembly - AT5044

Wedge Style ("D" shaped tubing) Intro. 9/21/05

Specify frame finish when ordering. Legrest Support does not include Legrest Pad.

| Item Number | Note | Part Number | Description | Quantity Per | |
|-------------|------|-------------|---|--------------|----------|
| | | | | Package | Assembly |
| 1 | A,G | 8881128698 | Legrest Support Assembly, Sector, Color - Right | 1 | 1 |
| 1 | A,G | 8881128699 | Legrest Support Assembly, Sector, Color - Left | 1 | 1 |
| 2 | B,G | 8881130747 | Legrest Support Tube Assembly, Sector, Color - Right | 1 | 1 |
| 3 | | | Plug Button, Black (1") | 1 | 1 |
| 4 | | | Screw, Socket Button Head (1/4-20 x 1-3/4") | 1 | 1 |
| 5 | | | Tube, Legrest Support, Sector, Color - Right | 1 | 1 |
| 6 | | | Bolt, Lug (5/16-24 x 1-3/8") | 1 | 1 |
| 7 | | | Plug, Insert (7/8") | 1 | 1 |
| 8 | | | Screw, Socket Button Head w/ Patch (#10-32 x 1/4") | 1 | 2 |
| 9 | | | Washer (1/4 x 1/2 x 1/32") | 1 | 2 |
| 10 | | | Spacer (5/16 x 1/2 x 3/16") | 1 | 1 |
| 11 | | | Spacer, Threaded (10-32 x 1/4 x 5/8") | 1 | 1 |
| 12 | | | Nut, Low Cap (5/16"-24) | 1 | 1 |
| 13 | | | Housing, Latch - Right | 1 | 1 |
| 14 | | | Screw, Slotted Hex Washer Head (#10-32 x 5/8") | 1 | 2 |
| 15 | | | Locknut (1/4-20) | 1 | 1 |
| 16 | | | Screw, Slotted Hex Washer Head w/ Patch (#10-32 x 1/2") | 1 | 1 |
| 17 | | | Pivot, Footrest | 1 | 1 |
| 3 | | 1140823 | Package, Plug Button, Black (1") | 10 | 1 |
| 2 | B,G | 8881130748 | Legrest Support Tube Assembly, Sector, Color - Left | 1 | 1 |
| 3 | | | Plug Button, Black (1") | 1 | 1 |
| 4 | | | Screw, Socket Button Head (1/4-20 x 1-3/4") | 1 | 1 |
| 5 | | | Tube, Legrest Support, Sector, Color - Left | 1 | 1 |
| 6 | | | Bolt, Lug (5/16-24 x 1-3/8") | 1 | 1 |
| 7 | | | Plug, Insert (7/8") | 1 | 1 |
| 8 | | | Screw, Socket Button Head w/ Patch (#10-32 x 1/4") | 1 | 2 |
| 9 | | | Washer (1/4 x 1/2 x 1/32") | 1 | 2 |
| 10 | | | Spacer (5/16 x 1/2 x 3/16") | 1 | 1 |
| 11 | | | Spacer, Threaded (10-32 x 1/4 x 5/8") | 1 | 1 |
| 12 | | | Nut, Low Cap (5/16"-24) | 1 | 1 |
| 13 | | | Housing, Latch - Left | 1 | 1 |
| 14 | | | Screw, Slotted Hex Washer Head (#10-32 x 5/8") | 1 | 2 |
| 15 | | | Locknut (1/4-20) | 1 | 1 |
| 16 | | | Screw, Slotted Hex Washer Head w/ Patch (#10-32 x 1/2") | 1 | 1 |
| 17 | | | Pivot, Footrest | 1 | 1 |
| 3 | | 1140823 | Package, Plug Button, Black (1") | 10 | 1 |
| 18 | C | 1130749 | Kit, Pivot Rod Assembly - Right | 1 | 1 |

Legrest Support Assembly - AT5044

Wedge Style ("D" shaped tubing) Intro. 9/21/05

Specify frame finish when ordering. Legrest Support does not include Legrest Pad.

| Item Number | Note | Part Number | Description | Quantity Per | |
|-------------|------|--------------------|--|--------------|----------|
| | | | | Package | Assembly |
| 19 | | | Locknut (1/4-20) | 1 | 1 |
| 20 | | | Lever, Release - Right | 1 | 1 |
| 21 | | | Screw, Socket Button Head w/ Patch (#10-32 x 1/4") | 1 | 2 |
| 22 | | | Washer (1/4 x 1/2 x 1/32") | 1 | 2 |
| 23 | | | Spacer, Threaded (10-32 x 1/4 x 5/8") | 1 | 1 |
| 24 | | | Rod, Pivot | 1 | 1 |
| 25 | | | NLA - Screw, Socket Button Head (1/4-20 x 1-1/4") | 1 | 1 |
| 26 | | | Guide, Pivot Rod | 1 | 1 |
| 27 | | | Rivnut (10-32 x 1") | 1 | 1 |
| 28 | | | NLA - Screw, Phillips Pan Head w/Patch (#10-24 x 3/8") | 1 | 1 |
| 29 | | | Pin, Roller | 1 | 1 |
| 30 | | | Spring, Torsion | 1 | 1 |
| 31 | | | Cap, Brake Lever End, Black | 1 | 1 |
| 31 | | 1130584 | Package, Cap, Brake Lever End, Black | 10 | 1 |
| 18 | C | 1130750 | Kit, Pivot Rod Assembly - Left | 1 | 1 |
| 19 | | | Locknut (1/4-20) | 1 | 1 |
| 20 | | | Lever, Release - Left | 1 | 1 |
| 21 | | | Screw, Socket Button Head w/ Patch (#10-32 x 1/4") | 1 | 2 |
| 22 | | | Washer (1/4 x 1/2 x 1/32") | 1 | 2 |
| 23 | | | Spacer, Threaded (10-32 x 1/4 x 5/8") | 1 | 1 |
| 24 | | | Rod, Pivot | 1 | 1 |
| 25 | | | NLA - Screw, Socket Button Head (1/4-20 x 1-1/4") | 1 | 1 |
| 26 | | | Guide, Pivot Rod | 1 | 1 |
| 27 | | | Rivnut (10-32 x 1") | 1 | 1 |
| 28 | | | NLA - Screw, Phillips Pan Head w/Patch (#10-24 x 3/8") | 1 | 1 |
| 29 | | | Pin, Roller | 1 | 1 |
| 30 | | | Spring, Torsion | 1 | 1 |
| 31 | | | Cap, Brake Lever End, Black | 1 | 1 |
| 31 | | 1130584 | Package, Cap, Brake Lever End, Black | 10 | 1 |
| 32 | D,G | 8881164115-NL A | NLA - Kit, Elevating Support Tube, Color - Right | 1 | 1 |
| 7 | | | Plug, Insert (7/8") | 1 | 1 |
| 33 | | | Locknut, Nylon Cap (5/16-24) | 1 | 1 |
| 34 | | | Spacer (5/16 x 1/2 x 3/16") | 1 | 1 |
| 35 | | | Screw, Lug (5/16-24 x 1-3/8") | 1 | 1 |
| 36 | | | Tube, Elevating Support, Color - Right | 1 | 1 |
| 37 | | | Rivnut, Phillips Pan Head (10-24 x 1") | 1 | 1 |
| 38 | | | Screw, Phillips Pan Head w/ Patch (10-24 x 3/8") | 1 | 1 |
| 39 | | | Screw, Lug (5/16-24 x 1-3/8") | 1 | 1 |

Legrest Support Assembly - AT5044

Wedge Style ("D" shaped tubing) Intro. 9/21/05

Specify frame finish when ordering. Legrest Support does not include Legrest Pad.

| Item Number | Note | Part Number | Description | Quantity Per | |
|-------------|------|--------------------|---|--------------|----------|
| | | | | Package | Assembly |
| 40 | | | Washer (11/32 x 53/64 x 1/8") | 1 | 1 |
| 41 | | | Locknut, Nylon Cap (5/16-24) | 1 | 1 |
| 32 | D,G | 8881164116-NL A | NLA - Kit, Elevating Support Tube, Color - Left | 1 | 1 |
| 7 | | | Plug, Insert (7/8") | 1 | 1 |
| 33 | | | Locknut, Nylon Cap (5/16-24) | 1 | 1 |
| 34 | | | Spacer (5/16 x 1/2 x 3/16") | 1 | 1 |
| 35 | | | Screw, Lug (5/16-24 x 1-3/8") | 1 | 1 |
| 36 | | | Tube, Elevating Support, Color - Left | 1 | 1 |
| 37 | | | Rivnut, Phillips Pan Head (10-24 x 1") | 1 | 1 |
| 38 | | | Screw, Phillips Pan Head w/ Patch (10-24 x 3/8") | 1 | 1 |
| 39 | | | Screw, Lug (5/16-24 x 1-3/8") | 1 | 1 |
| 40 | | | Washer (11/32 x 53/64 x 1/8") | 1 | 1 |
| 41 | | | Locknut, Nylon Cap (5/16-24) | 1 | 1 |
| 42 | F | 1130754 | Kit, Legrest Pad Hardware | 1 | 1 |
| 43 | | | T-Nut (1/4-20) | 1 | 1 |
| 44 | | | Plate, Legrest Pad | 1 | 1 |
| 45 | | | Locknut (5/16-18) | 1 | 1 |
| 46 | | | Spacer, Legrest Pad, Black | 1 | 1 |
| 47 | | | Bracket Assembly, Adjustable Legrest Pad, Color | 1 | 1 |
| 48 | | | NLA - Washer, Steel (1/4 x 1/2 x 3/64") | 1 | 1 |
| 49 | | | Screw, Hex Head w/ Patch (1/4-20 x 1/2") | 1 | 1 |
| 50 | | | Screw, Socket Flat Head (5/16-18 x 2-1/4") | 1 | 1 |
| 51 | E | 1130753 | Kit, Pivot Slide Tube Attaching Hardware | 1 | 1 |
| 52 | | | Screw, Lug (5/16-24 x 1-3/8") | 1 | 1 |
| 53 | | | Washer (11/32 x 53/64 x 1/8") | 1 | 1 |
| 54 | | | Locknut, Nylon Cap (5/16-24) | 1 | 1 |
| | H | 1151367 | Kit, Housing Latch Handle w/Hardware - Right | 1 | 1 |
| 13 | | | Housing, Latch - Right | 1 | 1 |
| 14 | | | Screw, Slotted Hex Washer Head (#10-32 x 5/8") | 1 | 2 |
| 16 | | | Screw, Slotted Hex Washer Head w/ Patch (#10-32 x 1/2") | 1 | 1 |
| | H | 1151368 | Kit, Housing Latch Handle w/Hardware - Left | 1 | 1 |
| 13 | | | Housing, Latch - Left | 1 | 1 |
| 14 | | | Screw, Slotted Hex Washer Head (#10-32 x 5/8") | 1 | 2 |
| 16 | | | Screw, Slotted Hex Washer Head w/ Patch (#10-32 x 1/2") | 1 | 1 |

Legrest Support Assembly - AT5044

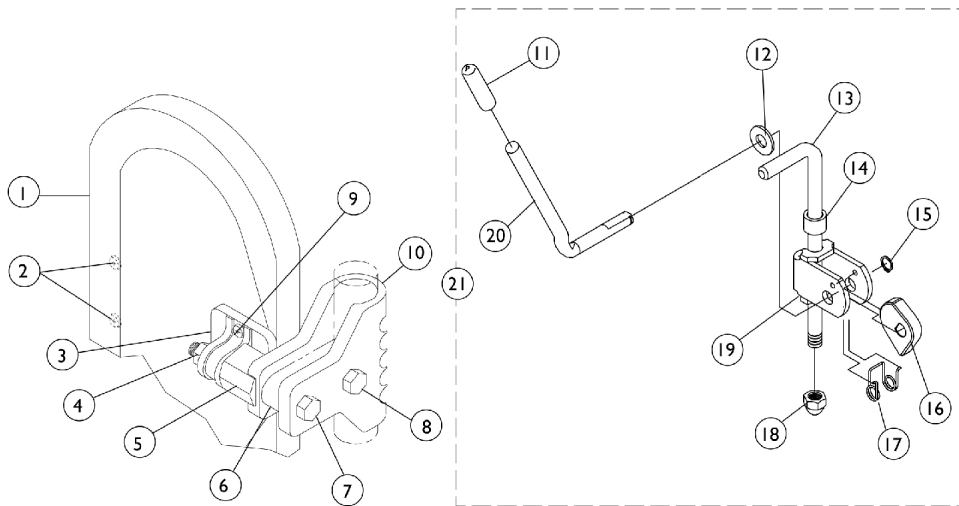
Wedge Style ("D" shaped tubing) Intro. 9/21/05

Specify frame finish when ordering. Legrest Support does not include Legrest Pad.

NOTE: A - Includes items 2,18,32, & 42
B - Includes items 3-17
C - Includes items 19-31
D - Includes items 7 and 33-41
E - Includes items 52-54
F - Includes items 43-50
G - Specify frame finish when ordering
H - Includes items 13, 14 and 16.

Legrest Calf Pads & Ratchet Assemblies

Due to a change to the Legrest Calf Pad size made on 4/23/12, you must also order the hardware kit (1066591) when ordering replacement Calf Pads.



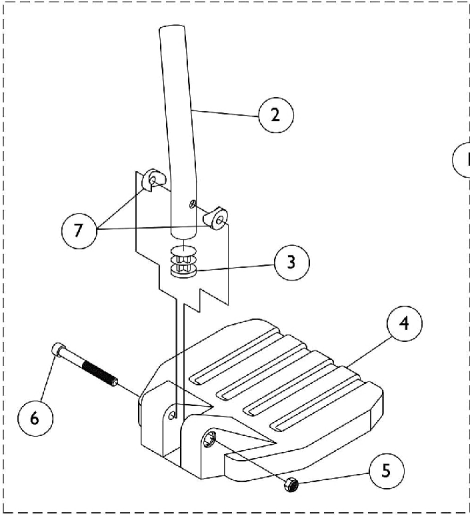
Legrest Calf Pads & Ratchet Assemblies

Due to a change to the Legrest Calf Pad size made on 4/23/12, you must also order the hardware kit (1066591) when ordering replacement Calf Pads.

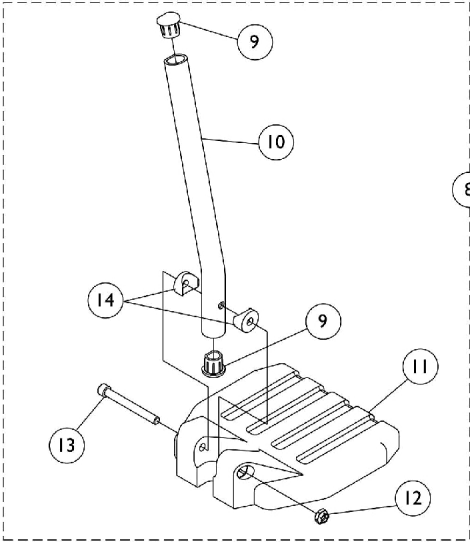
| Item Number | Note | Part Number | Description | Quantity Per | |
|-------------|-------|---------------|---|--------------|----------|
| | | | | Package | Assembly |
| 1 | A,B,H | 88804529X003 | Pad, Legrest, Vinyl - Right | 1 | 1 |
| 1 | A,B,H | 88804529X004 | Pad, Legrest, Vinyl - Left | 1 | 1 |
| 1 | A,C,H | 8881091764 | Pad, Legrest, Vinyl - Right/Left | 1 | 1 |
| 2 | | 40163X006-NLA | NLA - Screw, Phillips Pan Head (#10-14 x 1/16") | 1 | 1 |
| 3 | | 04526X019 | Plate, Legrest Pad | 1 | 1 |
| 4 | | 1025730 | Locknut (5/16-24) | 1 | 1 |
| 5 | | 1025133 | Spacer, Legrest Pad, Black | 1 | 1 |
| 6 | | 1032267 | Spacer, Legrest Pad Mounting, Black | 1 | 1 |
| 7 | | 1037110 | Screw, Hex Head (5/16-24 x 3-1/2") | 1 | 1 |
| 8 | | 1028514 | Screw, Hex Head (5/16-24 x 1-1/2") | 1 | 1 |
| 9 | G | 1066591 | Hardware, Legrest Pad | 1 | 1 |
| | | | Screw, Phillips Pan Head (#10-32 x 11/16") | 1 | 2 |
| | | | Screw, Phillips Pan Head (#10-32 x 1") | 1 | 2 |
| | | | Instruction Sheet, Legrest Pad Mtg. | 1 | 1 |
| 10 | | 1032266 | Bracket, Legrest Pad Mounting, Black | 1 | 1 |
| 11 | | 1040060 | Tip, Plastic, Black | 1 | 2 |
| 12 | | 1013519 | Washer, Nylon (5/16 x 11/16 x 1/16") | 1 | 2 |
| 13 | D | 42326X004 | Bar, Ratchet - Right/Left | 1 | 2 |
| 14 | D | 47330X003 | Spacer (5/16 x 1/2 x 3/8") | 1 | 2 |
| 15 | | 1040831 | Ring, Snap | 1 | 2 |
| 16 | | 1037125 | Cam, Legrest | 1 | 2 |
| 17 | | 1037485 | Spring, Release | 1 | 2 |
| 18 | | 10261X000 | Nut, Acorn (5/16-24) | 1 | 2 |
| 19 | | 04528X002 | Bracket, Release, Black | 1 | 2 |
| 20 | | 1037126 | Handle, Release | 1 | 2 |
| 21 | D,E | 1046329 | Kit, Elevating Legrest Ratchet Hardware (Pair) | 2 | 1 |
| | F,I | 1042798-NLA | NLA - Instruction Sheet, Ratchet Kit | 1 | 1 |

NOTE: A - Specify upholstery color U67 Black when ordering.
 B - 14-15" wide
 C - 16" wide
 D - Used only on Ratchet Style AT5044 Elevating Legrest
 E - Includes items 11-20 plus instruction sheet
 F - Not Shown
 G - Includes Screws and Instruction Sheet.
 H - Due to a change to the Legrest Calf Pad size made on 4/23/12, you must also order the hardware kit (1066591) when ordering replacement Calf Pads.
 I - Item is no longer available from the Invacare Service Parts Department. Refer to the Invacare Website under "Product Literature Search". Enter the part number in the "Keywords" field and download a free PDF version copy.

Footplate & Pivot Tube Assemblies - 1651 Composite



Used on all front riggings except
Wedge Style Elevating Legrests AT5044



Used on Wedge Style Elevating Legrests AT5044

Footplate & Pivot Tube Assemblies - 1651 Composite

| Item Number | Note | Part Number | Description | Quantity Per | |
|-------------|------|-------------|---|--------------|----------|
| | | | | Package | Assembly |
| 1 | E | See Chart | #1 60° Footrest (13-19") | 1 | 1 |
| 1 | E | See Chart | #1 60° MFX Footrest (9-3/4-14") | 1 | 1 |
| 1 | E | See Chart | #1 70° Non Tapered Footrest (14-19") | 1 | 1 |
| 1 | E | See Chart | #1 AT5044 Elevating Legrest - Ratchet Style (16-20") | 1 | 1 |
| 2 | A | 1120383 | Tube, Pivot/Slide, Curved End, Black - Short (8-1/4") | 1 | 1 |
| 2 | B | 1120382 | Tube, Pivot/Slide, Curved End, Black - Long (9-7/8") | 1 | 1 |
| 2 | C | 1120384-NLA | NLA - Tube, Pivot/Slide, Straight - Alum. (9-7/8" L) | 1 | 1 |
| 3 | | 1134426 | Package, Plug Button, Black (3/4") | 10 | 1 |
| 4 | | 1026879 | Footplate, Composite, Small, Black (6" W x 6" L) | 1 | 1 |
| 4 | | 1026880 | Footplate, Composite, Medium, Black (7" W x 6" L) | 1 | 1 |
| 4 | | 1026881 | Footplate, Composite, Large, Black (8" W x 6" L) | 1 | 1 |
| 5 | | 1025195 | Locknut (1/4-20) | 1 | 1 |
| 6 | | 60285X006 | Screw, Socket Head (1/4-20 x 2-1/4") | 1 | 1 |
| 7 | | 1025457 | Spacer, Coved (1/4 x 3/4 x 11/32") | 1 | 2 |
| 8 | F | See Chart | #8 AT5044 Elevating Legrest - Wedge Style (16-20") | 1 | 1 |
| 9 | | 1134427 | Package, Plug Button, Black, "D" Shaped (3/4") | 10 | 1 |
| 10 | D | 1134428 | Pivot/Slide Tube w/ D Insert, Black | 1 | 1 |
| 10 | D | 1134429 | Pivot/Slide Tube w/ D Insert, Black (2" Longer) | 1 | 1 |
| 11 | | 1026879 | Footplate, Composite, Small, Black (6" W x 6" L) | 1 | 1 |
| 11 | | 1026880 | Footplate, Composite, Medium, Black (7" W x 6" L) | 1 | 1 |
| 11 | | 1026881 | Footplate, Composite, Large, Black (8" W x 6" L) | 1 | 1 |
| 12 | | 1025195 | Locknut (1/4-20) | 1 | 1 |
| 13 | | 60285X006 | Screw, Socket Head (1/4-20 x 2-1/4") | 1 | 1 |
| 14 | | 1025457 | Spacer, Coved (1/4 x 3/4 x 11/32") | 1 | 2 |

NOTE: A - 60° MFX Footrests
 B - 60° Footrests, and AT5044 Ratchet Style Legrests
 C - 70° Footrests
 D - AT5044 Wedge Style Legrests
 E - Includes items 2-7
 F - Includes items 9-14

#1 60° Footrest 13-19" Curved End

| Right/Left | Small Long 14" wide | Medium Long 15-16" wide |
|------------|---------------------------|-------------------------------|
| Right | 1028391 | 1028387 |
| Left | 1028392 | 1028388 |

Footplate & Pivot Tube Assemblies - 1651 Composite

**#1 60° MFX Footrest
9-3/4 - 14"
Curved End**

| Right/Left | Small Short 14" wide | Medium Short 15-16" wide |
|------------|----------------------------|--------------------------------|
| Right | 1028389-NLA | 1028385-NLA |
| Left | 1028390-NLA | 1028386-NLA |

**#1 70° Non Tapered
14-19"
Straight**

| Right/Left | Small Short 13-14" wide | Medium Short 15-16" wide |
|------------|-------------------------------|--------------------------------|
| Right | 1042784-NLA | 1042786 |
| Left | 1042785-NLA | 1042787 |

**#1 AT5044 Elevating Legrest - Ratchet Style
16-20"
Curved End**

| Right/Left | Small Long 14" wide | Small 2" Longer 14" wide | Medium Long 15-16" wide | Medium 2" Longer 15-16" wide | Large Long 17-22" wide | Large 2" Longer 17-22" wide |
|------------|---------------------------|--------------------------------|-------------------------------|------------------------------------|------------------------------|-----------------------------------|
| Right | 1028391 | 1120416 | 1028387 | 1120418 | 1028383 | 1120420 |
| Left | 1028392 | 1120417 | 1028388 | 1120419 | 1028384 | 1120421 |

Footplate & Pivot Tube Assemblies - 1651 Composite

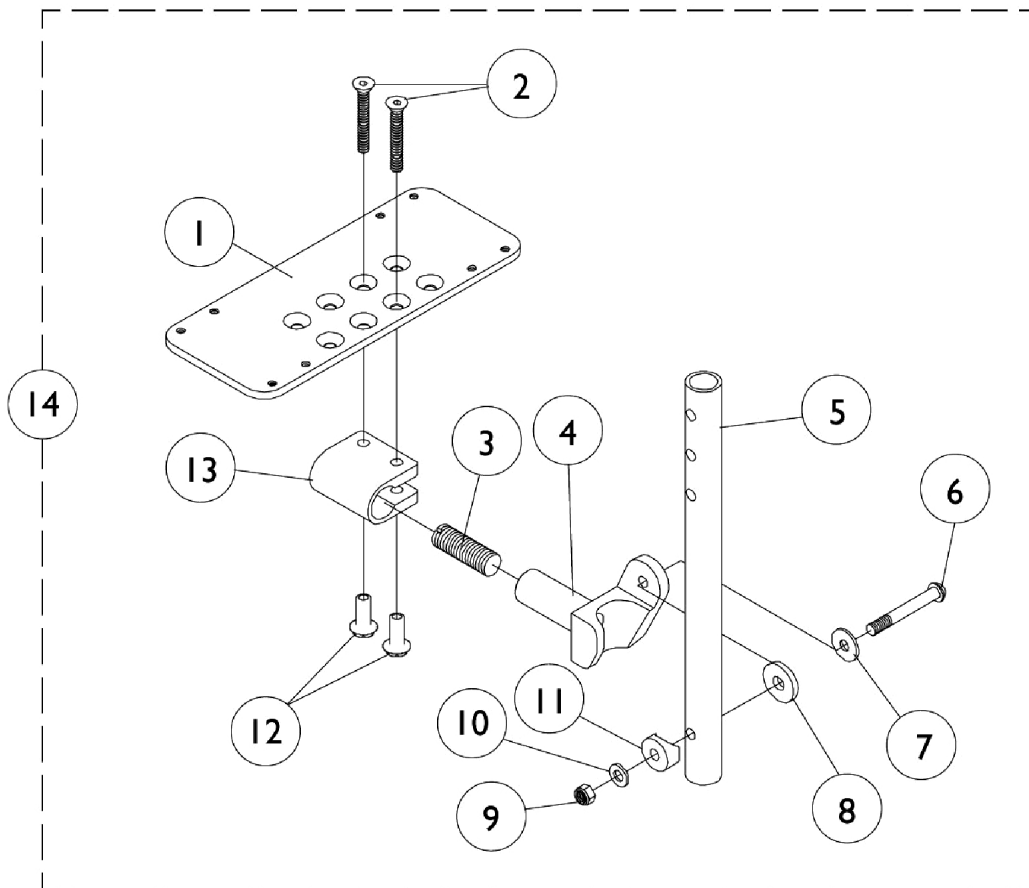
#8 AT5044 Elevating Legrest - Wedge Style

16-20"

Curved End

| Right/Left | Small Long 14" wide | Medium Long 15-16" wide |
|------------|---------------------------|-------------------------------|
| Right | 1132078 | 1132080 |
| Left | 1132079 | 1132081 |

Adjustable Angle Footplate with Pivot Tube - AT5543 (Before 6/1/03)



Adjustable Angle Footplate with Pivot Tube - AT5543 (Before 6/1/03)

| Item Number | Note | Part Number | Description | Quantity Per | |
|-------------|------|-------------|---|--------------|----------|
| | | | | Package | Assembly |
| 1 | | 1060425-NLA | NLA - Footplate, Adjustable Angle, Small, Black (3-1/4" W x 8" L) | 1 | 1 |
| 1 | | 1060426-NLA | NLA - Footplate, Adjustable Angle, Medium, Black (4-1/4" W x 8" L) | 1 | 1 |
| 1 | | 1060427-NLA | NLA - Footplate, Adjustable Angle, Large, Black (5-1/4" W x 8" L) | 1 | 1 |
| 1 | | 1062569-NLA | NLA - Footplate, Adjustable Angle, Extra Large, Black (6-1/4" W x 8" L) | 1 | 1 |
| 2 | A | 1029545 | Screw, Socket Flat Head (1/4-20 x 3/4") | 1 | 2 |
| 3 | | 1048816 | Screw, Nylon Adjustment (1/2-13 x 7/8") | 1 | 1 |
| 4 | | 1052102 | Hinge, Footplate - Right | 1 | 1 |
| 4 | | 1052103 | Hinge, Footplate - Left | 1 | 1 |
| 5 | | 1120384-NLA | NLA - Tube, Pivot/Slide, Straight - Alum. (9-7/8" L) | 1 | 1 |
| 5 | | 1120385 | Tube, Pivot/Slide, Straight - Black (11-7/8" L) | 1 | 1 |
| 6 | | 7930321-NLA | NLA Package, Screw, Socket Button Head (1/4-20 x 1-7/8") | 25 | 1 |
| 7 | | 1026900 | Washer (1/4 x 23/32 x 1/16") | 1 | 1 |
| 8 | | 7930313 | Package, Washer, Nylon (5/16 x 7/8 x 1/8") | 25 | 1 |
| 9 | | 7930333 | Locknut (1/4-20) | 25 | 1 |
| 10 | | 1026907 | Washer (1/4 x 1/2 x 1/16") | 1 | 1 |
| 11 | | 1025457 | Spacer, Coved (1/4 x 3/4 x 11/32") | 1 | 1 |
| 12 | A | 1082686 | Nut, Barrel, Hex Head (1/4-20 x 11/16") | 1 | 2 |
| 13 | A | 1058517 | Clamp, Footplate | 1 | 1 |
| 14 | | See Chart | #14 90 Degree and 70 Degree MFX | 1 | 1 |
| 14 | | See Chart | #14 70 Degree Tapered | 1 | 1 |
| 14 | | See Chart | #14 60 Degree, 60 Degree MFX, 70 Degree Non-Tapered, & ELR's | 1 | 1 |

NOTE: A - Due to a hardware change, for chairs built Before 8/99 items 2, 12, and 13 must be ordered together.

Item #14 Adjustable Angle Footplate w/ Pivot Tube

60 Degree, 60 Degree MFX, 70 Degree Non-Tapered, & ELR's

| Straight Slide Tube (9-7/8") | Right | Left |
|--|-------------|-------------|
| 10-11" Wide (3-1/4" Footplate) | 1060428-NLA | 1060429-NLA |
| 12-13" Wide (4-1/4" Footplate) | 1060430 | 1060431 |
| 14-15" Wide (5-1/4" Footplate) | 1060432 | 1060433 |
| 16" Wide (6-1/4" Footplate) | 1062572 | 1062573 |
| ALPT Straight Slide Tube (11-7/8") Aluminum | Right | Left |
| 10-11" Wide (3-1/4" Footplate) | 1062574-NLA | 1062575-NLA |
| 12-13" Wide (4-1/4" Footplate) | 1062576-NLA | 1062577-NLA |
| 14-15" Wide (5-1/4" Footplate) | 1060440-NLA | 1060441 |
| 16" Wide (6-1/4" Footplate) | 1062578 | 1062579 |

Adjustable Angle Footplate with Pivot Tube - AT5543

(Before 6/1/03)

Adjustable Angle Footplate with Pivot Tube - AT5543 (Before 6/1/03)

Item #14 Adjustable Angle Footplate w/ Pivot Tube

70 Degree Tapered

| Straight Pivot Tube (9-7/8") | Right | Left |
|---------------------------------------|-------------|-------------|
| 16" Wide (4-1/4" Footplate) | 1060430 | 1060431 |
| ALPT Straight Pivot Tube (11-7/8") | Right | Left |
| 16" Wide (4-1/4" Footplate) | 1062576-NLA | 1062577-NLA |

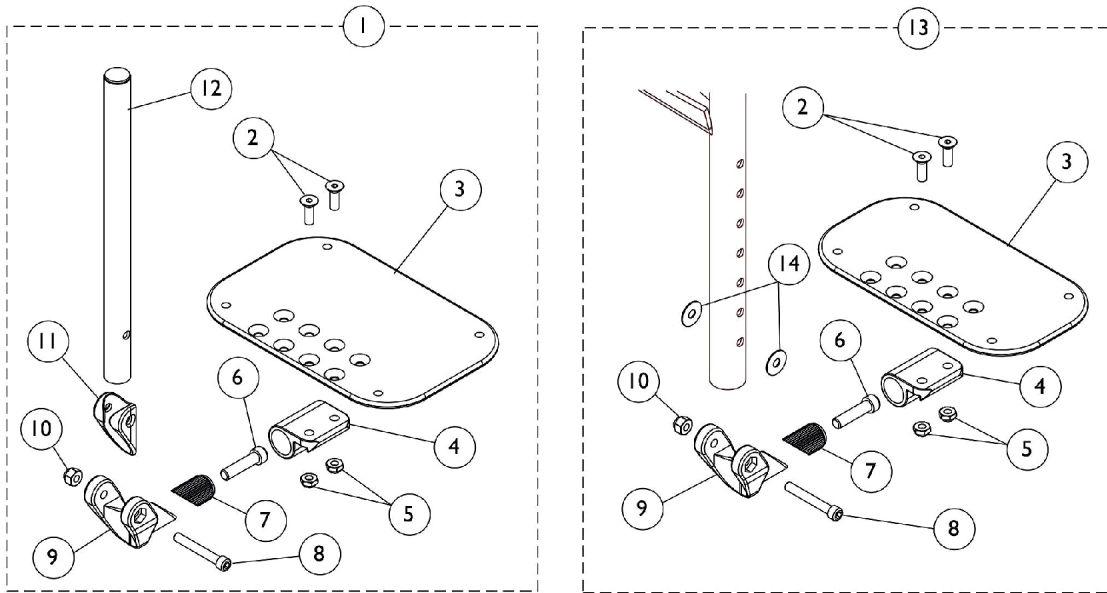
Item #14 Adjustable Angle Footplate w/ Pivot Tube

90 Degree and 70 Degree MFX

| No Pivot Tube Bolts Through Support | Right | Left |
|--|-------------|-------------|
| 10-11" Wide (3-1/4" Footplate) | 1060434-NLA | 1060435-NLA |
| 12-13" Wide (4-1/4" Footplate) | 1060436-NLA | 1060437 |
| 14-15" Wide (5-1/4" Footplate) | 1060438 | 1060439 |
| 16" Wide (6-1/4" Footplate) | 1062570 | 1062571 |

Footplate and Pivot Tube Assemblies - AT5543 Adjustable Angle

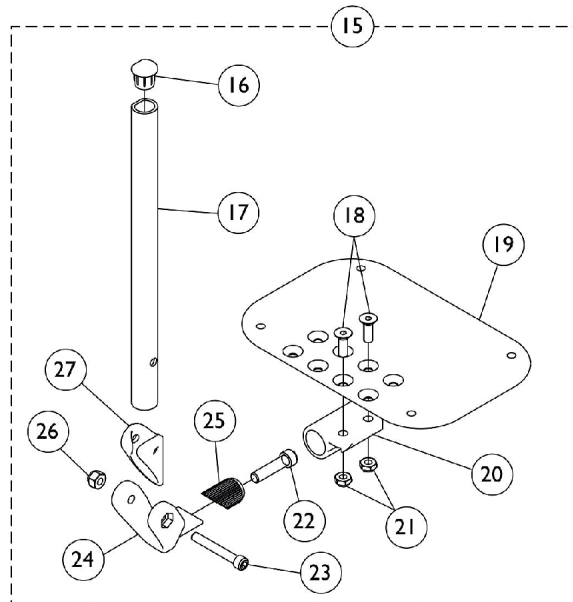
(After 5/31/03)



**Swingaway Front Riggings
Except 90 Degree and 70 Degree MFX**

90 Degree and 70 Degree MFX

Used on all front riggings except Wedge Style AT5044 Elevating Legrests



Used on Wedge Style AT5044 Elevating Legrests

Footplate and Pivot Tube Assemblies - AT5543 Adjustable Angle

(After 5/31/03)

| Item Number | Note | Part Number | Description | Quantity Per | |
|-------------|------|-------------|---|--------------|----------|
| | | | | Package | Assembly |
| 1 | C | See Chart | #1 60°, 60° MFX, 70° Non Tapered, & Ratchet Style AT5044 Front Riggings | 1 | 1 |
| 1 | C | See Chart | #1 70° Tapered Footrests | 1 | 1 |
| 2 | | 1113578 | Screw, Socket Flat Head (1/4-28 x 3/4") | 1 | 2 |
| 3 | G | 1113571 | Footplate, Adjustable Angle, Small, Black (3-1/4" W x 8" L) | 1 | 1 |
| 3 | G | 1113572 | Footplate, Adjustable Angle, Medium, Black (4-1/4" W x 8" L) | 1 | 1 |
| 3 | G | 1113573 | Footplate, Adjustable Angle, Large, Black (5-1/4" W x 8" L) | 1 | 1 |
| 3 | G | 1113574 | Footplate, Adjustable Angle, Extra Large, Black (6-1/4" W x 8" L) | 1 | 1 |
| 4 | | 1113528 | Bracket, Adjustable Angle Footplate, Black | 1 | 1 |
| 5 | | 1025765 | Locknut (1/4-28) | 1 | 2 |
| 6 | | 1021343 | Screw, Socket Head (5/16-18 x 1-1/4") | 1 | 1 |
| 7 | | 1113530 | Attachment, Hinge | 1 | 1 |
| 8 | | 1096810 | Screw, Socket Head (1/4-28 x 1-3/4") | 1 | 1 |
| 9 | | 1113529 | Hinge, Adjustable Angle Footrest | 1 | 1 |
| 10 | | 1065362 | Locknut (1/4-28) | 1 | 1 |
| 11 | | 1114688 | Spacer, Hinge, Black | 1 | 1 |
| 12 | A | 1114699 | Tube, Pivot/Slide, Straight, Black (10-1/4") | 1 | 1 |
| 12 | B | 1114700 | Tube, Pivot/Slide, Straight, 2" Longer ALPT, Black (12-1/4") | 1 | 1 |
| 13 | D | See Chart | #13 70°/90° MFX Footrests | 1 | 1 |
| 14 | | 1025456 | Washer, Nylon (3/4 x 1/4 x 1/32") | 1 | 2 |
| 15 | E | See Chart | #15 Wedge Style AT5044 Elevating Legrests | 1 | 1 |
| 16 | | 1134427 | Package, Plug Button, Black, "D" Shaped (3/4") | 10 | 1 |
| 17 | F | 1134433 | Pivot/Slide Tube w/ D Insert, Black | 1 | 1 |
| 17 | F | 1134432 | Pivot/Slide Tube w/ D Insert, Black (2" Longer) | 1 | 1 |
| 18 | | 1113578 | Screw, Socket Flat Head (1/4-28 x 3/4") | 1 | 2 |
| 19 | | 1113573 | Footplate, Adjustable Angle, Large, Black (5-1/4" W x 8" L) | 1 | 1 |
| 19 | | 1113574 | Footplate, Adjustable Angle, Extra Large, Black (6-1/4" W x 8" L) | 1 | 1 |
| 20 | | 1113528 | Bracket, Adjustable Angle Footplate, Black | 1 | 1 |
| 21 | | 1025765 | Locknut (1/4-28) | 1 | 2 |
| 22 | | 1021343 | Screw, Socket Head (5/16-18 x 1-1/4") | 1 | 1 |
| 23 | | 1096810 | Screw, Socket Head (1/4-28 x 1-3/4") | 1 | 1 |
| 24 | | 1113529 | Hinge, Adjustable Angle Footrest | 1 | 1 |
| 25 | | 1113530 | Attachment, Hinge | 1 | 1 |
| 26 | | 1065362 | Locknut (1/4-28) | 1 | 1 |
| 27 | | 1114688 | Spacer, Hinge, Black | 1 | 1 |

Footplate and Pivot Tube Assemblies - AT5543 Adjustable Angle

(After 5/31/03)

NOTE: A - 60°, 60° MFX, 70° Tapered, 70° Non Tapered Footrests, and Ratchet Style AT5044 Legrest.
B - ALPT 2" Longer
C - Includes items 2-12
D - Includes items 2-10 & 14
E - Includes items 16-27
F - Wedge Style AT5044 Legrest
G - This footplate was revised 9/2/2008 with rounder corners and accessory holes changed from 8 to 4. Recommended to replace footplate in pairs to match sides.

Footplate and Pivot Tube Assemblies - AT5543 Adjustable Angle

(After 5/31/03)

#1 Adjustable Angle Footplates w/ Pivot Tubes

60°, 60° MFX, 70° Non Tapered, & Ratchet Style AT5044 Front Riggings

| Straight Slide Tube (10-1/4") | Right | Left |
|------------------------------------|-------------|-------------|
| 10-11" Wide (3-1/4" Footplate) | 1114638-NLA | 1114639-NLA |
| 12-13" Wide (4-1/4" Footplate) | 1114640 | 1114641 |
| 14-15" Wide (5-1/4" Footplate) | 1114642 | 1114643 |
| 16" Wide (6-1/4" Footplate) | 1114644 | 1114645 |
| ALPT Straight Slide Tube (12-1/4") | Right | Left |
| 10-11" Wide (3-1/4" Footplate) | 1114648-NLA | 1114649-NLA |
| 12-13" Wide (4-1/4" Footplate) | 1114650 | 1114651 |
| 14-15" Wide (5-1/4" Footplate) | 1114652 | 1114653 |
| 16" Wide (6-1/4" Footplate) | 1114654 | 1114655 |

#1 Adjustable Angle Footplates w/ Pivot Tubes

70° Tapered Footrests

| Straight Slide Tube (10-1/4") | Right | Left |
|------------------------------------|---------|---------|
| 16" Wide (4-1/4" Footplate) | 1114640 | 1114641 |
| ALPT Straight Slide Tube (12-1/4") | Right | Left |
| 16" Wide (4-1/4" Footplate) | 1114650 | 1114651 |

Footplate and Pivot Tube Assemblies - AT5543 Adjustable Angle

(After 5/31/03)

#13 Adjustable Angle Footplates w/ Pivot Tubes

70°/90° MFX Footrests

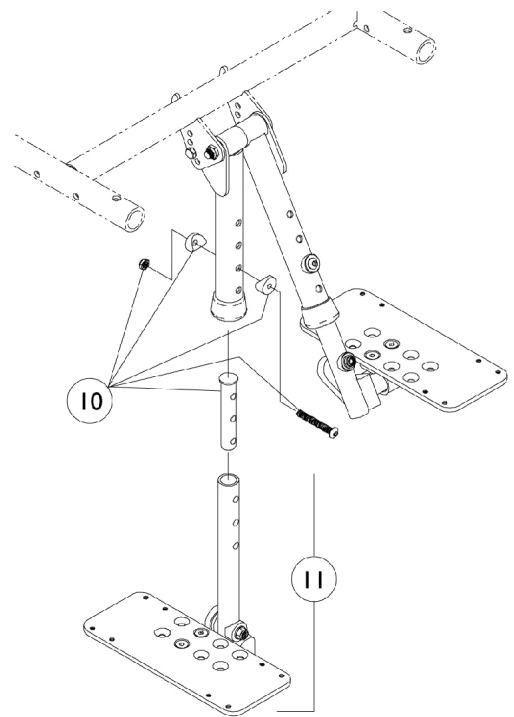
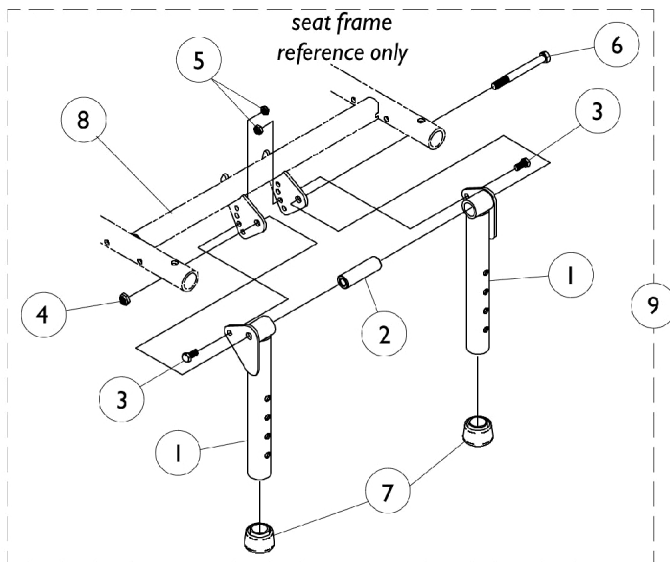
| No Slide Tube - Bolts Through Support | Right | Left |
|---------------------------------------|-------------|-------------|
| 10-11" Wide (3-1/4" Footplate) | 1114628-NLA | 1114629-NLA |
| 12-13" Wide (4-1/4" Footplate) | 1114630 | 1114631 |
| 14-15" Wide (5-1/4" Footplate) | 1114632 | 1114633 |
| 16" Wide (6-1/4" Footplate) | 1114634 | 1114635 |

#15 Adjustable Angle Footplates w/ Pivot Tubes

Wedge Style AT5044 Elevating Legrests

| Straight Slide Tube (10-1/4") | Right | Left |
|------------------------------------|---------|---------|
| 14-15" Wide (5-1/4" Footplate) | 1132061 | 1132062 |
| 16" Wide (6-1/4" Footplate) | 1132063 | 1132064 |
| ALPT Straight Slide Tube (12-1/4") | Right | Left |
| 14-15" Wide (5-1/4" Footplate) | 1132089 | 1132090 |
| 16" Wide (6-1/4" Footplate) | 1132091 | 1132092 |

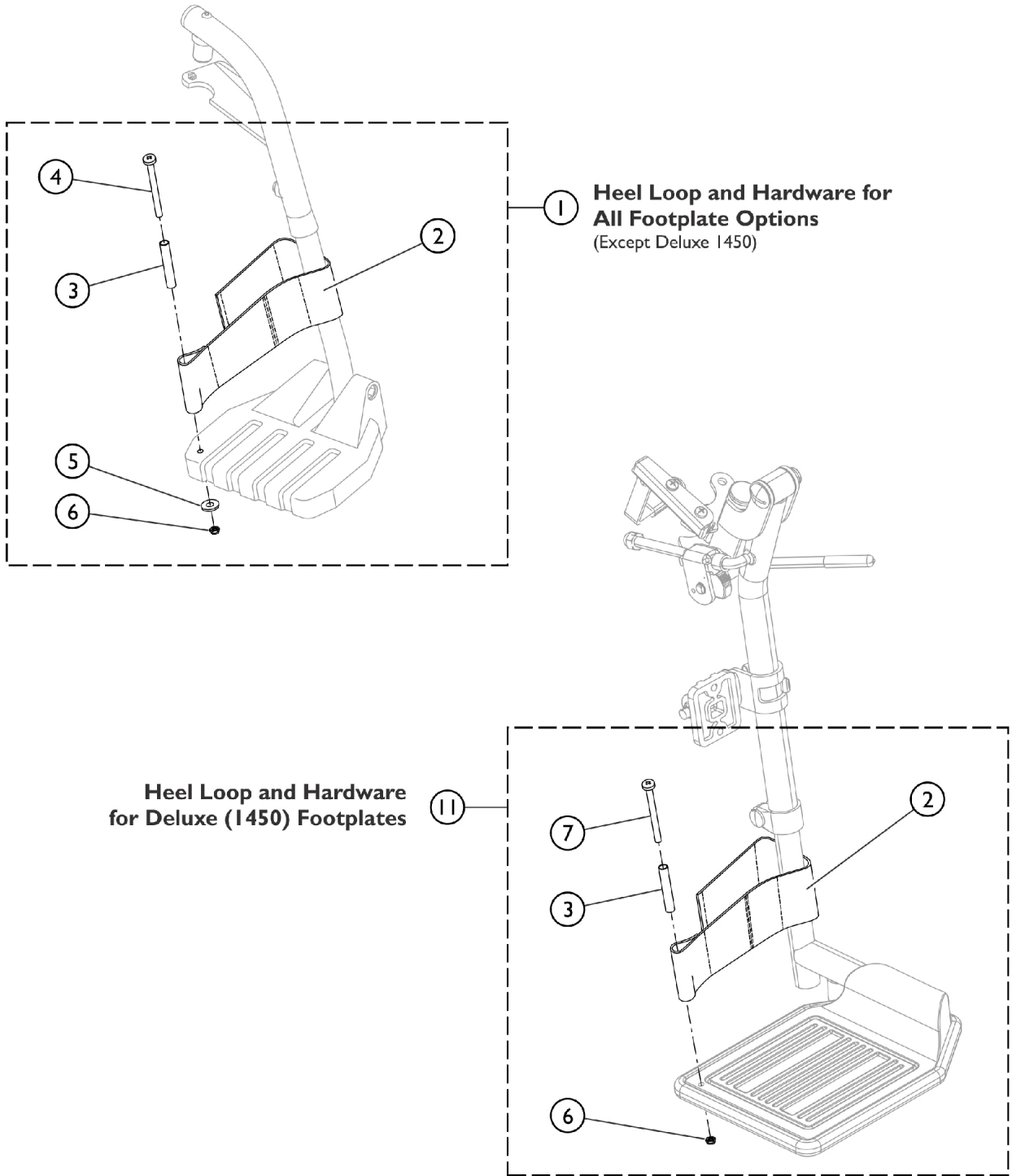
Bilateral Contracture Footrest



Bilateral Contracture Footrest

| Item Number | Note | Part Number | Description | Quantity Per | |
|--|------|-------------|---|--------------|----------|
| | | | | Package | Assembly |
| 1 | | 1066573-NLA | NLA - Tube, Footrest Support, Black - Right | 1 | 1 |
| 1 | | 1066574-NLA | NLA - Tube, Footrest Support, Black - Left | 1 | 1 |
| 2 | | 1066571-NLA | NLA - Spacer (5/16 x 5/8 x 2") | 1 | 1 |
| 3 | | 1025752-NLA | NLA - Screw, Hex Head (1/4-20 x 1-1/2") | 1 | 2 |
| 4 | | 1025730 | Locknut (5/16-24) | 1 | 1 |
| 5 | | 1025195 | Locknut (1/4-20) | 1 | 2 |
| 6 | | 1028600-NLA | NLA - Screw, Hex Head (5/16-24 x 3") | 1 | 1 |
| 7 | | 1026124 | Collar, Anti-Rattle | 1 | 2 |
| 8 | A | 1069520-NLA | NLA - Crossmember Assembly, Black (14" W) | 1 | 1 |
| 8 | B | 1069521-NLA | NLA - Crossmember Assembly, Black (15" W) | 1 | 1 |
| 8 | C | 1069522-NLA | NLA - Crossmember Assembly, Black (16" W) | 1 | 1 |
| 9 | | 1066575-NLA | NLA - Bilateral Contracture Platform Hardware (1 Pair) | 2 | 1 |
| 10 | | 1057846 | Kit, Pivot/Slide Tube Mounting Hardware (Pair) | 2 | 1 |
| 11 | | 1060428-NLA | NLA - Footplate Assembly, Adjustable Angle, Black - Right (3-1/4" W) | 1 | 1 |
| 11 | | 1060429-NLA | NLA - Footplate Assembly, Adjustable Angle, Black - Left (3-1/4" W) | 1 | 1 |
| 11 | | 1060432 | Footplate Assembly, Adjustable Angle, Black - Right (5-1/4" W, 9-7/8" Tube) | 1 | 1 |
| 11 | | 1060433 | Footplate Assembly, Adjustable Angle, Black - Left (5-1/4" W, 9-7/8" Tube) | 1 | 1 |
| NOTE: A - 14" Wide B - 15" Wide C - 16" Wide | | | | | |

Front Riggings - Adjustable Heel Loops

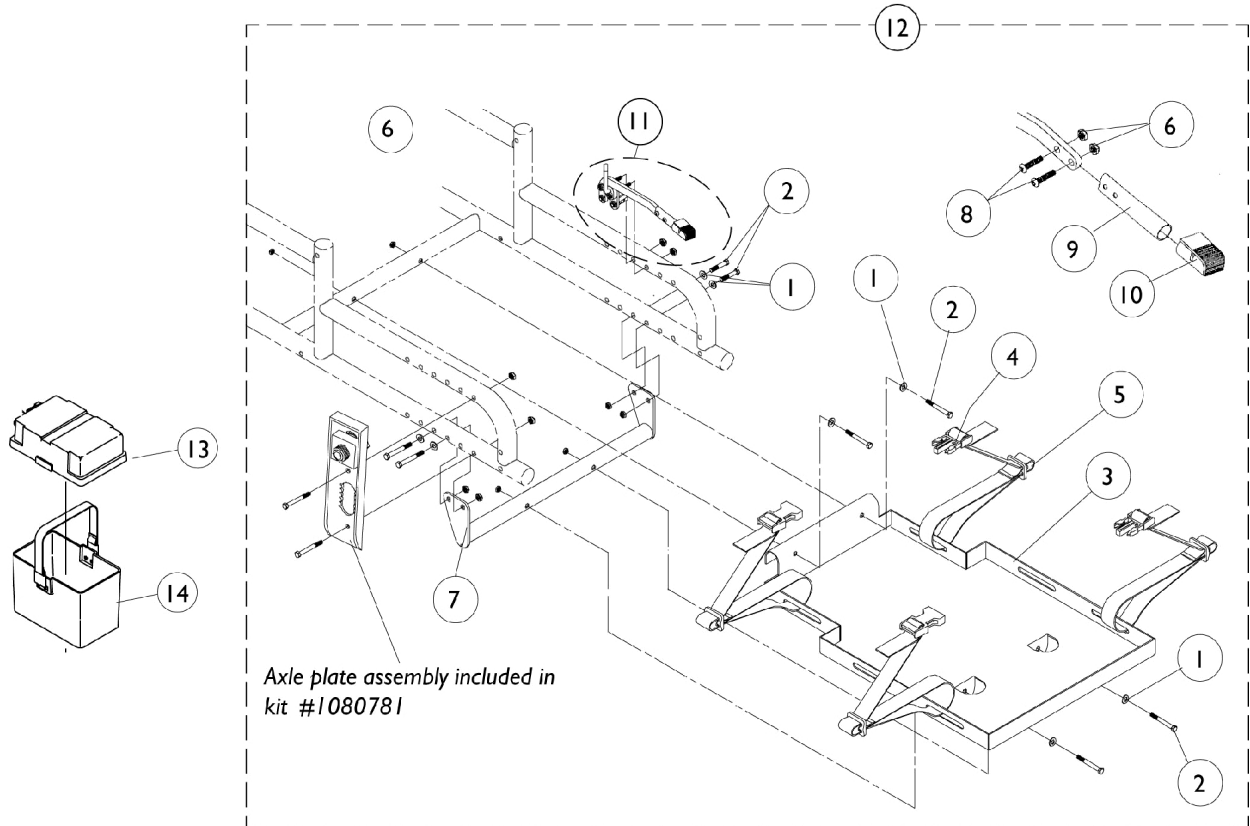


SCM_058A

Front Riggings - Adjustable Heel Loops

| Item Number | Note | Part Number | Description | Quantity Per | |
|--|------|-------------|--|--------------|----------|
| | | | | Package | Assembly |
| 1 | A | 1191117 | Kit, Heel Loop, Adjustable w/ Hardware (Pair) | 1 | 1 |
| 2 | | | Heel Loop | 1 | 2 |
| 3 | | | NLA - Spacer (1/4 x 11/32 x 1-3/4") | 1 | 2 |
| 4 | | | NLA - Screw, Phillips Pan Head (1/4-20 x 2-1/4") | 1 | 2 |
| 5 | | | Washer, Flat (1/4 x 5/8 x 1/16") | 1 | 2 |
| 6 | | | Nut, Hex, Nylon Cap (1/4-20) | 1 | 2 |
| | | | Instruction Sheet, Adjustable Heel Loop | 1 | 1 |
| 11 | B | 1191116 | Kit, Heel Loop, Adjustable w/ Hardware, Deluxe 1450 (Pair) | 1 | 1 |
| 2 | | | Heel Loop | 1 | 2 |
| 3 | | | NLA - Spacer (1/4 x 11/32 x 1-3/4") | 1 | 2 |
| 6 | | | Nut, Hex, Nylon Cap (1/4-20) | 1 | 2 |
| 7 | | | NLA - Screw, Phillips Pan Head (1/4-20 x 2-1/2") | 1 | 2 |
| | | | Instruction Sheet, Adjustable Heel Loop | 1 | 1 |
| NOTE: A - Kit includes items 2 - 6. Used with all Footplates except Deluxe (1450). B - Kit includes items 2, 3, 6, and item 7. Used with Deluxe (1450) Footplates only. | | | | | |

Vent Tray Assembly

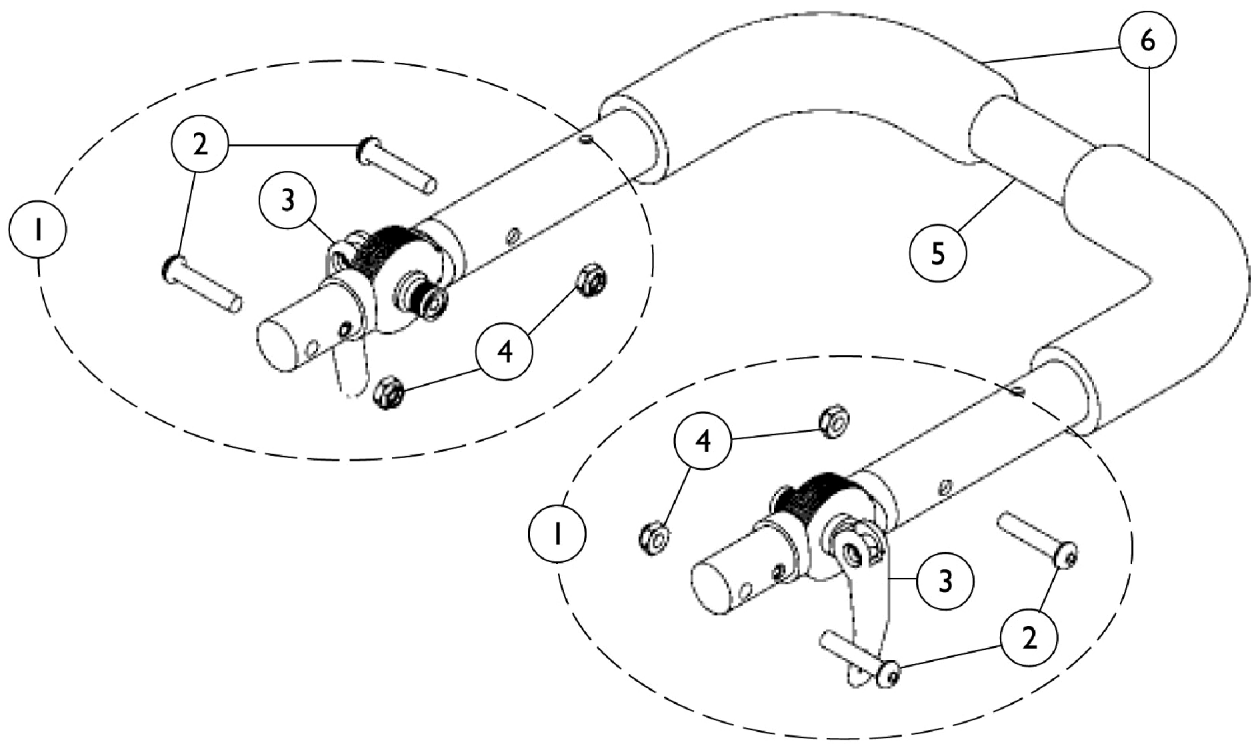


Vent Tray Assembly

| Item Number | Note | Part Number | Description | Quantity Per | |
|-------------|------|-------------|--|--------------|----------|
| | | | | Package | Assembly |
| 1 | | 1026907 | Washer (1/4 x 1/2 x 1/16") | 1 | 8 |
| 2 | | 1055348 | Screw, Hex Head (1/4-28 x 1-3/4") | 1 | 8 |
| 3 | | 1076841-NLA | NLA - Tray, Vent | 1 | 1 |
| 4 | | 1052426-NLA | NLA - Buckle, Slide Release | 1 | 2 |
| 5 | | 1052424-NLA | NLA - Strap with Slide Release Buckle (22" Long) | 1 | 2 |
| 6 | | 1065362 | Locknut (1/4-28) | 1 | 4 |
| 7 | | 1078966-NLA | NLA - Crossmember | 1 | 1 |
| 8 | | 1055305-NLA | NLA - Screw, Socket Button Head (1/4-28 x 3/4") | 1 | 2 |
| 9 | | 1080162-NLA | NLA - Pedal, Foot Extended, Black | 1 | 1 |
| 10 | | 1053304-NLA | NLA - Cap, End, Black | 1 | 1 |
| 11 | | 1080161-NLA | NLA - Tilt Foot Lever Assembly, Black | 1 | 1 |
| | A,E | 1080785-NLA | NLA - Instruction Sheet | 1 | 1 |
| 12 | B,C | 1080782-NLA | NLA - Vent Tray Assembly | 1 | 1 |
| 12 | B,D | 1080781 | Vent Tray Assembly | 1 | 1 |
| 13 | | 1095747 | Top, Battery Box | 1 | 1 |
| 14 | | 1057944 | Battery Box Bottom with Strap, 22NF | 1 | 1 |

NOTE: A - Not Shown
 B - Includes Items 1-11 and Instruction Sheet.
 C - Before 7/1/98
 D - After 6/30/98
 E - Item is no longer available from the Invacare Service Parts Department. Refer to the Invacare Website under "Product Literature Search". Enter the part number in the "Keywords" field and download a free PDF version copy.

Adjustable Stroller Handles (Before 5/30/08)



Adjustable Stroller Handles (Before 5/30/08)

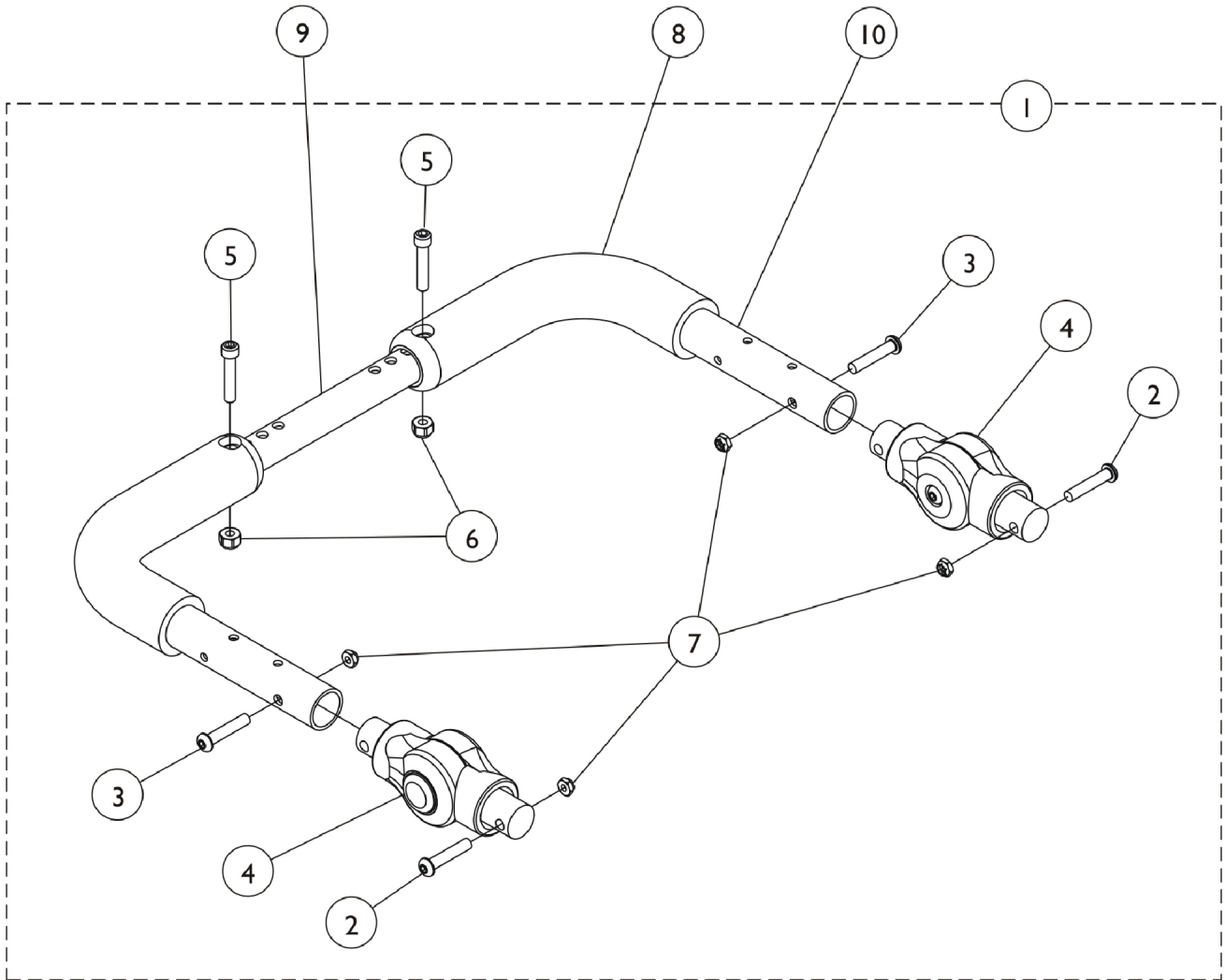
| Item Number | Note | Part Number | Description | Quantity Per | |
|-------------|------|-------------|--|--------------|----------|
| | | | | Package | Assembly |
| 1 | A | 1114689-NLA | NLA - Hardware, Stroller Handle Hinge (1 Pair) | 2 | 1 |
| 2 | | 1055309 | Screw, Socket Button Head (1/4-28 x 1-1/4") | 1 | 4 |
| 3 | | 1112539 | Folding Hinge Assembly | 1 | 2 |
| 4 | | 1025765 | Locknut (1/4-28) | 1 | 4 |
| 5 | | See Chart | #5 Adjustable Stroller Handles | 1 | 1 |
| 6 | C | 1032245 | Grip, Foam Hand (6-7/8" L) | 1 | 2 |
| 6 | B | 1133698 | Grip, Foam Hand (9" L) | 1 | 2 |

NOTE: A - Includes items 2-4.
 B - 12-16" Wide Chairs
 C - 10-11" Wide Chairs

Item #5 Push Handle with Grip

| 10" Wide | 11" Wide | 12" Wide | 13" Wide | 14" Wide | 15" Wide | 16" Wide |
|-------------|-------------|-------------|-------------|-------------|----------|----------|
| 1082618-NLA | 1082619-NLA | 1082620-NLA | 1082621-NLA | 1082622-NLA | 1082623 | 1082624 |

Adjustable Angle Stroller Handles - Outside Mount (After 5/29/08)



Adjustable Angle Stroller Handles - Outside Mount (After 5/29/08)

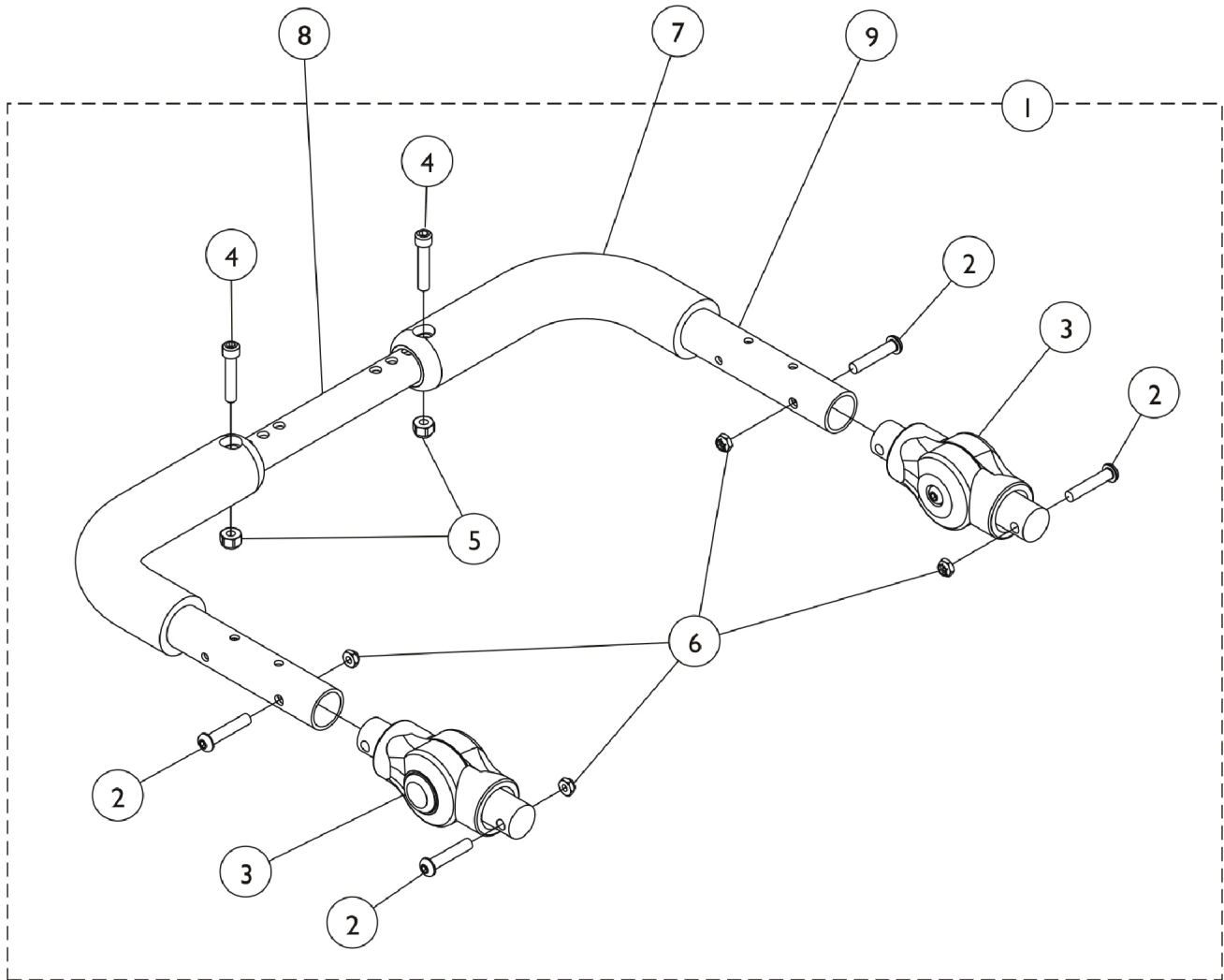
| Item Number | Note | Part Number | Description | Quantity Per | |
|-------------|------|-------------|--|--------------|----------|
| | | | | Package | Assembly |
| 1 | A,B | 1134190 | Kit, Stroller Handle, Adjustable Angle - Outside Mount | 1 | 1 |
| 2 | | | Screw, Socket Button Head (1/4-28 x 1-1/4") | 1 | 2 |
| 3 | | | Screw, Socket Head (1/4-28 x 1-1/4") | 1 | 2 |
| 4 | | | Gear, Stroller Handle | 1 | 2 |
| 5 | | | Screw, Socket Head (1/4-28 x 1-1/4") | 1 | 2 |
| 6 | | | Locknut (1/4-28) | 1 | 2 |
| 7 | | | Locknut (1/4-28) | 1 | 4 |
| 8 | | 1127767 | Grip, Foam (9") | 1 | 2 |
| 9 | | See Chart | #8 Crossbrace Tube | 1 | 1 |
| 10 | D | 1127789 | Stroller Handle Assembly - Right/Left | 1 | 2 |
| | C | 1161431 | Package, Adjusting Button, Black | 10 | 1 |

NOTE: A - Includes items 2-6.
 B - To order replacement Stroller Handle Gear Adjusting Buttons, order package part number 1161431.
 C - Not Shown.
 D - Includes item #7 Foam Grip also.

#8 Crossbrace Tube

| 12-16" Wide | 14-18" Wide | 16-20" Wide | 18-22" Wide |
|----------------|----------------|----------------|----------------|
| 1129473 | 1129474 | 1129475 | 1129476 |

Adjustable Angle Stroller Handles - Inside Mount (After 5/29/08)



Adjustable Angle Stroller Handles - Inside Mount (After 5/29/08)

| Item Number | Note | Part Number | Description | Quantity Per | |
|-------------|-------|-------------|---|--------------|----------|
| | | | | Package | Assembly |
| 1 | A,B,E | 1136693 | Kit, Stroller Handle, Adjustable Angle - Inside Mount | 1 | 1 |
| 2 | | | Screw, Socket Button Head (1/4-28 x 1-1/4") | 1 | 4 |
| 3 | | | Gear, Stroller Handle | 1 | 2 |
| 4 | | | Screw, Socket Head (1/4-28 x 1-1/4") | 1 | 2 |
| 5 | | | Locknut (1/4-28) | 1 | 2 |
| 6 | | | Locknut (1/4-28) | 1 | 4 |
| 7 | | 1127767 | Grip, Foam (9") | 1 | 1 |
| 8 | | See Chart | #8 Crossbrace Tube | 1 | 1 |
| 9 | D | 1150938 | Stroller Handle Assembly - Right/Left | 1 | 1 |
| | C | 1161431 | Package, Adjusting Button, Black | 10 | 1 |

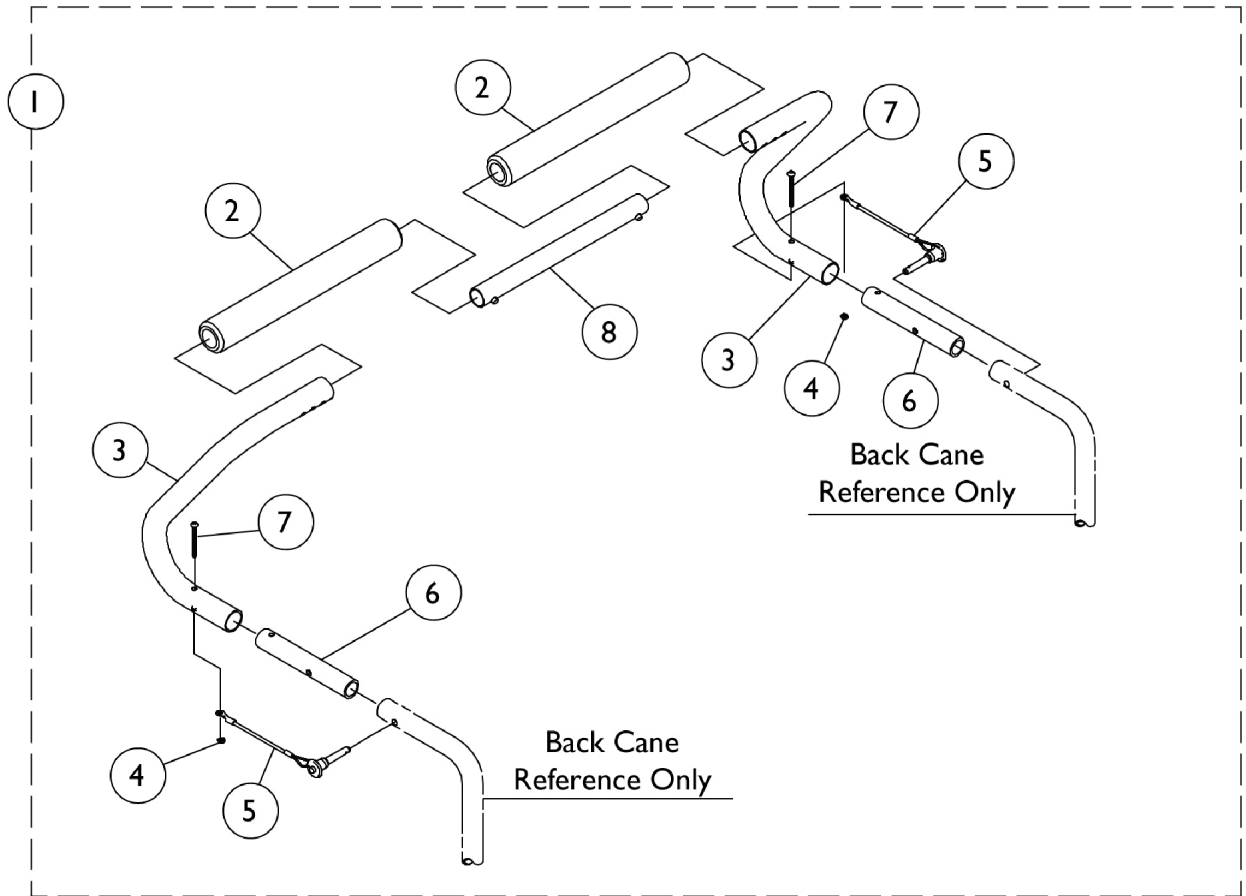
NOTE: A - Includes items 2-6.
 B - To order replacement Stroller Handle Gear Adjusting Buttons, order package part number 1161431.
 C - Not Shown.
 D - Includes item #7 Foam Grip also.
 E - Not available at this time.

Kit # 1136693 is not available at this time.

#8 Crossbrace Tube

| 12-16" Wide | 14-18" Wide | 16-20" Wide | 18-22" Wide |
|----------------|----------------|----------------|----------------|
| 1129473 | 1129474 | 1129475 | 1129476 |

Stroller Handles - 1483



Stroller Handles - 1483

| Item Number | Note | Part Number | Description | Quantity Per | |
|---|------|-------------|--|--------------|----------|
| | | | | Package | Assembly |
| 1 | A,B | 1071194-NLA | NLA - Stroller Handle Assembly (10-12") | 1 | 1 |
| 1 | A,C | 1071193-NLA | NLA - Stroller Handle Assembly (13-15") | 1 | 1 |
| 1 | A,D | 1075082 | Stroller Handle Assembly (16-18") | 1 | 1 |
| 2 | | 1133698 | Grip, Foam Hand (9" L) | 1 | 2 |
| 3 | | 1075091-NLA | NLA - Handle, Stroller, Black - Right | 1 | 1 |
| 3 | | 1075092-NLA | NLA - Handle, Stroller, Black - Left | 1 | 1 |
| 4 | | 1025735 | Locknut (#10-32) | 1 | 2 |
| 5 | | 1045470 | Pin, Quick Release with Lanyard | 1 | 2 |
| 6 | | 1061993-NLA | NLA - Tube, Insert | 1 | 2 |
| 7 | | 1107155 | Screw, Phillips Pan Head Tap (#10-32 x 1-1/4") | 1 | 2 |
| 8 | B | 1071175-NLA | NLA - Link Assembly, Stroller Handle | 1 | 1 |
| 8 | C | 1071174-NLA | NLA - Link Assembly, Stroller Handle | 1 | 1 |
| 8 | D | 1075083 | Link Assembly, Stroller Handle | 1 | 1 |
| NOTE: A - Includes items 2 - 8. B - 10 - 12" Wide Chairs. C - 13 - 15" Wide Chairs. D - 16" Wide Chairs. | | | | | |

Miscellaneous Accessories

| Part Number | Description | Package Quantity |
|------------------|---|------------------|
| 1050641 | Anti-Tipper (1 Pair) | 2 |
| 1027644-NLA | Calf Strap - 14-15" Wide (26" Long) | 1 |
| 1032243 | Calf Strap - 16" Wide (36" Long) | 1 |
| 1068210 | Clamp with Hardware, 3/4" to 1" | 1 |
| 1032216 | "H" Heel Strap | 1 |
| 1035931 | Kit Includes: (2) Screw, Phillips Pan Head (1/4-20 x 2-1/4") (2) Spacer (1/4 x 11/32 x 1-3/4") (2) Hex Nut w/ Nylon Cap (1/4-20) (2) Flat Washer (1/4 x 5/8 x 1/16") | 2 |
| TAGTS1034751-NLA | Positioning Strap Airline Style Buckle | 1 |
| 1004310 | Positioning Strap Auto Syle | 1 |
| 1034744 | Positioning Strap Hook & Loop | 1 |
| 40176X010-NLA | Tire Pump | 1 |
| 1038599 | Wheel Lock Extensions, 6" (1 Pair) | 2 |

Invacare Corporation

www.invacare.com



Yes, you can.

One Invacare Way
Elyria, Oh USA
44036-2125
800-333-6900

Technical Support
800-832-4707
Customer Service
800-333-6900

Customer Service
800-333-6900

© 2022 Invacare Corporation. All rights reserved. Republication, duplication or modification in whole or in part is prohibited without prior written permission from Invacare. Trademarks are identified by TM and ©. All trademarks are owned by or licensed to Invacare Corporation or its subsidiaries unless otherwise noted. (Revised 07/11/22)

Form No. 97-190