

Comfort Plus Seating

Discontinued 9/1/01

CP200

CP300

CP400

CP500



Yes, you can.

Parts Catalog Usage Guide

The information contained in this document is subject to change without notice. This catalog contains service parts for Form No. 97-174. If you have any questions regarding this catalog, please contact one of our Customer Service Representatives.

For Customer Service Support Call:

1-800-333-6900

For Faxed In Orders Call:

1-800-678-4682 or

1-440-366-0709

For Technical Service Call:

1-800-832-4707

Literature Can Be Found at:

www.invacare.com or

1-800-828-6272

SYMBOL DEFINITION

Throughout this catalog you will notice letters to draw your attention to specific footnotes which are located at the bottom of the page or below specified charts.

Examples:

A,B,C etc. = Special Comments

NOTE: = General information pertaining to that specific page

NLA = No Longer Available

HARDWARE MEASUREMENTS

The measurements for the hardware will be listed as follows:

Screws, Bolts Diameter X Thread Count/Pitch X Length

Washers Inside Diameter X Outside Diameter X Thickness

Spacers Inside Diameter X Outside Diameter X Length

For your convenience, we have supplied an area for you to list your Invacare Representatives.

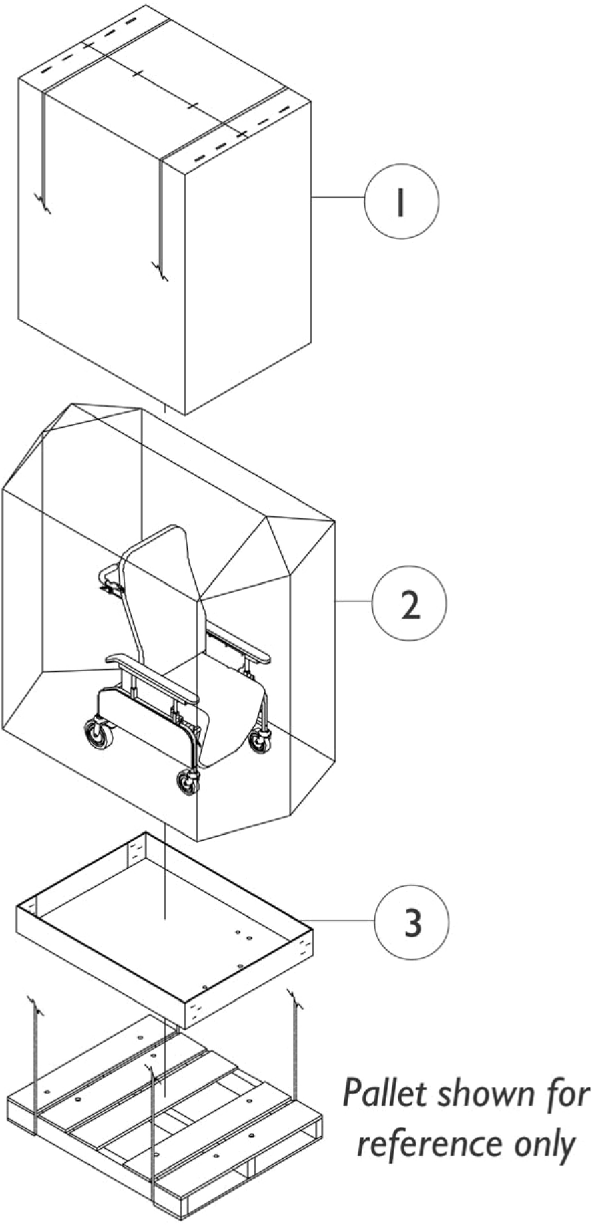
Name	Phone Numbers

© 2022 Invacare Corporation, Elyria, Ohio. Invacare, the Medallion Design, Comfort Plus and Yes, you can. are registered trademarks of the Invacare Corporation. Information is subject to change without notification.

TABLE of CONTENTS

Description	Page Number
Arms - Drop & Arm Pads	15
Bolster - Body & Pelvic Positioner	35
Bolster - Headrest	33
Frames - Back	9
Frames - Base & Hardware	5
Frames - Seat	7
I.V. Pole	29
Lock Cylinder	21
Ottoman Hardware	19
Packaging - Literature & Upholstery Colors	3
Push Handle	11
Seat Pan - Before 11/98	13
Side Panels	17
Strut	23
Tray	31
Upholstery - Back	25
Upholstery - Seat & Ottoman	27

Packaging, Literature and Upholstery Colors



Packaging, Literature and Upholstery Colors

Item Number	Note	Part Number	Description	Quantity Per	
				Package	Assembly
1		1031682	Carton, Cover	1	1
2		1073168-NLA	NLA - Bag, Poly	1	1
3		1030362	Carton, Tray	1	1
	A	1070874-NLA	NLA - Manual, Comfort Plus	1	1
	A	1021149-NLA	NLA - Bag, Poly Zip-Lip (13" L x 9" W)	1	1
	A	See Chart	Upholstery Color	1	1

NOTE: A - Not Shown

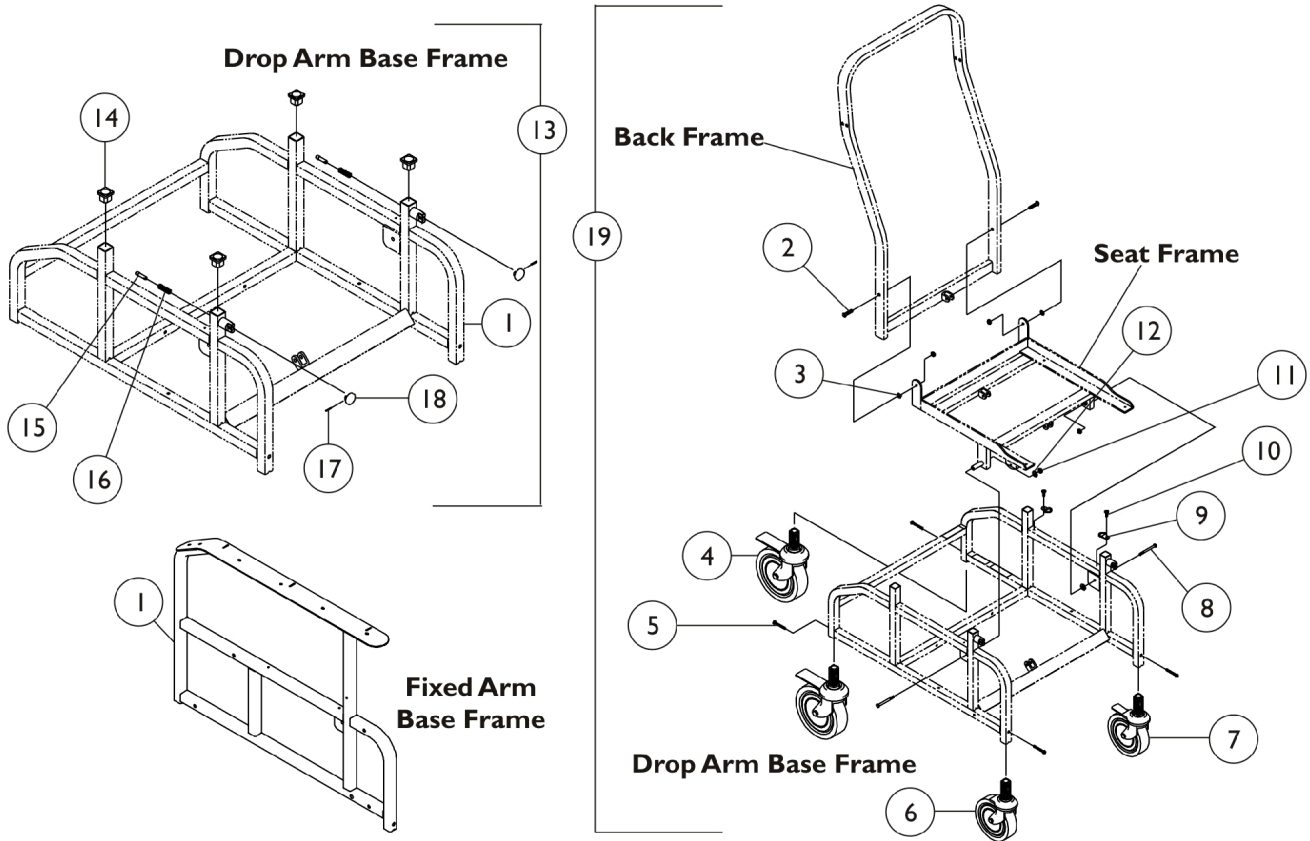
UPHOLSTERY COLOR OPTIONS

U250 See Note(s) A	Periwinkle Blue
U251 See Note(s) A	Rose
U252 See Note(s) A	Beige
U253 See Note(s) A	Terra Cotta
U254 See Note(s) A	Mint Green
U255 See Note(s) A	Hunter Green
U28	Rose Mauve
U38	Blue Ridge

NOTE: A - IMPORTANT!!! When replacing upholstery on a CAL 133 rated chair, it must be replaced with the equivalent CAL 133 rated parts. This will allow the chair to maintain its CAL 133 rating.

NOTE: When adjusting or replacing parts please refer to your owners manual for assistance.

Base Frames and Hardware

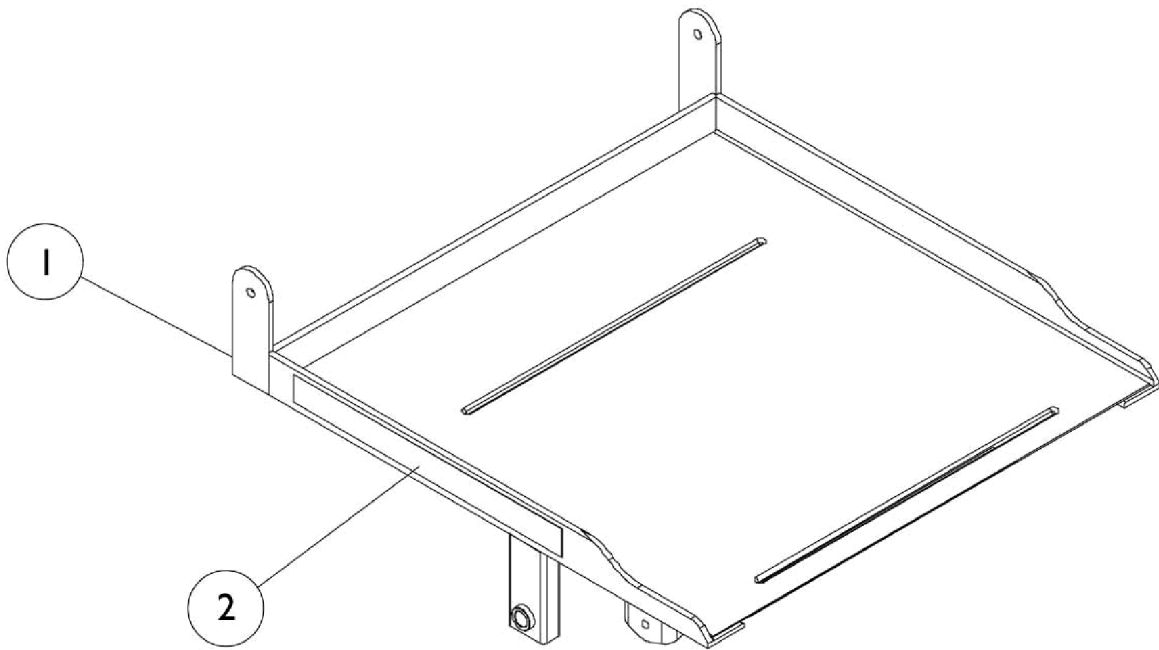


Base Frames and Hardware

Item Number	Note	Part Number	Description	Quantity Per	
				Package	Assembly
1		1071225-NLA	NLA - Frame, Base, Fixed Arm, Grey	1	1
1	A	1069969-NLA	NLA - Frame, Base, Drop Arm, Grey	1	1
2		1026030	Bolt, Lug (5/16-24 x 1-3/8")	1	2
3		7930310-NLA	NLA - Washer, Nylon (5/16 x 11/16 x 1/16")	25	1
4		1069974-NLA	NLA - Caster with Brake - Rear (5")	1	2
5		1065215	Screw, Socket Button Head w/ Patch (5/16-18 x 3/4")	1	4
6		1069975-NLA	NLA - Caster, Swivel - Front (4")	1	1
7	A	1069973-NLA	NLA - Caster, Front Steering (4")	1	1
8		1037110	Screw, Hex Head (5/16-24 x 3-1/2")	1	2
9	A	1029407-NLA	NLA - Ring, "D"	1	2
10	A	1022597	Screw, Phillips Pan Head Tap (#10-32 x 3/8")	1	2
11		1026906-NLA	NLA - Locknut (5/16-24)	1	4
12		1025704	Washer, Flat (5/16 x 5/8 x 1/16")	1	2
13	C	1071230-NLA	Kit, Drop Arm Frame Hardware	1	1
14			NLA - Glide, Plastic, Black	1	4
15			Pin, Locking	1	2
16			Spring, Arm Lock	1	2
17			NLA - Pin, Roll (5/64 x 5/8")	1	2
18			NLA - Knob	1	2
19	A,D	1071231-NLA	Kit, Comfort Plus Hardware	1	1
19	E	1073999-NLA	Kit, CP200 Only Hardware	1	1

NOTE: A - This is not standard equipment on the CP200 model.
C - Kit Includes Items 14-18.
D - Kit Includes Items 2-11.
E - Kit Includes Items 2-6, 8 and 11.

Seat Frame

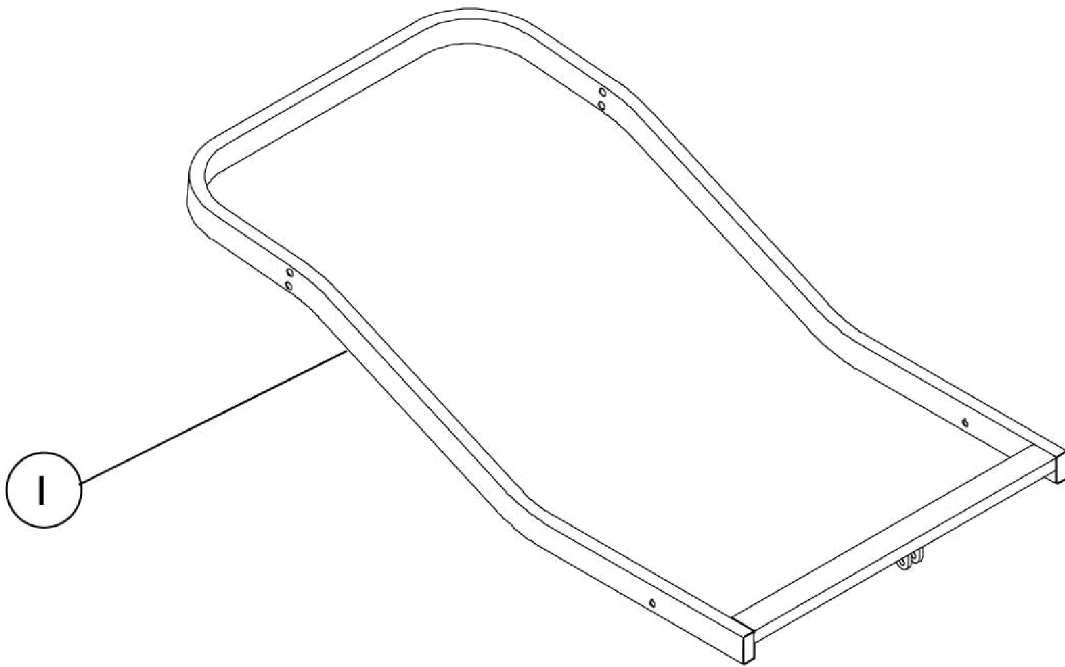


Seat Frame

Item Number	Note	Part Number	Description	Quantity Per	
				Package	Assembly
1	A	1069970-NLA	NLA - Frame, Seat with Adhesive Back Loop Fastener Strip	1	1
2		1083069-NLA	NLA - Loop Fastener (18" L x 1" W)	1	3

NOTE: A - As of 11/98, the Seat Pan Assembly has been welded to the Seat Frame.

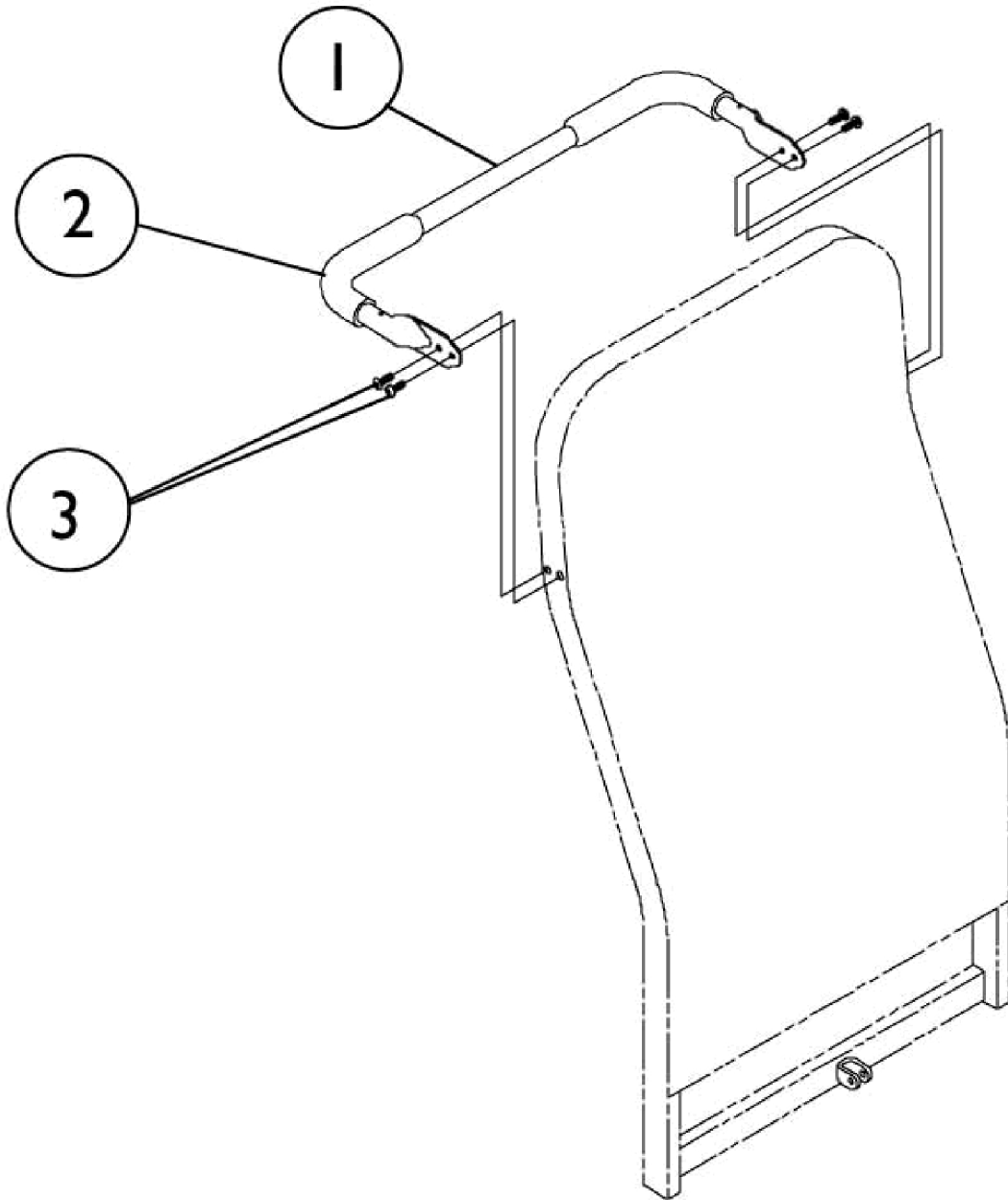
Back Frame



Back Frame

Item Number	Note	Part Number	Description	Quantity Per	
				Package	Assembly
1		1069964-NLA	NLA - Frame, Back w/ Inserts, Grey	1	1

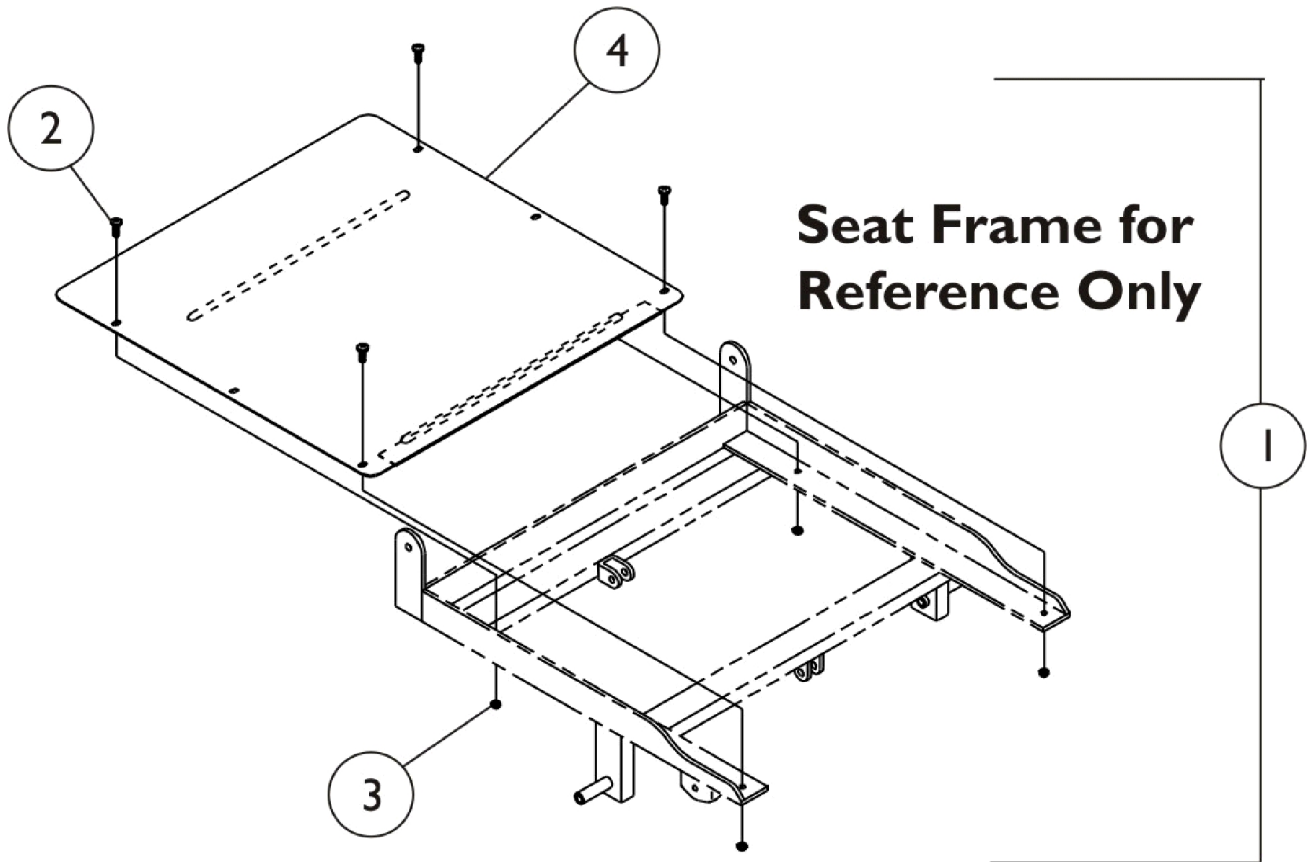
Push Handle



Push Handle

Item Number	Note	Part Number	Description	Quantity Per	
				Package	Assembly
1	A,B	1071229-NLA	NLA - Push Handle w/ Grips Assembly	1	1
1	C	1075143-NLA	NLA - Push Handle w/o Grips Assembly	1	1
2	A	1032244	Grip, Foam Hand (9" L)	1	2
3	D	1007269	Screw, Socket Button Head (1/4-20 x 5/8")	1	4
3	E	1045267	Screw, Hex Head w/ Patch (1/4-20 x 3/4")	1	4
NOTE: A - This is not standard equipment on the model CP200. B - Includes items 2-3 C - Includes item 3 D - Before 12/98 E - After 11/98					

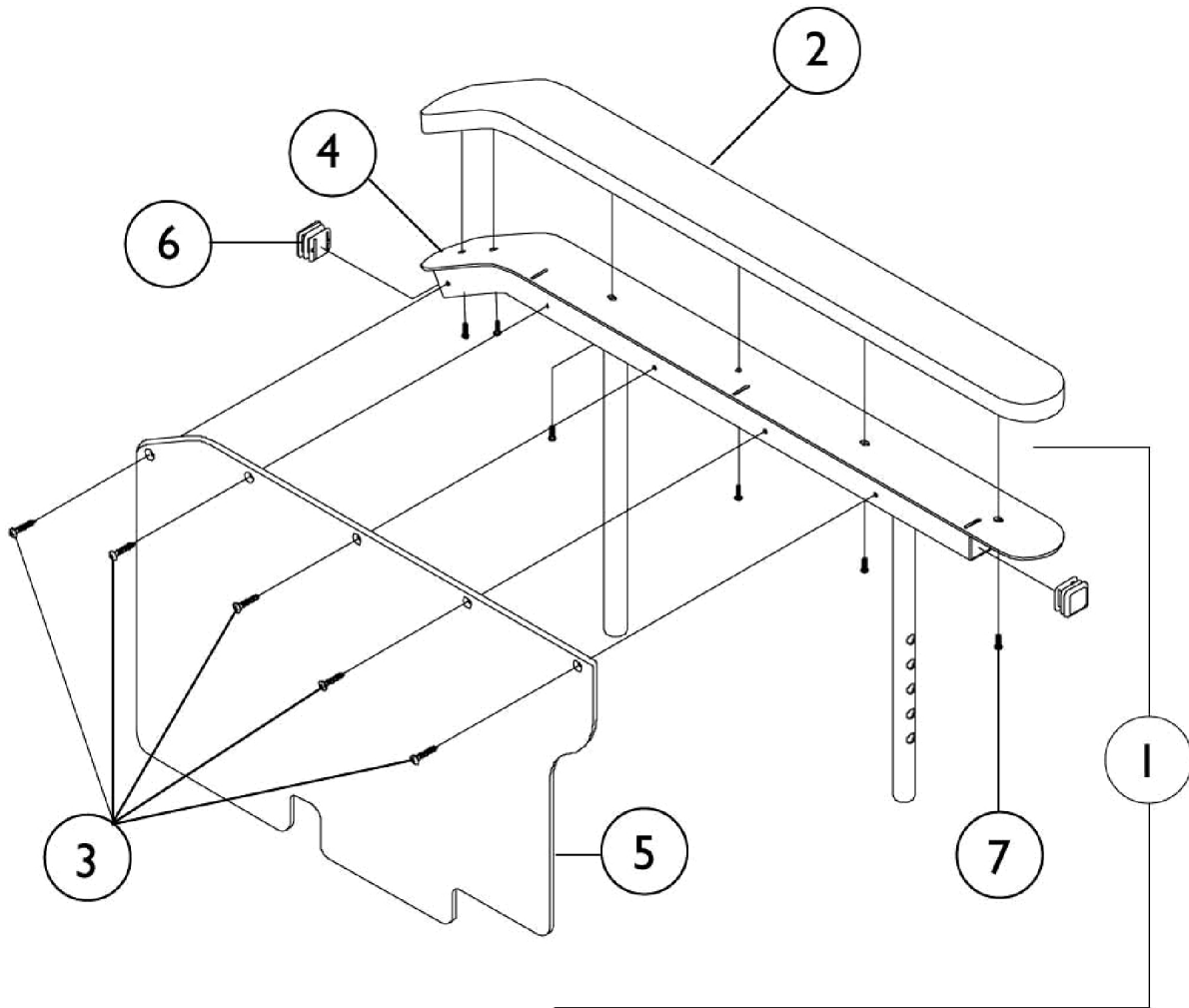
Seat Pan (Before 11/98)



Seat Pan (Before 11/98)

Item Number	Note	Part Number	Description	Quantity Per	
				Package	Assembly
1		1069970-NLA	NLA - Frame, Seat with Adhesive Back Loop Fastener Strip	1	1
1	A,B	1071234-NLA	Kit, Seat Pan Hardware	1	1
2			Screw, Phillips Pan Head (#10-32 x 1/2")	1	4
3			Locknut (#10-32)	1	4
4			NLA - Plate, Seat	1	1
NOTE: A - As of 11/98, the Seat Pan Assembly is now welded to the Seat Frame. See page titled "Seat Frame" to order Seat Frame. B - Kit items 2-4, no longer available see Part #1069970.					

Drop Arm and Arm Pads

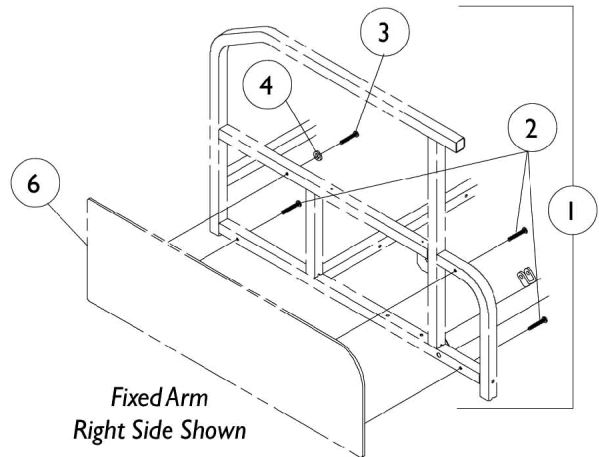
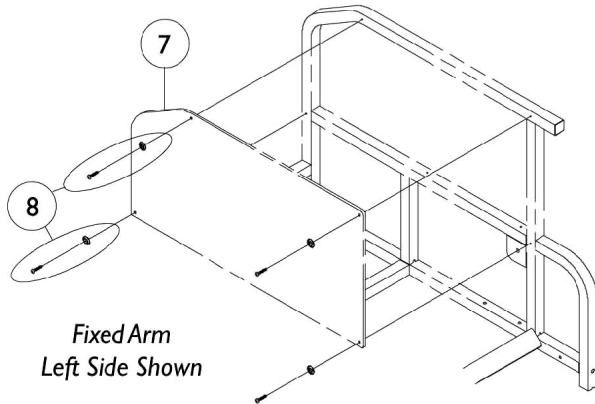
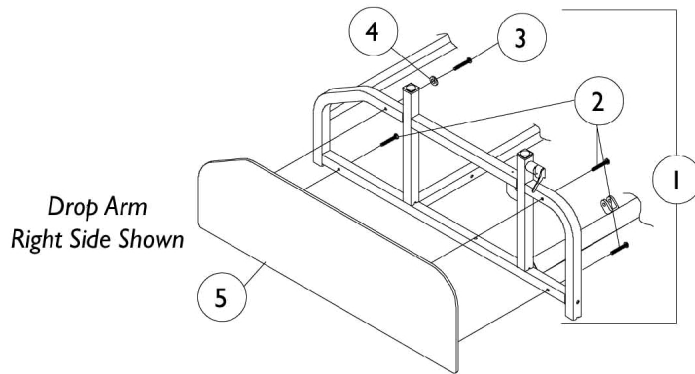


Left Side Shown

Drop Arm and Arm Pads

Item Number	Note	Part Number	Description	Quantity Per	
				Package	Assembly
1	B	1081206-NLA	NLA - Arm Assembly, Drop, Grey - Right	1	1
1	B	1081207-NLA	NLA - Arm Assembly, Drop, Grey - Left	1	1
2	A,C,F	8881073130-NL A	NLA - Pad, Armrest Pad - Right/Left	1	1
2	A,C,D	8881075140	Pad, Armrest Pad - Right/Left	1	1
2	A,E,F	8881098378-NL A	NLA - Pad, Armrest Pad - Right/Left (With clear vinyl covers CP200)	2	1
2	A,D,E	8881098379-NL A	NLA - Pad, Armrest - Right/Left (With clear vinyl covers CP300, CP400, CP500)	2	1
2	A,D,E	8881076337-NL A	NLA - Pad, Armrest, CAL133 - Right/Left	1	1
3		1025706-NLA	NLA - Screw, Phillips Oval Head (#10-16 x 7/8")	1	5
4		1069254-NLA	NLA - Support, Armrest, Drop Arm Only - Right	1	1
4		1069255-NLA	NLA - Support, Armrest, Drop Arm Only - Left	1	1
5		1069264-NLA	NLA - Guard, Skirt, Drop Arm Only - Right	1	1
5		1069265-NLA	NLA - Guard, Skirt, Drop Arm Only - Left	1	1
6		1071237	Plug Button, Square, Black (1")	1	4
7		1073142-NLA	NLA - Screw, Phillips Pan Head (#10-32X3/8")	6	1
NOTE: A - Specify upholstery color. B - Includes items 3-7 C - Before 8/27/00 D - CP300, CP400, CP500 E - After 8/28/00 F - CP200					

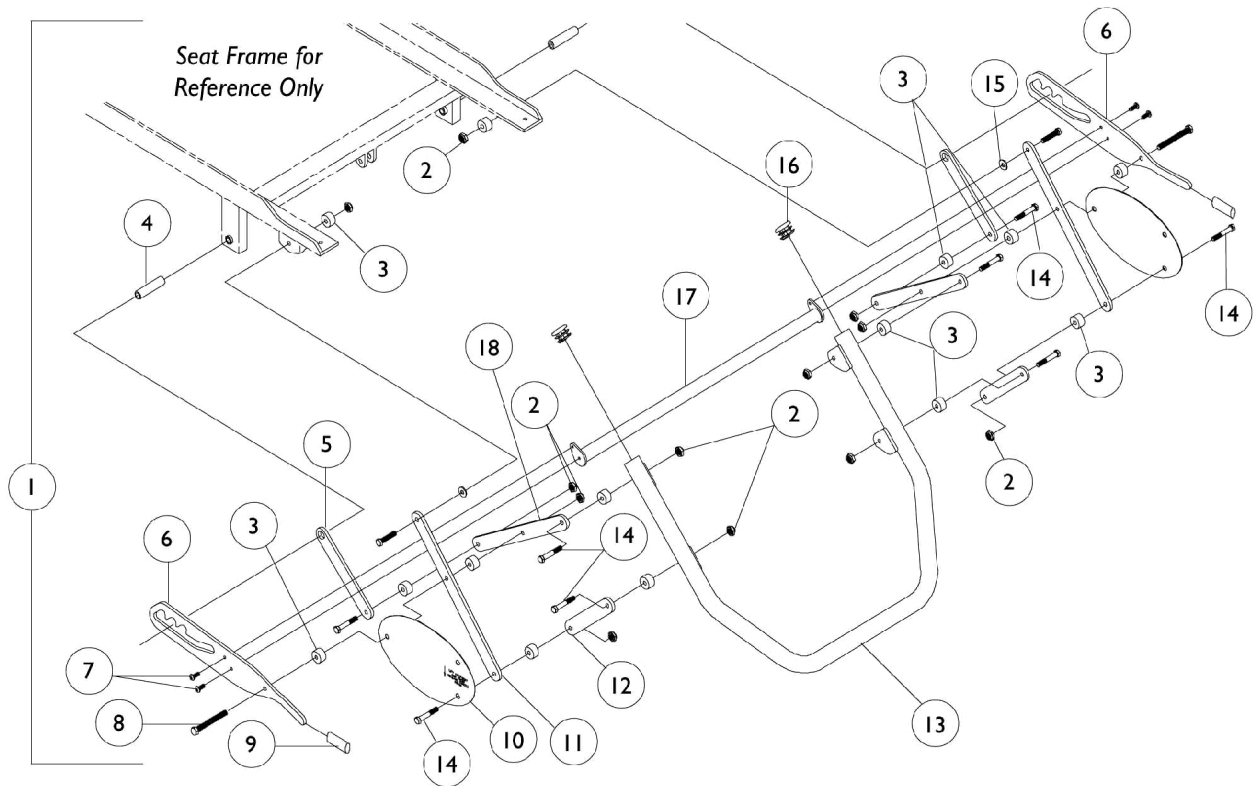
Side Panels



Side Panels

Item Number	Note	Part Number	Description	Quantity Per	
				Package	Assembly
1	C	1073647-NLA	NLA - Kit, Side Panel Hardware	1	1
2		1026107	Screw, Phillips Pan Head (#10-32 x 1-3/8")	1	3
3		1025343-NLA	NLA - Screw, Flat Head (#10-32 x 1-1/2")	1	1
4		7930325-NLA	NLA - Washer (1/4 x 3/4 x 3/32")	25	1
5	A,B	8881075109-NL A	NLA - Lower Side Panel Drop Arm, Color - Right	1	1
5	A,B	8881075110-NL A	NLA - Lower Side Panel Drop Arm, Color - Left	1	1
5		8881076304	NLA - Lower Side Panel Assembly, Drop Arm, Color - Right CAL 133 Certified	1	1
5	A,B	8881076305-NL A	NLA - Lower Side Panel Assembly, Drop Arm, Color - Left CAL133 Certified	1	1
6	A,D	8881073546-NL A	NLA - Lower Side Panel Fixed Arm, Color - Right	1	1
6	A,D	8881073547-NL A	NLA - Lower Side Panel Fixed Arm, Color - Left	1	1
6	A,E	8881075121-NL A	NLA - Upholstery, Lower Side Panel Fixed Arm - Right	1	1
6	A,E	8881075122-NL A	NLA - Upholstery, Lower Side Panel Fixed Arm - Left	1	1
6	A,B	8881076310-NL A	NLA - Lower Side Panel Assembly, Fixed Arm, Color - Right CAL133 Certified	1	1
6	A,B	8881076311-NL A	NLA - Lower Side Panel Assembly, Fixed Arm, Color - Left CAL133 Certified	1	1
7	A,D	8881073548-NL A	NLA - Arm, Fixed, Top Panel - Right	1	1
7	A,D	8881073549-NL A	NLA - Arm, Fixed, Top Panel - Left	1	1
7	A,E	8881075115-NL A	NLA - Upholstery, Top Panel Fixed Arm Assembly - Right	1	1
7	A,E	8881075116-NL A	NLA - Upholstery, Top Panel Fixed Arm Assembly - Left	1	1
7	A,B	8881076316-NL A	NLA - Side Panel Assembly, Upper, Fixed Arm - Right CAL133 Certified	1	1
7	A,B	8881076317-NL A	NLA - Side Panel Assembly, Upper, Fixed Arm - Left CAL133 Certified	1	1
8		1105393-NLA	NLA - Kit, Hardware (Includes: 4 Screws and 4 Washers)	4	1
NOTE: A - Specify upholstery color B - This is not standard equipment on the model CP200. C - Includes items 2-4 D - CP200 E - CP300, CP400, CP500					

Ottoman Hardware

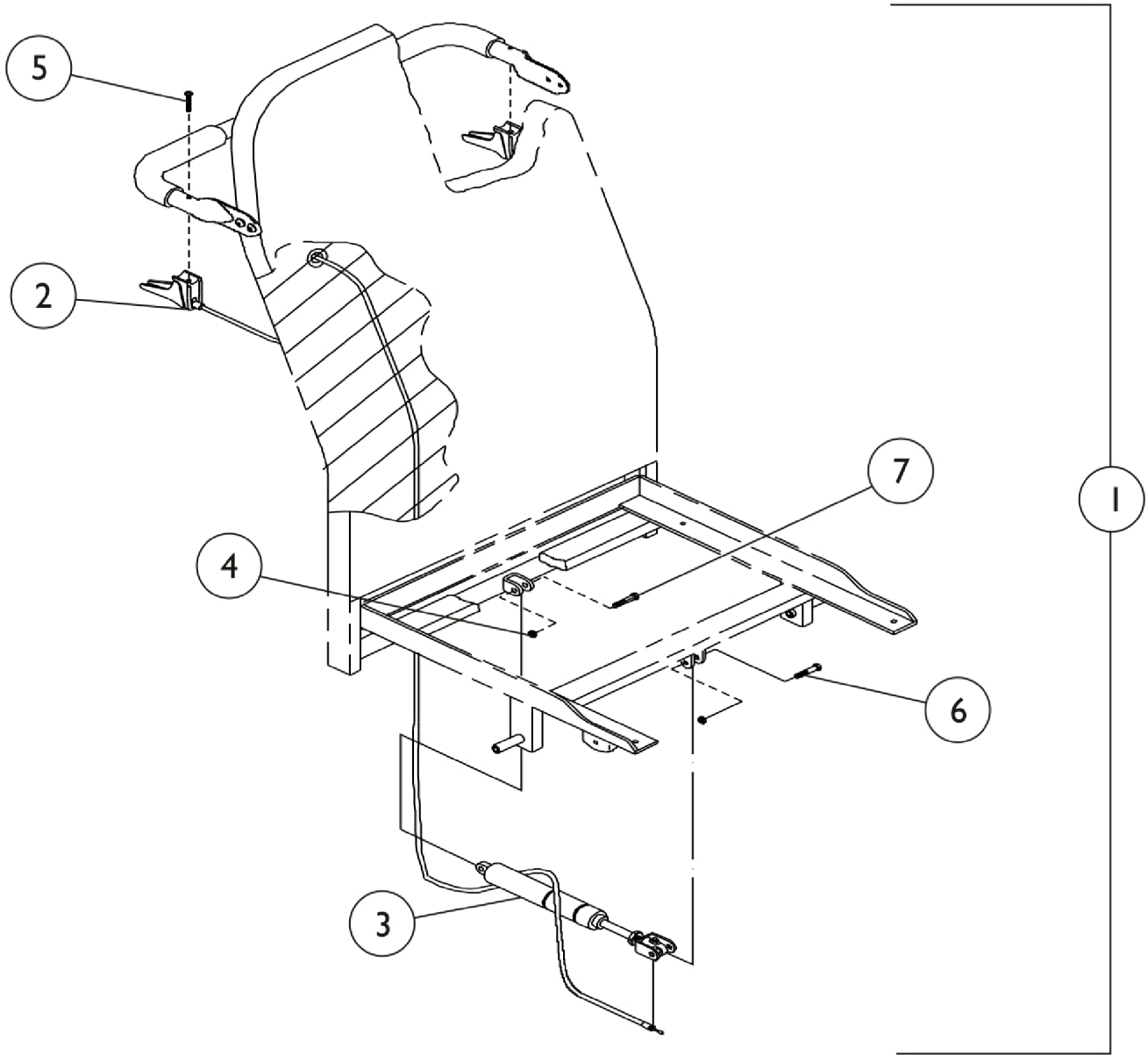


Ottoman Hardware

Item Number	Note	Part Number	Description	Quantity Per	
				Package	Assembly
1	A	1071225-NLA	NLA - Frame, Base, Fixed Arm, Grey	1	1
2		7930333	Locknut (1/4-20)	25	1
3		1070001-NLA	NLA - Spacer, Nylon (1/4 X 3/4 X 7/16")	1	14
4		1069959-NLA	NLA - Bushing, Pivot	1	2
5		1069247-NLA	NLA - Link (5-1/8")	1	2
6		1070002-NLA	NLA - Ratchet Plate - Right	1	1
6		1070003-NLA	NLA - Ratchet Plate - Left	1	1
7		1025451	Screw, Slotted Hex Washer Head (#10-32 x 5/8")	1	4
8		1024796-NLA	NLA - Screw, Hex Head (1/4-20 x 2")	1	2
9		1006490-NLA	NLA - Tip, Plastic, Black	1	2
10		1073640-NLA	NLA - Shield, Link - Right	1	1
10		1073641-NLA	NLA - Shield, Link - Left	1	1
11		1069248-NLA	NLA - Link (9-7/8")	1	2
12		1069250-NLA	NLA - Link (4-3/8")	1	2
13		1069971-NLA	NLA - Ottoman Weldment	1	1
14		1021406	Screw, Hex Head (1/4-20 x 1-1/4")	1	10
15		1026106-NLA	NLA - Washer (1/4 x 5/8 x 1/16")	1	2
16		1029501	Plug Button, Black (1")	1	2
17		1069996-NLA	NLA - Connector, Ratchet	1	1
18		1069249-NLA	NLA - Link (8-1/2")	1	2

NOTE: A - Includes items 2-15

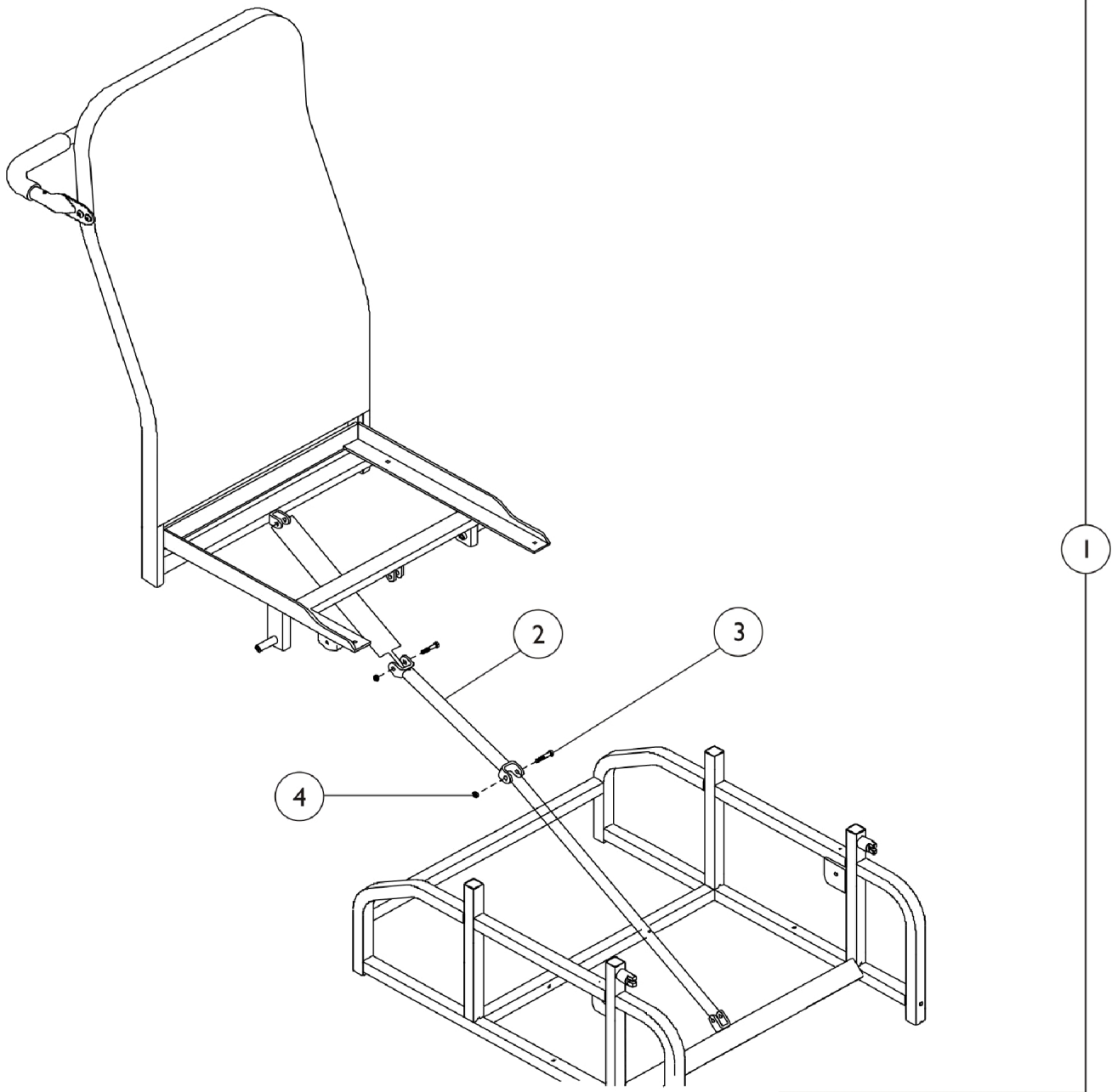
Lock Cylinder



Lock Cylinder

Item Number	Note	Part Number	Description	Quantity Per	
				Package	Assembly
1	A,B	1071232-NLA	Kit, Cylinder Hardware Assembly	1	1
2			NLA - Cable Assembly (48")	1	1
3			Cylinder Assembly	1	1
4			NLA - Locknut (5/16-24)	1	2
5			Screw, Phillips Pan Head (#10-32 x 1-3/8")	1	1
6			Screw, Hex Head (5/16-24 x 2")	1	1
7			Screw, Hex Head (5/16-24 x 1-1/2")	1	1
NOTE: A - If ordering for Model CP500, order 2 hardware sets per unit. B - Kit Includes Items 2-7.					

Strut (CP200, CP300, and CP400 Only)

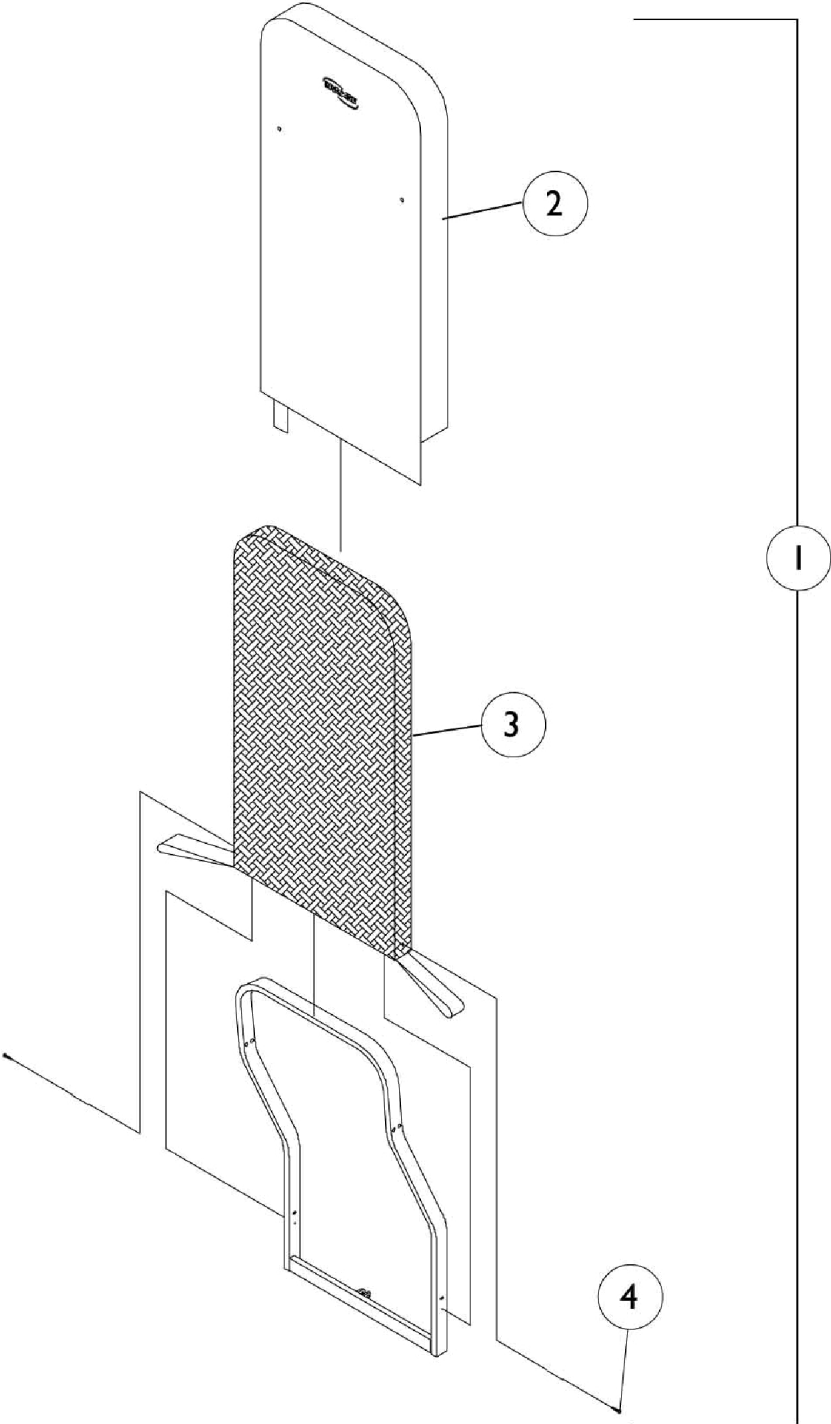


Strut (CP200, CP300, and CP400 Only)

Item Number	Note	Part Number	Description	Quantity Per	
				Package	Assembly
1	A	1071233-NLA	Kit, Hardware Assembly - Fixed	1	1
2			NLA - Link Strut Assembly	1	1
3			Screw, Hex Head (5/16-24 x 2")	1	2
4			NLA - Locknut (5/16-24)	1	2

NOTE: A - Kit Includes Items 2-4.

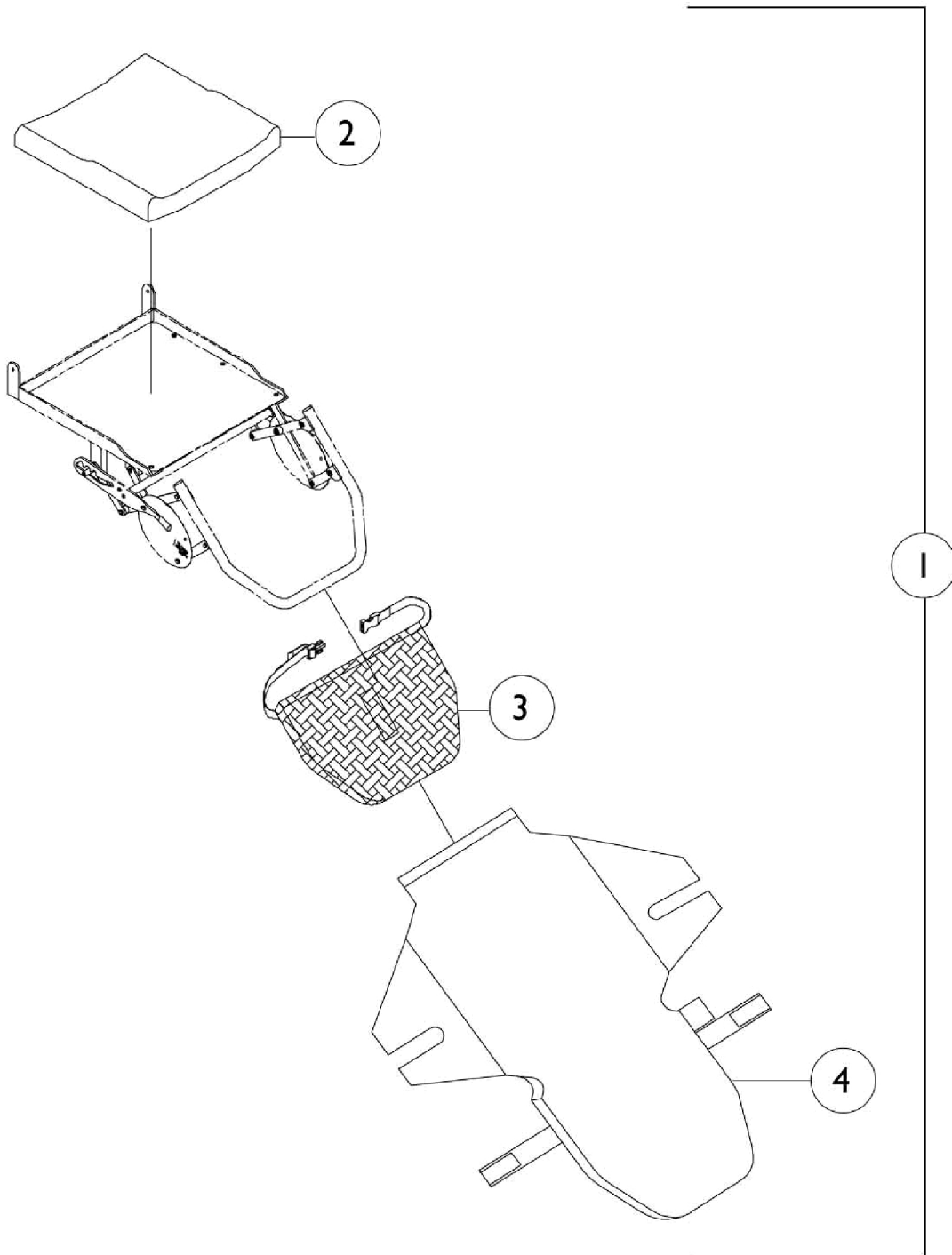
Back Upholstery



Back Upholstery

Item Number	Note	Part Number	Description	Quantity Per	
				Package	Assembly
1	A,B,C	8881073550-NL A	NLA - Upholstery, Back with Foam Assembly	1	1
1	A,B,D	8881075128-NL A	NLA - Upholstery, Back with Foam Assembly	1	1
1	A,B,E	8881076323-NL A	NLA - Backrest Assembly	1	1
2	A,C	8881073654-NL A	NLA - Upholstery with Foam	1	1
2	A,D	8881075127-NL A	NLA - Upholstery with Foam	1	1
2	A,E	8881076322-NL A	NLA - Upholstery with Foam	1	1
3		1073655-NLA	NLA - Liner, Mesh	1	1
4		1105393-NLA	NLA - Kit, Hardware (Includes: 4 Screws and 4 Washers)	4	1
NOTE: A - Specify upholstery color, see chart on page titled "Packaging & Literature" B - Includes items 2-4 C - CP200 D - CP300 ,CP400, CP500 E - CP300, CP400, CP500, CAL133 Uph.					

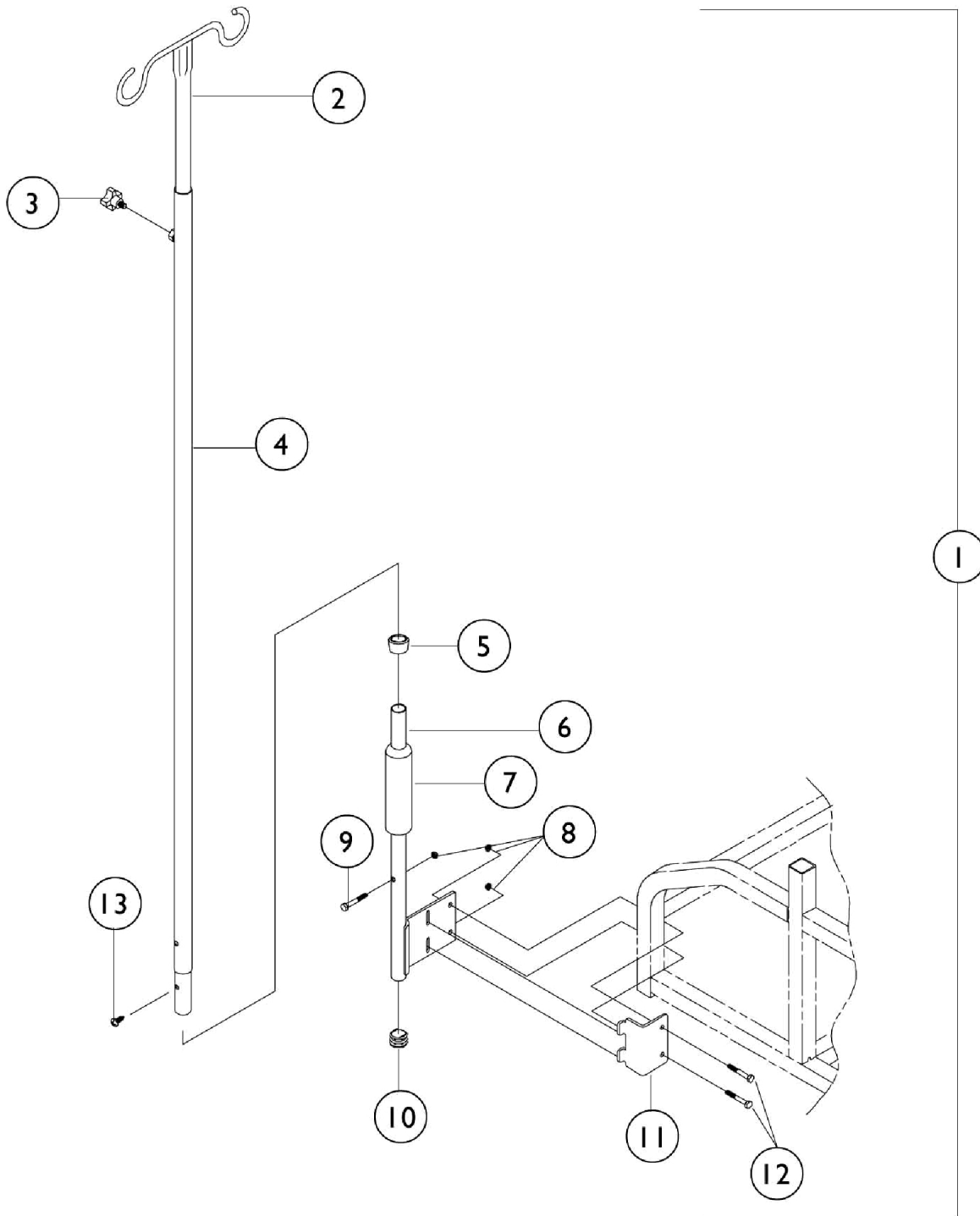
Seat and Ottoman Upholstery



Seat and Ottoman Upholstery

Item Number	Note	Part Number	Description	Quantity Per	
				Package	Assembly
1	A,B,C	8881073551-NL A	NLA - Seat/ Ottoman Upholstery Assembly	1	1
1	A,B,D	8881075137-NL A	NLA - Seat/ Ottoman Upholstery Assembly	1	1
1	A,B,E	8881076332-NL A	NLA - Seat/ Ottoman Upholstery Assembly	1	1
2	C	1074000-NLA	NLA - Cushion Assembly with Bag	1	1
2	E	1073657-NLA	NLA - Cushion with Bag	1	1
3		1073661-NLA	NLA - Liner, Ottoman Mesh	1	1
4	A,C	8881073660-NL A	NLA - Upholstery, Seat/Ottoman w/ Foam	1	1
4	A,D	8881075136-NL A	NLA - Upholstery, Seat/Ottoman w/ Foam	1	1
4	A,E	8881076331-NL A	NLA - Upholstery, Seat/Ottoman w/ Foam	1	1
NOTE: A - Specify upholstery color, see color chart on page titled "Packaging & Literature" B - Includes items 2-4 C - CP200 D - CP300, CP400, CP500 E - CP300, CP400, CP500, CAL133 Uph.					

I.V. Pole

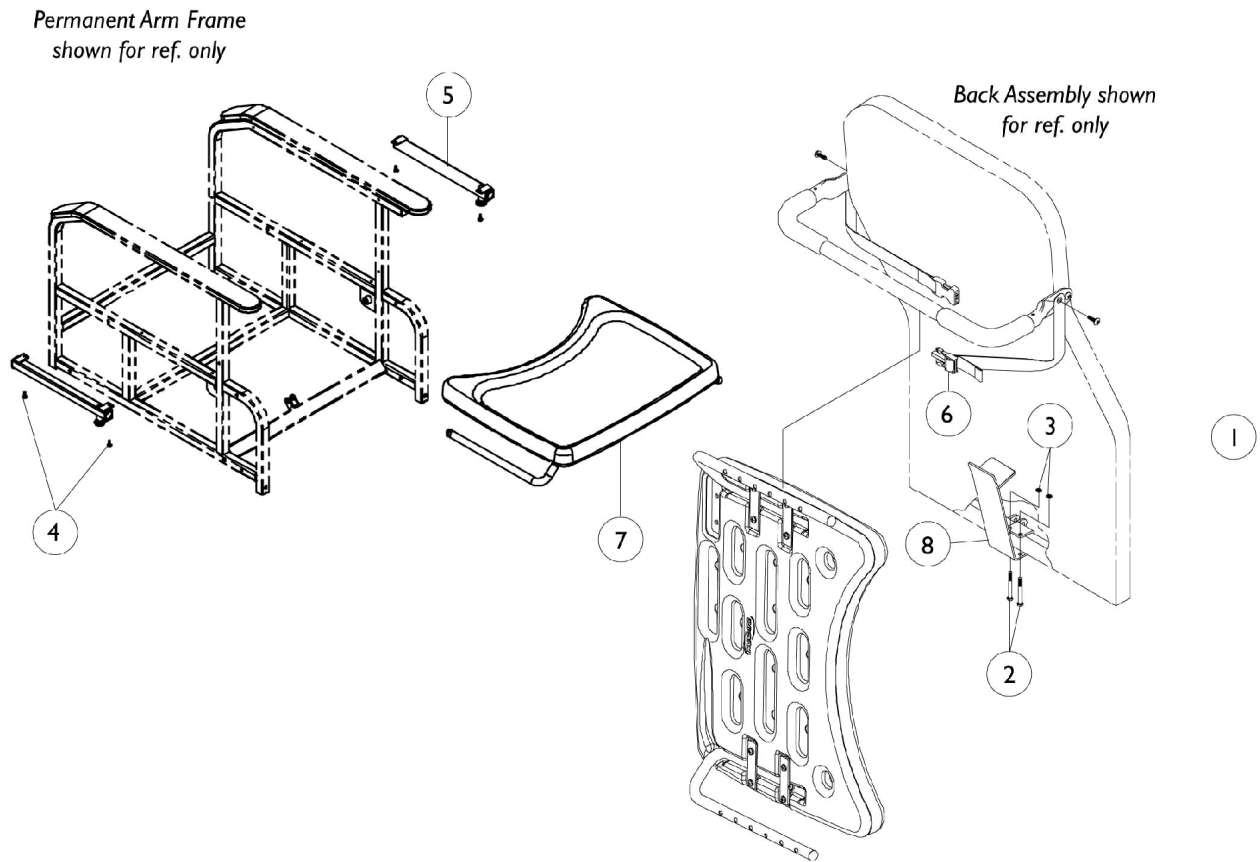


I.V. Pole

Item Number	Note	Part Number	Description	Quantity Per	
				Package	Assembly
1	B	1073160-NLA	NLA - I.V. Pole Assembly	1	1
2		04701X041	Rod, I.V., Recliner, Black	1	1
3		1027683	Knob, Adjustment, Black	1	1
4		1076521	Tube, Support, I.V. Rod, Black	1	1
5		15680X012	Collar, Anti-Rattle (7/8")	1	1
6		1071244	Bracket, I.V. Pole, Grey	1	1
7		1055398	Grip, Hand, Foam (4")	1	1
8		7930333	Locknut (1/4-20)	25	1
9		1021406	Screw, Hex Head (1/4-20 x 1-1/4")	1	1
10		1027095	Plug Button, Black (7/8")	1	1
11		1073169-NLA	NLA - Bracket, I.V.	1	1
12		1024793-NLA	NLA - Screw, Hex Head (1/4-20 x 1-3/4")	1	2
13		21243X000-NLA	NLA - Screw, Phillips Pan Head (#6-20 x 3/8")	1	1
	A	1075648-NLA	NLA - Kit, Instruction Sheet, I.V. Rod	1	1

NOTE: A - Not Shown
B - Includes items 2-13

Tray

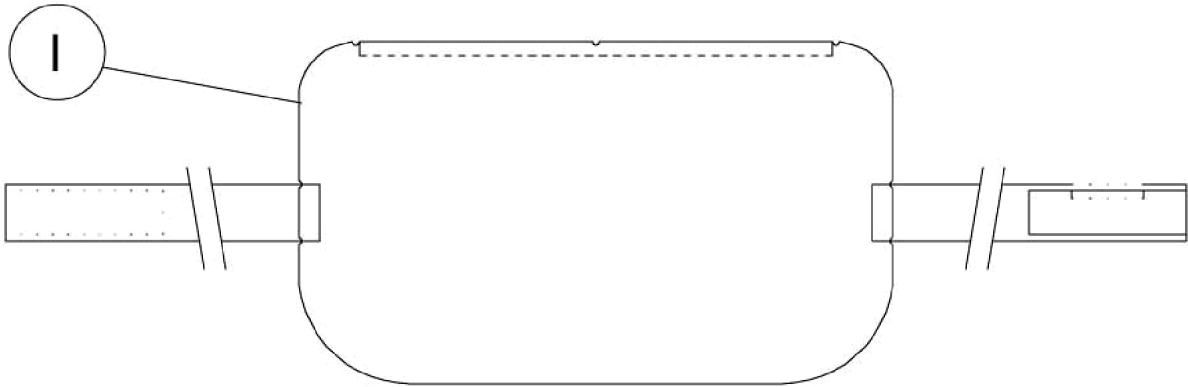


NOTE: This tray is not intended for use on chairs rated for CAL 133.

Tray

Item Number	Note	Part Number	Description	Quantity Per	
				Package	Assembly
1	D	1073543-NLA	NLA - Tray Assembly, CMPLT, Lap	1	1
2		1024796-NLA	NLA - Screw, Hex Head (1/4-20 x 2")	1	2
3		7930333	Locknut (1/4-20)	25	1
4		7930335-NLA	NLA - Package, Screw, Phillips Pan Head (#10-32 x 1/2")	25	1
5		1073554-NLA	NLA - Tray Receiver Assembly - Right	1	1
5		1073555-NLA	NLA - Tray Receiver Assembly - Left	1	1
6		1073557-NLA	NLA - Strap, Tray	1	1
7	A	1073558-NLA	NLA - Tray Assembly	1	1
8		1073559	Bracket, Stow Assembly, Grey	1	1
	B,C,E	1016298	Grip, Push Handle	1	2
	C	1075647-NLA	NLA - Instruction Sheet Tray Attachment	1	1
<p>NOTE: A - As of 11/98 Tray Assembly design has changed; when replacing a Tray manufactured Before 11/98, you must order part no. 1073543 and replace entire assembly. B - As of 1/99 Rubber Grip is no longer part of the tray assembly C - Not Shown D - Includes items 2-8 E - Before 1/99 only</p> <p>NOTE: This tray is not intended to use on chairs rated for CAL 133.</p>					

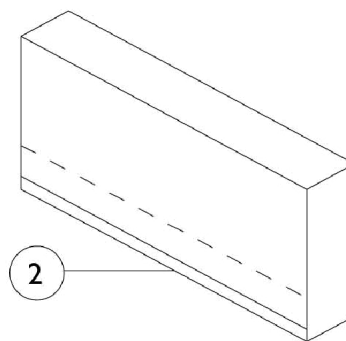
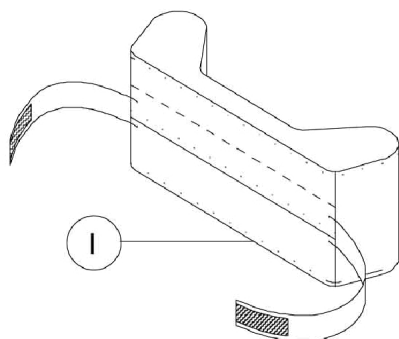
Headrest Bolster



Headrest Bolster

Item Number	Note	Part Number	Description	Quantity Per	
				Package	Assembly
1	A,B	8881073984-NL A	NLA - Headrest Bolster - CP200	1	1
1	A,C	8881075104-NL A	NLA - Headrest Bolster - CP300/ CP400/ CP500	1	1
1	A,D	8881076299-NL A	NLA - Headrest Bolster - CAL133 Certified Upholstery (CP300/ CP400/ CP500)	1	1
NOTE: A - Specify upholstery color, see color chart on page titled "Packaging & Literature" B - CP200 C - CP300, CP400, CP500 D - CP300, CP400, CP500, CAL133 Uph.					

Body Bolster and Pelvic Positioner



Body Bolster and Pelvic Positioner

Item Number	Note	Part Number	Description	Quantity Per	
				Package	Assembly
1	A	8881073989-NL A	NLA - Bolster, Body	1	1
1	B	8881075100-NL A	NLA - Bolster, Body	1	1
1	C	8881076295-NL A	NLA - Bolster, Body	1	1
2	A	8881073990-NL A	NLA - Positioner, Pelvic	1	2
2	B	8881075095-NL A	NLA - Positioner, Pelvic	1	2
2	C	8881076289-NL A	NLA - Pelvic Positioner	1	2
NOTE: A - CP200 B - CP300, CP400, CP500 C - CAL133 Certified Upholstery (CO300, CP400, CP500)					

Invacare Corporation

www.invacare.com



Yes, you can.

One Invacare Way
Elyria, Oh USA
44036-2125
800-333-6900

Technical Support
800-832-4707
Florida Technical Support
407-321-5630

Customer Service
800-333-6900

© 2022 Invacare Corporation, Elyria, Ohio.
All rights reserved. Trademarks are
identified by the symbols TM and ©. All
trademarks are owned by or licensed to
Invacare Corporation unless otherwise
noted. Information is subject to change
without notification.
(Revised 03/23/22)

Form No. 97-174