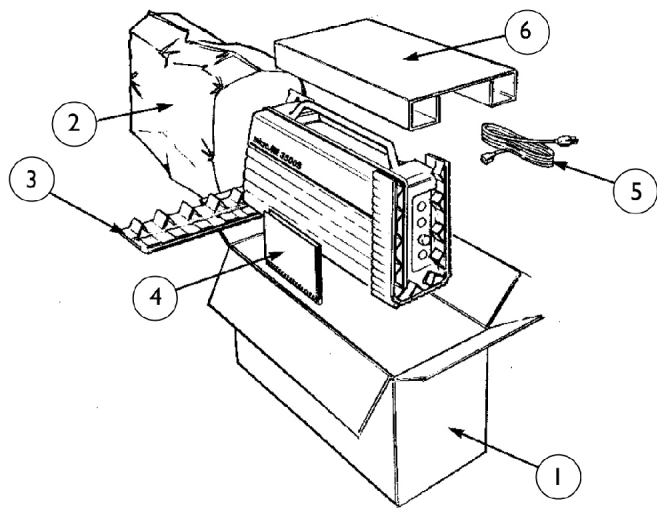
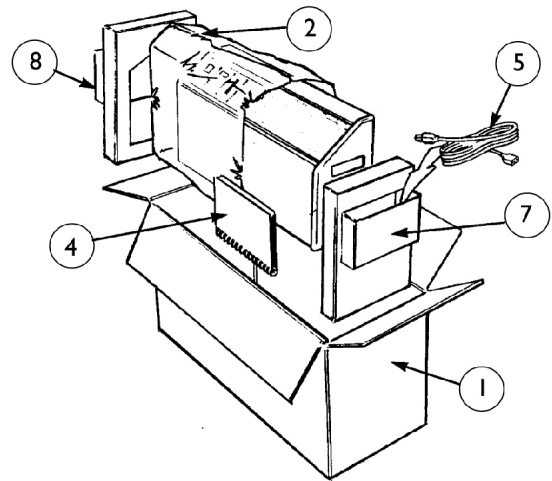


Packaging & Literature - Power Unit



3500S / PUP



Turn-Q / Turn-Q^{Plus}

Packaging & Literature - Power Unit

Item Number	Note	Part Number	Description	Quantity Per	
				Package	Assembly
1	A,B	9570023-NLA	NLA - Carton	1	1
1	C,D	9510074	NLA - Carton	1	1
2	A,B,D	1101068-NLA	NLA - Bag, Poly	1	1
2	C	659-NLA	NLA - Bag, Poly	1	1
3		BB9540108-NLA	NLA - Packing Wrap	1	2
4		9692006-NLA	NLA - Owners Manual - 3500S	1	1
4		9500015-NLA	NLA - Owners Manual - Pup	1	1
4		740-NLA	NLA - Owners Manual - Turn-Q	1	1
4		9612017-NLA	NLA - Owners Manual - Turn-Q Plus	1	1
4		1098354-NLA	NLA - Owner's Manual, Turn-Q Plus	1	1
5		1101074-NLA	NLA - Cord, Power	1	1
6		9540107-NLA	NLA - Packing Pad, Scored	1	1
7		BB9510094-NLA	NLA - Cap, End, Foam - Right	1	1
8		BB9510095-NLA	NLA - Cap, End, Foam - Left	1	1
NOTE: A - Used on 3500S B - Used on Pup C - Used on Turn-Q D - Used on Turn-Q Plus					
NOTE: When adjusting or replacing parts please refer to you Owner's Manual for assistance.					