

**Invacare® microAIR® Mattress (MA Series)**

**Solace/Foamcraft Mattress  
Solace Resolution Glissando™  
Softfoam Mattress**

**Discontinued  
3500S®  
Turn-Q® - Turn-Q® Plus  
Pup**



*Yes, you can.*

# Parts Catalog Usage Guide

The information contained in this document is subject to change without notice. This catalog contains service parts for Form No. 96-135. If you have any questions regarding this catalog, please contact one of our Customer Service Representatives.

**For Customer Service Support Call:**

**1-800-333-6900**

**For Faxed In Orders Call:**

**1-800-678-4682 or**

**1-440-366-0709**

**For Technical Service Call:**

**1-800-832-4707**

**Literature Can Be Found at:**

**www.invacare.com or**

**1-800-828-6272**

## SYMBOL DEFINITION

Throughout this catalog you will notice letters to draw your attention to specific footnotes which are located at the bottom of the page or below specified charts.

Examples:

A,B,C etc. = Special Comments

NOTE: = General information pertaining to that specific page

NLA = No Longer Available

## HARDWARE MEASUREMENTS

The measurements for the hardware will be listed as follows:

Screws, Bolts Diameter X Thread Count/Pitch X Length

Washers Inside Diameter X Outside Diameter X Thickness

Spacers Inside Diameter X Outside Diameter X Length

For your convenience, we have supplied an area for you to list your Invacare Representatives.

Name	Phone Numbers

© 2022 Invacare Corporation, Elyria, Ohio. Invacare, the Medallion Design, MicroAIR and Yes, you can. are registered trademarks; TSS is a trademark of the Invacare Corporation.

# TABLE of CONTENTS

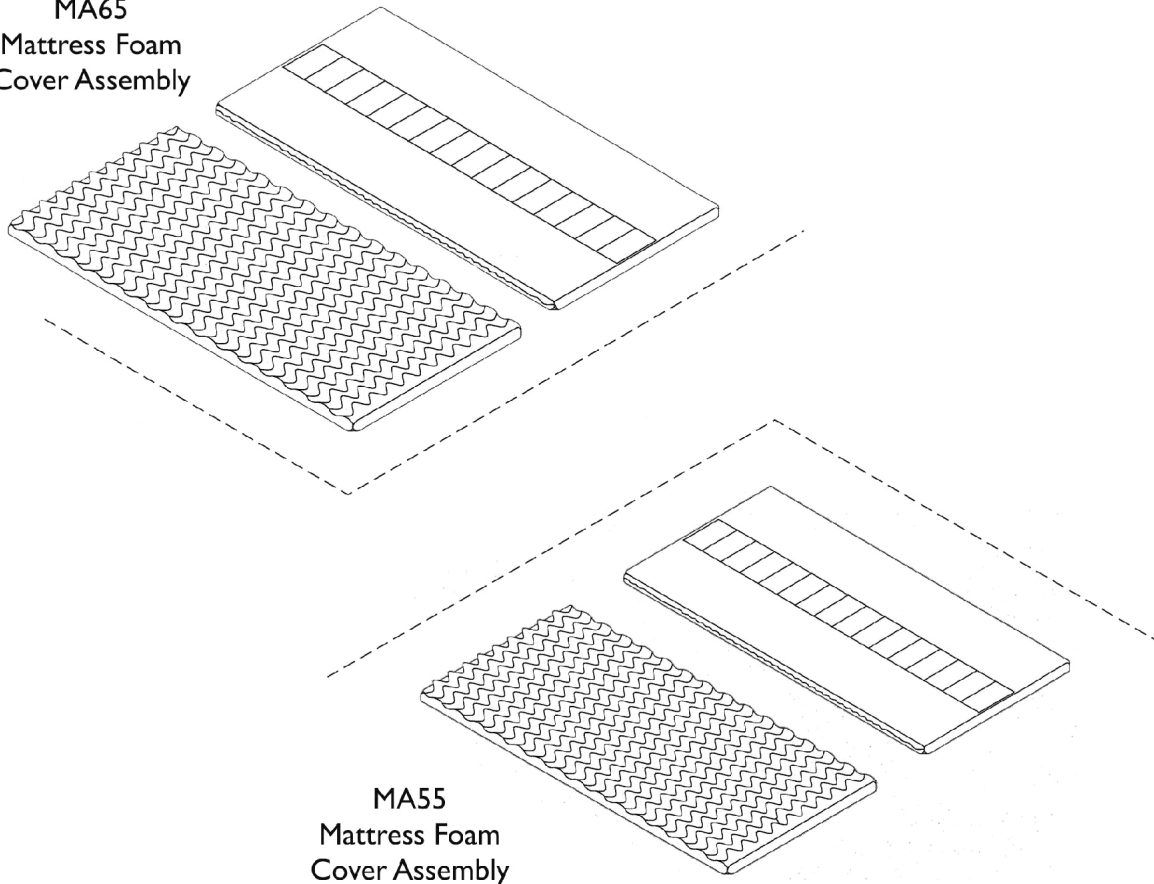
<b>Description</b>	<b>Page Number</b>
01. MicroAIR® Mattress Covers .....	3
02. MicroAIR® Manifolds and Cells (Cushions) .....	5
03. MicroAIR® Mattress Accessories (MA Series) .....	7
04. Mattress Replacement Covers - Solace .....	9
05. Mattress Replacement Covers - Solace Resolution Glissando™ .....	11
06. Mattress Assembly - Pup .....	13
07. Control Panel - Pup .....	15
08. Power Unit - Pup .....	16
09. Mattress Assembly - 3500S .....	18
10. Control Panel - 3500S .....	20
11. Power Unit - 3500S .....	21
12. Mattress Assembly - Turn-Q .....	23
13. Control Panel - Turn-Q .....	25
14. Power Unit - Turn-Q .....	26
15. Mattress Assembly - Turn-Q Plus .....	27
16. Power Unit - Turn-Q Plus .....	29
17. Packaging - Mattress .....	31
18. Packaging & Literature - Power Unit .....	33
19. Bulb & Lens Replacement - 3500S & Pup .....	35
20. Miscellaneous Accessories Index .....	37

# MicroAIR® Mattress Covers



MicroAIR Mattress Covers

MA65  
Mattress Foam  
Cover Assembly



MA55  
Mattress Foam  
Cover Assembly

# MicroAIR® Mattress Covers

Model Used On	Notes	Part Number
MA50	Top Sheet	1158004
MA51 MA55	With Fire Barrier and Dual Quilt	1163094-NLA
MA60 MA65 MA80	With Fire Barrier and Dual Quilt	1158005-NLA
MA90	With Fire Barrier and Dual Quilt	1158006
MA85	With Fire Barrier and Dual Quilt	1161949
MA95 MA95Z	With Fire Barrier and Dual Quilt	1161954-NLA
MA65B42 MA80B42	With Fire Barrier and Dual Quilt	1169652
MA60B48 MA65B48 MA80B48	With Fire Barrier and Dual Quilt	1169653-NLA
MA90ZB42	With Fire Barrier and Dual Quilt	1169654
MA90ZB48	With Fire Barrier and Dual Quilt	1169655-NLA
MA95ZB42	With Fire Barrier and Dual Quilt	1169656
MA85B42	With Fire Barrier and Dual Quilt	1169657
MA85B48	With Fire Barrier and Dual Quilt	1169658
MA95ZB48	With Fire Barrier and Dual Quilt	1169659
MA60RSR/MA65RSR MA80RSR	With Fire Barrier and Dual Quilt	1169825
MA85RSR	With Fire Barrier and Dual Quilt	1169826
MA65	Foam Cover Assembly 20 Loops	1165491 See Note(s) B, A
MA55	Foam Cover Assembly 16 Loops	1165492-NLA See Note(s) A, B
CG9900	Top Sheet	1174541

NOTE: A - Foam Cover Assembly Size: 80" x 32" x 2".  
B - Includes Foam and Foam Cover.

# MicroAIR® Manifolds and Cells (Cushions)

## Manifolds



16 Ports - MA50/MA51



16 Ports - MA55



20 Ports - MA60/MA65/MA80/MA85

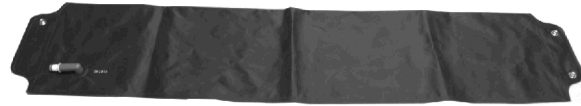


48 Ports - MA90



48 Ports - MA95

## Cells (Cushions)



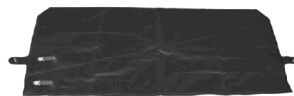
Model MA50/MA51/MA55



Model MA60/MA65



Model MA80/MA85



Model MA90



Model MA95

# MicroAIR® Manifolds and Cells (Cushions)

## Manifolds

Mattress Models	Manifold Ports	Part Number
MA50/51	16	1161943
MA55	16	1163091
MA60/MA60B42 MA60B48	20	1161944-NLA
MA65/MA65B42 MA65B48	20	1163092
MA80/MA80B42 MA80B48	20	1161945
MA85/MA85B42 MA85B48	20	1161951
MA90	Dual, 48	1161946
MA95	Dual, 48	1161947
MA50/MA51/MA55/MA60 MA65/MA80	Manifold Hose Cover	1163086

## Cells (Cushions)

Mattress Models	Description	Part Number
MA51/MA55	Cushion, Air	1163085-NLA
MA50	Cushion, Air	1158003
MA60/MA65	Cushion, Air (8")	1158007
MA80/MA85	Cushion, Air, LAL (8")	1158008-NLA
MA90	Cushion, "Z"	1158009
MA95	Cushion, Air, "Z"	1161948
CG9900	Cushion, Air	1174542
MA65B42	Cushion, Air (300946-S)	1176381
MA65B48	Cushion, Air (301014-S)	1176382

# MicroAIR® Mattress Accessories (MA Series)





## MicroAIR® Mattress Accessories (MA Series)

Item Number	Note	Part Number	Description	Quantity Per	
				Package	Assembly
1		1161941	Filter Grill w/ Hardware - MA80/85/95 (301056-S)	1	1
2		1161942	Filter, Air - MA80/85/95/95Z (200414)	1	1
3		1161952-NLA	NLA - Bolster, Right - MA90/95/90B42/95B42/90B48/95B48 (300785-S)	1	1
3		1163093	Bolster, Left - MA90/95/90B42/95B42/90B48/95B48 (300786-S)	1	1
4		1158002-NLA	NLA - Cord, Power - All Models (100251-S)	1	1
5		1163084	Connector, Female - All Models (100775-S or 100316-S)	1	1
6		1163087-NLA	NLA - Connector, Hose Disconnect - MA80 (100270-S)	1	1
7		1163088	Label, CPR - MA60/65/80/85/90/95 (400424-S)	1	1
7		1163089-NLA	NLA - Label, CPR - MA50/51/55 (400419-S)	1	1
8		1163090-NLA	NLA - Connector, Hose - MA55/65/65B42/65B48 (300529-S)	1	1
9	A	1161953	Plug, CPR w/ Ring - MA50/51/55/60/60B42/60B48/60 RSR (100579-S)	1	1
10	B	1169840-NLA	NLA - Kit, Fowler Transmitter - MA60/65/80/85/90/95 (300359-S)	1	1
10		1192532	Kit, Fowler Transmitter - MA60/65/80/85/90/95 (300359-S)	1	1

NOTE: A - Can also be used to cap off the plugs that are around the manifold if they need to remove bladders to make the mattress shorter.  
 B - Kit is no longer available as a service part, order 1192532 as its replacement.

# Mattress Replacement Covers - Solace

Covers for the SRS1080 are not available and will not be offered as a service part.

Mattress Shown  
for Reference Only



# Mattress Replacement Covers - Solace

Covers for the SRS1080 are not available and will not be offered as a service part.

## Mattress Replacement Covers - Solace

Invacare recommends that SST original covers be replaced with SST replacement covers. Cover manufacturer can be identified on the label sewn into and/or stamped on the cover.

Mattress Type	Part Number	Cover Dimensions (W x L x H in inches)	Model Number
Therapy 3000 (SST)	1151688-NLA	36 x 80 x 6-1/2"	STS3080
Prevention Therapy (SST)	1163135	36 x 80 x 6"	SPS1080, SKS1080, SPS2080, SPS3080
Prevention Therapy (Foamcraft)	1163155	36 x 80 x 6"	SPS1080, SKS1080, SPS2080, SPS3080
Resolve Therapy (SST)	1151688-NLA	36 x 80 x 6"	STS3080

## Mattress Replacement Covers - Solace

Mattress Type	Part Number	Cover Dimensions (W x L x H in Inches)	Model Number
Therapy 3000	1163134	36 x 80 x 6-1/2"	STS3080
Prevention Therapy	1163135	36 x 80 x 6"	SPS1080, SKS1080, SPS2080, SPS3080
Resolve Therapy	1163136	36 x 80 x 6"	STS1080, STS2080, SRS1080
Therapy 1000	1169168	42 x 84 x 6-1/2"	STS1084B42
Therapy 1000	1169169	39 x 84 x 6-1/2"	STS1084B39
Therapy 1000	1169170	39 x 76 X 6-1/2"	STS1076B39
Therapy 1000	1169171	42 x 76 x 6-1/2"	STS1076B42
Resolve Therapy	1169172	36 x 84 x 6"	SRS1084, SPS1084, STS1084
Resolve Therapy	1169173	36 x 76 x 6"	SRS1076
Resolve Therapy	1169174-NLA	36 x 84 x 6"	SRS3084
Resolve Therapy (Raised Side Rails)	1169175	36 x 80 x 6"	SRS1080RSR
Prevention Therapy	1169176	42 x 80 x 6"	SPS2080B42
Therapy 2080	1169177 See Note(s) A	48 x 80 x 6"	SPS2080B48/ STS2080B48
Prevention Therapy	1169178	36 x 76 x 6"	SPS3076

NOTE: A - Can be used for both SPS2080B48 and STS2080B48

# Mattress Covers - Solace Resolution Glissando™



*Glissando Standard Mattress Cover*



*Glissando Mattress Cover w/ Raised Side Rails*

# Mattress Covers - Solace Resolution Glissando™

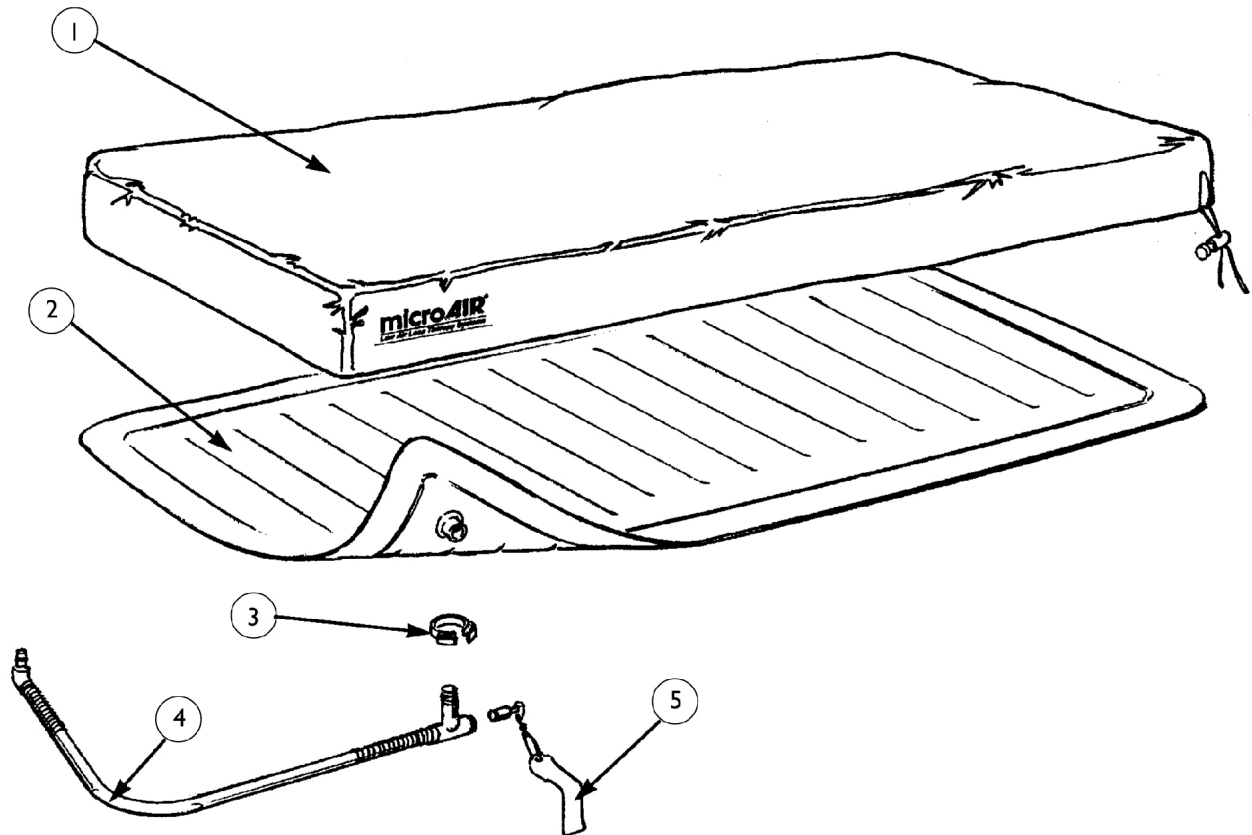
## Glissando Mattress Covers

Part Number	Description	Model No.
1179750-NLA	Cover, Mattress (80 x 39 x 6")	SRS2080W39
1179751-NLA	Cover, Mattress (80 x 42 x 6")	SRS2080W42
1179752	Cover, Mattress (84 x 39 x 6")	SRS2084W39
1179753	Cover, Mattress (84 x 42 x 6")	SRS2084W42
1172015	Cover, Mattress (80 x 36 x 6")	SRS2080
1172016	Cover, Mattress (76 x 36 x 6")	SRS2076
1172017	Cover, Mattress (84 x 36 x 6")	SRS2084

## Glissando Mattress Covers - Raised Side Rail

Part Number	Description	Model No.
1179754	Cover, Mattress (84 x 36")	SRS2084RSR
1179755	Cover, Mattress (80 x 39")	SRS2080W39RSR
1179756-NLA	Cover, Mattress (80 x 42")	SRS2080W42RSR
1179757-NLA	Cover, Mattress (80 x 36")	SRS2080RSR
1179657-NLA	Cover, Mattress	SPS1080RSR

# Mattress Assembly - Pup

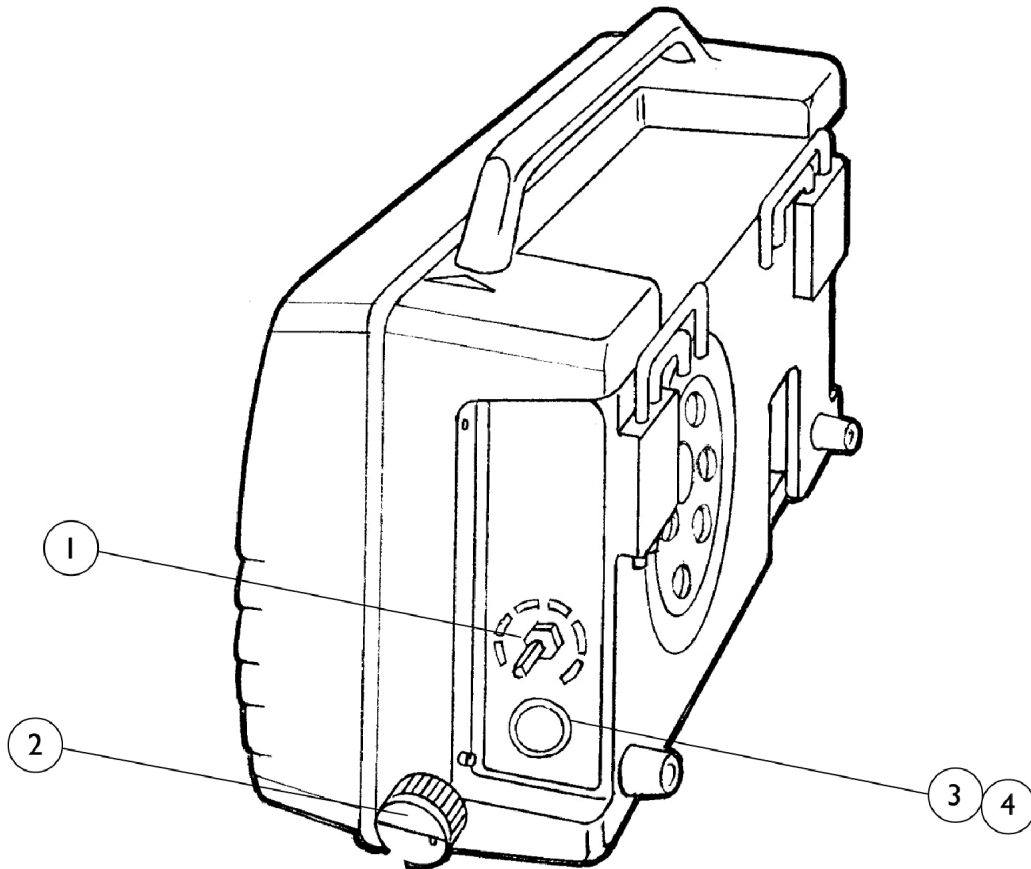


## Mattress Assembly - Pup

Item Number	Note	Part Number	Description	Quantity Per	
				Package	Assembly
1		9500006-NLA	NLA - Pad, Therapy	1	1
2		9500005	NLA - Mattress, Pup, Low Air Loss	1	1
3		596-NLA	NLA - Clamp, Hose (3/4")	1	1
4		9500007	NLA - Hose, Mattress (Includes: Elbows and O-Rings)	1	1
5		9502027-NLA	NLA - Flag with Hardware, CPR	1	1
	A	9502022-NLA	NLA - Mattress Assembly, Complete - Pup	1	1

NOTE: A - Not Shown

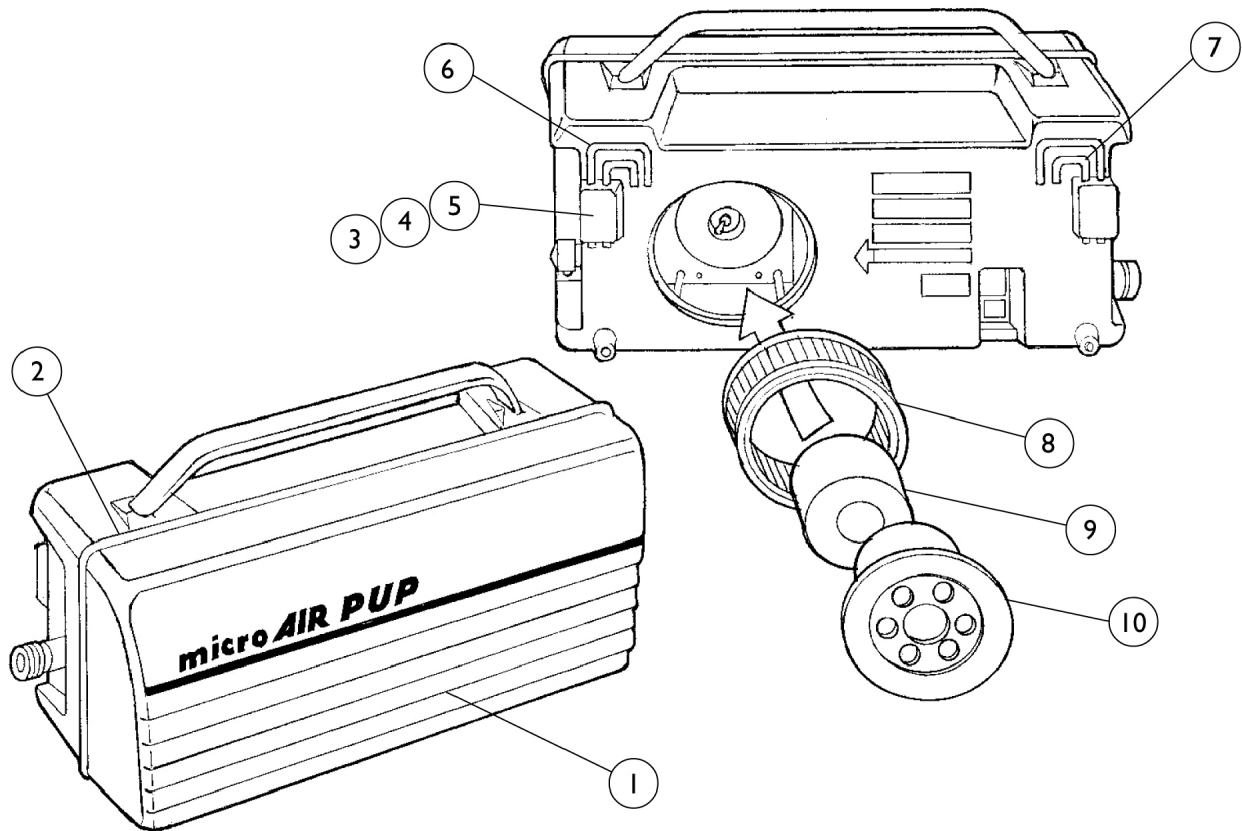
# Control Panel - Pup



Item Number	Note	Part Number	Description	Quantity Per	
				Package	Assembly
1		9512048-NLA	NLA - Potentiometer	1	1
2		1104175-NLA	NLA - Knob, Indicator, Black	1	1
3		1101063-NLA	NLA - Lens, Green	1	1
4		1525-NLA	NLA - Bulb, Incandescent (12V/16,000 Hour)	1	1



# Power Unit Pup



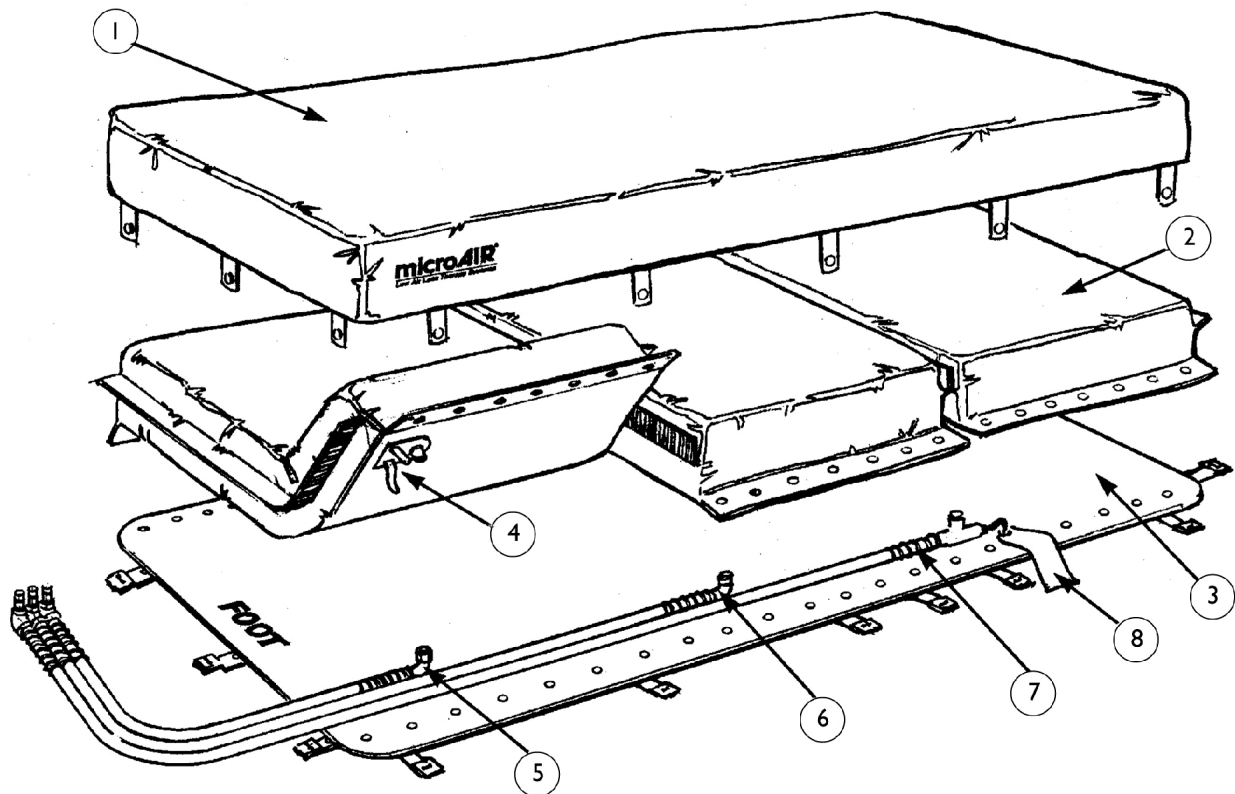
## Power Unit Pup

Item Number	Note	Part Number	Description	Quantity Per	
				Package	Assembly
1		9540026	Cover, Front Casting	1	1
2		673-NLA	NLA - Trim, Rubber Available in (1') Pieces.	1	3
3		677-NLA	NLA - Nut (1/4 - 20)	1	2
4		9650029-NLA	NLA - Gasket, Hook Plate	1	1
5		9540110-NLA	NLA - Plate, Hook	1	1
6	A	9540112-NLA	NLA - Hook, Wide	1	1
7	A	9540111-NLA	NLA - Hook, Narrow	1	1
8		9172069-NLA	NLA - Filter, Air	10	1
9		9610044-NLA	NLA - Muffler, Sound Absorbing	1	1
10		9692008-NLA	NLA - Filter Door Assembly (Includes: Door, Spring, Muffler, Gasket, and Screws)	1	1

NOTE: A - See page titled "Miscellaneous Accessories" page for Hook Replacement Kit

As of 4/6/00 a complete Pup Power Unit is No Longer Available. Only individual parts are available.

# Mattress Assembly - 3500S



# Mattress Assembly - 3500S

## Standard Mattress Width

Item Number	Note	Part Number	Description	Quantity Per	
				Package	Assembly
1		9170101-NLA	NLA - Pad, Therapy	1	1
2	B	9170021-NLA	NLA - Sack, Air (28")	1	3
3		9170033-NLA	NLA - Mat, Rubber (82" x 36")	1	1
4		9172032-NLA	NLA - Retainer, Hook and Loop	1	1
5		9540040	NLA - Hose, Foot Section, Green	1	1
6		9540038	NLA - Hose, Seat Section, Red	1	1
7		9540036	NLA - Hose, Back Section, Yellow	1	1
8		9172027-NLA	NLA - Flag with Hardware, CPR	1	1
	A	BB9572038	NLA - Mattress Assembly, Standard - 3500S	1	1

NOTE: A - Not Shown

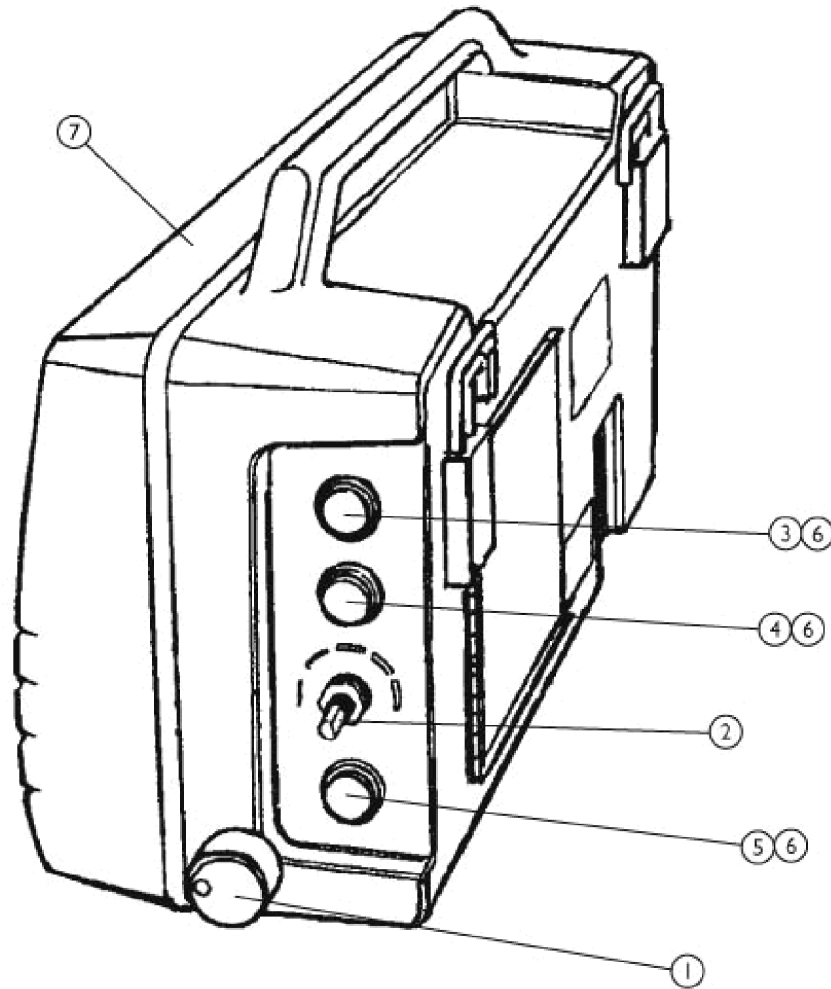
B - Item 4 must be ordered when replacing this part; it cannot be taken off with the old and used with the new.

## Narrow Mattress Width

Item Number	Note	Part Number	Description	Quantity Per	
				Package	Assembly
1		9170104-NLA	NLA - Pad, Therapy	1	1
2		9170093-NLA	NLA - Sack, Air (28")	1	3
3		9170070-NLA	NLA - Mat, Rubber (82" x 32")	1	1
4		9172032-NLA	NLA - Retainer, Hook and Loop	1	1
5		9540040	NLA - Hose, Foot Section, Green	1	1
6		9540038	NLA - Hose, Seat Section, Red	1	1
7		9540036	NLA - Hose, Back Section, Yellow	1	1
8		9172027-NLA	NLA - Flag with Hardware, CPR	1	1
	A	BB9572040-NLA	NLA - Narrow 3500S Mattress Assembly - Complete	1	1

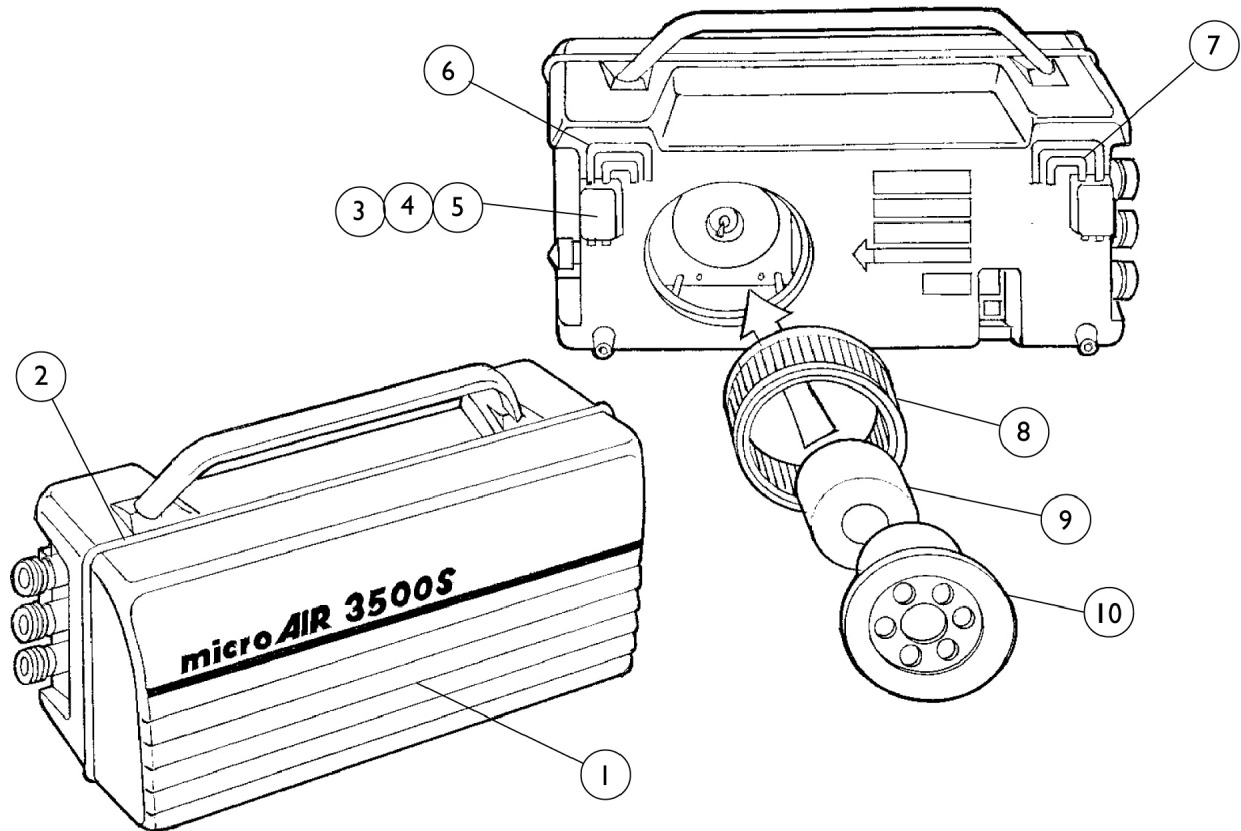
NOTE: A - Not Shown

## Control Panel - 3500S



Item Number	Note	Part Number	Description	Quantity Per	
				Package	Assembly
1		9512048-NLA	NLA - Potentiometer	1	1
2		1104175-NLA	NLA - Knob, Indicator, Black	1	1
3		1101065-NLA	NLA - Lens, Yellow	1	1
4		1101064-NLA	NLA - Lens, Blue	1	1
5		1101063-NLA	NLA - Lens, Green	1	1
6		1525-NLA	NLA - Bulb, Incandescent (12V/16,000 Hour)	1	3
7		9572072-NLA	NLA - Cover Assembly, 3500S - Front	1	1

# Power Unit - 3500S

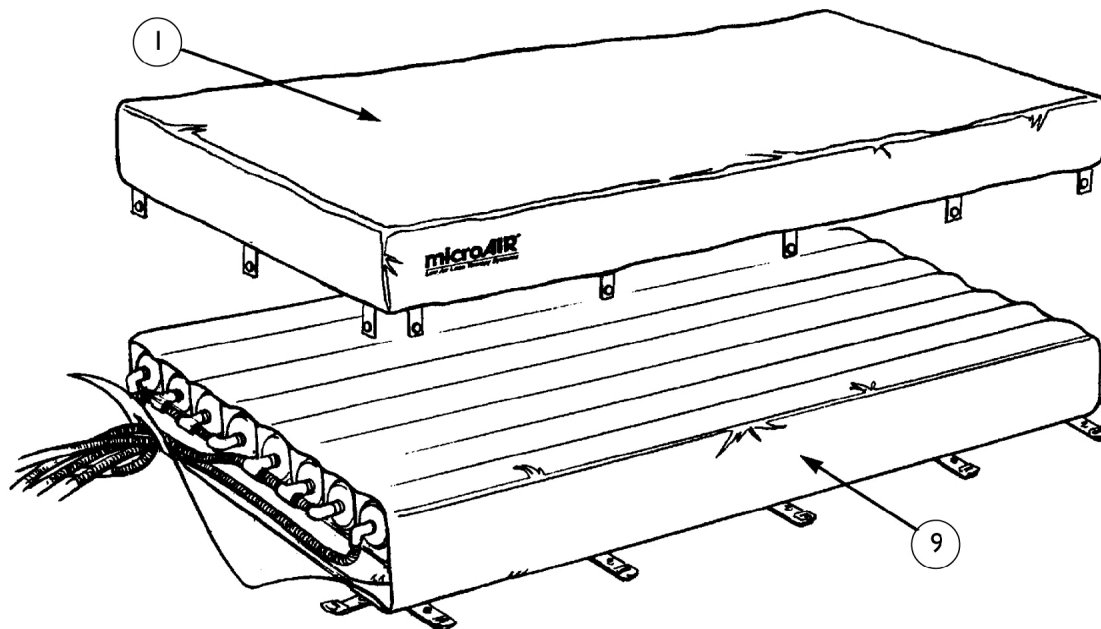
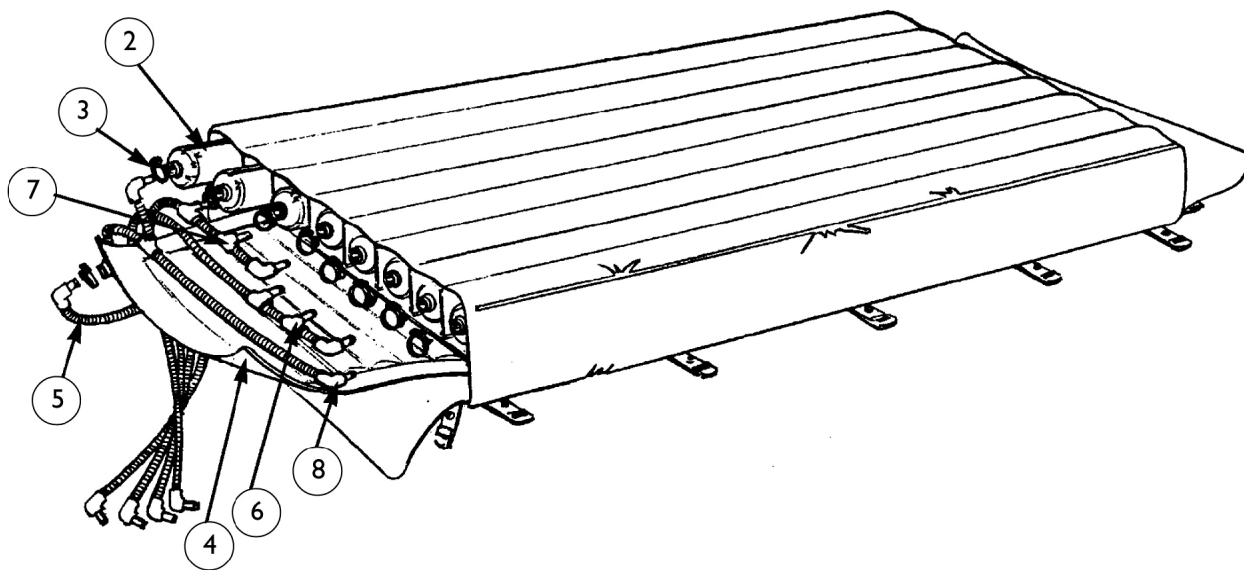


## Power Unit - 3500S

Item Number	Note	Part Number	Description	Quantity Per	
				Package	Assembly
1		BB9540024-NLA	NLA - Cover, Front Casting	1	1
2	C	673-NLA	NLA - Trim, Rubber Available in (1') Pieces.	1	3
3		677-NLA	NLA - Nut (1/4 - 20)	1	2
4		9650029-NLA	NLA - Gasket, Hook Plate	1	1
5		9540110-NLA	NLA - Plate, Hook	1	1
6	A	9540112-NLA	NLA - Hook, Wide	1	1
7	A	9540111-NLA	NLA - Hook, Narrow	1	1
8		9172069-NLA	NLA - Filter, Air	10	1
9		9610044-NLA	NLA - Muffler, Sound Absorbing	1	1
10	B	9692008-NLA	NLA - Filter Door Assembly (Includes: Door, Spring, Muffler, Gasket, and Screws)	1	1
	B	1101074-NLA	NLA - Cord, Power	1	1
	B	BB9572037	NLA - 3500S Power Unit Complete	1	1

NOTE: A - See page titled "Miscellaneous Accessories" page for Hook Replacement Kit.  
 B - Not Shown.  
 C - Three feet of strip is needed per unit.

# Mattress Assembly - Turn-Q





# Mattress Assembly - Turn-Q

## Standard Mattress Width

Item Number	Note	Part Number	Description	Quantity Per	
				Package	Assembly
1		9170101-NLA	NLA - Pad, Therapy	1	1
2		9510011	NLA - Tube, Air, Turn-Q (80")	1	8
3		596-NLA	NLA - Clamp, Hose (3/4")	1	9
4		9510068-NLA	NLA - Support, Mattress - Lower	1	1
5		9512034-NLA	NLA - Hose, Mattress - Yellow	1	1
6		9512035-NLA	NLA - Hose, Mattress - Red	1	1
7		9512036-NLA	NLA - Hose, Mattress - Blue	1	1
8		9512037-NLA	NLA - Hose, Mattress - Green	1	1
9		9510123-NLA	NLA - Cover, Mattress - Standard	1	1
	A	9512075-NLA	NLA - Turn-Q Mattress Assembly	1	1

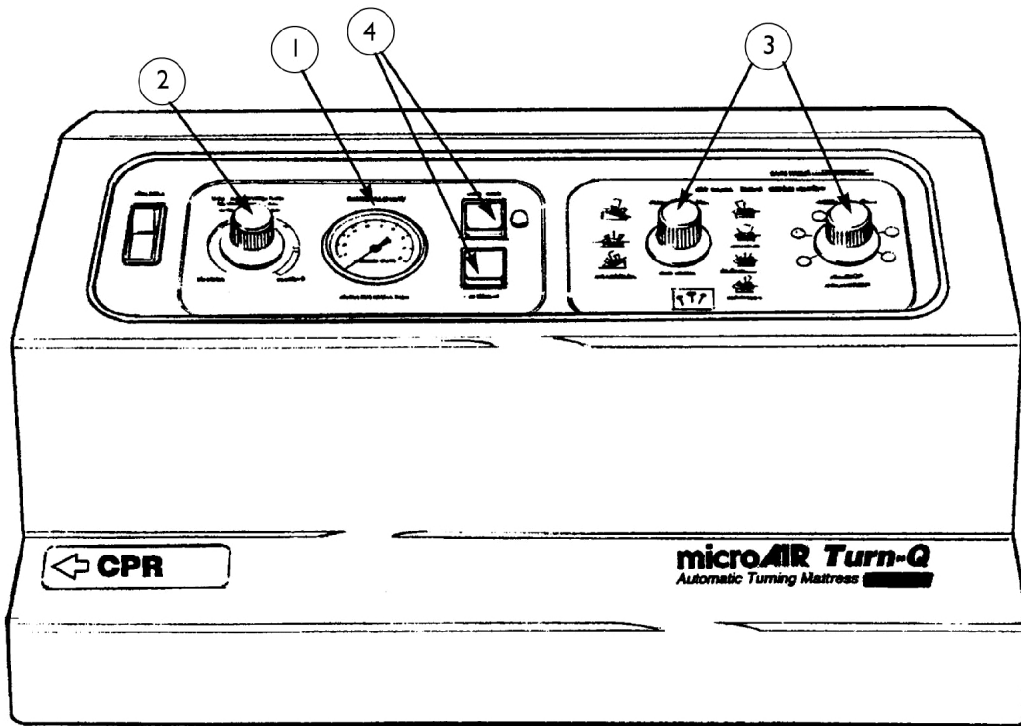
NOTE: A - Not Shown

## Narrow Mattress Width

Item Number	Note	Part Number	Description	Quantity Per	
				Package	Assembly
1		9170104-NLA	NLA - Pad, Therapy	1	1
2		9510011	NLA - Tube, Air, Turn-Q (80")	1	8
3		596-NLA	NLA - Clamp, Hose (3/4")	1	9
4		9510064-NLA	NLA - Support, Mattress - Lower	1	1
5		9512034-NLA	NLA - Hose, Mattress - Yellow	1	1
6		9512035-NLA	NLA - Hose, Mattress - Red	1	1
7		9512036-NLA	NLA - Hose, Mattress - Blue	1	1
8		9512037-NLA	NLA - Hose, Mattress - Green	1	1
9		9510129-NLA	NLA - Cover, Mattress - Narrow	1	1
	A	BB9512076-NLA	NLA - Narrow Turn-Q Mattress Assembly	1	1

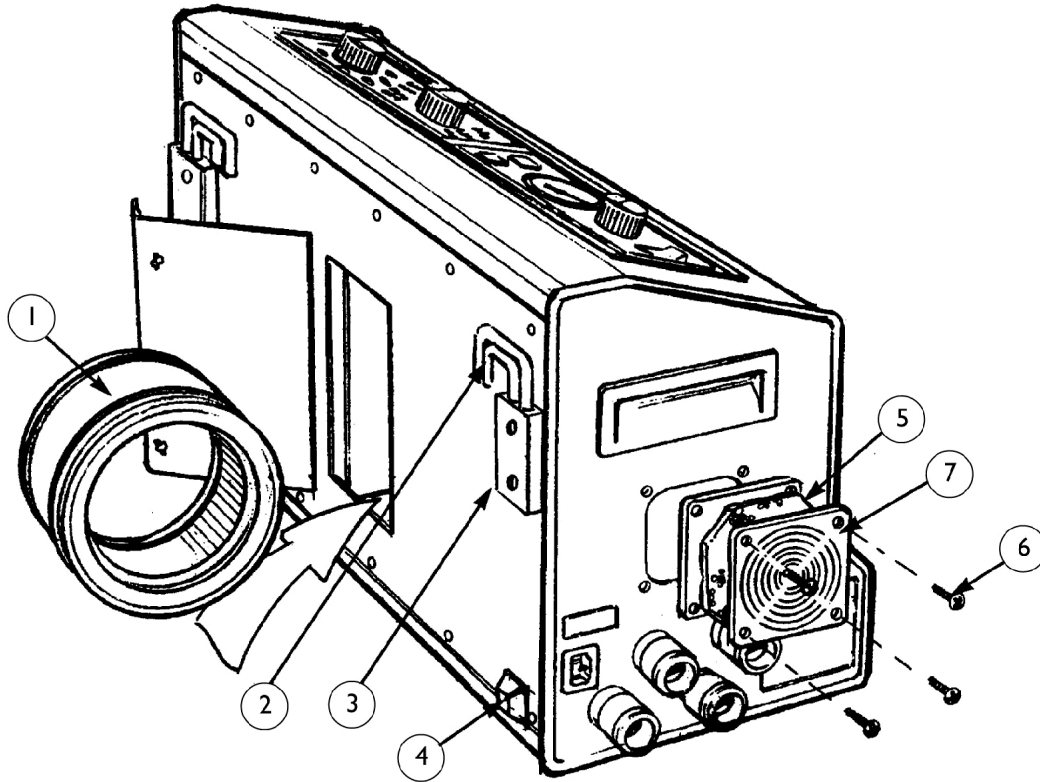
NOTE: A - Not Shown

## Control Panel - Turn-Q



Item Number	Note	Part Number	Description	Quantity Per	
				Package	Assembly
1		1101052-NLA	NLA - Gauge, Pressure 0-20" H-2-0 Column	1	1
2		664-NLA	NLA - Knob, Control - without Arrow (1/4" I.D.)	1	1
3		1101059-NLA	NLA - Knob, Selector with Arrow (1/8" I.D.)	1	2
4		1522-NLA	NLA - Switch, Momentary	1	2

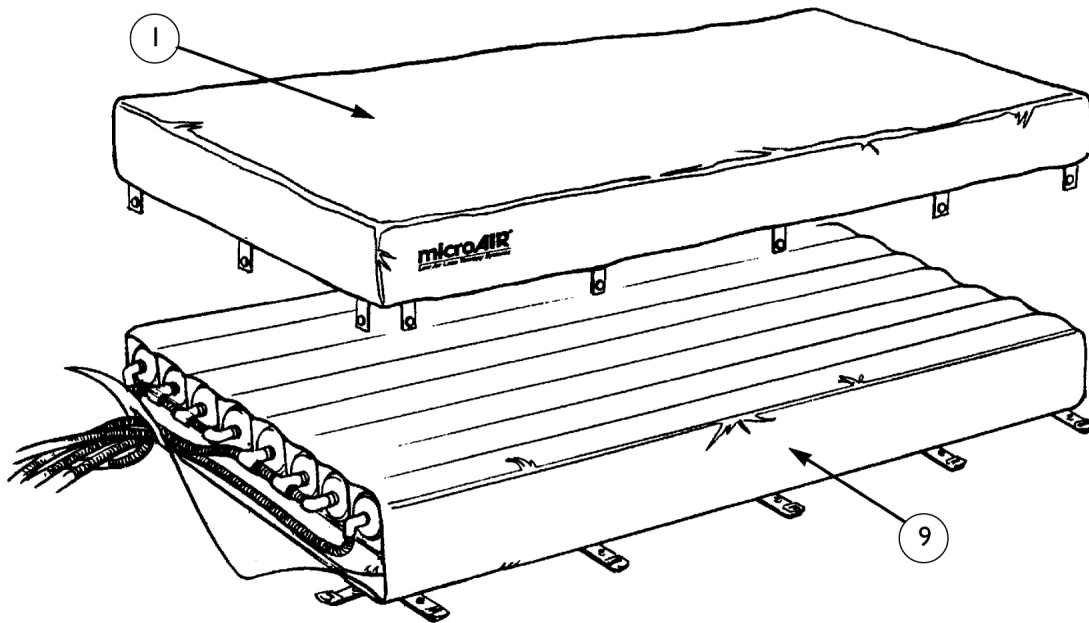
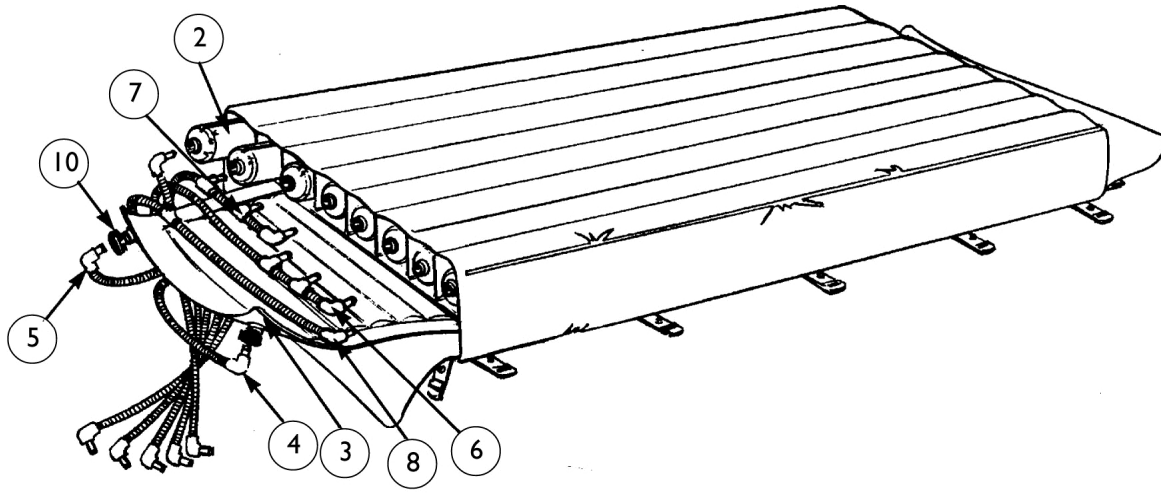
# Power Unit Turn-Q



Item Number	Note	Part Number	Description	Quantity Per	
				Package	Assembly
1		9172069-NLA	NLA - Filter, Air	10	1
2	A	9382029-NLA	NLA - Hook, Interchangeable	1	2
3		805-NLA	NLA - Screw (1/4-20 x 3/4")	1	4
4		1101057-NLA	NLA - Bumper, Rubber, Grey	1	4
5		647-NLA	NLA - Filter, Foam	10	1
6		341-NLA	NLA - Screw (#6-32 x 3/8")	1	4
7		646-NLA	NLA - Screen, Filter	1	1
	B	BB9512071	NLA - Unit, Power, Turn-Q	1	1

NOTE: A - See page titled "Miscellaneous Accessories" page for Hook Replacement Kit.  
B - Not Shown.

# Mattress Assembly - Turn-Q Plus



# Mattress Assembly - Turn-Q Plus

## Standard Mattress Width

Item Number	Note	Part Number	Description	Quantity Per	
				Package	Assembly
1		9170101-NLA	NLA - Pad, Therapy	1	1
2		9610012	NLA - Tube, Air (80")	1	8
3		9610009	NLA - Mattress, Turn-Q Plus, Lower	1	1
4		9610006	NLA - Turn-Q Plus - Hose, Mattress, Long (Yellow)	1	1
5		9610005-NLA	NLA - Turn-Q Plus - Hose, Mattress, Short (Yellow)	1	1
6		9610003	NLA - Turn-Q Plus - Hose, Mattress (Red)	1	1
7		9610004	NLA - Turn-Q Plus - Hose, Mattress (Blue)	1	1
8		9610007-NLA	NLA - Turn-Q Plus - Hose, Mattress (Green)	1	1
9		9510123-NLA	NLA - Cover, Mattress - Standard	1	1
10		807-NLA	NLA - Clamp, Hose (Size L)	1	2
	A	BB9612015-NLA	NLA - Mattress Assembly, Standard - Turn-Q	1	1

NOTE: A - Not Shown

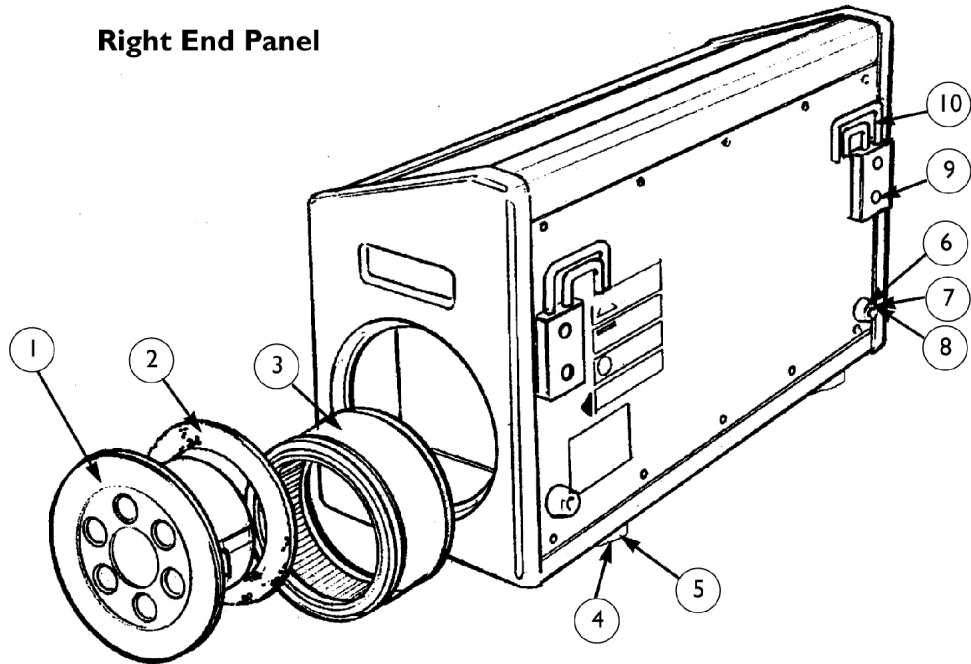
## Narrow Mattress Width

Item Number	Note	Part Number	Description	Quantity Per	
				Package	Assembly
1		9170104-NLA	NLA - Pad, Therapy	1	1
2		9610012	NLA - Tube, Air (80")	1	8
3		9610093-NLA	NLA - Mattress, Lower	1	1
4		9610006	NLA - Turn-Q Plus - Hose, Mattress, Long (Yellow)	1	1
5		9610005-NLA	NLA - Turn-Q Plus - Hose, Mattress, Short (Yellow)	1	1
6		9610003	NLA - Turn-Q Plus - Hose, Mattress (Red)	1	1
7		9610004	NLA - Turn-Q Plus - Hose, Mattress (Blue)	1	1
8		9610007-NLA	NLA - Turn-Q Plus - Hose, Mattress (Green)	1	1
9		9510129-NLA	NLA - Cover, Mattress - Narrow	1	1
10		807-NLA	NLA - Clamp, Hose (Size L)	1	2
	A	BB9612016	NLA - Narrow Turn-Q Mattress Assembly	1	1

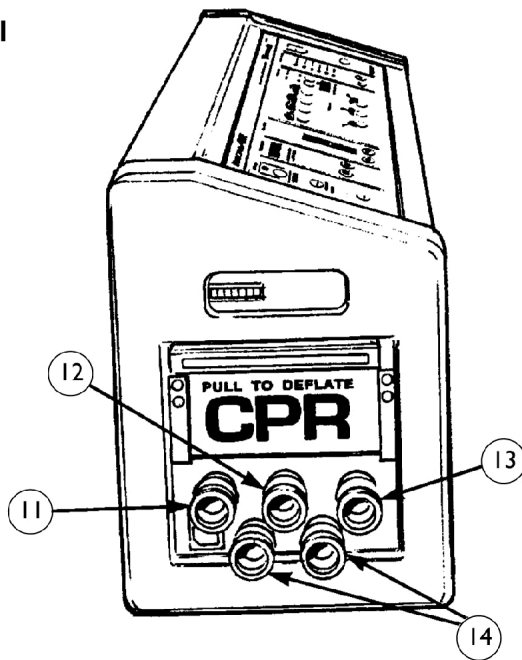
NOTE: A - Not Shown

# Power Unit Turn-Q Plus

## Right End Panel



## Left End Panel

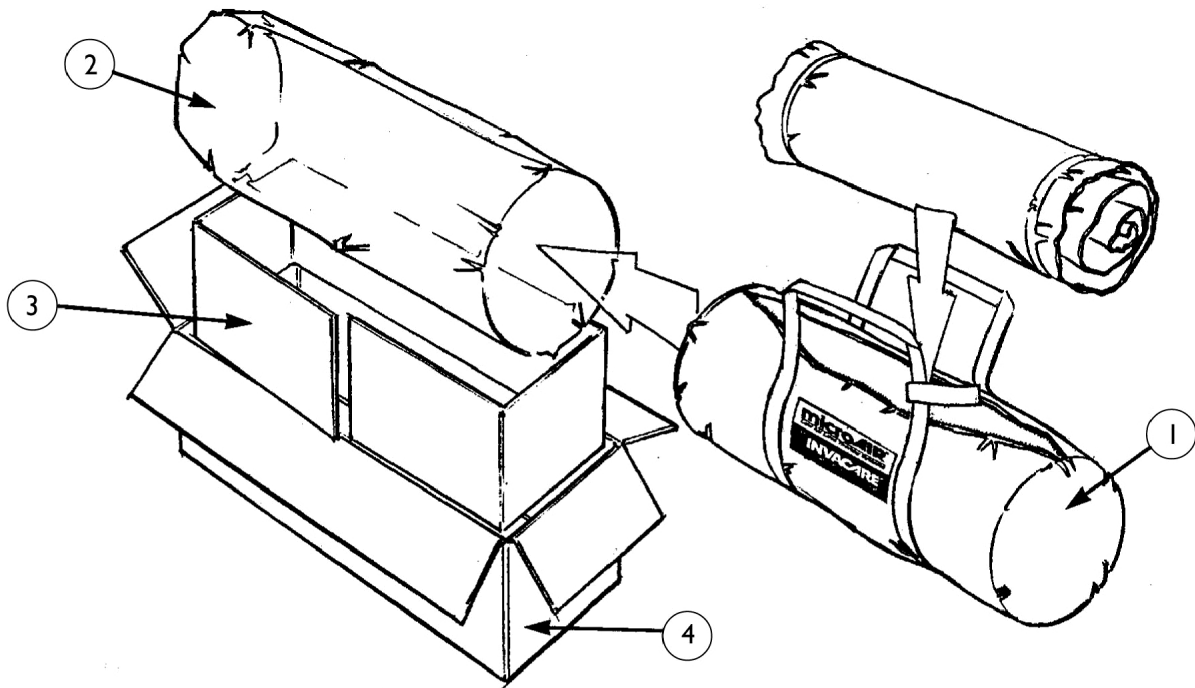


## Power Unit Turn-Q Plus

Item Number	Note	Part Number	Description	Quantity Per	
				Package	Assembly
1		9610045-NLA	NLA - Filter Door Assembly (Includes: Door, Spring, Muffler, Gasket and Screws)	1	1
2		9610035-NLA	NLA - Gasket, Filter	1	1
3		9172069-NLA	NLA - Filter, Air	10	1
4		1101057-NLA	NLA - Bumper, Rubber, Grey	1	4
5		1101058-NLA	NLA - Screw (1/4-20 x 5/8")	1	4
6		686-NLA	NLA - Bumper, Composite, Black	1	2
7		393-NLA	NLA - Screw (#8-32 x 1/2")	1	2
8		654-NLA	NLA - Washer, Lock (#10)	1	2
9		805-NLA	NLA - Screw (1/4-20 x 3/4")	1	4
10	A	9382029-NLA	NLA - Hook, Interchangeable	1	2
11		9510100-NLA	NLA - Coupler, Quick Release, Green	1	1
12		9510099-NLA	NLA - Coupler, Quick Release, Blue	1	1
13		9510098-NLA	NLA - Coupler, Quick Release, Red	1	1
14		9510097-NLA	NLA - Coupler, Quick Release, Yellow	1	2
	B	BB9612014	NLA - Unit, Power, Turn-Q Plus	1	1

NOTE: A - See page titled "Miscellaneous Accessories" page for Hook Replacement Kit.  
B - Not Shown.

# Packaging - Mattress



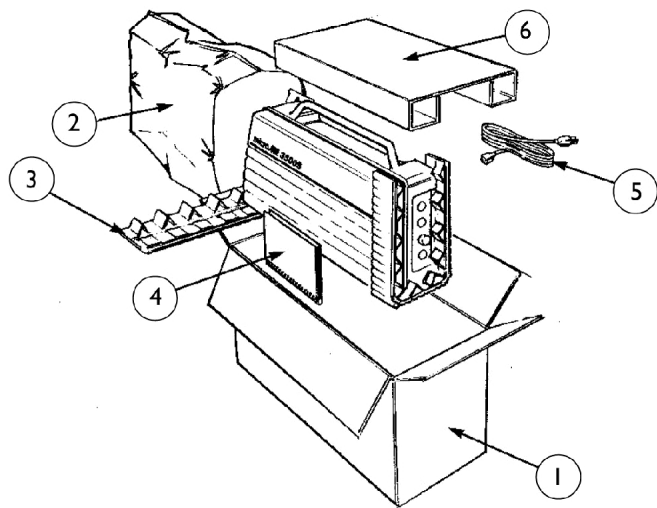


## Packaging - Mattress

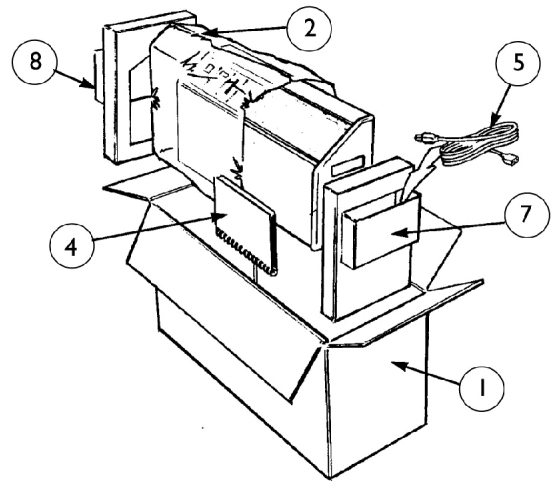
Item Number	Note	Part Number	Description	Quantity Per	
				Package	Assembly
1		9572047	Bag, Duffel, Standard - 3500S	1	1
1		9572048-NLA	NLA - Bag, Duffel - 3500S (Narrow Size)	1	1
1		9502030-NLA	NLA - Bag, Duffel - PUP	1	1
1		9512086	NLA - Bag, Duffel, Standard - Turn-Q,	1	1
1		9512087-NLA	NLA - Duffel Bag - Turn-Q, Narrow Size	1	1
1		9612012	Bag, Duffel, Standard/ Narrow - Turn-Q Plus	1	1
2		659-NLA	NLA - Bag, Poly	1	1
3		BB9170153-NLA	NLA - Liner, Carton	1	1
4		9170098-NLA	NLA - Carton, Mattress	1	1

NOTE: See "Packaging and Literature - Power Unit" page for available Literature.  
 NOTE: When adjusting or replacing parts, please refer to your Owner's Manual for assistance.

# Packaging & Literature - Power Unit



**3500S / PUP**

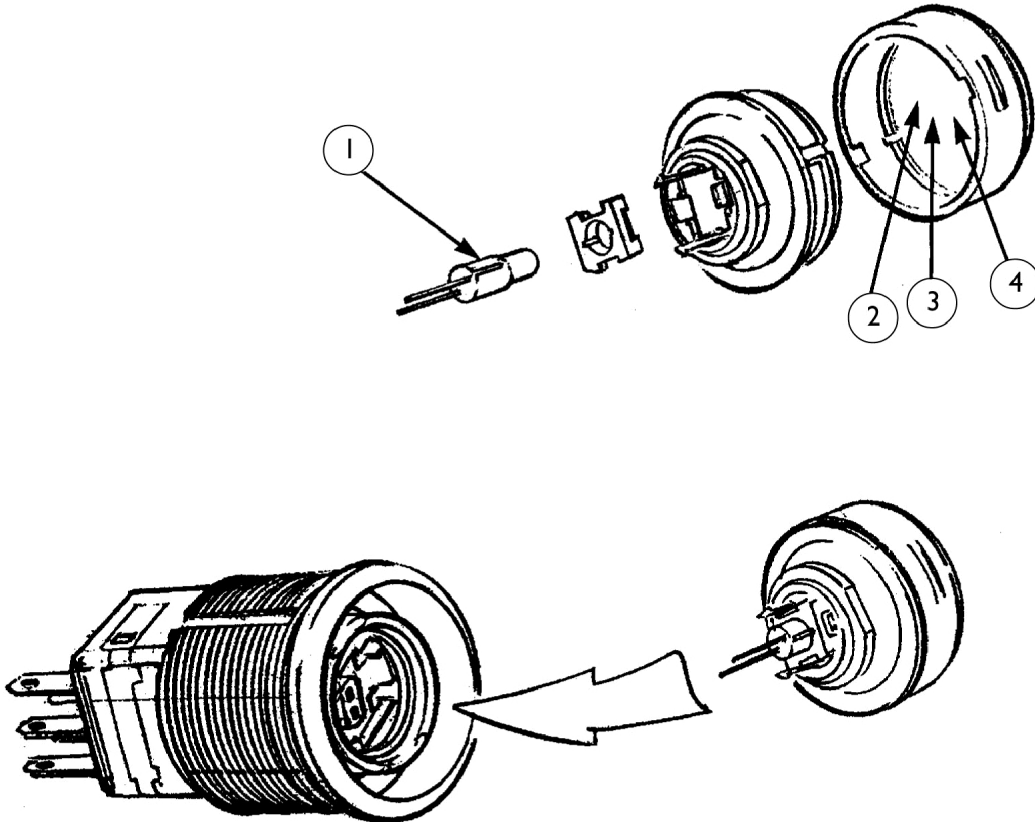


**Turn-Q / Turn-Q Plus**

## Packaging & Literature - Power Unit

Item Number	Note	Part Number	Description	Quantity Per	
				Package	Assembly
1	A,B	9570023-NLA	NLA - Carton	1	1
1	C,D	9510074	NLA - Carton	1	1
2	A,B,D	1101068-NLA	NLA - Bag, Poly	1	1
2	C	659-NLA	NLA - Bag, Poly	1	1
3		BB9540108-NLA	NLA - Packing Wrap	1	2
4		9692006-NLA	NLA - Owners Manual - 3500S	1	1
4		9500015-NLA	NLA - Owners Manual - Pup	1	1
4		740-NLA	NLA - Owners Manual - Turn-Q	1	1
4		9612017-NLA	NLA - Owners Manual - Turn-Q Plus	1	1
4		1098354-NLA	NLA - Owner's Manual, Turn-Q Plus	1	1
5		1101074-NLA	NLA - Cord, Power	1	1
6		9540107-NLA	NLA - Packing Pad, Scored	1	1
7		BB9510094-NLA	NLA - Cap, End, Foam - Right	1	1
8		BB9510095-NLA	NLA - Cap, End, Foam - Left	1	1
NOTE: A - Used on 3500S B - Used on Pup C - Used on Turn-Q D - Used on Turn-Q Plus					
NOTE: When adjusting or replacing parts please refer to you Owner's Manual for assistance.					

# Bulb & Lens Replacement - 3500S & Pup



## Bulb & Lens Replacement - 3500S & Pup

Item Number	Note	Part Number	Description	Quantity Per	
				Package	Assembly
1		1525-NLA	NLA - Bulb, Incandescent (12V/16,000 Hour)	1	1
2		1101063-NLA	NLA - Lens, Green	1	1
3		1101064-NLA	NLA - Lens, Blue	1	1
4		1101065-NLA	NLA - Lens, Yellow	1	1
	A,B	9572024-NLA	NLA - Switch, Green	1	1
	A,B	9572025-NLA	NLA - Switch, Yellow	1	1
	A,B	9572026-NLA	NLA - Switch, Blue	1	1

NOTE: A - Not Shown  
 B - Please contact an Invacare Parts Specialist for replacement parts at 1-800-333-6900 ext. 3722.

# Miscellaneous Accessories Index

## 3500S Accessories

Part Number	Description	Package Quantity	Assembly Quantity
BB9572042-NLA	NLA - 3500S - Air Sack Set	3	1
BB9572036-NLA	NLA - Hose, Extended Set, 3500S (Includes: Hoses, Tubing, and Couplers)	1	1
9572043	NLA - Hose, Extended Set, 3500S (Includes: Hoses, Tubing, and Couplers)	1	1

## PUP Accessories

Part Number	Description	Package Quantity	Assembly Quantity
9500009-NLA	NLA - Pup - Extended Hose	1	1

## Turn-Q Accessories

Part Number	Description	Package Quantity	Assembly Quantity
BB9512079-NLA	NLA - Turn-Q - Knob Replacement Kit	1	1
BB9512080-NLA	NLA - Turn-Q Hose Set (Includes Yellow, Red, Blue, and Green Hoses)	1	1
9512038-NLA	NLA - Turn-Q - Hose, Extended Set (Includes: Yellow, Red, Blue, and Green Extended Hoses)	1	1
9510135-NLA	NLA - Turn-Q - Hose, Extended (Yellow)	1	1
9510136-NLA	NLA - Turn-Q - Hose, Extended (Red)	1	1
9510137-NLA	NLA - Turn-Q - Hose, Extended (Blue)	1	1
9510138-NLA	NLA - Turn-Q - Hose, Extended (Green)	1	1
BB9512083-NLA	NLA - Turn-Q - Mattress with Extended Hoses	1	1

# Miscellaneous Accessories Index

## Turn-Q Plus Accessories

Part Number	Description	Package Quantity	Assembly Quantity
9612026-NLA	NLA - Turn-Q Plus - Hose Set (Includes Yellow, Red, Blue, and Green Hoses)	1	1
9610006	NLA - Turn-Q Plus - Hose, Mattress, Long (Yellow)	1	1
9610005-NLA	NLA - Turn-Q Plus - Hose, Mattress, Short (Yellow)	1	1
9610003	NLA - Turn-Q Plus - Hose, Mattress (Red)	1	1
9610004	NLA - Turn-Q Plus - Hose, Mattress (Blue)	1	1
9610007-NLA	NLA - Turn-Q Plus - Hose, Mattress (Green)	1	1
9612028-NLA	NLA - Turn-Q Plus - Hose Extended Set (Includes: Yellow, Red, Blue, and Green Extended Hoses)	1	1
9610107-NLA	NLA - Hose, Turn-Q Plus, Extended, Red	1	1
9610108-NLA	NLA - Hose, Turn-Q Plus, Extended, Blue	1	1
9610109-NLA	NLA - Hose, Turn-Q Plus, Extended, Yellow	1	1
9610110-NLA	NLA - Hose, Turn-Q Plus, Hose, Extended Long, Yellow	1	1
9610111-NLA	NLA - Hose, Turn-Q Plus, Extended, Green	1	1

# Miscellaneous Accessories Index

## MA Series

Fuse Kits	Used with Models	Package Quantity	Assembly Quantity
1165874-NLA	MA50 MA51 MA55 MA60 MA65 MA90	5	1
1165875	MA80 MA85 MA95	5	1

## Miscellaneous

Part Number	Description	Package Quantity	Assembly Quantity
9540048	NLA - Sheet, Draw (6 x 3")	1	1
9382030-NLA	NLA - Hook Replacement Kit (Includes: Hooks and Screws)	2	1
BB730-NLA	NLA - Pads, Incontinence	72	1
9610100	NLA - Extension, Side Rail, Half Set	2	2
BB9172028-NLA	NLA - Timer	1	1
1101067-NLA	NLA - Paint, Touch-Up	1	1
9570020-NLA	NLA - Matt, Transport	1	1
9172072-NLA	NLA - 1000 and 100 Plus - Extended Hose Set	1	1



**Invacare Corporation**

[www.invacare.com](http://www.invacare.com)



**Yes, you can.**

One Invacare Way  
Elyria, Oh USA  
44036-2125  
800-333-6900

Technical Support  
800-832-4707  
Florida Technical Support  
407-321-5630

Customer Service  
800-333-6900

© 2022 Invacare Corporation, Elyria, Ohio.  
All rights reserved. Republication,  
duplication or modification in whole or in part  
is prohibited without prior written permission  
from Invacare. Trademarks are identified by  
the symbols ™ and ®. All trademarks are  
owned by or licensed to Invacare  
corporation unless otherwise noted.  
(Revised 10/27/22)

Form No. 96-135