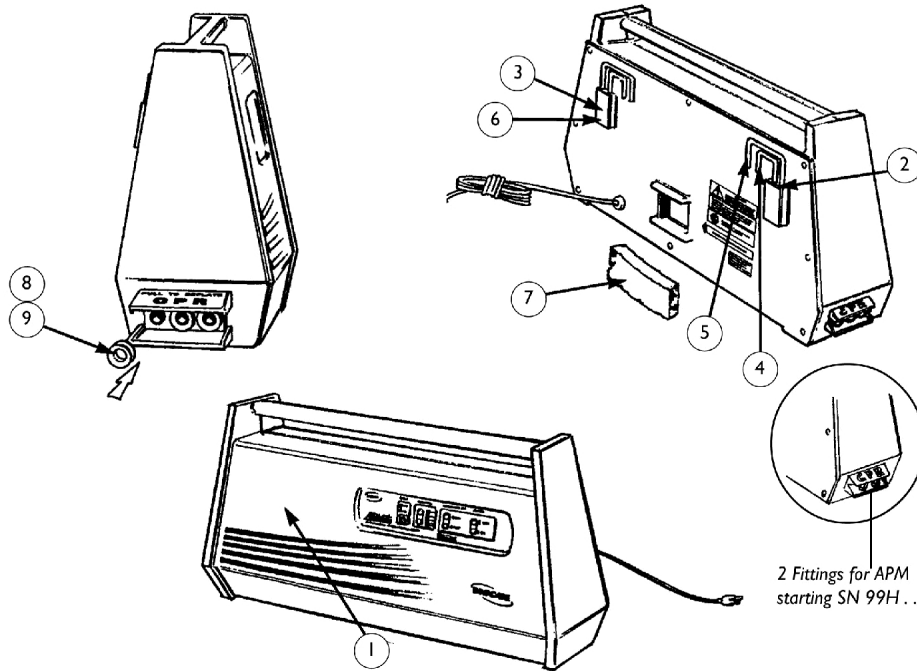


Power Unit Assembly



Item Number	Note	Part Number	Description	Quantity Per	
				Package	Assembly
1		BB9650033 -NLA	NLA - Cover, Front	1	1
2		817	O-Ring (5mm x 2mm)	1	4
3		9540110-NLA	NLA - Plate, Hook	1	2
4		9540111-NLA	NLA - Hook, Narrow	1	2
5		9540112-NLA	NLA - Hook, Wide	1	2
6		9650029-NLA	NLA - Gasket, Hook Plate	1	2
7		9650019	Element, Air Filter	1	1
8	A	845-NLA	NLA - V-Ring, CPR	1	3
9	A	424-NLA	NLA - O-Ring (15mm ID x 3mm)	1	3
	B,C	9652001-NLA	NLA - Power Unit, APM Boxed	1	1
	B,C	9653001-NLA	NLA - Chassis, APM Boxed	1	1
	B,C	BB9722001-NLA	NLA - Power Unit, LTM Boxed	1	1

NOTE: A - For LTM units only and for APM units manufactured before serial number 99H.
 B - Not Shown
 C - For a complete boxed APM Power Unit; before Serial Number 99H.. order part no. 9652001, after Serial Number 99G.. is not available.