

**Storm Series®  
Ranger II™**

**RWD**

**Power Wheelchair**



*Yes, you can.*

# Parts Catalog Usage Guide

The information contained in this document is subject to change without notice. This catalog contains service parts for Form No. 95-172. If you have any questions regarding this catalog, please contact one of our Customer Service Representatives.

**For Customer Service Support Call:**

**1-800-333-6900**

**For Faxed In Orders Call:**

**1-800-678-4682 or**

**1-440-366-0709**

**For Technical Service Call:**

**1-800-832-4707**

**Literature Can Be Found at:**

**www.invacare.com or**

**1-800-828-6272**

## SYMBOL DEFINITION

Throughout this catalog you will notice letters to draw your attention to specific footnotes which are located at the bottom of the page or below specified charts.

Examples:

A,B,C etc. = Special Comments

NOTE: = General information pertaining to that specific page

NLA = No Longer Available

## HARDWARE MEASUREMENTS

The measurements for the hardware will be listed as follows:

Screws, Bolts Diameter X Thread Count/Pitch X Length

Washers Inside Diameter X Outside Diameter X Thickness

Spacers Inside Diameter X Outside Diameter X Length

For your convenience, we have supplied an area for you to list your Invacare Representatives.

Name	Phone Numbers

© 2022 Invacare Corporation, Elyria, Ohio. Invacare, Yes, you can., the Medallion Design, and Storm Series are registered trademarks of Invacare Corporation; Ranger II is a trademark of Invacare Corporation; Tash is a registered trademark of Tash International Inc.; Therafin is a registered trademark of W/R/ Medical Electronics Co.; Bussman is a registered trademark of Cooper Industries; MIDI is a registered trademark of Littelfuse Inc.; and Dynamic is a registered trademark of Dynamic Controls Limited.

# TABLE of CONTENTS

Description	Page Number
Accessories - Headrest Extension (9110L) .....	136
Accessories - Miscellaneous .....	141
Accessories - Oxygen Holder Assembly .....	138
Accessories - Power Wheelchair Tool Kit .....	139
Arms, Adjustable Height, Removable, Non-Reclining (After 9/30/00) .....	37
Arms, Adjustable Height, Removable, Non-Reclining (Before 10/1/00 and All Recliners) .....	35
Arms, Fixed Height, Removable, Non-Reclining (After 9/30/00) .....	43
Arms, Fixed Height, Removable, Non-Reclining (Before 10/1/00 and All Recliners) .....	40
Back Canes and Attaching Hardware (After 9/30/00) .....	20
Back Canes and Attaching Hardware (Before 10/1/00) .....	17
Back, Recliner Assembly .....	21
Battery Boxes and Trays .....	58
Battery Charger and Harnesses .....	60
Casters and Forks .....	46
Crossbraces and Seat Extensions .....	14
Electronics - COM12 and COM34 .....	127
Electronics - MKIV Controller, Programmer and Attaching Hardware .....	123
Electronics - MKIV Displays .....	129
Electronics - MKIV Joystick Mounting Hardware and Joystick Accessories .....	112
Electronics - MKIV Joystick Options .....	131
Electronics - MKIV Joysticks RII, RX, A, A+, TCHJOY .....	107

# TABLE of CONTENTS

Description	Page Number
Electronics - MKIV Joysticks PS, PFS and PSR .....	110
Electronics - MKIV Sip-N-Puff/ Digital Interface .....	125
Electronics - MKIV Swivel Joystick Hardware .....	114
Electronics - MKVI Mid-Line Swing Bracket Assembly .....	116
Electronics - Quad Link Assembly (Before 4/07/06) .....	118
Electronics - Quad Link Assembly (QL) (After 4/06/06) .....	121
Electronics - Tash and Therafin Accessories .....	134
Frame Finishes, Touch-Up Paints and Upholstery Colors .....	5
Frames, Side and Hardware (After 9/30/00) .....	12
Frames, Side and Hardware (Before 10/1/00) .....	10
Front Riggings - Adjustable Angle Footplate Assembly, AT5543 - PW93, PW93E .....	95
Front Riggings - Adjustable Heel Loops .....	105
Front Riggings - Calf Pads and Attaching Hardware .....	85
Front Riggings - Footrest and Legrest Accessories .....	101
Front Riggings - Footrest Supports - P93 .....	65
Front Riggings - Footrest Supports - P93E .....	73
Front Riggings - Footrest Supports - P93M .....	77
Front Riggings - Footrest Supports - P93ST .....	69
Front Riggings - Footrest Supports - PW93 .....	67
Front Riggings - Footrest Supports - PW93E .....	75
Front Riggings - Footrest Supports - PW93ST .....	71



# TABLE of CONTENTS

Description	Page Number
Front Riggings - Legrest Release Handles and Ratchet Assembly .....	83
Front Riggings - Legrest Supports - P904A .....	79
Front Riggings - Legrest Supports - PAS4A/PAL4A .....	81
Front Riggings - One Piece Wooden Footboard - (S1263) For P93, P93E, P93M, PW93, PW93E	97
Front Riggings - Pivot/ Slide Tube and Footplate - P904, PAL4A, PAS4A .....	93
Front Riggings - Pivot/ Slide Tube and Footplate - P93, P93E, P93M .....	87
Front Riggings - Pivot/ Slide Tube and Footplate - PW93, PW93E .....	89
Front Riggings - Reference Chart .....	62
Front Riggings- Pivot/ Slide Tube and Footplate - P93ST, PW93ST .....	91
Motor, 2-Pole and Gearbox .....	52
Motor, 4-Pole and Gearbox .....	55
Packaging, Literature and Decals .....	8
Solid Folding Seats .....	33
Upholstery, Back Non-Recliner (After 9/30/00) .....	26
Upholstery, Back Non-Recliner (Before 10/01/00) .....	24
Upholstery, Recliner Back, Headrests and Pillows .....	30
Upholstery, Seat .....	28
Warranty Replacement Parts .....	142
Wheel Lock .....	50
Wheels, Rear and Anti-Tippers .....	48

# Frame Finishes, Touch-Up Paints and Upholstery Colors

## Frame Finishes and Touch-Up Paints

Color Number	Part Number	Bottle Size	Color
02P	1031452-NLA	.6 oz.	Pink Pearl
06P	1031454-NLA	.6 oz.	Super Teal
08P	1031456-NLA	.6 oz.	Deep Purple
17P	1046319-NLA	.6 oz.	Cobalt Blue
22P	1033376-NLA	.6 oz.	Anthracite
24P	1031450-NLA	.6 oz.	Wet Black
29P	1031447-NLA	.6 oz.	White
30P	1031448-NLA	.6 oz.	Sunny Yellow
31P	1031453-NLA	.6 oz.	Lollipop Pink
33P	1031455-NLA	.6 oz.	Red
34P	1046327-NLA	.6 oz.	Flat Black
61P	1046321-NLA	.6 oz.	Electric Red
See Note(s) A	See Note(s) A		See Note(s) A
62P	1046320-NLA	.6 oz.	Electric Blue
See Note(s) A	See Note(s) A		See Note(s) A
64P	1046324-NLA	.6 oz.	Metallic Blue
See Note(s) A	See Note(s) A		See Note(s) A
65P	1046323-NLA	.6 oz.	Metallic Green
See Note(s) A	See Note(s) A		See Note(s) A
69P	1101320-NLA	.6 oz.	Teflon Black
71P	N/A	N/A	Silver Vein
80P	1073892-NLA	.6 oz.	Evergreen with Navy
83P	1073895-NLA	.6 oz.	Royal Blue with Grape
84P	1073896-NLA	.6 oz.	Lavender
101P	1101325-NLA	.6 oz.	Jeweled Green
102P	1101327-NLA	.6 oz.	Denim Blue
103P	1101324-NLA	.6 oz.	Mocha Frost
104P	1101316-NLA	.6 oz.	Electric Teal
105P	1101326-NLA	.6 oz.	Midnight Blue

NOTE: A - Veiling is not available on these colors.

# Frame Finishes, Touch-Up Paints and Upholstery Colors

## Sparkle Frame Finishes

Color Number	Color
72P	Twilight Sparkle
73P	Gold Sparkle
74P	Green Sparkle
75P	Blue Sparkle
76P	Red Sparkle
88P	Wet Black with Twilight Sparkle

## Veil Options

Color Number	Color
13V	Dark Purple Veil
67V	Gold Veil
19V	Green Veil
15V	Grey Veil

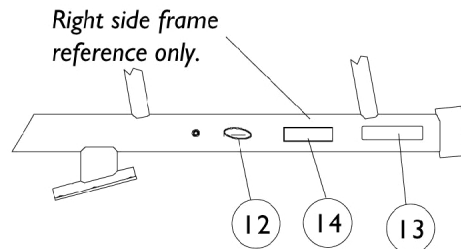
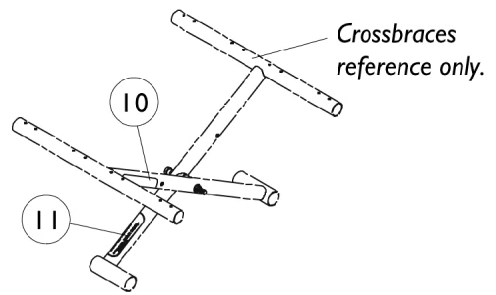
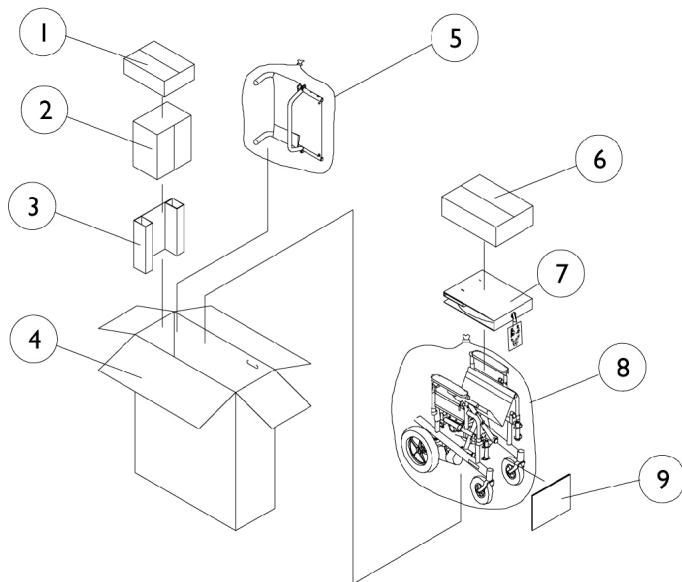
# Frame Finishes, Touch-Up Paints and Upholstery Colors

## Upholstery Colors

Vinyl Colors	Nylon Colors
U67 Black	U240 Black
U75 Dove Grey	
U85 Dark Blue	
U86 Ruby	
U97 Sky Blue	
U88 Camel	

# Packaging, Literature and Decals

**NOTE:** When adjusting or replacing parts, please refer to your Owner's Manual for assistance.



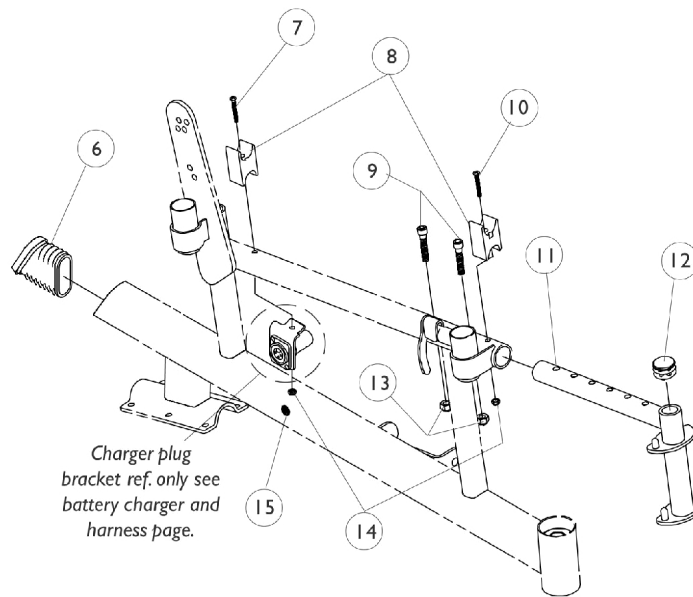
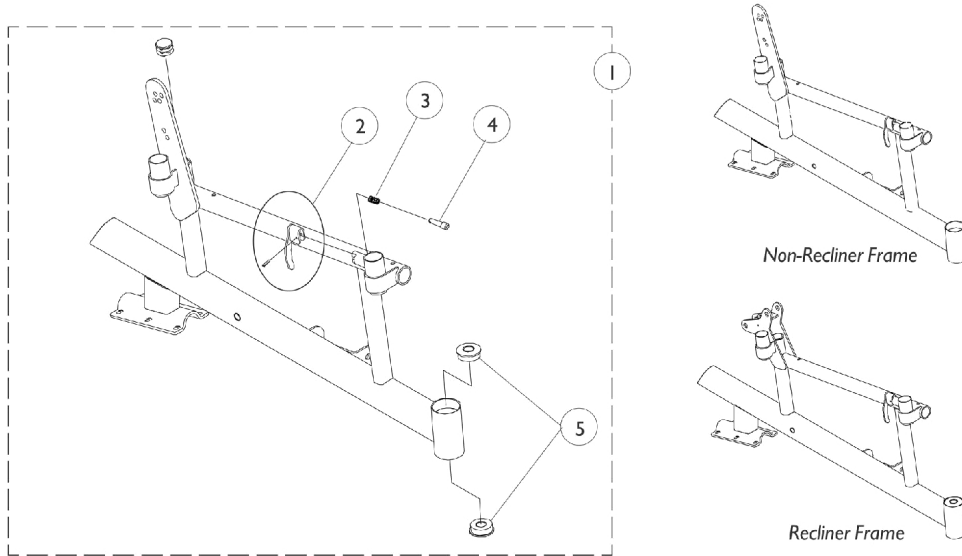
## Packaging, Literature and Decals

**NOTE: When adjusting or replacing parts, please refer to your Owner's Manual for assistance.**

Item Number	Note	Part Number	Description	Quantity Per	
				Package	Assembly
1		40131X148-NLA	NLA - Carton, Hardware	1	1
2		1023167-NLA	NLA - Carton, Battery Boxes	1	1
3		1023166-NLA	NLA - Insert	1	1
4		1074355-NLA	NLA - Carton	1	1
5		1015592	Bag, Poly (72" L x 35" W x 19" D)	1	1
6		40131X011-NLA	NLA - Carton, Front Riggings	1	1
7		1023165-NLA	NLA - Insert, Carton	1	1
8		1021866-NLA	NLA - Bag, Poly (26" L x 15" W)	1	1
9		40131X039-NLA	NLA - Insert, Carton	1	1
10		1035900	Decal, Transportation	1	1
11		1119281-NLA	NLA - Plate, Name, Patent Numbers	1	1
12	C	1090146-NLA	NLA - Decal, Invacare 3-D Logo (1-19/32" L)	1	2
13	B,C	1095224-NLA	NLA - Decal, Model, Black - Ranger II	1	2
13	C	1095225-NLA	NLA - Decal, Model, White - Ranger II	1	2
14		1097104-NLA	NLA - Decal - 250-S	1	2
	A	1028343	Operating Instructions, MKIV	1	1
	A,D	1095272-NLA	NLA - Instruction Manual, MKIV RII	1	1
	A	1058610-NLA	NLA - Owner's Manual	1	1

**NOTE:** A - Not Shown  
 B - Used for chairs with frame colors 02P, 29P, 30P and 84P only.  
 C - Invacare logo added and model decals changed 1/11/00. When replacing side frames before 1/11/00 order decals in pairs to match.  
 D - Item is no longer available from the Invacare Service Parts Department. Refer to the Invacare Website under "Product Literature Search". Enter the part number in the "Keywords" field and download a free PDF version copy.

# Side Frames and Hardware (Before 10/1/00)



# Side Frames and Hardware (Before 10/1/00)

## Item #1 - Side Frames and Hardware

Frame Type	Non-Recliner	Recliner
Adult - Right	8881058593-NLA See Note(s) A, B	8881062457-NLA See Note(s) A, B
Adult - Left	8881058594-NLA See Note(s) A, B	8881062458-NLA See Note(s) A, B
Hemi - Right	8881058599-NLA See Note(s) B, A	8881062459-NLA See Note(s) B, A
Hemi - Left	8881058600-NLA See Note(s) A, B	8881062460-NLA See Note(s) A, B

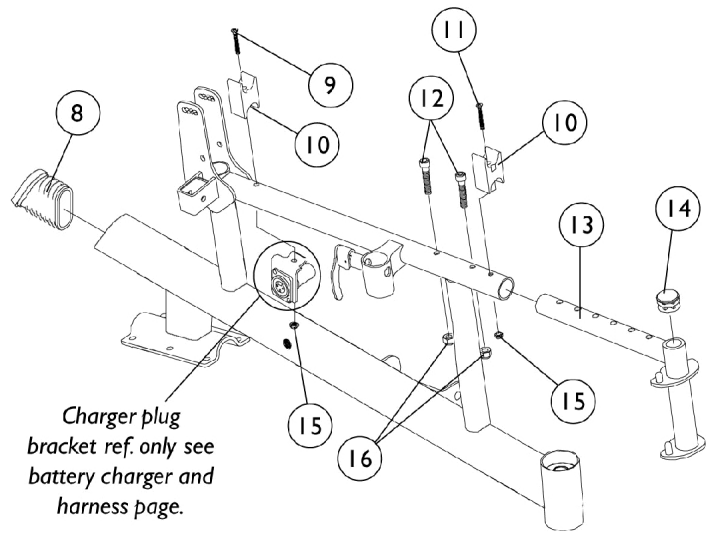
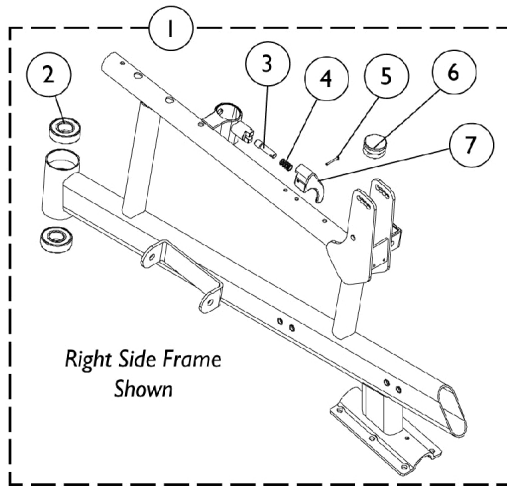
NOTE: A - Specify frame finish when ordering. See page titled "Frame Finishes, Touch-Up Paints and Upholstery Colors."  
B - Decals not included with frame. See page titled "Packaging, Literature and Decals."

Item Number	Note	Part Number	Description	Quantity Per	
				Package	Assembly
1		See Chart	Item #1 - Side Frames and Hardware	1	1
2		1090768	Kit, Lock Handle w/Rivets (Pair)	2	1
3		47471X074	Spring, Arm Lock	1	1
4		1028594	Pin, Arm Lock, Black	1	1
5		40117X006	Bearing (5/8")	1	2
6		1059371-NLA	NLA - Cap, End, Oval	1	1
7	A	1085124-NLA	NLA - Screw, Socket Flat Head (#10-32 x 1-3/4")	1	1
8		1007541	Clamp, Seat	1	2
9		1003545	Screw, Socket Head (1/4-20 x 1-1/4")	1	2
10	A	1085134-NLA	NLA - Screw, Socket Flat Head (#10-32 x 1-5/8")	1	1
11		1060099-NLA	NLA - Hanger, Front Rigging, Black - Right	1	1
11		1060100-NLA	NLA - Hanger, Front Rigging, Black - Left	1	1
12		1027097	Plug Button, Black (3/4")	1	1
13		1025736	Locknut (1/4-20)	1	2
14		1025731	Locknut (#10-32)	1	2
15		1058520-NLA	NLA - Fastener, Panel Snap-In	1	1

NOTE: A - Screws changed 9/16/99 and serve as a direct replacement for chairs manufactured before 9/16/99.



# Side Frames and Hardware (After 9/30/00)



# Side Frames and Hardware (After 9/30/00)

## Item # 1 - Side Frames and Hardware

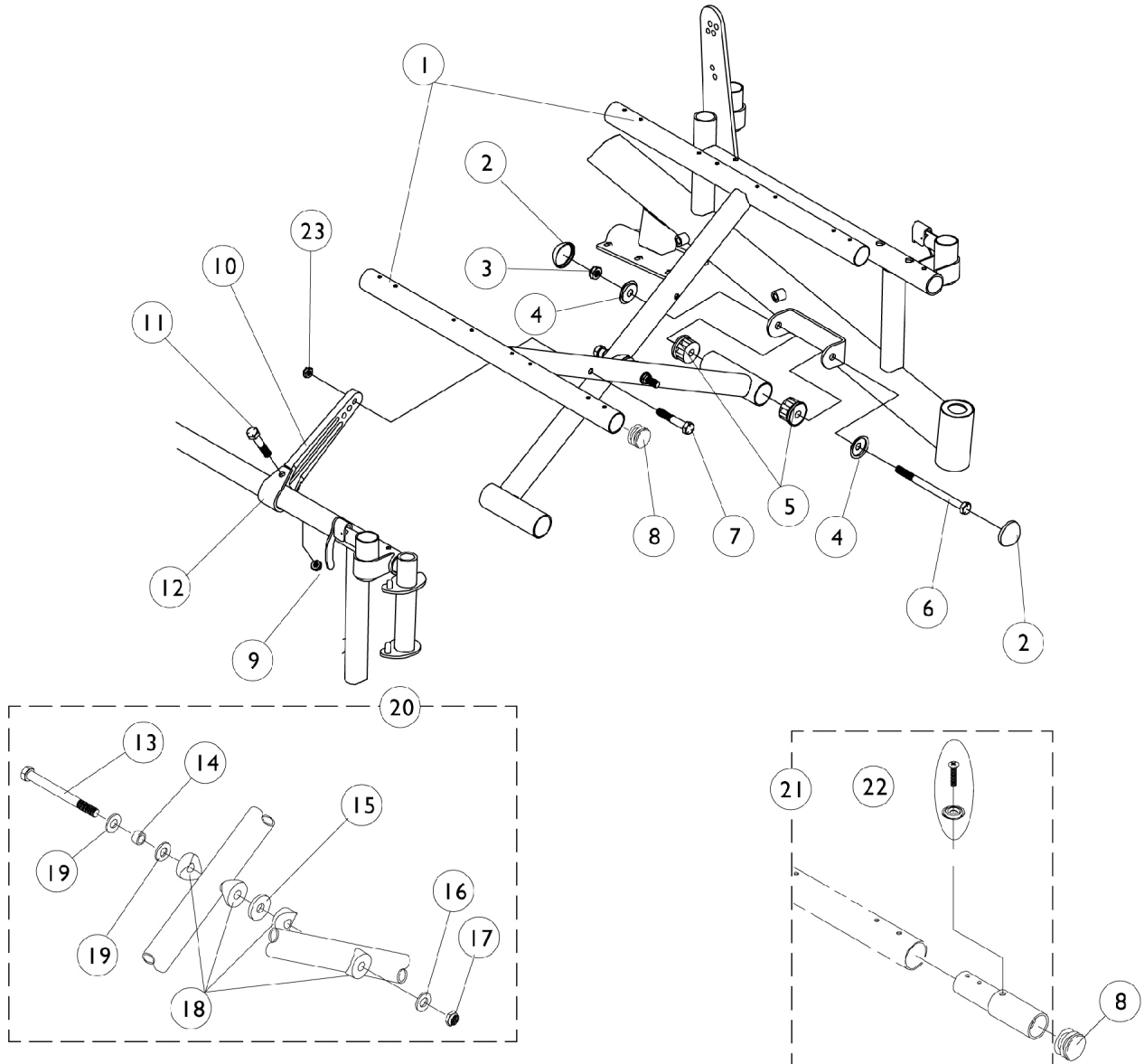
Frame Type	Non-Recliner	Recliner
Adult - Right	8881101699-NLA See Note(s) B, A	8881062457-NLA See Note(s) B, A
Adult - Left	8881101700 See Note(s) A, B	8881062458-NLA See Note(s) B, A
Hemi - Right	8881101701 See Note(s) B, A	8881062459-NLA See Note(s) B, A
Hemi - Left	8881101702 See Note(s) A, B	8881062460-NLA See Note(s) A, B

NOTE: A - Specify frame finish when ordering. See page titled "Frame Finishes, Touch-Up Paints and Upholstery Colors."  
B - Decals not included with frame. See page titled "Packaging, Literature and Decals."

Item Number	Note	Part Number	Description	Quantity Per	
				Package	Assembly
1	A	See Chart	Item # 1 Side Frames and Hardware	1	1
2		40117X006	Bearing (5/8")	1	2
3		1028594	Pin, Arm Lock, Black	1	1
4		47471X074	Spring, Arm Lock	1	1
5		1089723	Rivet, Tubular	1	1
6		1029501	Plug Button, Black (1")	1	1
7		1090768	Kit, Lock Handle w/Rivets (Pair)	2	1
8		1059371-NLA	NLA - Cap, End, Oval	1	1
9		1085124-NLA	NLA - Screw, Socket Flat Head (#10-32 x 1-3/4")	1	2
10		1007541	Clamp, Seat	1	2
11		1085134-NLA	NLA - Screw, Socket Flat Head (#10-32 x 1-5/8")	1	2
12		1003545	Screw, Socket Head (1/4-20 x 1-1/4")	1	2
13		1060099-NLA	NLA - Hanger, Front Rigging, Black - Right	1	1
13		1060100-NLA	NLA - Hanger, Front Rigging, Black - Left	1	1
14		1027097	Plug Button, Black (3/4")	1	1
15		1025731	Locknut (#10-32)	1	2
16		1025736	Locknut (1/4-20)	1	2

NOTE: A - Includes items 2-7

# Crossbraces and Seat Extensions



## Crossbraces and Seat Extensions

Item Number	Note	Part Number	Description	Quantity Per	
				Package	Assembly
1		See Chart	Item #1 - Crossbraces	1	2
2		1028835-NLA	NLA - Cap, Hub, Black	1	4
3		60264X001	Locknut (5/16-24)	1	1
4		1028491-NLA	NLA - Washer, Caplugs (11/32" I.D. x 1" O.D.)	1	4
5		1056708-NLA	NLA - Plug, Pivot Tube	1	4
6		1038179-NLA	NLA - Screw, Hex Head (5/16-24 x 4-1/4")	1	2
7		1024793-NLA	NLA - Screw, Hex Head (1/4-20 x 1-3/4")	1	2
8		1029501	Plug Button, Black (1")	1	4
9		1025195	Locknut (1/4-20)	1	1
10		1057381-NLA	NLA - Link, Pivot, Hemi, Black (14 - 15" W)	1	2
10		1057382-NLA	NLA - Link, Pivot, Hemi, Black (16 - 18" W)	1	2
10		1057383-NLA	NLA - Link, Pivot, Hemi, Black (19 - 20" W)	1	2
10		1057384-NLA	NLA - Link, Pivot, Adult, Black (14 - 15" W)	1	2
10		1057385-NLA	NLA - Link, Pivot, Adult, Black (16 - 18" W)	1	2
10		1057386-NLA	NLA - Link, Pivot, Adult, Black (19 - 20" W)	1	2
11		1030949	Screw, Hex Head (1/4-20 x 1-1/2")	1	2
12		1057828-NLA	NLA - Strap, Pivot Link	1	2
13		1098625	Screw, Hex Head (5/16-24 x 3-1/2")	1	1
14		1037913-NLA	NLA - Bushing (5/16 x 7/16 x 9/32")	1	1
15		1016301	Washer, Nylon (5/16 x 7/8 x 1/8")	1	1
16		1025704	Washer, Flat (5/16 x 5/8 x 1/16")	1	1
17		1025730	Locknut (5/16-24)	1	1
18		1016263	Spacer, Coved (3/4 x 1 x 1/2")	1	4
19		16308X000	Washer, Flat (5/16 x 11/16 x 1/16")	1	2
20		1057832-NLA	NLA - Hardware, Crossbrace	1	1
21		See Chart	Item #21 Seat Extension Kit (Pair)	2	1
22		1076284	Screw w/ Washer (#10 x 7/8")	1	2
22		40163X003-NLA	NLA - Screw, Phillips Pan Head (#10 X 5/8")	1	2
23		1025736	Locknut (1/4-20)	1	1
	A,B	1057830-NLA	NLA - Hardware, Crossbrace Pivot Tube	1	1

NOTE: A - Includes Items 2-6  
B - Not Shown

# Crossbraces and Seat Extensions

## Item #1 - Crossbraces

Crossbrace Type	14" Wide	16" Wide	18" Wide	20" Wide
Hemi	1064405-NLA See Note(s) A	1071545-NLA See Note(s) A	1071546-NLA See Note(s) A	1071547-NLA See Note(s) A
Adult	1064409-NLA See Note(s) A, B	1064410-NLA See Note(s) B, A	1064411-NLA See Note(s) B, A	1064412-NLA See Note(s) B, A

NOTE: A - Decals are not included with Crossbraces. See page titled "Packaging, Literature and Decals."  
 B - These Crossbraces are No Longer Available on Storm RII Series wheelchair.

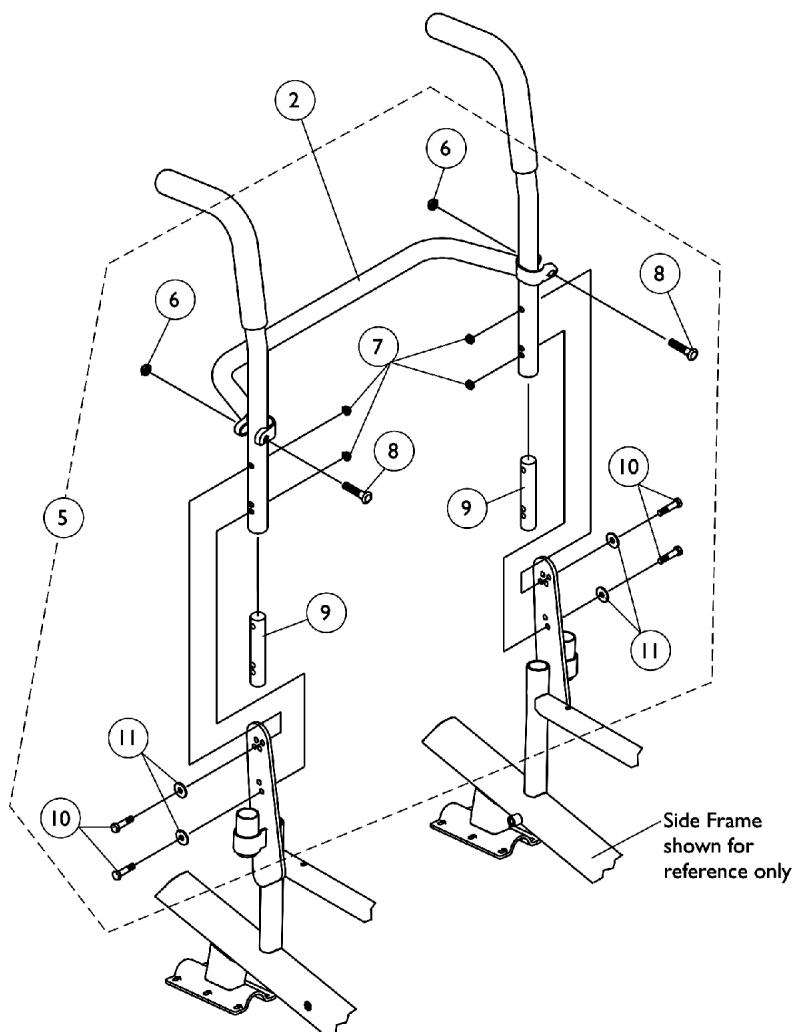
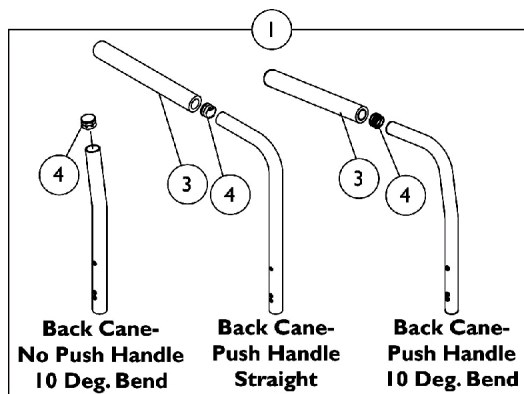
NOTE: When replacing crossbraces for chairs built before 6/18/99 using seat extensions, a new seat extension kit must be ordered.

## Item #21 Seat Extension Kit (Pair)

Seat Extension Type (Pair) Includes Hardware	Part Number
1"	1058616-NLA
2"	1058617-NLA See Note(s) A

NOTE: A - No Longer Available for the Storm Ranger II Series wheelchair

# Back Canes and Attaching Hardware (Before 10/1/00)



## Back Canes and Attaching Hardware (Before 10/1/00)

Item Number	Note	Part Number	Description	Quantity Per	
				Package	Assembly
1		See Chart	#1 Back Cane Assemblies	1	2
2		See Chart	#2 Spreader Bar	1	1
3		1135506	Package, Foam Hand Grip (9" L)	10	1
4		1130582	Package, Plug Button, Black (7/8")	10	1
5	A	1059389	Kit, Back Cane Attaching Hardware	2	1
6			Locknut (5/16-24)	1	2
7			Locknut (1/4-20)	1	4
8			Screw w/ Lug (5/16-24 x 1-3/8")	1	2
9			Insert, Non-Threaded Back Cane (For Back Heights 20" and Lower)	1	2
10			Screw, Hex Head (1/4-20 x 1-1/2")	1	4
11			Washer (1/4 x 23/32 x 1/16")	1	4

NOTE: A - Includes Items 6-11

# Back Canes and Attaching Hardware (Before 10/1/00)

## #1 Back Cane Assemblies

Back Height	Back Cane- No Push Handle 10 Deg. Bend	Back Cane- Push Handle Straight	Back Cane- Push Handle 10 Deg. Bend
16"	1048992-NLA	1048558	1045575
17"	1048993-NLA	1048559	1045576
18"	1048994-NLA	1048560	1045577
19"	1048995-NLA	1048561	1045578
20"	1048996-NLA	1048562	1045579-NLA

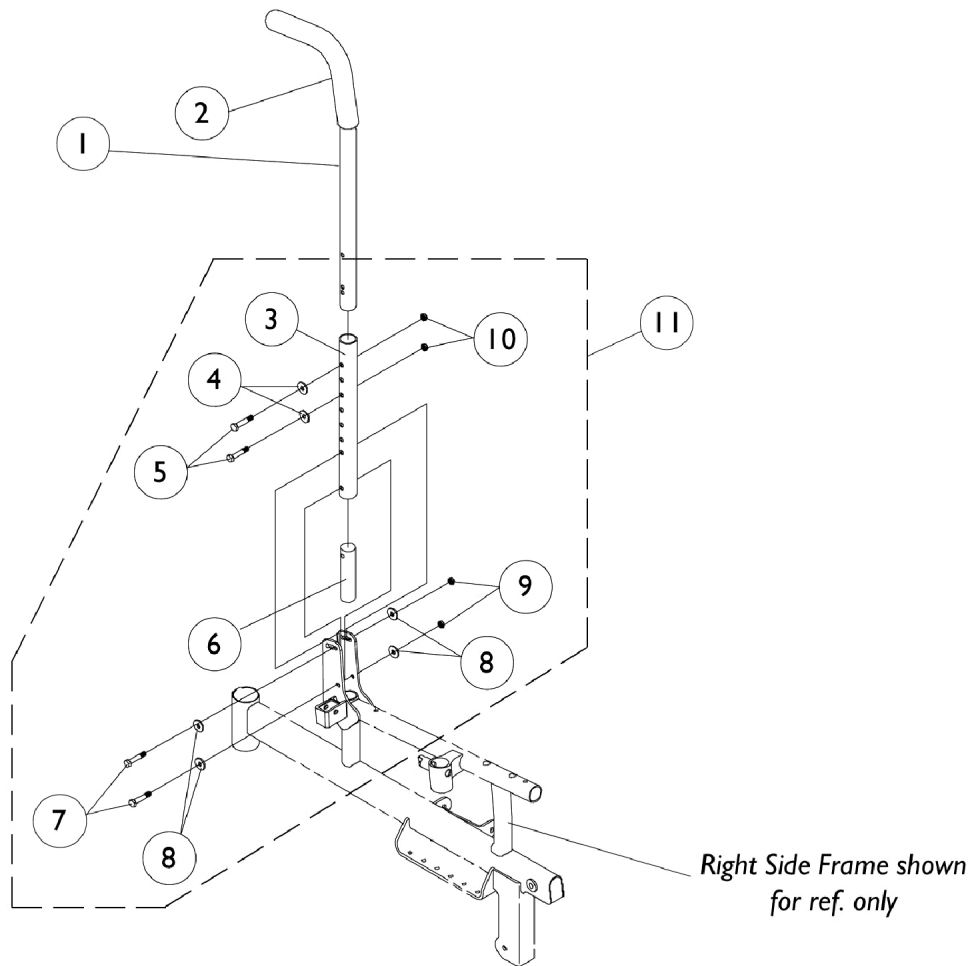
NOTE: Back Cane Assemblies include Foam Grips and Plug Buttons where shown

## #2 Spreader Bar

Chair Width	Part Number
14"	1043871-NLA
16"	1043873
18"	1043875
20"	1043877



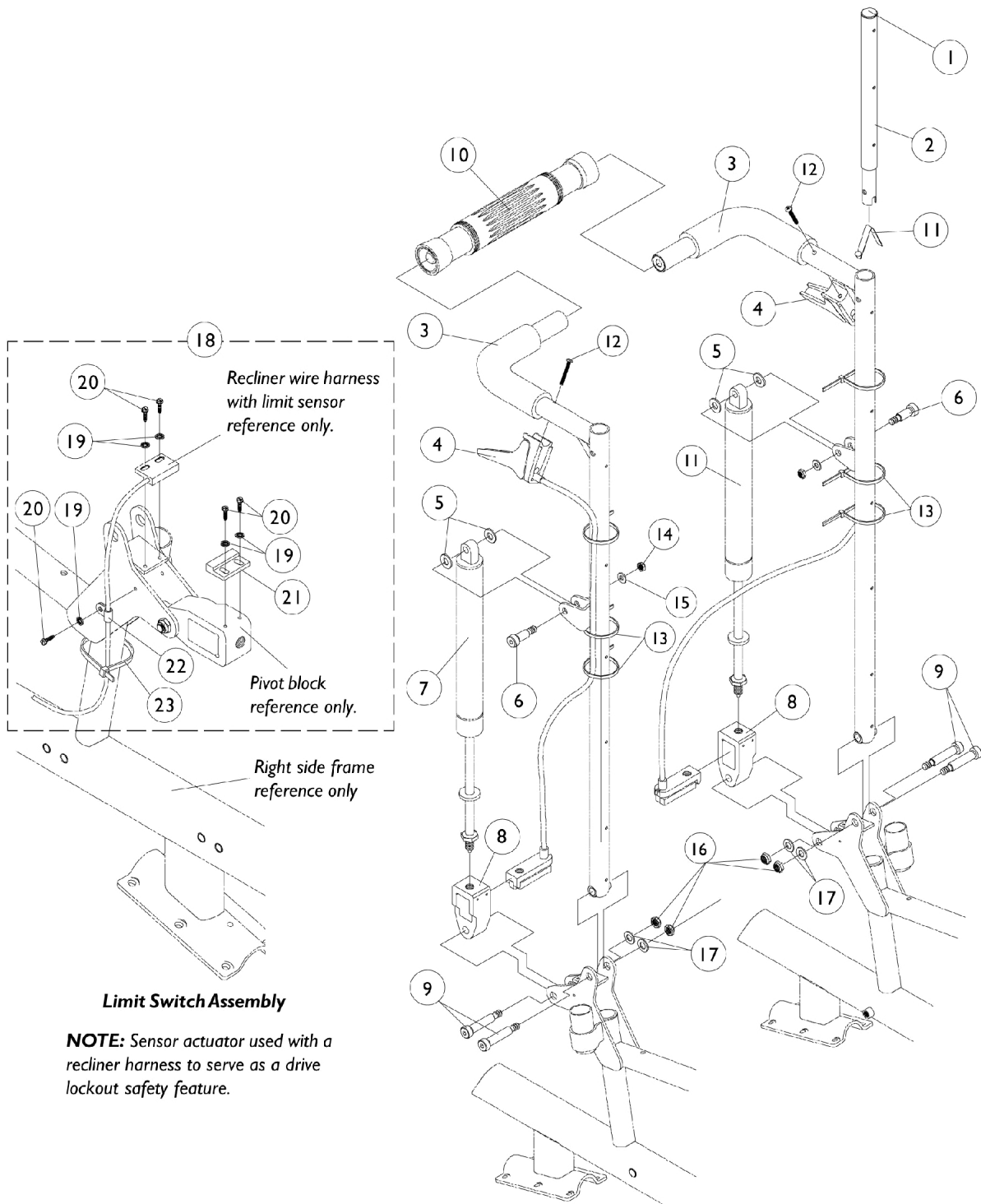
# Back Canes and Attaching Hardware (After 9/30/00)



Item Number	Note	Part Number	Description	Quantity Per	
				Package	Assembly
1		1028372	Back Cane Assembly, 10 Degree Bend	1	2
1		1042402-NLA	NLA - Back Cane Assembly, Straight	1	2
2		1006229	Grip, Foam (8")	1	2
3		1071565-NLA	NLA - Tube, Rear Upright, Black	1	2
4		1026907	Washer (1/4 x 1/2 x 1/16")	1	4
5		1057955	Screw, Hex Head (1/4-20 x 1-1/4")	1	4
6		1071488-NLA	NLA - Insert, Threaded	1	2
7		1055348	Screw, Hex Head (1/4-28 x 1-3/4")	1	4
8		1026900	Washer (1/4 x 23/32 x 1/16")	1	8
9		1065362	Locknut (1/4-28)	1	1
10		1025195	Locknut (1/4-20)	1	1
11	A	1071564-NLA	NLA - Hardware, Back Cane Attaching (Pair)	2	1

NOTE: A - Includes Items 3-10

# Recliner Back Assembly



# Recliner Back Assembly

## Item #3 - Back Cane with Grip

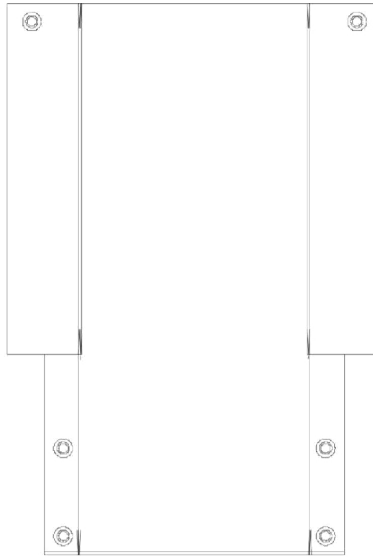
Back Height	14" W Right	14" W Left	16" W Right	16" W Left	18 - 20" W Right	18 - 20" W Left
18" H	1053272-NLA	1053273-NLA	1052079	1052080	1052089	1052090
20" H	1053274-NLA	1053275-NLA	1052081	1052082	1052091	1052092
22" H	1053276-NLA	1053277-NLA	1052083	1052084	1052093	1052094
24" H	1053278-NLA	1053279-NLA	1052085	1052086	1052095	1052096
26" H	1053280-NLA	1053281-NLA	1052087	1052088	1052097	1052098

## Recliner Back Assembly

Item Number	Note	Part Number	Description	Quantity Per	
				Package	Assembly
1		1027095	Plug Button, Black (7/8")	1	2
2		1052997-NLA	NLA - Headrest Tube Assembly, Black - Right	1	1
2		1052998-NLA	NLA - Headrest Tube Assembly, Black - Left	1	1
3		See Chart	Item #3 - Back Cane with Grip	1	1
4	B,F	1050214	Cable with Trigger	1	2
4	B,G	1050215	Cable with Trigger	1	2
4	B,H	1050216	Cable with Trigger	1	2
5		1026032	Washer, Nylon (11/32 x 11/16 x 1/16")	1	4
6		1050153	Screw, Shoulder Hex Socket Head (5/16 x 7/8", 1/4-20)	1	2
7	D	1050154	Cylinder, Lock, Recline	1	2
7	E	1050306	Cylinder, Lock	1	2
8		1050136	Pivot, Block	1	2
9		1062604	Screw, Shoulder Hex Socket (3/8 x 1-1/4", 5/16-18)	1	4
10		1050293	Bar, Spreader, Black (14-20" W)	1	1
11		1024713	Spring, Torsion w/ Button	1	2
12		1025714	Screw, Phillips Pan Head (#10-32 x 1-1/8")	1	1
12	C	1091417-NLA	NLA - Screw, Phillips Pan Head (#10-24 x 1-1/4")	1	2
13		1021260	Tie Wrap (5-5/8" L)	1	6
14		1025736	Locknut (1/4-20)	1	1
15		1026907	Washer (1/4 x 1/2 x 1/16")	1	2
16		1026158	Locknut (5/16-18)	1	4
17		1025704	Washer, Flat (5/16 x 5/8 x 1/16")	1	4
18	A	1062774-NLA	NLA - Switch, Limit, Assembly	1	1
19		1008525-NLA	NLA - Washer, Internal Tooth Lock (#4-40)	1	5
20		1025116-NLA	NLA - Screw, Slotted Hex Washer Head Tap (#4-3/8")	1	5
21		1024001	Sensor, Actuator Switch	1	1
22		1050310-NLA	NLA - Clamp, Cable	1	1
23		1021260	Tie Wrap (5-5/8" L)	1	1

NOTE: A - Includes Items 19-23  
 B - When ordering cable assembly #1050215 or #1050216 for chairs made before 8/4/99 or #1050214 for chairs made before 2/1/00, item 12 #1091417 must be ordered as well.  
 C - Lever fastener changed 8/4/99 from a "10-32 threaded insert" to a "10-24 tinnerman nut" for item 4 #1050215 and #1050216 and 2/1/00 for #1050214.  
 D - Ranger II Basic - Standard 250 lb. maximum capacity.  
 E - Ranger II Standard - Heavy Duty 300 lb. maximum capacity.  
 F - 26" High Canes  
 G - 22-24" High Canes  
 H - 18 and 20" High Canes

# Non-Recliner Back Upholstery (Before 10/01/00)



## Back Upholstery Single Liners & Dual Liners Nylon/Vinyl Single Liners

Chair Width	Nylon 16-17" Height	Nylon 18-20" Height	Vinyl 16-17" Height See Note(s) A	Vinyl 18-20" Height See Note(s) A
14" Wide	1045173	1045205	8881045076-NLA See Note(s) A	8881045060-NLA See Note(s) A
16" Wide	1045175	1045207	8881045078-NLA See Note(s) A	8881045062-NLA See Note(s) A
18" Wide	1045177	1045209	8881045080-NLA See Note(s) A	8881045064-NLA See Note(s) A

NOTE: A - Specify upholstery color when ordering. See page titled "Frame Finishes, Touch-Up Paints and Upholstery Colors."

# Non-Recliner Back Upholstery (Before 10/01/00)

## Dual Liners

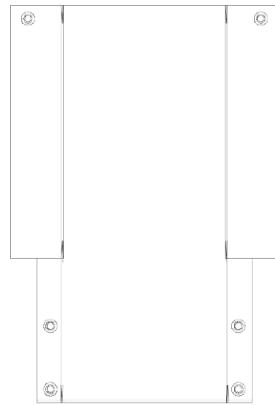
Chair Width	Nylon 16-17" Height	Nylon 18-20" Height	Vinyl 16-17" Height See Note(s) A	Vinyl 18-20" Height See Note(s) A
14" Wide	1045178	1045210	8881045081-NLA See Note(s) A	8881045065-NLA See Note(s) A
16" Wide	1045180	1045212	8881045083-NLA See Note(s) A	8881045067-NLA See Note(s) A
18" Wide	1045182	1045214	8881045085-NLA See Note(s) A	8881045069-NLA See Note(s) A
20" Wide	1045184	1045216	8881045087-NLA See Note(s) A	8881045071-NLA See Note(s) A

NOTE: A - Specify upholstery color when ordering. See page titled "Frame Finishes, Touch-Up Paints and Upholstery Colors."  
NOTE: Dual line back upholstery is used with chairs that have a seat deeper than 17" or back wider than 18."

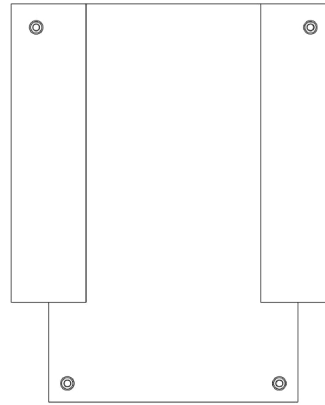
## Back Upholstery Hardware

Part Number
1029850
Consists of: (2) each Screws with Washers (#10 x 7/8") and (2) each Cable Ties.

## Upholstery, Back Non-Recliner (After 9/30/00)



Back Upholstery  
Nylon



Back Upholstery  
Vinyl

Chair Width	Nylon 16-20" Height	Vinyl 16-20" Height
14" Wide	1060611-NLA	8881058352-NLA  See Note(s) A
16" Wide	1060612	8881058353-NLA  See Note(s) A
18" Wide	1060613	8881058354-NLA  See Note(s) A
20" Wide	1060614	8881058355-NLA  See Note(s) A

NOTE: A - Specify upholstery color when ordering. See page titled "Frame Finishes, Touch-Up Paints and Upholstery Colors."

# Upholstery, Back Non-Recliner (After 9/30/00)

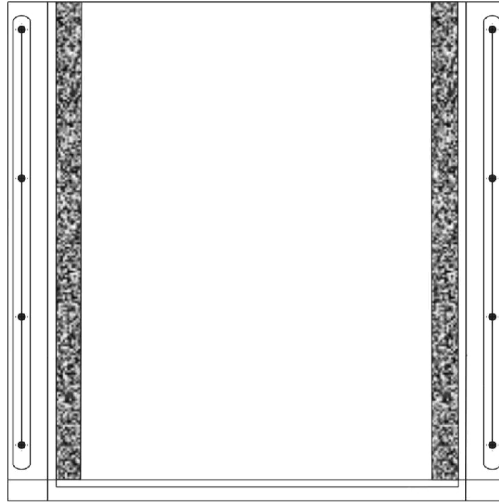
## Back Upholstery Hardware

Part Number
1029850
Consists of: (2) each Screws with Washers (#10 x 7/8") and (2) each Cable Ties.



# Seat Upholstery

**NOTE: Nylon Seat Upholstery is No Longer Available for Storm Ranger II Series wheelchair.**



Seat Upholstery  
Nylon/Vinyl

**Vinyl**

Chair Width	16" D	17" D	18" D
14" W	8881024417-NLA See Note(s) A	8881024418-NLA See Note(s) A	8881024419-NLA See Note(s) A
16" W	8881024423-NLA See Note(s) A	8881024424-NLA See Note(s) A	8881024134-NLA See Note(s) A
18" W	8881024132-NLA See Note(s) A	8881024137-NLA See Note(s) A	8881024138-NLA See Note(s) A
20" W	8881024129-NLA See Note(s) A	8881024141-NLA See Note(s) A	8881024142-NLA See Note(s) A

NOTE: A - Specify upholstery color when ordering. See page titled "Frame Finishes, Touch-Up Paints and Upholstery."

# Seat Upholstery

**NOTE: Nylon Seat Upholstery is No Longer Available for Storm Ranger II Series wheelchair.**

## Seat Upholstery Hardware

Part Number
1027057-NLA
Consists of: (8) each Screws with Washers (#10 x 7/8")

# Recliner Back, Headrests and Pillow Upholstery

## Recliner Back Upholstery

### Nylon - Single Liners

Chair Width	18" H	20" H	22" H	24" H	26" H
14" W	1050312-NLA	1050317-NLA	1050322-NLA	1050327-NLA	1050332-NLA
16" W	1050314	1050319	1050324	1050329	1050334
18" W	1050316	1050321	1050326	1050331	1050336

## Recliner Back Upholstery

### Nylon - Dual Liners

Chair Width	18" H	20" H	22" H	24" H	26" H
14" W	1050337-NLA See Note(s) A	1050348-NLA See Note(s) A	1050359-NLA See Note(s) A	1050370-NLA See Note(s) A	1050381-NLA See Note(s) A
16" W	1050339 See Note(s) A	1050350 See Note(s) A	1050361 See Note(s) A	1050372 See Note(s) A	1050383 See Note(s) A
18" W	1050341 See Note(s) A	1050352 See Note(s) A	1050363 See Note(s) A	1050374 See Note(s) A	1050385 See Note(s) A
20" W	1050343 See Note(s) A	1050354 See Note(s) A	1050365 See Note(s) A	1050376 See Note(s) A	1050387 See Note(s) A

NOTE: A - Dual liner back upholstery is used with chairs that have a seat deeper than 17" or back wider than 18."

## Headrest

### Nylon

14" W	16" W	18" W	20" W
1054627	1054628-NLA	1054629-NLA	1055283-NLA

## Pillows

### Nylon

14" W	16 - 18" W	20" W
1054894	1054896	8881058104-NLA

# Recliner Back, Headrests and Pillow Upholstery

## Nylon Upholstery Hardware

Back Upholstery Hardware	Headrest Upholstery Hardware
1027059	1030441
Part Consists of: (10) each Screw with Washer (#10 x 7/8")	Part Consists of: (6) each Screw with Washer (#10 x 7/8")

## Recliner Back Upholstery

### Vinyl - Single Liners

Chair Width	18" H	20" H	22" H	24" H	26" H
14" W	8881050561-NLA See Note(s) A	8881050566-NLA See Note(s) A	8881050571-NLA See Note(s) A	8881050576-NLA See Note(s) A	8881050581-NLA See Note(s) A
16" W	8881050563-NLA See Note(s) A	8881050568-NLA See Note(s) A	8881050573-NLA See Note(s) A	8881050578-NLA See Note(s) A	8881050583-NLA See Note(s) A
18" W	8881050565-NLA See Note(s) A	8881050570-NLA See Note(s) A	8881050575-NLA See Note(s) A	8881050580-NLA See Note(s) A	8881050585-NLA See Note(s) A

NOTE: A - Specify upholstery color when ordering. See page titled "Frame Finishes, Touch-Up Paints and Upholstery."

## Recliner Back Upholstery

### Vinyl - Dual Liners

Chair Width	18" H	20" H	22" H	24" H	26" H
14" W	8881050586-NLA See Note(s) B, A	8881050597-NLA See Note(s) B, A	8881050608-NLA See Note(s) B, A	8881050619-NLA See Note(s) B, A	8881050630-NLA See Note(s) B, A
16" W	8881050588-NLA See Note(s) B, A	8881050599-NLA See Note(s) B, A	8881050610-NLA See Note(s) B, A	8881050621-NLA See Note(s) B, A	8881050632-NLA See Note(s) B, A
18" W	8881050590-NLA See Note(s) B, A	8881050601-NLA See Note(s) B, A	8881050612-NLA See Note(s) B, A	8881050623-NLA See Note(s) B, A	8881050634-NLA See Note(s) B, A
20" W	8881050592-NLA See Note(s) B, A	8881050603-NLA See Note(s) B, A	8881050614-NLA See Note(s) B, A	8881050625-NLA See Note(s) B, A	8881050636-NLA See Note(s) B, A

NOTE: A - Specify upholstery color when ordering. See page titled "Frame Finishes, Touch-Up Paints and Upholstery."  
B - Dual liner back upholstery is used with chairs that have a seat deeper than 17" or back wider than 18."

# Recliner Back, Headrests and Pillow Upholstery

## Headrest

### Vinyl

14" W	16" W	18" W	20" W
8881054630-NLA See Note(s) A	8881054631 See Note(s) A	8881054632-NLA See Note(s) A	8881055291-NLA See Note(s) A
NOTE: A - Specify upholstery color when ordering. See page titled "Frame Finishes, Touch-Up Paints and Upholstery."			

## Pillow

### Vinyl

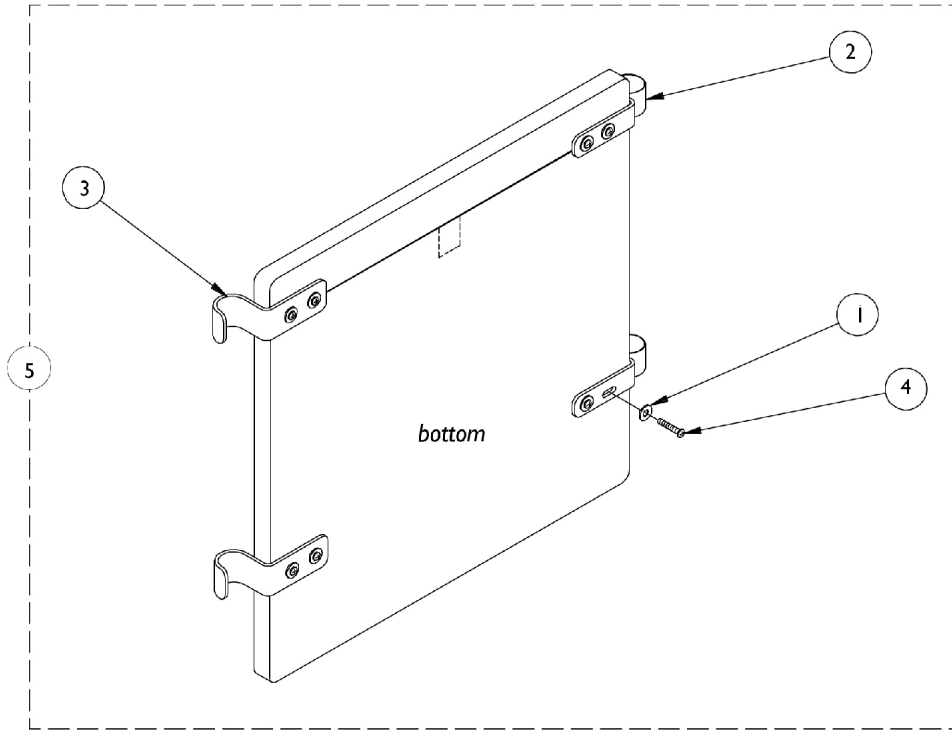
14" W	16 - 18" W	20" W
8881054617-NLA See Note(s) A	8881054619-NLA See Note(s) A	8881058107 See Note(s) A
NOTE: A - Specify upholstery color when ordering. See page titled "Frame Finishes, Touch-Up Paints and Upholstery."		

## Vinyl Upholstery Hardware

Back Upholstery Hardware	Headrest Upholstery Hardware
1027059	1031095
Part consists of: (10) each Screw with Washer (#10 x 7/8")	Part consists of: (4) each Screw with Washer (#10 x 7/8")

# Solid Folding Seats

**NOTE:** Solid Folding Seats measure two inches narrower than actual seat width.



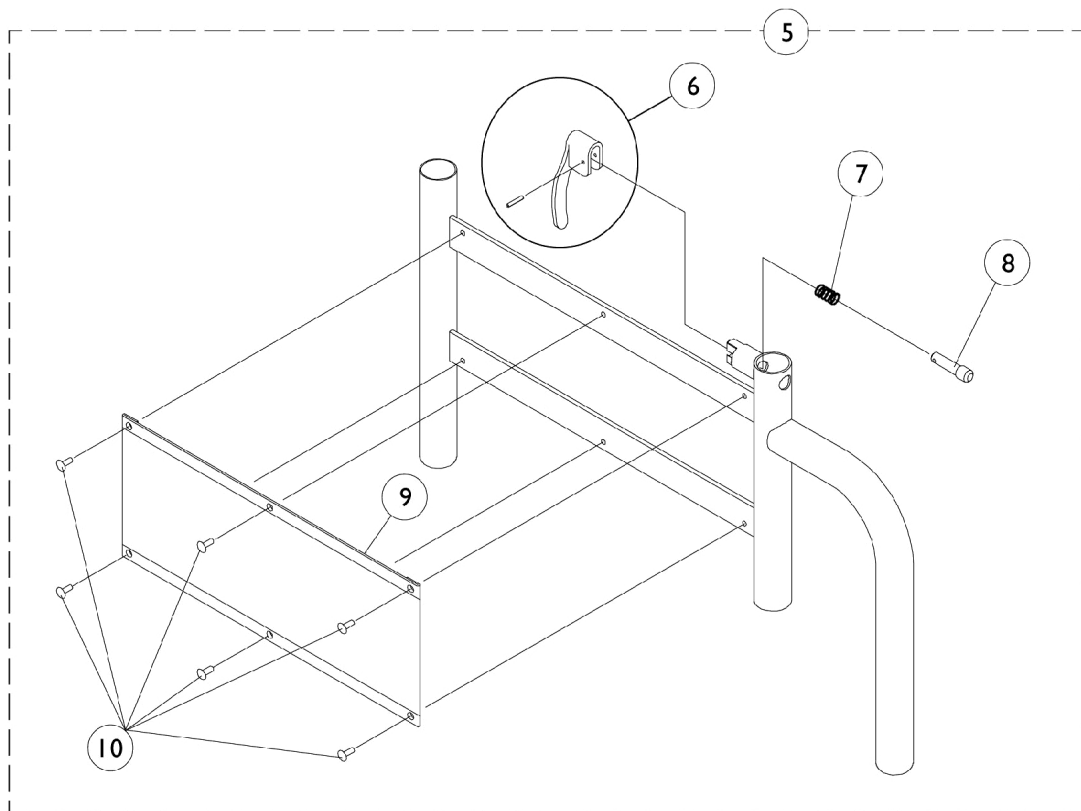
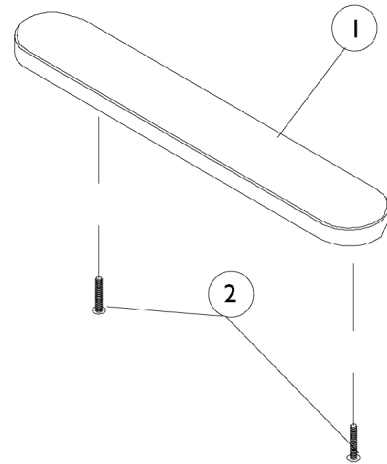
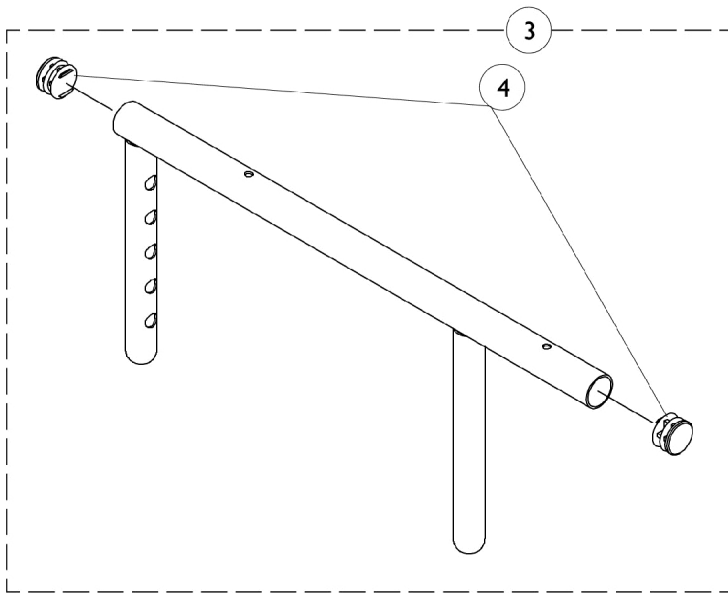
## Solid Folding Seats

**NOTE: Solid Folding Seats measure two inches narrower than actual seat width.**

Item Number	Note	Part Number	Description	Quantity Per	
				Package	Assembly
1		1013218	Washer (#10 Flat)	1	8
2		1016770-NLA	NLA - Bracket, Seat, Chrome	1	2
3		1016771-NLA	NLA - Hook, Seat	1	2
4		40163X008	Screw, Phillips Pan Head (#10-32 x 11/16")	1	1
5	A	8881035937	Solid Folding Seat w/ Hardware, Vinyl (14" W x 16" D)	1	1
5	A	8881110378-NL A	NLA - Solid Folding Seat w/ Hardware, Vinyl (16" W x 16" D)	1	1
5	A	8881110379	Solid Folding Seat w/ Hardware, Vinyl (18" W x 16" D)	1	1
5	A	8881110372	Solid Folding Seat w/ Hardware, Nylon (20" W x 16" D)	1	1
5	A	8881035936	Solid Folding Seat w/ Hardware, Nylon (20" W x 18" D)	1	1

**NOTE:** A - Specify upholstery color when ordering. See page titled "Frame Finishes, Touch-Up Paints and Upholstery Colors."

# Adjustable Height, Removable Arms Non-Reclining (Before 10/1/00 and All Recliners)

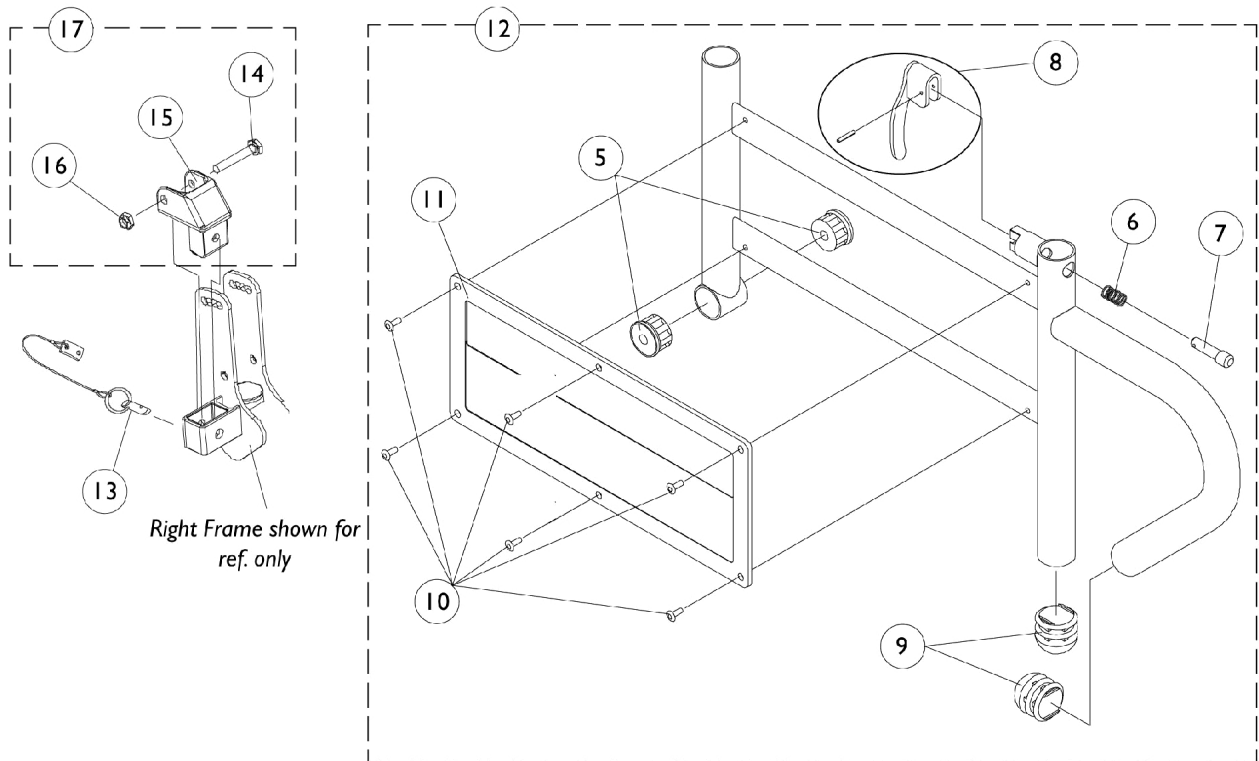
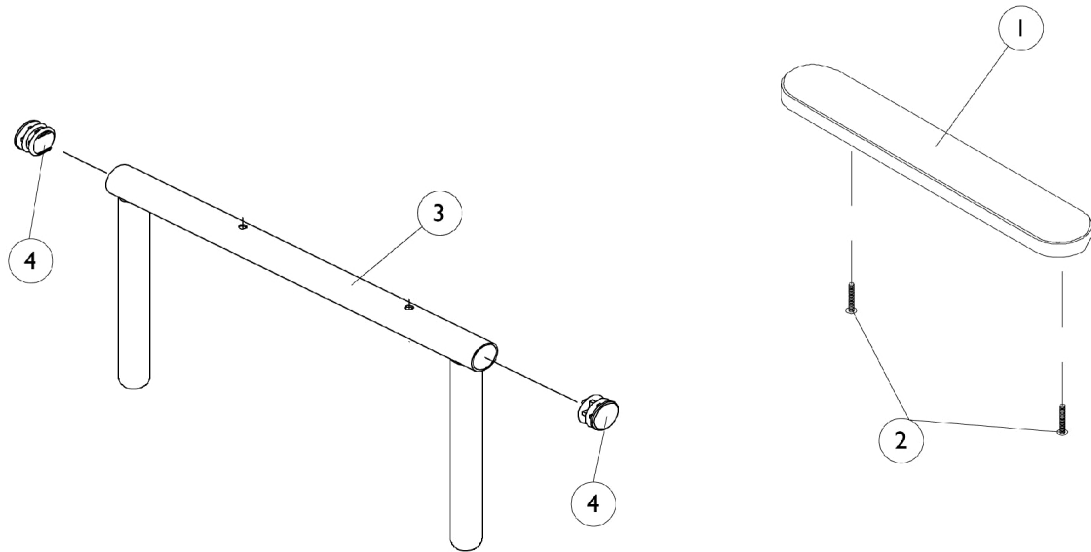




## Adjustable Height, Removable Arms Non-Reclining (Before 10/1/00 and All Recliners)

Item Number	Note	Part Number	Description	Quantity Per	
				Package	Assembly
1	A	8881015932-NL A	NLA - Pad, Arm, Vinyl, Full Length - Right (14" L x 2" W)	1	1
1	A	8881015933-NL A	NLA - Pad, Arm, Vinyl, Full Length - Left (14" L x 2" W)	1	1
1	A	8881011811-NL A	NLA - Pad, Arm, Vinyl, Desk Length (9" L x 2" W)	1	1
2		1055949	Package, Screw, Phillips Pan Head (#10-32 x 1-3/8")	2	1
3		1041522	Arm Tube Assembly w/ Plug Buttons, Full Length, Black - Right/Left	1	1
3		1070859	Arm Tube Assembly w/ Plug Buttons, Desk Length, Black - Right/Left	1	1
3		1057736-NLA	NLA - Tube, Arm, Upper with Plug Buttons, Chrome, Full Length	1	1
3		1057734	Tube, Arm, Upper with Plug Buttons, Black, Desk Length	1	1
4		1027095	Plug Button, Black (7/8")	1	2
5	B,C	8881057741-NL A	NLA - Arm Base, Adjustable Height, Color - Right	1	1
5	B,C	8881057742-NL A	NLA - Arm Base, Adjustable Height, Color - Left	1	1
5	C	1057743-NLA	NLA - Arm Base, Adjustable Height, Chrome - Right	1	1
5	C	1057744-NLA	NLA - Arm Base, Adjustable Height, Chrome - Left	1	1
6		1090768	Kit, Lock Handle w/Rivets (Pair)	2	1
7		47471X074	Spring, Arm Lock	1	1
8		1028594	Pin, Arm Lock, Black	1	1
9	C	1064130-NLA	NLA - Guard, Clothing	1	1
10		1028645	Rivet	1	6
<p>NOTE: A - Specify upholstery color when ordering. See page titled "Frame Finishes, Touch-Up Paints and Upholstery Colors."            B - Specify frame finish when ordering. See page titled "Frame Finishes, Touch-Up Paints and Upholstery Colors."            C - Stainless steel clothing guards were replaced with ABS plastic. Chairs manufactured before 7/30/97 should be ordered in pairs.</p>					

# Adjustable Height Removable Arms Non-Reclining (After 9/30/00)



## Adjustable Height Removable Arms Non-Reclining (After 9/30/00)

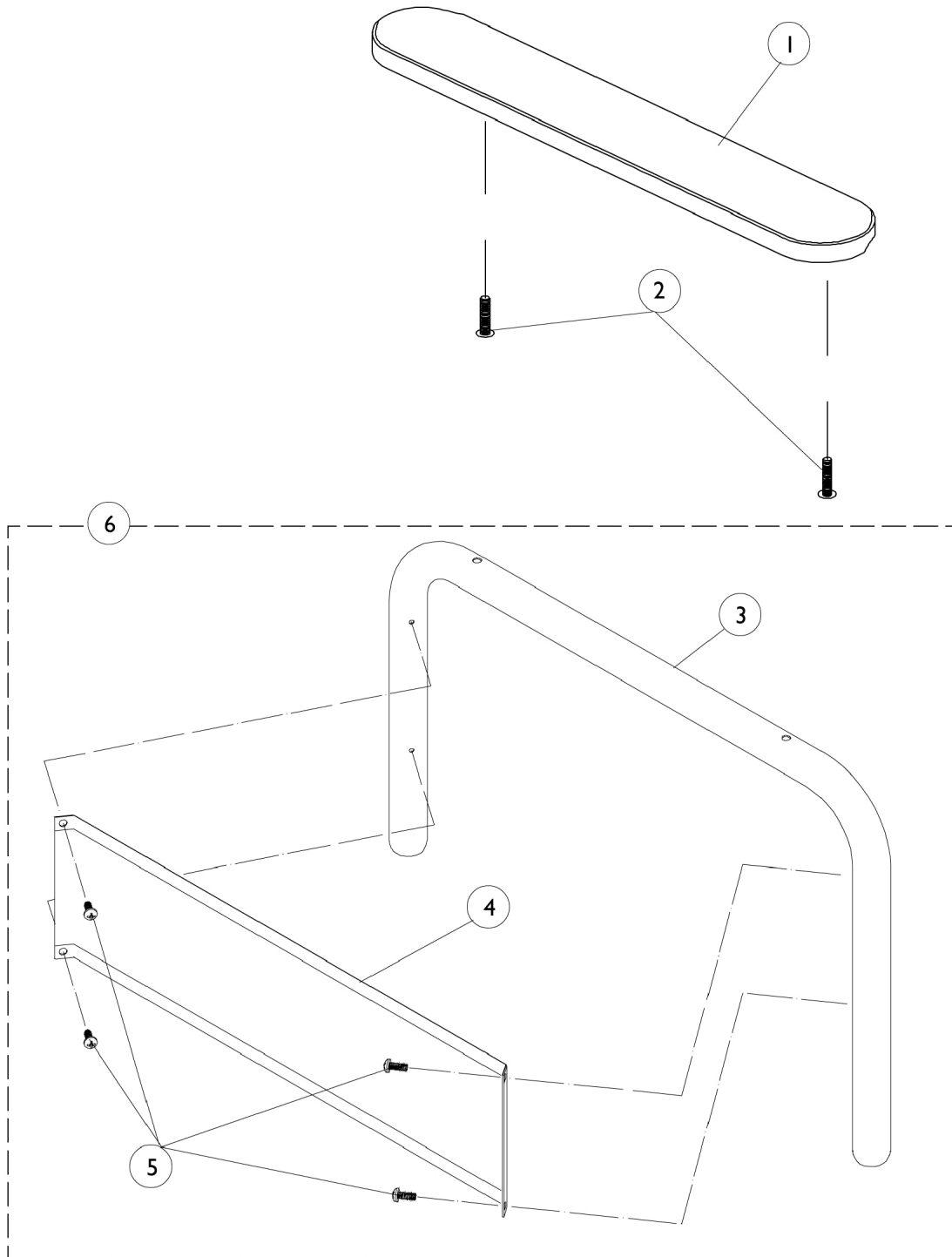
Item Number	Note	Part Number	Description	Quantity Per	
				Package	Assembly
1	A	8881015932-NL A	NLA - Pad, Arm, Vinyl, Full Length - Right (14" L x 2" W)	1	1
1	A	8881015933-NL A	NLA - Pad, Arm, Vinyl, Full Length - Left (14" L x 2" W)	1	1
1	B,F	1117328	Kit, Arm Pad w/ Screws, Full Length, Urethane Waterfall, Black (13" L x 2-5/8" W)	1	1
1		1110818	Kit, Arm Pad w/ Screws, Full Length, Urethane Waterfall, Black (13" L x 2-5/8" W) (Pair)	2	1
1	A	8881011811-NL A	NLA - Pad, Arm, Vinyl, Desk Length (9" L x 2" W)	1	1
1	B,F	1117327	Kit, Arm Pad w/ Screws, Desk Length, Urethane Waterfall, Black (9" L x 2-5/8" W)	1	1
1		1110817	Kit, Arm Pad w/ Screws, Desk Length, Urethane Waterfall, Black (9" L x 2-5/8" W) (Pair)	2	1
2		1055949	Package, Screw, Phillips Pan Head (#10-32 x 1-3/8")	2	1
2	E	1094270-NLA	NLA - Package, Screw, Phillips Pan Head (#10-32 x 1-1/4")	2	1
3		1071253	Arm Tube Assembly w/ Plug Buttons, Full Length, Black - Right/Left	1	1
3		1070859	Arm Tube Assembly w/ Plug Buttons, Desk Length, Black - Right/Left	1	1
4		1027095	Plug Button, Black (7/8")	1	2
5		1065936	Plug, Pivot	1	2
6		47471X074	Spring, Arm Lock	1	1
7		1028594	Pin, Arm Lock, Black	1	1
8		1090768	Kit, Lock Handle w/Rivets (Pair)	2	1
9		1067734	Plug Button, Black (5/8")	1	2
10		1028645	Rivet	1	6
11		1064130-NLA	NLA - Guard, Clothing	1	1
12	C	8881071554-NL A	NLA - Arm Base, Adjustable Height, Color - Right	1	1
12	C	8881071555-NL A	NLA - Arm Base, Adjustable Height, Color - Left	1	1
13		1068039	Pin, Pull	1	1
14		1019590	Screw, Socket Button Head (1/4-20 x 1-5/8")	1	1
15		1068025	Clevis, Pivot	1	1
16		1025195	Locknut (1/4-20)	1	1
17	D	1090277-NLA	NLA - Hardware, Mounting, Swingaway Armrest	1	1

## **Adjustable Height Removable Arms Non-Reclining (After 9/30/00)**

<p>NOTE: A - Specify upholstery color when ordering. See page titled "Frame Finishes, Touch-Up Paints and Upholstery Colors." B - As of 1/3/02 upholstered waterfall armpads were replaced with black urethane waterfall armpads. Order in pairs with screws for chairs manufactured before 1/3/02. C - Specify frame finish when ordering. See page titled "Frame Finishes, Touch-Up Paints and Upholstery Colors." D - Includes items 14-16. E - For urethane waterfall armpads only F - After 7/9/07 Invacare recommends ordering armpads in pairs to assure uniform appearance on chair</p>
---

# Fixed Height, Removable Arms

Non-Reclining (Before 10/1/00 and All Recliners)



## Fixed Height, Removable Arms Non-Reclining (Before 10/1/00 and All Recliners)

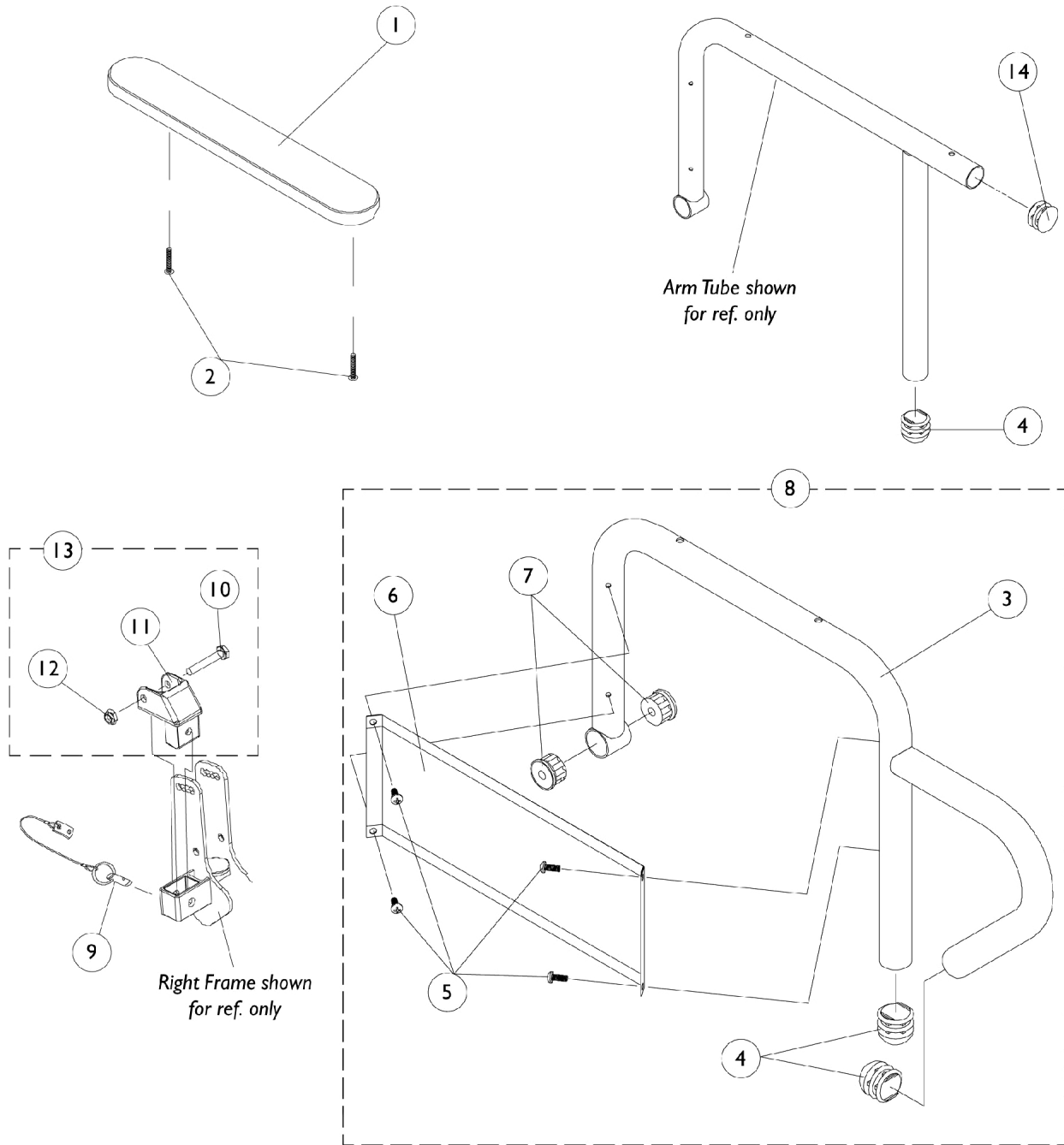
Item Number	Note	Part Number	Description	Quantity Per	
				Package	Assembly
1	A	8881015932-NL A	NLA - Pad, Arm, Vinyl, Full Length - Right (14" L x 2" W)	1	1
1	A	8881015933-NL A	NLA - Pad, Arm, Vinyl, Full Length - Left (14" L x 2" W)	1	1
1	A	8881011811-NL A	NLA - Pad, Arm, Vinyl, Desk Length (9" L x 2" W)	1	1
2		1055949	Package, Screw, Phillips Pan Head (#10-32 x 1-3/8")	2	1
3	B	8881057723	Desk Length Arm Tube (Color), Right	1	1
3	B	8881057724-NL A	NLA - Tube, Arm, Desk Length, Color - Left	1	1
3	C	1057725-NLA	NLA - Tube, Arm, Desk Length, Chrome - Right	1	1
3	C	1057726-NLA	NLA - Tube, Arm, Desk Length, Chrome - Left	1	1
3		1041891-NLA	NLA - Tube, Arm, Desk Length, Black - Right	1	1
3		1041895-NLA	NLA - Tube, Arm, Desk Length, Black - Left	1	1
3	B	8881057715-NL A	NLA - Tube, Arm, Full Length, Color - Right	1	1
3	B	8881057716-NL A	NLA - Tube, Arm, Full Length, Color - Left	1	1
3	C	1057717-NLA	NLA - Tube, Arm, Full Length, Chrome - Right	1	1
3	C	1057718-NLA	NLA - Tube, Arm, Full Length, Chrome - Left	1	1
3		1044513-NLA	NLA - Tube, Arm, Full Length, Standard, Black - Right	1	1
3		1044514-NLA	NLA - Tube, Arm, Full Length, Standard, Black - Left	1	1
4		1035472-NLA	NLA - Guard, Clothing, Desk Length	1	1
4		1044572-NLA	NLA - Guard, Clothing, Full Length (16 - 19" D)	1	1
5		1025729	Screw, Phillips Pan Head Tap (#8-32 x 3/8")	1	8
6	B	8881057729-NL A	NLA - Arm Assembly, Desk Length, Color - Right	1	1
6	B	8881057730-NL A	NLA - Arm Assembly, Desk Length, Color - Left	1	1
6	C	1057731-NLA	NLA - Arm, Desk Length without Armpad, Chrome - Right	1	1
6	C	1057732-NLA	NLA - Arm, Desk Length without Armpad, Chrome - Left	1	1
6		1057727-NLA	NLA - Arm Assembly, Desk Length, Chrome - Right	1	1
6		1057728-NLA	NLA - Arm Assembly, Desk Length, Chrome - Left	1	1
6	B	8881057719-NL A	NLA - Arm, Full Length without Armpad, Color - Right	1	1
6	B	8881057720-NL A	NLA - Arm, Full Length without Armpad, Color - Left	1	1
6	C	1057721-NLA	NLA - Arm, Full Length without Armpad, Chrome - Right	1	1
6	C	1057722-NLA	NLA - Arm, Full Length without Armpad (Chrome), Left	1	1

## Fixed Height, Removable Arms Non-Reclining (Before 10/1/00 and All Recliners)

Item Number	Note	Part Number	Description	Quantity Per	
				Package	Assembly
6		1044573-NLA	NLA - Arm Assembly, Full Length, Black - Right (Standard) (16-19" D)	1	1
6		1044574-NLA	NLA - Arm Assembly, Full Length, Black - Left (Standard) (16-19" D)	1	1
NOTE: A - Specify upholstery color when ordering. See page titled "Frame Finishes, Touch-Up Paints and Upholstery Colors." B - Specify frame finish when ordering. See page titled "Frame Finishes, Touch-Up Paints and Upholstery Colors." C - Chrome is NLA as of 3/22/99. Black replaced chrome. Order arm components in pairs to match.					

# Fixed Height Removable Arms

## Non-Reclining (After 9/30/00)





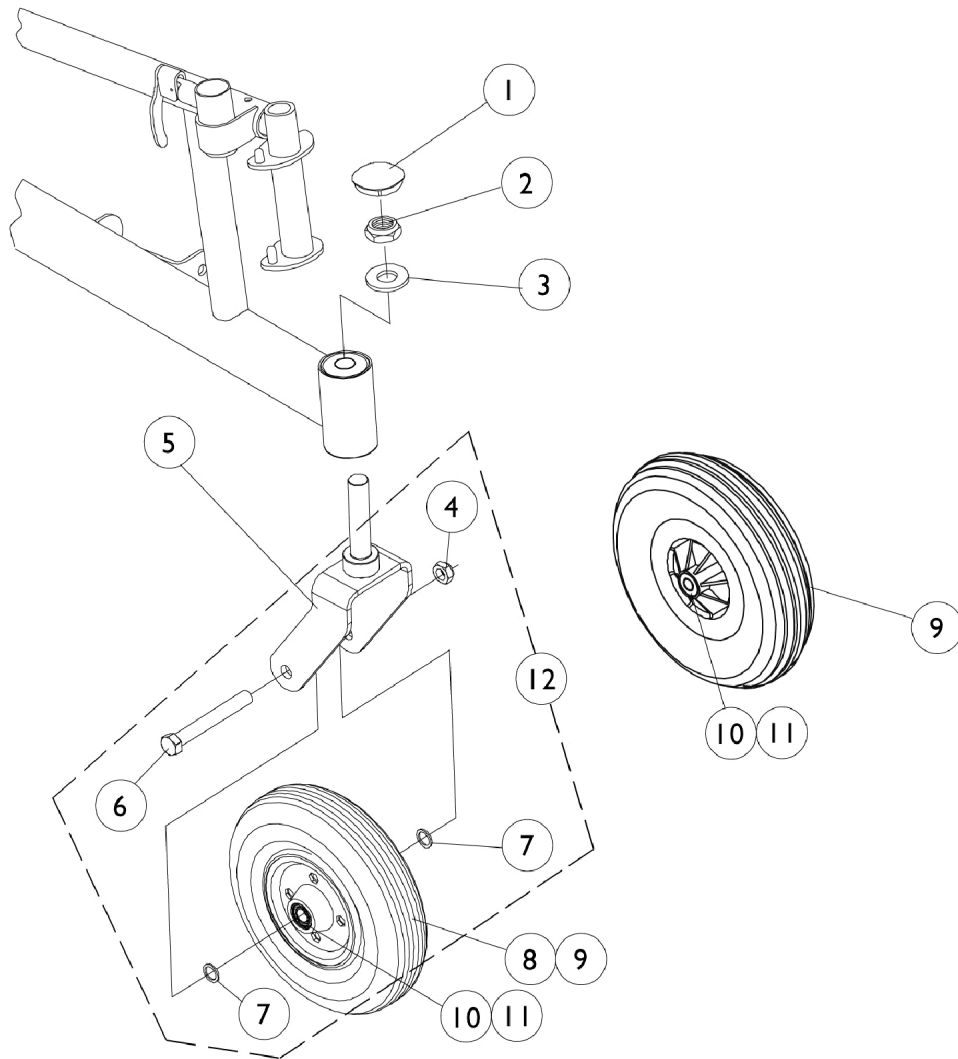
## Fixed Height Removable Arms Non-Reclining (After 9/30/00)

Item Number	Note	Part Number	Description	Quantity Per	
				Package	Assembly
1	A	8881015932-NL A	NLA - Pad, Arm, Vinyl, Full Length - Right (14" L x 2" W)	1	1
1	A	8881015933-NL A	NLA - Pad, Arm, Vinyl, Full Length - Left (14" L x 2" W)	1	1
1	C,E	1117328	Kit, Arm Pad w/ Screws, Full Length, Urethane Waterfall, Black (13" L x 2-5/8" W)	1	1
1		1110818	Kit, Arm Pad w/ Screws, Full Length, Urethane Waterfall, Black (13" L x 2-5/8" W) (Pair)	2	1
1	A	8881011811-NL A	NLA - Pad, Arm, Vinyl, Desk Length (9" L x 2" W)	1	1
1	C,E	1117327	Kit, Arm Pad w/ Screws, Desk Length, Urethane Waterfall, Black (9" L x 2-5/8" W)	1	1
1		1110817	Kit, Arm Pad w/ Screws, Desk Length, Urethane Waterfall, Black (9" L x 2-5/8" W) (Pair)	2	1
2		1055949	Package, Screw, Phillips Pan Head (#10-32 x 1-3/8")	2	1
2		1094270-NLA	NLA - Package, Screw, Phillips Pan Head (#10-32 x 1-1/4")	2	1
3	B	8881071517-NL A	NLA - Tube, Arm, Full Length, Color - Right	1	1
3	B	8881071518-NL A	NLA - Tube, Arm, Full Length, Color - Left	1	1
3	B	8881071519-NL A	NLA - Tube, Arm, Desk Length, Color - Right	1	1
3	B	8881071520-NL A	NLA - Tube, Arm, Desk Length, Color - Left	1	1
4		1067734	Plug Button, Black (5/8")	1	2
5		1025729	Screw, Phillips Pan Head Tap (#8-32 x 3/8")	1	4
6		1035472-NLA	NLA - Guard, Clothing, Desk Length	1	1
7		1065936	Plug, Pivot	1	2
8	B	8881071550-NL A	NLA - Arm Assembly, Full Length, Color - Right	1	1
8	B	8881071551-NL A	NLA - Arm Assembly, Full Length, Color - Left	1	1
8	B	8881071552-NL A	NLA - Arm Assembly, Desk Length, Color - Right	1	1
8	B	8881071553-NL A	NLA - Arm Assembly, Desk Length, Color - Left	1	1
9		1068039	Pin, Pull	1	1
10		1019590	Screw, Socket Button Head (1/4-20 x 1-5/8")	1	1
11		1068025	Clevis, Pivot	1	1
12		1025195	Locknut (1/4-20)	1	1
13	D	1090277-NLA	NLA - Hardware, Mounting, Swingaway Armrest	1	1
14		1027095	Plug Button, Black (7/8")	1	1

## Fixed Height Removable Arms Non-Reclining (After 9/30/00)

NOTE: A - Specify upholstery color when ordering. See page titled "Frame Finishes, Touch-Up Paints and Upholstery Colors."  
B - Specify frame finish when ordering. See page titled "Frame Finishes, Touch-Up Paints and Upholstery Colors."  
C - As of 1/3/02 upholstered waterfall armpads were replaced with black urethane waterfall armpads. Order in pairs with screws for chairs manufactured before 1/3/02.  
D - Includes Items 10-12.  
E - After 7/9/07 Invacare recommends ordering armpads in pairs to assure uniform appearance on chair

# Casters and Forks

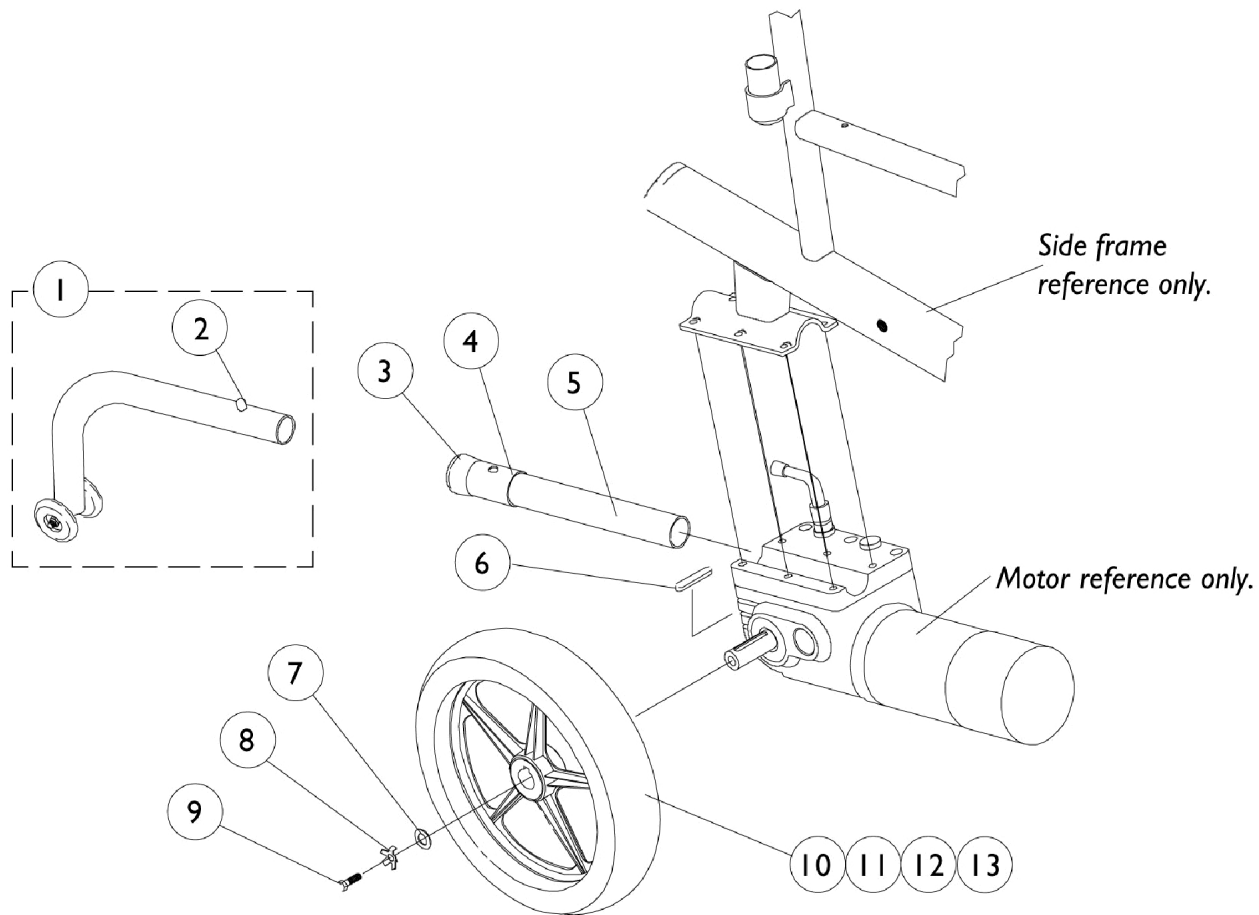


## Casters and Forks

Item Number	Note	Part Number	Description	Quantity Per	
				Package	Assembly
1		1056739	Plug Button, Head Tube, Black	1	1
2		1028550	Locknut (5/8-18)	1	1
3		1041444	Washer, Nylon (5/8 x 1-5/16 x 1/8")	1	1
4		1025734	Locknut (7/16-20)	1	1
5		1058556-NLA	NLA - Fork and Stem (8" Caster)	1	1
5	A	8881058562-NL A	NLA - Fork, Caster, Standard (8")	1	1
6		1025726	Screw, Hex Head (7/16-20 x 3-1/4")	1	1
7		1025724	Washer, Steel (15/32 x 5/8 x 3/64")	1	1
8	D	1006058-NLA	NLA - Caster, Semi Pneumatic (8")	1	1
8	E	1068311-NLA	NLA - Caster, Semi Pneumatic, Charcoal (8")	1	1
8	F	1070811	Wheel Assembly, Semi-Pneumatic, Urethane, Light Grey (8" x 1-3/4")	1	1
9	B	1002002	Wheel Assembly w/ Bearings, Pneumatic (8" x 2")	1	1
10		1006049	Bearing (7/16")	1	2
11		1020592	Spacer, Bearing (7/16 x 5/8 x 1-3/4")	1	1
12	C	1042489	Hardware, Caster Axle	1	1

NOTE: A - Specify frame finish when ordering. See page titled "Frame Finishes, Touch-Up Paints and Upholstery Colors."  
 B - Includes Items 10 and 11  
 C - Includes Items 4, 6, and 7 to accommodate 1 side only.  
 D - Before 1/15/97  
 E - After 1/15/97  
 F - After 6/8/97

# Rear Wheels and Anti-Tippers

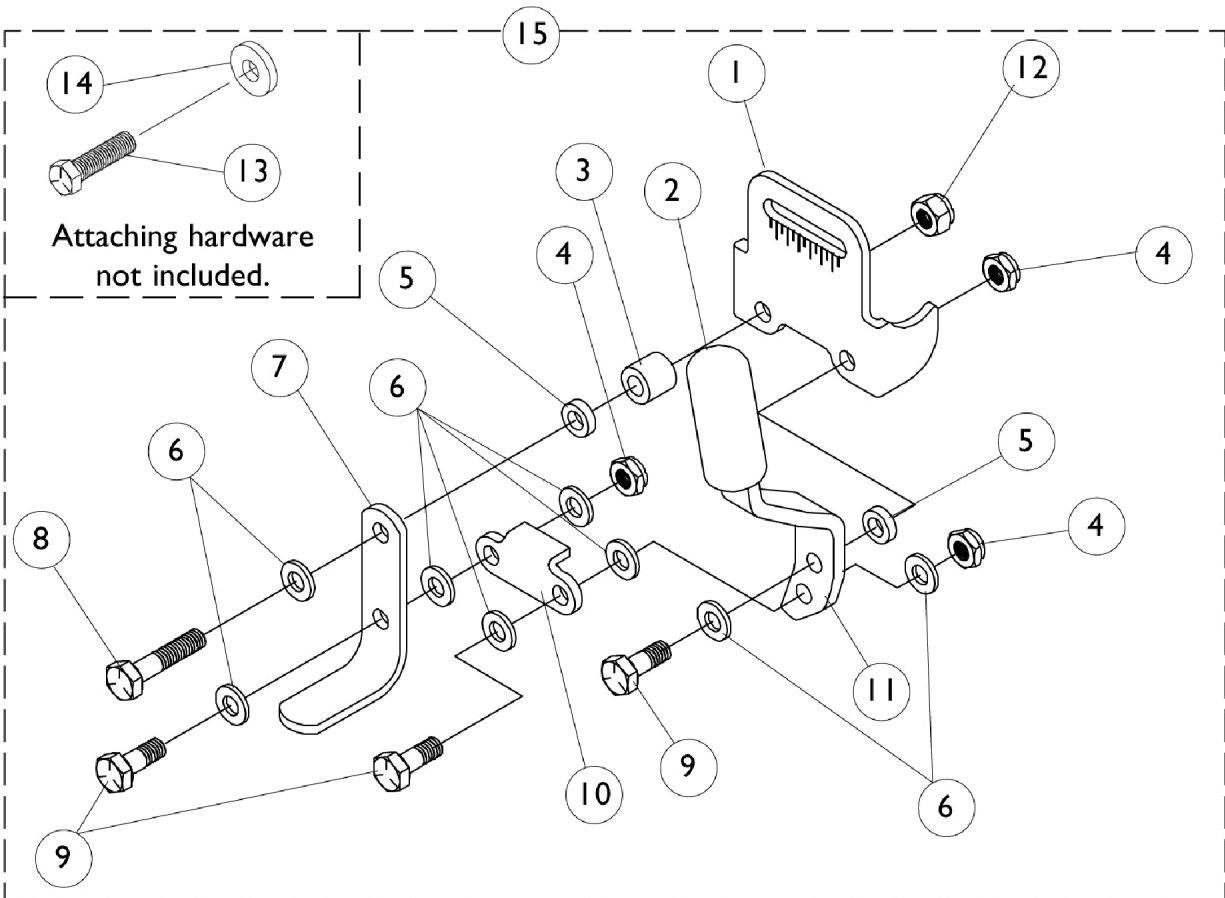


## Rear Wheels and Anti-Tippers

Item Number	Note	Part Number	Description	Quantity Per	
				Package	Assembly
1		1058824-NLA	NLA - Anti-Tipper	1	1
2		1025763	Spring, Torsion with Double Button	1	1
3		15680X013	Anti-Rattle (1")	1	1
4		1037900-NLA	NLA - Bushing, Anti-Wear	1	1
5		1057423-NLA	NLA - Tube, Support, Anti-Tipper, Black	1	1
6		1023264	Key (6mm x 6mm x 40mm)	1	1
7		1079247	Washer, Flat (21/64 x 53/64 x 7/64")	1	1
8		1064179	Kit, Locking Tab Washer w/ Instruction Sheet (Pair)	2	1
9		1023260	Screw (M8 x 1.25 x 20mm)	1	1
10		1064178-NLA	NLA - Drive Wheel Assembly, 5 Spoke, Pneumatic (12-1/2 x 2-1/4") Includes: Locking Tab Washer with Instruction Sheet	1	1
10		1064177	Drive Wheel Assembly, 5 Spoke w/ Foam Fill Insert (12-1/2 x 2-1/4") Includes: Locking Tab Washer with Instruction Sheet	1	1
11		1011524	Tire, Pneumatic, Grey (12-1/2" x 2-1/4")	1	1
12		1011525	Tube, Inner, Black (12-1/2 x 2-1/4")	1	1
12	A	1073936-NLA	NLA - Insert, Flat Free	1	1
13		1064176-NLA	NLA - Rim with Locking Tab	1	1

NOTE: A - As of 10/20/99 the "Solid" Flat Free Insert was replaced by a "Foam Fill" process. When a Flat Free Insert is requested, a complete wheel must be ordered.

# Wheel Lock



## Wheel Lock

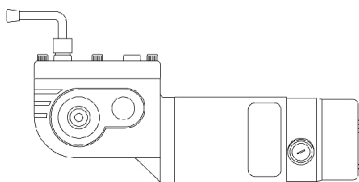
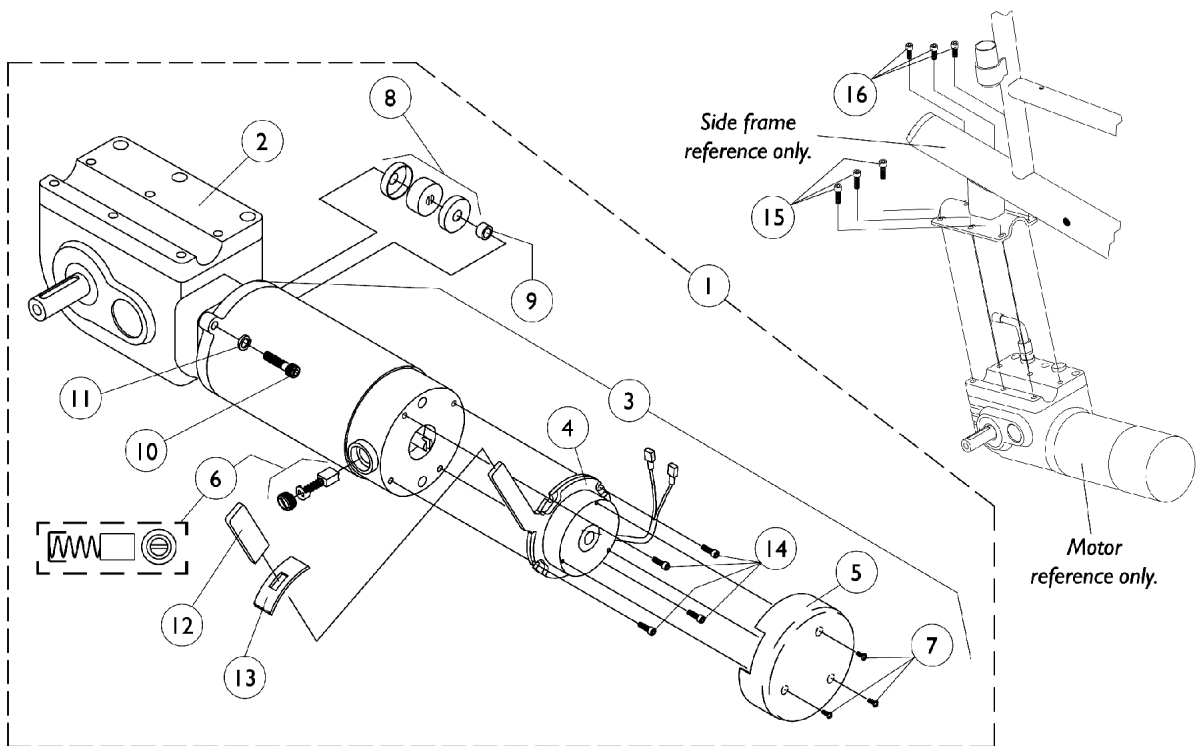
Item Number	Note	Part Number	Description	Quantity Per	
				Package	Assembly
1		1057912-NLA	NLA - Bracket, Black	1	1
2		47376X024	Tip, Rubber Wheel Lock Handle, Black	1	1
3		1057946-NLA	NLA - Spacer (17/64 x 31/64 x 7/16")	1	1
4		1025765	Locknut (1/4-28)	1	1
5		1026105-NLA	NLA - Spacer, Nylon (1/4 x 7/16 x 1/8")	1	2
6		1026033	Washer, Nylon (1/4 x 1/2 x 1/16")	1	8
7		1031833-NLA	NLA - Shoe, Wheel Lock	1	1
8		1021406	Screw, Hex Head (1/4-20 x 1-1/4")	1	1
9		1028687	Screw, Hex Head (1/4-28 x 3/4")	1	3
10		1018733-NLA	NLA - Link, Stop, Black	1	1
11		1021408-NLA	NLA - Handle, Wheel Lock, Black - Right	1	1
11		1021409-NLA	NLA - Handle, Wheel Lock, Black - Left	1	1
12		1025736	Locknut (1/4-20)	1	1
13		1025708-NLA	NLA - Bolt, Hex Head Cap (1/4-20 x 3/4")	1	1
14		1018739	Washer (1/4 x 5/8 x 3/32")	1	1
15		1057947-NLA	NLA - Wheel Lock Assembly - Right	1	1
15		1057948-NLA	NLA - Wheel Lock Assembly - Left	1	1
	A	1058899	Wheel Lock Extension Handle Assembly, Black (6")	1	1
	A	1058900	Wheel Lock Extension Handle Assembly, Black (8")	1	1

NOTE: A - Not Shown

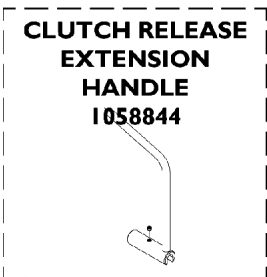


# 2-Pole Motor and Gearbox

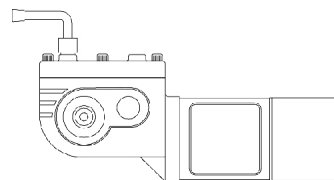
**NOTE:** Manual recliner models for rear wheel drive continued to use the 2-pole motor/gearboxes thru 5/14/99.



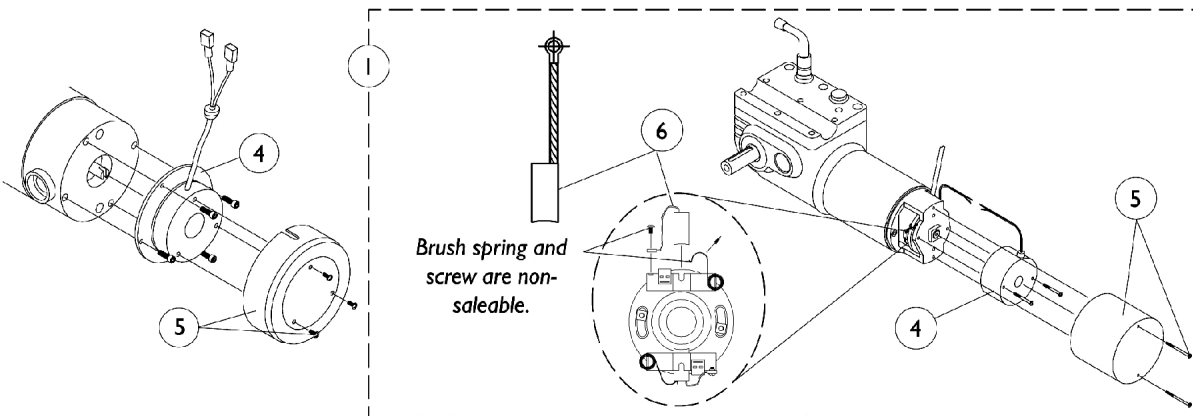
*Motor with short metal cap and 3 screw mounts*



**CLUTCH RELEASE  
EXTENSION  
HANDLE  
105884**



*Motor with long plastic cap and 2 screw mounts*



## 2-Pole Motor and Gearbox

**NOTE: Manual recliner models for rear wheel drive continued to use the 2-pole motor/gearboxes thru 5/14/99.**

Item Number	Description	With Brake Lever (Before 3/15/99) Right	With Brake Lever (Before 3/15/99) Left	Basic Short Cap Right	Basic Short Cap Left	Basic Long Cap (Light Duty 250-S) Right	Basic Long Cap (Light Duty 250-S) Left
1.	Motor/ Gearbox	1057906-NLA	1057907-NLA	1057904-NLA	1057905-NLA	1057902	1057903
2.	Gear Box	1056732-NLA	1056733-NLA	N/A	N/A	N/A	N/A
3.	Motor Assembly	1070161-NLA	1070162-NLA	N/A	N/A	N/A	N/A
3.	WARR RPLMT - Motor Assembly	1070161E-NL A	1070162E-NL A	N/A	N/A	N/A	N/A
4.	Brake Repair Kit	1056734-NLA	1056735-NLA	1057827-NLA	1057827-NLA	1055872-NLA	1055872-NLA
5.	Brake Cover with Screws	1056736-NLA	1060996	1057826	1057826	1038361-NLA See Note(s) D	1038361-NLA See Note(s) D
6. See Note(s) E	Brushes with cap (Pair)	1064336-NLA	1064336-NLA	1044044-NLA	1044044-NLA	561-005-NLA	561-005-NLA See Note(s) E
7.	Screw, Phillips Pan Head (#4-40 x 1/4")	1050305-NLA	1050305-NLA	1050305-NLA	1050305-NLA	N/A	N/A
8.	NLA - Coupling w/ Cup (1" Diameter)	5165204-NLA See Note(s) B	5165204-NLA See Note(s) B	N/A	N/A	N/A	N/A
8. See Note(s) B	NLA - Coupling w/ Cup (1-5/16" Diameter)	50000X007-N LA See Note(s) C	50000X007-N LA See Note(s) C	N/A	N/A	N/A	N/A
9.	Spacer	50000X341-N LA See Note(s) A	50000X341-N LA See Note(s) A	N/A	N/A	N/A	N/A
10.	Screw, Socket Head (1/4-20 x 1-1/8")	1043594	1043594	N/A	N/A	N/A	N/A
11.	Lockwasher	10502X001-N LA	10502X001-N LA	N/A	N/A	N/A	N/A
12.	Plastic Tip	1006490	1006490	N/A	N/A	N/A	N/A
13.	Slotted Plate	1057972-NLA	1057972-NLA	N/A	N/A	N/A	N/A
14.	Screw, Socket Head (#8-32 x 1/2")	1008498-NLA	1008498-NLA	N/A	N/A	N/A	N/A

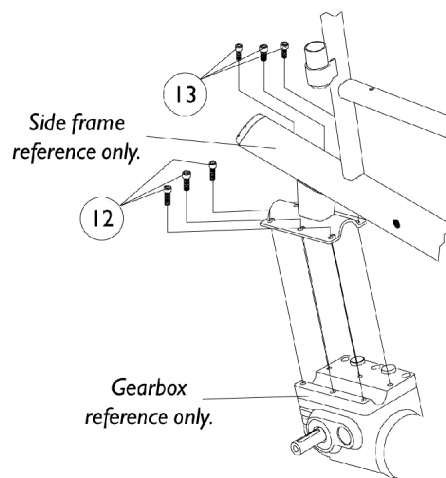
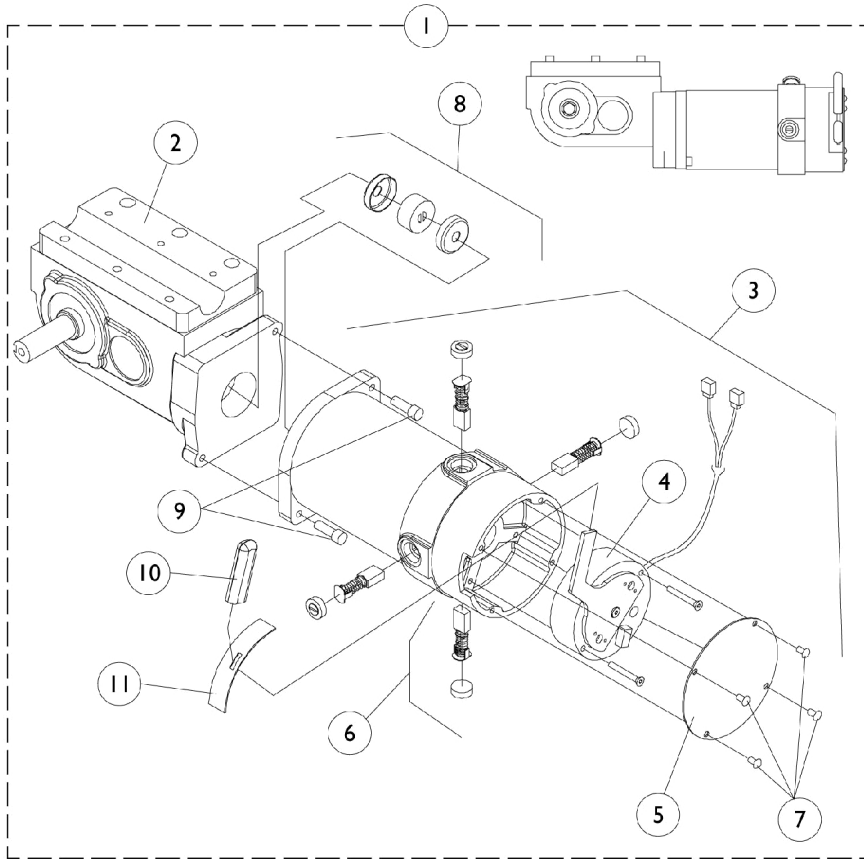
## 2-Pole Motor and Gearbox

**NOTE: Manual recliner models for rear wheel drive continued to use the 2-pole motor/gearboxes thru 5/14/99.**

Item Number	Description	With Brake Lever (Before 3/15/99) Right	With Brake Lever (Before 3/15/99) Left	Basic Short Cap Right	Basic Short Cap Left	Basic Long Cap (Light Duty 250-S) Right	Basic Long Cap (Light Duty 250-S) Left
15.	Screw, Socket Head (M6 x 30MM)	1057823-NLA	1057823-NLA	1057823-NLA	1057823-NLA	1057823-NLA	1057823-NLA
16.	Screw, Socket Head (M6 x 16MM)	1057824-NLA	1057824-NLA	1057824-NLA	1057824-NLA	1057824-NLA	1057824-NLA
17.	Clutch Release Extension Handle	N/A	N/A	1063287-NLA See Note(s) D	1063287-NLA See Note(s) D	1063287-NLA See Note(s) D	1063287-NLA See Note(s) D
<p><b>NOTE:</b> A - Spacer not needed after 6/30/98.            B - Coupling and Cup for chairs manufactured before 11/12/01 - Use part # 50000X007 as a direct replacement part.            C - After 11/11/01 Coupling with Cup was resized from approximately 1" to 1-5/16" diameter and can be used as a direct replacement for part number 5165204            D - Sold in pairs only            E - 561-005 are internal brushes and do not use Caps.</p>							

# 4-Pole Motor and Gearbox With Brake Lever (After 3/14/99)

**NOTE:** Manual Recliner models for Rear Wheel Drive continued to use the 2-Pole Motor/Gearboxes thru 5/14/99. See page titled "2-Pole Motor and Gearbox"



## 4-Pole Motor and Gearbox With Brake Lever (After 3/14/99)

**NOTE: Manual Recliner models for Rear Wheel Drive continued to use the 2-Pole Motor/Gearboxes thru 5/14/99. See page titled "2-Pole Motor and Gearbox"**

Item Number	Description	Right	Left
1.	Motor / Gearbox Before 10/29/01	1085949-NLA See Note(s) D	1085950-NLA See Note(s) D
1.	WARR RPLMT - Motor / Gearbox Before 10/29/01	1085949E-NLA See Note(s) G	1085950E-NLA See Note(s) H
1.	Motor / Gearbox After 10/28/01	1109167-NLA	1109168-NLA
2.	Gearbox	1086221 See Note(s) C	1086222-NLA See Note(s) C
3.	Motor Assembly Before 10/29/01	1087218-NLA	1086788-NLA
3.	Motor Assembly After 10/28/01	1109228-NLA	1109229-NLA
4.	Brake Repair Kit	1070294-NLA See Note(s) F	1070295-NLA See Note(s) F
5.	Brake Cover with Screws Before 10/29/01	1070297-NLA	1070297-NLA
5.	Brake Cover (Black) with Screws After 10/28/01	1104402-NLA	1104402-NLA
6.	Brushes with Caps	1070296-NLA See Note(s) E	1070296-NLA See Note(s) E
7.	Screw, Socket Pan Head (#8-32 x 1/4")	SEE ITEM 5	SEE ITEM 5
8.	NLA - Coupling w/ Cup (1" Diameter)	5165204-NLA See Note(s) A	5165204-NLA See Note(s) A
8.	NLA - Coupling w/ Cup (1-5/16" Diameter)	50000X007-NLA See Note(s) B	50000X007-NLA See Note(s) B
9.	Screw, SHC (1/4-20 x 1-1/8")	1043594 See Note(s) C	1043594 See Note(s) C
9.	Screw, SHC (M6 x 1 x 20MM)	1108978 See Note(s) C	1108978 See Note(s) C
10.	Plastic Tip Before 10/29/01	1082984-NLA	1082984-NLA
10.	Plastic Tip After 10/28/01	1101725	1101725
11.	Slotted Plate	1082985-NLA	1082985-NLA
12.	Screw, Socket Head (M6 x 30MM)	1057823-NLA	1057823-NLA
13.	Screw, Socket Head (M6 x 16MM)	1057824-NLA	1057824-NLA

# 4-Pole Motor and Gearbox

## With Brake Lever

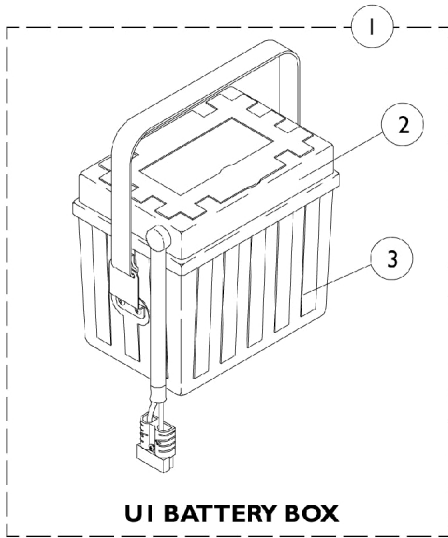
### (After 3/14/99)

**NOTE: Manual Recliner models for Rear Wheel Drive continued to use the 2-Pole Motor/Gearboxes thru 5/14/99. See page titled "2-Pole Motor and Gearbox"**

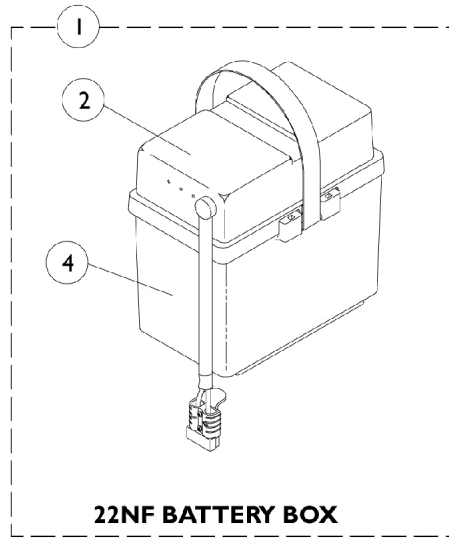
NOTE:	A - Coupling with Cup for chairs manufactured before 11/12/01 - Use part # 50000X007 as a direct replacement part.
	B - After 11/11/01 Coupling with Cup was resized from approximately 1" to 1-5/16" diameter and can be used as a direct replacement for part number 5165204
	C - When a new gearbox or mounting screws are ordered, (2 ea.) metric and (2 ea.) non-metric screws (item 9) must be ordered. Invacare Corp. utilizes alternate suppliers for this part number.
	D - As of May 2008, the Metal Motor End Cap will be replaced with a Composite Motor End Cap. The change does not affect form, fit, function or aesthetics.
	E - Kit includes (4) Brushes, (4) Brush Caps and Instruction Sheet.
	F - Use existing screws when installing the Brake Repair Kit. The Motor Brake Mounting Screws are not saleable.
	G - Part is no longer available as a service part. See part number 1085949 as a replacement.
	H - Part is no longer available as a service part. See part number 1085950 as a replacement.

# Battery Boxes and Trays

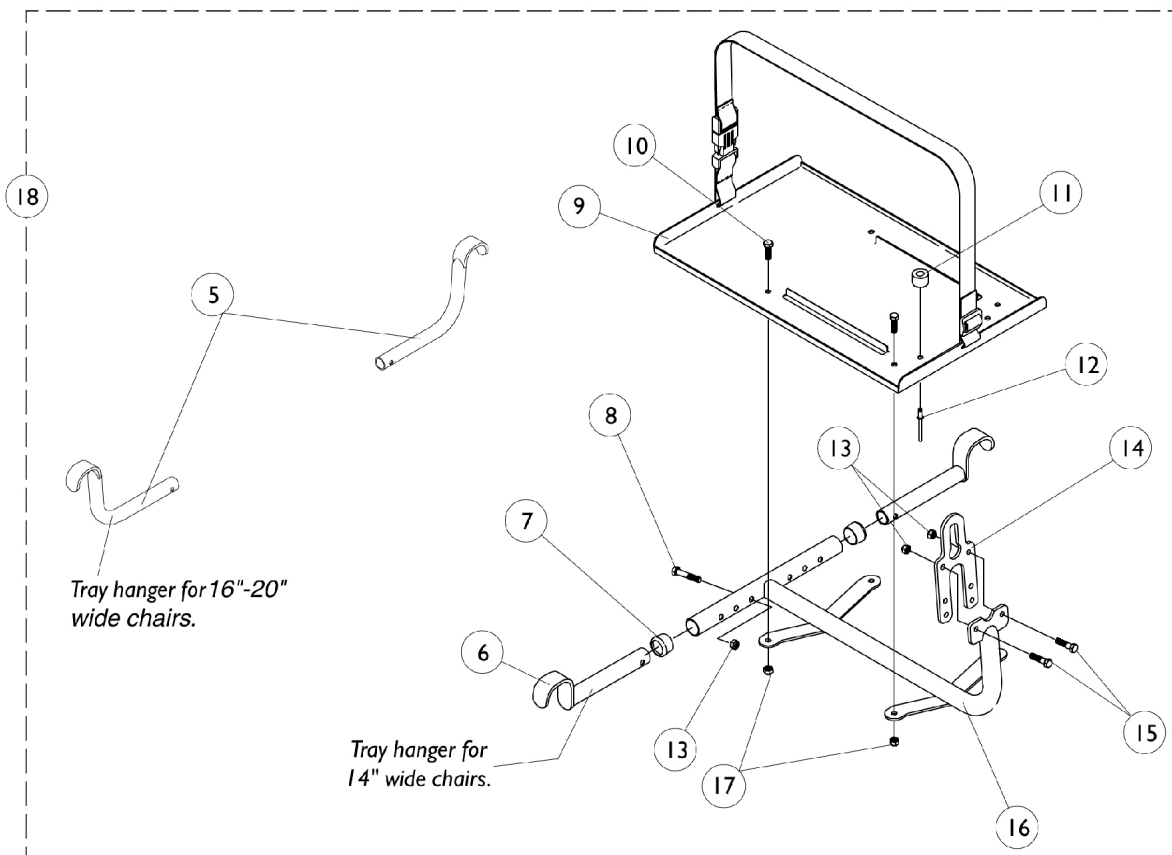
Light Duty, 250-S models use UI batteries with 22NF battery boxes.



**UI BATTERY BOX**



**22NF BATTERY BOX**



Tray hanger for 16"-20"  
wide chairs.

Tray hanger for  
14" wide chairs.

# Battery Boxes and Trays

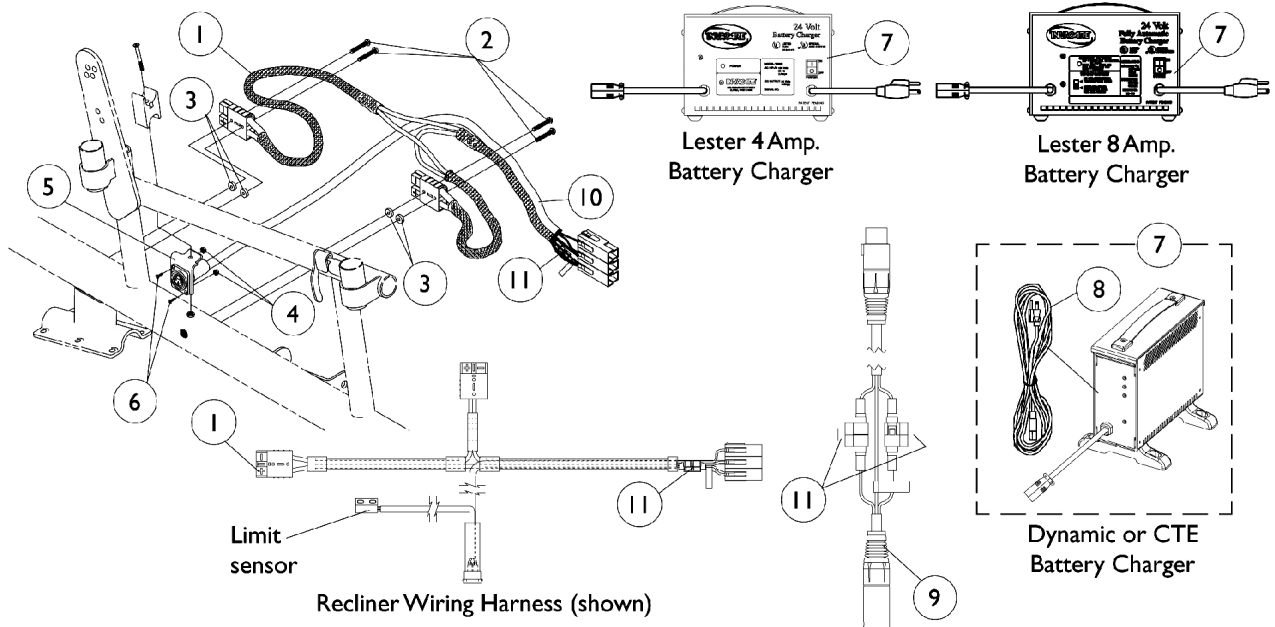
Light Duty, 250-S models use UI batteries with 22NF battery boxes.

Item Number	Note	Part Number	Description	Quantity Per	
				Package	Assembly
1		1057942-NLA	NLA - Battery Box Assembly, Dual w/ Single Extended Connector, UI	1	2
1		1097007	Battery Box Assembly, Rear, 22NF	1	2
2	A,B	1057941-NLA	NLA - Battery Box Top Assembly, Dual w/ Single Extended Connector, UI	1	2
2	A,B	1097003	Battery Box Top, Rear, 22NF	1	2
3		1009268-NLA	NLA - Battery Box Bottom Assembly, U1	1	2
4		1057944	Battery Box Bottom with Strap, 22NF	1	2
5		1057419-NLA	NLA - Bracket, Tray Hanger, Black (16-20" W)	1	2
6		1057939-NLA	NLA - Bracket, Tray Hanger, Black (14" W)	1	2
7		15680X012	Collar, Anti-Rattle (7/8")	1	2
8		1021406	Screw, Hex Head (1/4-20 x 1-1/4")	1	2
9		1057835-NLA	NLA - Tray Assembly with Buckle	1	1
10		1025752-NLA	NLA - Screw, Hex Head (1/4-20 x 1-1/2")	1	4
11		1016025-NLA	NLA - Bumper, Rubber (UI Battery Boxes Only)	1	2
12		1007094-NLA	NLA - Rivet, Pop (3/16") (UI Battery Boxes Only)	1	2
13		1025736	Locknut (1/4-20)	1	1
14		1044066-NLA	NLA - Hanger, Tray	1	1
15		1025708-NLA	NLA - Bolt, Hex Head Cap (1/4-20 x 3/4")	1	1
16		1057421-NLA	NLA - Support, Tray, Sectional	1	1
16		1062463-NLA	NLA - Support, Tray, Recliner	1	1
17		1025195	Locknut (1/4-20)	1	1
18		1057838-NLA	NLA - Battery Tray Assembly, 22NF Battery Boxes (16"-20" W) - Sectional	1	1
18		1062464-NLA	NLA - Battery Tray Assembly, 22NF Battery Boxes, Recliner (16-20" W)	1	1
18		1057839-NLA	NLA - Battery Tray Assembly, UI Battery Boxes, Sectional (14" W)	1	1
18		1062465-NLA	NLA - Battery Tray Assembly, For U1 Battery Boxes, Recliner (14" W)	1	1
	E	50000X166-NLA	NLA - Fuse - Buss 2-1/4" L (60 AMP)	1	1
	E	1089385	Fuse, MIDI (Non-G/B & G/B) (80 AMP)	1	2
	C,E	1060318-NLA	NLA - Hardware, Battery Terminal, UI Batteries (Pair)	2	1
	D,E	1058618-NLA	NLA - Hardware, Battery Terminal, 22NF Batteries (Pair)	2	1

NOTE: A - As of 11/05/99 the battery harness fuse changed from a Bussman 60 AMP to a MIDI 80 AMP fuse. This battery box top is compatible for chairs manufactured before 11/05/99 and must be ordered when a replacement Bussman 60 AMP fuse is requested.  
 B - It is recommended that the new terminal hardware be ordered when a new battery box top is ordered.  
 C - Hardware includes small battery terminal caps (gray and orange), 1/4-20 x 7/8" hex flange screws, 1/4-20 hex flange nuts, cable ties, locking tab washers and instruction sheet for two batteries.  
 D - Hardware includes battery clamps, battery clamp cops (red and black), small battery terminal caps (red and black), 1/4-20 x 7/8" hex flange screws, 1/4-20 hex flange nuts, cable ties and locking tab washers for two batteries.  
 E - Not Shown



# Battery Charger and Harnesses



## Battery Charger and Harnesses

Item Number	Note	Part Number	Description	Quantity Per	
				Package	Assembly
1		1053834-NLA	NLA - Harness, Wiring, Standard	1	1
1		1062466-NLA	NLA - Harness, Wiring, Recliner	1	1
2		1039773-NLA	NLA - Screw, Phillips Pan Head (#6-32 x 1-1/8")	1	4
3		1061323-NLA	NLA - Washer, Nylon (11/64 x 1/2 x 1/8")	1	2
4		P0870X000	Nut, Hex Keps (#4-40)	1	2
5		1053837-NLA	NLA - Bracket, Charger Connector, Black	1	1
6		1021742	Screw, Phillips Pan Head (#4-40 x 1/2")	1	1
7	A,J	1053161-NLA	NLA - Charger, Battery, 8 Amp, 115vac, Off Board Dual Mode Round Plug, Lester	1	1
7		1085678-NLA	NLA - Charger, Battery, 8 Amp. 115vac, Off Board, Dual Mode, Round Plug w/ AC Power Line Cord, Dynamic	1	1
7	D,G	1061411-NLA	NLA - Charger, Battery, 4 Amp. 115vac, Off Board, Dual Mode, Round Plug, Lester	1	1
7	H,H1	1123249	Charger, Battery, 8 Amp. 115vac (Off Board) Single Mode Round Plug w/ AC Power Line Cord	1	1
7	H,H1	1123249E-NLA	NLA - WARR RPLMT - Charger, Battery, 8 Amp, 115VAC (Off Board) Single Mode Round Plug w/ AC Power Line Cord	1	1
8	I	1089627-NLA	NLA - Cord, AC Power, 115VAC, 2 Prong Off-Board (11' 6" L)	1	1
8		1121086	Cord, AC Power, 115VAC, 3 Prong On-Board (6' 6-1/2" L)	1	1
9		1083929-NLA	NLA - Cable, Charger Extension, Round Plug (24" L)	1	1
10	B	1090357-NLA	NLA - Wrap, Slit Wire Harness (1/2" O.D., 36" Long Cut To Length)	1	1
11	E	1098892-NLA	NLA - Fuse - Buss ATC-15 (15 AMP)	1	2
11	F	1090117-NLA	NLA - Fuse - Buss Mini ATM-15 (15 AMP)	1	2
	C	1095502-NLA	NLA - Package, Tie Wrap (11-1/2" L)	10	1

NOTE: A - On 7/18/01 Lester 8 AMP battery charger was reinstated.  
 B - Plastic wire wrap replaced mesh fabric and heat shrink 9/1/99. #1090357 can be used for chairs made before 9/1/99.  
 C - Not Shown  
 D - Light Duty, 250-S Models Only.  
 E - Before 4/1/03. Charger extension cable requires 1 fuse. Wiring harness requires 2 fuses  
 F - After 3/31/03. Charger extension cable requires 2 fuses. Wiring harness requires 2 fuses  
 G - The 4 amp. Lester charger was obsoleted and replaced with the 8 amp. CTE charger. For wet cell batteries, use the 8 amp. dual mode Lester charger.  
 H - CTE charger introduced 4/1/04. Used on Gel Cell or AGM (Absorbed Glass Mat) batteries. For wet cell batteries refer to the 8 amp. Lester charger.  
 H1 - CTE charger looks exactly the same as Dynamic's charger except for the company name that is silk screened on the narrow side panel, where the charger plug is (hard wired) attached. Serial number starts with 04A00000001.  
 I - No longer available as a service part. Please use 1121086 as its replacement.  
 J - Use Battery Charger part number 1123249 as a replacement.

# Front Riggings Reference Chart

## Support Assemblies

Riggings	Color Right	Color Left	Chrome Right	Chrome Left
P93	8881035779	8881035780	1030708	1030709
PW93	8881070776	8881070777	N/A	N/A
P93ST	8881058475-NLA	8881058474-NLA	1058477-NLA	1058476-NLA
PW93ST	8881070784-NLA	8881070785-NLA	N/A	N/A
P93E	8881037691-NLA	8881037692-NLA	1030994-NLA	1030995-NLA
PW93E	8881070768-NLA	8881070769-NLA	N/A	N/A
P93M	8881037836-NLA	8881037837-NLA	1031191-NLA	1031192-NLA
PAS4A/PAL4A (14-20" W)	N/A	N/A	1058482-NLA See Note(s) A	1058483-NLA See Note(s) A
P904A (14-20" W)	8881058646-NLA See Note(s) A	8881058647-NLA See Note(s) A	1058488-NLA See Note(s) A	1058489-NLA See Note(s) A

NOTE: A - Calf pads and attaching hardware not included with legrest. See page titled "Calf Pads and Attaching Hardware."

### Pivot/Slide Tube with Footplate P93/P93E/P93M

Side	Alumunim Footplate (Standard - 1650)	Deluxe Aluminum Footplate (1450)	Extra Large Aluminum Footplate (1350)
14"W - Right	1058573-NLA	N/A	N/A
14"W - Left	1058574-NLA	N/A	N/A
16-20"W - Right	1057969-NLA	1028892-NLA See Note(s) A	1031924-NLA
16-20"W - Left	1057970-NLA	1028893-NLA See Note(s) A	1031925-NLA
16-20"W 2" Longer - Right	N/A	N/A	1086519-NLA
16-20"W 2" Longer - Left	N/A	N/A	1086523-NLA
16-20"W 4" Longer - Right	N/A	N/A	1086520-NLA
16-20"W 4" Longer - Left	N/A	N/A	1086524-NLA

NOTE: A - No longer available as a service part individually.

NOTE: The Pivot/Slide tube mounting hardware is not included.

## Front Riggings Reference Chart

### Pivot/Slide Tube with Footplate PW93/PW93E

Side	Aluminum Footplate (Standard - 1650)	Deluxe Aluminum Footplate (1450)	Extra Large Aluminum Footplate (1350)	Adjustable Angle Flip-up Footplate (AT5543)
14"W - Right	1041542-NLA	N/A	1086790-NLA	1060444
14"W - Left	1041543-NLA	N/A	1086791-NLA	1060445
16-20"W - Right	1074149	1074151-NLA	1026395	1062756
16-20"W - Left	1074150	1074152-NLA	1026396	1062757
16-20"W 2" Longer - Right	1086494-NLA	N/A	1086515	N/A
16-20"W 2" Longer - Left	1086497-NLA	N/A	1086517	N/A
16-20"W 4" Longer - Right	1086495-NLA	N/A	1086516	N/A
16-20"W 4" Longer - Left	1086498-NLA	N/A	1086518	N/A

NOTE: The Pivot/Slide tube mounting hardware is not included.

### Pivot/Slide Tube with Footplate P93ST/PW93ST

Side	Composite Footplate (1651)
16-20"W - Right	1057859
16-20"W - Left	1057860

NOTE: The Pivot/Slide tube mounting hardware is not included.

# Front Riggings Reference Chart

## Pivot/Slide Tube with Footplate PAS4A

Side	Aluminum Footplate (Standard - 1650)	Extra Large Aluminum Footplate (1350)
14"W - Right	1023905-NLA	1035454-NLA
14"W - Left	1023906-NLA	1035455-NLA

NOTE: The Pivot/Slide tube mounting hardware is not included.

## Pivot/Slide Tube with Footplate PAL4A

Side	Aluminum Footplate (Standard - 1650)	Extra Large Aluminum Footplate (1350)
16-20"W - Right	1023907	1035456
16-20"W - Left	1023908	1035457

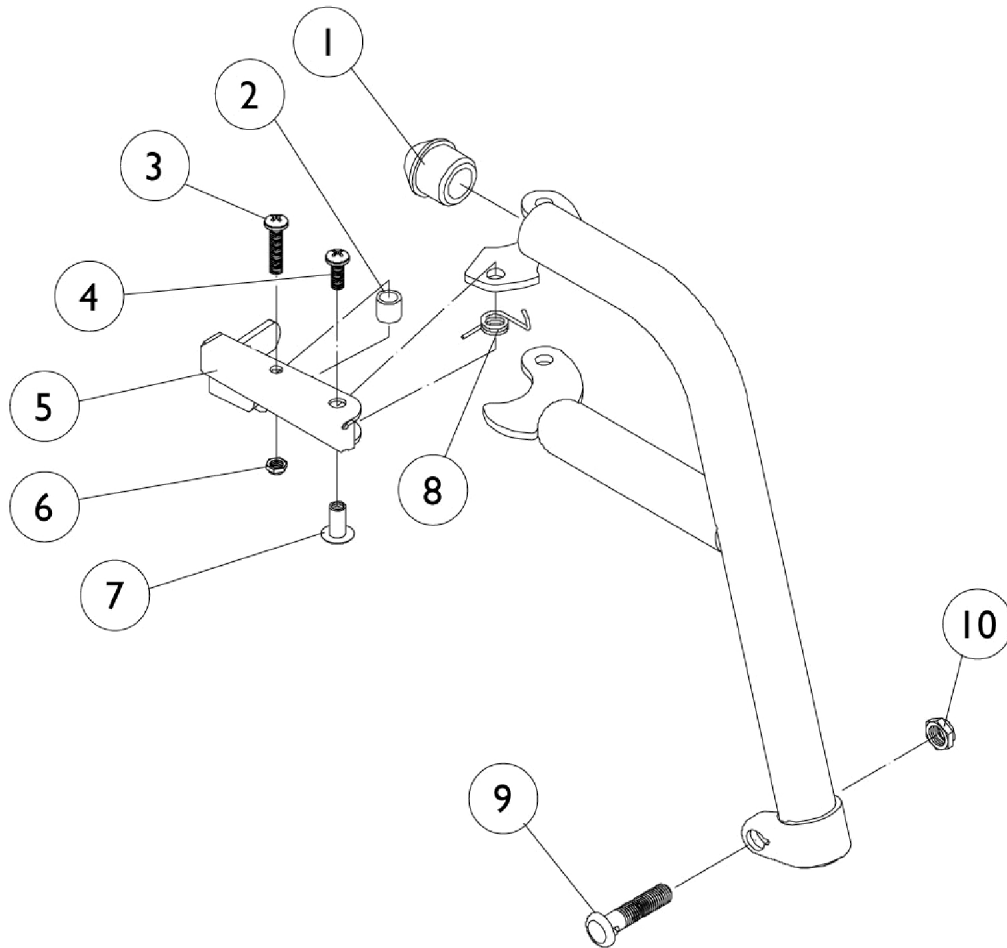
NOTE: The Pivot/Slide tube mounting hardware is not included.

## Pivot/Slide Tube with Footplate P904A

Side	Aluminum Footplate (Standard - 1650)	Deluxe Aluminum Footplate (1450)	Extra Large Aluminum Footplate (1350)
14"W - Right	1058612-NLA	N/A	1058828-NLA
14"W - Left	1058613-NLA	N/A	1058829-NLA
16-20"W - Right	1058604	1028723-NLA	1058830
16-20"W - Left	1058605	1028724-NLA	1058831
16-20"W 2" Longer - Right	1086529-NLA	N/A	1086541-NLA
16-20"W 2" Longer - Left	1086531-NLA	N/A	1086551-NLA
16-20"W 4" Longer - Right	1086530-NLA	N/A	1086542-NLA
16-20"W 4" Longer - Left	1086532-NLA	N/A	1086552-NLA

NOTE: The Pivot/Slide tube mounting hardware is not included.

# P93 Footrest Supports

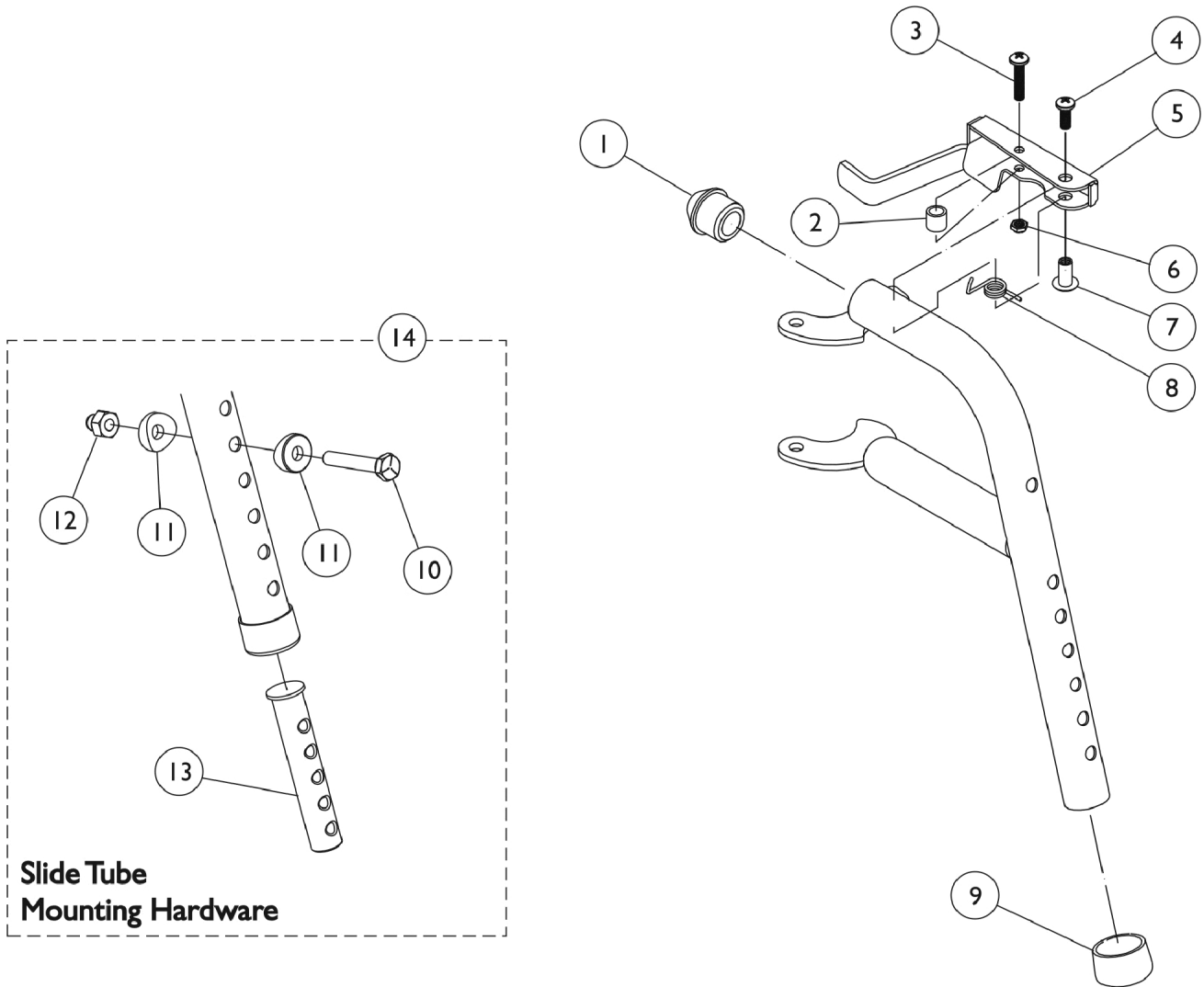


## P93 Footrest Supports

Item Number	Note	Part Number	Description	Quantity Per	
				Package	Assembly
1		1020719	Anti-Rattle, Black	1	1
2		47565X057	Bushing (7/32 x 3/8 x 11/32")	1	1
3		1025716	Screw, Phillips Pan Head (#10-32 x 11/16")	1	1
4		1026114	Screw, Phillips Pan Head (#10-32 x 1/2")	1	1
5		1035539	Handle, Release, Black - Right	1	1
5		1035540	Handle, Release, Black - Left	1	1
6		1025735	Locknut (#10-32)	1	1
7		1028846-NLA	NLA - Rivnut (#10-32)	1	1
8		1028707	Spring, Release - Right	1	1
8		1028708	Spring, Release - Left	1	1
9		1026030	Bolt, Lug (5/16-24 x 1-3/8")	1	1
10		1107321	Nut, Low Cap (5/16"-24)	1	1
	A,C	1006490	Tip, Plastic, Black	1	1
	A,B	8881035779	Footrest Support Assembly, Adult, Color - Right	1	1
	A,B	8881035780	Footrest Support Assembly, Adult, Color - Left	1	1
	A	1030708	Footrest Support Assembly, Adult, Silver Vein - Right	1	1
	A	1030709	Footrest Support Assembly, Adult, Silver Vein - Left	1	1

NOTE: A - Not Shown  
 B - Specify frame finish when ordering. See page titled "Frame Finishes, Touch-Up Paints and Upholstery Colors."  
 C - Before 10/1/00 only

# PW93 Footrest Supports



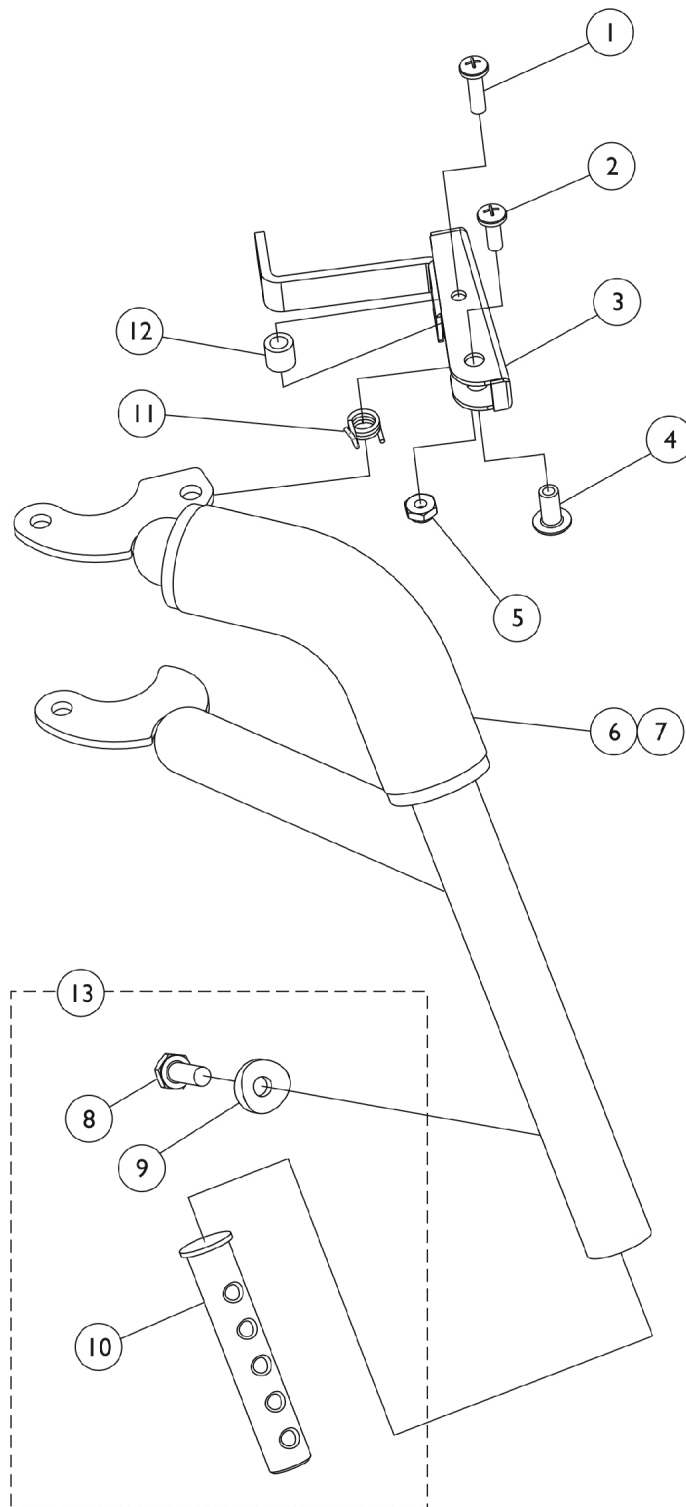


## PW93 Footrest Supports

Item Number	Note	Part Number	Description	Quantity Per	
				Package	Assembly
1		1020719	Anti-Rattle, Black	1	1
2		47565X057	Bushing (7/32 x 3/8 x 11/32")	1	1
3		1025716	Screw, Phillips Pan Head (#10-32 x 11/16")	1	1
4		1026114	Screw, Phillips Pan Head (#10-32 x 1/2")	1	1
5		1035539	Handle, Release, Black - Right	1	1
5		1035540	Handle, Release, Black - Left	1	1
6		1025735	Locknut (#10-32)	1	1
7		1028846-NLA	NLA - Rivnut (#10-32)	1	1
8		1028707	Spring, Release - Right	1	1
8		1028708	Spring, Release - Left	1	1
9		15680X012	Collar, Anti-Rattle (7/8")	1	1
10		1070759	Screw, Hex Head (1/4-20 x 1-1/2")	1	1
11		1026099	Spacer, Coved (1/4 x 11/16 x 1/2")	1	2
12		1044214	Nut, Hex with Nylon Cap (1/4-20)	1	1
13	D	1020534	Insert, Threaded	1	1
14	C	1074143	Kit, Slide Tube Mounting Hardware	1	1
	A,B	8881070776	Footrest Support Assembly, Adult, Color - Right	1	1
	A,B	8881070777	Footrest Support Assembly, Adult, Color - Left	1	1

NOTE: A - Not Shown  
 B - Specify frame finish when ordering. See page titled "Frame Finishes, Touch-Up Paints and Upholstery Colors."  
 C - Per Side  
 D - As of 8/15/03, the Threaded Insert was revised from 3 to 5 Holes. Threaded Insert is Backward Compatible and does not require ordering in Pairs.

# P93ST Footrest Supports

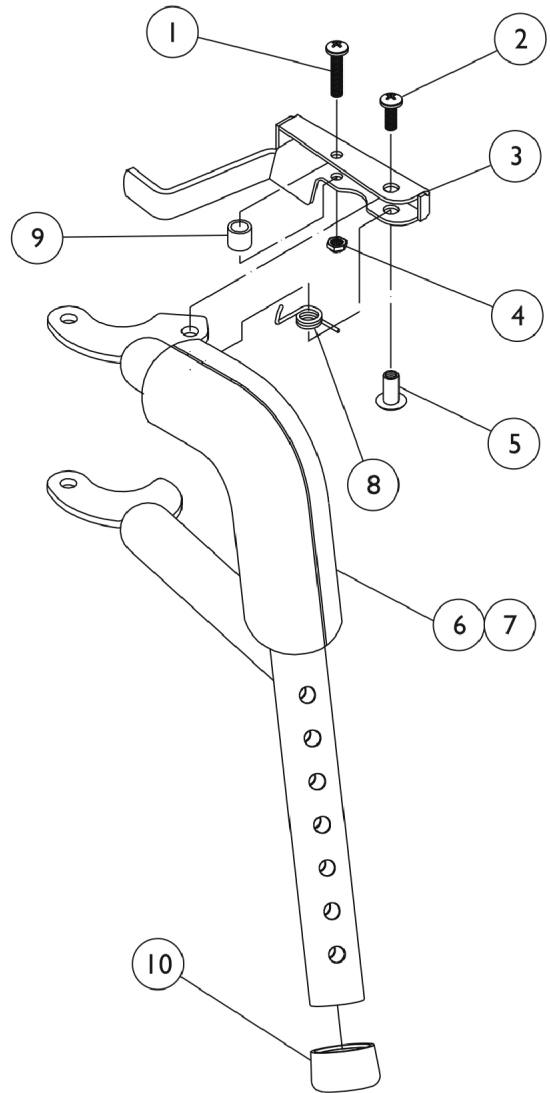
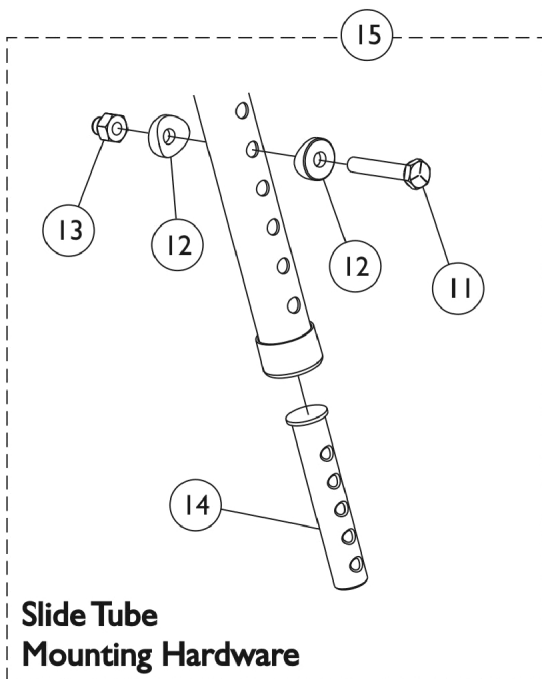


## P93ST Footrest Supports

Item Number	Note	Part Number	Description	Quantity Per	
				Package	Assembly
1		1025716	Screw, Phillips Pan Head (#10-32 x 11/16")	1	1
2		1026114	Screw, Phillips Pan Head (#10-32 x 1/2")	1	1
3		1035539	Handle, Release, Black - Right	1	1
3		1035540	Handle, Release, Black - Left	1	1
	A,B	1006490	Tip, Plastic, Black	1	1
	A,B	1026107	Screw, Phillips Pan Head (#10-32 x 1-3/8")	1	1
	A,B	1028485-NLA	NLA - Nut, Hex (#10-32)	1	1
4		1028846-NLA	NLA - Rivnut (#10-32)	1	1
5		1025735	Locknut (#10-32)	1	1
6		1030434-NLA	NLA - Cushion, Tubular Foam	1	1
7		1030435-NLA	NLA - Cover, Foam Cushion	1	1
8		1045267	Screw, Hex Head w/ Patch (1/4-20 x 3/4")	1	1
9		1026099	Spacer, Coved (1/4 x 11/16 x 1/2")	1	1
10	D	1020534	Insert, Threaded	1	1
11		1028707	Spring, Release - Right	1	1
11		1028708	Spring, Release - Left	1	1
12		1031884-NLA	NLA - Bushing, Black or Color Chairs (9/32 x 3/8 x 11/32")	1	1
13		1026703	Kit, Pivot/Slide Tube Mounting Hardware (Pair)	1	1
	B,C	8881058475-NL A	NLA - Footrest Support Assembly, Adult, Color - Right	1	1
	B,C	8881058474-NL A	NLA - Footrest Support Assembly, Adult, Color - Left	1	1
	B	1058477-NLA	NLA - Footrest Support Assembly, Adult, Chrome - Right	1	1
	B	1058476-NLA	NLA - Footrest Support Assembly, Adult, Chrome - Left	1	1

NOTE: A - Due to design change of Release Handle, these items are no longer used after 9/30/00.  
 B - Not Shown  
 C - Specify frame finish when ordering. See page titled "Frame Finishes, Touch-Up Paints and Upholstery Colors."  
 D - As of 8/15/03, the Threaded Insert was revised from 3 to 5 Holes. Threaded Insert is Backward Compatible and does not require ordering in Pairs.

# PW93ST Footrest Supports

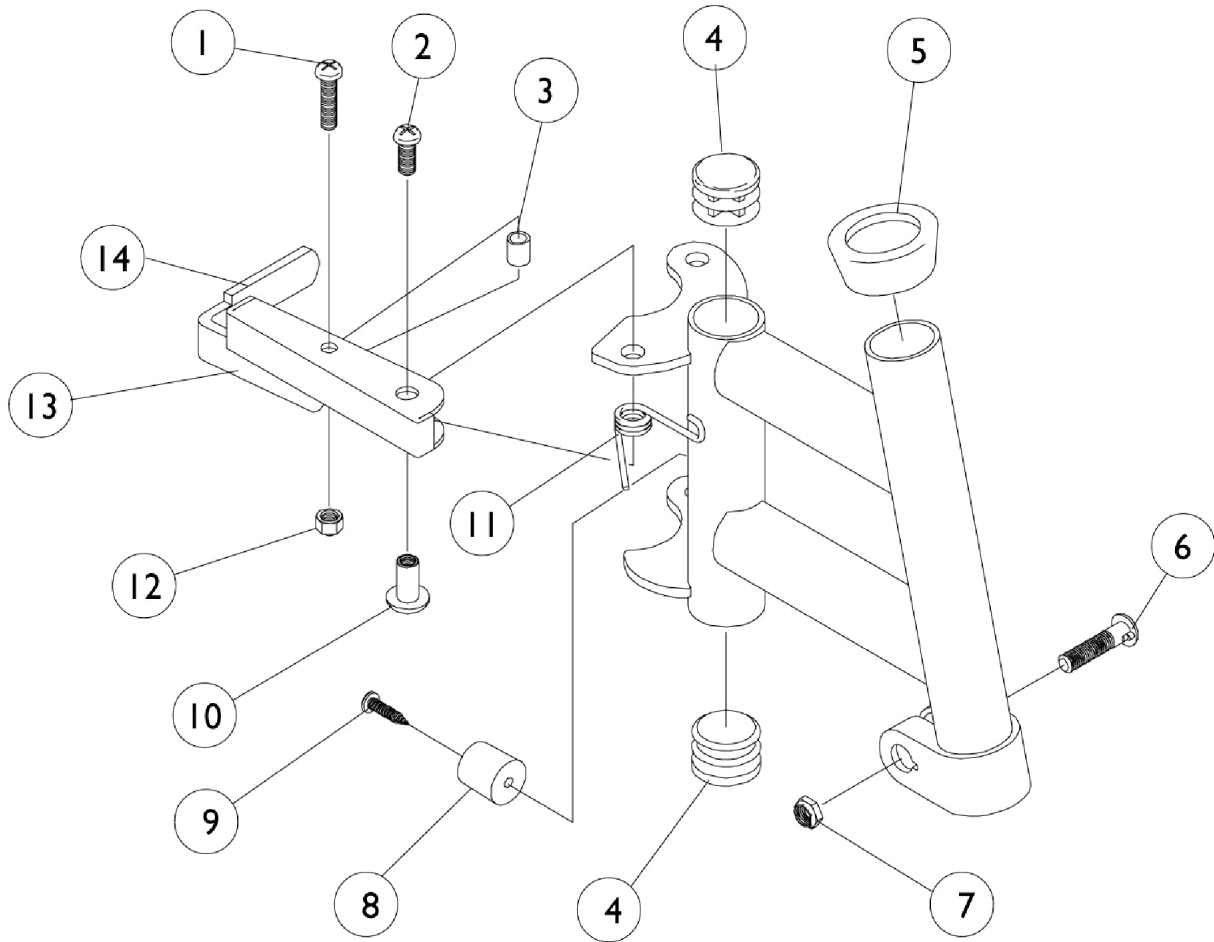


## PW93ST Footrest Supports

Item Number	Note	Part Number	Description	Quantity Per	
				Package	Assembly
1		1025716	Screw, Phillips Pan Head (#10-32 x 11/16")	1	1
2		1026114	Screw, Phillips Pan Head (#10-32 x 1/2")	1	1
3		1035539	Handle, Release, Black - Right	1	1
3		1035540	Handle, Release, Black - Left	1	1
4		1025735	Locknut (#10-32)	1	1
5		1028846-NLA	NLA - Rivnut (#10-32)	1	1
6		1030434-NLA	NLA - Cushion, Tubular Foam	1	1
7		1030435-NLA	NLA - Cover, Foam Cushion	1	1
8		1028707	Spring, Release - Right	1	1
8		1028708	Spring, Release - Left	1	1
9		47565X057	Bushing (7/32 x 3/8 x 11/32")	1	1
10		15680X012	Collar, Anti-Rattle (7/8")	1	1
11		1070759	Screw, Hex Head (1/4-20 x 1-1/2")	1	1
12		1026099	Spacer, Coved (1/4 x 11/16 x 1/2")	1	2
13		1044214	Nut, Hex with Nylon Cap (1/4-20)	1	1
14	D	1020534	Insert, Threaded	1	1
15		1074143	Kit, Slide Tube Mounting Hardware	1	1
	A,B	1026107	Screw, Phillips Pan Head (#10-32 x 1-3/8")	1	1
	A,B	1028485-NLA	NLA - Nut, Hex (#10-32)	1	1
	A,B	1006490	Tip, Plastic, Black	1	1
	A,C	8881070784-NL A	NLA - Footrest Support Assembly, Adult, Color - Right	1	1
	A,C	8881070785-NL A	NLA - Footrest Support Assembly, Adult, Color - Left	1	1

NOTE: A - Not Shown  
 B - Before 10/1/00 only.  
 C - Specify frame finish when ordering. See page titled "Frame Finishes, Touch-Up Paints and Upholstery Colors."  
 D - As of 8/15/03, the Threaded Insert was revised from 3 to 5 Holes. Threaded Insert is Backward Compatible and does not require ordering in Pairs.

# P93E Supports

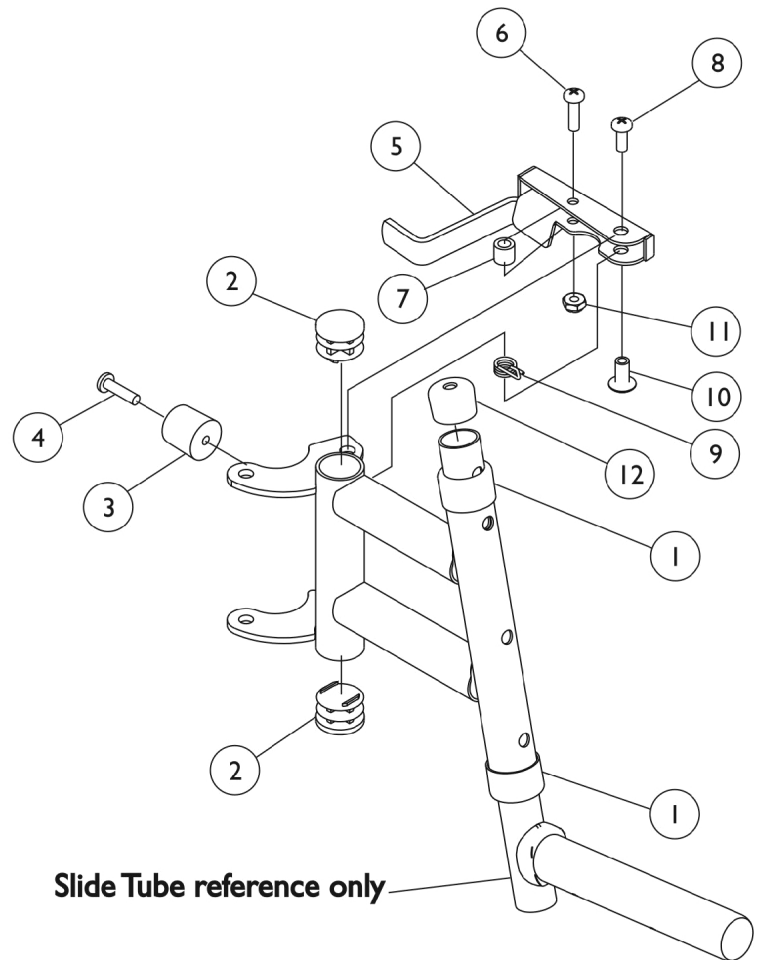
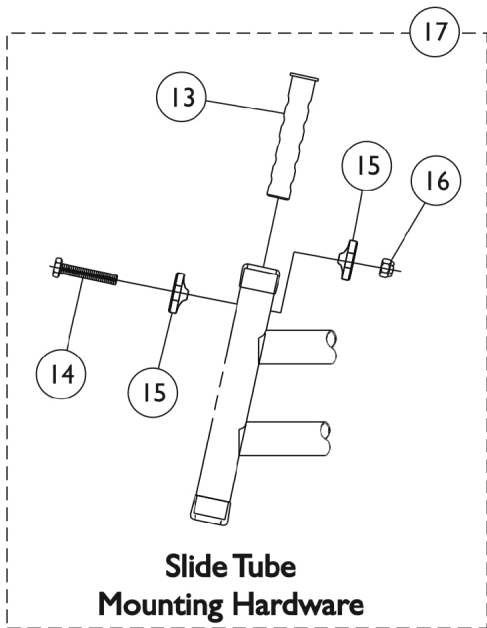


## P93E Supports

Item Number	Note	Part Number	Description	Quantity Per	
				Package	Assembly
1		40163X008	Screw, Phillips Pan Head (#10-32 x 11/16")	1	1
2		40163X002	Screw, Phillips Round Head (#10-32 x 1/2")	1	1
3		47565X057	Bushing (7/32 x 3/8 x 11/32")	1	1
4		1027095	Plug Button, Black (7/8")	1	1
5		15680X012	Collar, Anti-Rattle (7/8")	1	1
6		11232X009	Bolt, Lug (5/16-24 x 1-3/8")	1	1
7		1107321	Nut, Low Cap (5/16"-24)	1	1
8		1022874	Bumper	1	1
9		1030979	Screw, Phillips Pan Head Tap (#10-32 x 3/4")	1	1
10		67005X000	Rivnut (#10-32)	1	1
11		1008935	Spring, Release - Right	1	1
11		1008936	Spring, Release - Left	1	1
12		60279X003	Locknut (#10-32)	1	1
13		1023428-NLA	NLA - Handle, Release, Black- Right	1	1
13		1023431-NLA	NLA - Handle, Release, Black- Left	1	1
14	A	1006490	Tip, Plastic, Black	1	1
	B,C	8881037691-NL A	NLA - Footrest Support Assembly, Adult, Color - Right	1	1
	B,C	8881037692-NL A	NLA - Footrest Support Assembly, Adult, Color - Left	1	1
	C	1030994-NLA	NLA - Footrest Support Assembly, Adult, Chrome - Right	1	1
	C	1030995-NLA	NLA - Footrest Support Assembly, Adult, Chrome - Left	1	1

NOTE: A - Before 10/1/00 Only  
 B - Specify frame finish when ordering. See page titled "Frame Finishes, Touch-Up Paints and Upholstery Colors."  
 C - Not Shown

# PW93E Footrest Supports



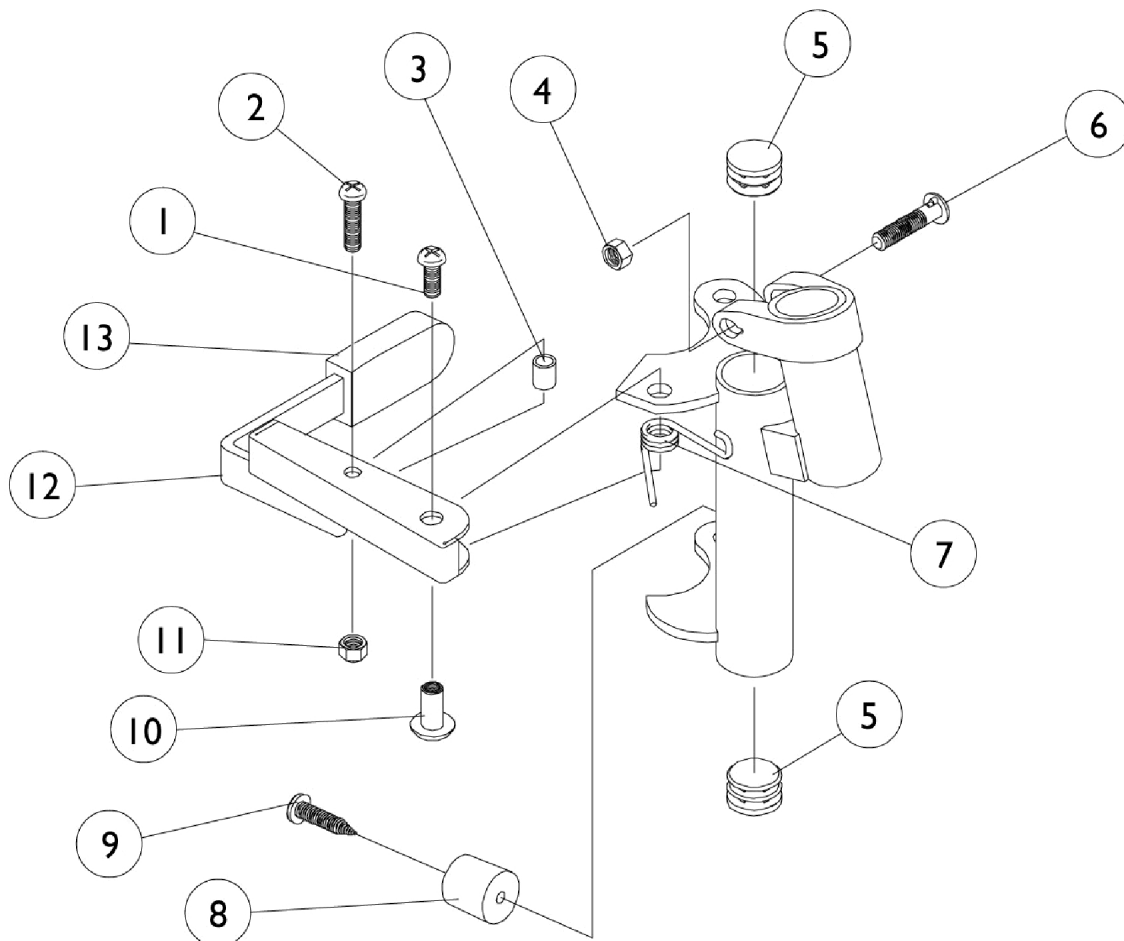


## PW93E Footrest Supports

Item Number	Note	Part Number	Description	Quantity Per	
				Package	Assembly
1		15680X012	Collar, Anti-Rattle (7/8")	1	2
2		1027095	Plug Button, Black (7/8")	1	2
3		1022874	Bumper	1	1
4		1030979	Screw, Phillips Pan Head Tap (#10-32 x 3/4")	1	1
5		1035539	Handle, Release, Black - Right	1	1
5		1035540	Handle, Release, Black - Left	1	1
6		1025716	Screw, Phillips Pan Head (#10-32 x 11/16")	1	1
7		47565X057	Bushing (7/32 x 3/8 x 11/32")	1	1
8		1026114	Screw, Phillips Pan Head (#10-32 x 1/2")	1	1
9		1028707	Spring, Release - Right	1	1
9		1028708	Spring, Release - Left	1	1
10		1028846-NLA	NLA - Rivnut (#10-32)	1	1
11		1025735	Locknut (#10-32)	1	1
12		1074108	Cap, End Tube, Black (3/4")	1	1
13	D	1020534	Insert, Threaded	1	1
14		1070759	Screw, Hex Head (1/4-20 x 1-1/2")	1	1
15		1026099	Spacer, Coved (1/4 x 11/16 x 1/2")	1	2
16		1044214	Nut, Hex with Nylon Cap (1/4-20)	1	1
17	C	1074143	Kit, Slide Tube Mounting Hardware	1	1
	A,B	8881070768-NL A	NLA - Footrest Support Assembly, Adult, Color - Right	1	1
	A,B	8881070769-NL A	NLA - Footrest Support Assembly, Adult, Color - Left	1	1

NOTE: A - Specify frame color when ordering. See page titled "Frame Finishes, Touch-Up Paints and Upholstery Colors."  
 B - Not Shown  
 C - Per Side  
 D - As of 8/15/03, the Threaded Insert was revised from 3 to 5 Holes. Threaded Insert is Backward Compatible and does not require ordering in Pairs.

# P93M Footrest Supports

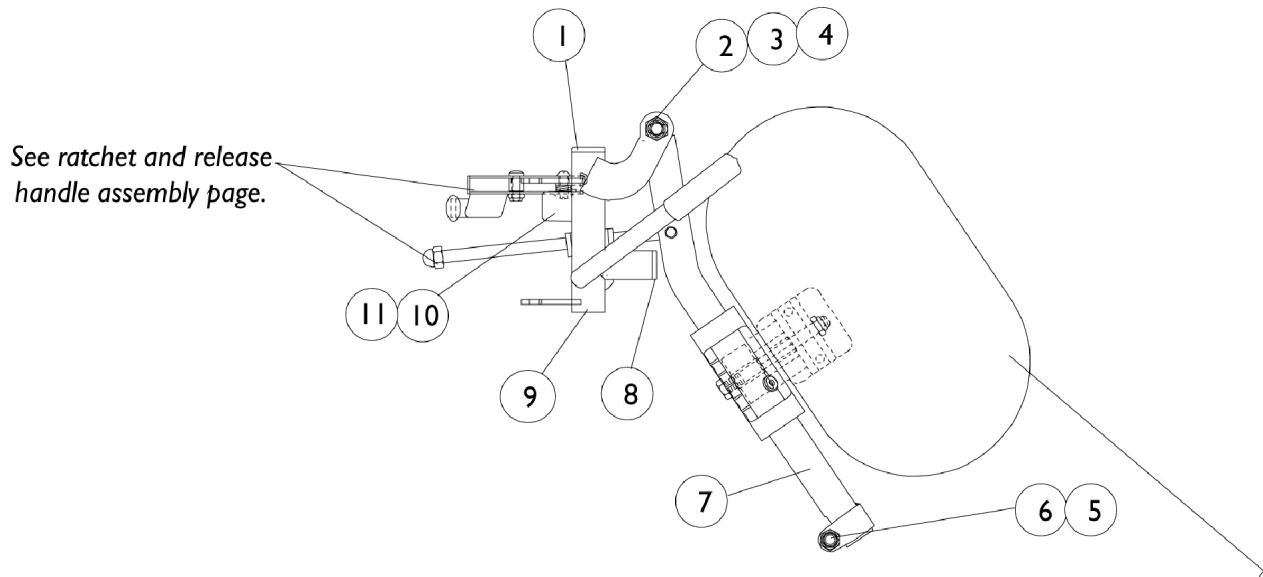


## P93M Footrest Supports

Item Number	Note	Part Number	Description	Quantity Per	
				Package	Assembly
1		40163X002	Screw, Phillips Round Head (#10-32 x 1/2")	1	1
2		40163X008	Screw, Phillips Pan Head (#10-32 x 11/16")	1	1
3		47565X057	Bushing (7/32 x 3/8 x 11/32")	1	1
4		1107321	Nut, Low Cap (5/16"-24)	1	1
5		1027095	Plug Button, Black (7/8")	1	2
6		11232X009	Bolt, Lug (5/16-24 x 1-3/8")	1	1
7		1008935	Spring, Release - Right	1	1
7		1008936	Spring, Release - Left	1	1
8		1022874	Bumper	1	1
9		1030979	Screw, Phillips Pan Head Tap (#10-32 x 3/4")	1	1
10		67005X000	Rivnut (#10-32)	1	1
11		60279X003	Locknut (#10-32)	1	1
12		1035539	Handle, Release, Black - Right	1	1
12		1035540	Handle, Release, Black - Left	1	1
13	C	1006490	Tip, Plastic, Black	1	1
	A,B	8881037836-NL A	NLA - Footrest Support Assembly, Adult, Color - Right	1	1
	A,B	8881037837-NL A	NLA - Footrest Support Assembly, Adult, Color - Left	1	1
	B	1031191-NLA	NLA - Footrest Support Assembly, Adult, Chrome - Right	1	1
	B	1031192-NLA	NLA - Footrest Support Assembly, Adult, Chrome - Left	1	1

NOTE: A - Specify frame finish when ordering. See page titled "Frame Finishes, Touch-Up Paints and Upholstery Colors."  
 B - Not Shown  
 C - Before 10/1/00 only.

# P904A Legrest Supports



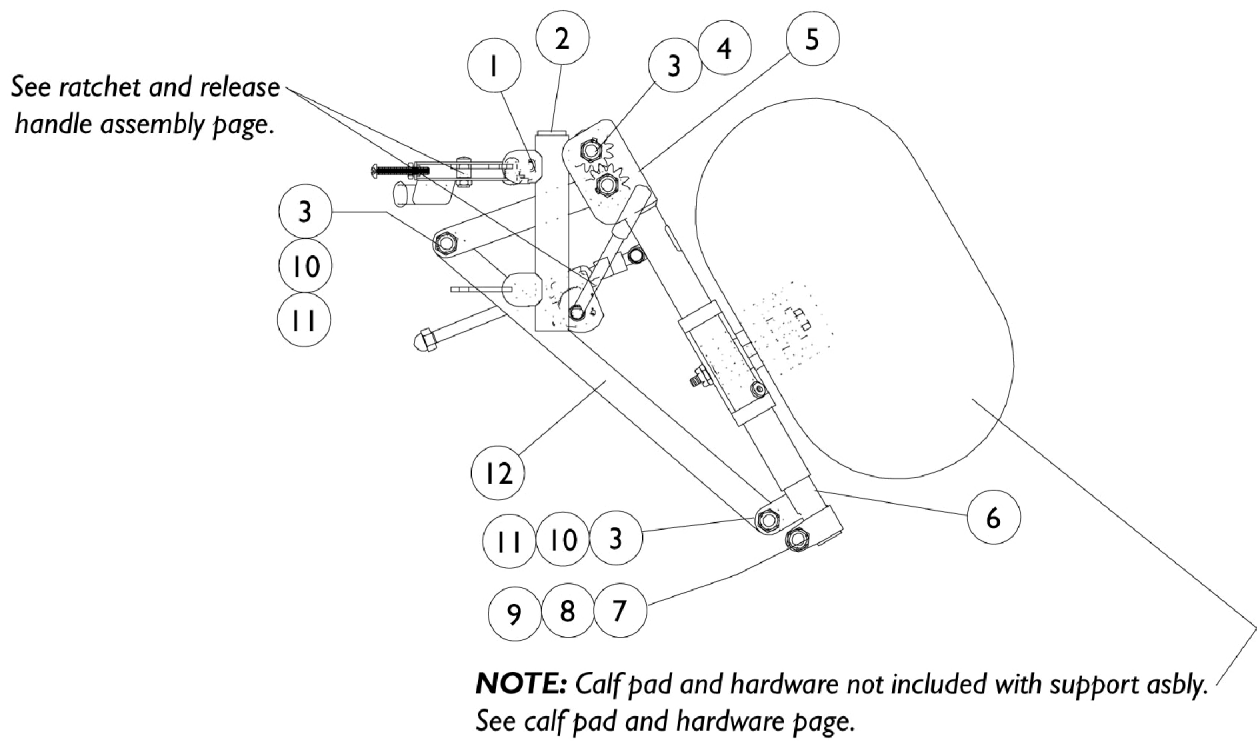
**NOTE:** Calf pad and hardware not included with support assembly. See calf pad and hardware page.

## P904A Legrest Supports

Item Number	Note	Part Number	Description	Quantity Per	
				Package	Assembly
1		1027095	Plug Button, Black (7/8")	1	1
2		11919X000-NLA	NLA - Screw, Slotted Truss Head (3/8-16 x 1-1/2")	1	1
3		1058636-NLA	NLA - Washer, Nylon (25/64 x 7/8 x 1/32")	1	2
4		40363X000	Hex Nut (3/8"-16)	1	1
5		1025730	Locknut (5/16-24)	1	1
6		1026030	Bolt, Lug (5/16-24 x 1-3/8")	1	1
7		04526X040-NLA	NLA - Tube, Elevating Support, Chrome - Right	1	1
7		04526X041-NLA	NLA - Tube, Elevating Support, Chrome - Left	1	1
7	A	8881048851	Tube, Elevating Adjustable Support, Color - Right	1	1
7	A	8881048852	Tube, Elevating Adjustable Support, Color - Left	1	1
8		1027097	Plug Button, Black (3/4")	1	1
9		1058484-NLA	NLA - Tube, Legrest Support, Chrome - Right	1	1
9		1058485-NLA	NLA - Tube, Legrest Support, Chrome - Left	1	1
9	A	8881058664-NL A	NLA - Tube, Legrest Support, Color - Right	1	1
9	A	8881058665-NL A	NLA - Tube, Legrest Support, Color - Left	1	1
10		1022874	Bumper	1	1
11		1030979	Screw, Phillips Pan Head Tap (#10-32 x 3/4")	1	1
	A,B	8881058646-NL A	NLA - Legrest Support Assembly, Adult, Color - Right	1	1
	A,B	8881058647-NL A	NLA - Legrest Support Assembly, Adult, Color - Left	1	1
	B,C	1058488-NLA	NLA - Legrest Support Assembly, Adult, Silver Vein - Right	1	1
	B,C	1058489-NLA	NLA - Legrest Support Assembly, Adult, Silver Vein - Left	1	1

NOTE: A - Specify frame finish when ordering. See page titled "Frame Finishes, Touch-Up Paints and Upholstery Colors."  
 B - Not Shown  
 C - As of 7/6/07, chrome finish option is discontinued and no longer available.

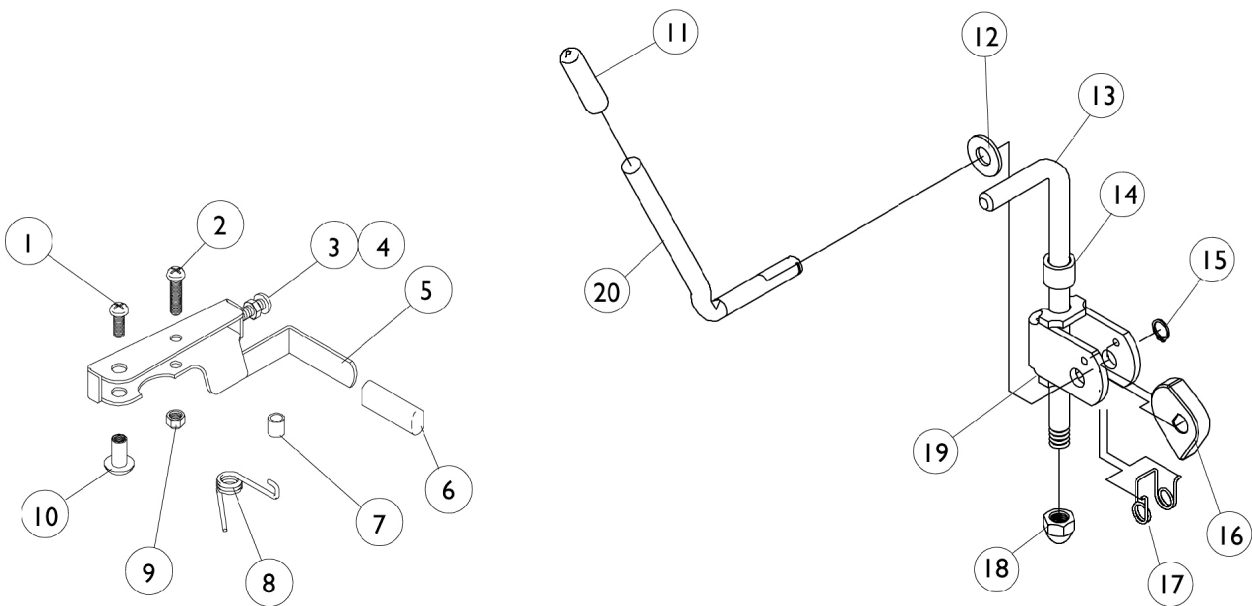
# PAS4A/PAL4A Articulating Legrests



## PAS4A/PAL4A Articulating Legrests

Item Number	Note	Part Number	Description	Quantity Per	
				Package	Assembly
1		1058478-NLA	NLA - Tube, Legrest Support - Right	1	1
1		1058479-NLA	NLA - Tube, Legrest Support - Left	1	1
2		1027097	Plug Button, Black (3/4")	1	1
3		40363X000	Hex Nut (3/8"-16)	1	3
4		1022854-NLA	NLA - Screw, Shoulder Slotted Head (1/2 x 1-1/8", 3/8-16)	1	1
5		1022877-NLA	NLA - Tube, Support and Drive Link, Chrome - Right	1	1
5		1022878-NLA	NLA - Tube, Support and Drive Link, Chrome - Left	1	1
6		1022848	Tube, Slide, Articulating, Chrome - Right	1	1
6		1022849	Tube, Slide, Articulating, Chrome - Left	1	1
7		1027377	Washer (#20)	1	1
8		60264X001	Locknut (5/16-24)	1	1
9		11232X009	Bolt, Lug (5/16-24 x 1-3/8")	1	1
10		1022866-NLA	NLA - Screw, Socket Button Head (3/8-16 x 3/4")	1	2
11		1049527	Washer, Nylon (3/8 x 3/4 x 1/16")	1	2
12		1022846-NLA	NLA - Bar, Link, Black	1	1
	A,B	1058482-NLA	NLA - Legrest Support Assembly, Articulating, Adult, Chrome - Right	1	1
	A,B	1058483-NLA	NLA - Legrest Support Assembly, Articulating, Adult, Chrome - Left	1	1
NOTE: A - Not Shown B - 14-20" Wide					

# Legrest Release Handles and Ratchet Assembly



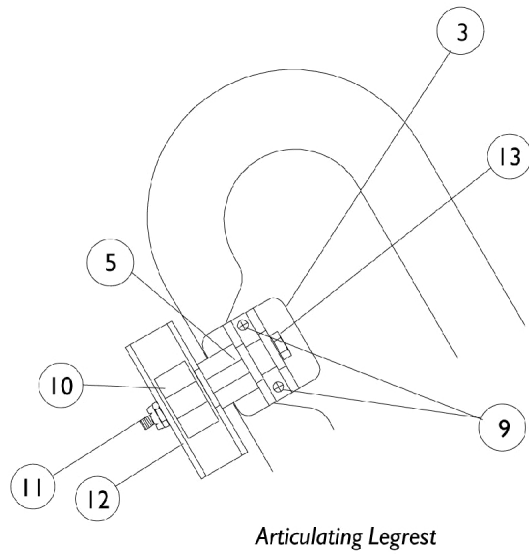
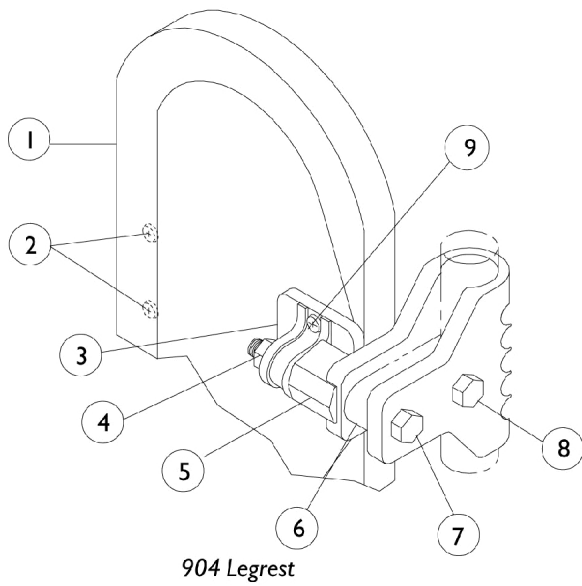


## Legrest Release Handles and Ratchet Assembly

Item Number	Note	Part Number	Description	Quantity Per	
				Package	Assembly
1		1025716	Screw, Phillips Pan Head (#10-32 x 11/16")	1	1
2		1026114	Screw, Phillips Pan Head (#10-32 x 1/2")	1	1
3	A	1026107	Screw, Phillips Pan Head (#10-32 x 1-3/8")	1	1
4	A	1028485-NLA	NLA - Nut, Hex (#10-32)	1	1
5		1035539	Handle, Release, Black - Right	1	1
5		1035540	Handle, Release, Black - Left	1	1
6	A	1006490	Tip, Plastic, Black	1	1
7		47565X057	Bushing (7/32 x 3/8 x 11/32")	1	1
8		1028707	Spring, Release - Right	1	1
8		1028708	Spring, Release - Left	1	1
9		1023260	Screw (M8 x 1.25 x 20mm)	1	1
10		1028846-NLA	NLA - Rivnut (#10-32)	1	1
11		1040060	Tip, Plastic, Black	1	1
12		1013519	Washer, Nylon (5/16 x 11/16 x 1/16")	1	1
13	B	42326X004	Bar, Ratchet - Right/Left	1	1
13	C	1023811-NLA	NLA - Bar, Ratchet - Right	1	1
13	C	1023812-NLA	NLA - Bar, Ratchet - Left	1	1
14		47330X003	Spacer (5/16 x 1/2 x 3/8")	2	2
15		1040831	Ring, Snap	1	1
16		1037125	Cam, Legrest	1	1
17		1037485	Spring, Release	1	1
18		10261X000	Nut, Acorn (5/16-24)	1	1
19		04528X002	Bracket, Release, Black	1	1
20		1037126	Handle, Release	1	1
NOTE: A - Before 10/1/00 only. B - For 904 Legrests C - For Articulating Legrests					

# Calf Pads and Attaching Hardware

Due to a change to the Legrest Calf Pad size made on 4/23/12, you must also order the hardware kit (1066591) when ordering replacement Calf Pads.



# Calf Pads and Attaching Hardware

Due to a change to the Legrest Calf Pad size made on 4/23/12, you must also order the hardware kit (1066591) when ordering replacement Calf Pads.

Item Number	Note	Part Number	Description	Quantity Per	
				Package	Assembly
1	A,B,G	88804529X003	Pad, Legrest, Vinyl - Right	1	1
1	A,B,G	88804529X004	Pad, Legrest, Vinyl - Left	1	1
1	A,C,D, G	1091767-NLA	NLA - Pad with Screws, Legrest (Pair)	2	1
1	A,C,E, G	8881091764	Pad, Legrest, Vinyl - Right/Left	1	1
1		01415X000-NLA	NLA - Cover, Legrest Pad	1	1
2		40163X006-NLA	NLA - Screw, Phillips Pan Head (#10-14 x 1/16")	1	1
3		04526X019	Plate, Legrest Pad	1	1
4		1025730	Locknut (5/16-24)	1	1
5		1025133	Spacer, Legrest Pad, Black	1	1
6		1032267	Spacer, Legrest Pad Mounting, Black	1	1
7		1037110	Screw, Hex Head (5/16-24 x 3-1/2")	1	1
8		1028514	Screw, Hex Head (5/16-24 x 1-1/2")	1	1
9	F	1066591	Hardware, Legrest Pad	1	1
			Screw, Phillips Pan Head (#10-32 x 11/16")	1	2
			Screw, Phillips Pan Head (#10-32 x 1")	1	2
			Instruction Sheet, Legrest Pad Mtg.	1	1
10		48823X008	Spring, Leaf	1	1
11		60264X001	Locknut (5/16-24)	1	1
12		1025104	Bracket, Legrest, Chrome	1	1
13		1014807	Screw, Hex Head (5/16-24 x 3-1/4")	1	1

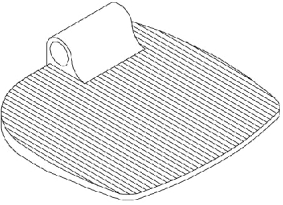
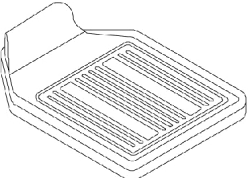
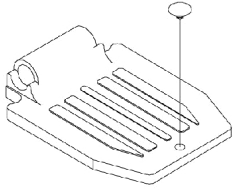
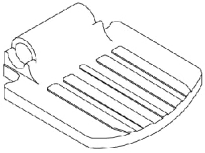
NOTE: A - Specify upholstery color when ordering. See page titled "Frame Finishes, Touch-Up Paints and Upholstery Colors."  
 B - 14-15" Wide  
 C - 16-20" Wide  
 D - Before 9/5/00  
 E - After 9/4/00  
 F - Includes Screws and Instruction Sheet.  
 G - Due to a change to the Legrest Calf Pad size made on 4/23/12, you must also order the hardware kit (1066591) when ordering replacement Calf Pads.

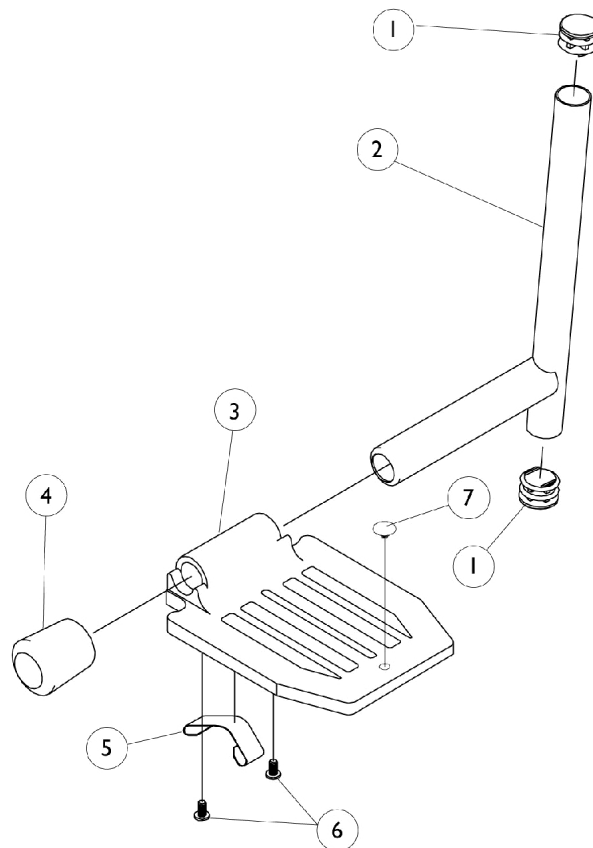
# Pivot/ Slide Tube and Footplate

## P93, P93E, P93M

**NOTE:** Heel loops are not included. See page titled "Footrest and Legrest Accessories".

**NOTE:** For complete pivot/slide tube and footplate assemblies, see page titled "Front Riggings Reference Chart".

			
1350 Extra large	1450 Deluxe	16" to 20" Wide	14" Wide



# Pivot/ Slide Tube and Footplate

## P93, P93E, P93M

**NOTE: Heel loops are not included. See page titled "Footrest and Legrest Accessories".**

**NOTE: For complete pivot/slide tube and footplate assemblies, see page titled "Front Riggings Reference Chart".**

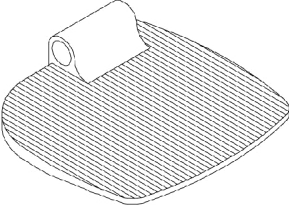
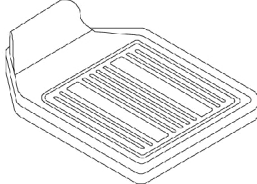
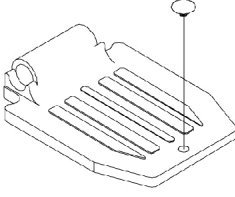
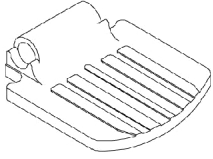
Item Number	Note	Part Number	Description	Quantity Per	
				Package	Assembly
1		1027097	Plug Button, Black (3/4")	1	1
2	D,E,B	1041527	Pivot/Slide Tube w/ Plug Button, Black	1	1
2	E	1086479-NLA	NLA - Pivot/Slide Tube w/ Plug Button, Black (2" Longer)	1	1
2	E	1086480-NLA	NLA - Pivot/Slide Tube w/ Plug Button, Black (4" Longer)	1	1
2		1041525-NLA	NLA - Pivot/Slide Tube w/ Plug Button, Deluxe Aluminum, Black	1	1
3	C	44200X059	Footplate, Aluminum, Small, Black (6-3/4" W x 6" L)	1	1
3	A	44200X027	Footplate, Aluminum, Medium, Black (7-3/4" W x 6" L)	1	1
3		1043659-NLA	NLA - Footplate, Aluminum, Deluxe, Black - Right (8" W x 5-3/4" L)	1	1
3		1043660-NLA	NLA - Footplate, Aluminum, Deluxe, Black - Left (8" W x 5-3/4" L)	1	1
3	C	1002343	Footplate, Aluminum, Extra Large, Black - Right (7" W x 8-1/2" L)	1	1
3	C	1002344	Footplate, Aluminum, Extra Large, Black - Left (7" W x 8-1/2" L)	1	1
3		44200X025	Footplate, Aluminum, Extra Large, Black - Right (8" W x 8-1/2" L)	1	1
3		44200X026	Footplate, Aluminum, Extra Large, Black - Left (8" W x 8-1/2" L)	1	1
4	D	1016346	Cap, End, Tube, Black (7/8")	1	1
4	E	1027095	Plug Button, Black (7/8")	1	1
5	D	1006981	Spring, Tension	1	1
5	B	1036120-NLA	NLA - Spring	1	2
5	E,F	1036123	Spring, Leaf	1	1
6		40120X001	Screw, Phillips Pan Head (#8-32 x 3/8")	1	2
7		1070168	Plug, Push, Footplate	1	1

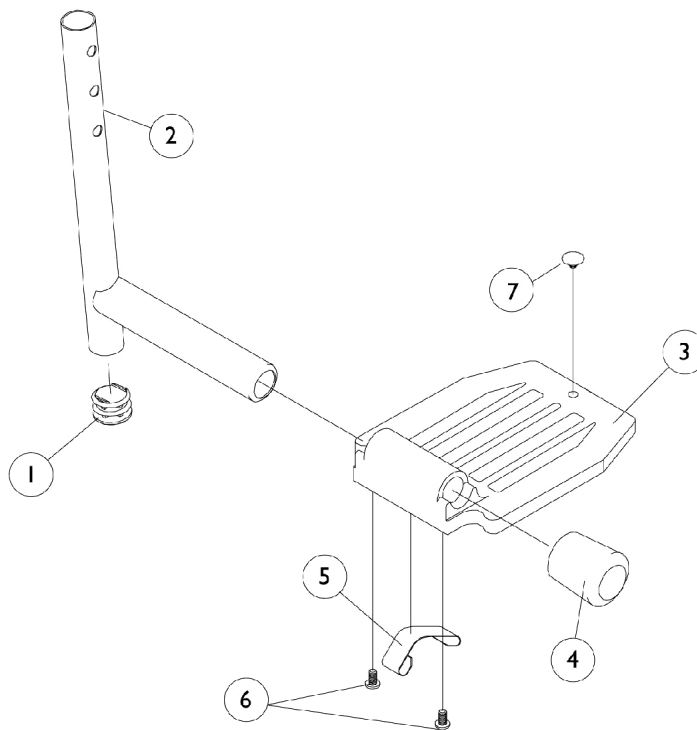
**NOTE:** A - Aluminum footplates on chairs built before 2/96 had a "Bright aluminum" finish. Footplates after 1/96 now have a black finish. When replacing 1 Bright aluminum footplate, it is suggested that 2 new (black) footplates are ordered.  
 B - Deluxe Aluminium Footplate  
 C - 14" Wide  
 D - Standard Aluminium Footplate  
 E - Extra Large Aluminium Footplate  
 F - Use one or more leaf springs per assembly as required such that footplate may be moved by hand to the up-right position and remain in place.

# Pivot/ Slide Tube and Footplate PW93, PW93E

**NOTE:** Heel loops are not included. See page titled "Footrest and Legrest Accessories".

**NOTE:** For complete pivot/slide tube and footplate assemblies, see page titled "Front Riggings Reference Chart".

			
1350 Extra large	1450 Deluxe	16" to 20" Wide Standard Alum.	14" Wide Standard Alum.



# Pivot/ Slide Tube and Footplate

## PW93, PW93E

**NOTE: Heel loops are not included. See page titled "Footrest and Legrest Accessories".**

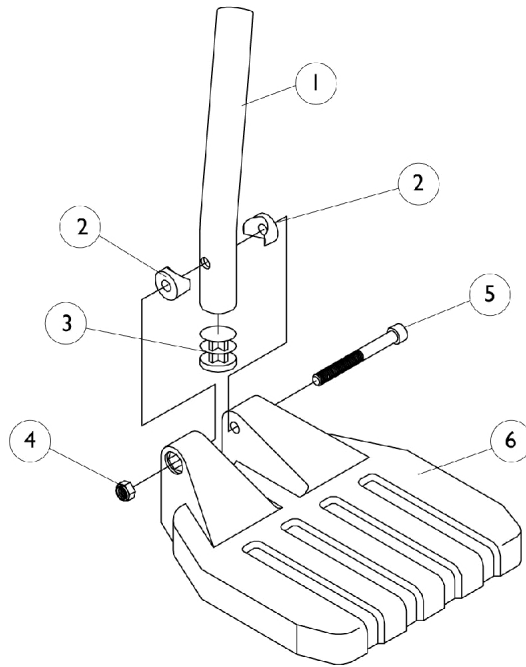
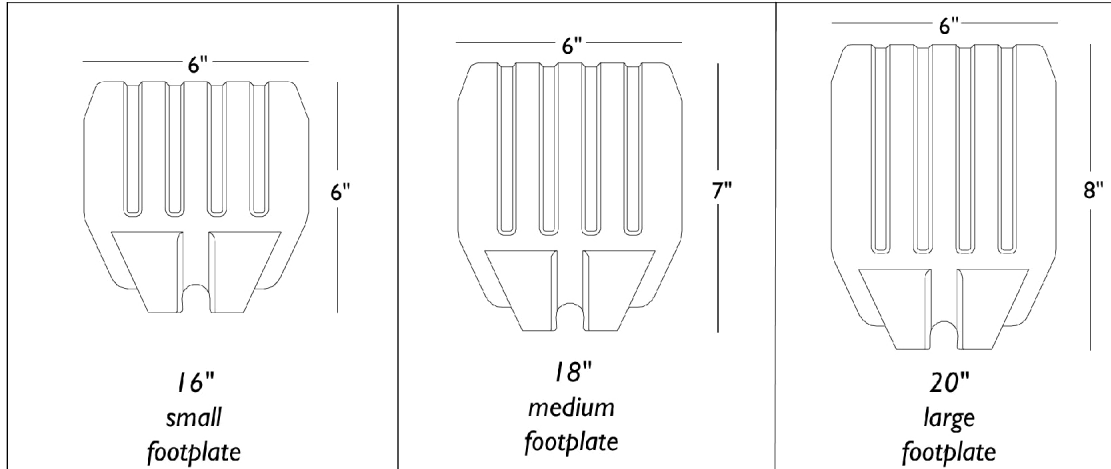
**NOTE: For complete pivot/slide tube and footplate assemblies, see page titled "Front Riggings Reference Chart".**

Item Number	Note	Part Number	Description	Quantity Per	
				Package	Assembly
1		1027097	Plug Button, Black (3/4")	1	1
2	A,B	1048834	Pivot/Slide Tube w/ Plug Button, Black	1	1
2	A,B	1098906	Pivot/Slide Tube w/ Plug Button, Black (2" Longer)	1	1
2	A,B	1086482	Pivot/Slide Tube w/ Plug Button, Black (4" Longer)	1	1
2	C	1070762-NLA	NLA - Tube, Pivot/Slide w/ Plug Button, Deluxe Aluminum, Black	1	1
3	D	44200X059	Footplate, Aluminum, Small, Black (6-3/4" W x 6" L)	1	1
3	E	44200X027	Footplate, Aluminum, Medium, Black (7-3/4" W x 6" L)	1	1
3	F	1002343	Footplate, Aluminum, Extra Large, Black - Right (7" W x 8-1/2" L)	1	1
3	F	1002344	Footplate, Aluminum, Extra Large, Black - Left (7" W x 8-1/2" L)	1	1
3	G	44200X025	Footplate, Aluminum, Extra Large, Black - Right (8" W x 8-1/2" L)	1	1
3	G	44200X026	Footplate, Aluminum, Extra Large, Black - Left (8" W x 8-1/2" L)	1	1
3	H	1043659-NLA	NLA - Footplate, Aluminum, Deluxe, Black - Right (8" W x 5-3/4" L)	1	1
3	H	1043660-NLA	NLA - Footplate, Aluminum, Deluxe, Black - Left (8" W x 5-3/4" L)	1	1
4	A	1016346	Cap, End, Tube, Black (7/8")	1	1
4	B	1027095	Plug Button, Black (7/8")	1	1
5	A	1006981	Spring, Tension	1	1
5	C	1036120-NLA	NLA - Spring	1	2
5	B,I	1036123	Spring, Leaf	1	1
6		40120X001	Screw, Phillips Pan Head (#8-32 x 3/8")	1	1
7		1070168	Plug, Push, Footplate	1	1
<p><b>NOTE:</b> A - For Standard Aluminium Footplates            B - For 1350 Extra Large Aluminium Footplates            C - For 1450 Deluxe Aluminium Footplates            D - For 14" wide with Standard Aluminum Footplates            E - For 16-20" wide with Standard Aluminum Footplates            F - For 14" wide with 1350 Extra Large Aluminum Footplates            G - For 16-20" wide with 1350 Extra Large Aluminum Footplates            H - For 16-20" wide with 1450 Deluxe Aluminum Footplates            I - Use one or more leaf springs per assembly as required such that footplate may be moved by hand to the up-right position and remain in place.</p>					

# Pivot/ Slide Tube and Footplate P93ST/PW93ST

NOTE: Heel loops are not included. See page titled "Footrest and Legrest Accessories".

NOTE: For complete pivot/slide tube and footplate assemblies, see page titled "Front Riggings Reference Chart".





## Pivot/ Slide Tube and Footplate P93ST/PW93ST

**NOTE: Heel loops are not included. See page titled "Footrest and Legrest Accessories".**

**NOTE: For complete pivot/slide tube and footplate assemblies, see page titled "Front Riggings Reference Chart".**

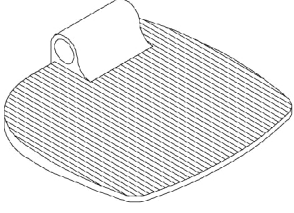
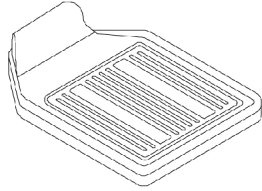
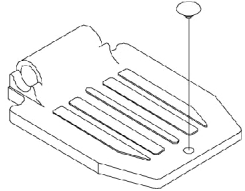
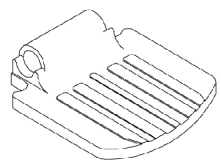
Item Number	Note	Part Number	Description	Quantity Per	
				Package	Assembly
1	D	1120382	Tube, Pivot/Slide, Curved End, Black - Long (9-7/8")	1	1
1	E	1057852	Tube, Pivot/Slide, Curved End, Steel, Black (9-7/8")	1	1
2		1025457	Spacer, Coved (1/4 x 3/4 x 11/32")	1	2
3		1027097	Plug Button, Black (3/4")	1	1
4		1025195	Locknut (1/4-20)	1	1
5		60285X006	Screw, Socket Head (1/4-20 x 2-1/4")	1	1
6	A	1026879	Footplate, Composite, Small, Black (6" W x 6" L)	1	1
6	B	1026880	Footplate, Composite, Medium, Black (7" W x 6" L)	1	1
6	C	1026881	Footplate, Composite, Large, Black (8" W x 6" L)	1	1
NOTE: A - For chairs 16" wide B - For chairs 18" wide C - For chairs 20" wide D - P93ST E - PW93ST					

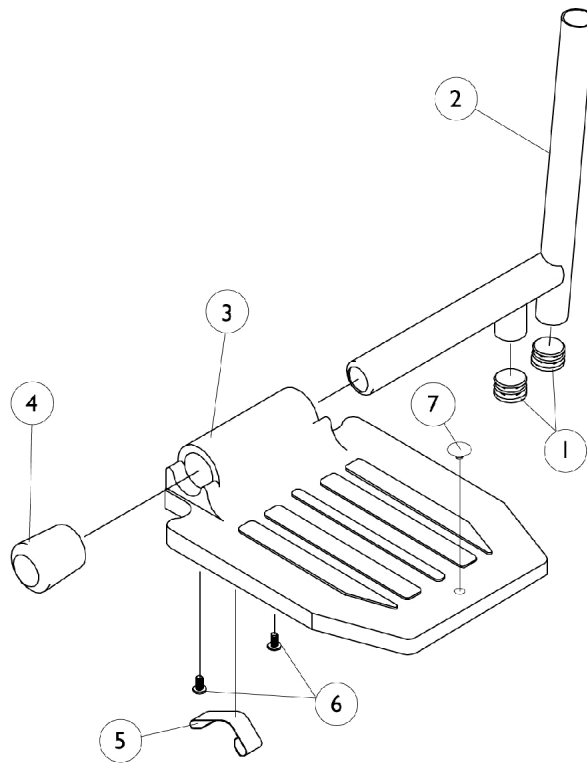
# Pivot/ Slide Tube and Footplate

## P904, PAL4A, PAS4A

NOTE: Heel loops are not included. See page titled "Footrest and Legrest Accessories".

NOTE: For complete pivot/slide tube and footplate assemblies, see page titled "Front Riggings Reference Chart".

			
1350 Extra large	1450 Deluxe	16" to 20" Wide	14" Wide



# Pivot/ Slide Tube and Footplate

## P904, PAL4A, PAS4A

**NOTE: Heel loops are not included. See page titled "Footrest and Legrest Accessories".**

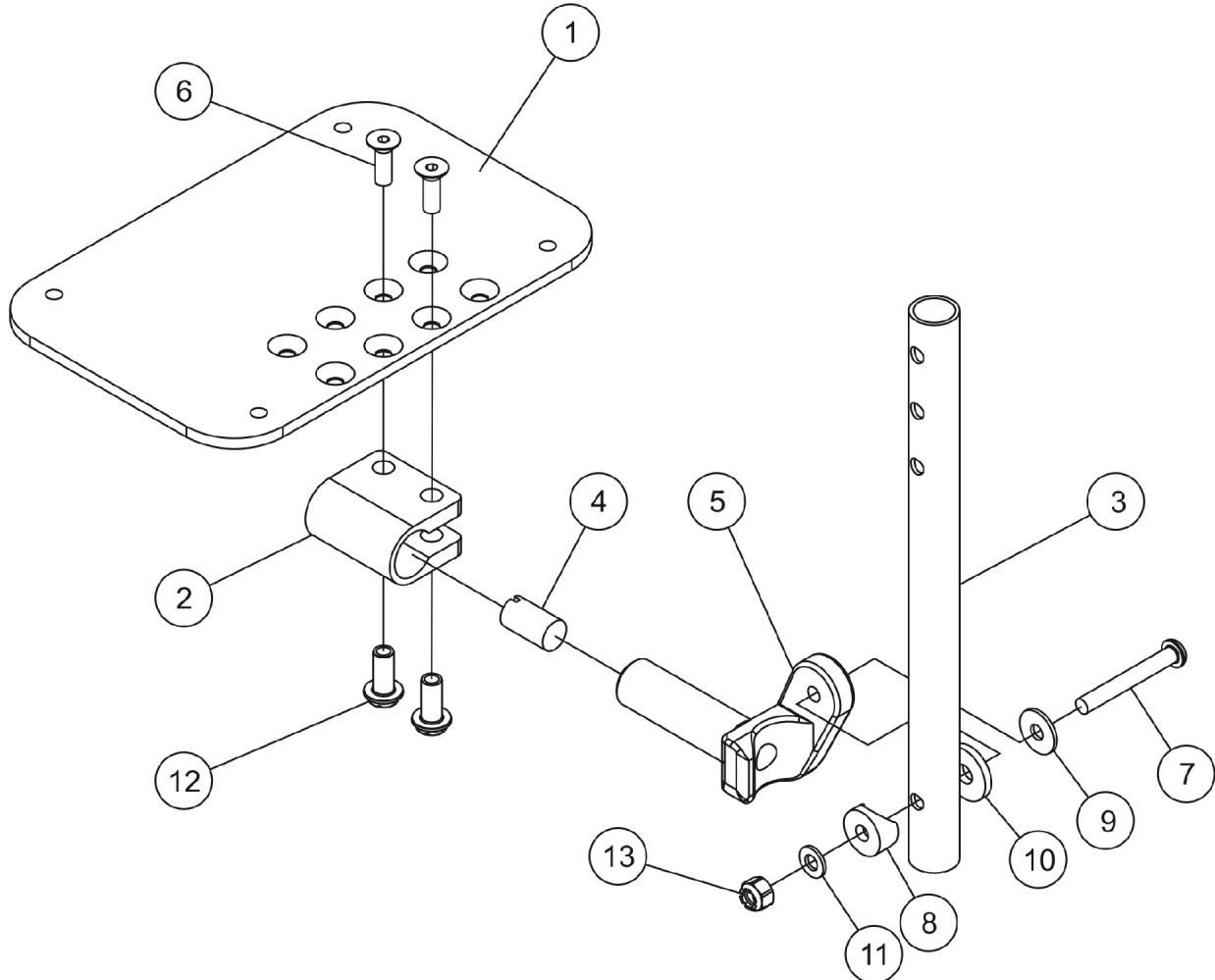
**NOTE: For complete pivot/slide tube and footplate assemblies, see page titled "Front Riggings Reference Chart".**

Item Number	Note	Part Number	Description	Quantity Per	
				Package	Assembly
1		1027097	Plug Button, Black (3/4")	1	1
2	C,E,F	1100568-NLA	NLA - Pivot/Slide Tube w/ Plug Button, Black	1	1
2	C	1100569-NLA	NLA - Pivot/Slide Tube Assembly, Extra Large, Standard Aluminium - 2" Longer, Black	1	1
2	C,E,F	1100570-NLA	NLA - Pivot/Slide Tube w/ Plug Button, Black (4" Longer)	1	1
2	B,E,F	1041526	Pivot/Slide Tube w/ Plug Button Assembly, Chrome	1	1
2	C,G	1100571-NLA	NLA - Pivot/Slide Tube w/ Plug Button, Deluxe, Black	1	1
3	D	44200X059	Footplate, Aluminum, Small, Black (6-3/4" W x 6" L)	1	1
3	A	44200X027	Footplate, Aluminum, Medium, Black (7-3/4" W x 6" L)	1	1
3		1043659-NLA	NLA - Footplate, Aluminum, Deluxe, Black - Right (8" W x 5-3/4" L)	1	1
3		1043660-NLA	NLA - Footplate, Aluminum, Deluxe, Black - Left (8" W x 5-3/4" L)	1	1
3	D	1002343	Footplate, Aluminum, Extra Large, Black - Right (7" W x 8-1/2" L)	1	1
3	D	1002344	Footplate, Aluminum, Extra Large, Black - Left (7" W x 8-1/2" L)	1	1
3		44200X025	Footplate, Aluminum, Extra Large, Black - Right (8" W x 8-1/2" L)	1	1
3		44200X026	Footplate, Aluminum, Extra Large, Black - Left (8" W x 8-1/2" L)	1	1
4	E	1016346	Cap, End, Tube, Black (7/8")	1	1
4	F	1027095	Plug Button, Black (7/8")	1	1
5	E	1006981	Spring, Tension	1	2
5	G	1036120-NLA	NLA - Spring	1	2
5	F,H	1036123	Spring, Leaf	1	1
6		40120X001	Screw, Phillips Pan Head (#8-32 x 3/8")	1	2
7		1070168	Plug, Push, Footplate	1	1

**NOTE:** A - Aluminum footplates on chairs built before 2/96 had a "Bright aluminum" finish. Footplates after 1/96 now have a black finish. When replacing 1 Bright aluminum footplate, it is suggested that 2 new (black) footplates be ordered.  
 B - PAL4/PAS4A  
 C - P904  
 D - 14" Wide  
 E - Standard Aluminium Footplate  
 F - Extra Large Aluminium Footplate  
 G - Deluxe Aluminium Footplate  
 H - Use one or more leaf springs per assembly as required such that footplate may be moved by hand to the up-right position and remain in place.

# AT5543 Adjustable Angle Footplate Assemblies PW93, PW93E

**NOTE:** Heel loops are not included. See page titled "Footrest and Legrest Accessories".  
**NOTE:** For complete pivot/slide tube and footplate assemblies, see page titled "Front Riggings Reference Chart".



# AT5543 Adjustable Angle Footplate Assemblies

## PW93, PW93E

**NOTE: Heel loops are not included. See page titled "Footrest and Legrest Accessories".**

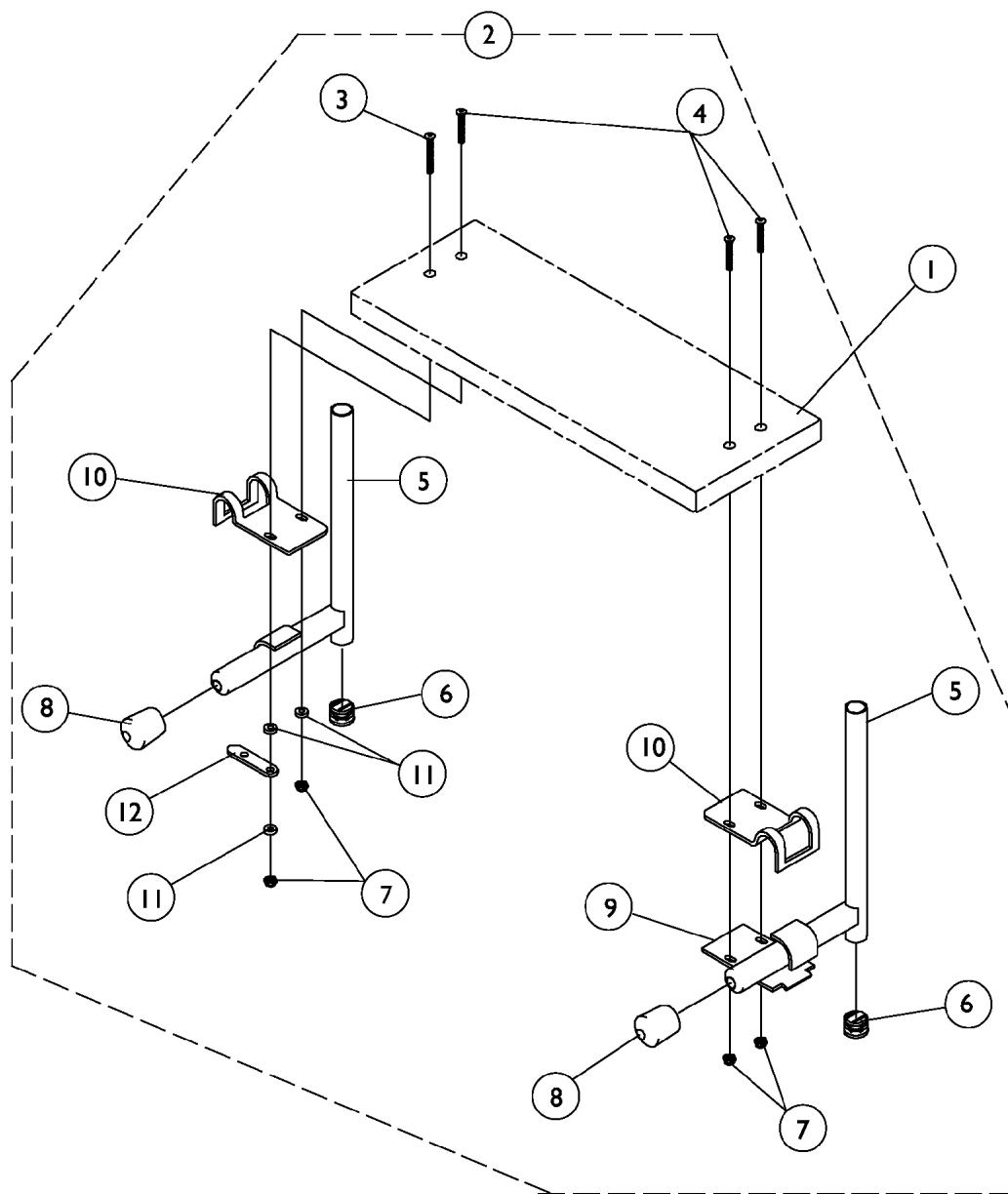
**NOTE: For complete pivot/slide tube and footplate assemblies, see page titled "Front Riggings Reference Chart".**

Item Number	Note	Part Number	Description	Quantity Per	
				Package	Assembly
1	B,D	1113573	Footplate, Adjustable Angle, Large, Black (5-1/4" W x 8" L)	1	1
1	C,D	1113574	Footplate, Adjustable Angle, Extra Large, Black (6-1/4" W x 8" L)	1	1
2	A	1058517	Clamp, Footplate	1	1
3		1057855	Tube, Pivot and Slide, Straight, Steel, Black (9-7/8" L)	1	1
4		1048816	Screw, Nylon Adjustment (1/2-13 x 7/8")	1	1
5		1052102	Hinge, Footplate - Right	1	1
5		1052103	Hinge, Footplate - Left	1	1
6	A	1029545	Screw, Socket Flat Head (1/4-20 x 3/4")	1	2
7		1022831	Screw, Socket Button Head (1/4-20 x 1-7/8")	1	1
8		1025457	Spacer, Coved (1/4 x 3/4 x 11/32")	1	1
9		1026900	Washer (1/4 x 23/32 x 1/16")	1	1
10		1016301	Washer, Nylon (5/16 x 7/8 x 1/8")	1	1
11		1026907	Washer (1/4 x 1/2 x 1/16")	1	1
12	A	1082686	Nut, Barrel, Hex Head (1/4-20 x 11/16")	1	2
13		1025736	Locknut (1/4-20)	1	1

NOTE: A - Items 2, 6 and 12 must be ordered together for chairs manufactured before 8/10/99 due to a hardware change.  
 B - 14" Wide.  
 C - 16" and Wider.  
 D - This footplate was revised 9/2/2008 with rounder corners and accessory holes changed from 8 to 4. Recommended to replace footplate in pairs to match sides.

# S1263 One Piece Wooden Footboard and Hardware

P93, P93E, P93M, PW93, PW93E



# S1263 One Piece Wooden Footboard and Hardware

## P93, P93E, P93M, PW93, PW93E

Item Number	Note	Part Number	Description	Quantity Per	
				Package	Assembly
1		See Chart	#1 One Piece Wooden Footboard without Hardware	1	1
	A	See Chart	Heel Loop Hardware Packages (not shown)	1	1
2	B	1032013-NLA	NLA - Kit, Wooden Footboard Mounting Hardware	1	1
3			NLA - Screw, Phillips Oval Head (#10-32 x 1-1/2")	1	1
4			NLA - Screw, Phillips Oval Head (#10-32 x 1-1/4")	1	3
5			NLA - Tube, Slide - Right	1	1
5			NLA - Tube, Slide - Left	1	1
6			Plug Button, Black (3/4")	1	2
7			Locknut (#10-32)	1	4
8			Cap, End, Tube, Black (7/8")	1	2
9			Lock, Pad Plate, Legrest, Black	1	1
10			Clamp, Black	1	2
11			NLA - Washer, Nylon (3/16 x 7/16 x 1/8")	1	3
12			NLA - Link, Locking, Chrome	1	1
2	C	1054573	Kit, Wooden Footboard Mounting Hardware	1	1
3			NLA - Screw, Phillips Oval Head (#10-32 x 1-1/2")	1	1
4			NLA - Screw, Phillips Oval Head (#10-32 x 1-1/4")	1	3
5			Tube, Pivot/Slide, Chrome - Right (9-1/2" L)	1	1
5			Tube, Pivot/Slide, Chrome - Left (9-1/2" L)	1	1
6			Plug Button, Black (3/4")	1	2
7			Locknut (#10-32)	1	4
8			Cap, End, Tube, Black (7/8")	1	2
9			Lock, Pad Plate, Legrest, Black	1	1
10			Clamp, Black	1	2
11			NLA - Washer, Nylon (3/16 x 7/16 x 1/8")	1	3
12			NLA - Link, Locking, Chrome	1	1

NOTE: A - Not Shown.  
 B - Includes items 3-12 and used for P93, P93E, P93M and P904  
 C - Includes items 3-12 and used for PW93 and PW93E only.

### #1 One Piece Wooden Footboard without Hardware

# S1263 One Piece Wooden Footboard and Hardware

## P93, P93E, P93M, PW93, PW93E

### #1 One Piece Wooden Footboard without Hardware

Footrest- Footboard w/ Heel Loop Holes Part Number	Footrest- Footboard w/o Heel Loop Holes Part Number	Chair Width	Footboard Width	Footboard Depth
1034245-NLA	48247X003-NLA	14"	11-5/8"	6"
1034247-NLA	48247X001-NLA	16"	13-3/4"	6"
1034249-NLA	48247X000-NLA	18"	15-9/16"	6"
1034251-NLA	1031913-NLA	20"	17-1/2"	6"



# S1263 One Piece Wooden Footboard and Hardware

## P93, P93E, P93M, PW93, PW93E

### Heel Loop Hardware Packages (not shown)

(All hardware is included to attach heel loops to footboard.)

Chair Width	Part Number	Package Includes
14-15" Wide	1033904-NLA	2 each Heel Loops 4 each Screw, PPH (1/4-20 x 3") 4 each Spacer (1/4 x 11/32 x 1-3/4") 4 each Locknut (1/4-20)
16"-24" Wide	1033905-NLA	2 each Heel Loops 4 each Screw, PPH (1/4-20 x 3") 4 each Spacer (1/4 x 11/32 x 1-3/4") 4 each Locknut (1/4-20)

## Footrest and Legrest Accessories

**NOTE: Heel loops for Power Articulating Legrest located on Power Articulating Legrest page.**

### Toe Loops (1345)

Footplate Type	Toe Loop w/o Hardware Single #	Toe Loop w/o Hardware Pair #	Attaching Hardware Part Number	Attaching Hardware Consists of
1651, 1650, 1450, 1350, Footplates	04572X025	1037087	1037089	(4) Screw, Phillips Pan Head (#10-32 x 7/8"), (4) Washer (1/4 x 3/4 x 3/32") (4) Locknut (#10-32)
AT5543 Footplates	04572X025	1037087	1104749	(4) Screw, Phillips Pan Head (#10-32 x 1/2") (4) Washer (1/4 x 3/4 x 3/32")

### Heel Loops (1346)

Footplate Type	Heel Loop Single #	Heel Loop Pair #	Heel Loop with Ankle Strap - Right Single #	Heel Loop with Ankle Strap - Left Single #	Heel Loop with Ankle Strap Pair #	Attaching Hardware Pair #
Composite (1651) 16" Wide Tapered	1028412-NLA	1035912-NLA	1035908-NLA	1035909-NLA	1035906	1035931
Composite (1651) 18" Wide Tapered	1017621	1035917-NLA	1035919	1035920	1035918	1035931
Composite (1651) 20" Wide Tapered	1017621	1035917-NLA	1035932-NLA	1035933-NLA	1035930	1035931
Standard Aluminum (1650) 14" Wide	1025234-NLA	1035905	1035908-NLA	1035909-NLA	1035906	1035907
Standard Aluminum (1650) 16-20" Wide	1017621	1035917-NLA	1035919	1035920	1035918	1035907

## Footrest and Legrest Accessories

**NOTE: Heel loops for Power Articulating Legrest located on Power Articulating Legrest page.**

### Heel Loops (1346)

Footplate Type	Heel Loop Single #	Heel Loop Pair #	Heel Loop with Ankle Strap - Right Single #	Heel Loop with Ankle Strap - Left Single #	Heel Loop with Ankle Strap Pair #	Attaching Hardware Pair #
Deluxe Aluminum (1450) 16-20" Wide	1017621	1035917-NLA	1035919	1035920	1035918	1086112-NLA
X-Large Aluminum (1350) 14" Wide	1025234-NLA	1035905	1035908-NLA	1035909-NLA	1035906	1055241
X-Large Aluminum (1350) 16-20" Wide	1017621	1035917-NLA	1035919	1035920	1035918	1055241
Adjustable Angle (AT5543)	1006327-NLA See Note(s) B	1160723 See Note(s) A	1038229	1038229	1160724 See Note(s) A	N/A
<b>NOTE:</b> A - These Assemblies include the Attaching Hardware. B - No longer available. Use part number 1160723 as replacement.						

## Footrest and Legrest Accessories

**NOTE: Heel loops for Power Articulating Legrest located on Power Articulating Legrest page.**

### Heel Loop Hardware

Footplate Type	Part Number	Consists of:
Adjustable Angle (AT5543)	1160723	(2) Heel Loops (4) Screw, Phillips Pan Head (1/4-20 x 2-1/4") (4) Spacer (4) Locknut (1/4-20)
Adjustable Angle (AT5543)	1160724	(2) Heel Loops w/ Ankle Straps (4) Screw, Phillips Pan Head (1/4-20 x 2-1/4") (4) Spacer (4) Locknut (1/4-20)
Composite 16-20" W (1651)	1035931	(2) Screw, Phillips Pan Head (1/4-20 x 2-1/4") (2) Spacer (1/4 x 11/32 x 1-3/4") (2) Hex Nut w/ Nylon Cap (1/4-20) (2) Flat Washer (1/4 x 5/8 x 1/16")
X-Large Aluminum 14-20" W (1350)	1055241	(2) Screw, Phillips Pan Head (1/4-20 x 2-1/4") (2) Spacer (1/4 x 11/32 x 1-3/4") (2) Locknut (1/4-20")
Standard Aluminum 14-20" W (1650)	1035907	(2) Screw, Phillips Pan Head (1/4-20 x 2-1/2") (2) Spacer (1/4 x 11/32 x 1-3/4") (2) Locknut (1/4-20")
Deluxe Aluminum 16-20" W (1450)	1086112-NLA	(2) Screw, Phillips Pan Head (1/4-20 x 2-1/2") (2) Spacer (1/4 x 11/32 x 1-3/4") (2) Locknut (1/4-20")

### Miscellaneous Accessories

Part Number	Description
1026987 See Note(s) B	Impact Guard (8") (IMPACTG)
1143050	Non-Removable Device (1820)
1032003	"H" Heel Strap (9342) 14" Wide
1032002	"H" Heel Strap (9342) 16-20" Wide

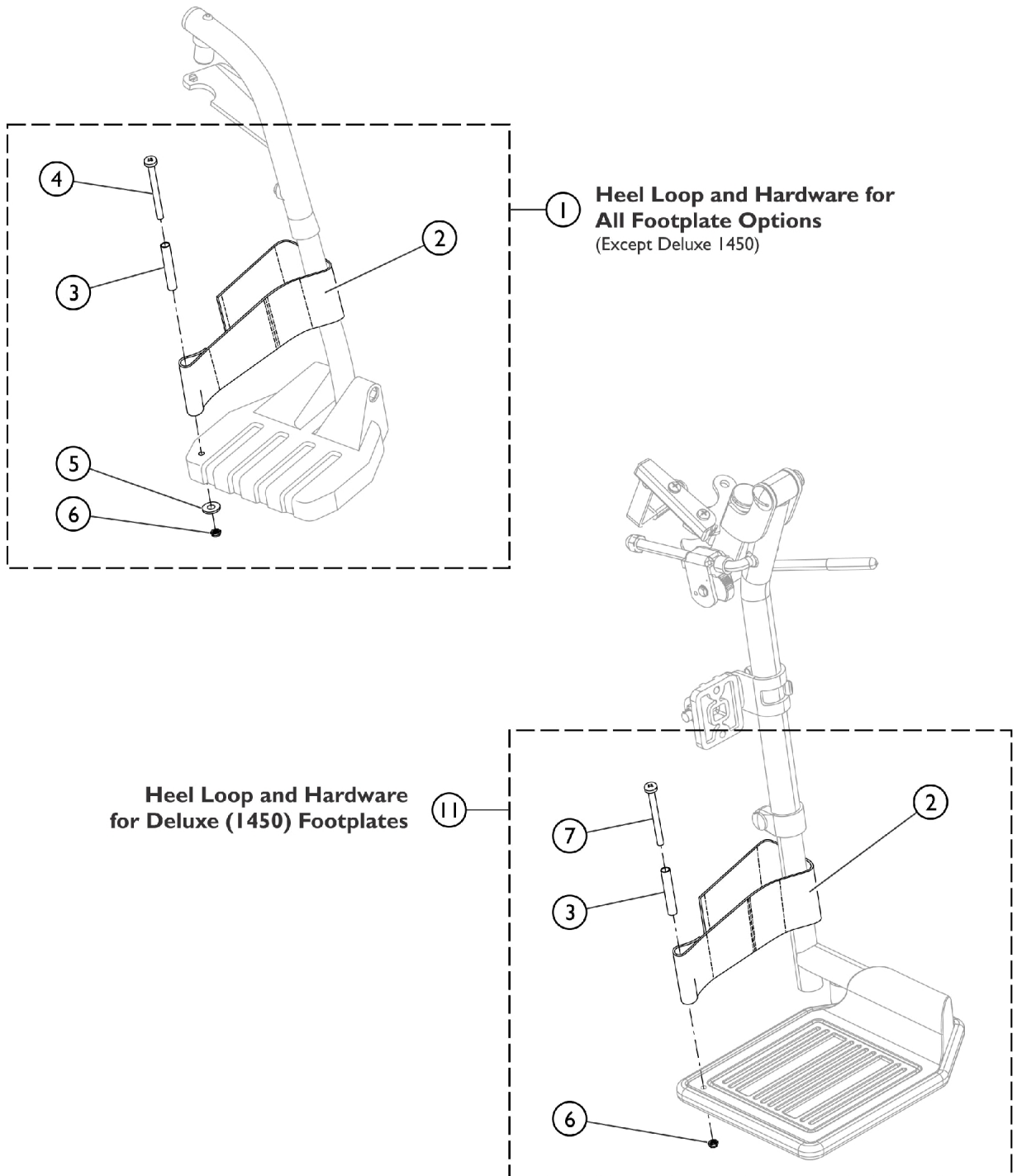
# Footrest and Legrest Accessories

NOTE: Heel loops for Power Articulating Legrest located on Power Articulating Legrest page.

## Miscellaneous Accessories

Part Number	Description
1035902	Calf Strap (1337)
8881006725-NLA  See Note(s) A	Footrest Support Panel (1348) 14-16" Wide
8881006726  See Note(s) A	Footrest Support Panel (1348) 18" Wide
8881006727-NLA  See Note(s) A	Footrest Support Panel (1348) 20" Wide
8881035816-NLA  See Note(s) A	Legrest Support Panel (1348) 14-16" Wide
8881035817-NLA  See Note(s) A	Legrest Support Panel (1348) 18" Wide
8881035818-NLA  See Note(s) A	Legrest Support Panel (1348) 20" Wide
NOTE: A - Specify upholstery color when ordering. See page titled "Frame Finishes, Touch-Up Paints and Upholstery Colors." B - For 70 deg. Tapered Footrest.	
NOTE: These items are not shown	

# Front Riggings - Adjustable Heel Loops



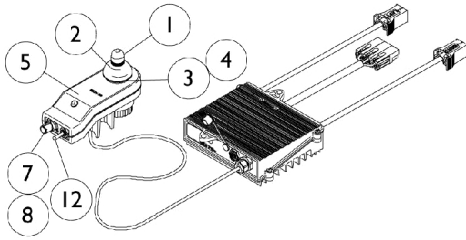
SCM\_058A

## Front Riggings - Adjustable Heel Loops

Item Number	Note	Part Number	Description	Quantity Per	
				Package	Assembly
1	A	1191117	Kit, Heel Loop, Adjustable w/ Hardware (Pair)	1	1
2			Heel Loop	1	2
3			NLA - Spacer (1/4 x 11/32 x 1-3/4")	1	2
4			NLA - Screw, Phillips Pan Head (1/4-20 x 2-1/4")	1	2
5			Washer, Flat (1/4 x 5/8 x 1/16")	1	2
6			Nut, Hex, Nylon Cap (1/4-20)	1	2
			Instruction Sheet, Adjustable Heel Loop	1	1
11	B	1191116	Kit, Heel Loop, Adjustable w/ Hardware, Deluxe 1450 (Pair)	1	1
2			Heel Loop	1	2
3			NLA - Spacer (1/4 x 11/32 x 1-3/4")	1	2
6			Nut, Hex, Nylon Cap (1/4-20)	1	2
7			NLA - Screw, Phillips Pan Head (1/4-20 x 2-1/2")	1	2
			Instruction Sheet, Adjustable Heel Loop	1	1
NOTE: A - Kit includes items 2 - 6. Used with All Footplates except Deluxe (1450). B - Kit includes items 2, 3, 6, and item 7. Used with Deluxe (1450) Footplates only.					

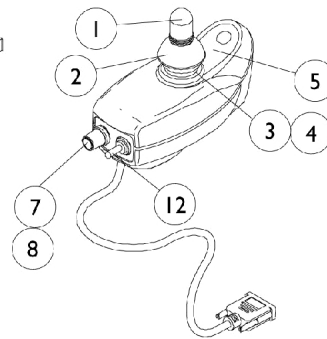
# MKIV Joysticks

## RII, RX, A, A+, TCHJOY

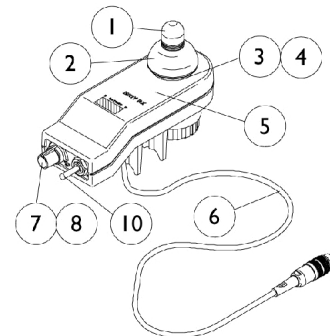


☎ **1080723NLA**  
**RII Joystick/Controller**  
**Before 5/1/00**

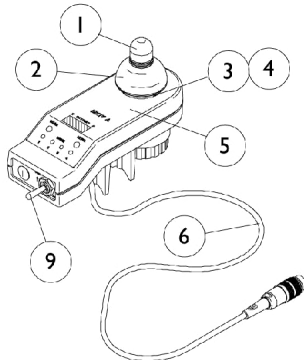
☎ For chairs made before 5/1/00,  
the following must be ordered:  
RII Joystick part # (1092610)  
RII Retro Controller part # (1095269)  
Remote Programmer part # (1109091)



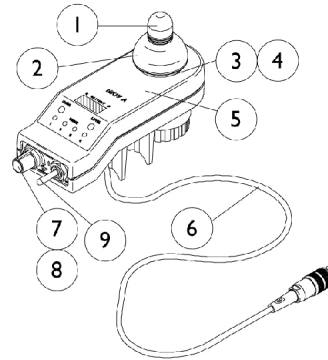
**1092610**  
**RII Joystick**  
**After 4/30/00**



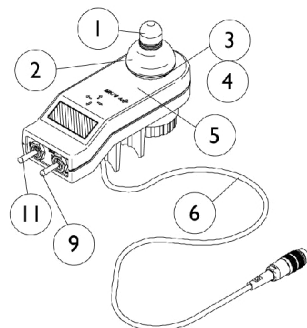
**1038603**  
**RX Joystick**



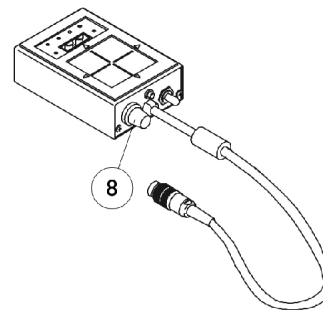
**1038604**  
**A Joystick**  
**Before 9/1/96**



**1065944**  
**A Joystick**  
**After 8/31/96**



**1038608**  
**A+ Joystick**



**1095289**  
**TCHJOY**  
**Touchpad "A"**  
**Joystick**



## MKIV Joysticks RII, RX, A, A+, TCHJOY

Item Number	Note	Part Number	Description	Quantity Per	
				Package	Assembly
	A,C	1080723-NLA	NLA - Joystick/Controller, MKIV RII	1	1
	B	1095269-NLA	NLA - Controller, MKIV RII, Retro	1	1
	B	1109091-NLA	NLA - Programmer, Remote	1	1
	B	See Chart	MKIV Joysticks	1	1

NOTE: A - For chairs made before 5/1/00, the following must be ordered, RII Joystick #1092610, RII Retro Controller #1095269 and Remote Programmer #1109091.  
 B - Not Shown  
 C - For joystick inductive and switch components, refer to chart under RII joystick assembly #1092610.

Item Number	Description	RII	RX	A Before 9/1/96	A After 8/31/96	A+	TCHJOY
See Pictorial	Joystick Assembly	1092610-NLA	1038603-NLA	1038604-NLA	1065944-NLA	1038608-NLA	1095289-NLA
1	Knob, Joystick	1040217	1040217	1040217	1040217	1040217	N/A
2	Skirt, Joystick	1040218	1040218	1040218	1040218	1040218	N/A
3	Inductive, Joystick Before 10/1/02 See Note(s) E	1036764-NLA See Note(s) B	1036764-NLA See Note(s) C	1036764-NLA See Note(s) B	1036764-NLA See Note(s) C	1036764-NLA See Note(s) B	N/A
3	Inductive, Joystick After 9/20/02 See Note(s) E	N/A	1104397-NLA See Note(s) D	N/A	1104397-NLA See Note(s) D	N/A	N/A
4	Boot, Joystick	50000X364-NLA	50000X364-NLA	50000X364-NLA	50000X364-NLA	50000X364-NLA	N/A
5	Overlay, Joystick Decal See Note(s) A	1049692-NLA	1038642-NLA	1040190-NLA	1040190-NLA	1036776-NLA	N/A
6	Cable Assembly Before 10/1/02 See Note(s) A	N/A	1036750-NLA See Note(s) C	1036750-NLA See Note(s) B	1036750-NLA See Note(s) C	1036750-NLA See Note(s) B	N/A
6	Cable Assembly After 9/20/02	N/A	1104205-NLA See Note(s) D	N/A	1104205-NLA See Note(s) D	N/A	N/A
7	Potentiometer, Speed (Speed Pot) Before 10/1/02 See Note(s) B	1040225-NLA	1040225-NLA See Note(s) C	N/A	1040225-NLA See Note(s) C	N/A	N/A

## MKIV Joysticks

### RII, RX, A, A+, TCHJOY

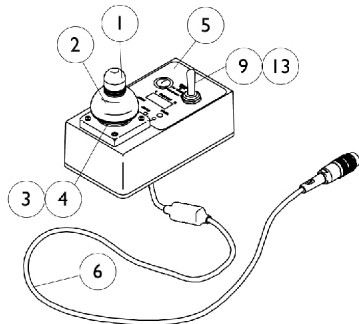
Item Number	Description	RII	RX	A Before 9/1/96	A After 8/31/96	A+	TCHJOY
7	Potentiometer, Speed (Speed Pot) After 9/30/02	N/A	1115518-NLA  See Note(s) D	N/A	1115518-NLA  See Note(s) D	N/A	N/A
8	Knob, Potentiometer	1025516-NLA	1025516-NLA	N/A	1025516-NLA	N/A	1025516-NLA
9	Switch, On/Off Momentary Before 10/1/02	N/A	N/A	1040185-NLA  See Note(s) B	1040185-NLA  See Note(s) C	1040185-NLA  See Note(s) B	N/A
9	Switch, On/Off Momentary After 9/20/02	N/A	N/A	N/A	1115523-NLA  See Note(s) D	N/A	N/A
10	Switch, Off/ 1-2 Before 10/1/02	N/A	1038627-NLA  See Note(s) C	N/A	N/A	N/A	N/A
10	Switch, Off/ 1-2 After 9/20/02	N/A	1115521-NLA  See Note(s) D	N/A	N/A	N/A	N/A
11	Switch, Program	N/A	N/A	N/A	N/A	1040186-NLA See Note(s) B	N/A
12	Switch, Toggle SPDT	1010042-NLA See Note(s) B	N/A	N/A	N/A	N/A	N/A

NOTE: A - Cable assembly and joystick overlay decal for RII joystick before 10/01/02 and after 9/30/02 are not available.  
 B - Item requires soldering.  
 C - Before 10/01/02 item requires soldering.  
 D - After 9/30/02 item has a non-solder connector.  
 E - The Dynamic inductive shaft will have a hole drilled 1/4" down from the top. Flightlink doesn't have this feature.

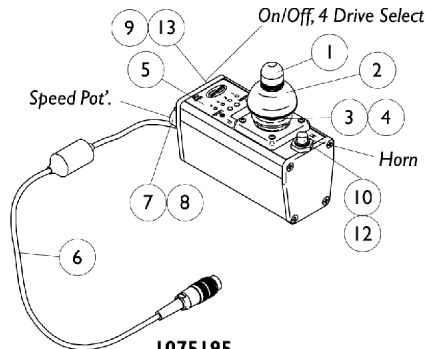
# MKIV Joysticks

## PS, PSF and PSR

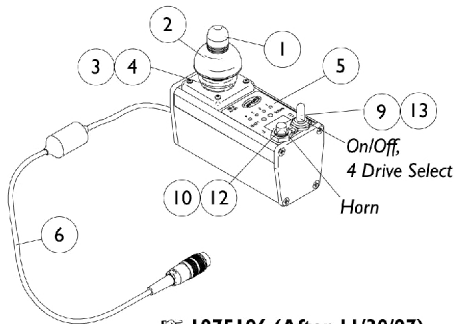
**NOTE: PSR STANDARD joystick configuration below show the on/off switch on the left side for part # 1075196. When the on/off switch is required on the right side, refer to part number 8881075196 and order as a configured part.**



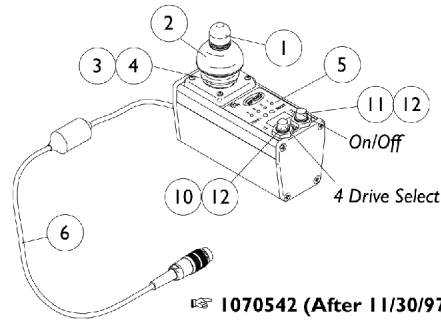
**†058468 NLA**  
**PS Joystick**  
**(Before 12/1/97)**



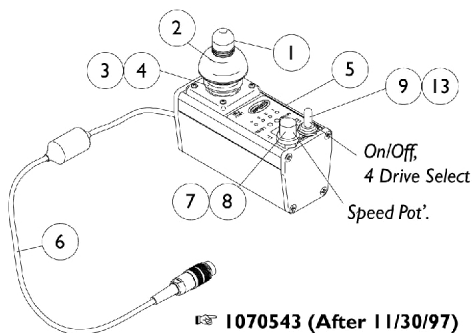
**1075195**  
**PSF Joystick**  
**(After 11/30/97)**



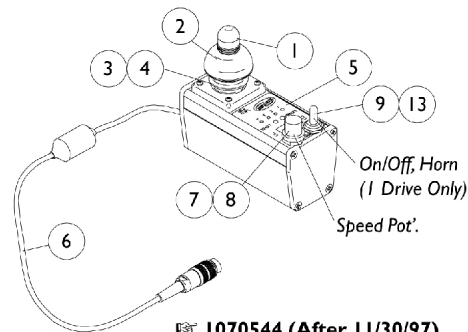
**1075196 (After 11/30/97)**  
**PSR Joystick**  
**ON CHAIR: STANDARD**



**1070542 (After 11/30/97)**  
**PSR Joystick without Horn**  
**ON CHAIR: PBOD/OL**



**1070543 (After 11/30/97)**  
**PSR Joystick without Horn**  
**ON CHAIR: RHSS/OL**



**1070544 (After 11/30/97)**  
**PSR Joystick**  
**ON CHAIR: TOHSS/OL**

**STANDARD:** This PSR joystick includes a toggle on/off combined with a drive select and a push button horn. No speed selector.

**PBOD:** This PSR joystick includes push button on/off with a push button drive select. This gives you access to the four drives, but no horn and no speed select.

**RHSS:** This PSR joystick replaces the horn with a speed selector. This allows you to deviate from having a horn to having a speed select dial, plus the drive selector to the four drives.

**TOHSS:** This PSR joystick includes a toggle on/off with horn and a speed select dial. You have access to only one drive.

**OL:** On/Off positioned on left side of the PSR joystick.

**OR:** On/Off positioned on right side of the PSR joystick.

# MKIV Joysticks

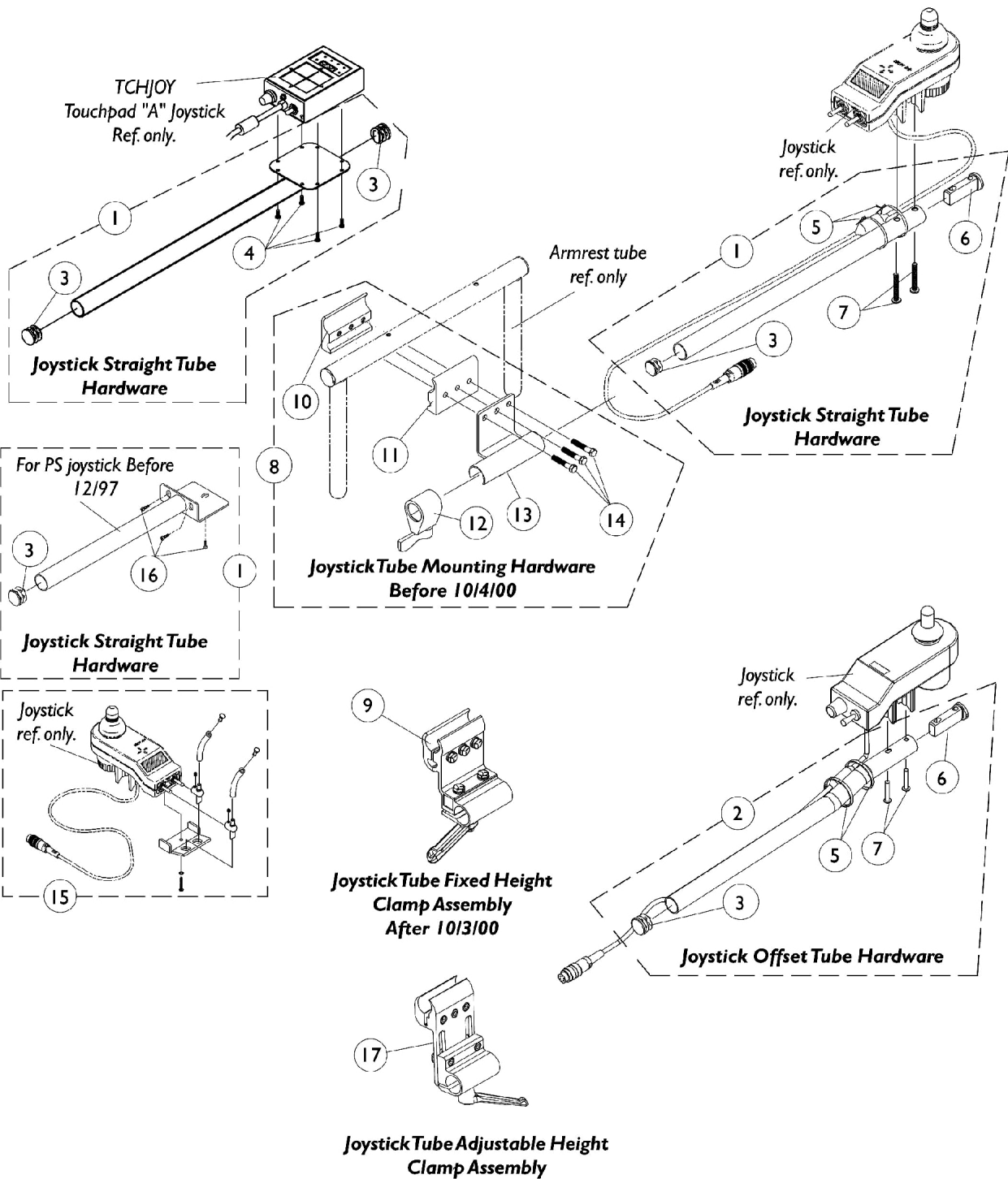
## PS, PSF and PSR

**NOTE: PSR STANDARD joystick configuration below show the on/off switch on the left side for part # 1075196. When the on/off switch is required on the right side, refer to part number 8881075196 and order as a configured part.**

Item Number	Description	PS Before 12/1/97	PSF After 11/30/97	PSR After 11/30/97
See Pictorial	Joystick Assembly	N/A	N/A	1075196-NLA
See Pictorial	Joystick Assembly	1058468-NLA	1075195-NLA	8881075196
See Pictorial	Joystick Assembly	N/A	N/A	1070542-NLA
See Pictorial	Joystick Assembly	N/A	N/A	1070543-NLA
See Pictorial	Joystick Assembly	N/A	N/A	1070544-NLA
1	Knob, Joystick	1040217	1040217	1040217
2	Skirt, Joystick	1040218	1040218	1040218
3	Inductive, Joystick See Note(s) A	1036764-NLA	1036764-NLA	1036764-NLA
4	Boot, Joystick	50000X364-NLA	50000X364-NLA	50000X364-NLA
5	Overlay, Joystick Decal	1058460-NLA	1075034-NLA	1079925-NLA
6	Cable Assembly	1036750-NLA	1036750-NLA	1036750-NLA
7	Potentiometer Speed	N/A	1040225-NLA	1040225-NLA
8	Knob Potentiometer	N/A	1025516-NLA	1025516-NLA
9	Switch, On/Off Momentary	1040185-NLA	1040185-NLA	1040185-NLA
10	Switch, Push Button SPST Momentary	N/A	1010047-NLA	1010047-NLA
11	Switch, Push Button SPST	N/A	N/A	1010048-NLA
12	Boot, Switch	N/A	1010049-NLA	1010049-NLA
13	Boot, Switch	1058464-NLA	1058464-NLA	1058464-NLA

NOTE: A - The Dynamic inductive shaft will have a hole drilled 1/4" down from the top. Flightlink doesn't have this feature.

# MKIV Joystick Mounting Hardware and Joystick Accessories

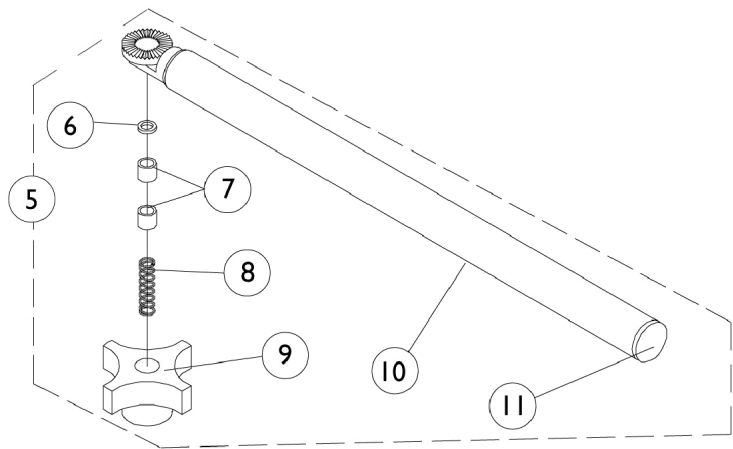
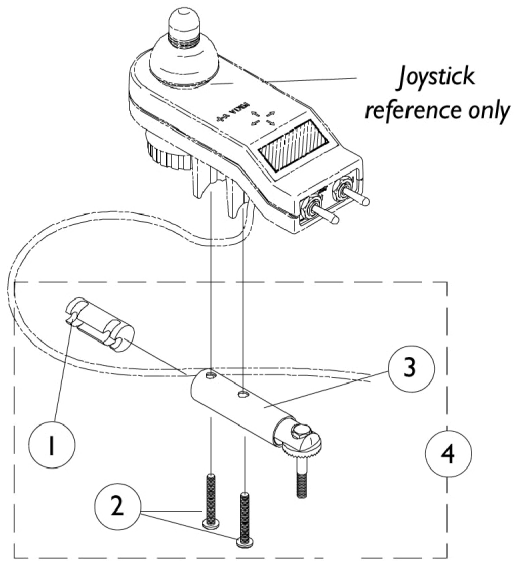


# MKIV Joystick Mounting Hardware and Joystick Accessories

Item Number	Note	Part Number	Description	Quantity Per	
				Package	Assembly
1	J	1052719-NLA	NLA - Kit, Straight Joystick Tube with Hardware	1	1
1	C	1092604-NLA	NLA - Kit, Straight Joystick Tube with Hardware	1	1
1	D	1043568	Kit, Straight Joystick Tube with Hardware	1	1
2	A,A1,E	1093069	Kit, 1/2" Offset Joystick Tube with Hardware	1	1
3	F	1027095	Plug Button, Black (7/8")	1	1
4		1052041	Screw, Phillips Pan Head (#4-40 x 3/8")	1	1
5		1095502-NLA	NLA - Package, Tie Wrap (11-1/2" L)	10	2
6		1093063	Spacer, Joystick Tube, Black	1	1
7		1025714	Screw, Phillips Pan Head (#10-32 x 1-1/8")	1	1
8	G	1049591-NLA	NLA - Hardware, Joystick Tube Mounting	1	1
9	A,A1,H	1093071	Clamp, Fixed Height Joystick Tube	1	1
10		1027267-NLA	NLA - Half Clamp, Threaded Holes	1	1
11		1027266	Half Clamp, Non-Threaded Holes	1	1
12		1027274	Adjustment Lock Assembly, Black	1	1
13		1049582-NLA	NLA - Bracket, Joystick Mounting, Black	1	1
14		16690X004-NLA	NLA - Screw, Hex Head (1/4-20 x 1-1/8")	1	1
15		1055736-NLA	NLA - Kit, Toggle Switch Extension	1	1
16		1016401-NLA	NLA - Screw, Phillips Round Head (#10-32 x 3/8")	1	3
17		1139422	Clamp, Height Adjustable Joystick Tube (ARM250)	1	1
	I	1006270	Extension, Joystick, "T" Style (1560) (4" W x 5-1/2" L)	1	1
	I	1006271	Extension, Joystick, Straight Style (1561) (1/2" W x 5" L)	1	1

NOTE: A - The joystick straight tube changed to an offset joystick tube on 10/4/00. The joystick tube mounting hardware also changed to a new fixed height clamp assembly to allow an individual to use an  
A1 - adjustment lever to securely hold the joystick tube in place. The fixed height joystick tube clamp can be used as a direct replacement in the field for the joystick tube mounting hardware part number 1049591 manufactured for chairs before 10/4/00.  
C - Includes Items 3, 4, and mounts to a TCHJOY Touchpad "A" joystick  
D - Includes Items 3, 5, 6, 7, and mounts to MKIV RII, RX, A, A+, PSF/PSR Joysticks Before 10/4/00  
E - Includes Items 3, 5, 6, 7, and mounts to MKIV RII, RX, A, A+, PSF/PSR Joysticks After 10/3/00  
F - Touchpad "A" Joystick-Takes 2  
G - Includes Items 10-14 and used for PS, TCHJOY, and (RII, RX, A, A+, PSF/PSR joysticks Before 10/4/00)  
H - Used for RII, RX, A, A+, PSF/PSR joysticks After 10/3/00  
I - Not Shown  
J - Includes Items 3, 16, and mounts to a PS joystick

# MKIV Swivel Joystick Hardware

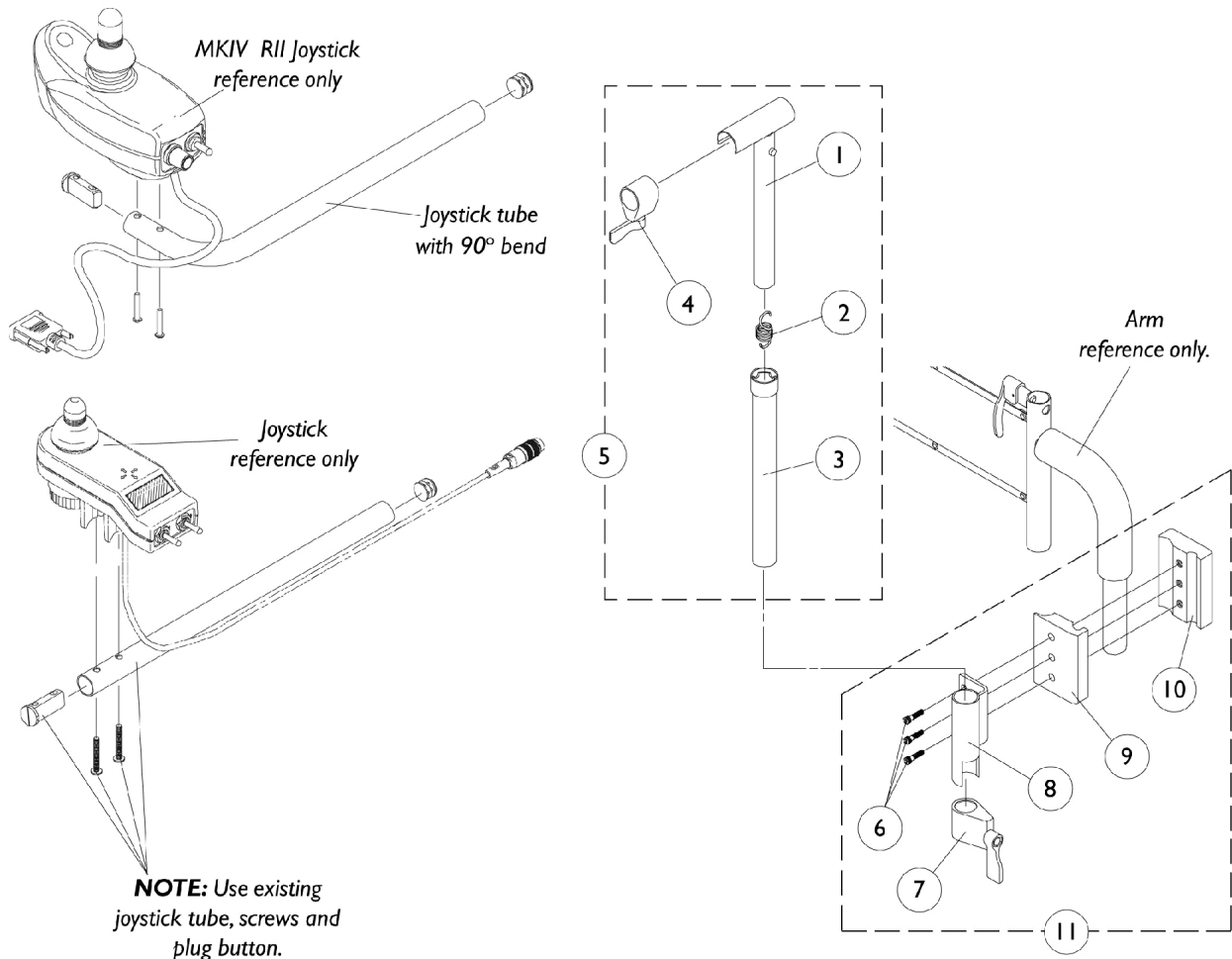


## MKIV Swivel Joystick Hardware

Item Number	Note	Part Number	Description	Quantity Per	
				Package	Assembly
1		1093063	Spacer, Joystick Tube, Black	1	1
2		1025714	Screw, Phillips Pan Head (#10-32 x 1-1/8")	1	1
3		1049962-NLA	NLA - Bracket, Swivel Joystick, MKIV	1	1
4		1049963-NLA	NLA - Bracket, Swivel Joystick with Hardware	1	1
5		1035986-NLA	NLA - Joystick Swivel Tube with Hardware, Black	1	1
6		1020551-NLA	NLA - Washer, Flat (1/4 x 3/8 x 1/16")	1	1
7		1005844-NLA	NLA - Bushing	1	2
8		1002511-NLA	NLA - Spring, Hitch Bracket	1	1
9		1023670-NLA	NLA - Knob, Clamping, Grey	1	1
10		1035990-NLA	NLA - Tube, Swivel Joystick, Black	1	1
11		1027095	Plug Button, Black (7/8")	1	1



# MKVII Mid-Line Swing Bracket Assembly

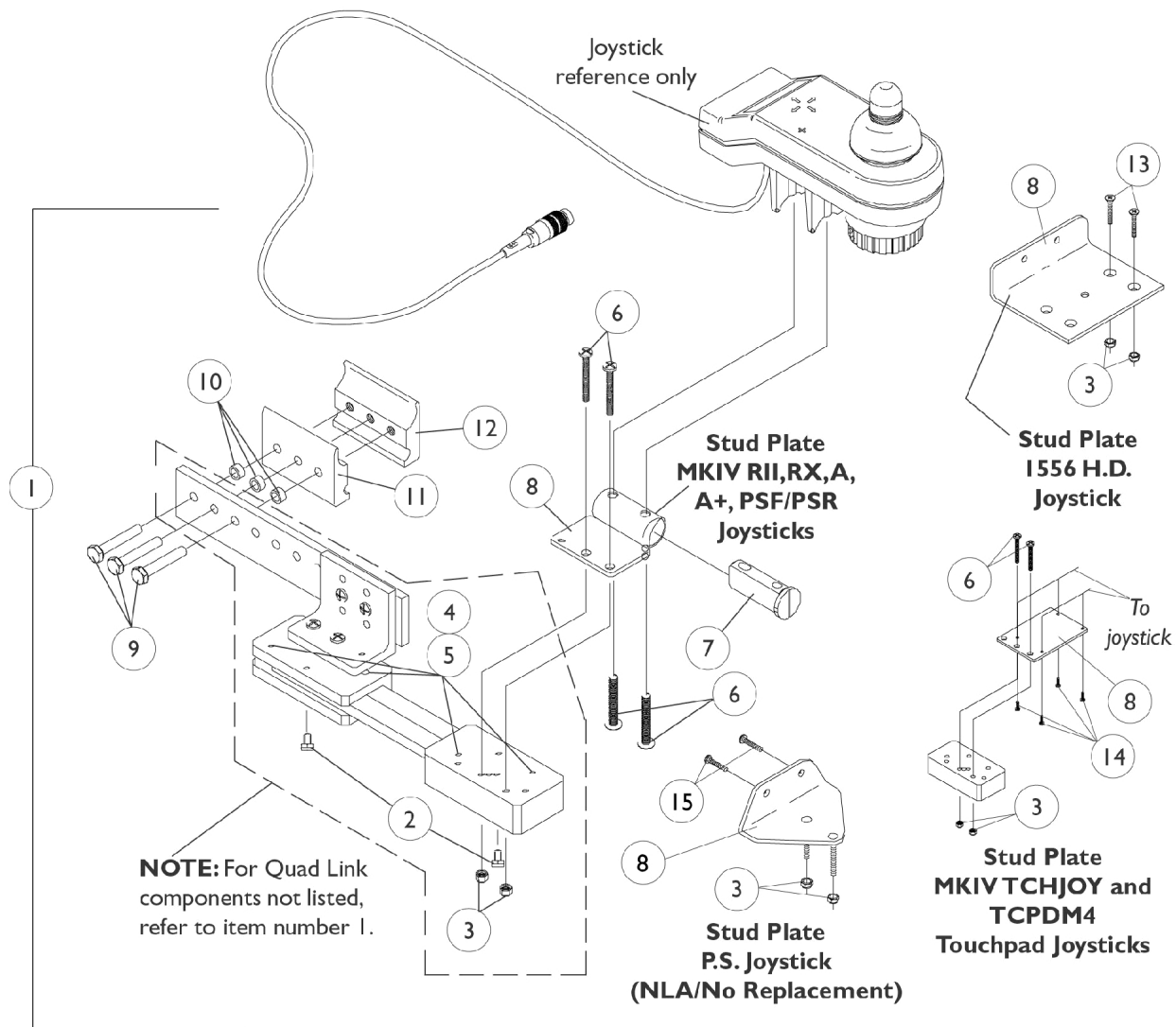


## MKVI Mid-Line Swing Bracket Assembly

Item Number	Note	Part Number	Description	Quantity Per	
				Package	Assembly
1		1035528-NLA	NLA - Tube, Adjustment, Inside, Mid-Line, Black	1	1
2		1016778-NLA	NLA - Spring, Extension (9/16 x 1-3/8" L)	1	1
3		1035860-NLA	NLA - Tube, Adjustment, Outside, Mid-Line, Black	1	1
4		1027274	Adjustment Lock Assembly, Black	1	1
5	B	1035852-NLA	NLA - Swing Bracket Assembly, Mid-Line, Black	1	1
6		16690X004-NLA	NLA - Screw, Hex Head (1/4-20 x 1-1/8")	1	1
7		1027274	Adjustment Lock Assembly, Black	1	1
8		1049582-NLA	NLA - Bracket, Joystick Mounting, Black	1	1
9		1027266	Half Clamp, Non-Threaded Holes	1	1
10		1027267-NLA	NLA - Half Clamp, Threaded Holes	1	1
11	A	1049591-NLA	NLA - Hardware, Joystick Tube Mounting	1	1
NOTE: A - Includes Items 6-10 B - Includes Items 1-4					

# Quad Link Assembly

## Before 4/07/06



## Quad Link Assembly Before 4/07/06

Item Number	Note	Part Number	Description	Quantity Per	
				Package	Assembly
1	A	1052402-NLA	NLA - Kit, Quad Link Assembly - Right	1	1
2			NLA - Ball Plunger Assembly with Lock Washer	2	1
3			Locknut (#10-32)	1	2
4			NLA - Screw, Cap, Socket Head (#10-32 x 1/2")	1	4
5			NLA - Bushing, Bronze (3/16 x 1/4 x 1/4")	1	4
6			Screw, Phillips Pan Head (#10-32 x 1-1/8")	1	4
7			Spacer, Joystick Tube, Black	1	1
8			NLA - Stud Plate, Quad Link	1	1
9			Screw, Hex Head (1/4-20 x 1-1/2")	1	3
10			NLA - Spacer (1/4 x 3/8 x 3/16")	1	3
11		Half Clamp, Non-Threaded Holes	1	1	
12		NLA - Half Clamp, Threaded Holes	1	1	
1	A	1115372-NLA	NLA - Kit, Quad Link Assembly - Left	1	1
2			NLA - Ball Plunger Assembly with Lock Washer	2	1
3			Locknut (#10-32)	1	2
4			NLA - Screw, Cap, Socket Head (#10-32 x 1/2")	1	4
5			NLA - Bushing, Bronze (3/16 x 1/4 x 1/4")	1	4
6			Screw, Phillips Pan Head (#10-32 x 1-1/8")	1	4
7			Spacer, Joystick Tube, Black	1	1
8			NLA - Stud Plate, Quad Link	1	1
9			Screw, Hex Head (1/4-20 x 1-1/2")	1	3
10			NLA - Spacer (1/4 x 3/8 x 3/16")	1	3
11		Half Clamp, Non-Threaded Holes	1	1	
12		NLA - Half Clamp, Threaded Holes	1	1	
1	B,E	1034703-NLA	NLA - Kit, Quad Link Assembly - Right	1	1
2			NLA - Ball Plunger Assembly with Lock Washer	2	1
3			Locknut (#10-32)	1	2
4			NLA - Screw, Cap, Socket Head (#10-32 x 1/2")	1	4
5			NLA - Bushing, Bronze (3/16 x 1/4 x 1/4")	1	4
8			Plate, Stud, Quad Link For 1556 Heavy Duty Joystick	1	1
9			Screw, Hex Head (1/4-20 x 1-1/2")	1	3
10			NLA - Spacer (1/4 x 3/8 x 3/16")	1	3
11			Half Clamp, Non-Threaded Holes	1	1
12			NLA - Half Clamp, Threaded Holes	1	1
13		Screw, Phillips Flat Head (#10-32 x 1-1/8")	1	2	
1	B	1114866-NLA	NLA - Kit, Quad Link Assembly - Left	1	1
2			NLA - Ball Plunger Assembly with Lock Washer	2	1
3			Locknut (#10-32)	1	2
4			NLA - Screw, Cap, Socket Head (#10-32 x 1/2")	1	4
5			NLA - Bushing, Bronze (3/16 x 1/4 x 1/4")	1	4
8			Plate, Stud, Quad Link For 1556 Heavy Duty Joystick	1	1

## Quad Link Assembly Before 4/07/06

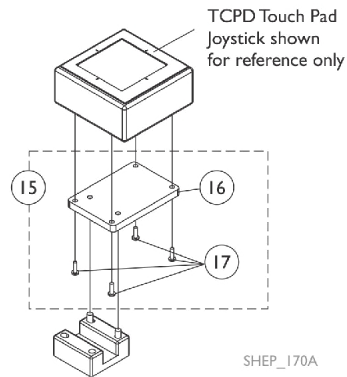
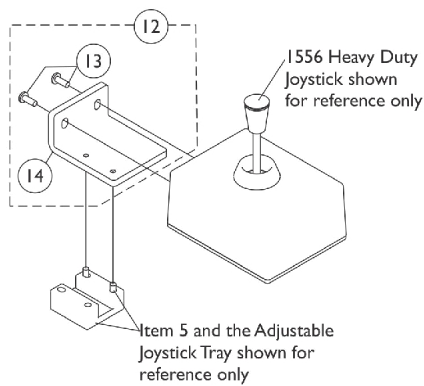
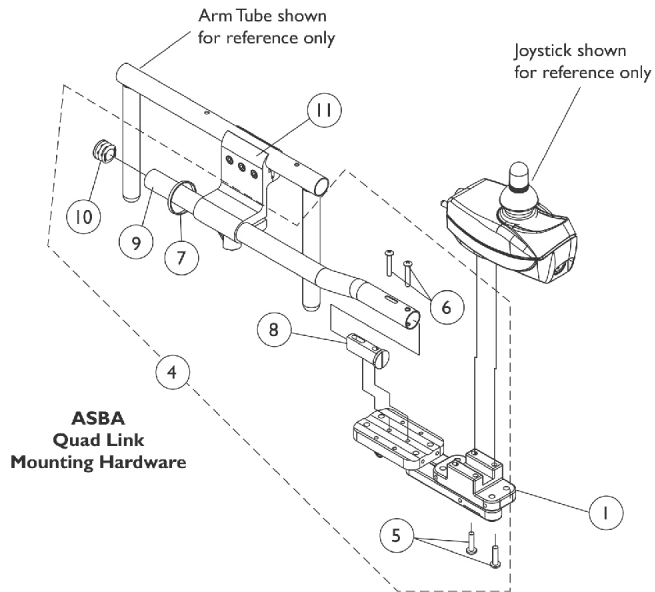
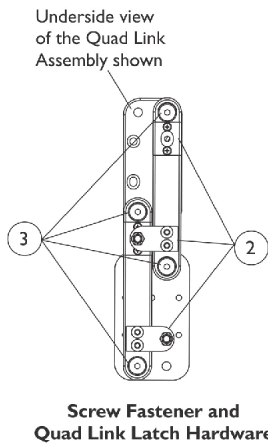
Item Number	Note	Part Number	Description	Quantity Per	
				Package	Assembly
9			Screw, Hex Head (1/4-20 x 1-1/2")	1	3
10			NLA - Spacer (1/4 x 3/8 x 3/16")	1	3
11			Half Clamp, Non-Threaded Holes	1	1
12			NLA - Half Clamp, Threaded Holes	1	1
13			Screw, Phillips Flat Head (#10-32 x 1-1/8")	1	2
1	C	1102027-NLA	NLA - Kit, Quad Link Assembly - Right For TCHJOY/TCPDM4 Touchpad	1	1
2			NLA - Ball Plunger Assembly with Lock Washer	2	1
3			Locknut (#10-32)	1	2
4			NLA - Screw, Cap, Socket Head (#10-32 x 1/2")	1	4
5			NLA - Bushing, Bronze (3/16 x 1/4 x 1/4")	1	4
6			Screw, Phillips Pan Head (#10-32 x 1-1/8")	1	2
8			NLA - Plate, Stud, Quad Link MKIV TCHJOY/TCPDM4	1	1
9			Screw, Hex Head (1/4-20 x 1-1/2")	1	3
10			NLA - Spacer (1/4 x 3/8 x 3/16")	1	3
11			Half Clamp, Non-Threaded Holes	1	1
12			NLA - Half Clamp, Threaded Holes	1	1
14			NLA - Screw, Phillips Flat Head Countersunk (#4-40 x 3/8")	1	4
1	D	1106191-NLA	NLA - Kit, Quad Link Assembly - Right For PS joystick	1	1
2			NLA - Ball Plunger Assembly with Lock Washer	2	1
3			Locknut (#10-32)	1	2
4			NLA - Screw, Cap, Socket Head (#10-32 x 1/2")	1	4
5			NLA - Bushing, Bronze (3/16 x 1/4 x 1/4")	1	4
8			NLA - Plate, Stud, Quad Link P.S. Joystick	1	1
9			Screw, Hex Head (1/4-20 x 1-1/2")	1	3
10			NLA - Spacer (1/4 x 3/8 x 3/16")	1	3
11			Half Clamp, Non-Threaded Holes	1	1
12			NLA - Half Clamp, Threaded Holes	1	1
15			Screw, Phillips Pan Head (#10-32 x 11/16")	1	2
2		1114863-NLA	NLA - Ball Plunger Assembly with Lock Washer	2	1
<p>NOTE: A - Includes the Quad Link, items 2-12 and used with MKIV RII, RX, A, A+, PSF/PSR joysticks            B - Includes the Quad Link, items 2-5, 8-13 and used with a 1556 Heavy Duty joystick            C - Includes the Quad Link, items 2-6, 8-12, 14 and used with MKIV TCHJOY/TCPDM4 joysticks. For left side mounted Quad Link, order as a special.            D - Includes the Quad Link, items 2-5, 8-12, 15 and used with a PS joystick            E - Quad Link Assembly is no longer available. Please see Quad Link Assembly (After 4/06/06) category and use new Quad Link design as a replacement.</p>					

# Quad Link Assembly (QL)

After 4/06/06

When converting an old style Quad Link that attaches to a mounting plate or (a Flex or Touch Pad Joystick Tube) is currently on the chair then order the following for ASBA Seat; Quad Link Mtg. Hdw. (item 4), Quad Link (item 1) & Ht. Adj. Joystick Tube Clamp (item 11)

**NOTE:** Substitute (item 4) with 2 ea. of the PPH Screws (item 5) when an offset joystick tube is currently on the chair. Additional Joystick Mtg. Hdw. must be ordered when a 1556 Heavy Duty or TCPD Touch Pad is used.



# Quad Link Assembly (QL)

**After 4/06/06**

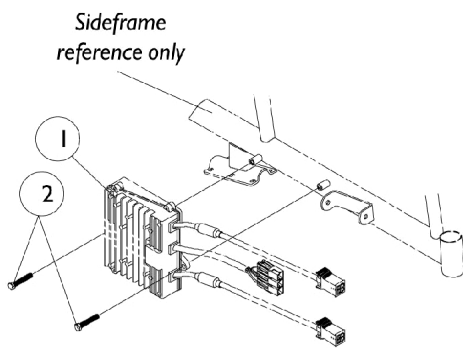
When converting an old style Quad Link that attaches to a mounting plate or (a Flex or Touch Pad Joystick Tube) is currently on the chair then order the following for ASBA Seat; Quad Link Mtg. Hdwr. (item 4), Quad Link (item 1) & Ht. Adj. Joystick Tube Clamp (item 11)

**NOTE: Substitute (item 4) with 2 ea. of the PPH Screws (item 5) when an offset joystick tube is currently on the chair. Additional Joystick Mtg. Hdwr. must be ordered when a 1556 Heavy Duty or TCPD Touch Pad is used.**

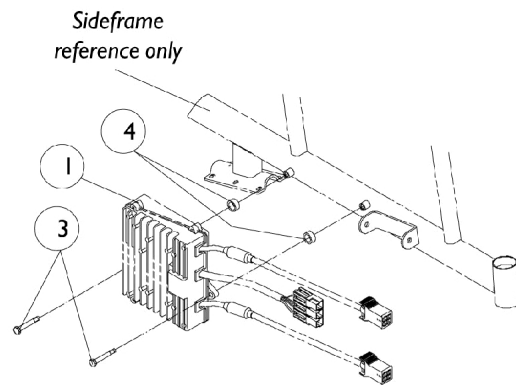
Item Number	Note	Part Number	Description	Quantity Per	
				Package	Assembly
1		1140898	Quad Link (QL) with Instruction Sheet - Right	1	1
1		1140899	Quad Link (QL) with Instruction Sheet - Left	1	1
2	A	1140425	Kit, Quad Link Latch Hardware	1	1
3	B	1140424-NLA	NLA - Kit, Quad Link Screw Fastener Hardware	1	1
4	C,C1	1142937	Kit, ASBA/ADJASBA Quad Link Mounting Hardware	1	1
5			Screw, Phillips Pan Head w/ Patch (#10-32 x 3/4")	1	2
6			Screw, Phillips Pan Head (#10-32 x 1-1/8")	1	2
7			Tie Wrap (11-1/2" L)	1	1
8			Spacer, Joystick Tube, Black	1	1
9			Tube, Joystick Offset (2")	1	1
10			Plug Button, Black (7/8")	1	1
5		1105414	Screw, Phillips Pan Head w/ Patch (#10-32 x 3/4")	1	2
11		1093071	Clamp, Fixed Height Joystick Tube	1	1
12	D	1139925-NLA	NLA - Kit, 1556 Heavy Duty Joystick To Quad Link Mounting Hardware	1	1
13			Screw, Phillips Pan Head (#10-32 x 1/2")	1	2
14			NLA - Plate, 1556 HD Joystick Quad Link	1	1
15	E	1139683-NLA	NLA - Kit, TCPD Touch Pad To Quad Link Mounting Hardware	1	1
16			Plate, TCPD Touch Pad Quad Link	1	1
17			Screw, Phillips Pan Head (#4-40 x 3/8")	1	4
	F	1134844	Instruction Sheet, Quad Link	1	1

NOTE: A - Latch Kit includes 4 ea. Button Head Cap Screws (10-32 x 3/8"), 2 ea. Latch Spring Assembly, 4 ea. Phillips Flat C'Sunk Head Screws, 2 ea. Spring Catch Plates, 2 ea. Socket Head Set Screws (10-32 x 3/8")  
 B - Screw Fastener Kit includes 4 ea. Socket Head Shoulder Screws (3/8 x 3/8"), 2 ea. Socket Head Cap Screws (1/4-20 x 3/8"), 2 ea. Socket Head Set Screws (1/4-20 x 1/2"), 4 ea. Socket Head Set Screws (10-32 x 1/8")  
 C - Includes items 5-10. The Quad Link Mounting Hardware accommodates MKIV RII, and PSF/PSR joysticks.  
 C1 - When ordering the Quad Link for the first time, Additional hardware is required for 1556 Heavy Duty and TCPD Touch Pad joysticks. See pictorial for reference.  
 D - Includes items 13 and 14  
 E - Includes items 16 and 17  
 F - Not Shown

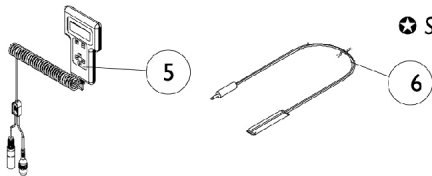
# MKIV Controller, Programmer and Attaching Hardware



**RII (Standard) Recliner  
Before 5/15/99,  
RII (Basic) Recliner and  
Non-Recliners**



**RII (Standard) Recliner  
After 5/14/99**



Standard and basic refers to chair model

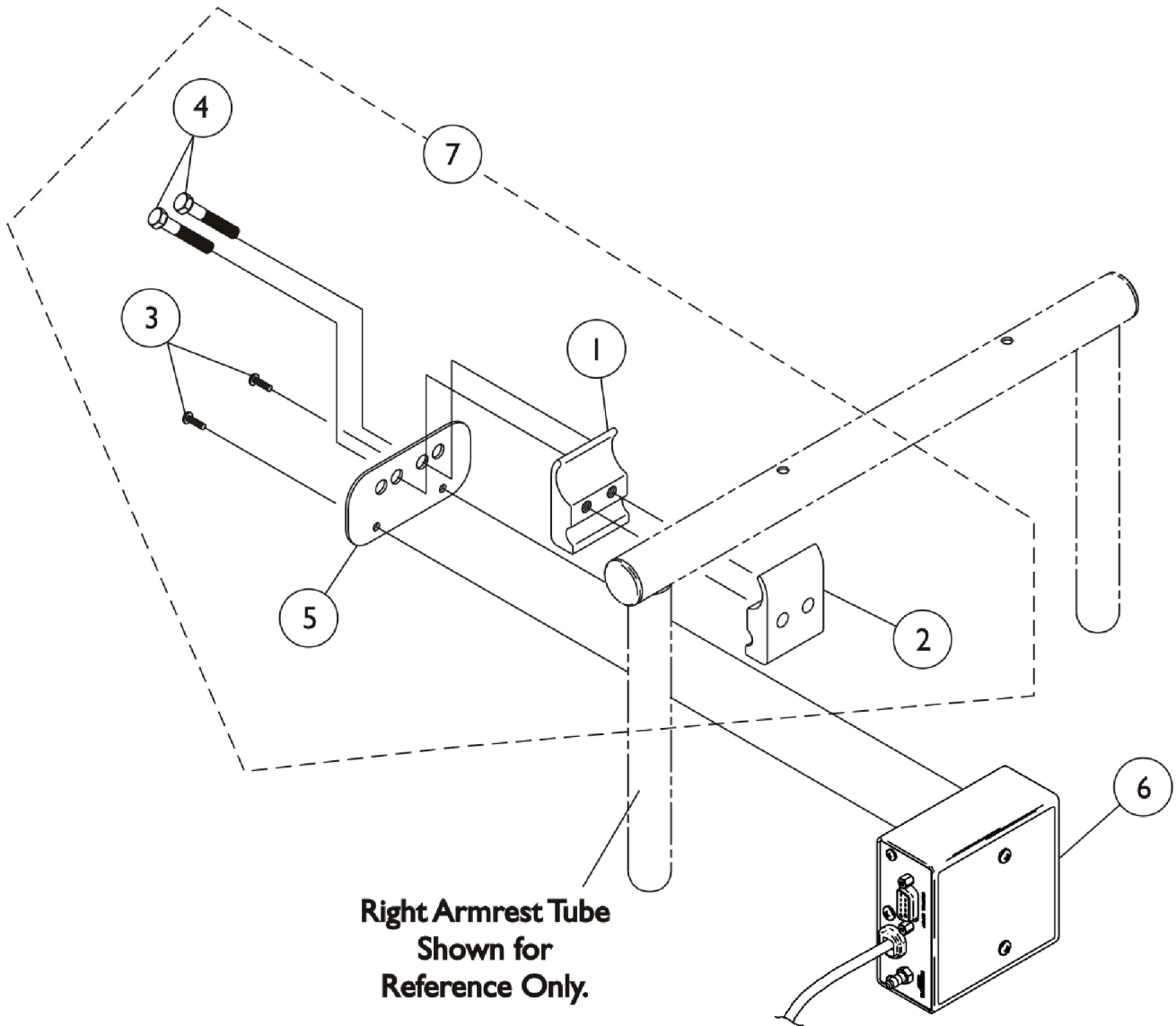


# MKIV Controller, Programmer and Attaching Hardware

Item Number	Note	Part Number	Description	Quantity Per	
				Package	Assembly
1		1105707-NLA	NLA - Controller, MKIV Quad Pulse	1	1
1	A,G	1095269-NLA	NLA - Controller, MKIV RII, Retro	1	1
2		1088897-NLA	NLA - Screw, Hex Head w/ Patch (1/4-20 x 1-1/4")	1	2
3		1088898-NLA	NLA - Screw, Hex Head w/ Patch (1/4-20 x 1-3/4")	1	2
4		1026102	Spacer (5/16 x 15/32 x 1/4")	1	2
5	B	1109091-NLA	NLA - Programmer, Remote	1	1
6		1020818	Switch, Red Flex Ribbon (Tape) Reset	1	1
6	H	1123276	Kit, Switch, Black Egg Reset w/ Hook/Loop Adhesive Back Fastener & Attaching Screws (EGSBLK)	1	1
	C	1064404-NLA	NLA - Virtual Service Modem Kit	1	1
	C,D	1095204-NLA	NLA - Cable, Virtual Service, Charger/Modem	1	1
	C	1091631-NLA	NLA - Virtual Service Software Kit	1	1
	C,E	1091980-NLA	NLA - Disk, 3.5 H.D. Floppy with V.S. Software	1	1
	C,E	1091637-NLA	NLA - Adaptor, Null Modem	1	1
	C,E	1091636-NLA	NLA - Service Manual - V.S. Software Kit	1	1
	C,E	1095204-NLA	NLA - Cable, Virtual Service, Charger/Modem	1	1
	C	1046117-NLA	NLA - Printer and Interface	1	1
	C,F	1026572-NLA	NLA - Paper, Printer	1	1
	C,F	1027280-NLA	NLA - Harness, Printer Wiring	1	1

NOTE: A - RII retro controller after 4/30/00 and RII joystick #1092610 are direct replacements for joystick/controller #1080723.  
 B - Remote Programmer #1109091 with the dual connectors (3-Pin and 5-Pin) is the only programmer functionable with the new RII joystick #1092610.  
 C - Not Shown  
 D - Part may be ordered individually or is included in the "Virtual Service Modem Kit."  
 E - Part may be ordered individually or is included in the "Virtual Service Software Kit."  
 F - Part may be ordered individually or is included in the "Printer and Interface."  
 G - After 4/30/00  
 H - Not Shown. After 5/23/04 the Egg Reset Switch became available as a service part and can be used as a direct replacement for the tape reset switch part # 1020818.

# MKIV Sip-N-Puff/ Digital Interface

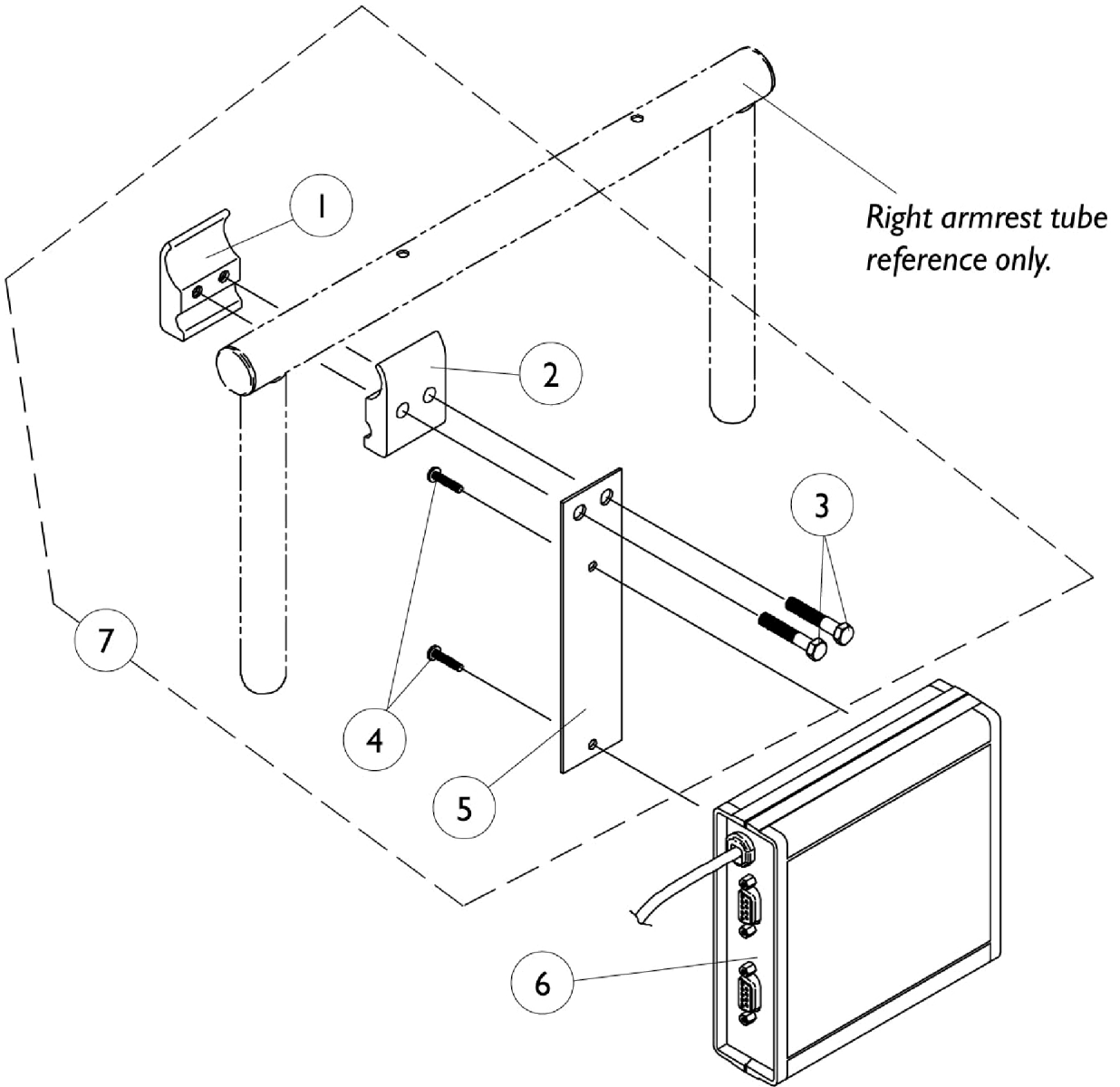


# MKIV Sip-N-Puff/ Digital Interface

SNP4M On Chair  
1038635 Off Chair

Item Number	Note	Part Number	Description	Quantity Per	
				Package	Assembly
6		1038635-NLA	NLA - Sip-N-Puff w/ Digital Interface	1	1
7	A,B	1049593	Kit, SNP/DI, MK5 SAC, 4WSB, S4WSB, GTAM, AUX12M6, AUX34M6 Mtg. Hdwr.	1	1
1			NLA - Half Clamp, Threaded Holes	1	1
2			Half Clamp, Non-Threaded Holes	1	1
3			NLA - Screw, Hex Head (1/4-20 x 1-1/8")	1	2
4			Screw, Phillips Pan Head (#4-40 x 3/8")	1	2
5			Plate, Mounting	1	1
NOTE: A - Includes items 1-5 B - As of 5/22/07 the Mounting Plate holes and the orientation of the Hardware was revised to attach the electronics closer to the chair. The Mounting Hardware Kit is backward compatible.					

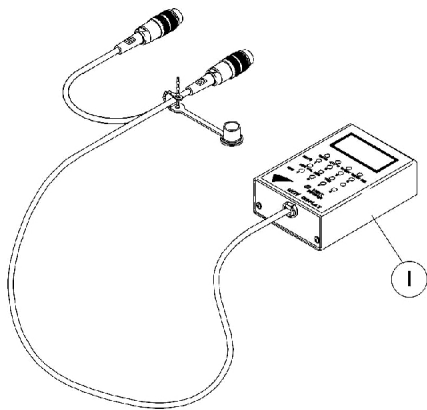
# COM12 and COM34



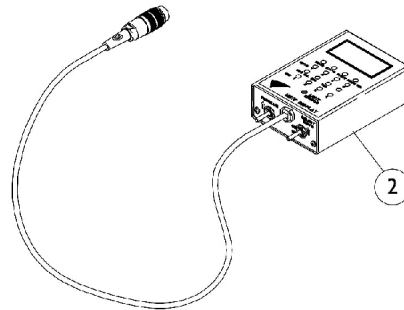
## COM12 and COM34

Item Number	Note	Part Number	Description	Quantity Per	
				Package	Assembly
6	C	See Note	See Footnote	1	1
6		1086241-NLA	NLA - Module, Communication, COM34/AUX34	1	1
7	A,B	1049592-NLA	NLA - Kit, COM12/AUX12 and COM34/AUX34 Mounting Hardware	1	1
1			NLA - Half Clamp, Threaded Holes	1	1
2			Half Clamp, Non-Threaded Holes	1	1
3			NLA - Screw, Hex Head (1/4-20 x 1-1/8")	1	2
4			NLA - Fastener, Dual Lock Hook and Loop Adhesive (2" W x 12" L)	1	1
5			NLA - Plate, COM12/AUX12 and COM34/AUX34 Mounting	1	1
NOTE: A - Item 4 Screw #1027264 was replaced with 4" long adhesive loop fastener 7/1/97. B - Includes Items 1-5 C - Part is no longer serviceable in the field.					

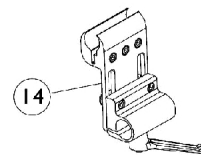
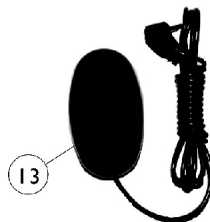
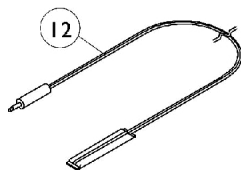
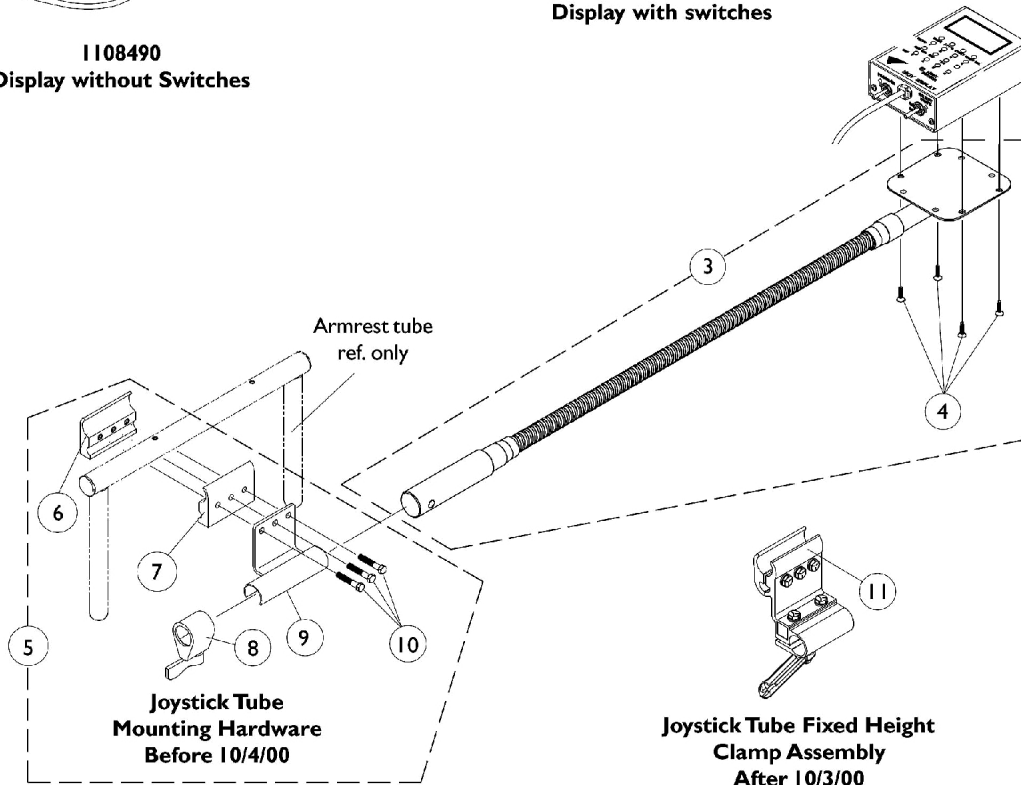
# MKIV Displays



**1108490**  
Display without Switches



**1108489**  
Display with switches



**14**  
Joystick Tube Adjustable Height  
Clamp Assembly

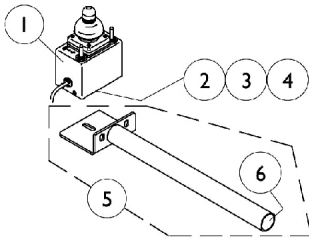
## MKIV Displays

Item Number	Note	Part Number	Description	Quantity Per	
				Package	Assembly
1		1108490-NLA	NLA - Display without Switches	1	1
2		1108489	Display with Switches	1	1
3	A	1049594-NLA	NLA - Tube, Flex with Screws	1	1
4		7930339-NLA	NLA - Package, Screw, Phillips Pan Head (#4-40 x 3/8")	1	4
5	B	1049591-NLA	NLA - Hardware, Joystick Tube Mounting	1	1
6		1027267-NLA	NLA - Half Clamp, Threaded Holes	1	1
7		1027266	Half Clamp, Non-Threaded Holes	1	1
8		1027274	Adjustment Lock Assembly, Black	1	1
9		1049582-NLA	NLA - Bracket, Joystick Mounting, Black	1	1
10		16690X004-NLA	NLA - Screw, Hex Head (1/4-20 x 1-1/8")	1	1
11	C	1093071	Clamp, Fixed Height Joystick Tube	1	1
12	D	1020818	Switch, Red Flex Ribbon (Tape) Reset	1	1
13	E	1123276	Kit, Switch, Black Egg Reset w/ Hook/Loop Adhesive Back Fastener & Attaching Screws (EGSBLK)	1	1
14		1139422	Clamp, Height Adjustable Joystick Tube (ARM250)	1	1

NOTE: A - Includes the Flex Tube and item 4  
 B - Before 10/4/00 and includes items 6-10  
 C - After 10/3/00 and can be used as a direct replacement for the Joystick Tube Mounting Hardware part number 1049591 in the field  
 D - Before 5/24/04  
 E - After 5/23/04 the Egg Reset Switch replaced the Red Flex Ribbon (Tape) Reset Switch

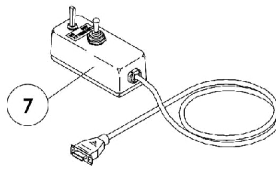
# MKIV Joystick Options

## REMOTE JOYSTICK



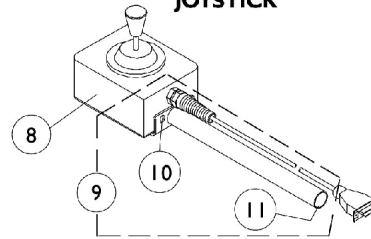
ON CHAIR: 1555M4  
 OFF CHAIR: Ⓢ1038634  
 Used with display w/o switches  
 1108490

## ATTENDANT CONTROL JOYSTICK



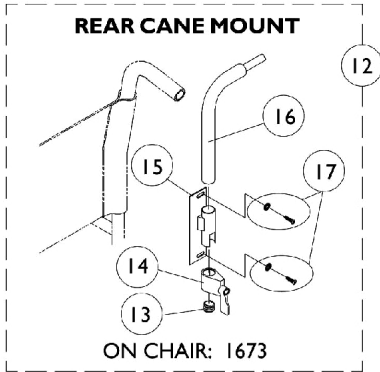
ON CHAIR: 1552M4  
 OFF CHAIR: Ⓢ1025590

## HEAVY DUTY JOYSTICK



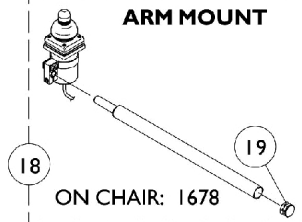
ON CHAIR: 1556M4  
 OFF CHAIR: Ⓢ1041544  
 Used with display w/ switches  
 1108489

## REAR CANE MOUNT



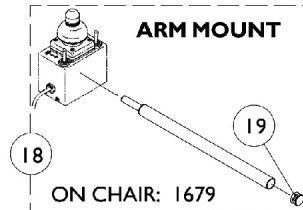
ON CHAIR: 1673

## ARM MOUNT



ON CHAIR: 1678

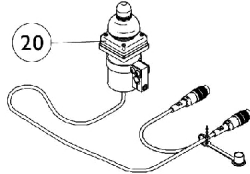
## ARM MOUNT



ON CHAIR: 1679

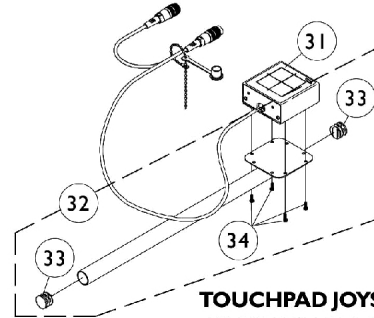
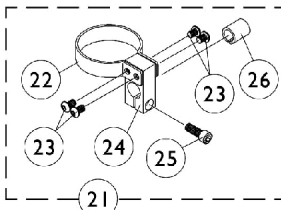
**NOTE:** Arm mounting tube shown above and additional arm mounting hardware are shipped when the On-Chair model number 1678 or 1679 is ordered.

## DUAL/COMPACT JOYSTICK W/ MTG. HARDWARE



ON CHAIR: 1812M4/1558M4  
 OFF CHAIR: Ⓢ1038638

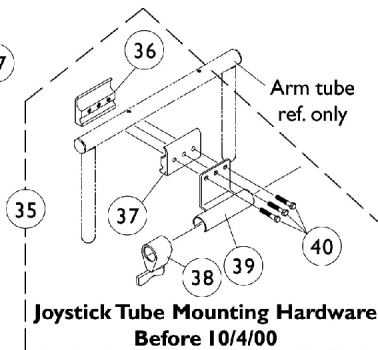
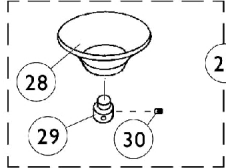
## DUAL/COMPACT JOYSTICK MOUNTING HARDWARE



## TOUCHPAD JOYSTICK

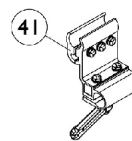
ON CHAIR: TCPDM4  
 OFF CHAIR: Ⓢ1091353

Used with display w/ switches  
 1108489

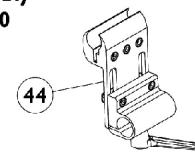


Joystick Tube Mounting Hardware  
 Before 10/4/00

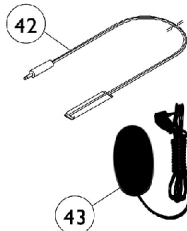
Ⓢ Reset Switch may be required.



Joystick Tube Fixed Height  
 Clamp Assembly  
 After 10/3/00



Joystick Tube Adjustable Height  
 Clamp Assembly





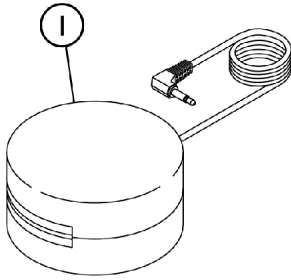
## MKIV Joystick Options

Item Number	Note	Part Number	Description	Quantity Per	
				Package	Assembly
1	N	See Note	See Footnote	1	1
2		1010848-NLA	NLA - Clamp, Universal Swivel	1	1
3		12595X000	Handle, Lock, Chrome	1	1
4		15108X000	Locknut (1/4-20)	1	1
5		1044928-NLA	NLA - Joystick Tube with Plug Button Assembly	1	1
6		1027095	Plug Button, Black (7/8")	1	1
7		1025590	Joystick, Attendant Control (1552M)	1	1
8		1041544-NLA	NLA - Joystick, Heavy Duty	1	1
9	A	1052719-NLA	NLA - Kit, Straight Joystick Tube with Hardware	1	1
10		1016401-NLA	NLA - Screw, Phillips Round Head (#10-32 x 3/8")	1	3
11		1027095	Plug Button, Black (7/8")	1	1
12	B	1044917	Hardware, Rear Cane Mount (1673/RCM)	1	1
13		1027095	Plug Button, Black (7/8")	1	1
14		1027274	Adjustment Lock Assemnbly, Black	1	1
15		1025245-NLA	NLA - Bracket, Upright, Black -Right	1	1
16		1044918-NLA	NLA - Tube, Joystick	1	1
17		1076284	Screw w/ Washer (#10 x 7/8")	2	1
18	C	1052309	Tube, Arm Mount with Plug Button, Black	1	1
19		1027095	Plug Button, Black (7/8")	1	1
20		1038638-NLA	NLA - Joystick, MKIV Dual/Compact	1	1
21	D	1108012	Hardware, Dual/Compact Joystick Clamp Mounting	1	1
22		1025048	Clamp	1	1
23		1021460	Screw, Socket Button Head (#10-32 x 5/16")	1	4
24		1025045-NLA	NLA - Clamp, Mounting	1	1
25		1027089-NLA	NLA - Screw, Socket Head (#10-24 x 1/2")	1	1
26		1026273-NLA	NLA - Spacer, Split (3/8" I.D.)	1	1
27	E	60102524	Kit, Chin Cup Assembly - 1826	1	1
28		1017545	Cup, Chin	1	1
29	O	1017612-NLA	NLA - Screw, Adaptor	1	1
30		90032X000	Screw, Set Socket Cup Point (#8-32 x 1/4")	1	2
31		1091353-NLA	NLA - Touchpad, Joystick Assembly	1	1
32	F	1092604-NLA	NLA - Kit, Straight Joystick Tube with Hardware	1	1
33		1027095	Plug Button, Black (7/8")	1	2
34		1052041	Screw, Phillips Pan Head (#4-40 x 3/8")	1	4
35	G	1049591-NLA	NLA - Hardware, Joystick Tube Mounting	1	1
36		1027267-NLA	NLA - Half Clamp, Threaded Holes	1	1
37		1027266	Half Clamp, Non-Threaded Holes	1	1
38		1027274	Adjustment Lock Assemnbly, Black	1	1
39		1049582-NLA	NLA - Bracket, Joystick Mounting, Black	1	1
40		16690X004-NLA	NLA - Screw, Hex Head (1/4-20 x 1-1/8")	1	3
41	H	1093071	Clamp, Fixed Height Joystick Tube	1	1
42	I	1020818	Switch, Red Flex Ribbon (Tape) Reset	1	1
43	J	1123276	Kit, Switch, Black Egg Reset w/ Hook/Loop Adhesive Back Fastener & Attaching Screws (EGSBLK)	1	1

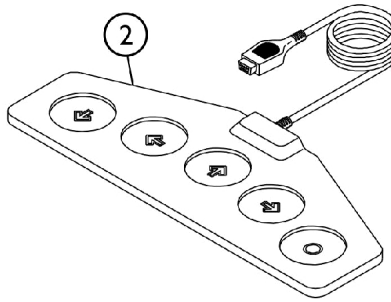
## MKIV Joystick Options

Item Number	Note	Part Number	Description	Quantity Per	
				Package	Assembly
44		1139422	Clamp, Height Adjustable Joystick Tube (ARM250)	1	1
	K	1108490-NLA	NLA - Display without Switches	1	1
	L	1108489	Display with Switches	1	1
<p>NOTE: A - Includes the joystick tube and items 10 and 11            B - Includes items 13-17            C - For On-Chair model numbers 1678 and 1679. Includes the joystick tube and item 19            D - Includes items 22-26            E - Includes items 28-30            F - Includes the joystick tube, items 33 and 34            G - Before 10/4/00 and includes items 36-40            H - After 10/3/00. Individual components are non-saleable. Can be used as a direct replacement in the field for the Joystick Tube Mounting Hardware part number 1049591.            I - Before 5/24/04            J - After 5/23/04. The Egg Reset Switch replaced the Red Flex Ribbon (Tape) Reset Switch            K - Not Shown and used with the Remote Joystick            L - Not Shown and used with the Heavy Duty and Touch Pad Joystick            N - No longer available as a service part in the field.            O - Part #1017612 is no longer available as a service part individually. Order item #27 as a replacement.</p>					

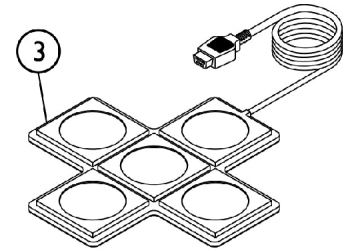
# Tash and Therafin Accessories



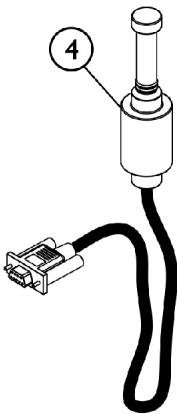
**P5820 Red Soft Switch**  
**P5821 Green Soft Switch**



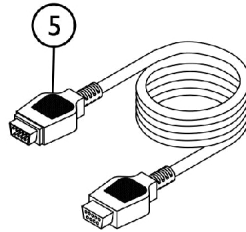
**P5018 Wafer Board**



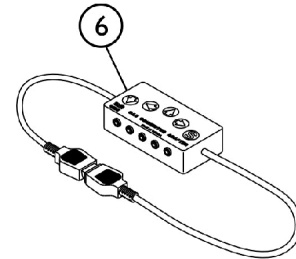
**P5026 Star Control**



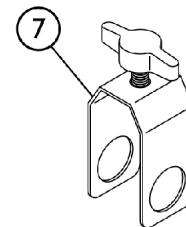
**P5020 Mini Joystick with Push**



**P4337 Multi-Ability Cable**



**P4353-CA5 Multi-Connector Box**



**P5970 "U" Clamp**

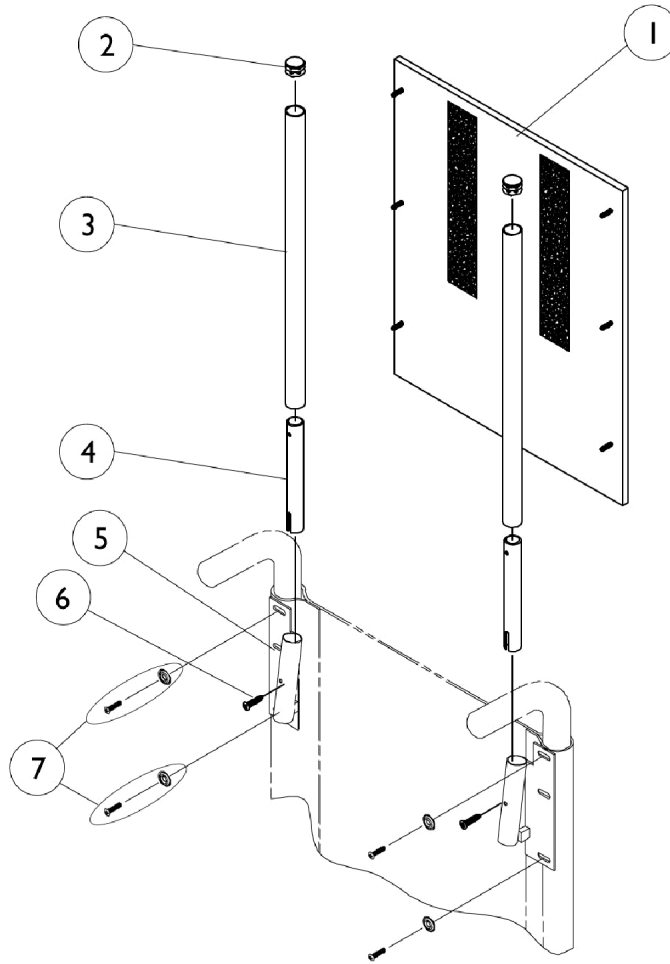
SHEP\_090A

## Tash and Therafin Accessories

Item Number	Note	Part Number	Description	Quantity Per	
				Package	Assembly
1		P5820-NLA	NLA - Switch, Red Soft	1	1
1		P5821	NLA - Switch, Green Soft	1	1
2	C	P5018-NLA	NLA - Wafer Board (5018)	1	1
3	C	P5026-NLA	NLA - Star Control	1	1
4	C	P5020-NLA	NLA - Mini Joystick with Push (5020)	1	1
5		P4337-NLA	NLA - Multi-Ability Cable	1	1
6		P4353-NLA	NLA - CA5 Multi-Connector Box	1	1
7		P5970-NLA	NLA - Clamp, "U"	1	1
	B	1142362	Bib Assembly (PKG32669)	1	1
	B	P21456-NLA	NLA - Adaptor Clamp - Tash	1	1
	B	P21457-NLA	NLA - Adaptor Clamp - Invacare	1	1
	B	P21460-NLA	NLA - Midline Swingway System	1	1
	A,B	1140824	Kit, Sip-N-Puff, 16" Fixed (PKG32666) Includes: (3) Air Tube Straws, (2) Saliva Traps, Tubing, Pivot Shaft/Flexible Metal Gooseneck Assembly, and Extruded Figure "8" Clamp to fit 7/8" Wheelchair Frame Tubing. Extruded Back Cane Adapter Clamp.	1	1
	B	1108489	Display with Switches	1	1

NOTE: A - See items included.  
B - Not Shown  
C - Must be used with display with switches part #1108489.

# Headrest Extension (9110L) (For Non-Recliners Only)



**Item #1 - Headrest Upholstery**

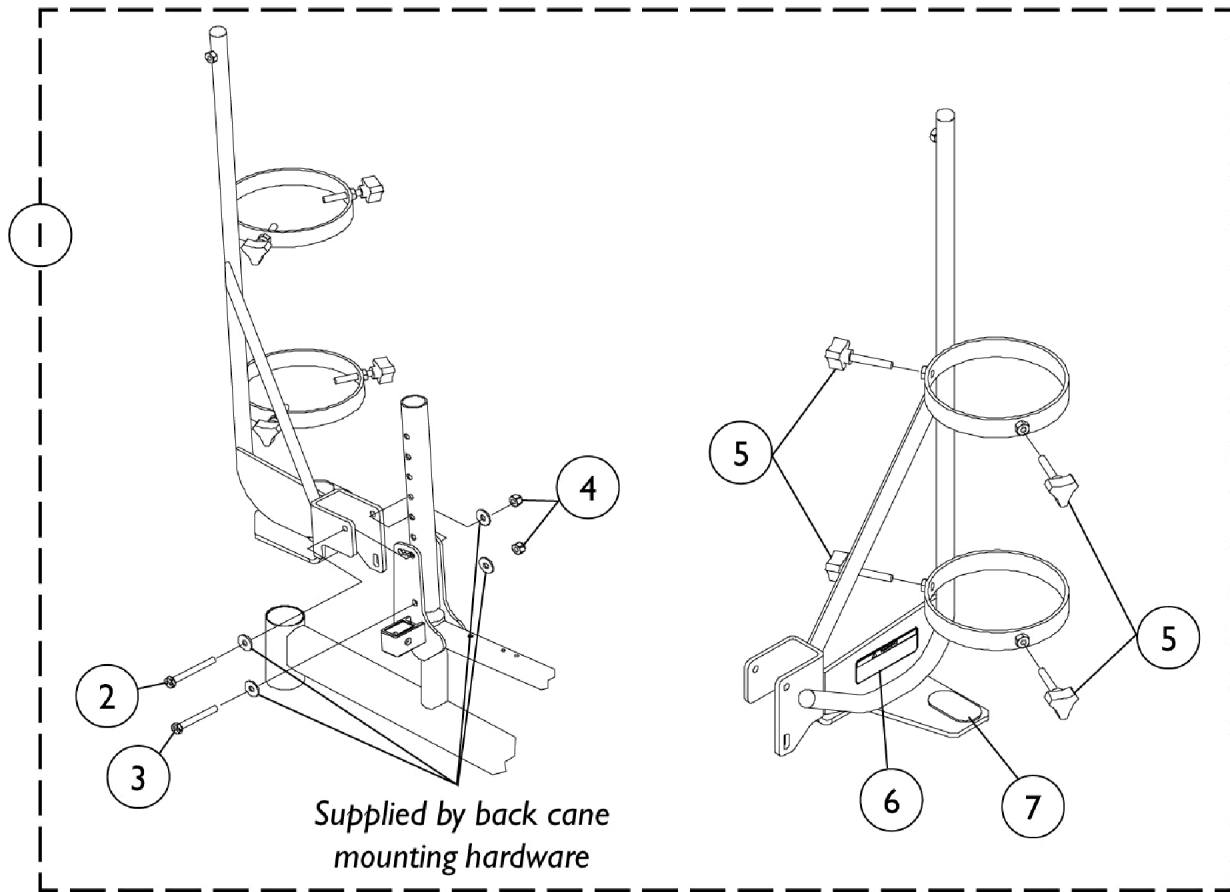
Chair Width	Nylon	Vinyl
14" W	8881052586-NLA	8881054633-NLA See Note(s) A
16" W	8881052588-NLA	8881054638-NLA See Note(s) A
18" W	8881052590-NLA	8881054637-NLA See Note(s) A
20" W	8881052592-NLA	8881054639-NLA See Note(s) A

NOTE: A - Specify upholstery color when ordering. See page titled "Frame Finishes, Touch-Up Paints and Upholstery Colors."

## Headrest Extension (9110L) (For Non-Recliners Only)

Item Number	Note	Part Number	Description	Quantity Per	
				Package	Assembly
1		See Chart	#1 - Headrest Upholstery	1	1
2		1027095	Plug Button, Black (7/8")	1	2
3		1054605-NLA	NLA - Tube, Headrest Extension	1	2
4		1028756-NLA	NLA - Tube, Insert	1	2
5		1028752-NLA	NLA - Bracket, Headrest, Black - Right	1	1
5		1028753	Bracket, Headrest, Black - Left	1	1
6		1028484	Screw, Phillips Pan Head Tap (#10-32 x 1/2")	1	2
7		1031095	Screws with Washers (#10-16 x 7/8")	1	4
7		1076284	Screw w/ Washer (#10 x 7/8")	4	1

# Oxygen Holder Assembly



Item Number	Note	Part Number	Description	Quantity Per	
				Package	Assembly
1		1098857-NLA	NLA - Oxygen Holder Assembly Kit	1	1
2		1096839-NLA	NLA - Screw, Hex Head (1/4-20 x 2-1/4")	1	1
3		1096838-NLA	NLA - Screw, Hex Head (1/4-20 x 2")	1	1
4		1025736	Locknut (1/4-20)	1	1
5		1027684	Knob, Clamping, Black	1	4
6		1080866	Decal, Oxygen Warning - English	1	1
7		1072002-NLA	NLA - Pad, Non Skid	1	1
	A,B	1098333-NLA	NLA - Instruction Sheet, Oxygen Holder	1	1
	A	1097276-NLA	NLA - Carton, Shipper	1	1

NOTE: A - Not Shown  
 B - Item is no longer available from the Invacare Service Parts Department. Refer to the Invacare Website under "Product Literature Search". Enter the part number in the "Keywords" field and download a free PDF version copy.

# Power Wheelchair Tool Kit

1



**Multimeter with Leads**



**Grounding Wire**



**1" Test Leads**



**Protractor/Angle Locator**



**Invacare Pen Light**



**Invacare Tape Measure**



**Invacare Phillips/Flat Head Screwdriver**



**MKIV Programmer**



**Virtual Service Charger Cable**



## Power Wheelchair Tool Kit

Item Number	Note	Part Number	Description	Quantity Per	
				Package	Assembly
1		1125222-NLA	NLA - Kit, Power Wheelchair Tool Includes: 1 ea. Multimeter with Leads 1 ea. Locator, Protractor/Angle Magnetic Base 1 ea. Instructions, MKIV Programmer 1 ea. Wire, Grounding with Hand Strap and Clip 1 ea. Leads, 1" Test 1 ea. Light, Pen with Invacare Logo 1 ea. Tape Measure, Compact with Invacare Logo 1 ea. Screwdriver, Pen-Size Phillips/Flat Head 1 ea. Cable, Virtual Service Charger/Modem	1	1

## Miscellaneous Accessories

Item Number	Note	Part Number	Description	Quantity Per	
				Package	Assembly
		8881047956-NL A	NLA - Pocket, Carrying, Nylon (14" W Chair)	1	1
		8881047959	Pocket, Carrying, Nylon (16 - 20" W Chair)	1	1
	A	8881047954-NL A	NLA - Pocket, Carrying, Expanded Vinyl (14" W Chair)	1	1
	A	8881047957	Pocket, Carrying, Expanded Vinyl (16 - 20" W Chair)	1	1
		1063287-NLA	NLA - Extension Handle Assembly, Clutch (Pair)	2	1
		1058899	Wheel Lock Extension Handle Assembly, Black (6")	1	2
		1058900	Wheel Lock Extension Handle Assembly, Black (8")	1	2
		TAGTS1034751- NLA	NLA - Strap, Positioning, Seat/Chest w/ Airline Style Buckle (Eyelet to Eyelet Length 46")	1	1
		1004310	Strap, Positioning, Seat/Chest w/ Auto Style Push Button Buckle (Eyelet to Eyelet Length 48")	1	1
		1034744	Strap, Positioning, Seat/Chest w/ Hook and Loop Style Buckle (Eyelet to Eyelet Length 45")	1	1
		40176X010-NLA	NLA - Pump, Tire	1	1
NOTE: A - Specify upholstery color when ordering. See page titled "Frame Finishes, Touch-Up Paints and Upholstery Colors."					
NOTE: These items are not shown.					

# Warranty Replacement Parts

Part Number	Description	QTY per Assembly
1123249E-NLA  See Note(s) A	WARR RPLMT - Charger, Battery, 8 Amp. 115vac (Off Board) Single Mode Round Plug w/ AC Power Line Cord, CTE Corp.	1

NOTE: A - See "Battery Charger & Harnesses" Category for more information.

**Invacare Corporation**

[www.invacare.com](http://www.invacare.com)



**Yes, you can.**

One Invacare Way  
Elyria, Oh USA  
44036-2125  
800-333-6900

Technical Support  
800-832-4707  
Customer Service  
800-333-6900

Customer Service  
800-333-6900

© 2022 Invacare Corporation. All rights reserved. Republication, duplication or modification in whole or in part is prohibited without prior written permission from Invacare. Trademarks are identified by <sup>TM</sup> and ©. All trademarks are owned by or licensed to Invacare Corporation or its subsidiaries unless otherwise noted. (Revised 08/30/22)

Form No. 95-172