

**Storm Series®
Power 9000
(After 11/14/1995)**

Power Wheelchair



Yes, you can.

Parts Catalog Usage Guide

The information contained in this document is subject to change without notice. This catalog contains service parts for Form No. 95-143. If you have any questions regarding this catalog, please contact one of our Customer Service Representatives.

For Customer Service Support Call:

1-800-333-6900

For Faxed In Orders Call:

1-800-678-4682 or

1-440-366-0709

For Technical Service Call:

1-800-832-4707

Literature Can Be Found at:

www.invacare.com or

1-800-828-6272

SYMBOL DEFINITION

Throughout this catalog you will notice letters to draw your attention to specific footnotes which are located at the bottom of the page or below specified charts.

Examples:

A,B,C etc. = Special Comments

NOTE: = General information pertaining to that specific page

NLA = No Longer Available

HARDWARE MEASUREMENTS

The measurements for the hardware will be listed as follows:

Screws, Bolts Diameter X Thread Count/Pitch X Length

Washers Inside Diameter X Outside Diameter X Thickness

Spacers Inside Diameter X Outside Diameter X Length

For your convenience, we have supplied an area for you to list your Invacare Representatives.

Name	Phone Numbers

© 2022 Invacare Corporation. Elyria, Ohio. Invacare, Yes, you can., the Medallion Design, and Storm Series are registered trademarks and Power 9000, and MKIV are trademarks of Invacare Corporation. Bussman is a registered trademark of Cooper Industries. MIDI is a registered trademark of Littelfuse Inc.. Dynamic is a registered trademark of Dynamic Controls Limited.

TABLE of CONTENTS

Description	Page Number
Accessories - Miscellaneous	97
Accessories - Power Wheelchair Tool Kit	98
Arms - Adjustable Height	22
Arms - Fixed Height	24
Battery Charger & Harness	37
Battery Tray & Hangers	34
Canes - Back & Headrest Extension (9110L)	15
Casters & Forks	27
Crossbraces & Seat Extensions	12
Electronics - INT. Controller - Programmer & Attaching Hardware	84
Electronics - MKIV Mid-Line Swing Bracket Assembly	91
Electronics - MKIV RII Joystick - Controller & Hardware	86
Electronics - MKIV Swivel Joystick Hardware	89
Electronics - Quad Link Assembly (Before 4/07/06)	93
Electronics - Quad Link Assemblys - QL (After 4/06/06)	95
Frame Finishes - Touch-Up Paints & Upholstery Options	5
Frames - Side & Hardware	10
Front Riggings - Adjustable Angle Footplate Assemblies, AT5543 - PW93, PW93E	73
Front Riggings - Footrest and Legrest Accessories	82
Front Riggings - Footrest Supports - P93	45
Front Riggings - Footrest Supports - P93E	53

TABLE of CONTENTS

Description	Page Number
Front Riggings - Footrest Supports - P93M	57
Front Riggings - Footrest Supports - P93ST	49
Front Riggings - Footrest Supports - PW93	47
Front Riggings - Footrest Supports - PW93E	55
Front Riggings - Footrest Supports - PW93ST	51
Front Riggings - Legrest Supports - P904A	59
Front Riggings - Legrest Supports, Articulating - PAS4A/PAL4A	62
Front Riggings - One Piece Wooden Footboard and Hardware - (S1263)	75
Front Riggings - One Piece Wooden Footboard and Hardware - (S1263) For PW93, PW93E	78
Front Riggings - Pivot/ Slide Tube and Footplate - P904, PAL4A, PAS4A	71
Front Riggings - Pivot/ Slide Tube and Footplate - P93, P93E, and P93M	65
Front Riggings - Pivot/ Slide Tube and Footplate - P93ST / PW93ST	69
Front Riggings - Pivot/ Slide Tube and Footplate - PW93, PW93E	67
Front Riggings - Reference Chart	39
Front Riggings - Reference Chart - 2" and 4" Longer Pivot/Slide Tubes	43
Motor Gearboxes	33
Packaging - Literature & Decals	8
Seats - Solid Folding	20
Upholstery - Seat & Back	17
Warranty Replacement Parts	100
Wheel Locks	31

TABLE of CONTENTS

Description	Page Number
Wheels - Rear - Anti-Tippers & Motor Attaching Hardware	29

Frame Finishes, Touch-Up Paints and Upholstery Options

Frame Finishes and Touch-Up Paint

Color Number	Part Number	Bottle Size	Color
02P	1031452-NLA	.6 oz	Pink Pearl
06P	1031454-NLA	.6 oz	Super Teal
08P	1031456-NLA	.6 oz	Deep Purple
17P	1046319-NLA	.6 oz	Cobalt Blue
22P	1033376-NLA	.6 oz	Anthracite
24P	1031450-NLA	.6 oz	Wet Black
29P	1031447-NLA	.6 oz	White
30P	1031448-NLA	.6 oz	Sunny Yellow
31P	1031453-NLA	.6 oz	Lollipop Pink
33P	1031455-NLA	.6 oz	Red
34P	1046327-NLA	.6 oz	Flat Black
61P See Note(s) A	1046321-NLA	.6 oz	Electric Red
62P See Note(s) A	1046320-NLA	.6 oz	Electric Blue
64P See Note(s) A	1046324-NLA	.6 oz	Metallic Blue
65P See Note(s) A	1046323-NLA	.6 oz	Metallic Green
69P	1101320-NLA	.6 oz	Teflon Black
71P	N/A	N/A	Silver Vein
80P	1073892-NLA	.6 oz	Evergreen with Navy
81P	1073893-NLA	.6 oz	Dark Olive with Copper
82P	1073894-NLA	.6 oz	Fruit Punch with Fuchsia
83P	1073895-NLA	.6 oz	Royal Blue with Grape
84P	1073896-NLA	.6 oz	Lavender
101P	1101325-NLA	.6 oz	Jeweled Green
102P	1101327-NLA	.6 oz	Denim Blue
103P	1101324-NLA	.6 oz	Mocha Frost
104P	1101316-NLA	.6 oz	Electric Teal
105P	1101326-NLA	.6 oz	Midnight Blue

NOTE: A - Veiling is not available on these colors.

Frame Finishes, Touch-Up Paints and Upholstery Options

Veil Options

Color Number	Color
13V	Dark Purple Veil
67V	Gold Veil
19V	Green Veil
15V	Grey Veil

Upholstery Options

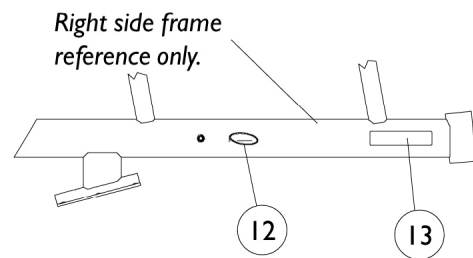
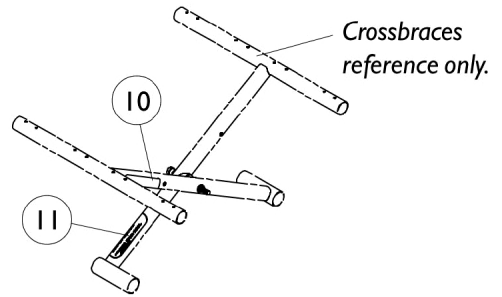
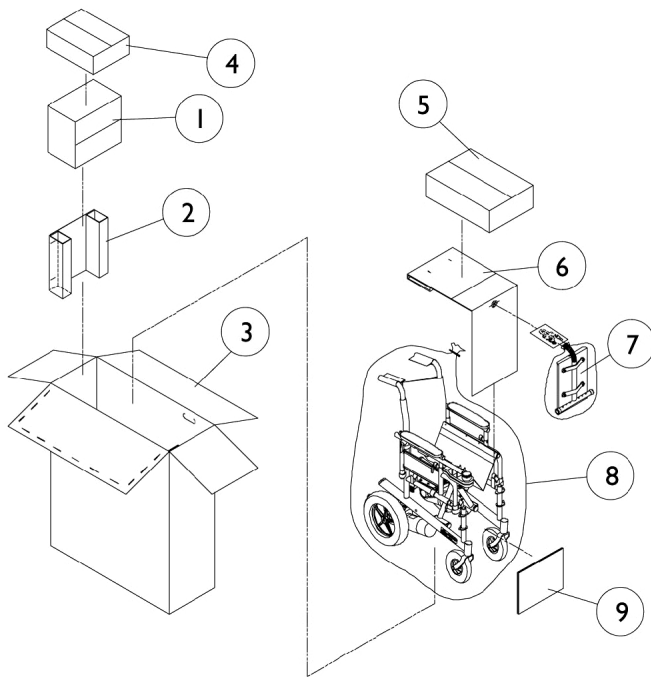
Vinyl Colors	Nylon Colors
U67 Black	U240 Black
U75 Dove Grey	
U85 Dark Blue	
U86 Ruby	
U97 Sky Blue	
U88 Camel	

Frame Finishes, Touch-Up Paints and Upholstery Options

Sparkle Frame Finishes

Color Number	Color
72P	Twilight Sparkle
73P	Gold Sparkle
74P	Sparkle
75P	Blue Sparkle
76P	Red Sparkle
88P	Black w/Twilight Sparkle

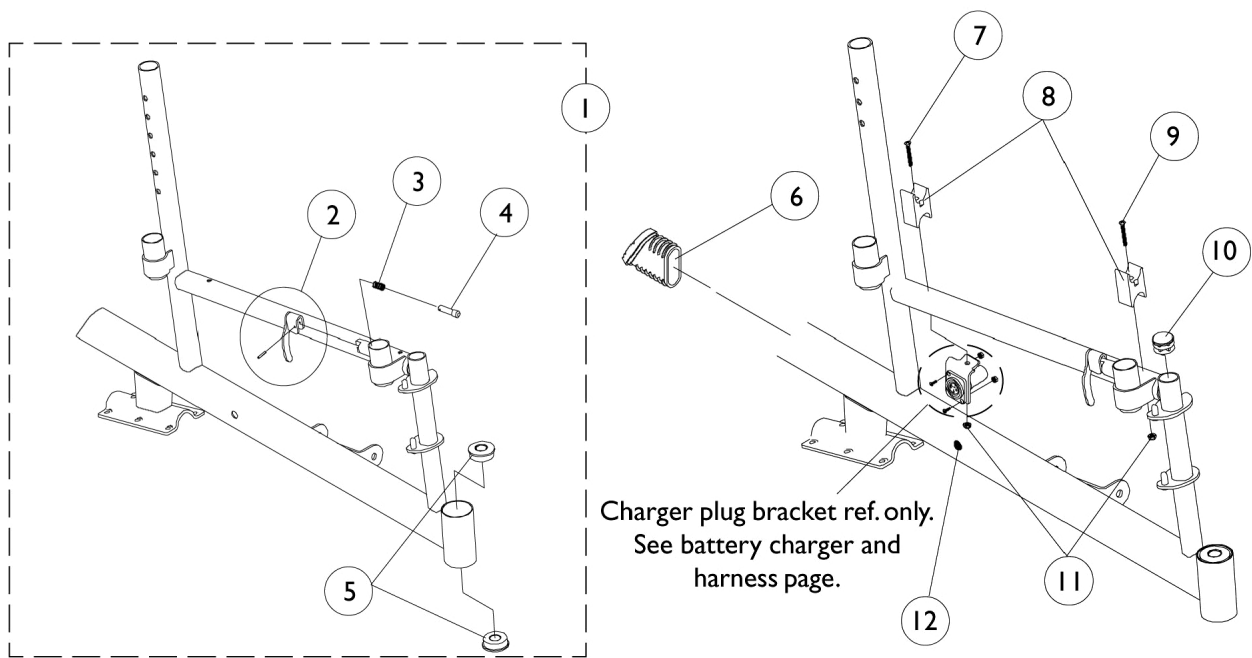
Packaging, Literature and Decals



Packaging, Literature and Decals

Item Number	Note	Part Number	Description	Quantity Per	
				Package	Assembly
1		1023167-NLA	NLA - Carton, Battery Boxes	1	1
2		1023166-NLA	NLA - Insert	1	1
3		1074355-NLA	NLA - Carton	1	1
4		40131X148-NLA	NLA - Carton, Hardware	1	1
5		40131X011-NLA	NLA - Carton, Front Riggings	1	1
6		1023165-NLA	NLA - Insert, Carton	1	1
7		1021866-NLA	NLA - Bag, Poly (26" L x 15" W)	1	1
8		1015592	Bag, Poly (72" L x 35" W x 19" D)	1	1
9		40131X039-NLA	NLA - Insert, Carton	1	1
10		1035900	Decal, Transportation	1	1
11		1119281-NLA	NLA - Plate, Name, Patent Numbers	1	1
12		1090146-NLA	NLA - Decal, Invacare 3-D Logo (1-19/32" L)	1	2
13	A,B	1095222-NLA	NLA - Decal, Model, Black - P9000	1	2
13	A	1095223-NLA	NLA - Decal, Model, White - P9000	1	2
	C	1065145-NLA	NLA - Decal, Virtual Service	1	2
	C	1056092-NLA	NLA - Instruction Manual, INT-P9	1	1
	C	1095272-NLA	NLA - Instruction Manual, MKIV RII	1	1
	C	1080737-NLA	NLA - Owner's Manual - P9000 and Excel	1	1
	C	1085397-NLA	NLA - Service Manual - Excel	1	1
<p>NOTE: A - Invacare logo added and model decals changed 1/11/2000. When replacing side frames before 1/11/2000 order decals in pairs to match. B - Used for chairs with frame colors 02P, 29P, 30P and 84P only. C - Not Shown</p> <p>NOTE: When adjusting or replacing parts, please refer to your Owner's Manual.</p>					

Side Frames and Hardware



Side Frames and Hardware

Item #1 Side Frames

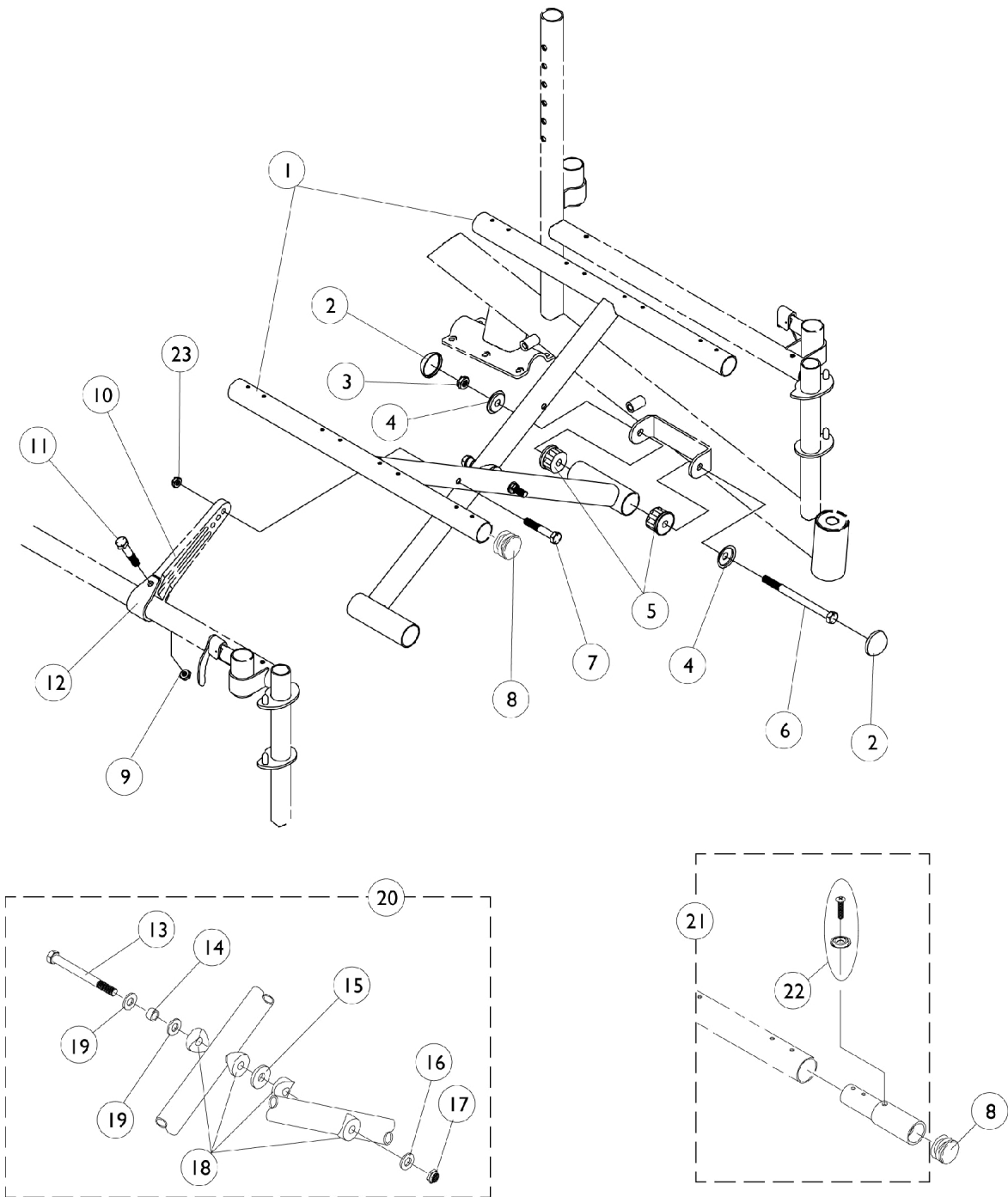
#1 Side Frames	Part Number
Adult 14", 16", 18" 20" Wide - Right	8881057898-NLA See Note(s) B, A
Adult 14", 16", 18" 20" Wide - Left	8881057899-NLA See Note(s) A, B
Hemi 16", 18" 20" Wide - Right	8881057931-NLA See Note(s) B, A
Hemi 16", 18" 20" Wide - Left	8881057932-NLA See Note(s) B, A

NOTE: A - Specify frame color when ordering, see page titled "Frame Finishes, Touch-Up Paints and Upholstery Options."
B - Decals not included with frame, see page titled "Packaging, Literature and Decals".

Item Number	Note	Part Number	Description	Quantity Per	
				Package	Assembly
1		See Chart	#1 Side Frames and Hardware	1	1
2		1090768	Kit, Lock Handle w/Rivets (Pair)	2	1
3		47471X074	Spring, Arm Lock	1	1
4		1028594	Pin, Arm Lock, Black	1	1
5		40117X006	Bearing (5/8")	1	2
6		1059371-NLA	NLA - Cap, End, Oval	1	1
7	A	1085124-NLA	NLA - Screw, Socket Flat Head (#10-32 x 1-3/4")	1	1
8		1007541	Clamp, Seat	1	2
9	A	1085134-NLA	NLA - Screw, Socket Flat Head (#10-32 x 1-5/8")	1	1
10		1027095	Plug Button, Black (7/8")	1	1
11		1025731	Locknut (#10-32)	1	2
12		1058520-NLA	NLA - Fastener, Panel Snap-In	1	1

NOTE: A - Screws changed 9/16/99 and serves as a direct replacement for chairs manufactured Before 9/16/99.

Crossbraces and Seat Extensions



Crossbraces and Seat Extensions

Item Number	Note	Part Number	Description	Quantity Per	
				Package	Assembly
1		See Chart	Item #1 Crossbraces	1	2
2		1028835-NLA	NLA - Cap, Hub, Black	1	4
3		60264X001	Locknut (5/16-24)	1	2
4		1028491-NLA	NLA - Washer, Caplugs (11/32" I.D. x 1" O.D.)	1	4
5		1056708-NLA	NLA - Plug, Pivot Tube	1	4
6		1038179-NLA	NLA - Screw, Hex Head (5/16-24 x 4-1/4")	1	2
	C,B	1057830-NLA	NLA - Hardware, Crossbrace Pivot Tube	1	1
7		1024793-NLA	NLA - Screw, Hex Head (1/4-20 x 1-3/4")	1	2
8		1029501	Plug Button, Black (1")	1	4
9		1025195	Locknut (1/4-20)	1	2
10		1057382-NLA	NLA - Link, Pivot, Hemi, Black (16 - 18" W)	1	2
10		1057383-NLA	NLA - Link, Pivot, Hemi, Black (19 - 20" W)	1	2
10		1057384-NLA	NLA - Link, Pivot, Adult, Black (14 - 15" W)	1	2
10		1057385-NLA	NLA - Link, Pivot, Adult, Black (16 - 18" W)	1	2
10		1057386-NLA	NLA - Link, Pivot, Adult, Black (19 - 20" W)	1	2
11		1030949	Screw, Hex Head (1/4-20 x 1-1/2")	1	2
12		1057828-NLA	NLA - Strap, Pivot Link	1	2
13		1098625	Screw, Hex Head (5/16-24 x 3-1/2")	1	1
14		1037913-NLA	NLA - Bushing (5/16 x 7/16 x 9/32")	1	1
15		1016301	Washer, Nylon (5/16 x 7/8 x 1/8")	1	1
16		1025704	Washer, Flat (5/16 x 5/8 x 1/16")	1	1
17		1025730	Locknut (5/16-24)	1	1
18		1016263	Spacer, Coved (3/4 x 1 x 1/2")	1	4
19		16308X000	Washer, Flat (5/16 x 11/16 x 1/16")	1	2
20	A	1057832-NLA	NLA - Hardware, Crossbrace	1	1
21		See Chart	Item #21 Seat Extension Kit (Pair)	2	1
22		1076284	Screw w/ Washer (#10 x 7/8")	1	2
22		40163X003-NLA	NLA - Screw, Phillips Pan Head (#10 X 5/8")	1	2
23		1025736	Locknut (1/4-20)	1	2
NOTE: A - Includes items 13 through 19 B - Includes items 2 through 6 C - Not Shown					

Crossbraces and Seat Extensions

Item #1 Crossbraces

Frame Style	Chair Width 14"	Chair Width 16"	Chair Width 18"	Chair Width 20"
Hemi	1064405-NLA See Note(s) A	1071545-NLA See Note(s) A	1071546-NLA See Note(s) A	1071547-NLA See Note(s) A
Adult	1064409-NLA See Note(s) A, B	1064410-NLA See Note(s) A, B	1064411-NLA See Note(s) A, B	1064412-NLA See Note(s) A, B

NOTE: A - Decals not included with crossbraces, see "Packaging, Decals and Literature" page. Crossbrace part numbers are a quantity of one each. Two crossbraces are required per assembly.

B - These Crossbraces are No Longer Available on Storm Power 9000 Series wheelchair.

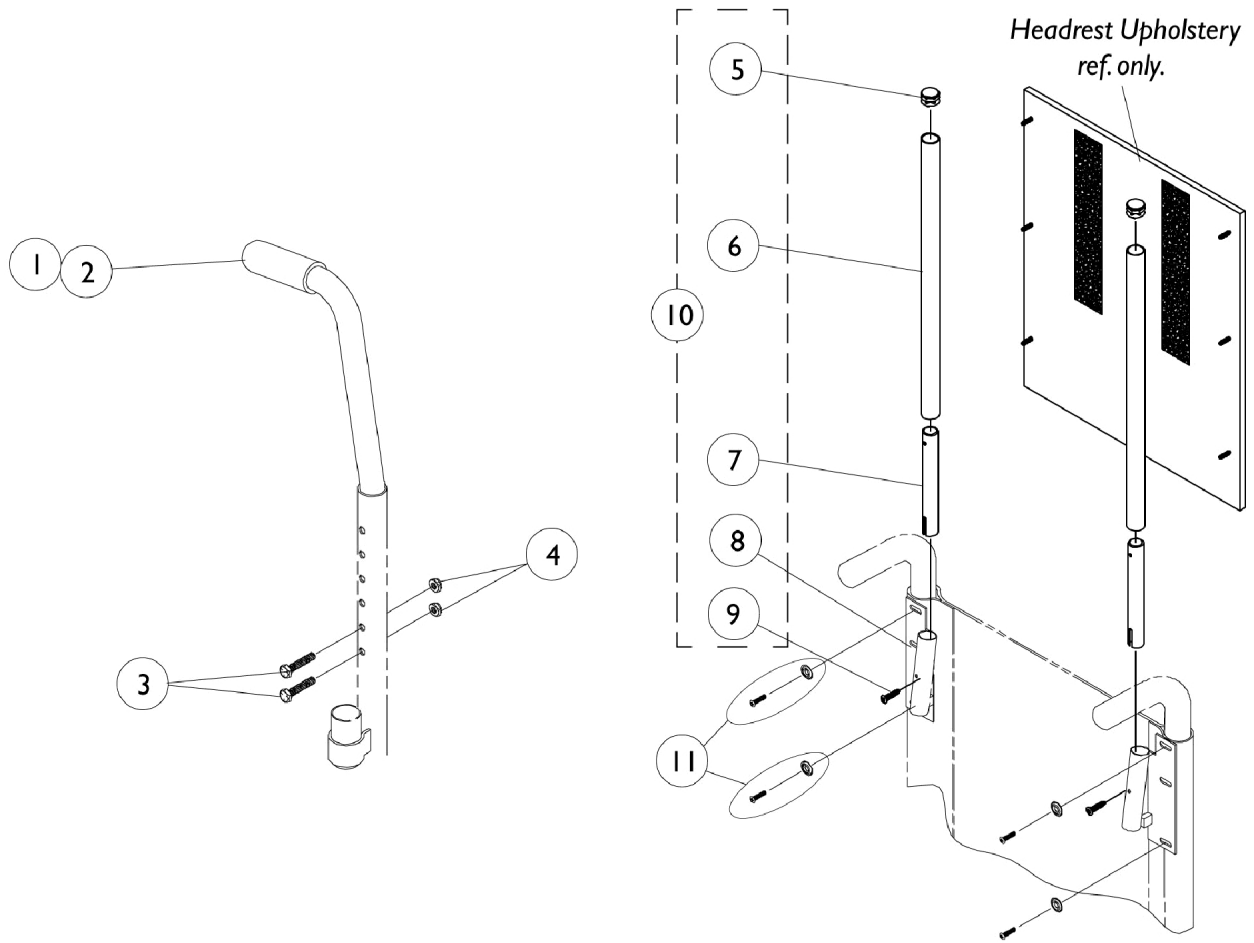
NOTE: When replacing crossbraces for chairs built before 6/18/99 using seat extensions, a new seat extension kit must be ordered.

Item #21 Seat Extension Kit (Pair)

Seat Extension Type (Pair) Includes Hardware	Part Number
1"	1058616-NLA
2"	1058617-NLA See Note(s) A

NOTE: A - No Longer Available for the Storm Ranger II Series wheelchair

Back Canes and Headrest Extension (9110L)



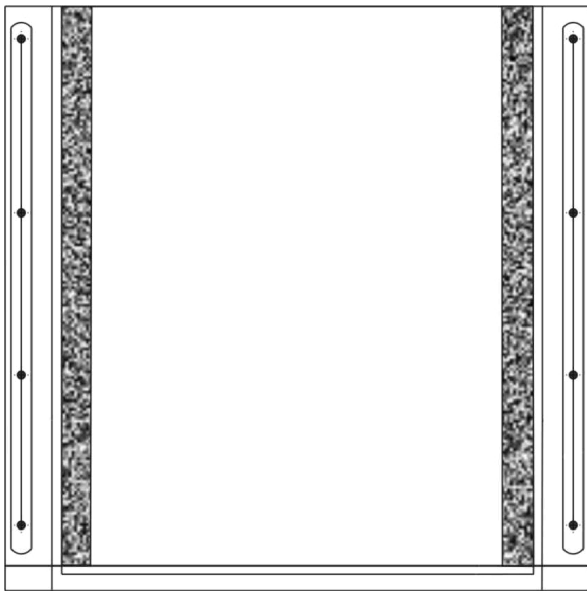
Back Canes and Headrest Extension (9110L)

Item Number	Note	Part Number	Description	Quantity Per	
				Package	Assembly
1		1028372	Back Cane Assembly, 10 Degree Bend	1	2
2		1006229	Grip, Foam (8")	1	2
3		1057955	Screw, Hex Head (1/4-20 x 1-1/4")	1	4
4		1025195	Locknut (1/4-20)	1	4
5		1027095	Plug Button, Black (7/8")	1	2
6		1054605-NLA	NLA - Tube, Headrest Extension	1	2
7		1028756-NLA	NLA - Tube, Insert	1	2
8		1028752-NLA	NLA - Bracket, Headrest, Black - Right	1	2
8		1028753	Bracket, Headrest, Black - Left	1	2
9		1028484	Screw, Phillips Pan Head Tap (#10-32 x 1/2")	1	2
10	A	1054612-NLA	NLA - Bracketry, Headrest, Black	2	1
11		1031095	Screws with Washers (#10-16 x 7/8")	1	4
11		1076284	Screw w/ Washer (#10 x 7/8")	4	1

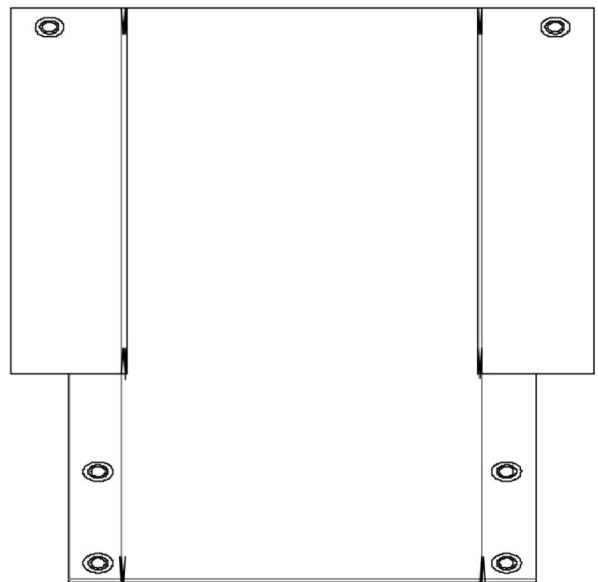
NOTE: A - Includes items 5-9

Seat and Back Upholstery

NOTE: Nylon Seat Upholstery is No Longer Available on Storm Series Power 9000 wheelchair



Seat Upholstery
Nylon/Vinyl



Back Upholstery
Nylon/Vinyl

Seat and Back Upholstery

NOTE: Nylon Seat Upholstery is No Longer Available on Storm Series Power 9000 wheelchair

Seat Upholstery

Vinyl

Seat Width	16" Deep	17" Deep	18" Deep
14" Wide	8881024417-NLA	8881024418-NLA See Note(s) A	8881024419-NLA See Note(s) A
16" Wide	8881024423-NLA See Note(s) A	8881024424-NLA See Note(s) A	8881024134-NLA See Note(s) A
18" Wide	8881024132-NLA See Note(s) A	8881024137-NLA See Note(s) A	8881024138-NLA See Note(s) A
20" Wide	8881024129-NLA See Note(s) A	8881024141-NLA See Note(s) A	8881024142-NLA See Note(s) A

NOTE: A - Specify upholstery color when ordering, see page titled "Frame Finishes, Touch-Up Paints and Upholstery Options."

Back Upholstery

Back Width	Nylon	Vinyl
14" Wide	1060611-NLA	8881058352-NLA See Note(s) A
16" Wide	1060612	8881058353-NLA See Note(s) A
18" Wide	1060613	8881058354-NLA See Note(s) A
20" Wide	1060614	8881058355-NLA See Note(s) A

NOTE: A - Specify upholstery color when ordering, see page titled "Frame Finishes, Touch-Up Paints and Upholstery Options."

Headrest Upholstery

(For 9110L Headrest Extension)

Back Width	Nylon	Vinyl
14" Wide	8881052586-NLA	8881054633-NLA See Note(s) A
16" Wide	8881052588-NLA	8881054638-NLA See Note(s) A
18" Wide	8881052590-NLA	8881054637-NLA See Note(s) A
20" Wide	8881052592-NLA	8881054639-NLA See Note(s) A

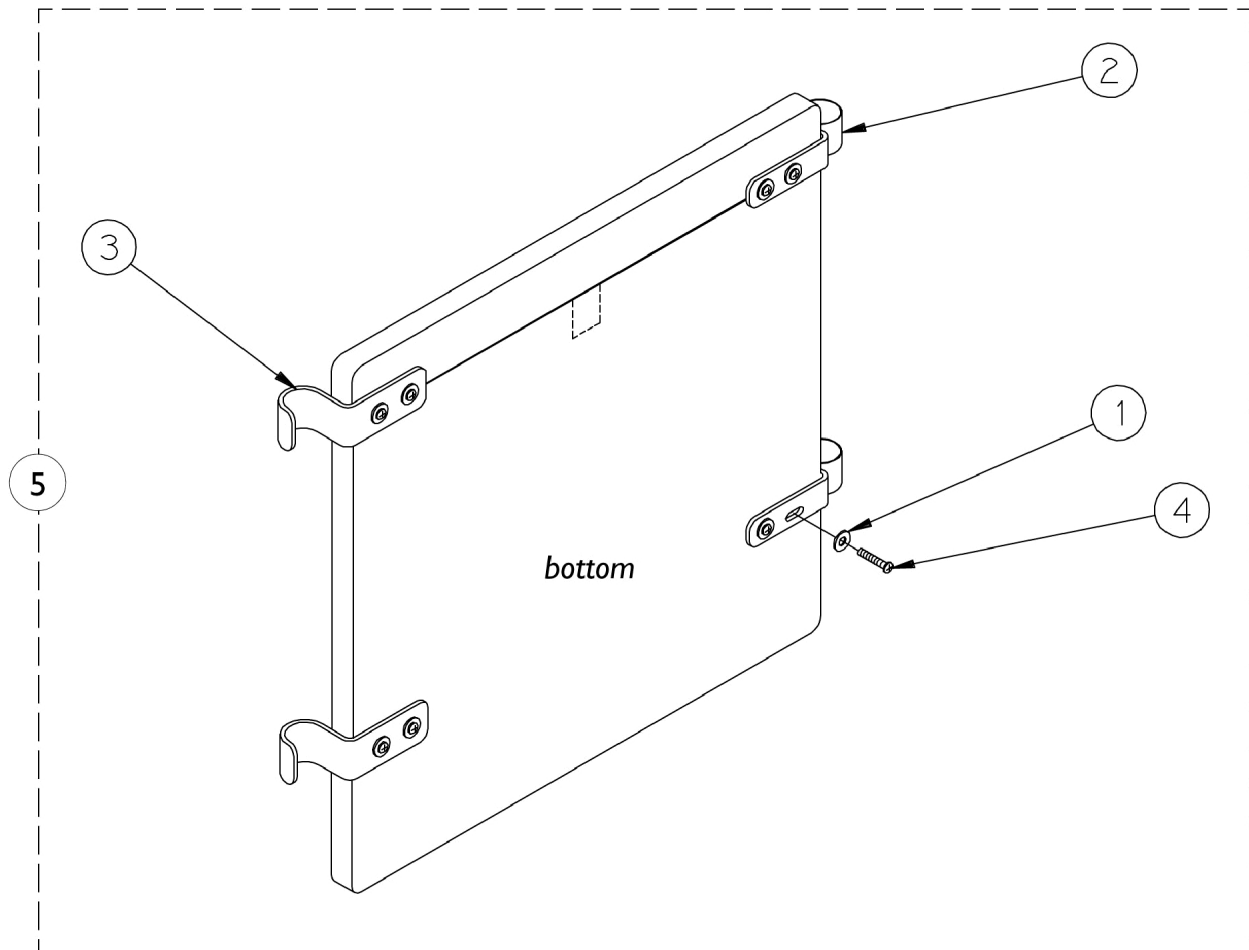
NOTE: A - Specify upholstery color when ordering, see page titled "Frame Finishes, Touch-Up Paints and Upholstery Options."

Seat and Back Upholstery

**NOTE: Nylon Seat Upholstery is No Longer Available on Storm Series Power 9000 wheelchair
Attaching Hardware**

Back Upholstery Hardware	Seat Upholstery Hardware
1026298	1027057-NLA
Consists of: 2 ea. Screw with Washer (10-7/8") Cable Ties (11-1/2" Long)	Consists of 8 ea. Screw with Washer (10-7/8")

Solid Folding Seats



Solid Folding Seats

Item Number	Note	Part Number	Description	Quantity Per	
				Package	Assembly
1		1013218	Washer (#10 Flat)	1	8
2		1016770-NLA	NLA - Bracket, Seat, Chrome	1	2
3		1016771-NLA	NLA - Hook, Seat	1	2
4		7930360-NLA	NLA - Package, Screw, Phillips Pan Head (#10-32 x 11/16")	25	8
5	A	8881035937	Solid Folding Seat w/ Hardware, Vinyl (14" W x 16" D)	1	1
5	A	8881110378-NL A	NLA - Solid Folding Seat w/ Hardware, Vinyl (16" W x 16" D)	1	1
5	A	8881110379	Solid Folding Seat w/ Hardware, Vinyl (18" W x 16" D)	1	1
5	A	8881110372	Solid Folding Seat w/ Hardware, Nylon (20" W x 16" D)	1	1
	B	See Chart	Solid Seat Insert	1	1

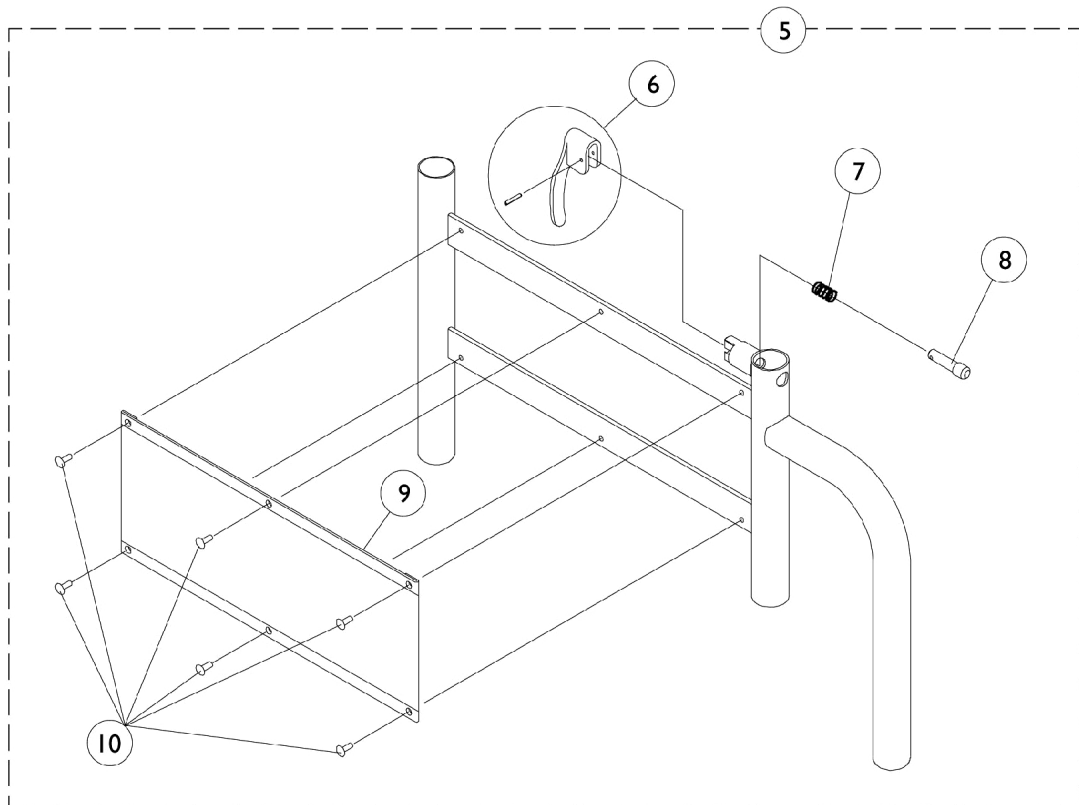
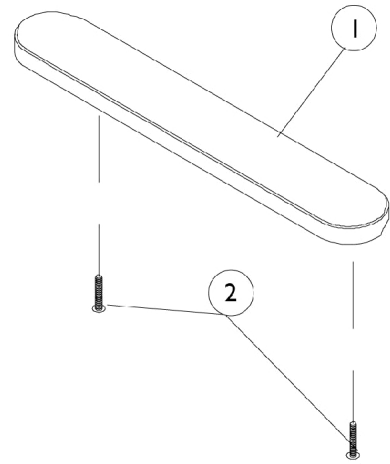
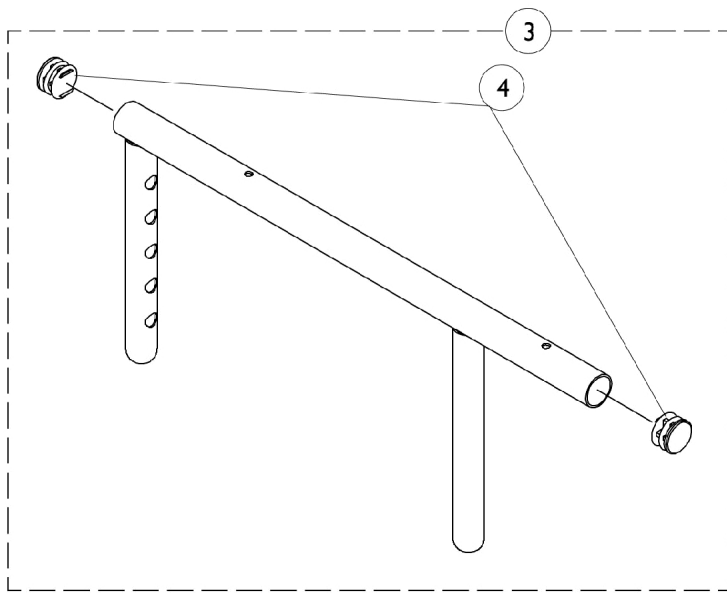
NOTE: A - Specify frame color when ordering, see page titled "Frame Finishes, Touch-Up Paints and Upholstery Options."
B - Not Shown

NOTE: Solid Folding Seats measure two inches narrower than actual seat width.

Chair Width	16" Deep	17" Deep	18" Deep	19" Deep	20" Deep
	See Note(s) A	See Note(s) A	See Note(s) A	See Note(s) A	See Note(s) A
14" W	8881034646-NLA	8881034655-NLA	8881034664-NLA	8881034673-NLA	8881034682-NLA
15" W	8881034647	8881034656-NLA	8881034665-NLA	8881034674-NLA	8881034683-NLA
16" W	8881034648-NLA	8881034657-NLA	8881034666-NLA	8881034675-NLA	8881034684-NLA
17" W	8881034649-NLA	8881034658-NLA	8881034667-NLA	8881034676-NLA	8881034685-NLA
18" W	8881034650	8881034659-NLA	8881034668	8881034677-NLA	8881034686-NLA
19" W	8881034651	8881034660	8881034669	8881034678-NLA	8881034687-NLA
20" W	8881034652-NLA	8881034661-NLA	8881034670	8881034679-NLA	8881034688-NLA
21" W	8881034653-NLA	8881034662-NLA	8881034671-NLA	8881034680-NLA	8881034689-NLA
22" W	8881034654-NLA	8881034663-NLA	8881034672	8881034681-NLA	8881034690-NLA

NOTE: A - Specify seat upholstery, see page titled "Upholstery Color Options and Packaging".

Adjustable Height Removable Arms

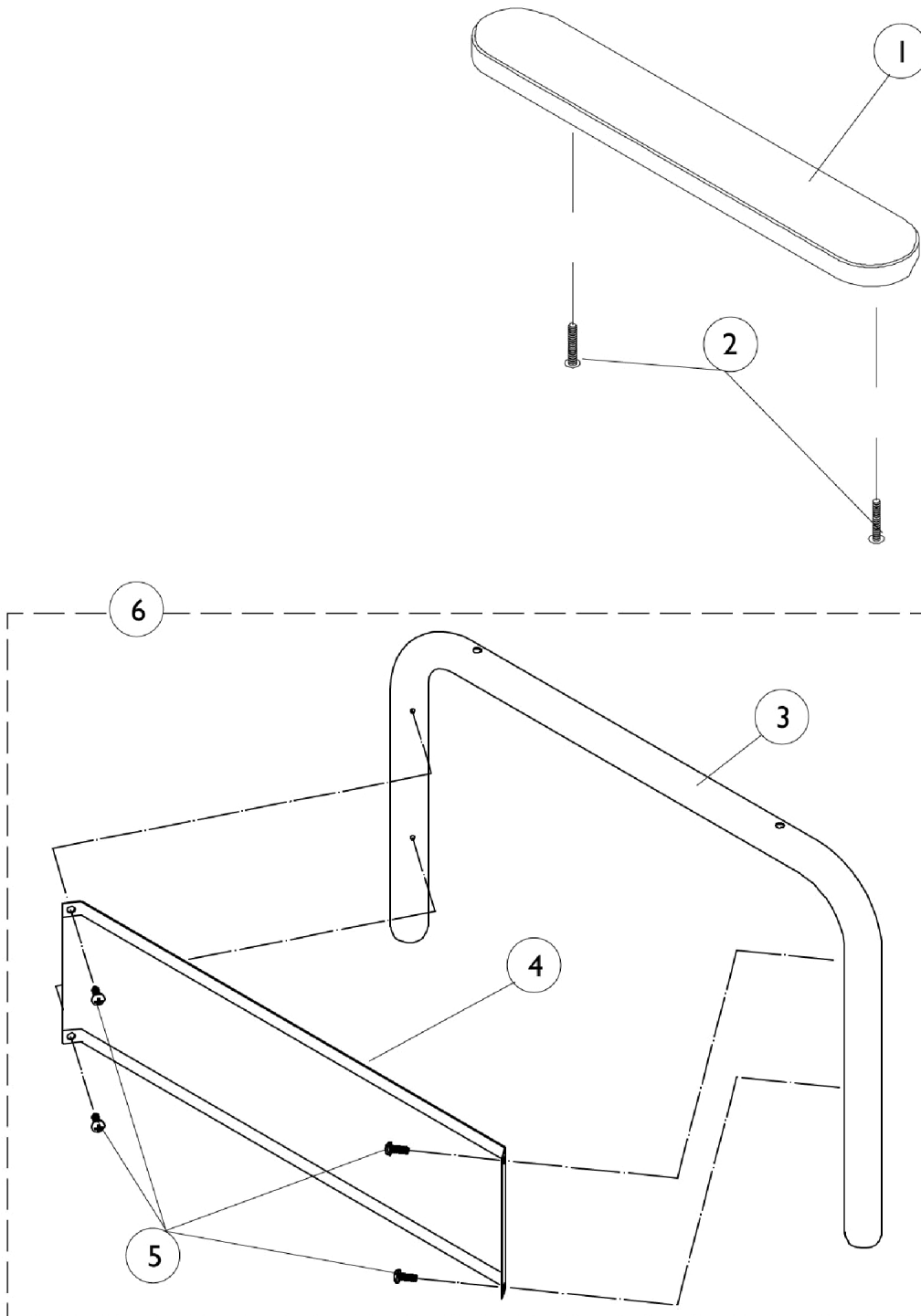


Adjustable Height Removable Arms

Item Number	Note	Part Number	Description	Quantity Per	
				Package	Assembly
1	A	8881015932-NL A	NLA - Pad, Arm, Vinyl, Full Length - Right (14" L x 2" W)	1	1
1	A	8881015933-NL A	NLA - Pad, Arm, Vinyl, Full Length - Left (14" L x 2" W)	1	1
1	A	8881011811-NL A	NLA - Pad, Arm, Vinyl, Desk Length (9" L x 2" W)	1	1
2		1025714	Screw, Phillips Pan Head (#10-32 x 1-1/8")	1	2
3		1041522	Arm Tube Assembly w/ Plug Buttons, Full Length, Black - Right/Left	1	1
3		1070859	Arm Tube Assembly w/ Plug Buttons, Desk Length, Black - Right/Left	1	1
3		1057736-NLA	NLA - Tube, Arm, Upper with Plug Buttons, Chrome, Full Length	1	1
3		1057734	Tube, Arm, Upper with Plug Buttons, Black, Desk Length	1	1
4		1027095	Plug Button, Black (7/8")	1	2
5	B,C	8881057741-NL A	NLA - Arm Base, Adjustable Height, Color - Right	1	1
5	B,C	8881057742-NL A	NLA - Arm Base, Adjustable Height, Color - Left	1	1
5	C	1057743-NLA	NLA - Arm Base, Adjustable Height, Chrome - Right	1	1
5	C	1057744-NLA	NLA - Arm Base, Adjustable Height, Chrome - Left	1	1
6		1090768	Kit, Lock Handle w/Rivets (Pair)	2	1
7		47471X074	Spring, Arm Lock	1	1
8		1028594	Pin, Arm Lock, Black	1	1
9	C	1064130-NLA	NLA - Guard, Clothing	1	1
10		1028645	Rivet	1	6

NOTE: A - Specify upholstery color when ordering, see page titled "Frame Finishes, Touch-Up Paints and Upholstery Options."
 B - Specify frame color when ordering, see page titled "Frame Finishes, Touch-Up Paints and Upholstery Options."
 C - Stainless steel clothing guards were replaced w/ABS plastic. Chairs manufactured before 7/30/97 should be ordered in pairs to match.

Fixed Height Removable Arms



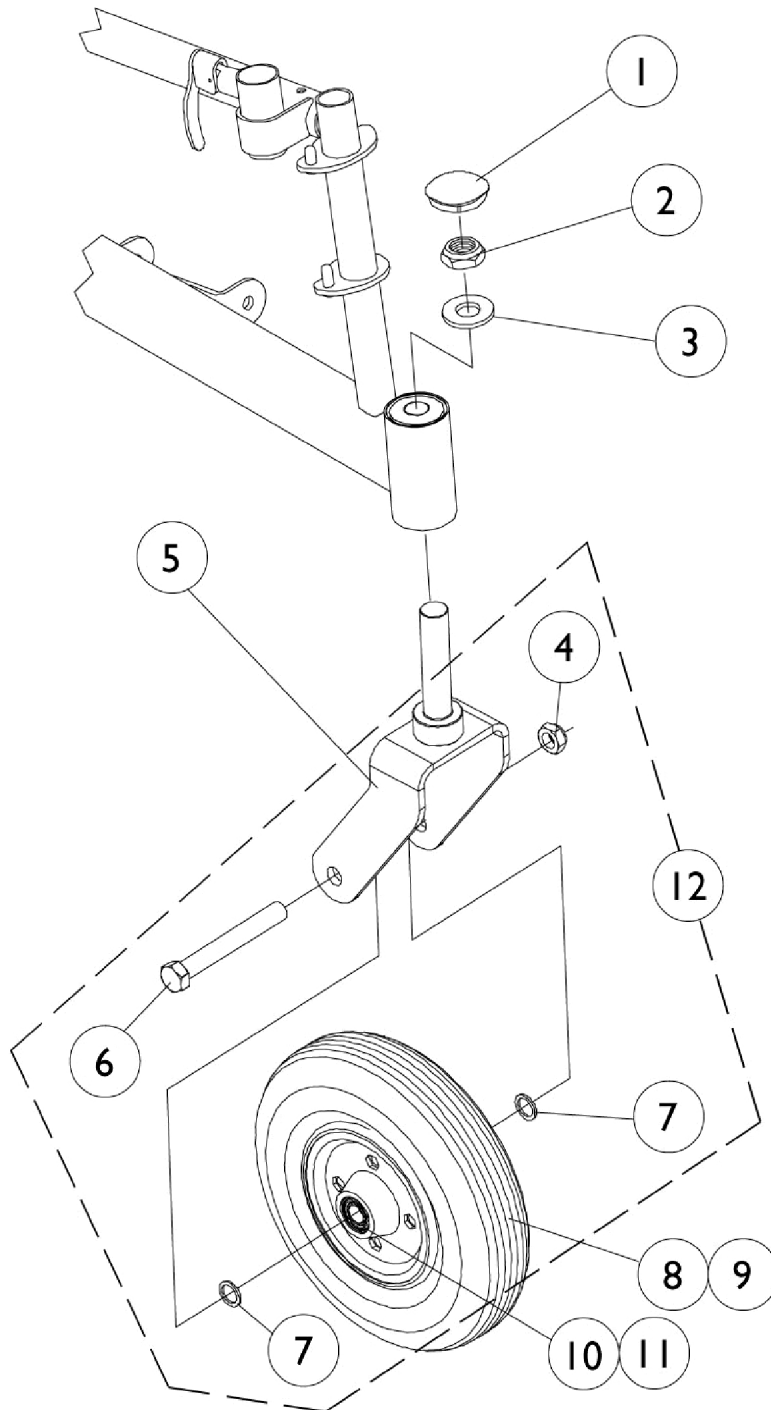
Fixed Height Removable Arms

Item Number	Note	Part Number	Description	Quantity Per	
				Package	Assembly
1	A	8881015932-NL A	NLA - Pad, Arm, Vinyl, Full Length - Right (14" L x 2" W)	1	1
1	A	8881015933-NL A	NLA - Pad, Arm, Vinyl, Full Length - Left (14" L x 2" W)	1	1
1	A	8881011811-NL A	NLA - Pad, Arm, Vinyl, Desk Length (9" L x 2" W)	1	1
2		7930327-NLA	NLA - Package, Screw, Phillips Pan Head (#10-32 x 1-1/8")	25	2
3	B	8881057723	Desk Length Arm Tube (Color), Right	1	1
3	B	8881057724-NL A	NLA - Tube, Arm, Desk Length, Color - Left	1	1
3	C,C1	1057725-NLA	NLA - Tube, Arm, Desk Length, Chrome - Right	1	1
3	C,C1	1057726-NLA	NLA - Tube, Arm, Desk Length, Chrome - Left	1	1
3	B	8881057715-NL A	NLA - Tube, Arm, Full Length, Color - Right	1	1
3	B	8881057716-NL A	NLA - Tube, Arm, Full Length, Color - Left	1	1
3	C,C1	1057717	NLA - Tube, Arm, Full Length, Chrome - Right	1	1
3	C,C1	1057718	NLA - Tube, Arm, Full Length, Chrome - Left	1	1
4		1035472-NLA	NLA - Guard, Clothing, Desk Length	1	1
4		1044572-NLA	NLA - Guard, Clothing, Full Length (16 - 19" D)	1	1
5		1025729	Screw, Phillips Pan Head Tap (#8-32 x 3/8")	1	4
6	B	8881057729-NL A	NLA - Arm Assembly, Desk Length, Color - Right	1	1
6	B	8881057730-NL A	NLA - Arm Assembly, Desk Length, Color - Left	1	1
6	C,C1	1057731-NLA	NLA - Arm, Desk Length without Armpad, Chrome - Right	1	1
6	C,C1	1057732-NLA	NLA - Arm, Desk Length without Armpad, Chrome - Left	1	1
6	B	8881057719-NL A	NLA - Arm, Full Length without Armpad, Color - Right	1	1
6	B	8881057720-NL A	NLA - Arm, Full Length without Armpad, Color - Left	1	1
6	C,C1	1057721-NLA	NLA - Arm, Full Length without Armpad, Chrome - Right	1	1
6	C,C1	1057722-NLA	NLA - Arm, Full Length without Armpad (Chrome), Left	1	1
	D	1041891-NLA	NLA - Tube, Arm, Desk Length, Black - Right	1	1
	D	1041895-NLA	NLA - Tube, Arm, Desk Length, Black - Left	1	1
	D	1044513-NLA	NLA - Tube, Arm, Full Length, Standard, Black - Right	1	1
	D	1044514-NLA	NLA - Tube, Arm, Full Length, Standard, Black - Left	1	1
	D	1057727-NLA	NLA - Arm Assembly, Desk Length, Chrome - Right	1	1
	D	1057728-NLA	NLA - Arm Assembly, Desk Length, Chrome - Left	1	1
	D	1044573-NLA	NLA - Arm Assembly, Full Length, Black - Right (Standard) (16-19" D)	1	1

Fixed Height Removable Arms

Item Number	Note	Part Number	Description	Quantity Per	
				Package	Assembly
	D	1044574-NLA	NLA - Arm Assembly, Full Length, Black - Left (Standard) (16-19" D)	1	1
<p>NOTE: A - Specify upholstery color when ordering, see page titled "Frame Finishes, Touch-Up Paints and Upholstery Options." B - Specify frame color when ordering, see page titled "Frame Finishes, Touch-Up Paints and Upholstery Options." C - Chrome is NLA as of 3/22/99. Black replaced chrome. Order arm components in pairs to match. Item 3 desk length order (Right part #1041891 and Left part #1041895). Item 3 full length order (Right part #1044513) and (Left part #1044514). C1 - Item 6 desk length order (Right part #1057727 and Left part #1057728). Item 6 full length order (Right part #1044573 and Left part #1044574). D - Not Shown</p>					

Front Casters and Hardware

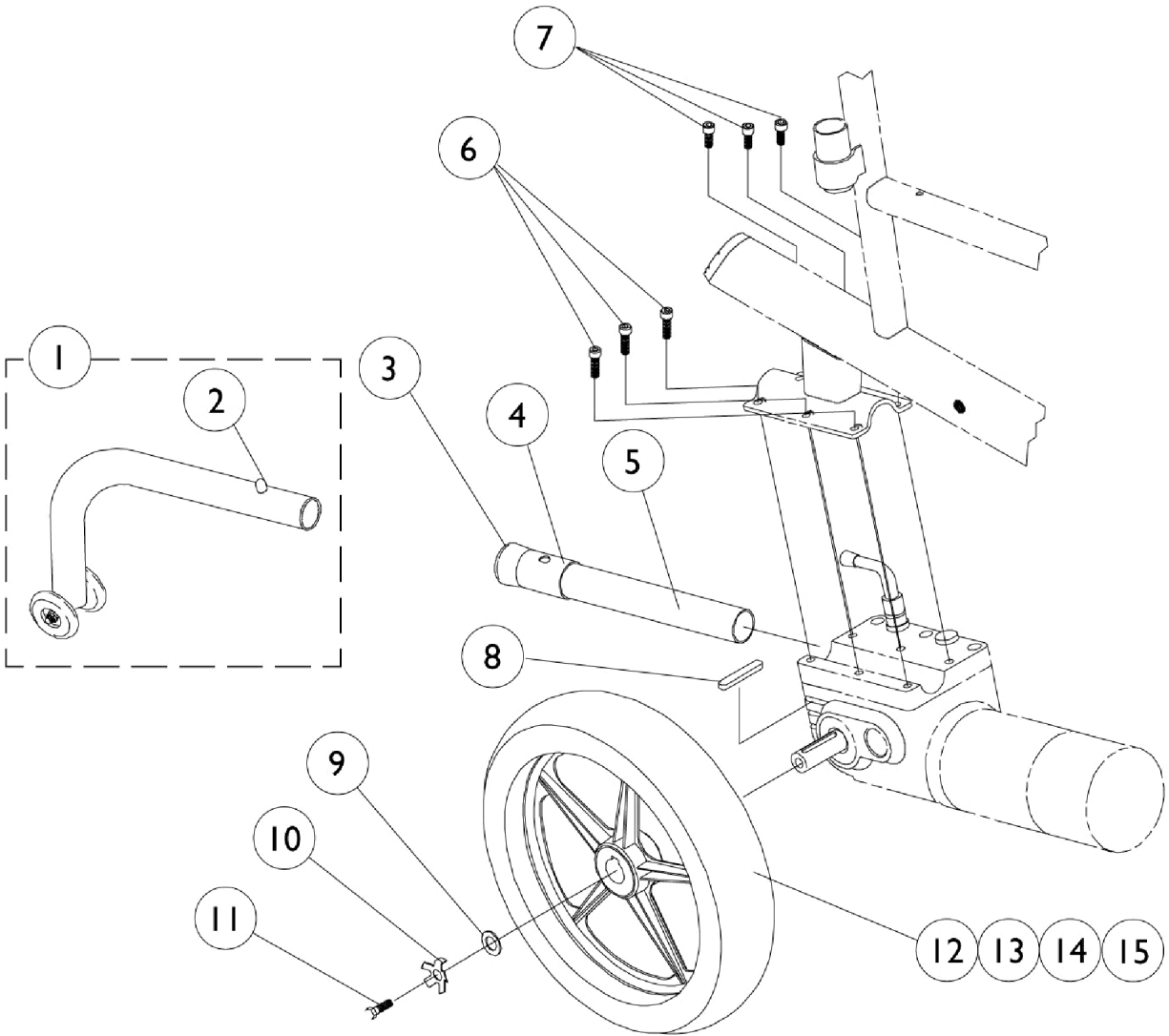


Front Casters and Hardware

Item Number	Note	Part Number	Description	Quantity Per	
				Package	Assembly
1		1056739	Plug Button, Head Tube, Black	1	1
2		1028550	Locknut (5/8-18)	1	1
3		1041444	Washer, Nylon (5/8 x 1-5/16 x 1/8")	1	1
4		7930331-NLA	NLA - Locknut (7/16-20")	25	1
5	A	1058556-NLA	NLA - Fork and Stem (8" Caster)	1	1
5	A,B	8881058562-NL A	NLA - Fork, Caster, Standard (8")	1	1
6		1025726	Screw, Hex Head (7/16-20 x 3-1/4")	1	1
7		1025724	Washer, Steel (15/32 x 5/8 x 3/64")	1	2
8	C,D,E	1006058-NLA	NLA - Caster, Semi Pneumatic (8")	1	1
8	C,D,F	1068311-NLA	NLA - Caster, Semi Pneumatic, Charcoal (8")	1	1
8	G	1070811	Wheel Assembly, Semi-Pneumatic, Urethane, Light Grey (8" x 1-3/4")	1	1
9	C	1002002	Wheel Assembly w/ Bearings, Pneumatic (8" x 2")	1	1
9		40176X034	Tire, Pneumatic (8" x 2")	1	1
9		1034942	Tube, Pneumatic Inner (8 x 2")	1	1
10		1006049	Bearing (7/16")	1	2
11		1020592	Spacer, Bearing (7/16 x 5/8 x 1-3/4")	1	1
12	H	1042489	Hardware, Caster Axle	1	2
	I	1071666	Wheel Assembly, Semi-Pneumatic, Urethane, Light Grey (8" x 1-3/4") (Pair)	2	1

NOTE: A - Order caster forks in pairs for chairs manufactured before 3/13/98.
 B - Specify frame color when ordering, see page titled "Frame Finishes, Touch-Up Paints and Upholstery Options."
 C - Includes items 10 and 11
 D - Order in pairs (#1071666) for chairs manufactured before 6/9/97.
 E - Before 1/15/97
 F - After 1/15/97
 G - After 6/8/97
 H - Includes items 4, 6, and 7 to accommodate 1 side only.
 I - Not Shown

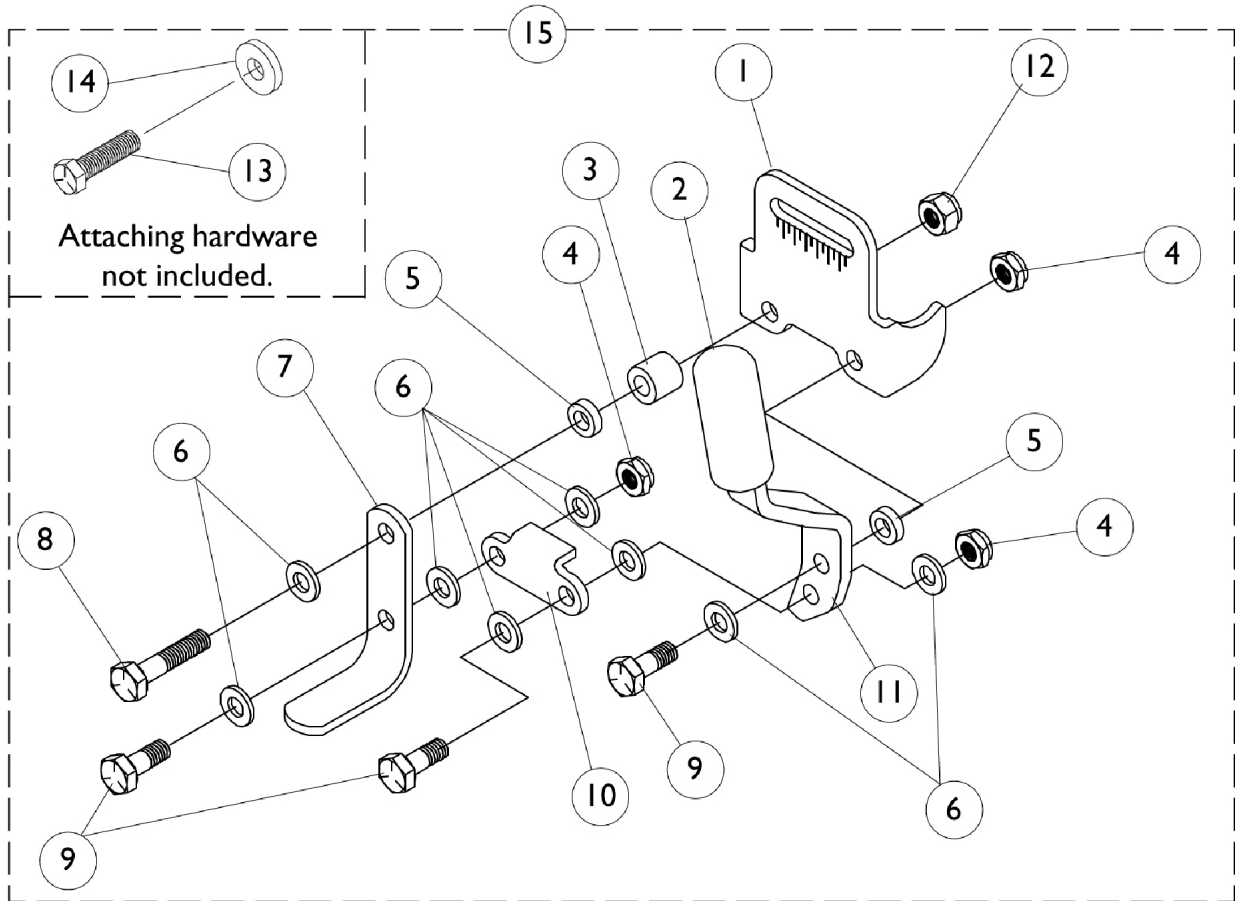
Rear Wheels, Anti-Tippers and Motor Attaching Hardware



Rear Wheels, Anti-Tippers and Motor Attaching Hardware

Item Number	Note	Part Number	Description	Quantity Per	
				Package	Assembly
1		1058824-NLA	NLA - Anti-Tipper	1	1
2		1025763	Spring, Torsion with Double Button	1	1
3		15680X013	Anti-Rattle (1")	1	1
4		1037900-NLA	NLA - Bushing, Anti-Wear	1	1
5		1057423-NLA	NLA - Tube, Support, Anti-Tipper, Black	1	1
6		1057823-NLA	NLA - Screw, Socket Head (M6 x 30mm)	1	3
7		1057824-NLA	NLA - Screw, Socket Head (M6 x 16)	1	3
8		1023264	Key (6mm x 6mm x 40mm)	1	1
9		1079247	Washer, Flat (21/64 x 53/64 x 7/64")	1	1
10		1064179	Kit, Locking Tab Washer w/ Instruction Sheet (Pair)	2	1
11		7930322-NLA	NLA - Package, Screw, Hex Head (M8 x 1.25 x 20mm)	25	1
12		1064178-NLA	NLA - Drive Wheel Assembly, 5 Spoke, Pneumatic (12-1/2 x 2-1/4") Includes: Locking Tab Washer with Instruction Sheet	1	1
12		1064177	Drive Wheel Assembly, 5 Spoke w/ Foam Fill Insert (12-1/2 x 2-1/4") Includes: Locking Tab Washer with Instruction Sheet	1	1
13		1011524	Tire, Pneumatic, Grey (12-1/2" x 2-1/4")	1	1
14		1011525	Tube, Inner, Black (12-1/2 x 2-1/4")	1	1
14	A	1073936-NLA	NLA - Insert, Flat Free	1	1
15		1064176-NLA	NLA - Rim with Locking Tab	1	1
NOTE: A - As of 10/20/99 the "solid" flat free insert was replaced by a "foam fill" process. When a Flat Free Insert is requested, a complete wheel must be ordered.					

Wheel Lock

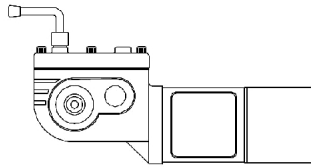


Wheel Lock

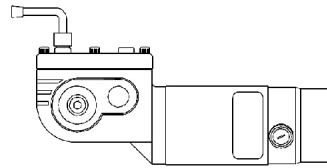
Item Number	Note	Part Number	Description	Quantity Per	
				Package	Assembly
1		1057912-NLA	NLA - Bracket, Black	1	1
2		47376X024	Tip, Rubber Wheel Lock Handle, Black	1	1
3		1057946-NLA	NLA - Spacer (17/64 x 31/64 x 7/16")	1	1
4		7930334-NLA	NLA - Locknut (1/4-28)	25	3
5		1026105-NLA	NLA - Spacer, Nylon (1/4 x 7/16 x 1/8")	1	2
6		1026033	Washer, Nylon (1/4 x 1/2 x 1/16")	1	8
7		1031833-NLA	NLA - Shoe, Wheel Lock	1	1
8		1021406	Screw, Hex Head (1/4-20 x 1-1/4")	1	1
9		1028687	Screw, Hex Head (1/4-28 x 3/4")	1	3
10		1018733-NLA	NLA - Link, Stop, Black	1	1
11		1021408-NLA	NLA - Handle, Wheel Lock, Black - Right	1	1
11		1021409-NLA	NLA - Handle, Wheel Lock, Black - Left	1	1
12		7930333	Locknut (1/4-20)	25	1
13		7930326-NLA	NLA - Package, Screw, Hex Head (1/4-20 x 3/4")	25	1
14		1018739	Washer (1/4 x 5/8 x 3/32")	1	1
15		1057947-NLA	NLA - Wheel Lock Assembly - Right	1	1
15		1057948-NLA	NLA - Wheel Lock Assembly - Left	1	1
	A	1058899	Wheel Lock Extension Handle Assembly, Black (6")	1	1
	A	1058900	Wheel Lock Extension Handle Assembly, Black (8")	1	1

NOTE: A - Not Shown.

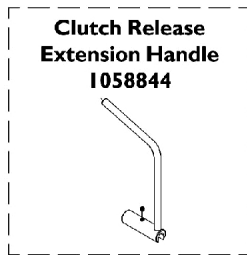
Motor Gearbox



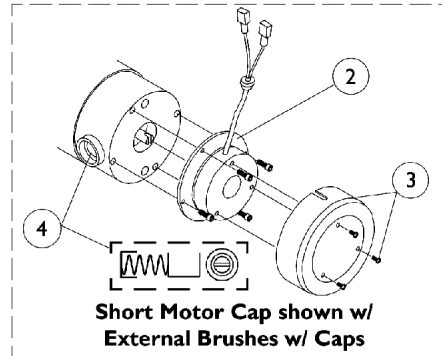
Motor with long plastic cap
and 2 screw mounts



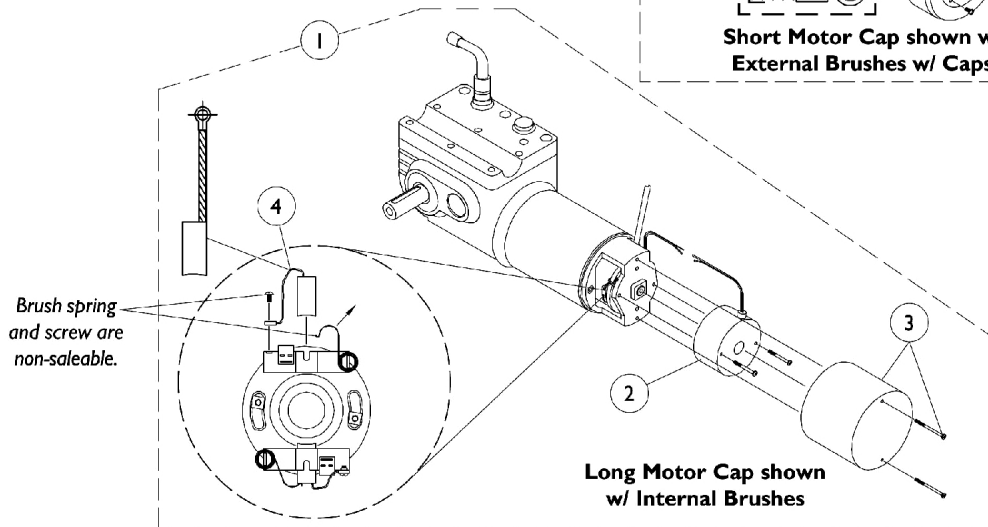
Motor with short metal cap
and 3 screw mounts



**Clutch Release
Extension Handle
105884**



**Short Motor Cap shown w/
External Brushes w/ Caps**



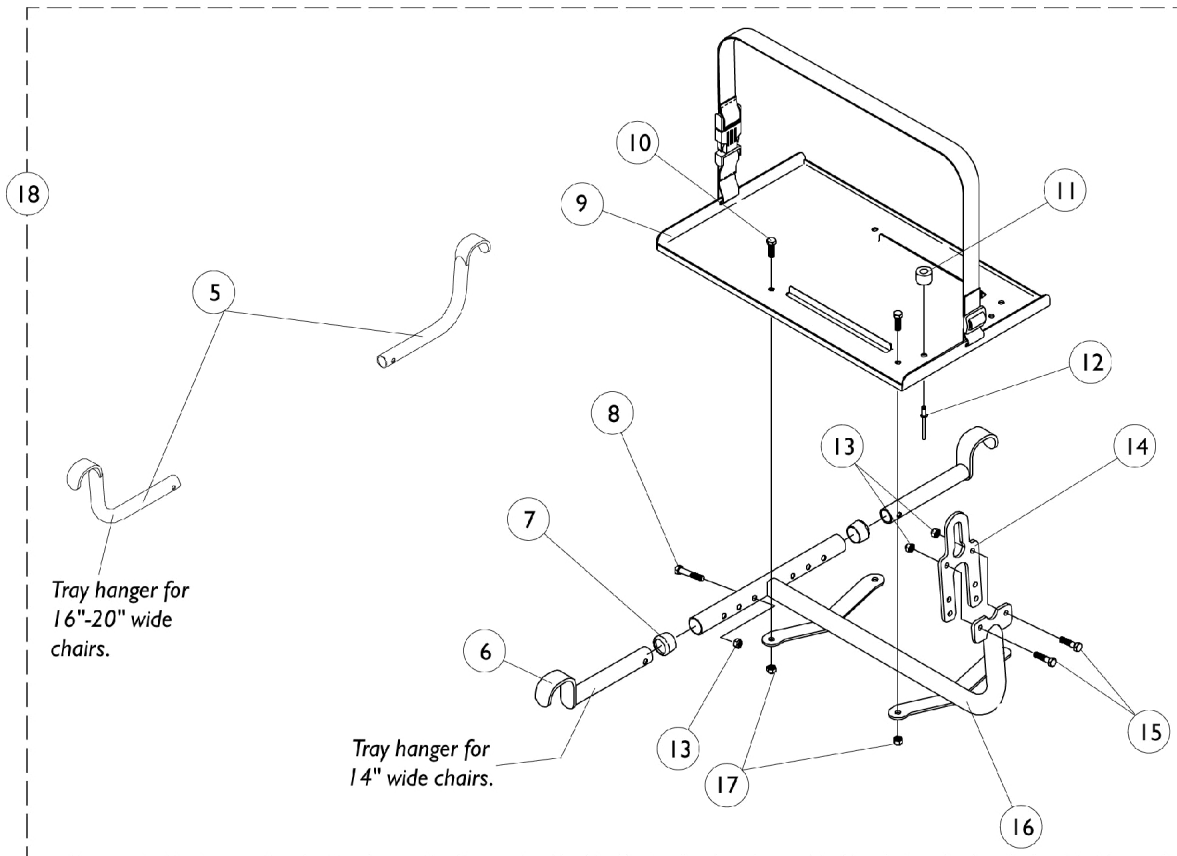
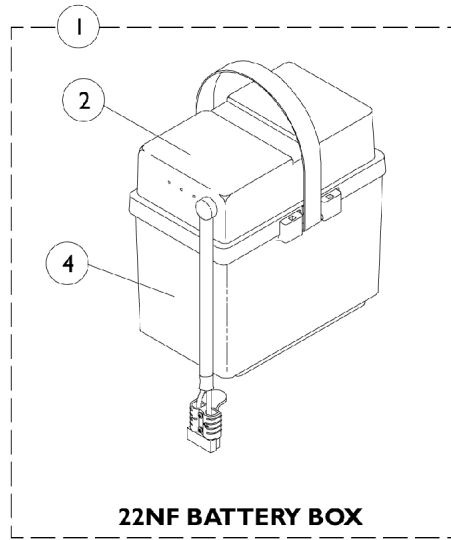
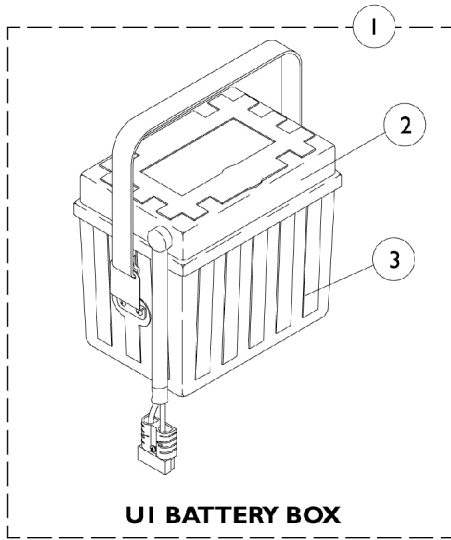
**Long Motor Cap shown
w/ Internal Brushes**

Motor Type	#1 Motor Gearbox Right	#1 Motor Gearbox Left	#2 Motor Brake	#3 Motor Cap w/ Screws	#4 Brush Kit (PR.)
Short Cap	1057904-NLA See Note(s) A	1057905-NLA See Note(s) A	1057827-NLA	1057826	1044044-NLA
Long Cap	1057902	1057903	1055872-NLA	1038361-NLA	1123528-NLA

NOTE: A - No Longer Available. Order the long cap Motor/Gearbox Assembly part numbers 1057902 and 1057903 in pairs.

NOTE: For motor attaching hardware, see page titled "Rear Wheels, Anti-Tippers and Motor Attaching Hardware."

Battery Tray and Hangers



Battery Tray and Hangers

Item Number	Note	Part Number	Description	Quantity Per	
				Package	Assembly
1		1057942-NLA	NLA - Battery Box Assembly, Dual w/ Single Extended Connector, UI	1	2
1		1057945-NLA	NLA - Battery Box Assembly, Single Extended Connector, 22NF (16-20" Wide)	1	2
2	A,B	1057941-NLA	NLA - Battery Box Top Assembly, Dual w/ Single Extended Connector, UI	1	2
2	A,B	1097003	Battery Box Top, Rear, 22NF	1	2
3		1009268-NLA	NLA - Battery Box Bottom Assembly, U1	1	2
3	F	1013319	Strap, Battery	1	2
3	F	1003177-NLA	NLA - Rivet	1	2
3	F	16348X005-NLA	NLA - Washer, Steel (5/32 x 3/8 x 1/32")	1	2
4		1057944	Battery Box Bottom with Strap, 22NF	1	2
4	G	1041433-NLA	NLA - Pin, Handle	1	2
4	G	1057954-NLA	NLA - Strap, Battery	1	2
5		1057419-NLA	NLA - Bracket, Tray Hanger, Black (16-20" W)	1	2
6		1057939-NLA	NLA - Bracket, Tray Hanger, Black (14" W)	1	2
7		15680X012	Collar, Anti-Rattle (7/8")	1	2
8		1021406	Screw, Hex Head (1/4-20 x 1-1/4")	1	2
9		1057835-NLA	NLA - Tray Assembly with Buckle	1	1
10		1025752-NLA	NLA - Screw, Hex Head (1/4-20 x 1-1/2")	1	4
11		1016025-NLA	NLA - Bumper, Rubber (UI Battery Boxes Only)	1	2
12		1007094-NLA	NLA - Rivet, Pop (3/16") (UI Battery Boxes Only)	1	2
13		7930333	Locknut (1/4-20)	25	4
14		1044066-NLA	NLA - Hanger, Tray	1	1
15		7930326-NLA	NLA - Package, Screw, Hex Head (1/4-20 x 3/4")	25	2
16		1057421-NLA	NLA - Support, Tray, Sectional	1	1
17		7930323-NLA	NLA - Package, Locknut (1/4-20)	25	4
18		1057839-NLA	NLA - Battery Tray Assembly, UI Battery Boxes, Sectional (14" W)	1	1
18		1057838-NLA	NLA - Battery Tray Assembly, 22NF Battery Boxes (16"-20" W) - Sectional	1	1
	A,E,H	50000X166-NLA	NLA - Fuse - Buss 2-1/4" L (60 AMP)	1	2
	E,I,J	1089385	Fuse, MIDI (Non-G/B & G/B) (80 AMP)	1	2
	C,E	1060318-NLA	NLA - Hardware, Battery Terminal, UI Batteries (Pair)	2	1
	D,E	1058618-NLA	NLA - Hardware, Battery Terminal, 22NF Batteries (Pair)	2	1

Battery Tray and Hangers

NOTE: A - As of 11/5/99 the battery harness fuse changed from a Bussman 60 AMP to a MIDI 80 AMP fuse. This battery box top is compatible for chairs manufactured before 11/5/99 and must be ordered when a replacement Bussman 60 AMP fuse is requested.

B - It is recommended that new terminal hardware be ordered when a new battery box top is ordered.

C - Hardware includes small battery terminal caps (gray and orange), 1/4-20 x 7/8" hex flange screws, 1/4-20 hex flange nuts, cable ties, locking tab washers and instruction sheet for two batteries.

D - Hardware includes battery clamps, battery clamp caps (red and black), small battery terminal caps (red and black), 1/4-20 x 7/8" hex flange screws, 1/4-20 hex flange nuts, cable ties and locking tab washers for two batteries.

E - Not Shown.

F - These items included with item number 1009268 or available separately

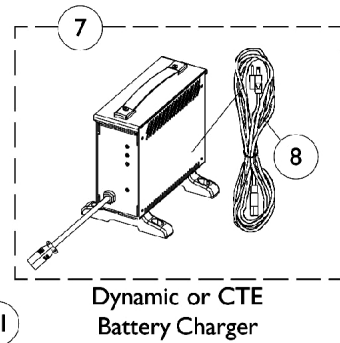
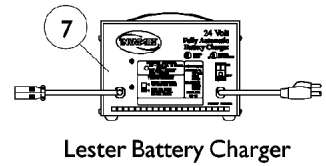
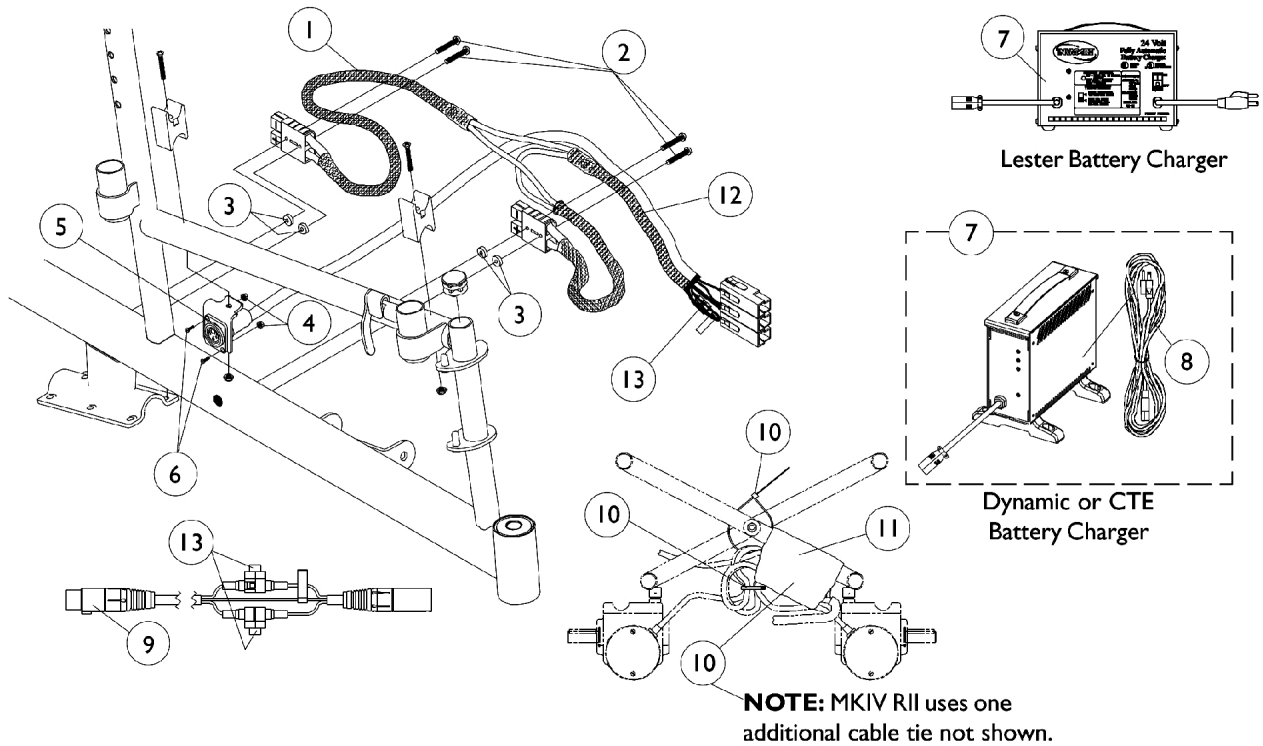
G - These items included with item number 1057944 or available separately

H - Before 11/5/99

I - After 11/4/99

J - After 11/9/00

Battery Charger and Harness



NOTE: MKIV RII uses one additional cable tie not shown.

Battery Charger and Harness

Item Number	Note	Part Number	Description	Quantity Per	
				Package	Assembly
1		1053834-NLA	NLA - Harness, Wiring, Standard	1	1
2		1039773-NLA	NLA - Screw, Phillips Pan Head (#6-32 x 1-1/8")	1	4
3		1061323-NLA	NLA - Washer, Nylon (11/64 x 1/2 x 1/8")	1	4
4		P0870X000	Nut, Hex Keps (#4-40)	1	2
5		1053837-NLA	NLA - Bracket, Charger Connector, Black	1	1
6		7930318-NLA	NLA - Package, Screw, Phillips Pan Head (#4-40 x 1/2")	25	2
7	A,H	1053161-NLA	NLA - Charger, Battery, 8 Amp, 115vac, Off Board Dual Mode Round Plug, Lester	1	1
7		1085678-NLA	NLA - Charger, Battery, 8 Amp. 115vac, Off Board, Dual Mode, Round Plug w/ AC Power Line Cord, Dynamic	1	1
7	F,F1	1123249	Charger, Battery, 8 Amp. 115vac (Off Board) Single Mode Round Plug w/ AC Power Line Cord	1	1
7	F,F1	1123249E-NLA	NLA - WARR RPLMT - Charger, Battery, 8 Amp, 115VAC (Off Board) Single Mode Round Plug w/ AC Power Line Cord	1	1
8	G	1089627-NLA	NLA - Cord, AC Power, 115VAC, 2 Prong Off-Board (11' 6" L)	1	1
8		1121086	Cord, AC Power, 115VAC, 3 Prong On-Board (6' 6-1/2" L)	1	1
9		1083929-NLA	NLA - Cable, Charger Extension, Round Plug (24" L)	1	1
10		1095502-NLA	NLA - Package, Tie Wrap (11-1/2" L)	10	1
11		1058491-NLA	NLA - Connector Boot, Wire	1	1
12	B	1090357-NLA	NLA - Wrap, Slit Wire Harness (1/2" O.D., 36" Long Cut To Length)	1	1
13	D	1098892-NLA	NLA - Fuse - Buss ATC-15 (15 AMP)	1	2
13	E	1090117-NLA	NLA - Fuse - Buss Mini ATM-15 (15 AMP)	1	2

NOTE: A - On 7/18/01 the Lester 8 amp. charger was reinstated.
 B - Plastic wire wrap replaced mesh fabric and heat shrink 9/1/99. Part number 1090357 can be used for chairs manufactured before 9/1/99 as well.
 D - Before 4/1/03. Charger extension cable takes 1 fuse and the wire harness takes 2 fuses
 E - After 3/31/03. Charger extension cable takes 2 fuses and the wire harness takes 2 fuses
 F - CTE charger introduced 4/1/04. Used on Gel Cell or AGM (Absorbed Glass Mat) batteries. For wet cell batteries refer to the Lester charger.
 F1 - CTE charger looks exactly the same as Dynamic's charger except for the company name that is silk screened on the narrow side panel, where the charger plug is (hard wired) attached. Serial number starts with 04A0000001.
 G - No longer available as a service part. Please use 1121086 as its replacement.
 H - Use Battery Charger part number 1123249 as a replacement.

Front Riggings Reference Chart

Support Assemblies

Rigging Type	Color Right	Color Left	Chrome Right	Chrome Left
P93	8881035779	8881035780	1030708	1030709
PW93	8881070776	8881070777	N/A	N/A
P93ST	8881058475-NLA	8881058474-NLA	1058477-NLA	1058476-NLA
PW93ST	8881070784-NLA	8881070785-NLA	N/A	N/A
P93E	8881037691-NLA	8881037692-NLA	1030994-NLA	1030995-NLA
PW93E	8881070768-NLA	8881070769-NLA	N/A	N/A
P93M	8881037836-NLA	8881037837-NLA	1031191-NLA	1031192-NLA
PAS4A/PAL4A (14-20" W)	N/A	N/A	1058482-NLA	1058483-NLA
P904A (14-20" W)	8881058646-NLA	8881058647-NLA	1058488-NLA	1058489-NLA

NOTE: Calf pads and attaching hardware not included with legrest. See legrest components.

Pivot/Slide Tubes with Footplates

P93/P93E

Footplate Type	Side	14" Wide	16" Wide	18" Wide	20" Wide
Aluminum (1650)	Right	1058573-NLA	1057969-NLA	1057969-NLA	1057969-NLA
	Left	1058574-NLA	1057970-NLA	1057970-NLA	1057970-NLA
Deluxe Alum. (1450)	Right	N/A	1028892-NLA See Note(s) A	1028892-NLA See Note(s) A	1028892-NLA See Note(s) A
	Left	N/A	1028893-NLA See Note(s) A	1028893-NLA See Note(s) A	1028893-NLA See Note(s) A
Extra Large (1350)	Right	N/A	1031924-NLA	1031924-NLA	1031924-NLA
	Left	N/A	1031925-NLA	1031925-NLA	1031925-NLA

NOTE: A - No longer available as a service part individually.

Note: Pivot/Slide tube mounting hardware not included.

Front Riggings Reference Chart

Pivot/Slide Tubes with Footplates

PW93/PW93E

Footplate Type	Side	14" Wide	16" Wide	18" Wide	20" Wide
Aluminum (1650)	Right	1041542-NLA	1074149	1074149	1074149
	Left	1041543-NLA	1074150	1074150	1074150
Deluxe Alum. (1450)	Right	N/A	1074151-NLA	1074151-NLA	1074151-NLA
	Left	N/A	1074152-NLA	1074152-NLA	1074152-NLA
Extra Large (1350)	Right	1086790-NLA	1026395	1026395	1026395
	Left	1086791-NLA	1026396	1026396	1026396
Adjustable Angle (AT5543)	Right	1060444	1062756	1062756	1062756
	Left	1060445	1062757	1062757	1062757

Note: Pivot/Slide tube mounting hardware not included.

Pivot/Slide Tubes with Footplates

P93ST/PW93ST

Footplate Type	Side	14" Wide	16" Wide	18" Wide	20" Wide
Composite (1651)	Right	N/A	1057859	1057869	1057879
	Left	N/A	1057860	1057870	1057880

Note: Pivot/Slide tube mounting hardware not included.

Front Riggings Reference Chart

Pivot/Slide Tubes with Footplates

P93M

Footplate Type	Side	14" Wide	16" Wide	18" Wide	20" Wide
Aluminum (1650)	Right	1058573-NLA	1057969-NLA	1057969-NLA	1057969-NLA
	Left	1058574-NLA	1057970-NLA	1057970-NLA	1057970-NLA
Deluxe Alum. (1450)	Right	N/A	1028892-NLA See Note(s) A	1028892-NLA See Note(s) A	1028892-NLA See Note(s) A
	Left	N/A	1028893-NLA See Note(s) A	1028893-NLA See Note(s) A	1028893-NLA See Note(s) A
Extra Large (1350)	Right	1031928-NLA	1031924-NLA	1031924-NLA	1031924-NLA
	Left	1031929-NLA	1031925-NLA	1031925-NLA	1031925-NLA

NOTE: A - No longer available as a service part individually.

Note: Pivot/Slide tube mounting hardware not included.

Pivot/Slide Tubes with Footplates

PAS4A (14")

Footplate Type	Side	14" Wide	16" Wide	18" Wide	20" Wide
Aluminum (1650)	Right	1023905-NLA	N/A	N/A	N/A
	Left	1023906-NLA	N/A	N/A	N/A
Extra Large (1350)	Right	1035454-NLA	N/A	N/A	N/A
	Left	1035455-NLA	N/A	N/A	N/A

Note: Pivot/Slide tube mounting hardware not included.

Front Riggings Reference Chart

Pivot/Slide Tubes with Footplates

PAL4A (16-20")

Footplate Type	Side	14" Wide	16" Wide	18" Wide	20" Wide
Aluminum (1650)	Right	N/A	1023907	1023907	1023907
	Left	N/A	1023908	1023908	1023908
Extra Large (1350)	Right	N/A	1035456	1035456	1035456
	Left	N/A	1035457	1035457	1035457

Note: Pivot/Slide tube mounting hardware not included.

Pivot/Slide Tubes with Footplates

P904A (14")

Footplate Type	Side	14" Wide	16" Wide	18" Wide	20" Wide
Aluminum (1650)	Right	1058612-NLA	N/A	N/A	N/A
	Left	1058613-NLA	N/A	N/A	N/A
Extra Large (1350)	Right	1058828-NLA	N/A	N/A	N/A
	Left	1058829-NLA	N/A	N/A	N/A

Note: Pivot/Slide tube mounting hardware not included.

Pivot/Slide Tubes with Footplates

P904A (16 - 20")

Footplate Type	Side	14" Wide	16" Wide	18" Wide	20" Wide
Aluminum (1650)	Right	N/A	1058604	1058604	1058604
	Left	N/A	1058605	1058605	1058605
Deluxe Alum. (1450)	Right	N/A	1028723-NLA	1028723-NLA	1028723-NLA
	Left	N/A	1028724-NLA	1028724-NLA	1028724-NLA
Extra Large (1350)	Right	N/A	1058830	1058830	1058830
	Left	N/A	1058831	1058831	1058831

Note: Pivot/Slide tube mounting hardware not included.

Front Rigging Reference Chart

2" and 4" Longer Pivot/Slide Tubes

NOTE: For longer Pivot/Slide Tubes and Footplates not listed, call Customer Service to see if item can be ordered as a Special.

Pivot/Slide Tubes with Footplates

P93/P93E

Rigging Type	Side	16" Wide	18" Wide	20" Wide
Extra Large (1350) 2" Longer	Right	1086519-NLA	1086519-NLA	1086519-NLA
	Left	1086523-NLA	1086523-NLA	1086523-NLA
Extra Large (1350) 4" Longer	Right	1086520-NLA	1086520-NLA	1086520-NLA
	Left	1086524-NLA	1086524-NLA	1086524-NLA

Pivot/Slide Tubes with Footplates

PW93/PW93E

Rigging Type	Side	16" Wide	18" Wide	20" Wide
Aluminum (1650) 2" Longer	Right	1086494-NLA	1086494-NLA	1086494-NLA
	Left	1086497-NLA	1086497-NLA	1086497-NLA
Aluminum (1650) 4" Longer	Right	1086495-NLA	1086495-NLA	1086495-NLA
	Left	1086498-NLA	1086498-NLA	1086498-NLA
Extra Large (1350) 2" Longer	Right	1086515	1086515	1086515
	Left	1086517	1086517	1086517
Extra Large (1350) 4" Longer	Right	1086516	1086516	1086516
	Left	1086518	1086518	1086518

Front Rigging Reference Chart

2" and 4" Longer Pivot/Slide Tubes

NOTE: For longer Pivot/Slide Tubes and Footplates not listed, call Customer Service to see if item can be ordered as a Special.

Pivot/Slide Tubes with Footplates

P93M

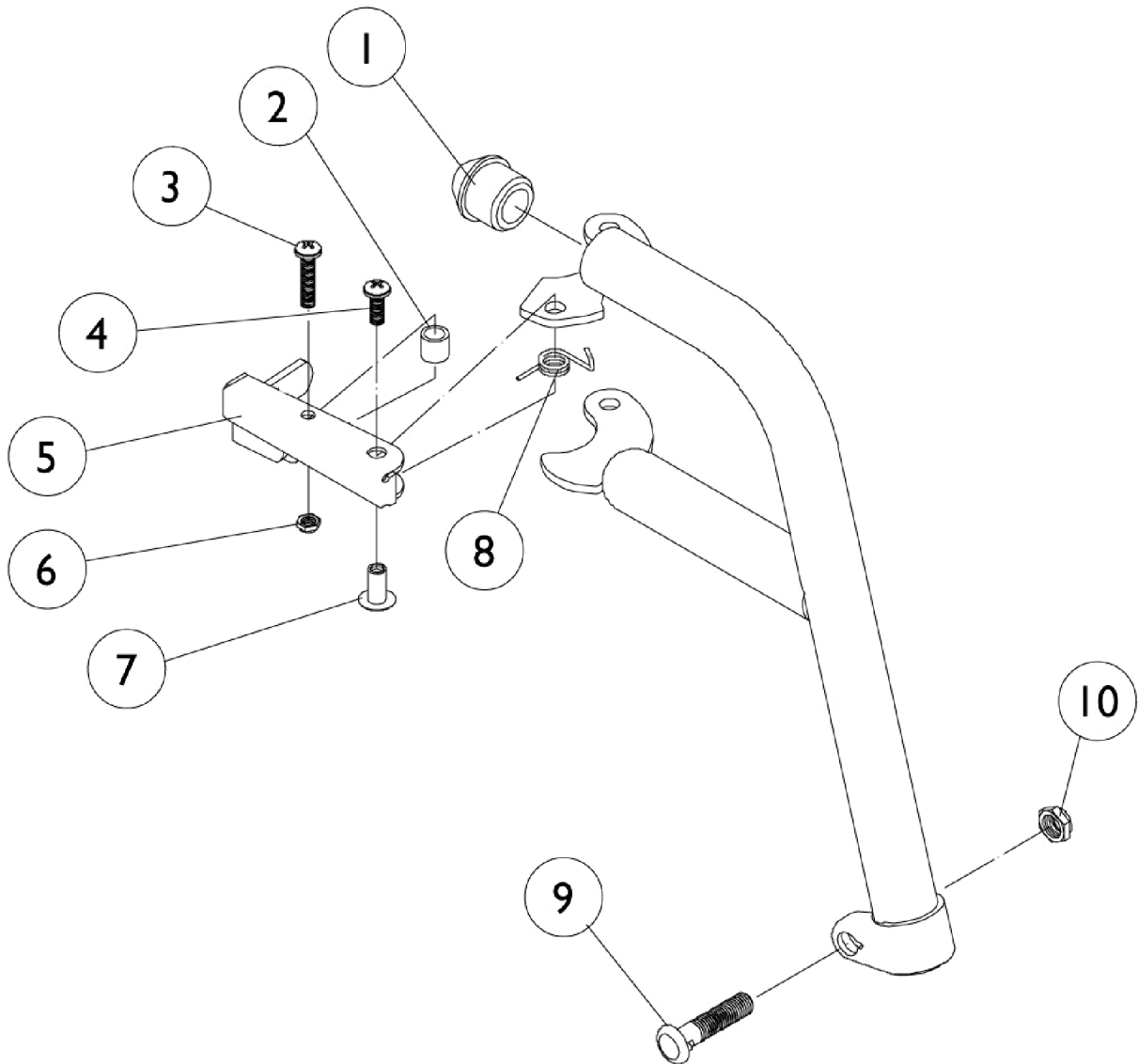
Rigging Type	Side	16" Wide	18" Wide	20" Wide
Extra Large (1350) 2" Longer	Right	1086519-NLA	1086519-NLA	1086519-NLA
	Left	1086523-NLA	1086523-NLA	1086523-NLA
Extra Large (1350) 4" Longer	Right	1086520-NLA	1086520-NLA	1086520-NLA
	Left	1086524-NLA	1086524-NLA	1086524-NLA

Pivot/Slide Tubes with Footplates

P904A

Rigging Type	Side	16" Wide	18" Wide	20" Wide
Aluminum (1650) 2" Longer	Right	1086529-NLA	1086529-NLA	1086529-NLA
	Left	1086531-NLA	1086531-NLA	1086531-NLA
Aluminum (1650) 4" Longer	Right	1086530-NLA	1086530-NLA	1086530-NLA
	Left	1086532-NLA	1086532-NLA	1086532-NLA
Extra Large (1350) 2" Longer	Right	1086541-NLA	1086541-NLA	1086541-NLA
	Left	1086551-NLA	1086551-NLA	1086551-NLA
Extra Large (1350) 4" Longer	Right	1086542-NLA	1086542-NLA	1086542-NLA
	Left	1086552-NLA	1086552-NLA	1086552-NLA

P93 Footrest Supports

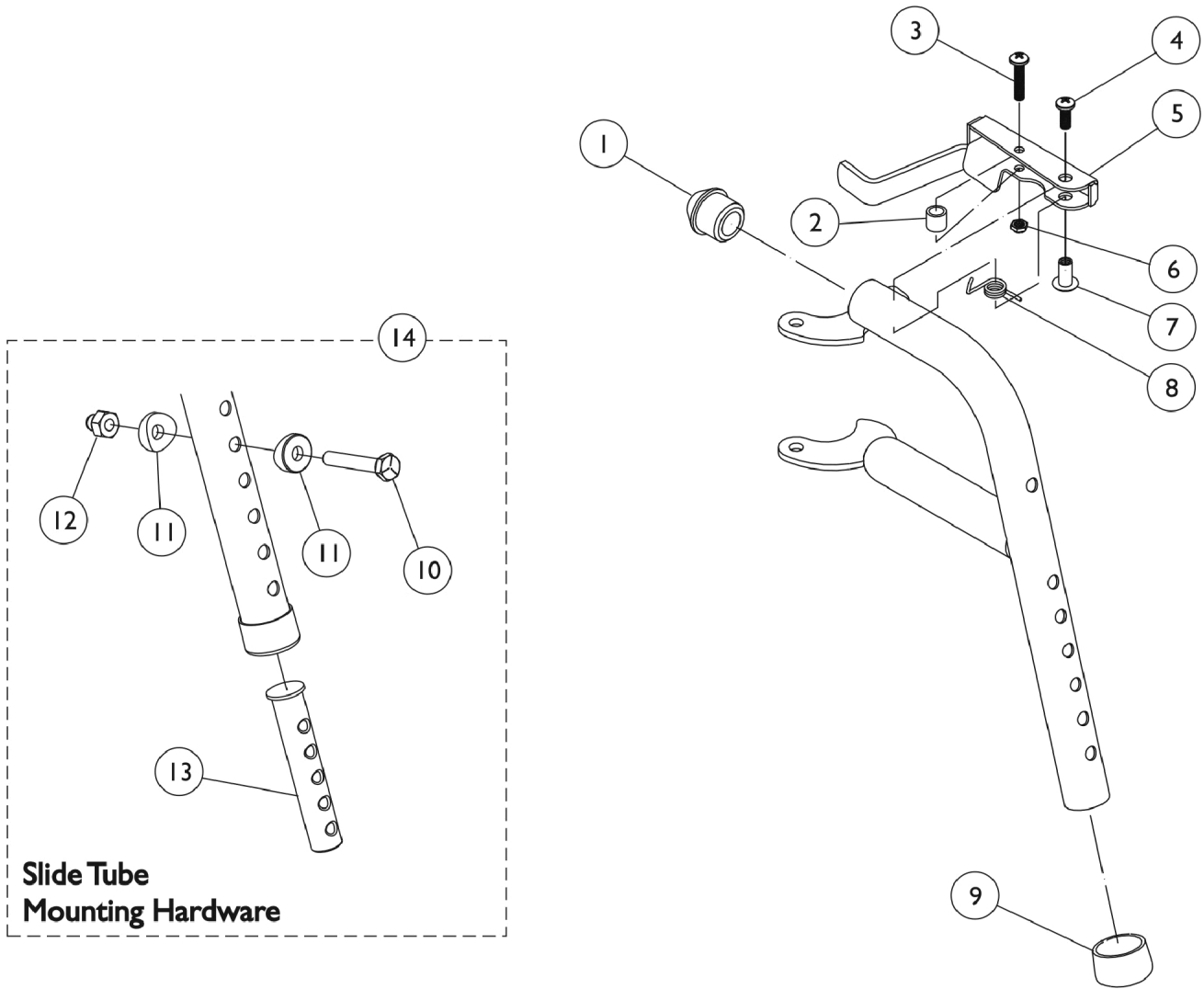


P93 Footrest Supports

Item Number	Note	Part Number	Description	Quantity Per	
				Package	Assembly
1		1020719	Anti-Rattle, Black	1	1
2		47565X057	Bushing (7/32 x 3/8 x 11/32")	1	1
3		7930328-NLA	NLA - Package, Screw, Phillips Pan Head (#10-32 x 11/16")	25	1
4		7930335-NLA	NLA - Package, Screw, Phillips Pan Head (#10-32 x 1/2")	25	1
5		1035539	Handle, Release, Black - Right	1	1
5		1035540	Handle, Release, Black - Left	1	1
6		7930332-NLA	NLA - Locknut, High Profile (#10-32)	25	1
7		1028846-NLA	NLA - Rivnut (#10-32)	1	1
8		1028707	Spring, Release - Right	1	1
8		1028708	Spring, Release - Left	1	1
9		1026030	Bolt, Lug (5/16-24 x 1-3/8")	1	1
10		1107321	Nut, Low Cap (5/16"-24)	1	1
	A,B	1006490	Tip, Plastic, Black	1	1
	A,C	8881035779	Footrest Support Assembly, Adult, Color - Right	1	1
	A,C	8881035780	Footrest Support Assembly, Adult, Color - Left	1	1
	A	1030708	Footrest Support Assembly, Adult, Silver Vein - Right	1	1
	A	1030709	Footrest Support Assembly, Adult, Silver Vein - Left	1	1

NOTE: A - Not Shown
 B - Before 10/1/00 only
 C - Specify frame color when ordering, see page titled "Frame Finishes, Touch-Up Paints and Upholstery Options."

PW93 Footrest Supports

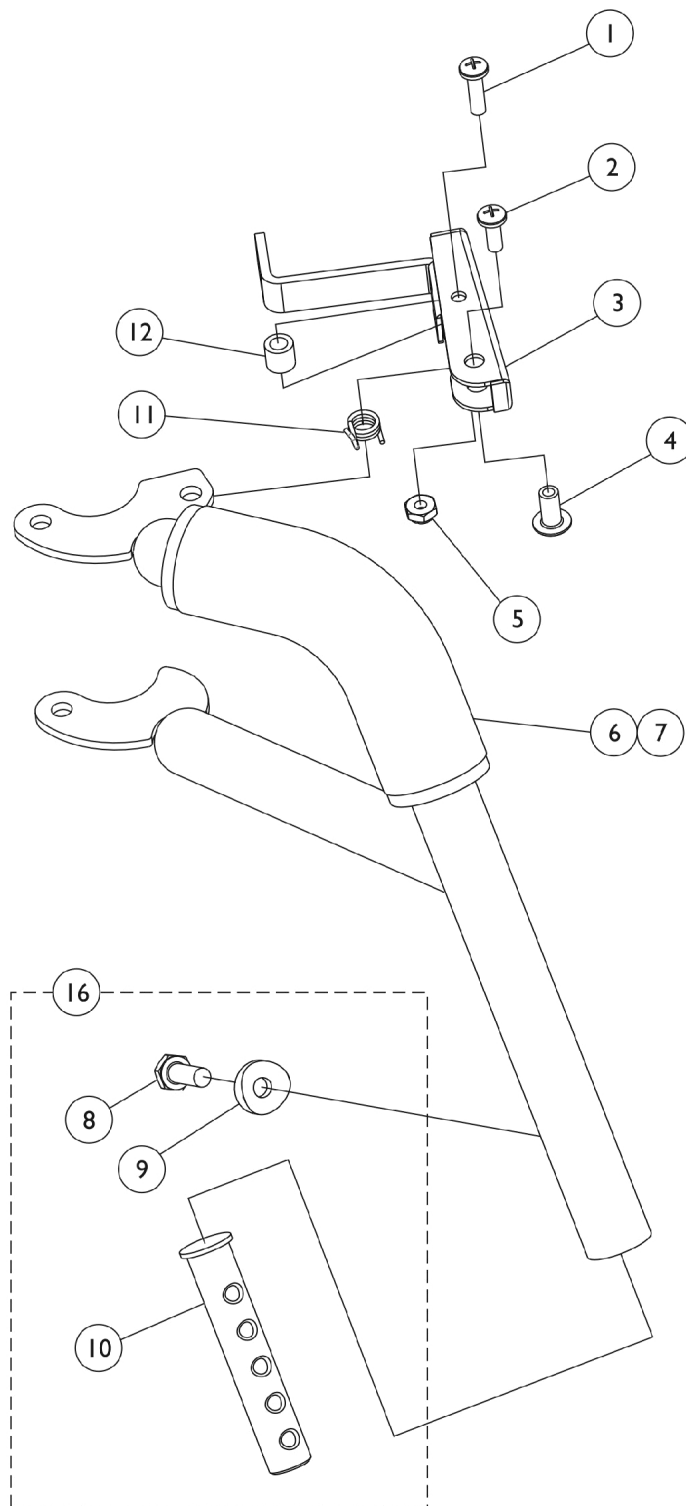


PW93 Footrest Supports

Item Number	Note	Part Number	Description	Quantity Per	
				Package	Assembly
1		1020719	Anti-Rattle, Black	1	1
2		47565X057	Bushing (7/32 x 3/8 x 11/32")	1	1
3		1025716	Screw, Phillips Pan Head (#10-32 x 11/16")	1	1
4		1026114	Screw, Phillips Pan Head (#10-32 x 1/2")	1	1
5		1035539	Handle, Release, Black - Right	1	1
5		1035540	Handle, Release, Black - Left	1	1
6		1025735	Locknut (#10-32)	1	1
7		1028846-NLA	NLA - Rivnut (#10-32)	1	1
8		1028707	Spring, Release - Right	1	1
8		1028708	Spring, Release - Left	1	1
9		15680X012	Collar, Anti-Rattle (7/8")	1	1
10		1070759	Screw, Hex Head (1/4-20 x 1-1/2")	1	1
11		1026099	Spacer, Coved (1/4 x 11/16 x 1/2")	1	2
12		1044214	Nut, Hex with Nylon Cap (1/4-20)	1	1
13	C	1020534	Insert, Threaded	1	1
14		1074143	Kit, Slide Tube Mounting Hardware	1	1
	A,B	8881070776	Footrest Support Assembly, Adult, Color - Right	1	1
	A,B	8881070777	Footrest Support Assembly, Adult, Color - Left	1	1

NOTE: A - Specify frame color when ordering, see page titled "Frame Finishes, Touch-Up Paints and Upholstery Options."
 B - Not Shown
 C - As of 8/15/03, the Threaded Insert was revised from 3 to 5 Holes. Threaded Insert is Backward Compatible and does not require ordering in Pairs.

P93ST Footrest Supports

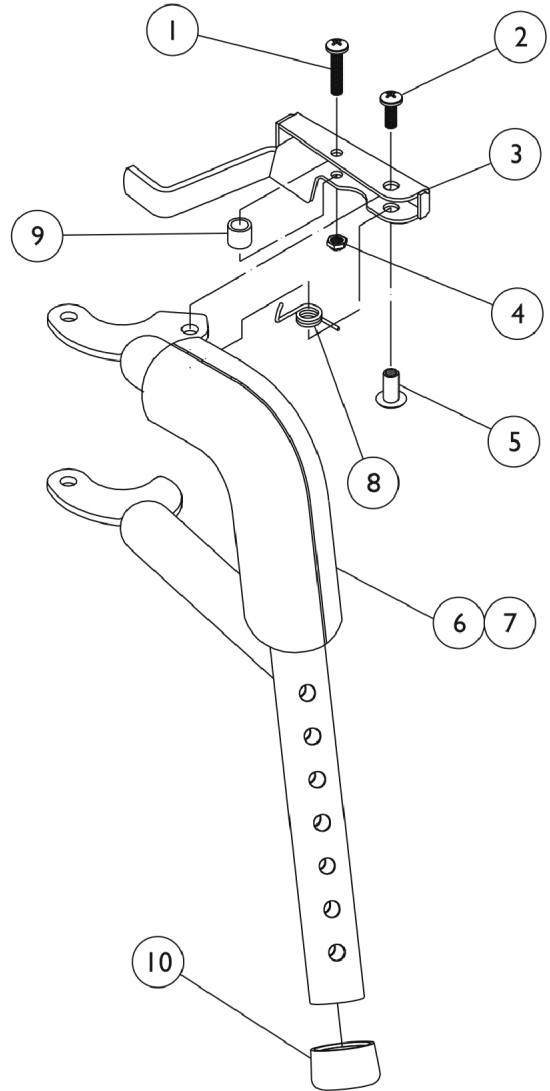
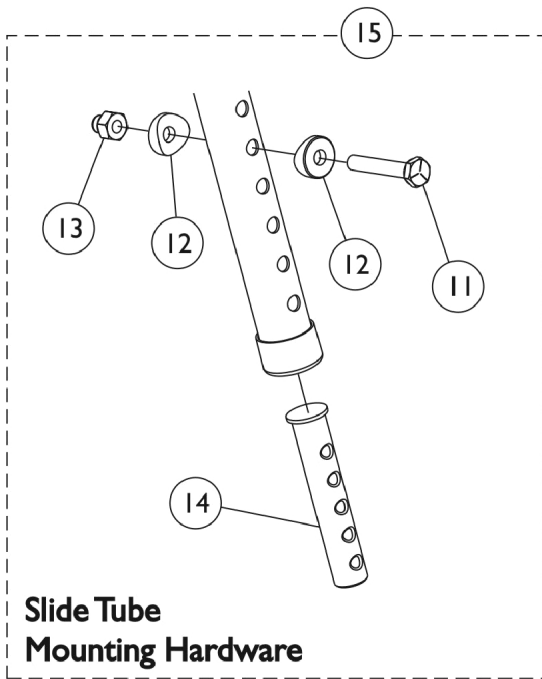


P93ST Footrest Supports

Item Number	Note	Part Number	Description	Quantity Per	
				Package	Assembly
1		1025716	Screw, Phillips Pan Head (#10-32 x 11/16")	1	1
2		1026114	Screw, Phillips Pan Head (#10-32 x 1/2")	1	1
3		1035539	Handle, Release, Black - Right	1	1
3		1035540	Handle, Release, Black - Left	1	1
4		1028846-NLA	NLA - Rivnut (#10-32)	1	1
5		1025735	Locknut (#10-32)	1	1
6		1030434-NLA	NLA - Cushion, Tubular Foam	1	1
7		1030435-NLA	NLA - Cover, Foam Cushion	1	1
8		1045267	Screw, Hex Head w/ Patch (1/4-20 x 3/4")	1	1
9		1026099	Spacer, Coved (1/4 x 11/16 x 1/2")	1	1
10	D	1020534	Insert, Threaded	1	1
11		1028707	Spring, Release - Right	1	1
11		1028708	Spring, Release - Left	1	1
12		47565X057	Bushing (7/32 x 3/8 x 11/32")	1	1
	A,B	1006490	Tip, Plastic, Black	1	1
	A,B	1026107	Screw, Phillips Pan Head (#10-32 x 1-3/8")	1	1
	A,B	1028485-NLA	NLA - Nut, Hex (#10-32)	1	1
16		1026703	Kit, Pivot/Slide Tube Mounting Hardware (Pair)	1	1
	B,C	8881058475-NL A	NLA - Footrest Support Assembly, Adult, Color - Right	1	1
	B,C	8881058474-NL A	NLA - Footrest Support Assembly, Adult, Color - Left	1	1
	B	1058477-NLA	NLA - Footrest Support Assembly, Adult, Chrome - Right	1	1
	B	1058476-NLA	NLA - Footrest Support Assembly, Adult, Chrome - Left	1	1

NOTE: A - These items are only required on Release Handles for chairs built Before 10/1/00.
 B - Not Shown.
 C - Specify frame color when ordering, see page titled "Frame Finishes, Touch-Up Paints and Upholstery Options."
 D - As of 8/15/03, the Threaded Insert was revised from 3 to 5 Holes. Threaded Insert is Backward Compatible and does not require ordering in Pairs.

PW93ST Footrest Supports

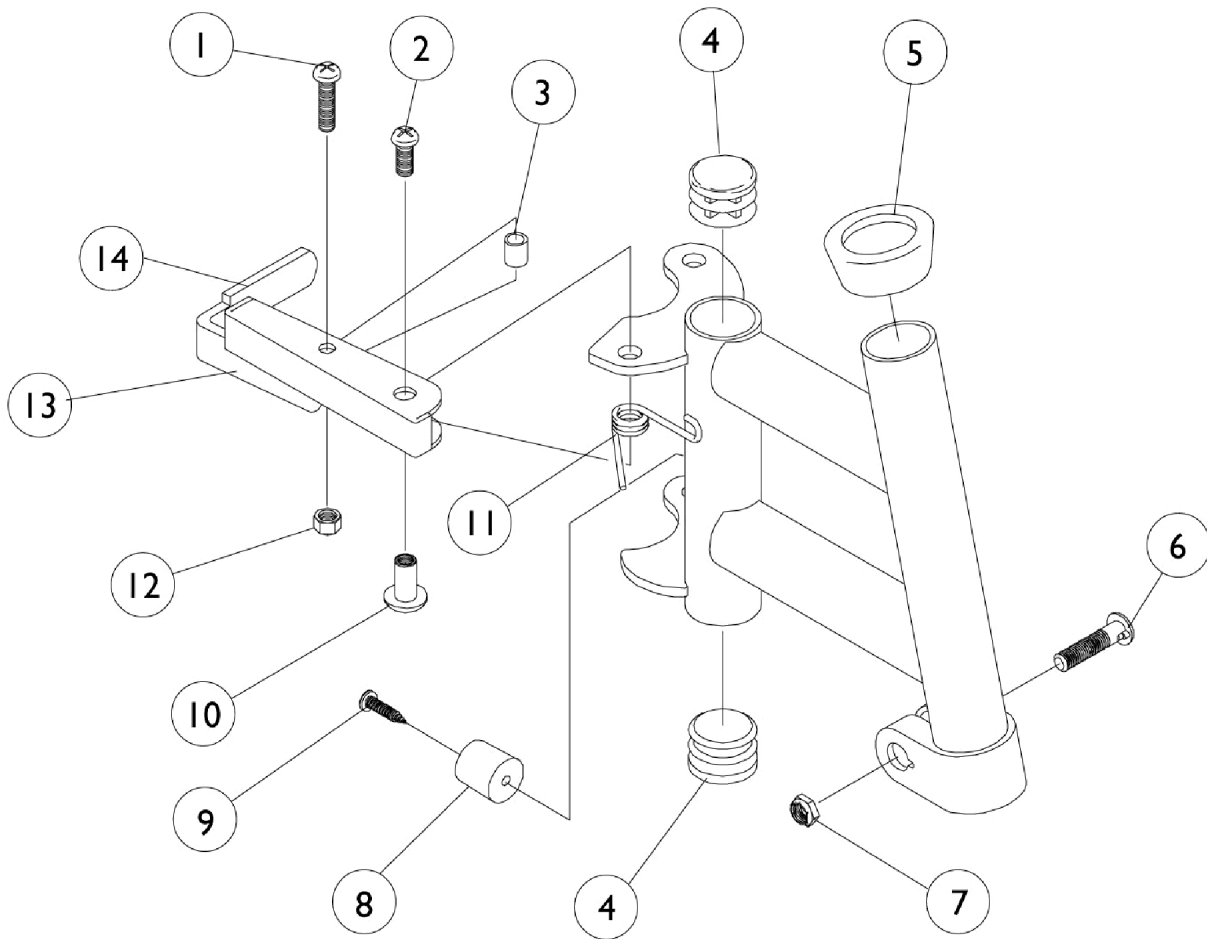


PW93ST Footrest Supports

Item Number	Note	Part Number	Description	Quantity Per	
				Package	Assembly
1		1025716	Screw, Phillips Pan Head (#10-32 x 11/16")	1	1
2		1026114	Screw, Phillips Pan Head (#10-32 x 1/2")	1	1
3		1035539	Handle, Release, Black - Right	1	1
3		1035540	Handle, Release, Black - Left	1	1
	A,B	1026107	Screw, Phillips Pan Head (#10-32 x 1-3/8")	1	1
	A,B	1028485-NLA	NLA - Nut, Hex (#10-32)	1	1
4		1025735	Locknut (#10-32)	1	1
5		1028846-NLA	NLA - Rivnut (#10-32)	1	1
6		1030434-NLA	NLA - Cushion, Tubular Foam	1	1
7		1030435-NLA	NLA - Cover, Foam Cushion	1	1
8		1028707	Spring, Release - Right	1	1
8		1028708	Spring, Release - Left	1	1
9		47565X057	Bushing (7/32 x 3/8 x 11/32")	1	1
	A,B	1006490	Tip, Plastic, Black	1	1
10		15680X012	Collar, Anti-Rattle (7/8")	1	1
11		1070759	Screw, Hex Head (1/4-20 x 1-1/2")	1	1
12		1026099	Spacer, Coved (1/4 x 11/16 x 1/2")	1	2
13		1044214	Nut, Hex with Nylon Cap (1/4-20)	1	1
14	D	1020534	Insert, Threaded	1	1
15		1074143	Kit, Slide Tube Mounting Hardware	1	1
	B,C	8881070784-NL A	NLA - Footrest Support Assembly, Adult, Color - Right	1	1
	B,C	8881070785-NL A	NLA - Footrest Support Assembly, Adult, Color - Left	1	1

NOTE: A - These items are only required on Release Handles for chairs built Before 10/1/00.
 B - Not Shown
 C - Specify frame color when ordering, see page titled "Frame Finishes, Touch-Up Paints and Upholstery Options."
 D - As of 8/15/03, the Threaded Insert was revised from 3 to 5 Holes. Threaded Insert is Backward Compatible and does not require ordering in Pairs.

P93E Footrest Supports

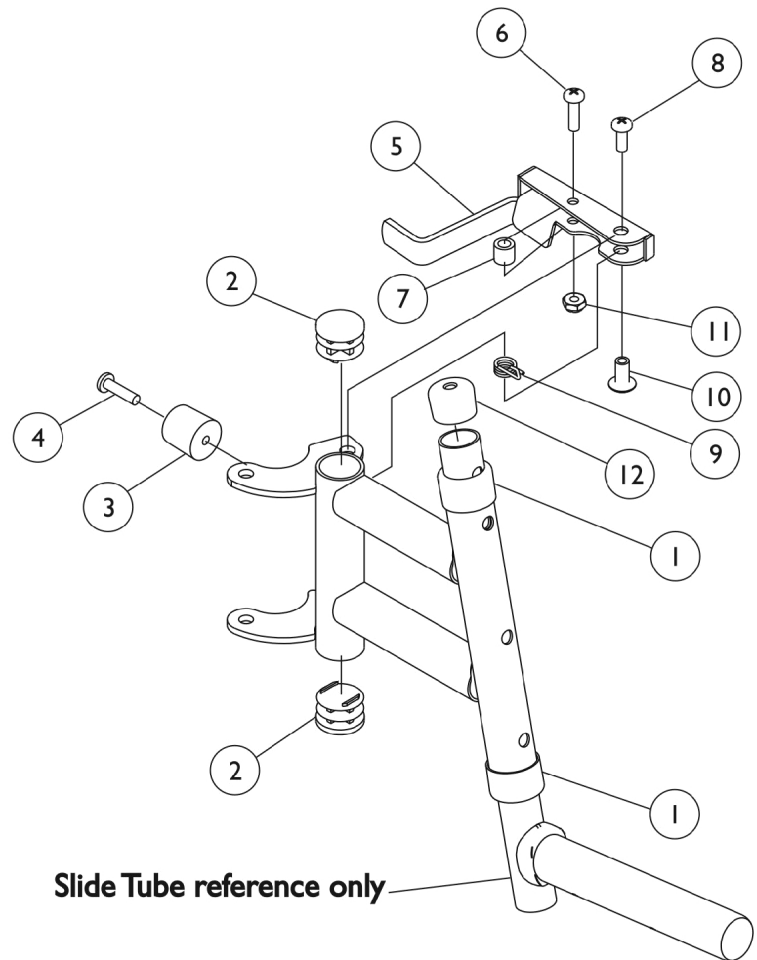
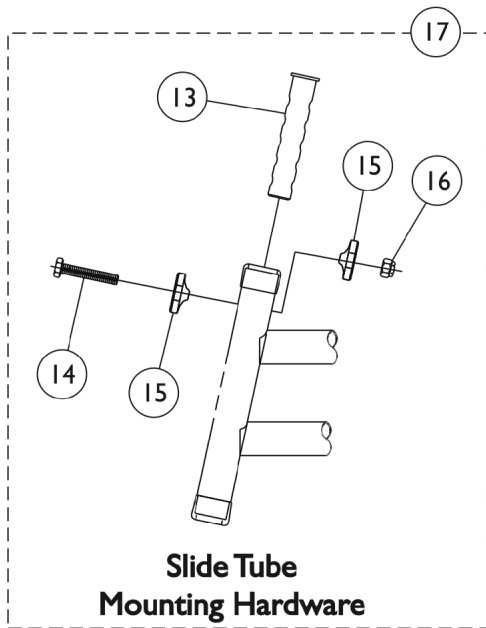


P93E Footrest Supports

Item Number	Note	Part Number	Description	Quantity Per	
				Package	Assembly
1		7930360-NLA	NLA - Package, Screw, Phillips Pan Head (#10-32 x 1 1/16")	25	1
2		7930359-NLA	NLA - Package, Screw, Phillips Pan Head (#10-32 x 1/2")	25	1
3		47565X057	Bushing (7/32 x 3/8 x 1 1/32")	1	1
4		1027095	Plug Button, Black (7/8")	1	1
5		15680X012	Collar, Anti-Rattle (7/8")	1	1
6		11232X009	Bolt, Lug (5/16-24 x 1-3/8")	1	1
7		1107321	Nut, Low Cap (5/16"-24)	1	1
8		1022874	Bumper	1	1
9		1030979	Screw, Phillips Pan Head Tap (#10-32 x 3/4")	1	1
10		67005X000	Rivnut (#10-32)	1	1
11		1008935	Spring, Release - Right	1	1
11		1008936	Spring, Release - Left	1	1
12		7930365-NLA	NLA - Locknut (#10-32)	25	1
13		1035539	Handle, Release, Black - Right	1	1
13		1035540	Handle, Release, Black - Left	1	1
14	C	1006490	Tip, Plastic, Black	1	1
	A,B	8881037691-NL A	NLA - Footrest Support Assembly, Adult, Color - Right	1	1
	A,B	8881037692-NL A	NLA - Footrest Support Assembly, Adult, Color - Left	1	1
	B	1030994-NLA	NLA - Footrest Support Assembly, Adult, Chrome - Right	1	1
	B	1030995-NLA	NLA - Footrest Support Assembly, Adult, Chrome - Left	1	1

NOTE: A - Specify frame color when ordering, see page titled "Frame Finishes, Touch-Up Paints and Upholstery Options."
 B - Not Shown
 C - Before 10/1/00 only

PW93E Footrest Supports

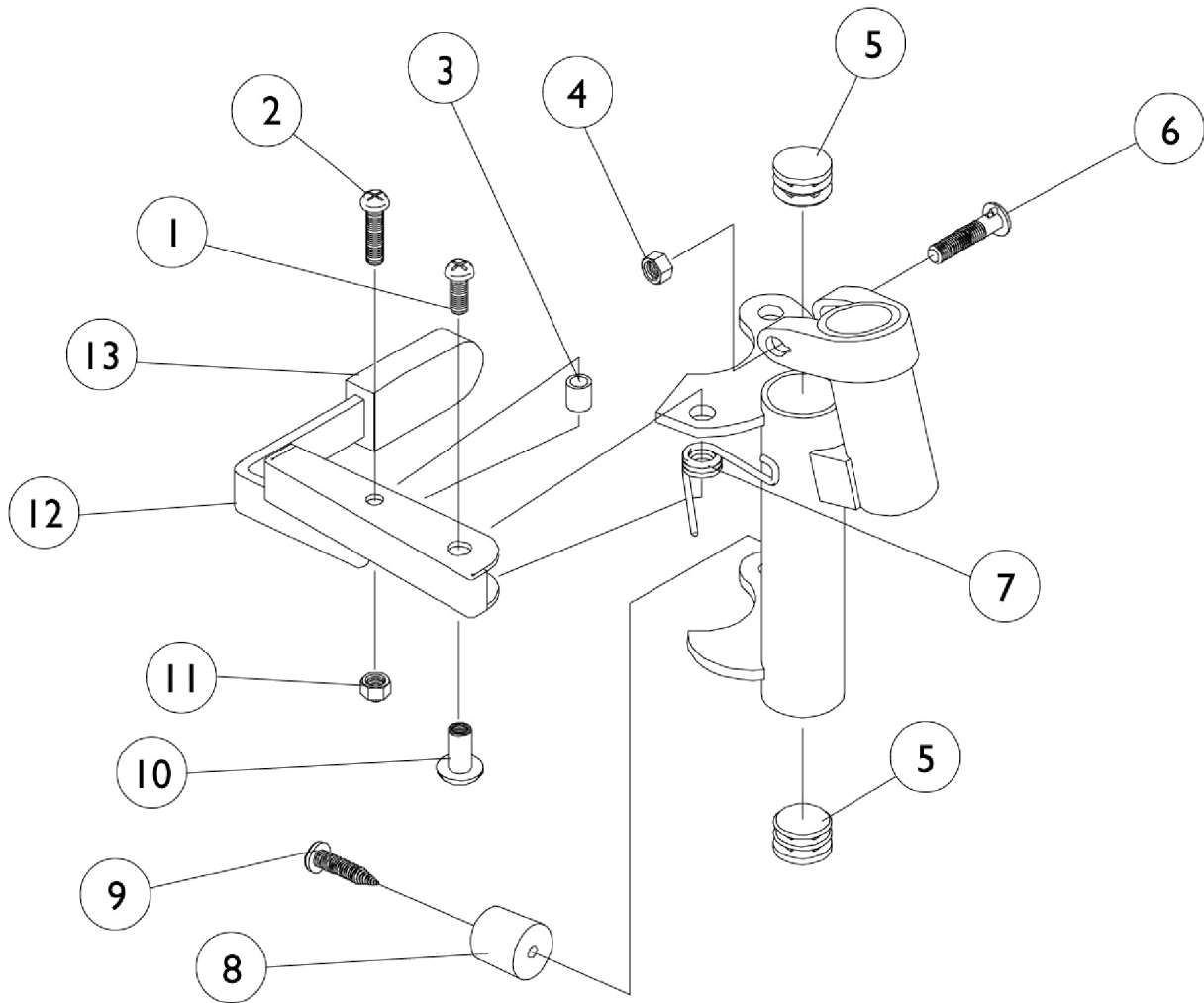


PW93E Footrest Supports

Item Number	Note	Part Number	Description	Quantity Per	
				Package	Assembly
1		15680X012	Collar, Anti-Rattle (7/8")	1	2
2		1027095	Plug Button, Black (7/8")	1	2
3		1022874	Bumper	1	1
4		1030979	Screw, Phillips Pan Head Tap (#10-32 x 3/4")	1	1
5		1035539	Handle, Release, Black - Right	1	1
5		1035540	Handle, Release, Black - Left	1	1
6		1025716	Screw, Phillips Pan Head (#10-32 x 11/16")	1	1
7		47565X057	Bushing (7/32 x 3/8 x 11/32")	1	1
8		1026114	Screw, Phillips Pan Head (#10-32 x 1/2")	1	1
9		1028707	Spring, Release - Right	1	1
9		1028708	Spring, Release - Left	1	1
10		1028846-NLA	NLA - Rivnut (#10-32)	1	1
11		1025735	Locknut (#10-32)	1	1
12		1074108	Cap, End Tube, Black (3/4")	1	1
13	C	1020534	Insert, Threaded	1	1
14		1070759	Screw, Hex Head (1/4-20 x 1-1/2")	1	1
15		1026099	Spacer, Coved (1/4 x 11/16 x 1/2")	1	2
16		1044214	Nut, Hex with Nylon Cap (1/4-20)	1	1
17		1074143	Kit, Slide Tube Mounting Hardware	1	1
	A,B	8881070768-NL A	NLA - Footrest Support Assembly, Adult, Color - Right	1	1
	A,B	8881070769-NL A	NLA - Footrest Support Assembly, Adult, Color - Left	1	1

NOTE: A - Specify frame color when ordering, see page titled "Frame Finishes, Touch-Up Paints and Upholstery Options."
 B - Not Shown
 C - As of 8/15/03, the Threaded Insert was revised from 3 to 5 Holes. Threaded Insert is Backward Compatible and does not require ordering in Pairs.

P93M Footrest Supports

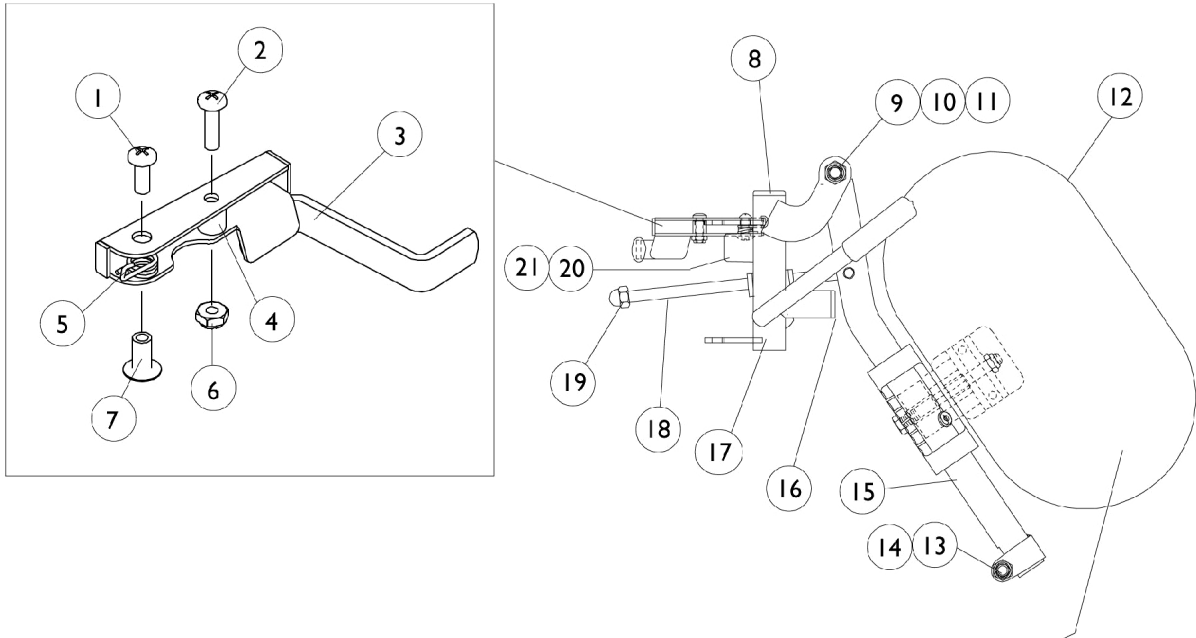


P93M Footrest Supports

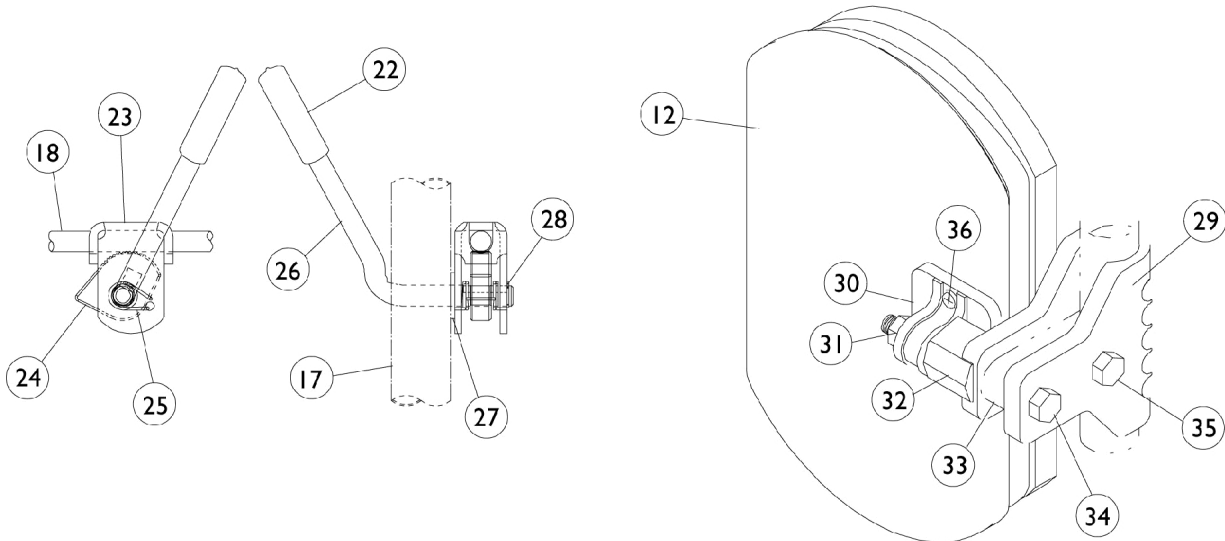
Item Number	Note	Part Number	Description	Quantity Per	
				Package	Assembly
1		7930359-NLA	NLA - Package, Screw, Phillips Pan Head (#10-32 x 1/2")	25	1
2		7930360-NLA	NLA - Package, Screw, Phillips Pan Head (#10-32 x 11/16")	25	1
3		47565X057	Bushing (7/32 x 3/8 x 11/32")	1	1
4		1107321	Nut, Low Cap (5/16"-24)	1	1
5		1027095	Plug Button, Black (7/8")	1	2
6		11232X009	Bolt, Lug (5/16-24 x 1-3/8")	1	1
7		1008935	Spring, Release - Right	1	1
7		1008936	Spring, Release - Left	1	1
8		1022874	Bumper	1	1
9		1030979	Screw, Phillips Pan Head Tap (#10-32 x 3/4")	1	1
10		67005X000	Rivnut (#10-32)	1	1
11		7930365-NLA	NLA - Locknut (#10-32)	25	1
12		1035539	Handle, Release, Black - Right	1	1
12		1035540	Handle, Release, Black - Left	1	1
13	C	1006490	Tip, Plastic, Black	1	1
	A,B	8881037836-NL A	NLA - Footrest Support Assembly, Adult, Color - Right	1	1
	A,B	8881037837-NL A	NLA - Footrest Support Assembly, Adult, Color - Left	1	1
	B	1031191-NLA	NLA - Footrest Support Assembly, Adult, Chrome - Right	1	1
	B	1031192-NLA	NLA - Footrest Support Assembly, Adult, Chrome - Left	1	1
NOTE: A - Specify frame color when ordering, see page titled "Frame Finishes, Touch-Up Paints and Upholstery Options." B - Not Shown C - Before 10/1/00 only					

P904A Legrest Supports

Due to a change to the Legrest Calf Pad size made on 4/23/12, you must also order the hardware kit (1066591) when ordering replacement Calf Pads.



NOTE: Legrest pad and attaching hardware not included with support assembly.



P904A Legrest Supports

Due to a change to the Legrest Calf Pad size made on 4/23/12, you must also order the hardware kit (1066591) when ordering replacement Calf Pads.

P904A Legrest

Item Number	Note	Part Number	Description	Quantity Per	
				Package	Assembly
1		7930328-NLA	NLA - Package, Screw, Phillips Pan Head (#10-32 x 11/16")	25	2
2		7930335-NLA	NLA - Package, Screw, Phillips Pan Head (#10-32 x 1/2")	25	1
3		1035539	Handle, Release, Black - Right	1	1
3		1035540	Handle, Release, Black - Left	1	1
	C,D	1006490	Tip, Plastic, Black	1	1
4		47565X057	Bushing (7/32 x 3/8 x 11/32")	1	1
5		1028707	Spring, Release - Right	1	1
5		1028708	Spring, Release - Left	1	1
6		7930332-NLA	NLA - Locknut, High Profile (#10-32)	25	1
7		1028846-NLA	NLA - Rivnut (#10-32)	1	1
8		1027095	Plug Button, Black (7/8")	1	1
9		11919X000-NLA	NLA - Screw, Slotted Truss Head (3/8-16 x 1-1/2")	1	1
10		1058636-NLA	NLA - Washer, Nylon (25/64 x 7/8 x 1/32")	1	2
11		40363X000	Hex Nut (3/8"-16)	1	1
12	A,E,J	8881091759	Pad w/ Cover and Screws, Legrest Vinyl (Pair)	2	1
12	A,F,J	8881091764	Pad, Legrest, Vinyl - Right/Left	1	1
12	J	01415X000-NLA	NLA - Cover, Legrest Pad	1	1
12	A,J	88804529X003	Pad, Legrest, Vinyl - Right	1	1
12	A,J	88804529X004	Pad, Legrest, Vinyl - Left	1	1
13		7930330-NLA	NLA - Locknut (5/16-24)	25	3
14		1026030	Bolt, Lug (5/16-24 x 1-3/8")	1	1
15		04526X040-NLA	NLA - Tube, Elevating Support, Chrome - Right	1	1
15		04526X041-NLA	NLA - Tube, Elevating Support, Chrome - Left	1	1
15	B	8881048851	Tube, Elevating Adjustable Support, Color - Right	1	1
15	B	8881048852	Tube, Elevating Adjustable Support, Color - Left	1	1
16		1027097	Plug Button, Black (3/4")	1	1
17		1058484-NLA	NLA - Tube, Legrest Support, Chrome - Right	1	1
17		1058485-NLA	NLA - Tube, Legrest Support, Chrome - Left	1	1
17	B	8881058664-NL A	NLA - Tube, Legrest Support, Color - Right	1	1
17	B	8881058665-NL A	NLA - Tube, Legrest Support, Color - Left	1	1
18		42326X004	Bar, Ratchet - Right/Left	1	1
19		7930336-NLA	NLA - Nut, Acorn (5/16-24)	25	1
20		1022874	Bumper	1	1
21		1030979	Screw, Phillips Pan Head Tap (#10-32 x 3/4")	1	1
22		1040060	Tip, Plastic, Black	1	1
23		04528X002	Bracket, Release, Black	1	1
24		1037125	Cam, Legrest	1	1
25		1037485	Spring, Release	1	1

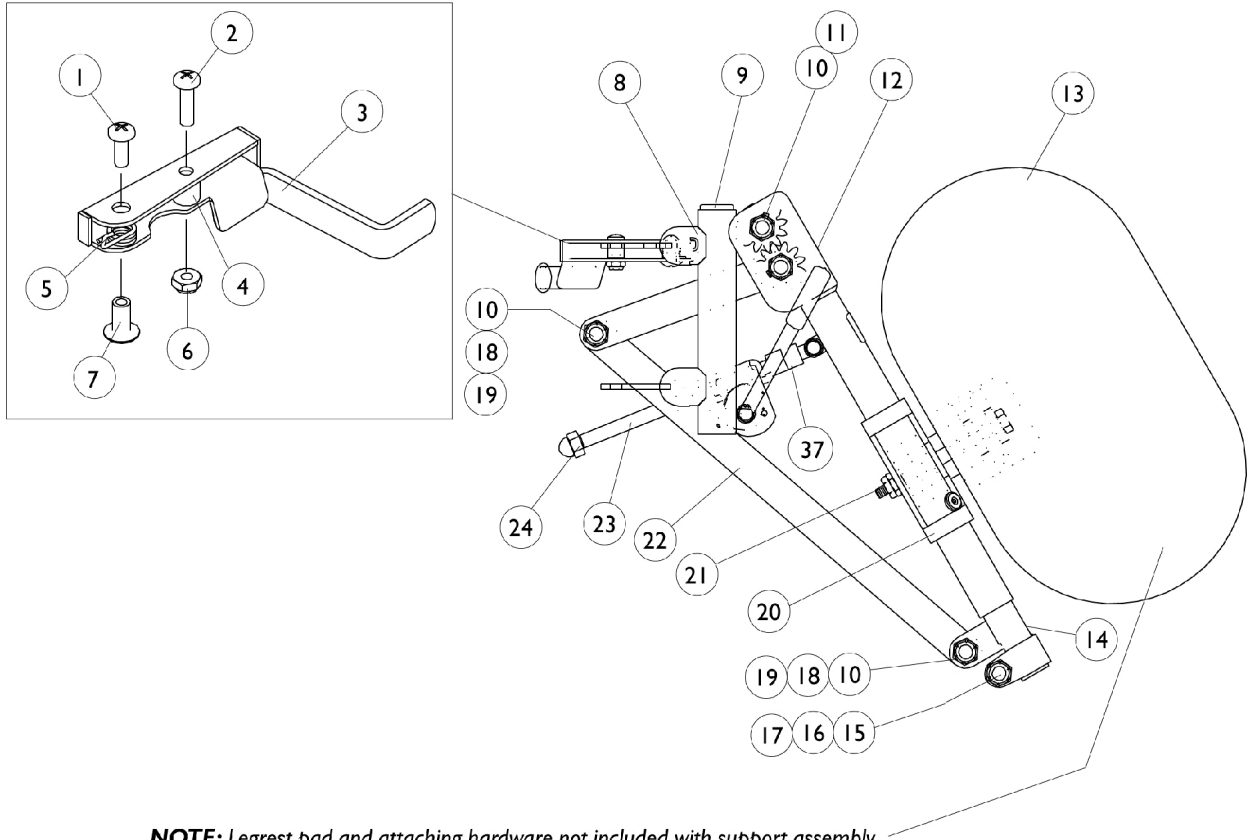
P904A Legrest Supports

Due to a change to the Legrest Calf Pad size made on 4/23/12, you must also order the hardware kit (1066591) when ordering replacement Calf Pads.

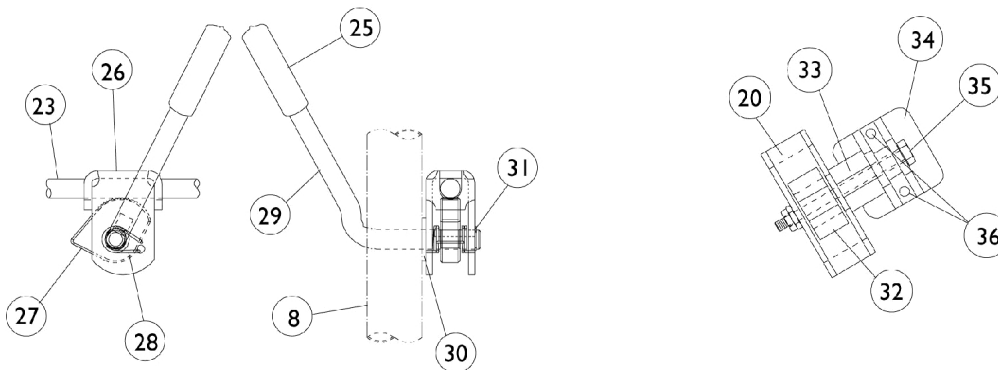
Item Number	Note	Part Number	Description	Quantity Per	
				Package	Assembly
26		1037126	Handle, Release	1	1
27		7930310-NLA	NLA - Washer, Nylon (5/16 x 11/16 x 1/16")	25	1
28		1040831	Ring, Snap	1	1
29		1032266	Bracket, Legrest Pad Mounting, Black	1	1
30		04526X019	Plate, Legrest Pad	1	1
31		7930330-NLA	NLA - Locknut (5/16-24)	25	1
32		1025133	Spacer, Legrest Pad, Black	1	1
33		1032267	Spacer, Legrest Pad Mounting, Black	1	1
34		1037110	Screw, Hex Head (5/16-24 x 3-1/2")	1	1
35		1028514	Screw, Hex Head (5/16-24 x 1-1/2")	1	1
36	I	1066591	Hardware, Legrest Pad	1	1
			Screw, Phillips Pan Head (#10-32 x 11/16")	1	2
			Screw, Phillips Pan Head (#10-32 x 1")	1	2
			Instruction Sheet, Legrest Pad Mtg.	1	1
	B,C,G	8881058646-NL A	NLA - Legrest Support Assembly, Adult, Color - Right	1	1
	B,C,G	8881058647-NL A	NLA - Legrest Support Assembly, Adult, Color - Left	1	1
	C,H	1058488-NLA	NLA - Legrest Support Assembly, Adult, Silver Vein - Right	1	1
	C,H	1058489-NLA	NLA - Legrest Support Assembly, Adult, Silver Vein - Left	1	1
<p>NOTE: A - Specify upholstery color when ordering, see page titled "Frame Finishes, Touch-Up Paints and Upholstery Options." B - Specify frame color when ordering, see page titled "Frame Finishes, Touch-Up Paints and Upholstery Options." C - Not Shown. D - Before 10/1/00 only E - Before 9/5/00 F - After 9/4/00 G - Color 14" to 20" H - 14" to 20". As of 7/6/07, chrome finish option is discontinued and no longer available. I - Item includes Screws and Instruction Sheet. J - Due to a change to the Legrest Calf Pad size made on 4/23/12, you must also order the hardware kit (1066591) when ordering replacement Calf Pads.</p>					

PAS4A/PAL4A Articulating Legrests

Due to a change to the Legrest Calf Pad size made on 4/23/12, you must also order the hardware kit (1066591) when ordering replacement Calf Pads.



NOTE: Legrest pad and attaching hardware not included with support assembly.



PAS4A/PAL4A Articulating Legrests

Due to a change to the Legrest Calf Pad size made on 4/23/12, you must also order the hardware kit (1066591) when ordering replacement Calf Pads.

PAS4A/PAL4A Legrests

Item Number	Note	Part Number	Description	Quantity Per	
				Package	Assembly
1		7930328-NLA	NLA - Package, Screw, Phillips Pan Head (#10-32 x 11/16")	25	1
2		7930335-NLA	NLA - Package, Screw, Phillips Pan Head (#10-32 x 1/2")	25	1
	B,C	1026107	Screw, Phillips Pan Head (#10-32 x 1-3/8")	1	1
	B,C	1028485-NLA	NLA - Nut, Hex (#10-32)	1	1
3		1035539	Handle, Release, Black - Right	1	1
3		1035540	Handle, Release, Black - Left	1	1
	B,C	1006490	Tip, Plastic, Black	1	1
4		47565X057	Bushing (7/32 x 3/8 x 11/32")	1	1
5		1028707	Spring, Release - Right	1	1
5		1028708	Spring, Release - Left	1	1
6		7930332-NLA	NLA - Locknut, High Profile (#10-32)	25	1
7		1028846-NLA	NLA - Rivnut (#10-32)	1	1
8		1058478-NLA	NLA - Tube, Legrest Support - Right	1	1
8		1058479-NLA	NLA - Tube, Legrest Support - Left	1	1
9		1027097	Plug Button, Black (3/4")	1	1
10		40363X000	Hex Nut (3/8"-16)	1	3
11		1022854-NLA	NLA - Screw, Shoulder Slotted Head (1/2 x 1-1/8", 3/8-16)	1	1
12		1022877-NLA	NLA - Tube, Support and Drive Link, Chrome - Right	1	1
12		1022878-NLA	NLA - Tube, Support and Drive Link, Chrome - Left	1	1
13	A,F	8881091759	Pad w/ Cover and Screws, Legrest Vinyl (Pair)	2	1
13	A,F	8881091764	Pad, Legrest, Vinyl - Right/Left	1	1
13	F	01415X000-NLA	NLA - Cover, Legrest Pad	1	1
13	A,F	88804529X003	Pad, Legrest, Vinyl - Right	1	1
13	A,F	88804529X004	Pad, Legrest, Vinyl - Left	1	1
14		1022848	Tube, Slide, Articulating, Chrome - Right	1	1
14		1022849	Tube, Slide, Articulating, Chrome - Left	1	1
15		1027377	Washer (#20)	1	1
16		7930363-NLA	NLA - Package, Locknut (5/16"-24)	25	1
17		11232X009	Bolt, Lug (5/16-24 x 1-3/8")	1	1
18		1022866-NLA	NLA - Screw, Socket Button Head (3/8-16 x 3/4")	1	2
19		1049527	Washer, Nylon (3/8 x 3/4 x 1/16")	1	2
20		1025104	Bracket, Legrest, Chrome	1	1
21		7930363-NLA	NLA - Package, Locknut (5/16"-24)	25	2
22		1022846-NLA	NLA - Bar, Link, Black	1	1
23		1023811-NLA	NLA - Bar, Ratchet - Right	1	1
23		1023812-NLA	NLA - Bar, Ratchet - Left	1	1
24		7930336-NLA	NLA - Nut, Acorn (5/16-24)	25	1
25		1040060	Tip, Plastic, Black	1	1
26		04528X002	Bracket, Release, Black	1	1

PAS4A/PAL4A Articulating Legrests

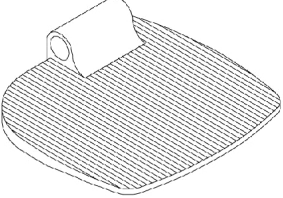
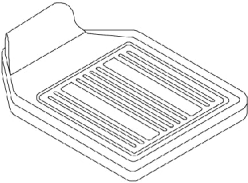
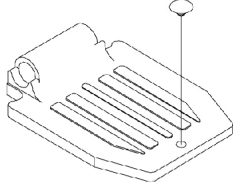
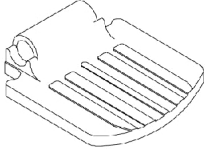
Due to a change to the Legrest Calf Pad size made on 4/23/12, you must also order the hardware kit (1066591) when ordering replacement Calf Pads.

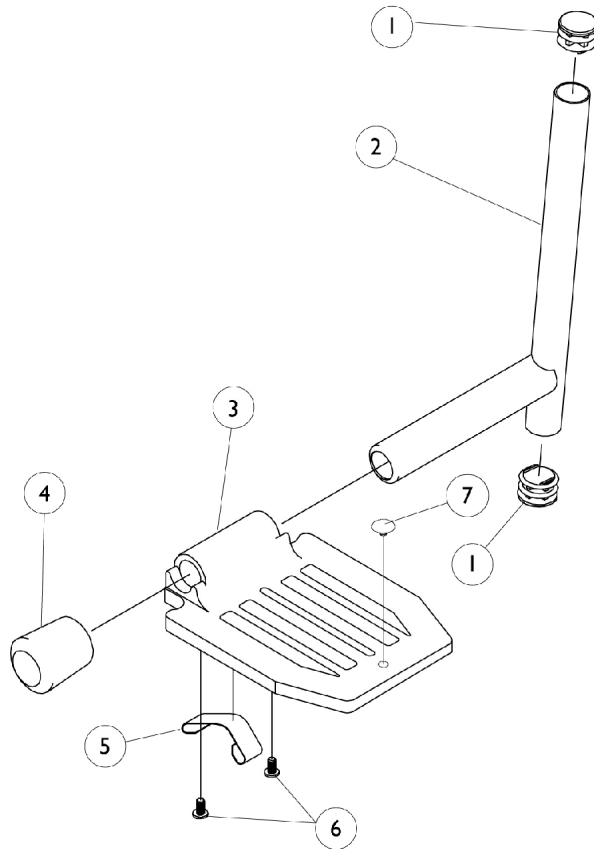
Item Number	Note	Part Number	Description	Quantity Per	
				Package	Assembly
27		1037125	Cam, Legrest	1	1
28		1037485	Spring, Release	1	1
29		1037126	Handle, Release	1	1
30		7930310-NLA	NLA - Washer, Nylon (5/16 x 11/16 x 1/16")	25	1
31		1040831	Ring, Snap	1	1
32		48823X008	Spring, Leaf	1	1
33		1025133	Spacer, Legrest Pad, Black	1	1
34		04526X019	Plate, Legrest Pad	1	1
35		1014807	Screw, Hex Head (5/16-24 x 3-1/4")	1	1
36	E	1066591	Hardware, Legrest Pad	1	1
			Screw, Phillips Pan Head (#10-32 x 11/16")	1	2
			Screw, Phillips Pan Head (#10-32 x 1")	1	2
			Instruction Sheet, Legrest Pad Mtg.	1	1
37		47330X003	Spacer (5/16 x 1/2 x 3/8")	1	2
	C,D	1058482-NLA	NLA - Legrest Support Assembly, Articulating, Adult, Chrome - Right	1	1
	C,D	1058483-NLA	NLA - Legrest Support Assembly, Articulating, Adult, Chrome - Left	1	1
<p>NOTE: A - Specify frame color when ordering, see page titled "Frame Finishes, Touch-Up Paints and Upholstery Options." B - These items are only required on Release Handles for chairs built before 10/1/00 C - Not Shown D - Chrome 14" to 20" E - Item includes Screws and Instruction Sheet. F - Due to a change to the Legrest Calf Pad size made on 4/23/12, you must also order the hardware kit (1066591) when ordering replacement Calf Pads.</p>					

Pivot/ Slide Tube and Footplate

P93, P93E, and P93M

NOTE: Heel Loops are not included. See footrest and legrest accessories.
For complete pivot/slide tube and footplate assemblies, see front riggings reference charts.

			
<p>1350 Extra large</p>	<p>1450 Deluxe</p>	<p>16" to 20" Wide Standard Alum.</p>	<p>14" Wide Standard Alum.</p>



Pivot/ Slide Tube and Footplate P93, P93E, and P93M

NOTE: Heel Loops are not included. See footrest and legrest accessories.

For complete pivot/slide tube and footplate assemblies, see front riggings reference charts.

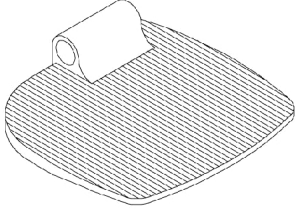
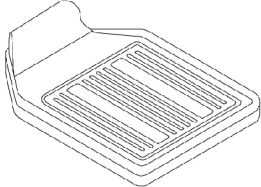
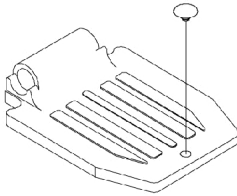
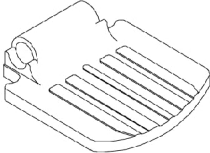
Item Number	Note	Part Number	Description	Quantity Per	
				Package	Assembly
1		1027097	Plug Button, Black (3/4")	1	2
2	A,B	1041527	Pivot/Slide Tube w/ Plug Button, Black	1	1
2	C	1086479-NLA	NLA - Pivot/Slide Tube w/ Plug Button, Black (2" Longer)	1	1
2	C	1086480-NLA	NLA - Pivot/Slide Tube w/ Plug Button, Black (4" Longer)	1	1
2	D	1041525-NLA	NLA - Pivot/Slide Tube w/ Plug Button, Deluxe Aluminum, Black	1	1
3		44200X059	Footplate, Aluminum, Small, Black (6-3/4" W x 6" L)	1	1
3		44200X027	Footplate, Aluminum, Medium, Black (7-3/4" W x 6" L)	1	1
3		1043659-NLA	NLA - Footplate, Aluminum, Deluxe, Black - Right (8" W x 5-3/4" L)	1	1
3		1043660-NLA	NLA - Footplate, Aluminum, Deluxe, Black - Left (8" W x 5-3/4" L)	1	1
3		1002343	Footplate, Aluminum, Extra Large, Black - Right (7" W x 8-1/2" L)	1	1
3		1002344	Footplate, Aluminum, Extra Large, Black - Left (7" W x 8-1/2" L)	1	1
3		44200X025	Footplate, Aluminum, Extra Large, Black - Right (8" W x 8-1/2" L)	1	1
3		44200X026	Footplate, Aluminum, Extra Large, Black - Left (8" W x 8-1/2" L)	1	1
4		1016346	Cap, End, Tube, Black (7/8")	1	1
4		1027095	Plug Button, Black (7/8")	1	1
5		1006981	Spring, Tension	1	2
5		1036120-NLA	NLA - Spring	1	2
5		1036123	Spring, Leaf	1	1
6		7930354-NLA	NLA - Package, Phillips Head Screw (#8-32 x 3/8")	25	2
7		1070168	Plug, Push, Footplate	1	1

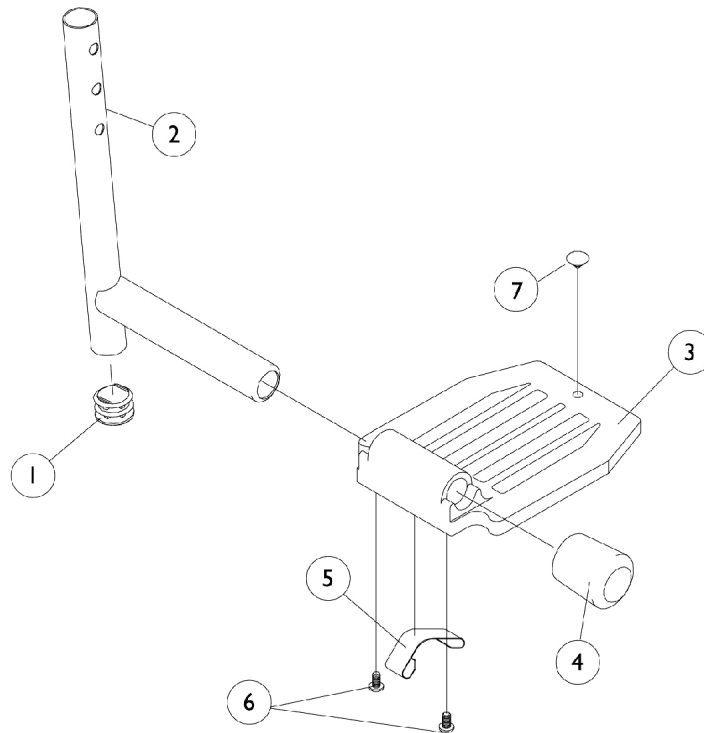
NOTE: A - Aluminum footplates on chairs built before 2/96 had a "Bright aluminum" finish. Footplates after 1/96 now have a black finish. When replacing 1 Bright aluminum footplate it is suggested that 2 new (black) footplates be ordered.
 B - For standard aluminium and extra large aluminium (1350).
 C - For extra large (1350)
 D - For deluxe aluminium (1450)

Pivot/ Slide Tube and Footplate

PW93, PW93E

NOTE: Heel Loops are not included. See footrest and legrest accessories.
For complete pivot/slide tube and footplate assemblies, see front riggings reference charts.

			
<p>1350 Extra large</p>	<p>1450 Deluxe</p>	<p>16" to 20" Wide Standard Alum.</p>	<p>14" Wide Standard Alum.</p>



Pivot/ Slide Tube and Footplate

PW93, PW93E

NOTE: Heel Loops are not included. See footrest and legrest accessories.

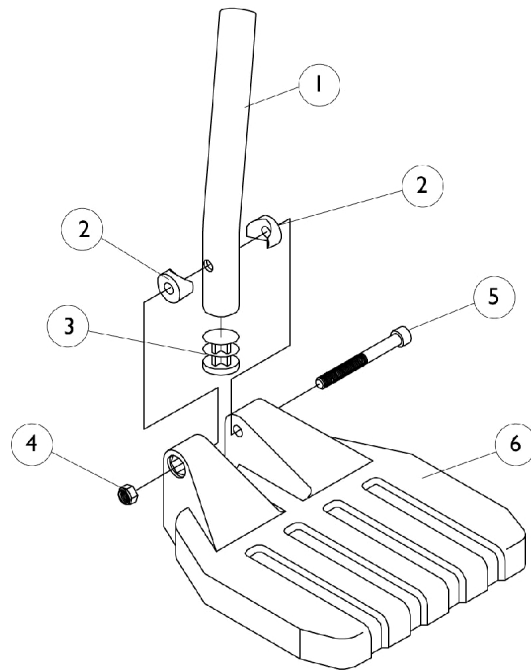
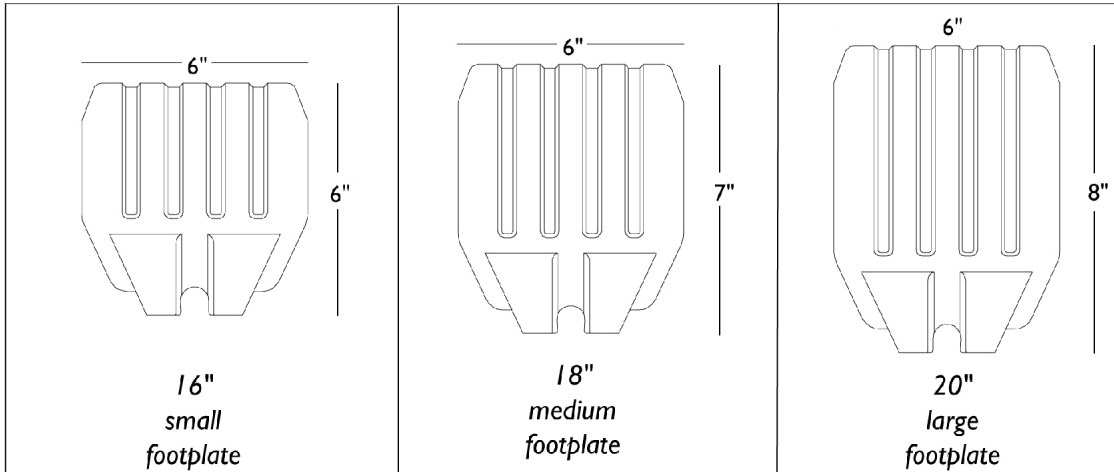
For complete pivot/slide tube and footplate assemblies, see front riggings reference charts.

Item Number	Note	Part Number	Description	Quantity Per	
				Package	Assembly
1		1027097	Plug Button, Black (3/4")	1	1
2		1048834	Pivot/Slide Tube w/ Plug Button, Black	1	1
2		1048834	Pivot/Slide Tube w/ Plug Button, Black	1	1
2		1070762-NLA	NLA - Tube, Pivot/Slide w/ Plug Button, Deluxe Aluminum, Black	1	1
2		1098906	Pivot/Slide Tube w/ Plug Button, Black (2" Longer)	1	1
2		1086482	Pivot/Slide Tube w/ Plug Button, Black (4" Longer)	1	1
3		44200X059	Footplate, Aluminum, Small, Black (6-3/4" W x 6" L)	1	1
3		44200X027	Footplate, Aluminum, Medium, Black (7-3/4" W x 6" L)	1	1
3		1043659-NLA	NLA - Footplate, Aluminum, Deluxe, Black - Right (8" W x 5-3/4" L)	1	1
3		1043660-NLA	NLA - Footplate, Aluminum, Deluxe, Black - Left (8" W x 5-3/4" L)	1	1
3		1002343	Footplate, Aluminum, Extra Large, Black - Right (7" W x 8-1/2" L)	1	1
3		1002344	Footplate, Aluminum, Extra Large, Black - Left (7" W x 8-1/2" L)	1	1
3		44200X025	Footplate, Aluminum, Extra Large, Black - Right (8" W x 8-1/2" L)	1	1
3		44200X026	Footplate, Aluminum, Extra Large, Black - Left (8" W x 8-1/2" L)	1	1
4		1016346	Cap, End, Tube, Black (7/8")	1	1
4		1027095	Plug Button, Black (7/8")	1	1
5		1006981	Spring, Tension	1	2
5		1036120-NLA	NLA - Spring	1	2
5		1036123	Spring, Leaf	1	1
6		7930354-NLA	NLA - Package, Phillips Head Screw (#8-32 x 3/8")	25	2
7		1070168	Plug, Push, Footplate	1	1

Pivot/ Slide Tube and Footplate

P93ST / PW93ST

NOTES: Heel Loops are not included. See footrest and legrest accessories.
For complete pivot/slide tube and footplate assemblies, see front riggings reference charts.



Pivot/ Slide Tube and Footplate

P93ST / PW93ST

NOTES: Heel Loops are not included. See footrest and legrest accessories.

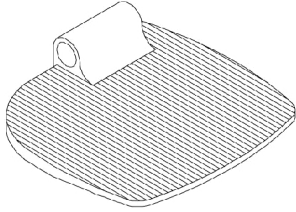
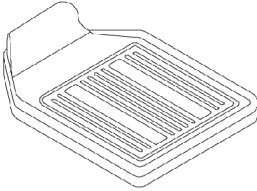
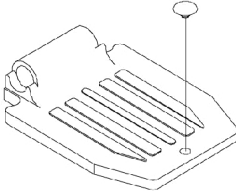
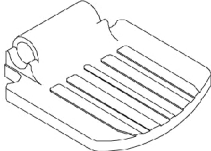
For complete pivot/slide tube and footplate assemblies, see front riggings reference charts.

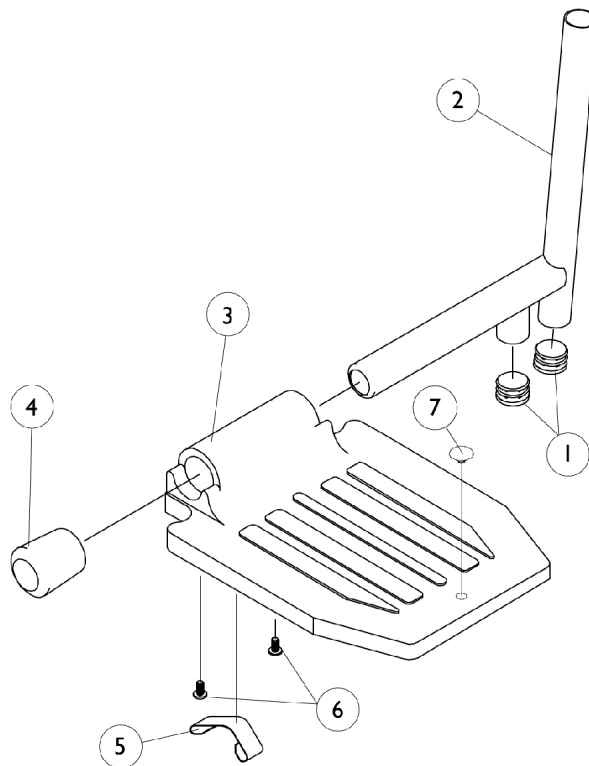
Item Number	Note	Part Number	Description	Quantity Per	
				Package	Assembly
1		1120382	Tube, Pivot/Slide, Curved End, Black - Long (9-7/8")	1	1
1		1057852	Tube, Pivot/Slide, Curved End, Steel, Black (9-7/8")	1	1
2		1025457	Spacer, Coved (1/4 x 3/4 x 11/32")	1	2
3		1027097	Plug Button, Black (3/4")	1	1
4		7930323-NLA	NLA - Package, Locknut (1/4-20)	25	1
5		7930366	Package, Socket Head Screw (1/4-20 x 2-1/4")	25	1
6		1026879	Footplate, Composite, Small, Black (6" W x 6" L)	1	1
6		1026880	Footplate, Composite, Medium, Black (7" W x 6" L)	1	1
6		1026881	Footplate, Composite, Large, Black (8" W x 6" L)	1	1

Pivot/ Slide Tube and Footplate

P904, PAL4A, PAS4A

NOTE: Heel Loops are not included. See footrest and legrest accessories.
For complete pivot/slide tube and footplate assemblies, see front riggings reference charts.

			
1350 Extra large	1450 Deluxe	16" to 20" Wide Standard Alum.	14" Wide Standard Alum.



Pivot/ Slide Tube and Footplate

P904, PAL4A, PAS4A

NOTE: Heel Loops are not included. See footrest and legrest accessories.

For complete pivot/slide tube and footplate assemblies, see front riggings reference charts.

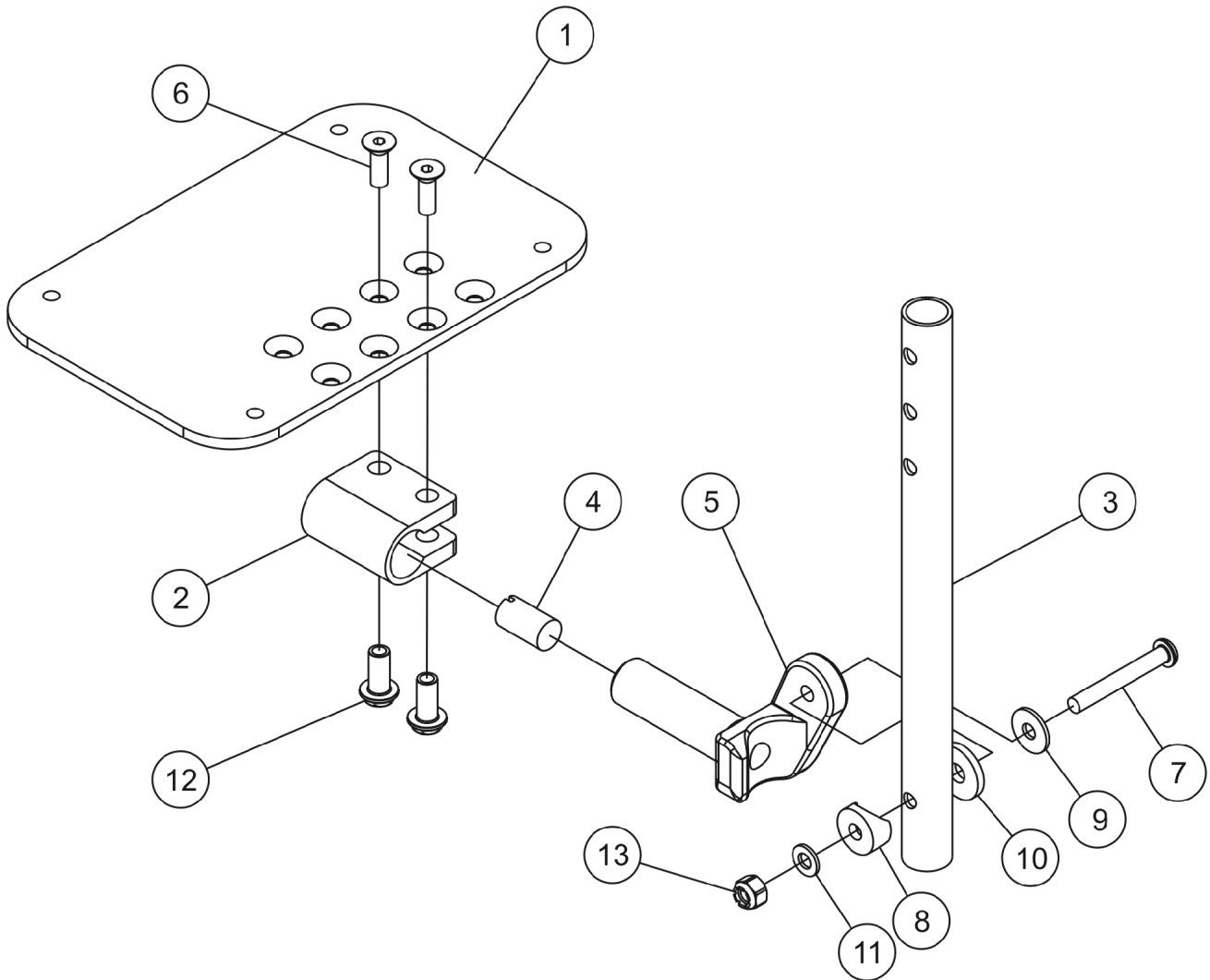
Item Number	Note	Part Number	Description	Quantity Per	
				Package	Assembly
1		1027097	Plug Button, Black (3/4")	1	1
2	C,E,F	1100568-NLA	NLA - Pivot/Slide Tube w/ Plug Button, Black	1	1
2	C	1100569-NLA	NLA - Pivot/Slide Tube Assembly, Extra Large, Standard Aluminium - 2" Longer, Black	1	1
2	C,E,F	1100570-NLA	NLA - Pivot/Slide Tube w/ Plug Button, Black (4" Longer)	1	1
2	E,F,B	1041526	Pivot/Slide Tube w/ Plug Button Assembly, Chrome	1	1
2	C,G	1100571-NLA	NLA - Pivot/Slide Tube w/ Plug Button, Deluxe, Black	1	1
3	D	44200X059	Footplate, Aluminum, Small, Black (6-3/4" W x 6" L)	1	1
3	A	44200X027	Footplate, Aluminum, Medium, Black (7-3/4" W x 6" L)	1	1
3		1043659-NLA	NLA - Footplate, Aluminum, Deluxe, Black - Right (8" W x 5-3/4" L)	1	1
3		1043660-NLA	NLA - Footplate, Aluminum, Deluxe, Black - Left (8" W x 5-3/4" L)	1	1
3	D	1002343	Footplate, Aluminum, Extra Large, Black - Right (7" W x 8-1/2" L)	1	1
3	D	1002344	Footplate, Aluminum, Extra Large, Black - Left (7" W x 8-1/2" L)	1	1
3		44200X025	Footplate, Aluminum, Extra Large, Black - Right (8" W x 8-1/2" L)	1	1
3		44200X026	Footplate, Aluminum, Extra Large, Black - Left (8" W x 8-1/2" L)	1	1
4	E	1016346	Cap, End, Tube, Black (7/8")	1	1
4	F	1027095	Plug Button, Black (7/8")	1	1
5	E	1006981	Spring, Tension	1	2
5	G	1036120-NLA	NLA - Spring	1	2
5	F,H	1036123	Spring, Leaf	1	1
6		40120X001	Screw, Phillips Pan Head (#8-32 x 3/8")	1	2
7		1070168	Plug, Push, Footplate	1	1

NOTE: A - Aluminum footplates on chairs built before 2/96 had a "Bright aluminum" finish. Footplates after 1/96 now have a black finish. When replacing 1 Bright aluminum footplate, it is suggested that 2 new (black) footplates be ordered.
 B - PAL4/PAS4A
 C - P904
 D - 14" Wide
 E - Standard Aluminium Footplate
 F - Extra Large Aluminium Footplate
 G - Deluxe Aluminium Footplate
 H - Use one or more leaf springs per assembly as required such that footplate may be moved by hand to the up-right position and remain in place.

AT5543 Adjustable Angle Footplate Assemblies

PW93, PW93E

NOTE: Heel Loops are not included. See footrest and legrest accessories.
For complete pivot/slide tube and footplate assemblies, see front riggings reference charts.



AT5543 Adjustable Angle Footplate Assemblies

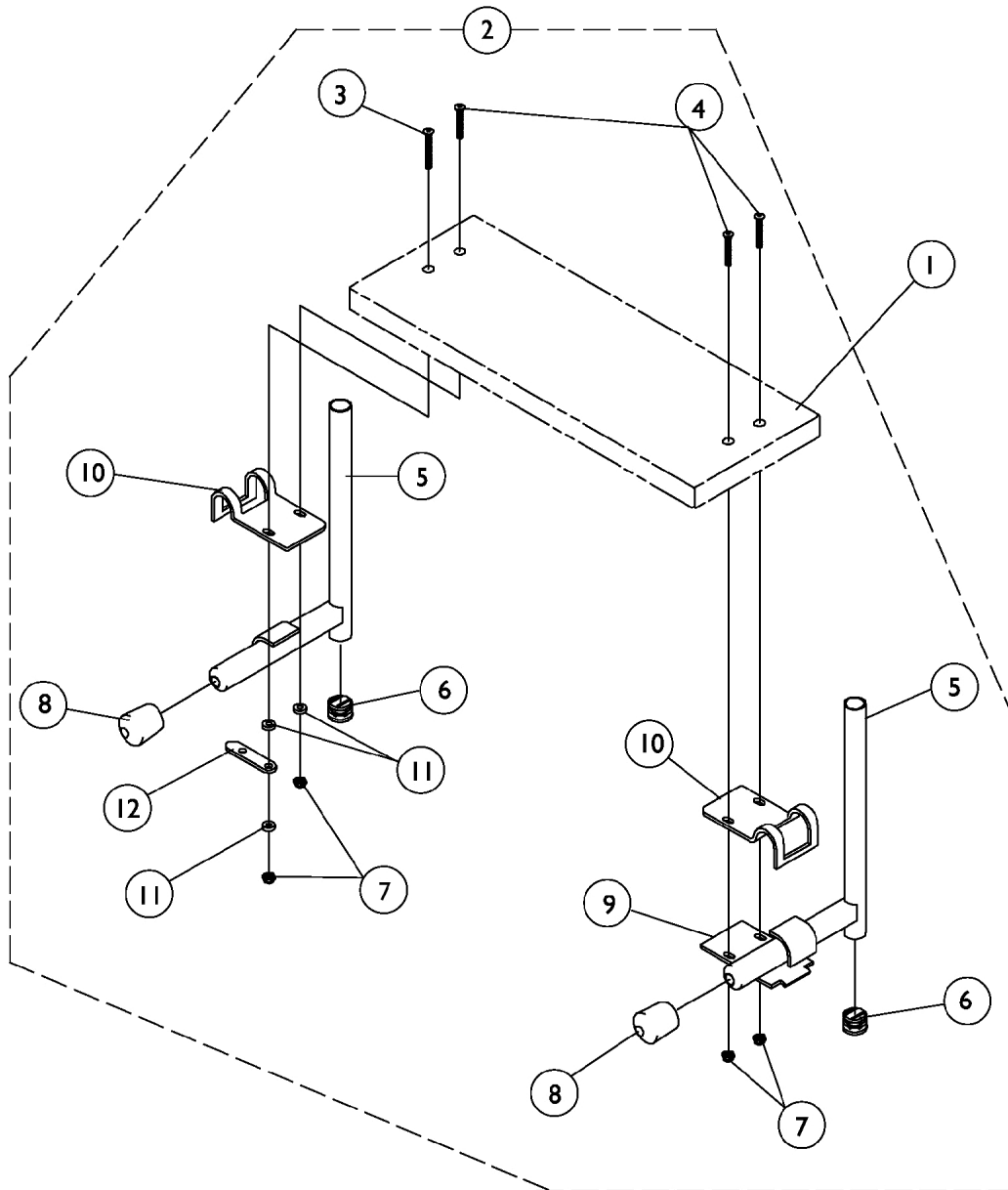
PW93, PW93E

**NOTE: Heel Loops are not included. See footrest and legrest accessories.
For complete pivot/slide tube and footplate assemblies, see front riggings reference charts.**

Item Number	Note	Part Number	Description	Quantity Per	
				Package	Assembly
1	B	1113573	Footplate, Adjustable Angle, Large, Black (5-1/4" W x 8" L)	1	1
1	B	1113574	Footplate, Adjustable Angle, Extra Large, Black (6-1/4" W x 8" L)	1	1
2	A	1058517	Clamp, Footplate	1	1
3		1057855	Tube, Pivot and Slide, Straight, Steel, Black (9-7/8" L)	1	1
4		1048816	Screw, Nylon Adjustment (1/2-13 x 7/8")	1	1
5		1052102	Hinge, Footplate - Right	1	1
5		1052103	Hinge, Footplate - Left	1	1
6	A	1029545	Screw, Socket Flat Head (1/4-20 x 3/4")	1	2
7		7930321-NLA	NLA Package, Screw, Socket Button Head (1/4-20 x 1-7/8")	25	1
8		1025457	Spacer, Coved (1/4 x 3/4 x 11/32")	1	1
9		1026900	Washer (1/4 x 23/32 x 1/16")	1	1
10		7930313	Package, Washer, Nylon (5/16 x 7/8 x 1/8")	25	1
11		1026907	Washer (1/4 x 1/2 x 1/16")	1	1
12	A	1082686	Nut, Barrel, Hex Head (1/4-20 x 11/16")	1	2
13		7930333	Locknut (1/4-20)	25	1

NOTE: A - Items 2, 6 and 12 must be ordered together for chairs manufactured before 8/10/99 due to a hardware change.
B - This footplate was revised 9/2/2008 with rounder corners and accessory holes changed from 8 to 4. Recommended to replace footplate in pairs to match sides.

S1263 One Piece Wooden Footboard and Hardware



S1263 One Piece Wooden Footboard and Hardware

Item Number	Note	Part Number	Description	Quantity Per	
				Package	Assembly
1	A	See Chart	#1 One Piece Wooden Footboard without Hardware	1	1
		See Chart	Heel Loop Hardware Packages (not shown)	1	1
2	B	1032013-NLA	NLA - Kit, Wooden Footboard Mounting Hardware	1	1
3			NLA - Screw, Phillips Oval Head (#10-32 x 1-1/2")	1	1
4			NLA - Screw, Phillips Oval Head (#10-32 x 1-1/4")	1	3
5			NLA - Tube, Slide - Right	1	1
5			NLA - Tube, Slide - Left	1	1
6			Plug Button, Black (3/4")	1	2
7			Locknut (#10-32)	1	4
8			Cap, End, Tube, Black (7/8")	1	2
9			Lock, Pad Plate, Legrest, Black	1	1
10			Clamp, Black	1	2
11			NLA - Washer, Nylon (3/16 x 7/16 x 1/8")	1	3
12			NLA - Link, Locking, Chrome	1	1

NOTE: A - Not Shown.
B - Includes items 3-12

#1 One Piece Wooden Footboard without Hardware

Footrest-Footboard w/ Heel Loop Holes Part Number	Footrest-Footboard w/o Heel Loop Holes Part Number	Chair Width	Footboard Width	Footboard Depth
1034245-NLA	48247X003-NLA	14"	11-5/8"	6"
1034247-NLA	48247X001-NLA	16"	13-3/4"	6"
1034249-NLA	48247X000-NLA	18"	15-9/16"	6"
1034251-NLA	1031913-NLA	20"	17-1/2"	6"

S1263 One Piece Wooden Footboard and Hardware

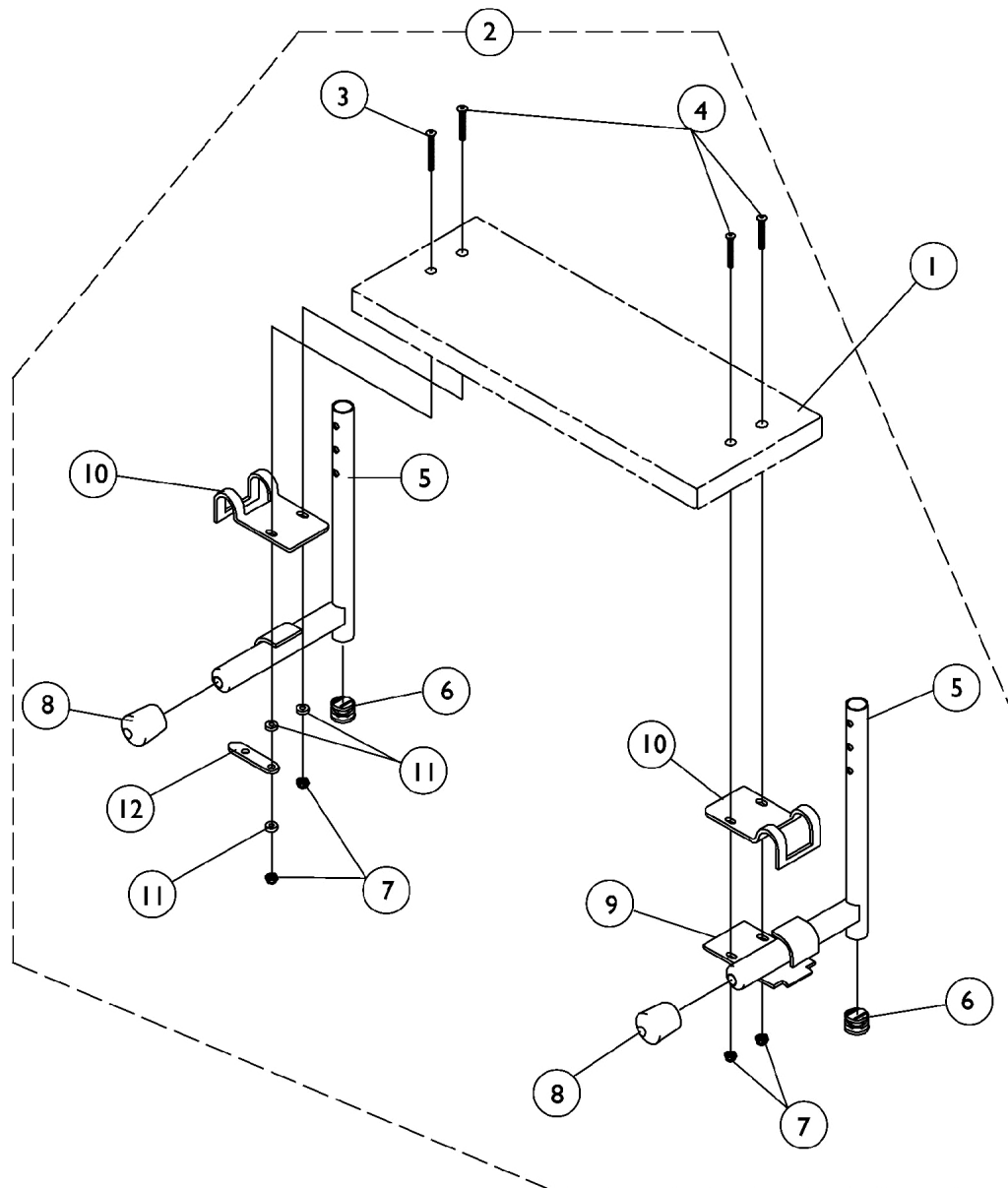
Heel Loop Hardware Packages (not shown)

(All hardware is included to attach heel loops to footboard.)

Chair Width	Part Number	Package Includes
14-15" Wide	1033904-NLA	2 each Heel Loops 4 each Screw, PPH (1/4-20 x 3") 4 each Spacer (1/4 x 11/32 x 1-3/4") 4 each Locknut (1/4-20)
16"-20" Wide	1033905-NLA	2 each Heel Loops 4 each Screw, PPH (1/4-20 x 3") 4 each Spacer (1/4 x 11/32 x 1-3/4") 4 each Locknut (1/4-20)

S1263 One Piece Wooden Footboard and Hardware

PW93, PW93E



S1263 One Piece Wooden Footboard and Hardware

PW93, PW93E

S1263 One Piece Wooden Footboard and Hardware

PW93, PW93E

Item Number	Note	Part Number	Description	Quantity Per	
				Package	Assembly
1	A	See Chart	#1 One Piece Wooden Footboard without Hardware	1	1
		See Chart	Heel Loop Hardware Packages (not shown)	1	1
2	B	1054573	Kit, Wooden Footboard Mounting Hardware	1	1
3			NLA - Screw, Phillips Oval Head (#10-32 x 1-1/2")	1	1
4			NLA - Screw, Phillips Oval Head (#10-32 x 1-1/4")	1	3
5			Tube, Pivot/Slide, Chrome - Right (9-1/2" L)	1	1
5			Tube, Pivot/Slide, Chrome - Left (9-1/2" L)	1	1
6			Plug Button, Black (3/4")	1	2
7			Locknut (#10-32)	1	4
8			Cap, End, Tube, Black (7/8")	1	2
9			Lock, Pad Plate, Legrest, Black	1	1
10			Clamp, Black	1	2
11			NLA - Washer, Nylon (3/16 x 7/16 x 1/8")	1	3
12			NLA - Link, Locking, Chrome	1	1

NOTE: A - Not Shown.
B - Includes items 3-12

#1 One Piece Wooden Footboard without Hardware

Footrest- Footboard w/ Heel Loop Holes Part Number	Chair Width	Footboard Width	Footboard Depth
1034245-NLA	14"	11-5/8"	6"
1034247-NLA	16"	13-3/4"	6"
1034249-NLA	18"	15-9/16"	6"
1034251-NLA	20"	17-1/2"	6"

S1263 One Piece Wooden Footboard and Hardware

PW93, PW93E

Heel Loop Hardware Packages (not shown)

(All hardware is included to attach heel loops to footboard.)

Chair Width	Part Number	Package Includes
14-15" Wide	1033904-NLA	2 each Heel Loops 4 each Screw, PPH (1/4-20 x 3") 4 each Spacer (1/4 x 11/32 x 1-3/4") 4 each Locknut (1/4-20)
16"-20" Wide	1033905-NLA	2 each Heel Loops 4 each Screw, PPH (1/4-20 x 3") 4 each Spacer (1/4 x 11/32 x 1-3/4") 4 each Locknut (1/4-20)

Footrest and Legrest Accessories

Item Number	Note	Part Number	Description	Quantity Per	
				Package	Assembly
	B,D	1026987	Guard, Impact (8" L)	1	2
	C	1143050	Non-Removable Device, Footrest/Legrest (1820)	1	1
			NLA - Non-Removable Device, Footrest-Legrest	1	1
			Carton	1	1
		1032003	Strap, "H" Heel	1	1
		1032002	Strap, "H" Heel	1	1
		1035902	Strap, Calf w/ Hook and Loop (31" L)	1	1
	A	8881006725-NL A	NLA - Panel, Legrest	1	1
	A	8881006726	Panel, Legrest	1	1
	A	8881006727-NL A	nla - Panel, Legrest	1	1
	A	8881035816-NL A	NLA - Panel, Legrest	1	1
	A	8881035817-NL A	NLA - Panel, Legrest	1	1
	A	8881035818-NL A	NLA - Panel, Legrest	1	1
	B	See Chart	AT5543 Heel Loops and Hardware	1	1
	B	See Chart	Toe Loops and Hardware	1	1

NOTE: A - Specify frame color when ordering, see page titled "Frame Finishes, Touch-Up Paints and Upholstery Options."
 B - Not Shown
 C - Includes Device, Non-Removable and Carton.
 D - For 70 deg. Tapered Footrest.

AT5543 Heel Loops and Hardware

Heel Loops and Hardware	Heel Loops w/ Ankle Strap and Hardware	Attaching Hardware Only
1160723	1160724	1035931 Kit, Heel Loop Attaching Hardware (Pair)
(2) Heel Loops (4) Screw, Phillips Pan Head (1/4-20 x 2-1/4") (4) Spacer (4) Locknut (1/4-20)	(2) Heel Loops w/ Ankle Straps (4) Screw, Phillips Pan Head (1/4-20 x 2-1/4") (4) Spacer (4) Locknut (1/4-20)	(2) Screw, Phillips Pan Head (1/4-20 x 2-1/4") (2) Spacer (1/4 x 11/32 x 1-3/4") (2) Hex Nut w/ Nylon Cap (1/4-20) (2) Flat Washer (1/4 x 5/8 x 1/16")

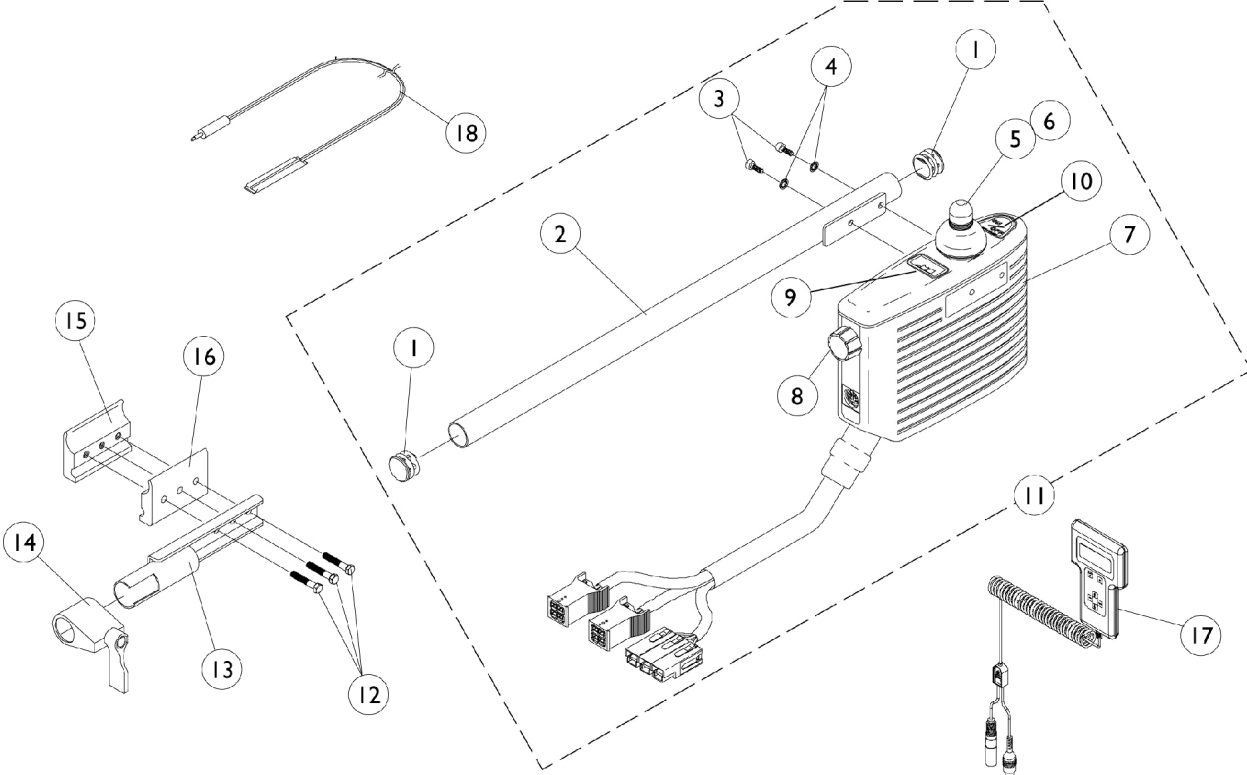
Toe Loops and Hardware

Footrest and Legrest Accessories

Toe Loops and Hardware

Toe Loops (1345)	Toe Loop Single #	Toe Loop Pair #
All Sizes	04572X025	1037087
1350, 1450, 1650 and 1651 Footplates	1037089 Hardware, Toe Loop (Pair)	(4) Screw, Phillips Pan Head (10-32 x 7/8") (4) Washer (1/4 x 3/4 x 3/32") (4) Locknut (10-32)
AT5543 Footplates	1104749 Hardware, Toe Loops and Footplate (Pair)	(4) Screw, Phillips Pan Head (10-32 x 7/8") (4) Washer (1/4 x 3/4 x 3/32")

INT. Controller, Programmer and Attaching Hardware

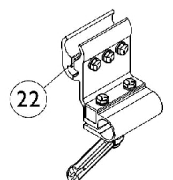
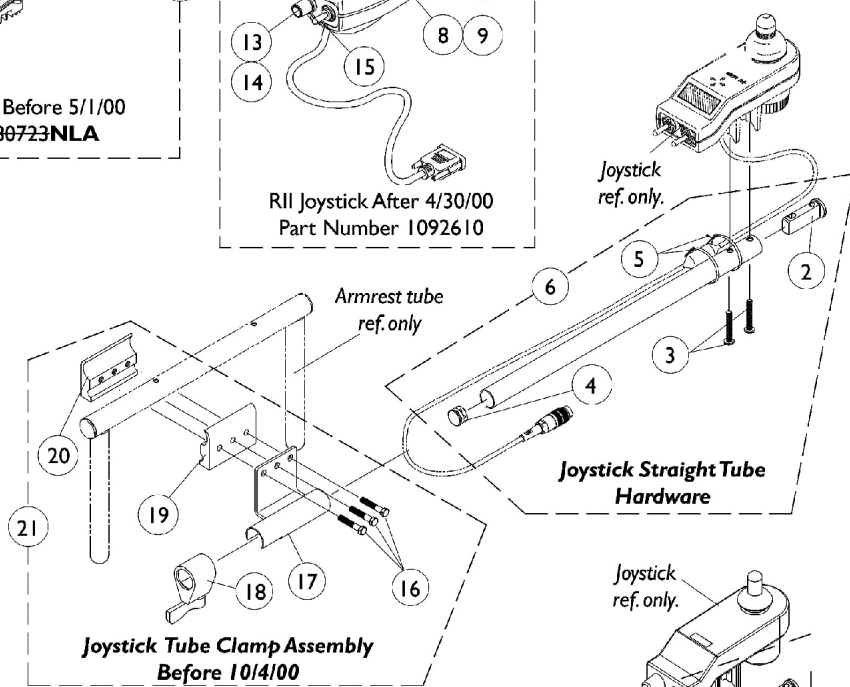
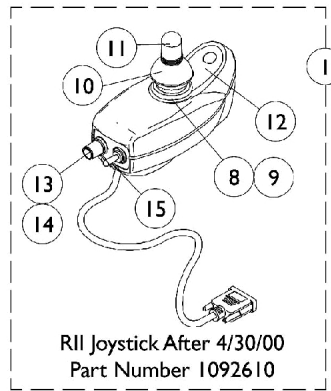
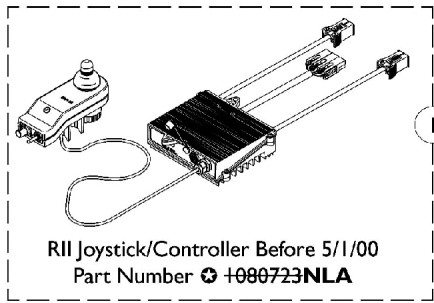


INT. Controller, Programmer and Attaching Hardware

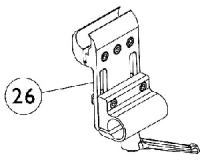
Item Number	Note	Part Number	Description	Quantity Per	
				Package	Assembly
1		1027095	Plug Button, Black (7/8")	1	2
2		1056086-NLA	NLA - Tube, Controller Mounting	1	1
3		1056087-NLA	NLA - Screw, Socket Head (#10-32 x 1/2")	1	2
4		1027263-NLA	NLA - Washer, Lock Internal Tooth (#10)	1	2
5		1040217	Knob, Joystick Rubber, Black	1	1
6		1040218	Skirt, Joystick Rubber, Black	1	1
7	A	1055623-NLA	NLA - Controller, MKIV INT.	1	1
8		1056559-NLA	NLA - Knob, Speed Control	1	1
9		GLA35137-NLA	NLA - Decal, Battery	1	1
10		GLA35136-NLA	NLA - Decal, On-Off	1	1
11		1056088-NLA	NLA - Controller with Tube	1	1
12		7930349-NLA	NLA - Screw, Hex Head (1/4-20 x 1-1/8")	25	3
13		1035414-NLA	NLA - Tube, Controller Bracket	1	1
14		1027274	Adjustment Lock Assemnbly, Black	1	1
15		1027267-NLA	NLA - Half Clamp, Threaded Holes	1	1
16		1027266	Half Clamp, Non-Threaded Holes	1	1
17		1109091-NLA	NLA - Programmer, Remote	1	1
18		1020818	Switch, Red Flex Ribbon (Tape) Reset	1	1
18	C	1123276	Kit, Switch, Black Egg Reset w/ Hook/Loop Adhesive Back Fastener & Attaching Screws (EGSBLK)	1	1
	B	1058491-NLA	NLA - Connector Boot, Wire	1	1

NOTE: A - Includes items 5, 6, 8, 9 and 10.
 B - Not Shown
 C - Not Shown. After 5/23/04 the Egg Reset Switch became available as a service part and can be used as a direct replacement for the tape reset switch part # 1020818.

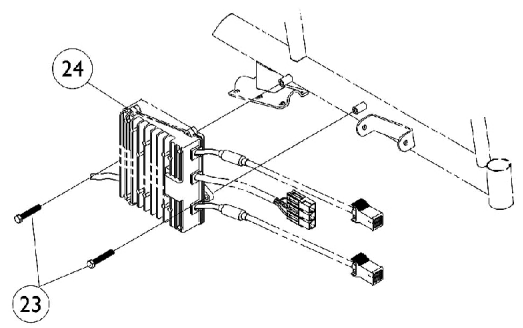
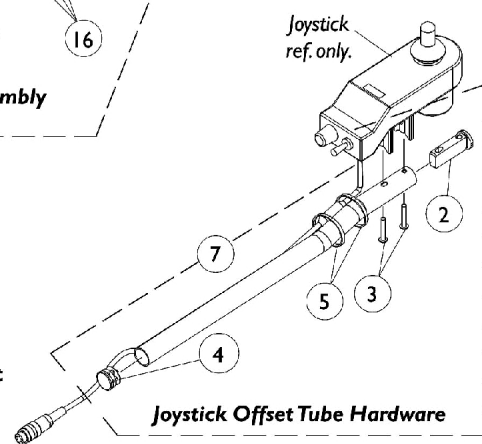
MKIV RII Joystick, Controller and Hardware



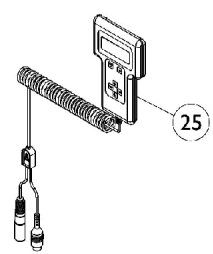
Joystick Tube Fixed Height
Clamp Assembly
After 10/3/00



Joystick Tube Adjustable Height
Clamp Assembly



Joystick Tube Clamp Assembly
Before 10/4/00



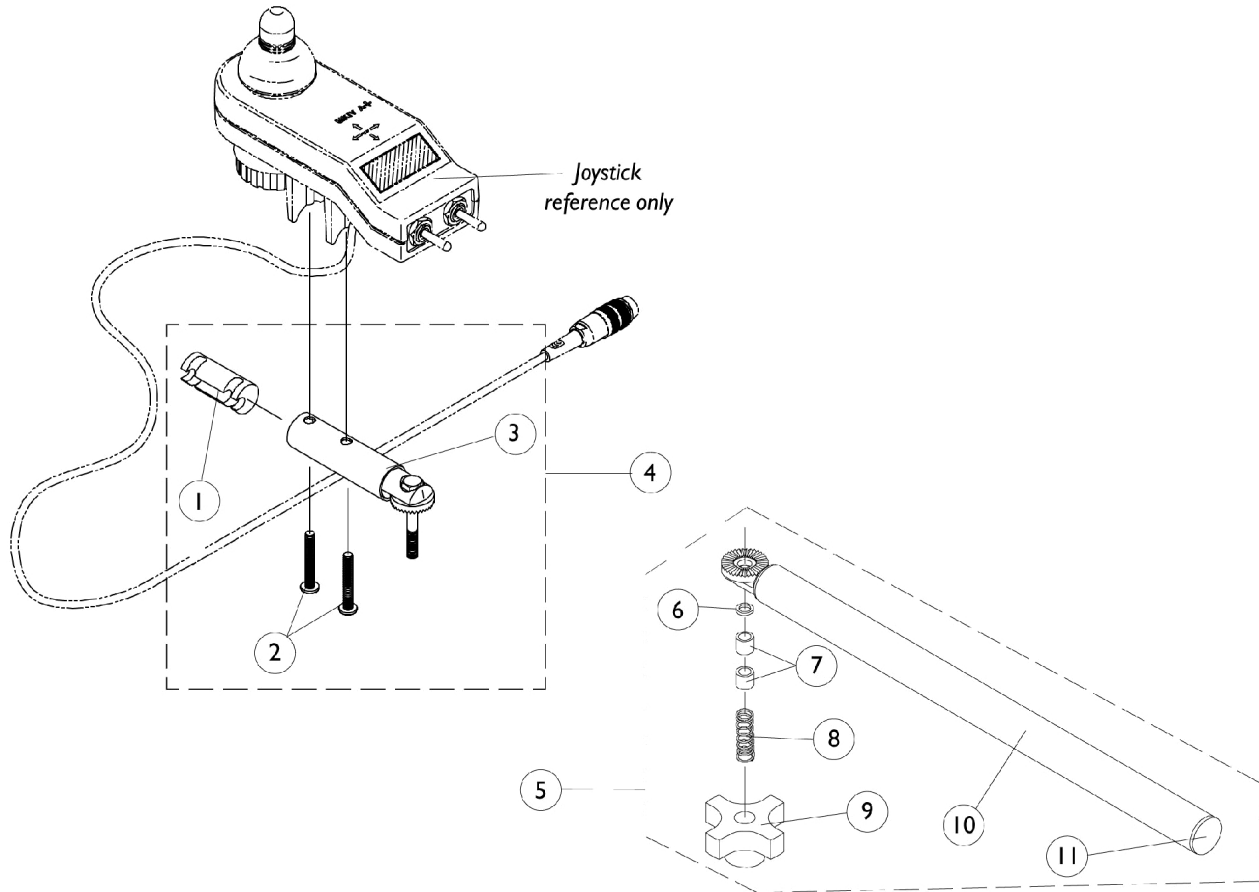
MKIV RII Joystick, Controller and Hardware

Item Number	Note	Part Number	Description	Quantity Per	
				Package	Assembly
1	B,C,A	1080723-NLA	NLA - Joystick/Controller, MKIV RII	1	1
1	D	1092610-NLA	NLA - Joystick, RII	1	1
2		1093063	Spacer, Joystick Tube, Black	1	1
3		7930327-NLA	NLA - Package, Screw, Phillips Pan Head (#10-32 x 1-1/8")	25	2
4		1027095	Plug Button, Black (7/8")	1	1
5		1095502-NLA	NLA - Package, Tie Wrap (11-1/2" L)	10	2
6	E	1043568	Kit, Straight Joystick Tube with Hardware	1	1
7	F,F1,O	1093069	Kit, 1/2" Offset Joystick Tube with Hardware	1	1
8		1036764-NLA	NLA - Inductive, Joystick	1	1
9		50000X364-NLA	NLA - Boot, Joystick	1	1
10		1040218	Skirt, Joystick Rubber, Black	1	1
11		1040217	Knob, Joystick Rubber, Black	1	1
12	A	1049692-NLA	NLA - Overlay, Joystick Decal	1	1
13		1025516-NLA	NLA - Knob, Speed Control	1	1
14		1040225-NLA	NLA - Potentiometer, Speed	1	1
15		1010042-NLA	NLA - Switch, Toggle SPDT	1	1
16		7930349-NLA	NLA - Screw, Hex Head (1/4-20 x 1-1/8")	25	3
17		1049582-NLA	NLA - Bracket, Joystick Mounting, Black	1	1
18		1027274	Adjustment Lock Assembly, Black	1	1
19		1027266	Half Clamp, Non-Threaded Holes	1	1
20		1027267-NLA	NLA - Half Clamp, Threaded Holes	1	1
21	E,H	1049591-NLA	NLA - Hardware, Joystick Tube Mounting	1	1
22	F,F1,O	1093071	Clamp, Fixed Height Joystick Tube	1	1
23		1088897-NLA	NLA - Screw, Hex Head w/ Patch (1/4-20 x 1-1/4")	1	2
24	I	1095269-NLA	NLA - Controller, MKIV RII, Retro	1	1
25	J	1109091-NLA	NLA - Programmer, Remote	1	1
26		1139422	Clamp, Height Adjustable Joystick Tube (ARM250)	1	1
	K,L	1064404-NLA	NLA - Virtual Service Modem Kit	1	1
	K,M	1091631-NLA	NLA - Virtual Service Software Kit	1	1
	K	1095204-NLA	NLA - Cable, Virtual Service, Charger/Modem	1	1
	K	1091980-NLA	NLA - Disk, 3.5 H.D. Floppy with V.S. Software	1	1
	K	1091637-NLA	NLA - Adaptor, Null Modem	1	1
	K	1091636-NLA	NLA - Service Manual - V.S. Software Kit	1	1
	K,N	1046117-NLA	NLA - Printer and Interface	1	1
	K	1026572-NLA	NLA - Paper, Printer	1	1
	K	1027280-NLA	NLA - Harness, Printer Wiring	1	1
	K	1058491-NLA	NLA - Connector Boot, Wire	1	1

MKIV RII Joystick, Controller and Hardware

- NOTE:
- A - Before 5/1/00
 - B - RII Retro controller after 4/30/00 and new RII joystick part # (1092610) serve as direct replacements for joystick/controller part #(1092610).
 - C - For chairs made before 5/1/00, the following must ordered: RII Joystick, part # (1092610), RII Retro Controller, part # (1095269) and Remote Programmer, part # (1109091).
 - D - After 4/30/00
 - E - Before 10/4/00
 - F - The joystick straight tube changed to an offset joystick tube on 10/4/00. The joystick tube mounting hardware also changed to a new fixed height clamp assembly to allow an individual to use an
 - F1 - adjustment lever to securely hold the joystick tube in place. The fixed height joystick tube clamp can be used as a direct replacement in the field for the joystick tube mounting hardware part number 1049591 manufactured for chairs before 10/4/00.
 - H - Includes items 16-20
 - I - After 4/30/00 RII retro controller part # (1095269) is sold separately from the joystick.
 - J - Remote programmers part # (1109091) with dual connectors (3-Pin and 5-Pin) is the only programmer functionable with the new RII joystick part # (1092610).
 - K - Not Shown
 - L - Part number 1095204 is available for individual sale
 - M - Part number 1091980, 1091637, 1091636 and 1095204 are available for individual sale
 - N - Part number 1026572 and 1027280 are available for individual sale
 - O - After 10/3/00

MKIV Swivel Joystick Hardware

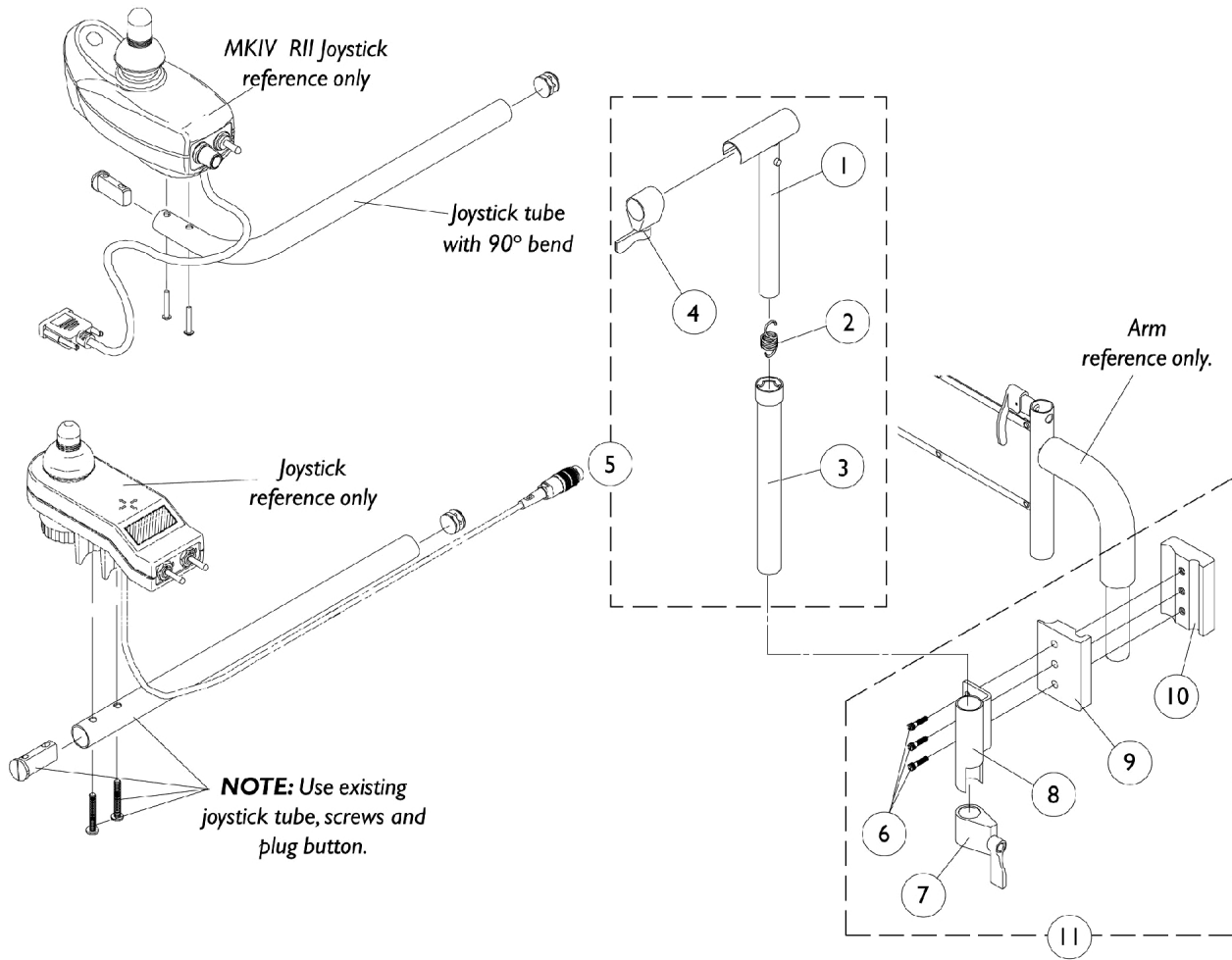


MKIV Swivel Joystick Hardware

Item Number	Note	Part Number	Description	Quantity Per	
				Package	Assembly
1		1093063	Spacer, Joystick Tube, Black	1	1
2		7930327-NLA	NLA - Package, Screw, Phillips Pan Head (#10-32 x 1-1/8")	25	3
3		1049962-NLA	NLA - Bracket, Swivel Joystick, MKIV	1	1
4		1049963-NLA	NLA - Bracket, Swivel Joystick with Hardware	1	1
5		1035986-NLA	NLA - Joystick Swivel Tube with Hardware, Black	1	1
6		1020551-NLA	NLA - Washer, Flat (1/4 x 3/8 x 1/16")	1	1
7		1005844-NLA	NLA - Bushing	1	2
8		1002511-NLA	NLA - Spring, Hitch Bracket	1	1
9		1023670-NLA	NLA - Knob, Clamping, Grey	1	1
10		1035990-NLA	NLA - Tube, Swivel Joystick, Black	1	1
11		1027095	Plug Button, Black (7/8")	1	1

MKIV Mid-Line Swing Bracket Assembly

NOTE: Joystick tube with 90 degree bend replaces the standard tube when a RII Joystick (part number 1092610) is used. Joystick Tube with 90 degree bend must be ordered as a special when a replacement is needed.



MKIV Mid-Line Swing Bracket Assembly

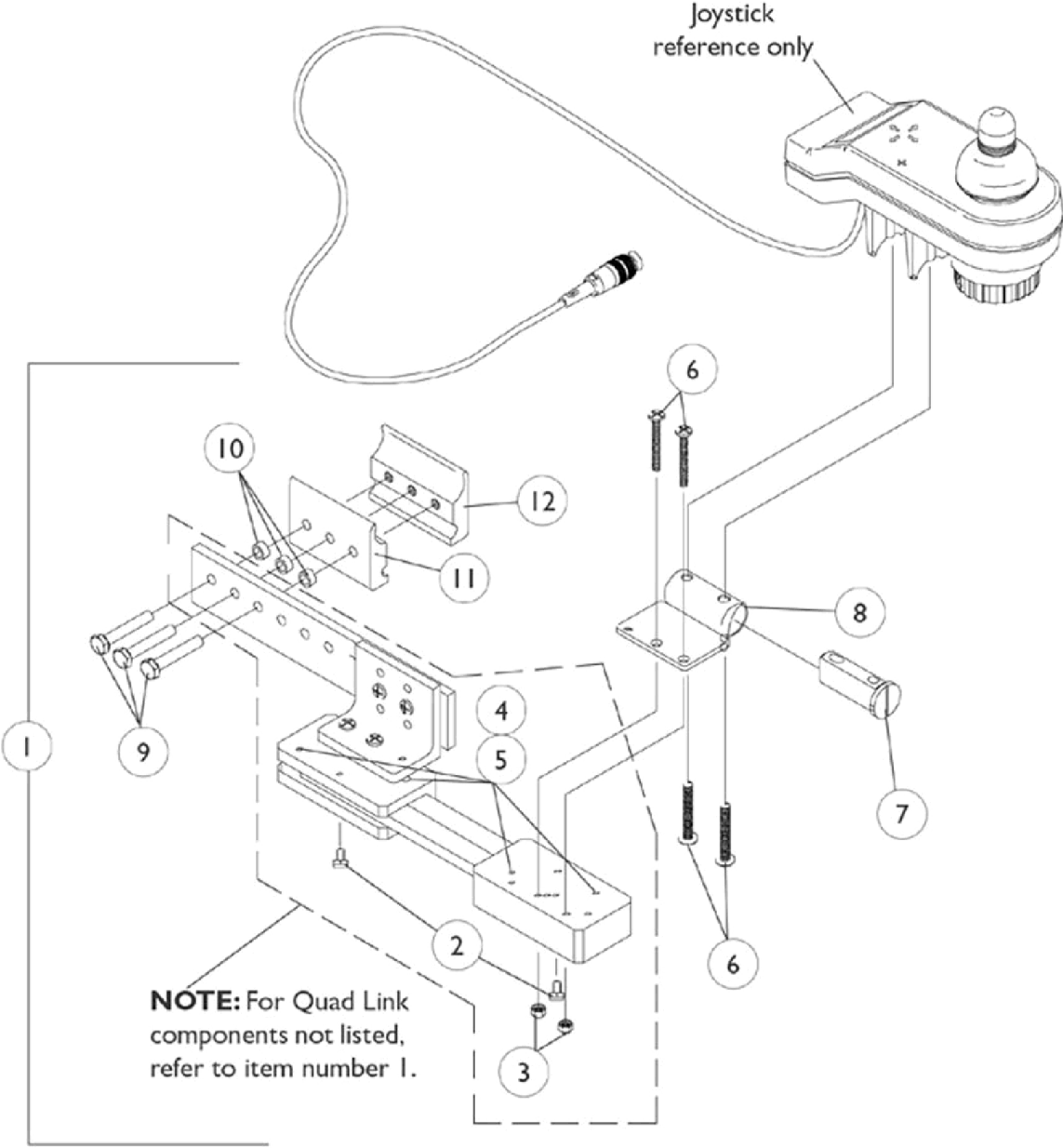
NOTE: Joystick tube with 90 degree bend replaces the standard tube when a RII Joystick (part number 1092610) is used. Joystick Tube with 90 degree bend must be ordered as a special when a replacement is needed.

Item Number	Note	Part Number	Description	Quantity Per	
				Package	Assembly
1		1035528-NLA	NLA - Tube, Adjustment, Inside, Mid-Line, Black	1	1
2		1016778-NLA	NLA - Spring, Extension (9/16 x 1-3/8" L)	1	1
3		1035860-NLA	NLA - Tube, Adjustment, Outside, Mid-Line, Black	1	1
4		1027274	Adjustment Lock Assemnbly, Black	1	1
5	A	1035852-NLA	NLA - Swing Bracket Assembly, Mid-Line, Black	1	1
6		7930349-NLA	NLA - Screw, Hex Head (1/4-20 x 1-1/8")	25	3
7		1027274	Adjustment Lock Assemnbly, Black	1	1
8		1049582-NLA	NLA - Bracket, Joystick Mounting, Black	1	1
9		1027266	Half Clamp, Non-Threaded Holes	1	1
10		1027267-NLA	NLA - Half Clamp, Threaded Holes	1	1
11	B	1049591-NLA	NLA - Hardware, Joystick Tube Mounting	1	1

NOTE: A - Includes items 1-4
B - Includes items 6-10

Quad Link Assembly

Before 4/07/06



Quad Link Assembly Before 4/07/06

Item Number	Note	Part Number	Description	Quantity Per	
				Package	Assembly
1	A	1052402-NLA	NLA - Kit, Quad Link Assembly - Right	1	1
2			NLA - Ball Plunger Assembly with Lock Washer	2	1
3			Locknut (#10-32)	1	2
4			NLA - Screw, Cap, Socket Head (#10-32 x 1/2")	1	4
5			NLA - Bushing, Bronze (3/16 x 1/4 x 1/4")	1	4
6			Screw, Phillips Pan Head (#10-32 x 1-1/8")	1	4
7			Spacer, Joystick Tube, Black	1	1
8			NLA - Stud Plate, Quad Link	1	1
9			Screw, Hex Head (1/4-20 x 1-1/2")	1	3
10			NLA - Spacer (1/4 x 3/8 x 3/16")	1	3
11			Half Clamp, Non-Threaded Holes	1	1
12			NLA - Half Clamp, Threaded Holes	1	1
1	A	1115372-NLA	NLA - Kit, Quad Link Assembly - Left	1	1
2			NLA - Ball Plunger Assembly with Lock Washer	2	1
3			Locknut (#10-32)	1	2
4			NLA - Screw, Cap, Socket Head (#10-32 x 1/2")	1	4
5			NLA - Bushing, Bronze (3/16 x 1/4 x 1/4")	1	4
6			Screw, Phillips Pan Head (#10-32 x 1-1/8")	1	4
7			Spacer, Joystick Tube, Black	1	1
8			NLA - Stud Plate, Quad Link	1	1
9			Screw, Hex Head (1/4-20 x 1-1/2")	1	3
10			NLA - Spacer (1/4 x 3/8 x 3/16")	1	3
11			Half Clamp, Non-Threaded Holes	1	1
12			NLA - Half Clamp, Threaded Holes	1	1
2		1114863-NLA	NLA - Ball Plunger Assembly with Lock Washer	2	1

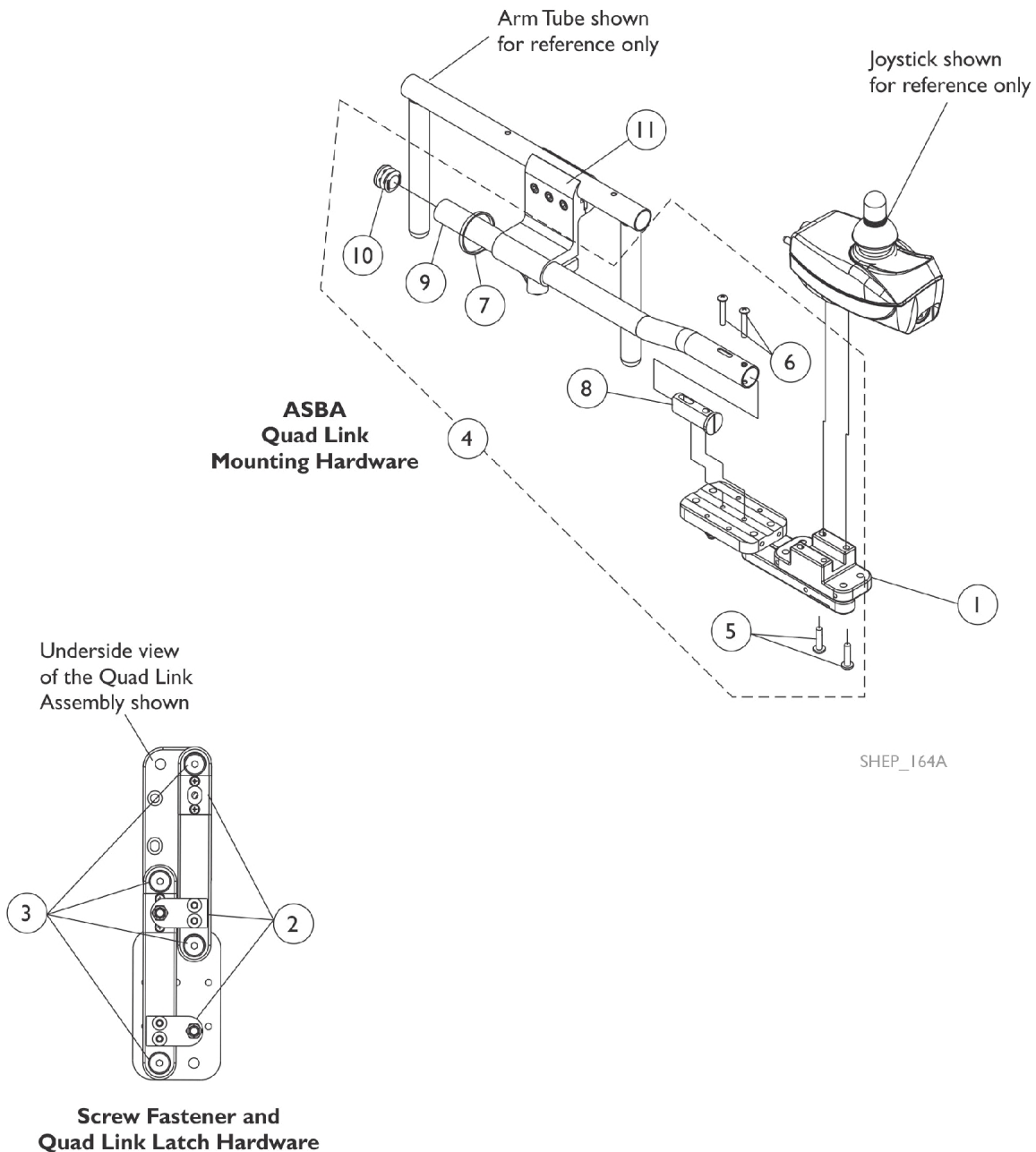
NOTE: A - Includes the Quad Link, items 2-12 and used with a MKIV RII joystick

Quad Link Assembly (QL)

After 4/06/06

When converting an old style Quad Link that attaches to a mounting plate or (a Flex or Touch Pad Joystick Tube) is currently on the chair then order the following for ASBA Seat; Quad Link Mtg. Hdw. (item 4), Quad Link (item 1) & Ht. Adj. Joystick Tube Clamp (item 11)

NOTE: Substitute (item 4) with 2 ea. of the PPH Screws (item 5) when an offset joystick tube is currently on the chair.



Quad Link Assembly (QL)

After 4/06/06

When converting an old style Quad Link that attaches to a mounting plate or (a Flex or Touch Pad Joystick Tube) is currently on the chair then order the following for ASBA Seat; Quad Link Mtg. Hdw. (item 4), Quad Link (item 1) & Ht. Adj. Joystick Tube Clamp (item 11)

NOTE: Substitute (item 4) with 2 ea. of the PPH Screws (item 5) when an offset joystick tube is currently on the chair.

Item Number	Note	Part Number	Description	Quantity Per	
				Package	Assembly
1		1140898	Quad Link (QL) with Instruction Sheet - Right	1	1
1		1140899	Quad Link (QL) with Instruction Sheet - Left	1	1
2	A	1140425	Kit, Quad Link Latch Hardware	1	1
3	B	1140424-NLA	NLA - Kit, Quad Link Screw Fastener Hardware	1	1
4	C	1142937	Kit, ASBA/ADJASBA Quad Link Mounting Hardware	1	1
5			Screw, Phillips Pan Head w/ Patch (#10-32 x 3/4")	1	2
6			Screw, Phillips Pan Head (#10-32 x 1-1/8")	1	2
7			Tie Wrap (11-1/2" L)	1	1
8			Spacer, Joystick Tube, Black	1	1
9			Tube, Joystick Offset (2")	1	1
10			Plug Button, Black (7/8")	1	1
5		1105414	Screw, Phillips Pan Head w/ Patch (#10-32 x 3/4")	1	2
11		1093071	Clamp, Fixed Height Joystick Tube	1	1
	D	1134844	Instruction Sheet, Quad Link	1	1
<p>NOTE: A - Latch Kit includes 4 ea. Button Head Cap Screws (10-32 x 3/8"), 2 ea. Latch Spring Assembly, 4 ea. Phillips Flat C'Sunk Head Screws, 2 ea. Spring Catch Plates, 2 ea. Socket Head Set Screws (10-32 x 3/8") B - Screw Fastener Kit includes 4 ea. Socket Head Shoulder Screws (3/8 x 3/8"), 2 ea. Socket Head Cap Screws (1/4-20 x 3/8"), 2 ea. Socket Head Set Screws (1/4-20 x 1/2"), 4 ea. Socket Head Set Screws (10-32 x 1/8") C - Includes items 5-10. The Quad Link Mounting Hardware accommodates MKIV RII, and PSF/PSR joysticks. D - Not Shown</p>					

Miscellaneous Accessories

NOTE: Oxygen Holder is an ON-CHAIR "Specials" option only. Must be ordered originally with the chair.

Item Number	Note	Part Number	Description	Quantity Per	
				Package	Assembly
		TAGTS1034751-NLA	NLA - Strap, Positioning, Seat/Chest w/ Airline Style Buckle (Eyelet to Eyelet Length 46")	1	1
		1004310	Strap, Positioning, Seat/Chest w/ Auto Style Push Button Buckle (Eyelet to Eyelet Length 48")	1	1
		1034744	Strap, Positioning, Seat/Chest w/ Hook and Loop Style Buckle (Eyelet to Eyelet Length 45")	1	1
		40176X010-NLA	NLA - Pump, Tire	1	1
		1063287-NLA	NLA - Extension Handle Assembly, Clutch (Pair)	2	1
		1058844-NLA	NLA - Extension Handle Assembly, Clutch (Single)	1	2
		1058899	Wheel Lock Extension Handle Assembly, Black (6")	1	2
		1058900	Wheel Lock Extension Handle Assembly, Black (8")	1	2
		8881047956-NL A	NLA - Pocket, Carrying, Nylon (14" W Chair)	1	1
		8881047959	Pocket, Carrying, Nylon (16 - 20" W Chair)	1	1
	A	8881047954-NL A	NLA - Pocket, Carrying, Expanded Vinyl (14" W Chair)	1	1
	A	8881047957	Pocket, Carrying, Expanded Vinyl (16 - 20" W Chair)	1	1

NOTE: A - Specify frame color when ordering, see page titled "Frame Finishes, Touch-Up Paints and Upholstery Options."

Power Wheelchair Tool Kit

1



Multimeter with Leads



Grounding Wire



1" Test Leads



Protractor/Angle Locator



Invacare Pen Light



Invacare Tape Measure



Invacare Phillips/Flat Head Screwdriver



MKIV Programmer



Virtual Service Charger Cable

Power Wheelchair Tool Kit

Item Number	Note	Part Number	Description	Quantity Per	
				Package	Assembly
1		1125222-NLA	NLA - Kit, Power Wheelchair Tool Includes: 1 ea. Multimeter with Leads 1 ea. Locator, Protractor/Angle Magnetic Base 1 ea. Instructions, MKIV Programmer 1 ea. Wire, Grounding with Hand Strap and Clip 1 ea. Leads, 1" Test 1 ea. Light, Pen with Invacare Logo 1 ea. Tape Measure, Compact with Invacare Logo 1 ea. Screwdriver, Pen-Size Phillips/Flat Head 1 ea. Cable, Virtual Service Charger/Modem	1	1

Warranty Replacement Parts

Part Number	Description	QTY per Assembly
1123249E-NLA See Note(s) A	WARR RPLMT - Charger, Battery, 8 Amp. 115vac (Off Board) Single Mode Round Plug w/ AC Power Line Cord, CTE Corp.	1
NOTE: A - See "Battery Charger & Harness" Category for more information.		

Invacare Corporation

www.invacare.com



Yes, you can.

One Invacare Way
Elyria, Oh USA
44036-2125
800-333-6900

Technical Support
800-832-4707
Customer Service
800-333-6900

Literature Orders
800-333-6900

© 2022 Invacare Corporation. All rights reserved. Republication, duplication or modification in whole or in part is prohibited without prior written permission from Invacare. Trademarks are identified by [™] and ©. All trademarks are owned by or licensed to Invacare Corporation or its subsidiaries unless otherwise noted. (Revised 08/01/22)

Form No. 95-143