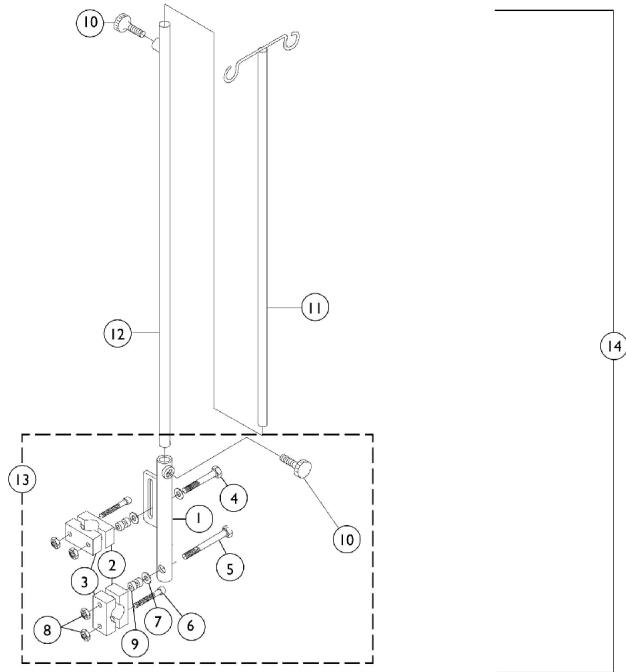


I.V. Pole

THE PRODUCTION OF THE HTR IS CURRENTLY SUSPENDED AND SOME SERVICE PARTS MAY NOT BE AVAILABLE TO ORDER.



I.V. Pole

THE PRODUCTION OF THE HTR IS CURRENTLY SUSPENDED AND SOME SERVICE PARTS MAY NOT BE AVAILABLE TO ORDER.

Item Number	Note	Part Number	Description	Quantity Per	
				Package	Assembly
1	C	460065	Bracket, I.V. Pole, Chrome	1	1
1	D	1129542-NLA	Bracket, I.V. Pole, Grey	1	1
2		1072682-NLA	NLA - Clamp, Tube (1")	1	2
3		0047222-NLA	NLA - Clamp, Tube (1")	1	2
4		1025709-NLA	NLA - Screw, Hex Head (1/4-20 x 2-3/4")	1	1
5		1108125-NLA	NLA - Screw, Hex Head (1/4-20 x 3")	1	1
6		1110576-NLA	NLA - Screw (1/4-20 x 1-3/4")	1	2
7		20105X000-NLA	NLA - Washer, Flat (1/4 x 5/8 x 1/16")	1	3
8		1025736	Locknut (1/4-20)	1	4
9		WA7S-NLA	NLA - Spacer (7/16 x 3/4 x 1/4")	1	4
10		FB883	Knob, Adjustment	1	2
11	C	2121ZT-NLA	NLA - Tube, Top, Chrome	1	1
11	D	1129520-NLA	Tube, Top, Grey	1	1
12	C	2121ZB-NLA	NLA - Tube, Bottom, Chrome	1	1
12	D	1129519-NLA	Tube, Bottom, Grey	1	1
13	B,C	460064	Bracket Assembly, Chrome	1	1
13	B,D	1129600-NLA	Bracket Assembly, Grey	1	1
14	C	1072293	I.V. Pole Assembly, Adjustable, Chrome	1	1
14	D	1129605-NLA	I.V. Pole Assembly, Adjustable, Grey	1	1
	A,E	1072308-NLA	NLA - Instruction Sheet	1	1

NOTE: A - Not Shown.
 B - Includes items 2-10.
 C - Before 1/24/05. For use on chairs with "Chrome Frame Finish."
 D - After 1/23/05. For use on chairs with "Grey Frame Finish."
 E - Item is no longer available from the Invacare Service Parts Department. Refer to the Invacare Website under "Product Literature Search". Enter the part number in the "Keywords" field and download a free PDF version copy.