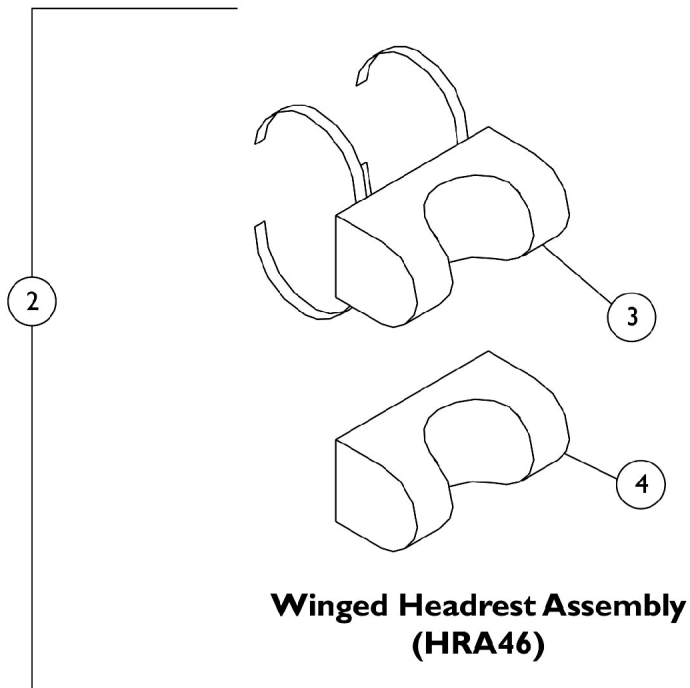
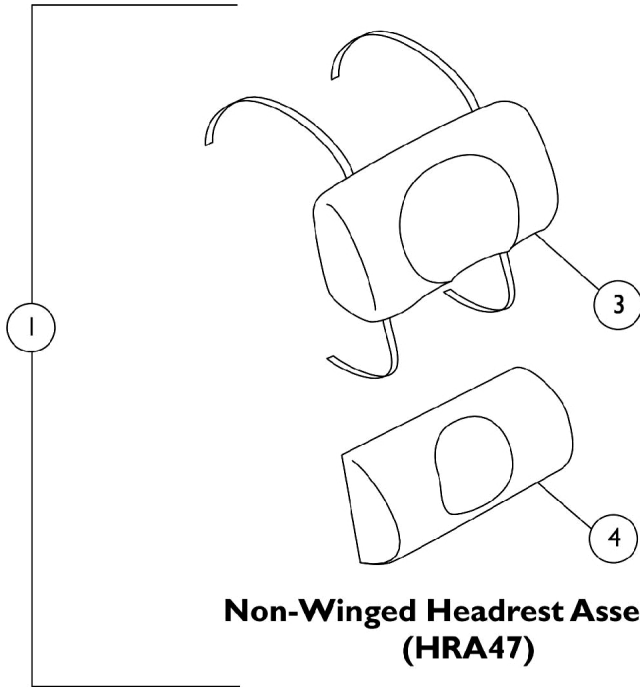


Headrest

Non-Winged and Winged

NOTE: Model HRA47 Contoured Headrests are the Non-Winged Headrest shown. Model HRA46 Headrests are the Winged Headrest shown. THE PRODUCTION OF THE HTR IS CURRENTLY SUSPENDED AND SOME SERVICE PARTS MAY NOT BE AVAILABLE TO ORDER.



Headrest

Non-Winged and Winged

NOTE: Model HRA47 Contoured Headrests are the Non-Winged Headrest shown. Model HRA46 Headrests are the Winged Headrest shown. THE PRODUCTION OF THE HTR IS CURRENTLY SUSPENDED AND SOME SERVICE PARTS MAY NOT BE AVAILABLE TO ORDER.

Item Number	Note	Part Number	Description	Quantity Per	
				Package	Assembly
1	A,B	450095-25-NLA	NLA - Headrest Assembly, Non-Winged, Mauve (18")	1	1
1	A,B	450095-26-NLA	NLA - Headrest Assembly, Non-Winged, Grotto (18")	1	1
1	A,B	450095-27-NLA	NLA - Headrest Assembly, Non-Winged, Blueberry (18")	1	1
1	A	450094-25	Headrest Assembly, Non-Winged, Mauve (16 or 18")	1	1
1	A	450094-26-NLA	Headrest Assembly, Non-Winged, Grotto (16 or 18")	1	1
1	A	450094-27-NLA	NLA - Headrest Assembly, Non-Winged , Blueberry (16 or 18")	1	1
2	A	450127-25	Headrest Assembly, Winged, Mauve (16 or 18")	1	1
2	A	450127-26-NLA	Headrest Assembly, Winged, Grotto (16 or 18")	1	1
2	A	450127-27-NLA	NLA - Headrest Assembly, Winged, Blueberry (16 or 18")	1	1
3	C	450097-25-NLA	NLA - Cover, Zippered Headrest, Non-Winged, Mauve (18")	1	1
3	C	450097-26-NLA	NLA - Cover, Zippered Headrest, Non-Winged, Grotto (18")	1	1
3	C	450097-27-NLA	NLA - Cover, Zippered Headrest, Non-Winged, Blueberry (18")	1	1
3		450096-25-NLA	NLA - Cover, Zippered Headrest, Non-Winged, Mauve (16 or 18")	1	1
3		450096-26-NLA	NLA - Cover, Zippered Headrest, Grotto, Non-Winged (16 or 18")	1	1
3		450096-27-NLA	NLA - Cover, Zippered Headrest, Blueberry, Non-Winged (16 or 18")	1	1
3		450114-25-NLA	NLA - Cover, Zippered Headrest, Mauve, Winged (16 or 18")	1	1
3		450114-26-NLA	NLA - Cover, Zippered Headrest, Winged, Grotto (16 or 18")	1	1
3		450114-27-NLA	NLA - Cover, Zippered Headrest, Blueberry, Winged (16 or 18")	1	1
4		TR5250-NLA	NLA - Insert, Foam, Non-Winged (16")	1	1
4		TR5275-NLA	NLA - Insert, Foam, Non-Winged (18")	1	1
4		HRA14A-NLA	NLA - Insert, Foam, Winged (16" or 18")	1	1

NOTE: A - Headrest Assembly includes items 3 and 4
 B - Item 1 part # 450095-25, 450095-26, 450095-27 are NLA. Refer to item 1 part # 450094 and select your color choice, -25, -26 or -27.
 C - Item 3 part # 450097-25, 450097-26, 450097-27 are NLA. Refer to item 3 part # 450096 and select your color choice, -25, -26 or -27.