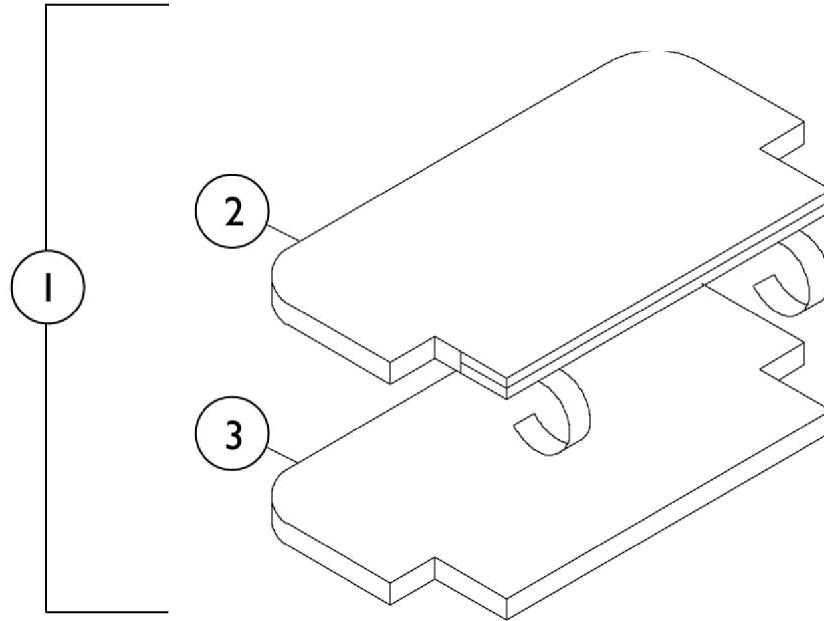


# Footboard Pad Assembly

THE PRODUCTION OF THE HTR IS CURRENTLY SUSPENDED AND SOME SERVICE PARTS MAY NOT BE AVAILABLE TO ORDER.



Item Number	Note	Part Number	Description	Quantity Per	
				Package	Assembly
1		450121	Pad Assembly, Footboard (16")	1	1
1		450122-NLA	NLA - Pad Assembly, Footboard (18")	1	1
2		450125-NLA	NLA - Cover, Footboard Pad (16")	1	1
2		450126-NLA	NLA - Cover, Footboard Pad (18")	1	1
3		450123-NLA	NLA - Foam, Footboard Pad (16")	1	1
3		450124-NLA	NLA - Foam, Footboard Pad (18")	1	1