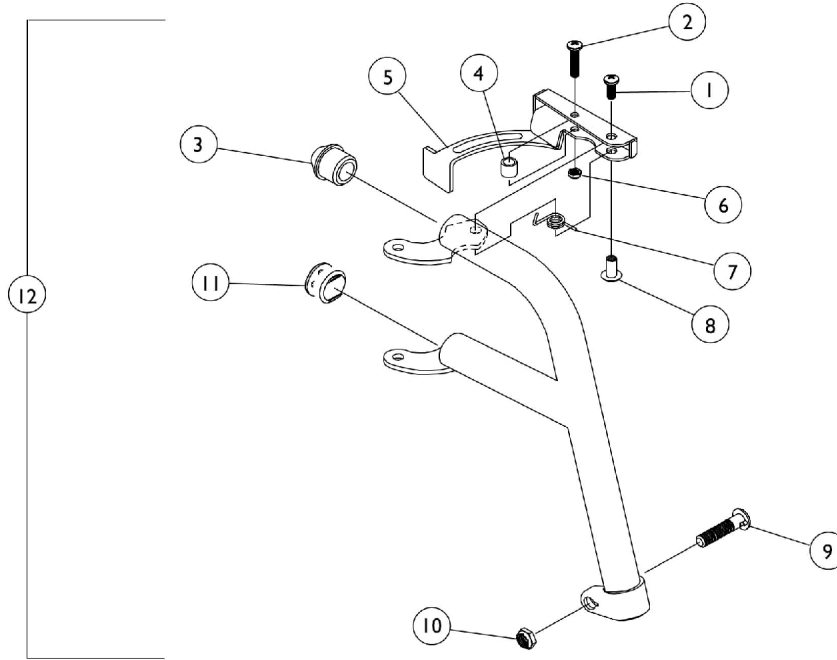


Footrest Support Assembly

THE PRODUCTION OF THE HTR IS CURRENTLY SUSPENDED AND SOME SERVICE PARTS MAY NOT BE AVAILABLE TO ORDER.



Item Number	Note	Part Number	Description	Quantity Per	
				Package	Assembly
1		7930359-NLA	NLA - Package, Screw, Phillips Pan Head (#10-32 x 1/2")	25	1
2		7930360-NLA	NLA - Package, Screw, Phillips Pan Head (#10-32 x 11/16")	25	1
3		1020719	Anti-Rattle, Black	1	1
4		47565X057	Bushing (7/32 x 3/8 x 11/32")	1	1
5		1035539	Handle, Release, Black - Right	1	1
5		1035540	Handle, Release, Black - Left	1	1
6		7930365-NLA	NLA - Locknut (#10-32)	25	1
7		1008935	Spring, Release - Right	1	1
7		1008936	Spring, Release - Left	1	1
8		67005X000	Rivnut (#10-32)	1	1
9		11232X009	Bolt, Lug (5/16-24 x 1-3/8")	1	1
10		7930363-NLA	NLA - Package, Locknut (5/16"-24)	25	1
11		1027095	Plug Button, Black (7/8")	1	1
12		1030708	Footrest Support Assembly, Adult, Silver Vein - Right	1	1
12		1030709	Footrest Support Assembly, Adult, Silver Vein - Left	1	1