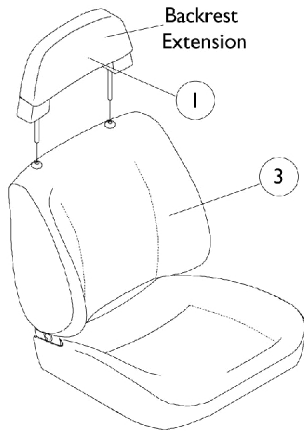
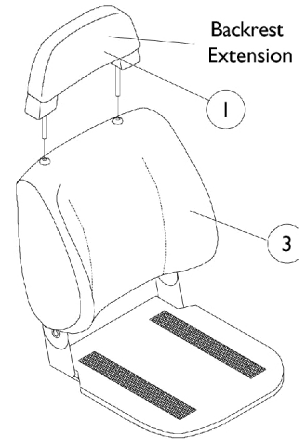


Captain Seat Assembly - Before 9/1/02

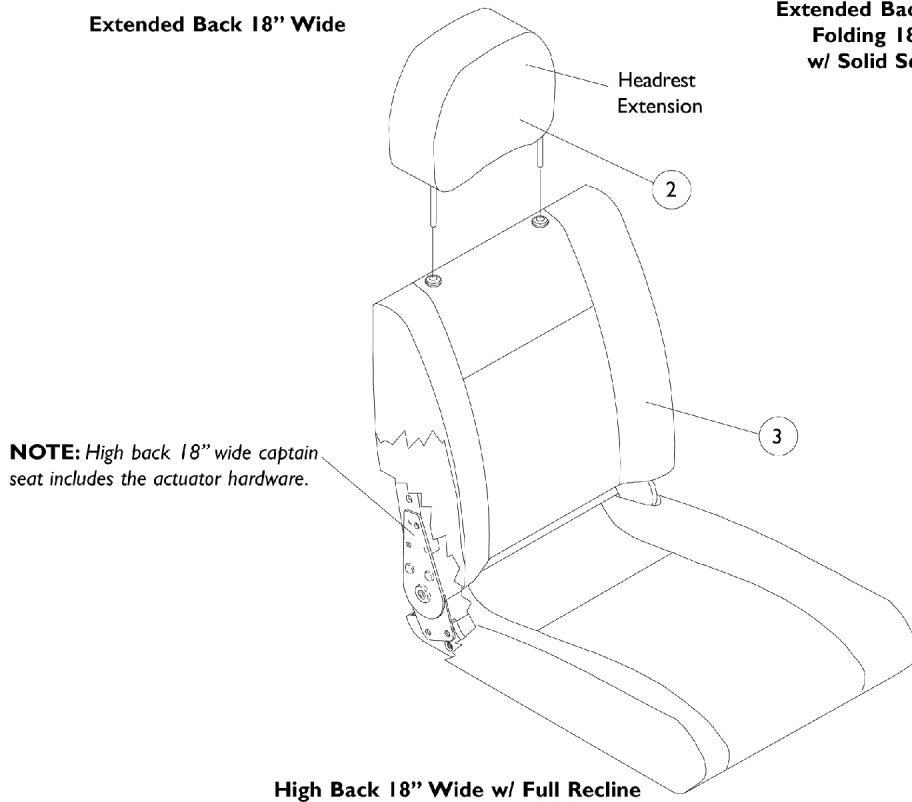
NOTE: Low Back (L.B.) Captain Seat description changed to Extended Back (E.B.) Captain Seat as of 10/02/00. Captain Seats incorporate an assisted recline of approximately 80 - 114 degrees for extended backs and 90 - 170 degrees for high back 18" wide models.



Extended Back 18" Wide



Extended Back, Forward Folding 18" Wide w/ Solid Seat Base



High Back 18" Wide w/ Full Recline

Captain Seat Assembly - Before 9/1/02

NOTE: Low Back (L.B.) Captain Seat description changed to Extended Back (E.B.) Captain Seat as of 10/02/00. Captain Seats incorporate an assisted recline of approximately 80 - 114 degrees for extended backs and 90 - 170 degrees for high back 18" wide models.

Item #1 - Extended Back Backrest

| Extended Back Backrest (E.B.) | Grey Fabric/Vinyl | All Grey Vinyl | Brunswick Buff All Tan Vinyl |
|--|------------------------------|------------------------------|------------------------------|
| E.B. Before 3/25/98 | 1071578-NLA See Note(s) A | N/A | N/A |
| E.B. 3/25/98 - 8/3/99 and Forward Folding Before 5/12/00 | 1078997-NLA See Note(s) B | N/A | N/A |
| E.B. After 8/3/99 and Forward Folding After 5/11/00 | 1090374-NLA See Note(s) C | N/A | N/A |
| E.B. Before 7/22/99 | N/A | 1081285-NLA See Note(s) B | 1086109-NLA See Note(s) B |
| E.B. After 7/21/99 | N/A | 1090375-NLA See Note(s) C | 1090376-NLA See Note(s) C |
| NOTE: A - 9-29/64" Backrest Post Spacing. B - 9" Backrest Post Spacing. C - 4-3/4" Backrest/Headrest Post Spacing. | | | |

Item #2 - High Back Headrest

| Headrest | Grey Fabric/Vinyl | All Grey Vinyl | Brunswick Buff All Tan Vinyl |
|---|------------------------------|------------------------------|------------------------------|
| Headrest, High Back Before 8/16/99 | 1071576-NLA See Note(s) D | N/A | N/A |
| Headrest, High Back After 8/15/99 | 1090379-NLA See Note(s) C | N/A | N/A |
| Headrest, High Back | N/A | 1090380-NLA See Note(s) C | N/A |
| NOTE: C - 4-3/4" Backrest/Headrest Post Spacing. D - 4-23/32" Headrest Post Spacing. | | | |

Captain Seat Assembly - Before 9/1/02

NOTE: Low Back (L.B.) Captain Seat description changed to Extended Back (E.B.) Captain Seat as of 10/02/00. Captain Seats incorporate an assisted recline of approximately 80 - 114 degrees for extended backs and 90 - 170 degrees for high back 18" wide models.

Item #3 - 18" Wide Extended Back Captain Seat

| Captain Seat - Extended Back | Grey Fabric/Vinyl | All Grey Vinyl | Brunswick Buff All Tan Vinyl |
|---------------------------------------|---------------------------------|---------------------------------|---------------------------------|
| Before 8/4/99 w/Mounting Screws | 1091123-NLA See Note(s) F, E | N/A | N/A |
| After 8/3/99 | 1090371-NLA See Note(s) G, F | N/A | N/A |
| Before 7/22/99 | N/A | 1081284-NLA See Note(s) F | 1086108-NLA See Note(s) F |
| After 7/21/99 | N/A | 1090372-NLA See Note(s) F, G | 1090373-NLA See Note(s) G, F |
| and Forward Folding Before 5/12/00 | 1085104-NLA See Note(s) F | N/A | N/A |
| and Forward Folding After 5/11/00 | 1090370-NLA See Note(s) G, F | N/A | N/A |

NOTE: E - After 8/3/99 #1079236 extended back captain seat with mounting screws was replaced by #1091123 due to change in the backrest post spacing. New bracket head rest #1090374 must be ordered as well to match.
 F - For Captain Seats marked NLA, use Captain Seats dated after 8/31/02 as replacements.
 G - Backrest/Headrest post spacing changed. When replacing seat assemblies made before the date specified, a new style backrest or headrest must be ordered as well to match.

NOTE: When converting between high back and extended back captain seats, the wiring harness will also need to be converted. See page titled "Battery Charger and Harnesses".

Item #3 - 18" Wide High Back Captain Seat

| Captain Seat - High Back | Grey Fabric/Vinyl | All Grey Vinyl | Brunswick Buff All Tan Vinyl |
|--------------------------------------|------------------------------------|------------------------------|---------------------------------|
| 18" Wide High Back Before 8/16/99 | 1070456-NLA See Note(s) H, F | N/A | N/A |
| 18" Wide High Back After 8/15/99 | 1091068-NLA See Note(s) G, H, F | N/A | N/A |
| 18" Wide High Back | N/A | 1091069-NLA See Note(s) F | N/A |

NOTE: F - For Captain Seats marked NLA, use Captain Seats dated after 8/31/02 as replacements.
 G - Backrest/Headrest post spacing changed. When replacing seat assemblies made before the date specified, a new style backrest or headrest must be ordered as well to match.
 H - High back 18" wide captain seats includes all actuator attaching hardware (LESS) the limit switch sensor harness #1074983. See page titled "Captain Seat Frame and Actuator Hardware".

NOTE: When converting between high back and extended back captain seats, the wiring harness will also need to be converted. See page titled "Battery Charger and Harnesses".