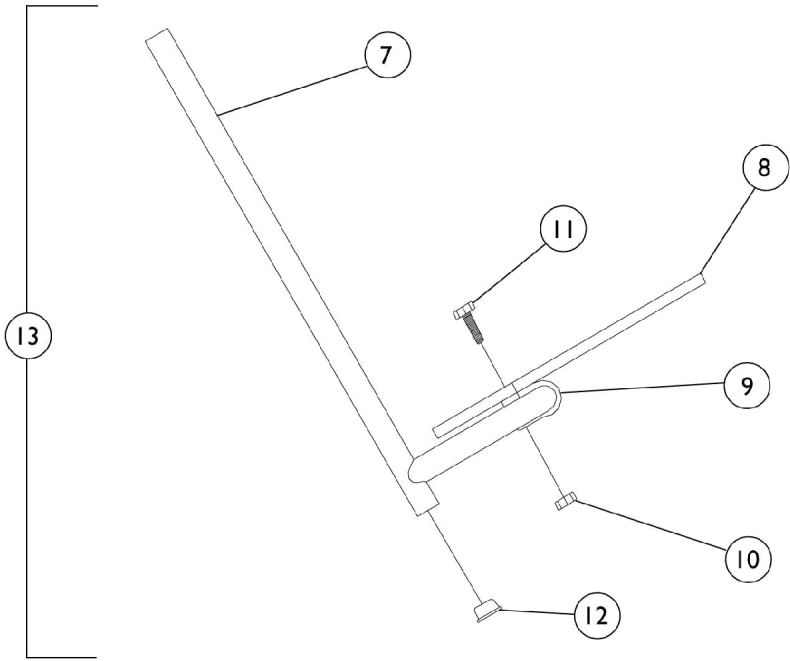
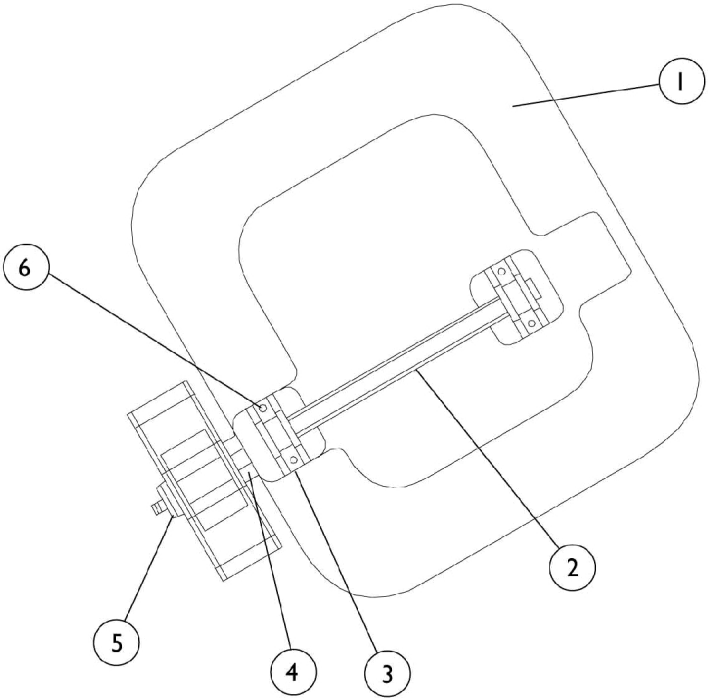


# Legrest Calf Pad Assembly & Pivot Slide Tube with Footplate

THE PRODUCTION OF THE HTR IS CURRENTLY SUSPENDED AND SOME SERVICE PARTS MAY NOT BE AVAILABLE TO ORDER.



# Legrest Calf Pad Assembly & Pivot Slide Tube with Footplate

THE PRODUCTION OF THE HTR IS CURRENTLY SUSPENDED AND SOME SERVICE PARTS MAY NOT BE AVAILABLE TO ORDER.

Item Number	Note	Part Number	Description	Quantity Per	
				Package	Assembly
1		420166	Kit, Calf Pad 16" - Right and Left SmartLeg	1	1
			Pad, Calf SmartLeg with Cover - Right (16" W)	1	1
			Pad, Calf SmartLeg with Cover - Left (16" W)	1	1
1		420167	Kit, Calf Pad 18" - Right and Left SmartLeg	1	1
			Pad, Calf SmartLeg with Cover - Right (18" W)	1	1
			Pad, Calf SmartLeg with Cover - Left (18" W)	1	1
1		420172-NLA	NLA - Cover, Calf Pad, Black (16")	1	1
1		420173	Cover, Calf Pad, Black (18")	1	1
2		350044-NLA	NLA - Bar, Calf Pad Mounting	1	1
3		04526X019	Plate, Legrest Pad	1	2
4		1108194-NLA	NLA - Locknut (#10-32)	1	4
5		1108122-NLA	NLA - Locknut (5/16-18)	1	2
6		1108141-NLA	NLA - Screw, Phillips Flat Head (#10-32 x 1")	1	4
7	B	420151-1-NLA	Tube, Pivot/Slide, Chrome - Right	1	1
7	C	1129528-NLA	Tube, Pivot/Slide, Grey - Right	1	1
7	B	420150-1-NLA	Tube, Pivot/Slide, Chrome - Left	1	1
7	C	1129529-NLA	Tube, Pivot/Slide, Grey - Left	1	1
8		420197	Plate, Footrest (16")	1	1
8		420198-NLA	NLA - Plate, Footrest (18")	1	1
9		420193-NLA	NLA - Clamp, Footplate	1	1
10		1025195	Locknut (1/4-20)	1	2
11		1008495	Screw, Socket Button Head (1/4-20 x 1-1/2")	1	2
12		1018133	Plug Button, Black (5/8")	1	1
13	A,B	1072342	Pivot/Slide Tube w/ Footplate, Chrome (16")	2	1
13	A,C	1129618-NLA	NLA - Pivot/Slide Tube w/ Footplate, Grey (16")	2	1
13	A,B	1072343-NLA	NLA - Pivot/Slide Tube w/ Footplate, Chrome (18")	2	1
13	A,C	1129603-NLA	Pivot/Slide Tube w/ Footplate, Grey (18")	2	1

NOTE: A - Includes Items 7-12.  
 B - Before 1/24/05. For use on chairs with "Chrome Frame Finish."  
 C - After 1/23/05. For use on chairs with "Grey Frame Finish."