

Aerosol Therapy



Yes, you can.

Parts Catalog Usage Guide

The information contained in this document is subject to change without notice. This catalog contains service parts for Form No. 93-42. If you have any questions regarding this catalog, please contact one of our Customer Service Representatives.

For Customer Service Support Call:

1-800-333-6900

For Faxed In Orders Call:

1-800-678-4682 or

1-440-366-0709

For Technical Service Call:

1-800-832-4707

Literature Can Be Found at:

www.invacare.com or

1-800-828-6272

SYMBOL DEFINITION

Throughout this catalog you will notice letters to draw your attention to specific footnotes which are located at the bottom of the page or below specified charts.

Examples:

A,B,C etc. = Special Comments

NOTE: = General information pertaining to that specific page

NLA = No Longer Available

HARDWARE MEASUREMENTS

The measurements for the hardware will be listed as follows:

Screws, Bolts Diameter X Thread Count/Pitch X Length

Washers Inside Diameter X Outside Diameter X Thickness

Spacers Inside Diameter X Outside Diameter X Length

For your convenience, we have supplied an area for you to list your Invacare Representatives.

Name	Phone Numbers

© 2022 invacare Corporation, Elyria, Ohio. Invacare, the Medallion Design and Yes, you can. and Passport are registered trademarks of the Invacare Corporation. Envoy and Scout are trademarks of Invacare Corporation. Freeway and Sidestream are registered trademarks of Medic-Aid Limited. Tru PFM Zone is a registered trademark of Monaghan Medical Inc. Information is subject to change without notification.

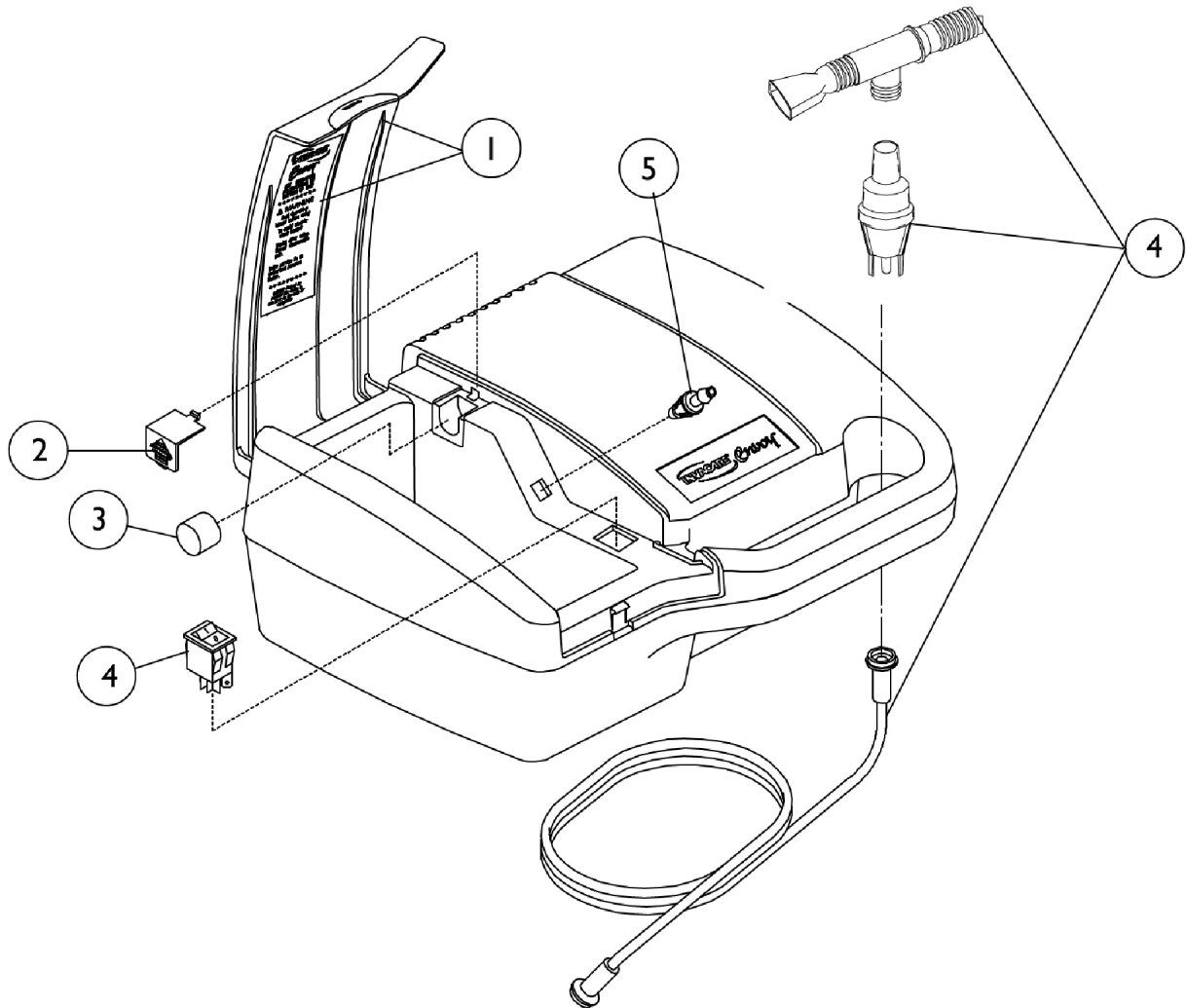
TABLE of CONTENTS

Description	Page Number
01. Aerosol Compressor (IRC1000)	3
02. Aerosol Compressor - Envoy (IRC1192, IRC1192D, IRC1194A, IRC1194B)	5
03. Aerosol Compressor - Envoy Jr. and Envoy Jr. XP (IRC1001)	7
04. Aerosol Compressor - Freeway Freedom (IRC1175)	9
05. Aerosol Compressor - Freeway Lite (IRC1195) (Discontinued 10/02)	11
06. Aerosol Compressor - Passport (IRC1190, IRC9000, IRC1196)	13
07. Aerosol Compressor - Stratos Pro and Compact (IRC1700 and IRC1710)	15
08. Aerosol Compressor - Select (IRC1705)	17
09. Aerosol Compressor - Stratos Portable (IRC1720)	18
10. Aerosol Compressor - Stratos Portable (IRC1730)	20
11. Aspirator (IRC1135, IRC1136)	22
12. Compressor - 50PSI (IRC607)	24
13. Compressor Nebulizer System - Pediatric Bear (IRC 1740)	26
14. Single Nebulizer - Durable Sidestream (MS2400)	27
15. Peak Flow Meter - Tru Zone (IRC1198)	28
16. Ultrasonic Nebulizer - Scout (IRC1199)	30

Aerosol Compressor - Envoy

Model - IRC1000

Model IRC1000 (115V/60Hz)



Aerosol Compressor - Envoy Model - IRC1000

Item Number	Note	Part Number	Description	Quantity Per	
				Package	Assembly
1		2002376-NLA	NLA - Door, Storage Compartment	1	1
2		2002594-NLA	NLA - Cover, Filter	1	1
3	D	650391-NLA	NLA - Filter, Foam Intake	6	1
		1156679-NLA	NLA - Package, Intake Filter	12	1
4	C	MS2100-NLA	NLA - Nebulizer, Disposable Mobil-Mist	50	1
5		2002379-NLA	NLA - Fitting, Air Outlet	1	1
	A	2002380-NLA	NLA - Switch, Power, IRC1192, IRC1192D	1	1
	A	2002593-NLA	NLA - Decal, Instruction - IRC1192/ IRC1192D	1	1
	A	1080803-NLA	NLA - Owner's Manual - English	1	1
	A,B	1079289-NLA	NLA - Kit, Compressor Replacement	1	1
	A	2002930-NLA	NLA - Bumper Feet, Rubber	4	1
	A	1080784-NLA	NLA - Carton	1	1
	A	2002863-NLA	NLA - Insert, Carton	1	1
NOTE: A - Not Shown B - Includes Compressor and Hardware. C - Includes Mouth Piece and 7" Tubing. D - Item no longer available, refer to part #1156679 for replacement.					

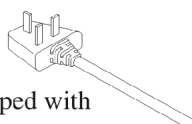
Aerosol Compressor - Envoy

Model - IRC1192, IRC1192D, IRC1194A, IRC1194B

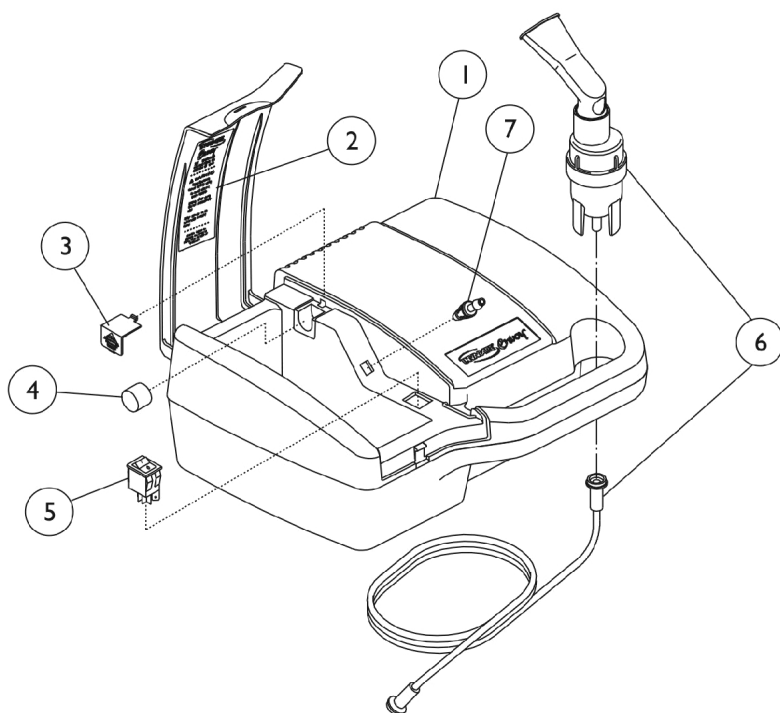
Plug Styles are Shown for Reference Only



IRC1194A equipped with Australian Plug



IRC1194B equipped with British Plug



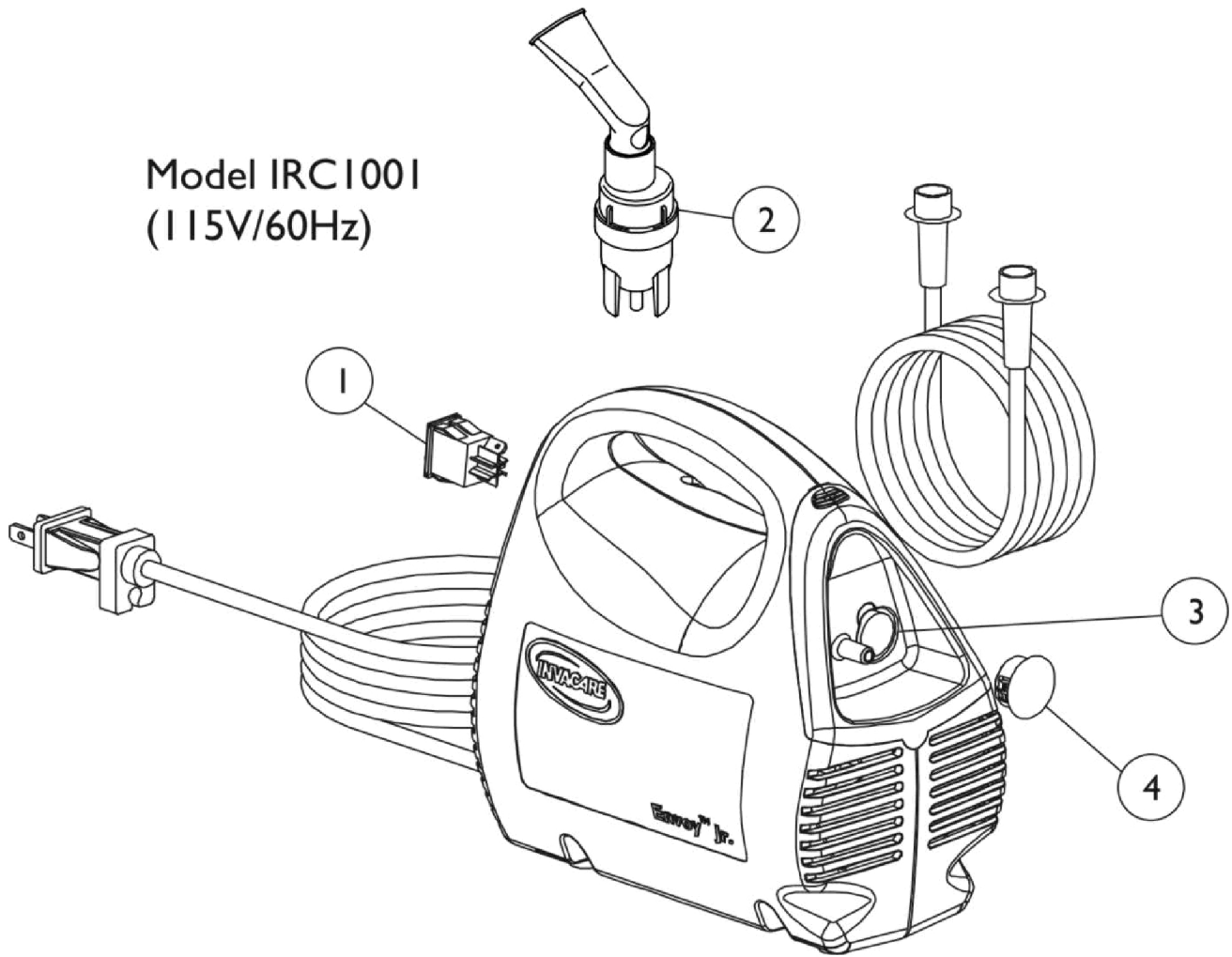
Aerosol Compressor - Envoy

Model - IRC1192, IRC1192D, IRC1194A, IRC1194B

Item Number	Note	Part Number	Description	Quantity Per	
				Package	Assembly
1	J	2002837-NLA	NLA - Envoy Shroud Assembly	1	1
2		2002376-NLA	NLA - Door, Storage Compartment	1	1
3		2002594-NLA	NLA - Cover, Filter	1	1
4		650391-NLA	NLA - Filter, Foam Intake	6	1
		1156679-NLA	NLA - Package, Intake Filter	12	1
5		2002380-NLA	NLA - Switch, Power, IRC1192, IRC1192D	1	1
5		2003025-NLA	NLA - Switch, Power, IRC1194A, IRC1194B	1	1
6	B,G	MS2200-NLA	NLA - Nebulizer, Disposable Sidestream	50	1
	A,B,I	MS2400-NLA	NLA - Nebulizer, Durable Sidestream	10	1
7		2002379-NLA	NLA - Fitting, Air Outlet	1	1
	A	2002593-NLA	NLA - Decal, Instruction - IRC1192/ IRC1192D	1	1
	A	2003031-NLA	NLA - Decal, Instruction - IRC1194A/ IRC1194B	1	1
	A	2002382-NLA	NLA - Owner's Manual - English/Spanish (IRC1192, IRC1192D)	1	1
	A	2003027-NLA	NLA - Owner's Manual - English/Spanish (IRC1194A, IRC1194B)	1	1
	A,H	1079289-NLA	NLA - Kit, Compressor Replacement	1	1
	A	2002930-NLA	NLA - Bumper Feet, Rubber	4	1
	A	2002387-NLA	NLA - Carton	1	1
	A	2002863-NLA	NLA - Insert, Carton	1	1

NOTE: A - Not Shown.
 B - MS2200, MS2400 can be used with either IRC1192, IRC1192A, IRC1192B, or IRC1192D. Standard for IRC1192, IRC1194A and IRC1194B is MS2200, Standard for IRC1192D is MS2400.
 G - Includes Compressor and Hardware.
 H - Includes Mouth Piece and 7 ft. Tubing.
 I - Individual item no longer available, after 10/12/04 replace entire unit.
 J - Item no longer available, refer to part #1156679 for replacement.

Aerosol Compressor - Envoy Jr. and Envoy Jr. XP Model - IRC1001



Aerosol Compressor - Envoy Jr. and Envoy Jr. XP Model - IRC1001

Item Number	Note	Part Number	Description	Quantity Per	
				Package	Assembly
1		2002380-NLA	NLA - Switch, Power, IRC1192, IRC1192D	1	1
2	B,D	MS2200S-NLA	NLA - Nebulizer, Single Sidestream Disposable	1	1
3	C	650391-NLA	NLA - Filter, Foam Intake	6	1
4		1156679-NLA	NLA - Package, Intake Filter	12	1
		1091240-NLA	NLA - Cover, Filter	1	1
	A	1089736-NLA	NLA - Owner's Manual - English, French, and Spanish	1	1
	A	2002930-NLA	NLA - Bumper Feet, Rubber	4	1
	A	1094278-NLA	NLA - Carton	1	1
	A	1105120-NLA	NLA - Case, Carrying	1	1
	A	IRC1002-NLA	NLA - Case, Carrying	1	1
NOTE: A - Not Shown B - Includes Mouth Piece and 6" Flex Tube. C - Item no longer available, refer to part #1156679 for replacement. D - Item no longer available as a single component service part, refer to Model MS2600 on Respiratory price list.					
Name changed to Envoy Jr. XP after 9/15/04 due to product improvement.					

Aerosol Compressor - Freeway Freedom Model - IRC1175

IRC1175 - Discontinued 8/06



Aerosol Compressor - Freeway Freedom Model - IRC1175

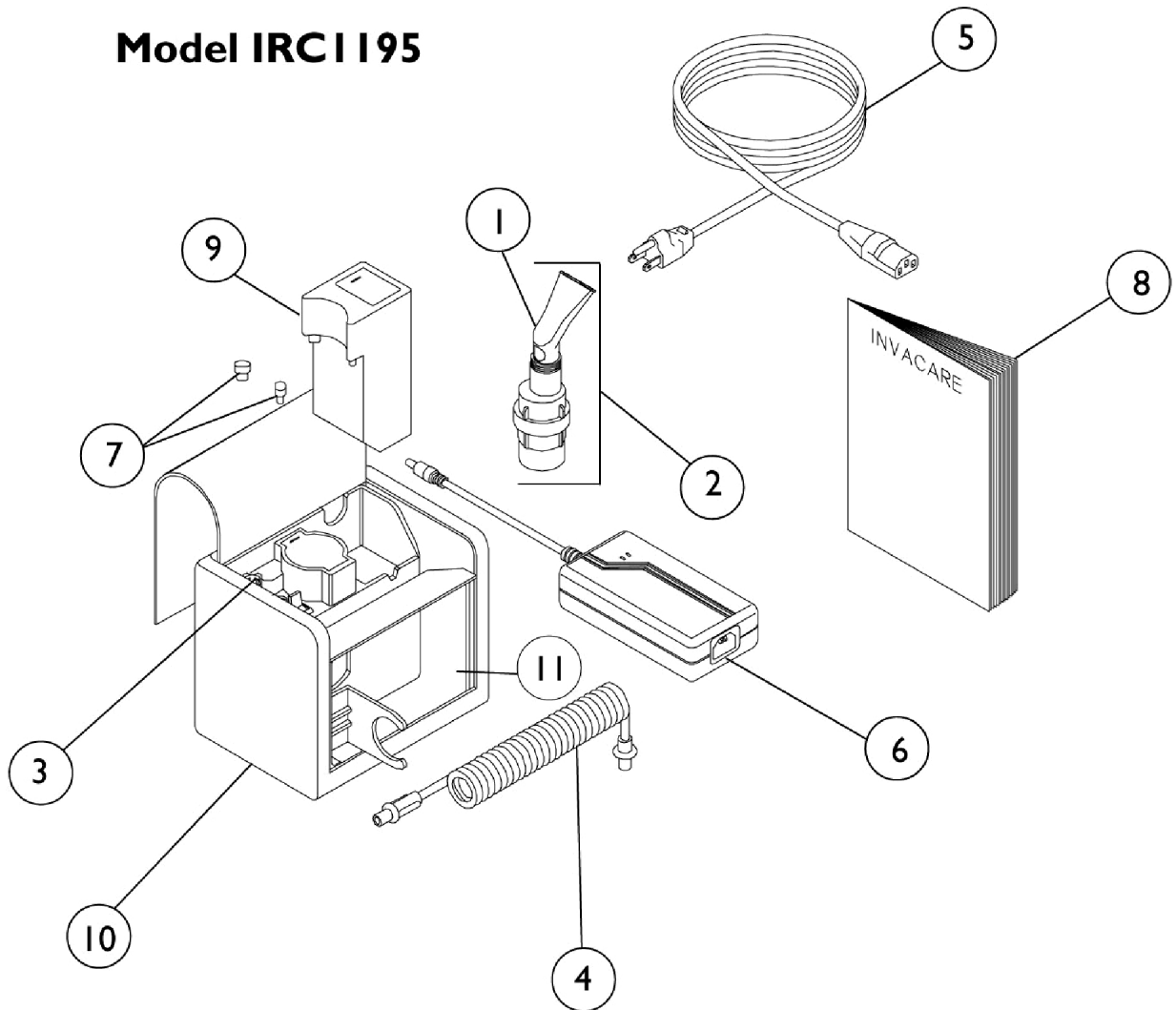
Item Number	Note	Part Number	Description	Quantity Per	
				Package	Assembly
1	A	MS2400-NLA	NLA - Nebulizer, Durable Sidestream	10	1
2		2001829-NLA	NLA - Tubing, Nebulizer Air	1	1
3		1114879-NLA	NLA - Pack, Power, AC/DC	1	1
4		2001831-NLA	NLA - Cord, AC Power, 3 Prong	1	1
5		1114882-NLA	NLA - Adapter, Car, 12V DC Lead	1	1
6		1114883-NLA	NLA - Pack, Battery, Freeway Freedom	1	1
7		1114880-NLA	Kit, Carrying Case	1	1
			Case, Carrying AC/DC	1	1
			Case, Carrying Freeway Freedom	1	1
	B	1114885-NLA	NLA - Filters, Replacement	4	1
	B	1110518-NLA	NLA - Owner's Manual	1	1

NOTE: A - Includes Mouth Piece and 7 ft. Tubing.
B - Not Shown.

Aerosol Compressor - Freeway Lite

Model - IRC1195 (Discontinued 10/02)

Model IRC1195



Aerosol Compressor - Freeway Lite Model - IRC1195 (Discontinued 10/02)

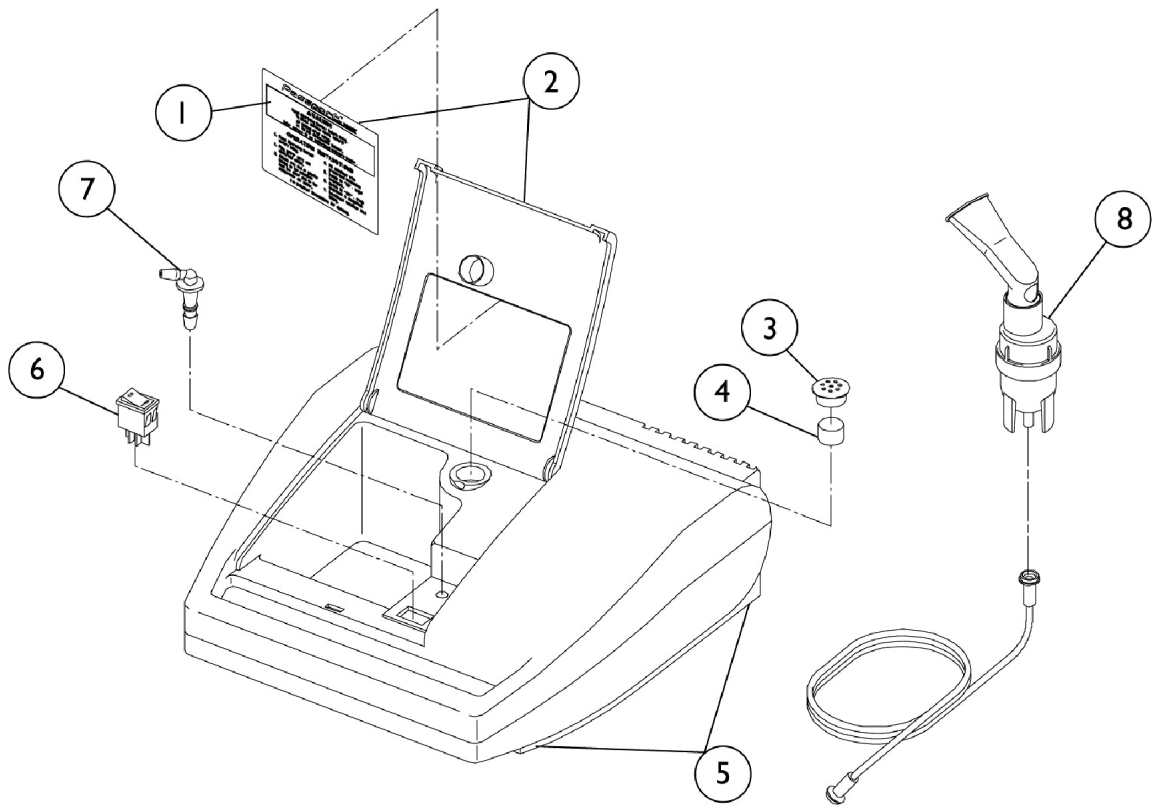
Item Number	Note	Part Number	Description	Quantity Per	
				Package	Assembly
1		2001467-NLA	NLA - Mouth Piece	1	1
2	B	MS2400-NLA	NLA - Nebulizer, Durable Sidestream	10	1
3		2001821-NLA	NLA - Filters, Replacement	4	1
3		2001822-NLA	NLA - Cover, Filter	1	1
4		2001829-NLA	NLA - Tubing, Nebulizer Air	1	1
5		2001831-NLA	NLA - Cord, AC Power, 3 Prong	1	1
6		2001818-NLA	NLA - Pack, Power, AC/DC	1	1
7		2001823-NLA	NLA - Covers, Rubber, Battery Connections	2	2
8		2001828-NLA	NLA - Owner's Manual	1	1
9		2001820-NLA	NLA - Pack, Battery	1	1
10		2002145-NLA	NLA - Case, Carrying with Detachable Bag	1	1
11		2001827-NLA	NLA - Tray, Accessory	1	1
	A	2002146	Kit, Label Set - Freeway	1	1
	A	2001824-NLA	NLA - Lead, 12V DC	1	1

NOTE: A - Not Shown
B - Includes Mouth Piece and 7 ft. Tubing.

Aerosol Compressor - Passport

Model - IRC1190, IRC9000, IRC1196

Model IRC1190 - USA -Discontinued 7/03
Model IRC9000 - USA -Discontinued 6/00
Model IRC1196 - Canadian -Discontinued 7/03



Aerosol Compressor - Passport

Model - IRC1190, IRC9000, IRC1196

Item Number	Note	Part Number	Description	Quantity Per	
				Package	Assembly
1		658589-NLA	NLA - Decal, Storage Compartment	1	1
2		661766S-NLA	NLA - Lid with Decal Assembly, Storage Compartment	1	1
3		638150-NLA	NLA - Cover, Filter	1	1
4	F	650391-NLA	NLA - Filter, Foam Intake	6	1
		1156679-NLA	NLA - Package, Intake Filter	12	1
5		2001580-NLA	NLA - Bumper, Rubber	1	1
6		1043555-NLA	NLA - Switch, Power	1	1
7		2001574-NLA	NLA - Fitting, Air Outlet	1	1
8	A,D	MS2200-NLA	NLA - Nebulizer, Disposable Sidestream	50	1
8	A,E	MS2400-NLA	NLA - Nebulizer, Durable Sidestream	10	1
	B	642034-NLA	NLA - Owner's Manual - English, Spanish and French	1	1
	B	1035805-NLA	NLA - Owner's Manual - Spanish	1	1
	B	642076-NLA	NLA - Owner's Manual - French and English	1	1
	B	2001595-NLA	NLA - Instruction Video Tape, Aerosol	1	1
	B	2002753-NLA	NLA - Kit, Passport Compressor	1	1
			NLA - Connector, Closed End	1	1
			Terminal (3/16 x 1/32)	1	1
			Screw, Phillips Pan Head (8-32 x 5/8")	1	2
			NLA - Spacer (#8 x 9/32")	1	4
			Pad, Foam	1	2
			NLA - Bracket, Mounting	1	2
			NLA - Compressor - Passport	1	1
			NLA - Nut, Keps (#6-32)	1	2
			Instruction Sheet	1	1
	B,C	650395S-NLA	NLA - Kit, Packaging Compressor	1	1

NOTE: A - MS2200, MS2400 can be used with either IRC1190, IRC9000, or IRC1196. Standard for IRC11900 is MS2200, Standard for IRC9000, and for IRC1196 is MS2400.
 B - Not Shown
 C - Includes Carton and Inserts
 D - Includes Mouth Piece, Vent Seal Adapter and 7ft. Tubing.
 E - Includes Mouth Piece and 7 ft. Tubing.
 F - Item no longer available, refer to part #1156679 for replacement.

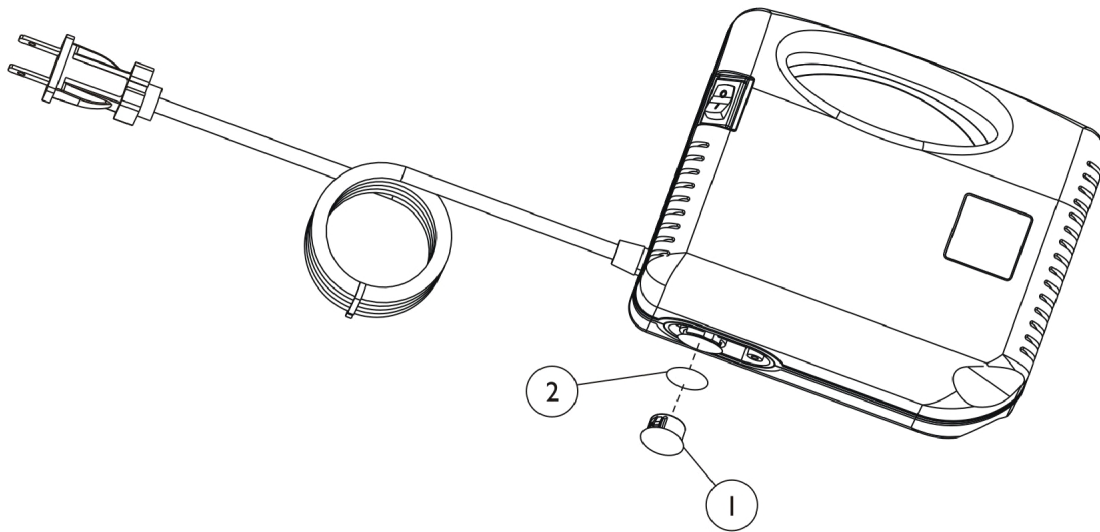
Aerosol Compressor - Stratos Pro and Compact Model - IRC1700 and IRC1710



Aerosol Compressor - Stratos Pro and Compact Model - IRC1700 and IRC1710

Item Number	Note	Part Number	Description	Quantity Per	
				Package	Assembly
1	A	IRC1701-NLA	NLA - Case, Compressor - Pro	1	1
2	B	IRC1711-NLA	NLA - Case, Compressor - Compact	1	1
3	B,E	1133551	Filter, Disk Replacement	5	1
4	A,B,F	1133548	Kit, Filter Replacement	5	1
5	A	1133547-NLA	NLA - Cover, Filter - Pro	1	1
6	C	1133549-NLA	NLA - Bumper, Foot	1	4
7	B	1133554-NLA	NLA - Cover, Filter - Compact	1	1
8	C,H	MS2200S-NLA	NLA - Nebulizer, Single Sidestream Disposable	1	1
	B,D,G	1130203-NLA	NLA - Owner's Manual - Compact	1	1
	A,D	1130204-NLA	NLA - Owner's Manual - Pro	1	1
NOTE: A - Used with IRC1700. B - Used with IRC1710. C - Use with both IRC1700 and IRC1710. D - Not Shown. E - Use with IRC1710 (manufactured Before 12/07). F - Due to filter change, use with IRC1710 (manufactured After 12/07). G - Must be downloaded from website. H - Item no longer available as a single component service part, refer to Model MS2600 on Respiratory price list.					

Aerosol Compressor - Select (IRC1705)



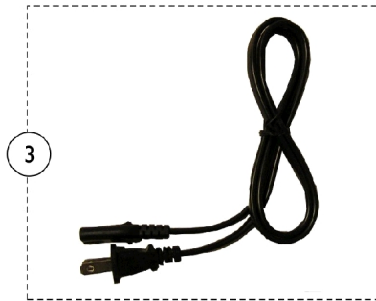
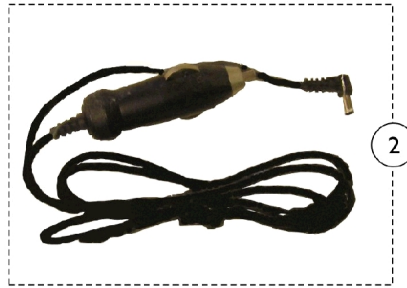
Item Number	Note	Part Number	Description	Quantity Per	
				Package	Assembly
1		1146967	Cover, Filter	1	1
2		1156679-NLA	NLA - Package, Intake Filter	12	1
	A	1148073-NLA	NLA - Owner's Manual, Select Compressor	1	1

NOTE: A - Not Shown.

Aerosol Compressor - Stratos Portable

Model - IRC1720

Compressor
Shown for
Reference Only



Aerosol Compressor - Stratos Portable Model - IRC1720

Item Number	Note	Part Number	Description	Quantity Per	
				Package	Assembly
1		1133559-NLA	NLA - Adaptor, AC/DC Switch - Portable	1	1
2		1133561-NLA	NLA - Adaptor, Car - Portable	1	1
3		1133560-NLA	NLA - Cord, Power AC - Portable	1	1
4	B	IRC1725-NLA	NLA - Kit, Nebulizer - Portable	1	1
	A	1133551	Filter, Disk Replacement	5	1
	A	1133562-NLA	NLA - Cover, Filter	1	1
	A	1133563-NLA	NLA - Cover, Power Input	1	1
	A	IRC1722	Case, Carrying	1	1
	A	1130202-NLA	NLA - Owner's Manual - Portable	1	1
	A	1130218	Instuction Sheet, Portable Battery	1	1
	A	IRC1726	Mask - Pediatric	1	1
	A,C	IRC1726-2-NLA	NLA - Kit, Masks, Pediatric	1	1
			Mask - Pediatric	1	2
	A	IRC1727	Mask - Adult	1	1
	A,C	IRC1727-2-NLA	NLA - Kit, Masks, Adult	1	1
			Mask - Adult	1	2

NOTE: A - Not Shown.
 B - Kit includes Top and Bottom Nebulizer, Nozzle, Expiratory Valve, Inhalation Valve, Holder, Mouth Piece and Tubing.
 C - Kit includes (2) Masks.

Aerosol Compressor - Stratos Portable (IRC1730)



**Stratos Portable Plus
Shown for
Reference Only**

<p>1</p> 	<p>2</p> 	
<p>3</p> 	<p>4</p> 	<p>5</p> 

Aerosol Compressor - Stratos Portable (IRC1730)

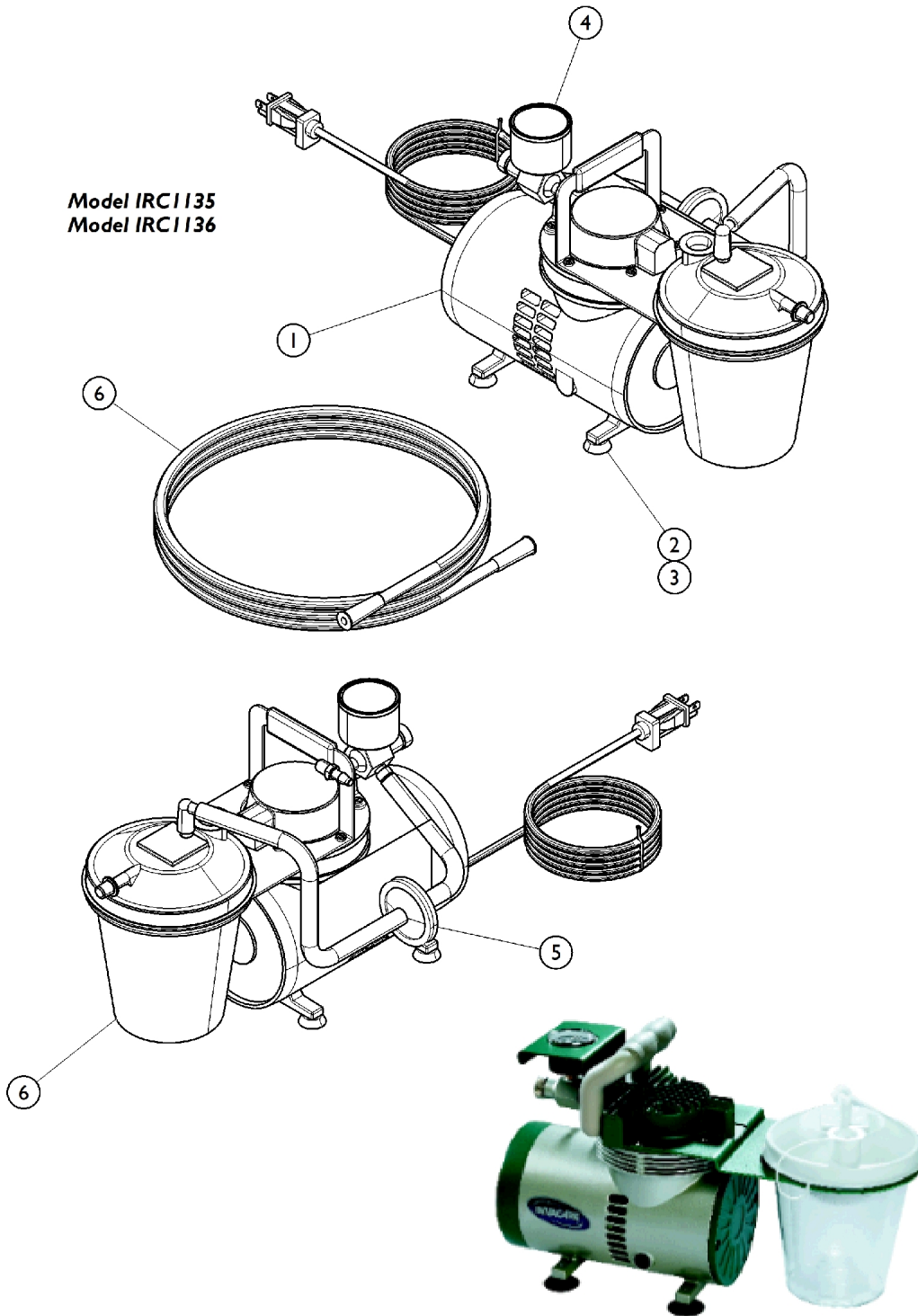
Item Number	Note	Part Number	Description	Quantity Per	
				Package	Assembly
1		1156517-NLA	NLA - Adaptor, AC/DC Switching Portable	1	1
2		1133561-NLA	NLA - Adaptor, Car - Portable	1	1
3		MS2700S-NLA	NLA - Kit, Nebulizer Jet Plus	1	1
4		1156513	Package, Filter Replacement	5	1
5		IRC1722	Case, Carrying	1	1
	A	1133562-NLA	NLA - Cover, Filter	1	1
	A	1150755-NLA	NLA - Owner's Manual - Portable	1	1
	A	1150754-NLA	NLA - Instruction Sheet, Portable Battery	1	1

NOTE: A - Not Shown.

Aspirator

Model - IRC1135, IRC1136

Model IRC1135
Model IRC1136



Aspirator

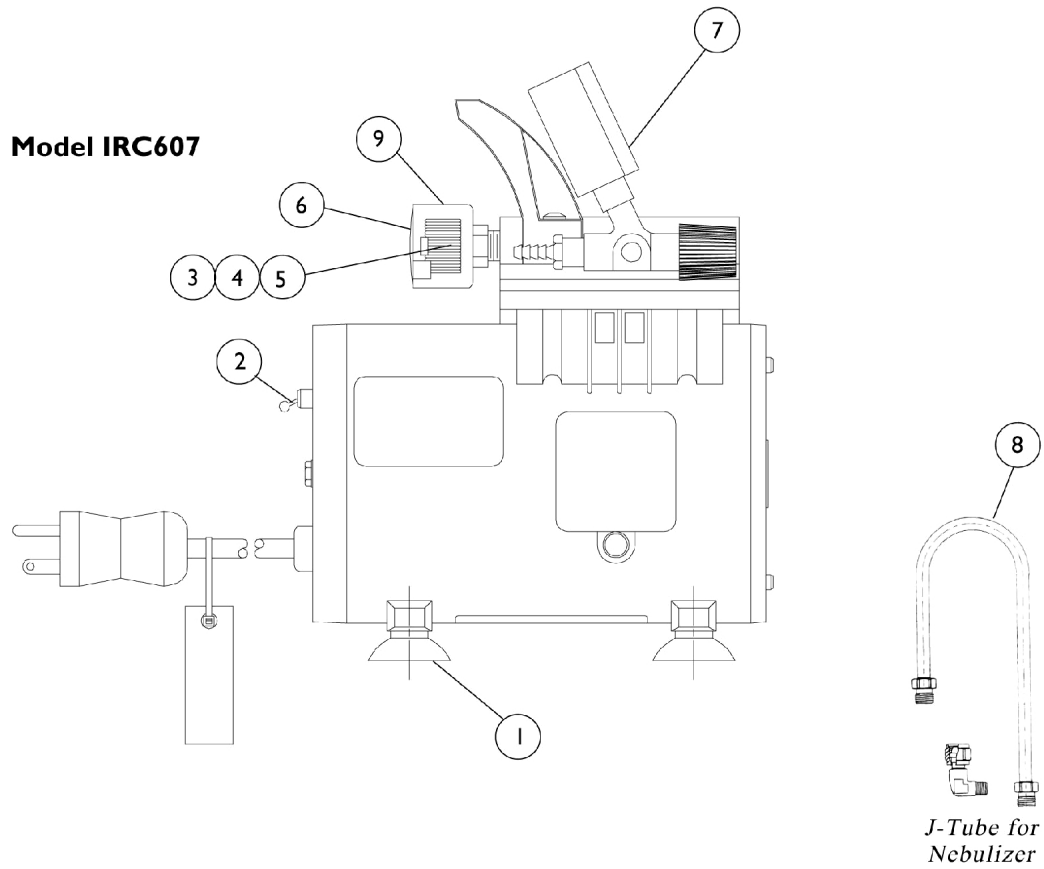
Model - IRC1135, IRC1136

Item Number	Note	Part Number	Description	Quantity Per	
				Package	Assembly
1	E,G	602489-NLA	NLA - Switch, On/Off	1	1
2	E,G	624000	Bumper, Rubber	1	4
3	E,G	625331	NLA - Screw, Bumper	1	4
4	C,E	633210	Gauge, Vacuum	1	1
4	C,D	1154138-NLA	NLA - Gauge, Vacuum	1	1
5	E,B	1071348-NLA	NLA - Tube and Filter Assembly	1	1
5	D,F	1148804-NLA	NLA - Tube and Filter Assembly	1	1
5	D	1150589	Tube and Filter w/ Elbow Assembly	1	1
6		IRC1140	Jar, Collection with 6 Ft. Suction Tubing	10	1
	D	1086904	Adaptor, Elbow	1	1
	A	624861-NLA	NLA - Fitting, Brass (5/16")	1	1
	A	636959-NLA	NLA - Instruction Sheet, Aspirator	1	1
	A	632439	Carton, Aspirator	1	1
	A	1164813	Holder, Fuse, External	1	1

NOTE: A - Not Shown
 B - Includes Tube, Elbow, Filter and Instruction Sheet.
 C - Includes Gauge only. The knob is not offered as a service part.
 D - Used on units built after 7/30/07.
 E - Used on units built before 7/31/07.
 F - To complete this Assembly you must also order (2) Elbow Adapters Part #1086904.
 G - Item numbers 1, 2, and 3 After 7/30/07 are non-serviceable parts.

Compressor - 50PSI

Model - IRC607



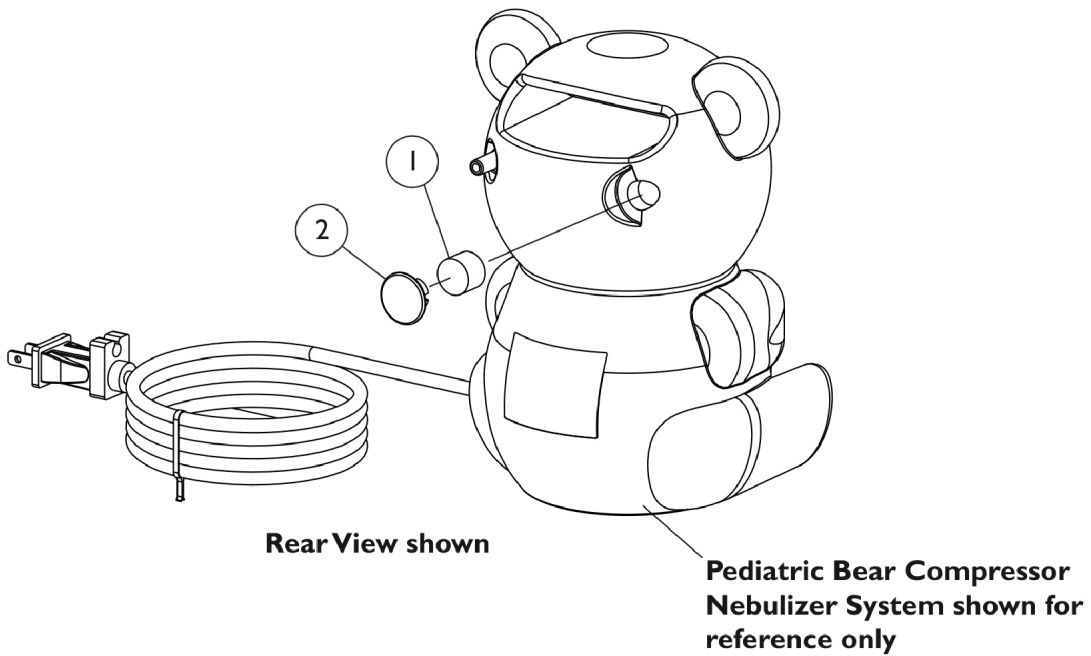
Compressor - 50PSI Model - IRC607

Item Number	Note	Part Number	Description	Quantity Per	
				Package	Assembly
1	C	624266-NLA	NLA - Foot, Suction Cup	1	4
1		624496	Foot, Suction Cup	1	4
2		602136-NLA	NLA - Switch, On/Off	1	1
3		641034-NLA	NLA - Filter, Foam, Grey	1	1
4		641042-NLA	NLA - Filter, Felt	1	1
5		660710-NLA	NLA - Filter Body	1	1
6		660767-NLA	NLA - Cap, Filter Body	9	1
7		638122	Gauge, Pressure	1	1
8		IRC5070	J-Tube with DISS* Connector Assembly, Nebulizer	1	1
9	A	661575	Inlet Filter Assembly	1	1
	B	636960-NLA	NLA - Instruction Sheet, 50 PSI Compressor	1	1
	B	653016	Carton, 50PSI Compressor	1	1

NOTE: A - Includes Items 3-6
 B - Not Shown
 C - Part is no longer serviceable in the field as of 06/30/11. Use 624496 as its replacement.

Compressor Nebulizer System - Pediatric Bear

Model - IRC1740

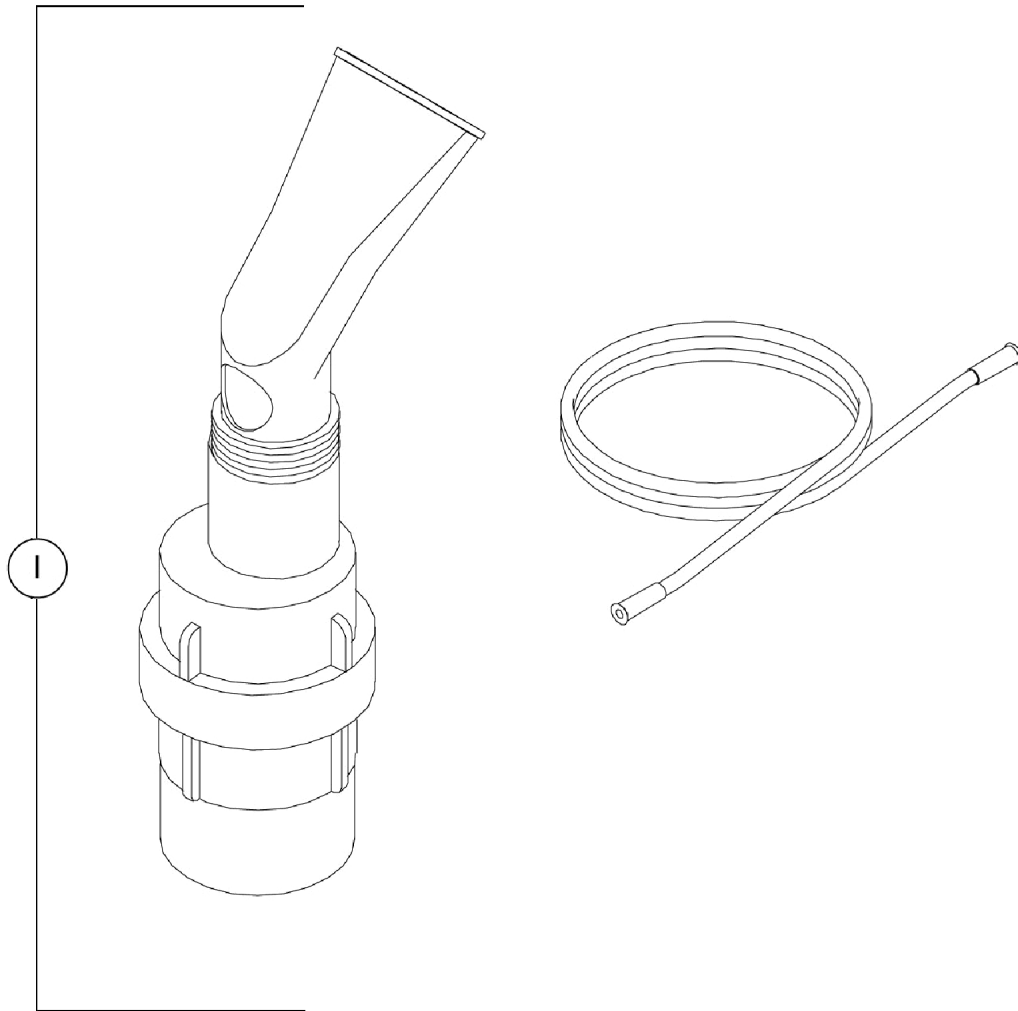


Item Number	Note	Part Number	Description	Quantity Per	
				Package	Assembly
1		1156679-NLA	NLA - Package, Intake Filter	12	1
2		1163788-NLA	NLA - Cover, Intake Filter	1	1

Single Nebulizer - Durable Sidestream

Model - MS2400

Model MS2400
(Case of 10)



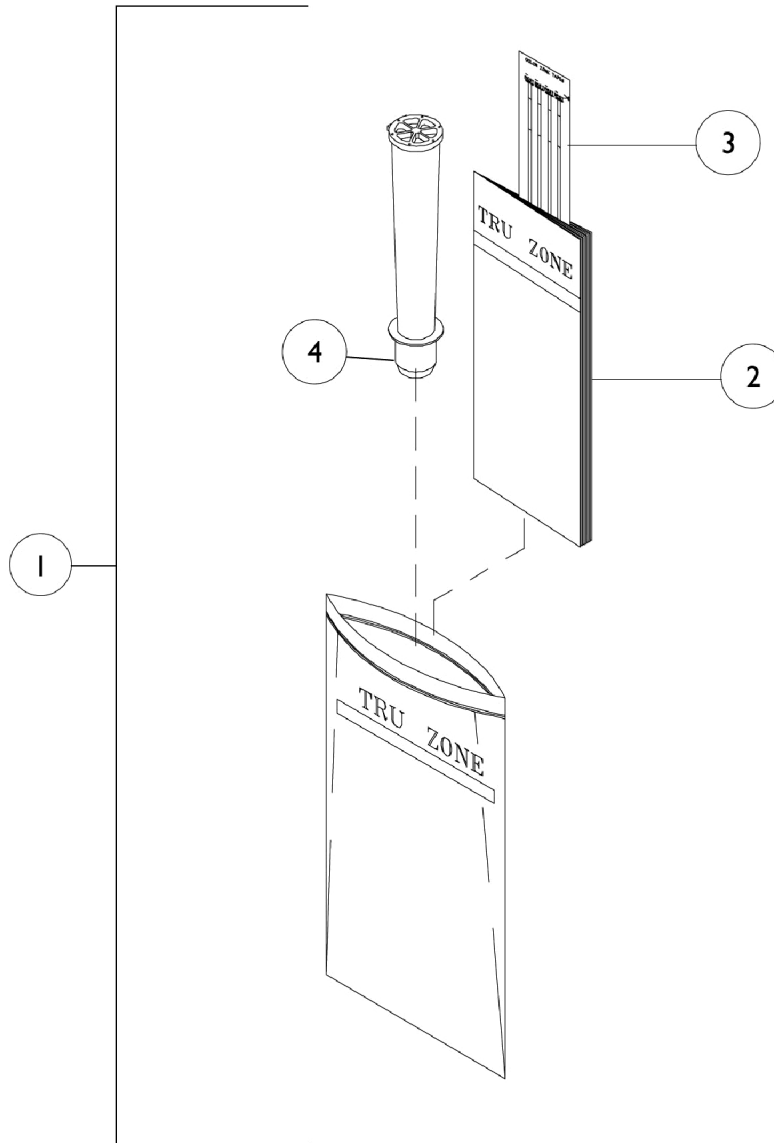
Item Number	Note	Part Number	Description	Quantity Per	
				Package	Assembly
1	A	MS2400-NLA	NLA - Nebulizer, Durable Sidestream	10	1

NOTE: A - Includes Mouth Piece and 7 ft. Tubing.

Peak Flow Meter - Tru Zone

Model - IRC1198

Model IRC1198



Peak Flow Meter - Tru Zone Model - IRC1198

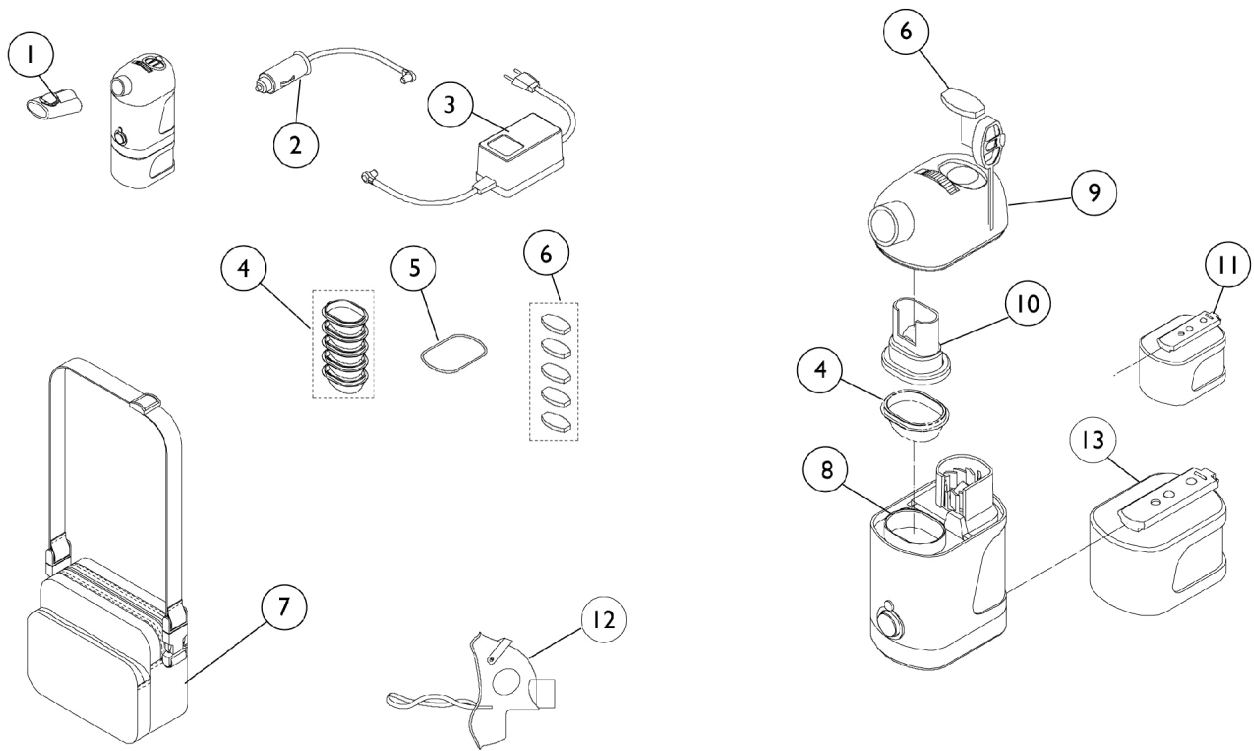
Item Number	Note	Part Number	Description	Quantity Per	
				Package	Assembly
1		IRC1198-NLA	NLA - Meter, Peak Flow	10	1
2		65001-NLA	NLA - Instruction Booklet with Daily Record Log	1	1
3		95018-NLA	NLA - Strips, Zone	1	1
4		65005-NLA	NLA - Mouth Piece	1	1
	A	95030-NLA	NLA - Daily Record Log	25	1

NOTE: A - Not Shown

Ultrasonic Nebulizer - Scout

Model - IRC1199

Discontinued 10/18/00
Model IRC1199



Ultrasonic Nebulizer - Scout Model - IRC1199

Item Number	Note	Part Number	Description	Quantity Per	
				Package	Assembly
1		1075009-NLA	NLA - Mouth Piece with Valve	1	1
2		1075020-NLA	NLA - Cord, Adapter 12V DC	1	1
3		1075012-NLA	NLA - Adapter, Power, AC/DC	1	1
4		IRC1199RMC-N LA	NLA - Medicine Cup Package	30	1
5		1075007-NLA	NLA - Ring, Cover Seal	1	1
6		1075018-NLA	NLA - Kit, Air Filter	5	1
7		1075013-NLA	NLA - Case with Shoulder Strap	1	1
8		1075004-NLA	NLA - Cup Holder, Medicine	1	1
9		1075006-NLA	NLA - Cover, Top with Cover Seal Ring	1	1
10		1075008-NLA	NLA - Baffle	1	1
11		1075011-NLA	NLA - Module, Adapter, AC	1	1
12		1075022-NLA	NLA - Mask - Pediatric	1	1
13		1075272-NLA	NLA - Pack, Battery	1	1
	A	IRC1200-NLA	NLA - Rechargeable Battery and Charger	1	1
	A	1075014-NLA	NLA - Owner's Manual, Ultrasonic Nebulizer	1	1
	A,B	1075019-NLA	NLA - Kit, Fan and Fan Cover Replacement	1	1
NOTE: A - Not Shown B - Before 4/28/00					

Invacare Corporation

www.invacare.com



Yes, you can.

One Invacare Way
Elyria, Oh USA
44036-2125
800-333-6900

Technical Support
800-832-4707
Florida Technical Support
407-321-5630

Customer Service
800-333-6900

© 2022 Invacare Corporation. All rights reserved. Republication, duplication or modification in whole or in part is prohibited without prior written permission from Invacare. Trademarks are identified by ™ and ®. All trademarks are owned by or licensed to Invacare Corporation or its subsidiaries unless otherwise noted. (Revised 06/21/22)

Form No. 93-42