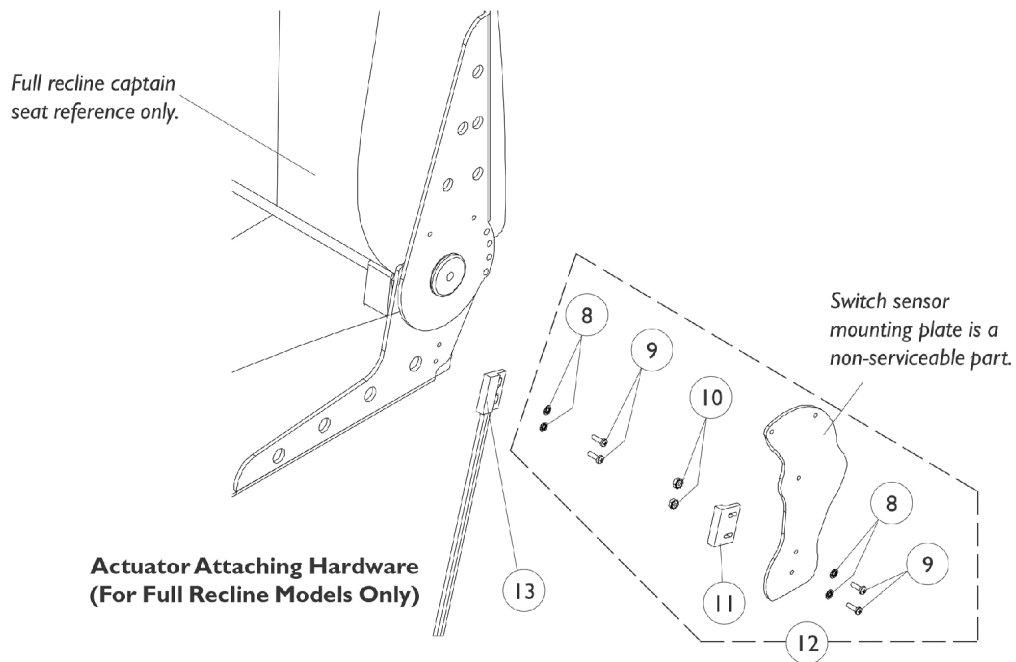
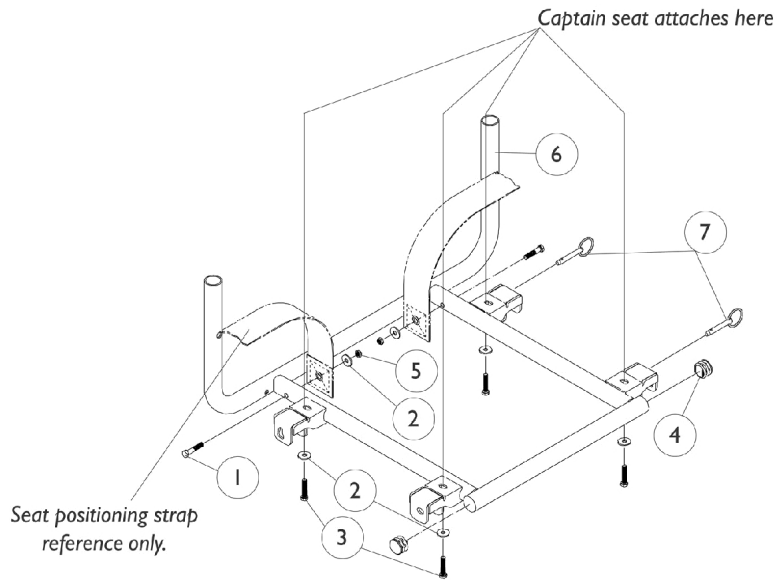


# Captain Seat Frame & Actuator Hardware (After 8/31/02)



## Captain Seat Frame & Actuator Hardware (After 8/31/02)

Item Number	Note	Part Number	Description	Quantity Per	
				Package	Assembly
1		1070751-NLA	NLA - Frame, Seat, Color	1	1
2		1071602-NLA	NLA - Pin, Anchor (Captain Seat)	1	4
3		1029501	Plug Button, Black (1")	1	2
4		1025713-NLA	NLA - Screw, Hex Head (1/4-20 x 1")	1	4
5		1026900	Washer (1/4 x 23/32 x 1/16")	1	6
6		7930333	Locknut (1/4-20)	25	2
7		1037610	Screw, Hex Head (1/4-20 x 1-5/8")	1	2
8		1008525-NLA	NLA - Washer, Internal Tooth Lock (#4-40)	1	4
9		7930339-NLA	NLA - Package, Screw, Phillips Pan Head (#4-40 x 3/8")	25	4
10		P0870X000	Nut, Hex Keps (#4-40)	1	2
11		1024001	Sensor, Actuator Switch	1	1
12	A,B	1107242-NLA	NLA - Hardware, Actuator Switch Sensor Mounting	1	1
13	B	1074983-NLA	NLA - Cable, Limit Switch Sensor	1	1

NOTE: A - Includes Item 8-11.  
B - Item 12 and 13 are not included with a high back seat assembly.