

**MVP® (Before 10/16/01)
Xtra™ (Before 9/1/04)
Jr Style
Wheelchairs**

**For Xtra™ Chairs (After 8/31/04)
See MVP® (After 10/15/01) Parts Catalog**



Yes, you can.

Parts Catalog Usage Guide

The information contained in this document is subject to change without notice. This catalog contains service parts for Form No. 92-50. If you have any questions regarding this catalog, please contact one of our Customer Service Representatives.

For Customer Service Support Call:

1-800-333-6900

For Faxed In Orders Call:

1-800-678-4682 or

1-440-366-0709

For Technical Service Call:

1-800-832-4707

Literature Can Be Found at:

www.invacare.com or

1-800-828-6272

SYMBOL DEFINITION

Throughout this catalog you will notice letters to draw your attention to specific footnotes which are located at the bottom of the page or below specified charts.

Examples:

A,B,C etc. = Special Comments

NOTE: = General information pertaining to that specific page

NLA = No Longer Available

HARDWARE MEASUREMENTS

The measurements for the hardware will be listed as follows:

Screws, Bolts Diameter X Thread Count/Pitch X Length

Washers Inside Diameter X Outside Diameter X Thickness

Spacers Inside Diameter X Outside Diameter X Length

For your convenience, we have supplied an area for you to list your Invacare Representatives.

Name	Phone Numbers

© 2022 Invacare Corporation. Elyria, Ohio. Invacare, Yes, you can., MVP, and the Medallion Design are registered trademarks and Xtra is a trademark of Invacare Corporation. KIK is a registered trademark of KIK Technology, Inc.

TABLE of CONTENTS

Description	Page Number
Accessories - Miscellaneous	146
Amputee Axle Mounting Plates - MVP and Style	89
Amputee Axle Mounting Plates - Xtra and Jr.	87
Arms - Adjustable Height	39
Arms - Fixed Height	37
Arms - Foam Grips (Before 12/92)	35
Arms - Half Arms	42
Arms - Two Point Arm Attaching Hardware	32
Axle & Axle Mounting Plates	59
Canes - Back	21
Casters - Front (After 6/29/11)	54
Casters - Front (Before 7/1/11)	53
Casters - Front Mounting Hardware (After 6/29/11)	57
Casters - Front Mounting Hardware (Before 7/1/11)	55
Casters - Headtubes & Hardware - All MVP/Style & Xtra/Jr. (Built Before 4/03)	44
Casters - Headtubes & Hardware - Xtra/Jr. (Built After 3/03)	46
Crossbraces & Hardware	16
Crutch & Cane Carrier	91
Fabric Clothing Guards	93
Forks and Hardware (After 6/29/11)	48
Forks and Hardware (Before 7/1/11)	51

TABLE of CONTENTS

Description	Page Number
Frame Finishes & Touch-Up Paint	6
Frame Hardware - All MVP/Style & Xtra/Jr. (Built Before 4/03)	12
Frame Hardware - Xtra/Jr. (Built After 3/03)	14
Frames	10
Front Riggings - 90 Degree Fixed Supports	107
Front Riggings - Adjustable Angle Footplate Assemblies - AT5543	132
Front Riggings - Adjustable Heel Loops	142
Front Riggings - Articulating Legrests - ATL4A	102
Front Riggings - Flip-Up Adjustable Angle Footplate Assembly	137
Front Riggings - Footrest - 90 Degree Fixed Supports w/ Footplates - AT5043 (After 1/92) ...	111
Front Riggings - Footrest - 90 Degree Fixed Supports w/ Footplates - AT5043 (Before 2/92)	109
Front Riggings - Footrest - Adjustable Angle - AT5543 (90 INDFTPLT & 90FTBD)	113
Front Riggings - Footrest - Folding	115
Front Riggings - Footrest - One Piece Tubular	118
Front Riggings - Footrest Extension Tubes	144
Front Riggings - Footrest Support Assemblies	97
Front Riggings - Heel Loops & Toe Loops	139
Front Riggings - Legrest Calf Pads and Ratchet Assemblies	105
Front Riggings - Legrest Support Assemblies - AT5044	100
Front Riggings - Pivot/Slide Tube w/ Flip-Up Footplates - A1562	130
Front Riggings - Pivot/Slide Tube w/ Footplate Assembly - Composite - 1651	123

TABLE of CONTENTS

Description	Page Number
Front Riggings - Pivot/Slide Tube w/ Footplate Assy. - Aluminum - A1562/A1564	125
Front Riggings - Pivot/Slide Tube w/ Footplate Assy. (Not Including Heel Loops) - Composite (1651)	120
Front Riggings - Pivot/Slide Tube w/ Tubular Footplates	127
Handrim Hardware	73
Handrims	71
Packaging - Literature - Decals	8
Rear Anti-Tippers	85
Rigid Side Guards	95
Stroller Handles	84
Undermount Wheel Lock	82
Upholstery - Back	24
Upholstery - Back - Adjustable Tension	26
Upholstery - Seat	30
Wheel Lock - Pull to Lock (MVP/Xtra/Jr.)	78
Wheel Lock - Pull to Lock (Style) & Hill Holder (MVP/Xtra/Jr./Style)	75
Wheel Lock - Push to Lock (MVP/Xtra/Jr./Style)	80
Wheel Lock Reference Chart	74
Wheels - Rear - w/ Handrims - Spoke (After 9/1/11)	67
Wheels - Rear - w/ Handrims - Spoke (Before 9/2/11)	69
Wheels - Rear - w/o Handrims - Composite	61
Wheels - Rear - w/o Handrims - Spoke (After 9/1/11)	62

TABLE of CONTENTS

Description	Page Number
Wheels - Rear - w/o Handrims - Spoke (Before 9/2/11)	64

Frame Finishes & Touch-Up Paint

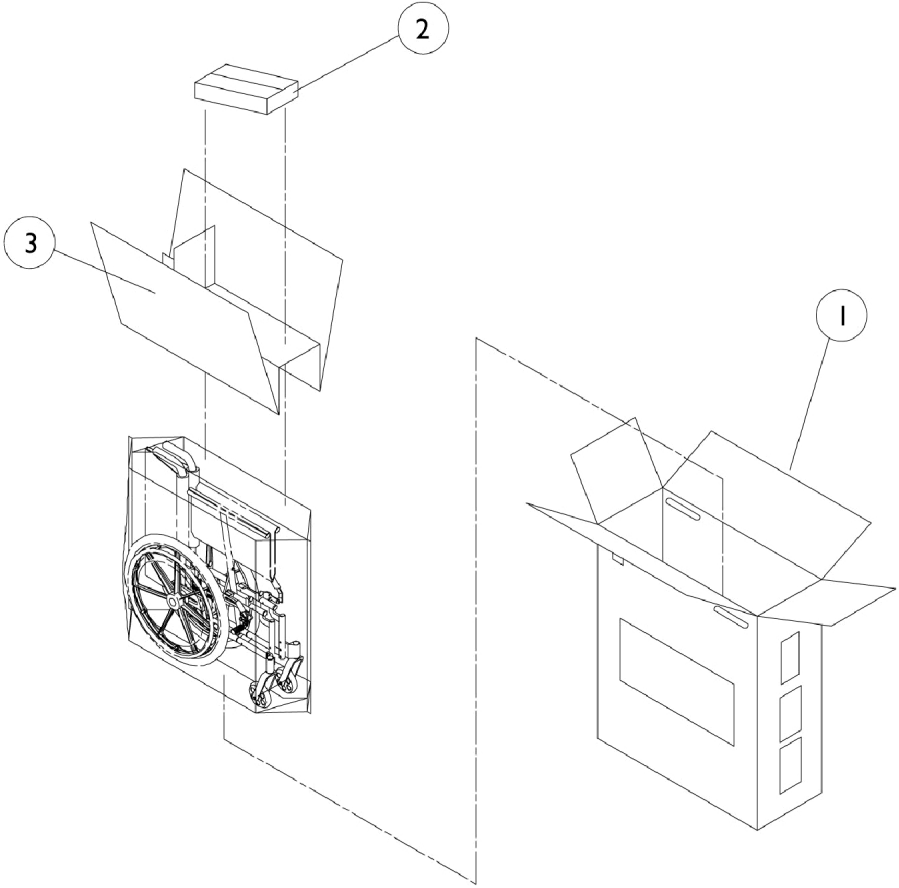
Color Number	Touch-Up Paint	Description
01P	1046326-NLA	Hot Red
02P	1031452-NLA	Pink Pearl
06P	1031454-NLA	Super Teal
08P	1031456-NLA	Deep Purple
17P	1046319-NLA	Cobalt Blue
22P	1033376-NLA	Anthracite
24P	1031450-NLA	Wet Black
26P	N/A	Neon Pink
29P	1031447-NLA	White
30P	1074167-NLA	Sunny Yellow
31P	1031453-NLA	Lollipop Pink
33P	1031455-NLA	Red
56P	1046325-NLA	Shocking Blue
61P	1046320-NLA	Electric Red
62P	1046321-NLA	Electric Blue
66P	1046322-NLA	Passion Purple
80P	1073892-NLA	Evergreen with Navy
81P	1073893-NLA	Dark Olive with Copper
82P	1073894-NLA	Fruit Punch with Fuchsia
83P	1073895-NLA	Royal Blue with Grape
84P	1073896-NLA	Lavender
95P	N/A	Chrome Powder Coat
101P	1101325-NLA	Jeweled Green
102P	1101327-NLA	Denim Blue
104P	1101316-NLA	Electric Teal
105P	1101326-NLA	Midnight Blue

Frame Finishes & Touch-Up Paint

Sparkle Frame Finishes

Color Number	Description
72P	Twilight Sparkle
73P	Gold Sparkle
74P	Green Sparkle
75P	Blue Sparkle
76P	Red Sparkle
88P	Wet Black w/Twilight Sparkle

Packaging - Literature - Decals



Packaging - Literature - Decals

Item Number	Note	Part Number	Description	Quantity Per	
				Package	Assembly
1		1045583-NLA	NLA - Carton, Shipper	1	1
2		40131X011-NLA	NLA - Carton, Front Riggings	1	1
3		1049222-NLA	NLA - Insert, Bottom Pad	1	1
	A,B	1026793-NLA	NLA - Owner's Manual, Xtra and Jr.	1	1
	A,C	1106638-NLA	NLA - Owner's Manual, MVP - English	1	1
	A	1026935-NLA	NLA - Owner's Manual, Style	1	1
	A	See Chart	Decals	1	1

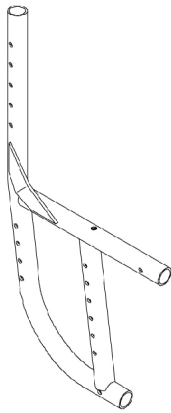
NOTE: A - Not Shown
 B - Item is no longer available from the Invacare Service Parts Department. Refer to the Invacare Website under "Product Literature Search". Enter the part number in the "Keywords" field and download a free PDF version copy.
 C - Item is no longer available from the Invacare Service Parts Department. Refer to the Invacare Website under "Product Literature Search". Enter the part number in the "Keywords" field and download a free PDF version copy.

Decals

Lettering Color	Xtra	MVP	Jr	Style
Black	1047716-NLA	1029411-NLA	1025699-NLA	1025696-NLA
White	1047717-NLA	1029410-NLA	1025693	1025690-NLA

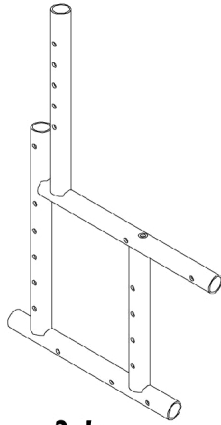
When adjusting or replacing parts, please refer to your Owner's Manual for assistance.

Frames



**1. MVP
Style**

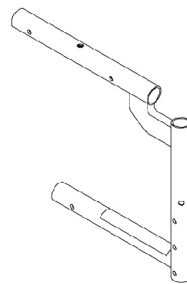
Rear



**2. Jr.
Xtra**

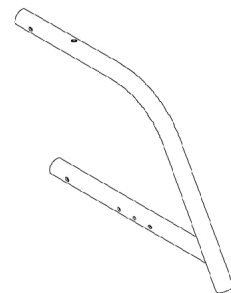
Front

Swingaway



**3. MVP, Xtra,
Jr.**

Fixed



**4. Style (After 3/92)
MVP**

Frames

#1 Rear Frames - MVP/Style

When replacing rear frames for an MVP or Style Chair models built before 7/5/00, 2 frames must be ordered along with new rear canes. Armrest hardware may also be needed if the chair has 2 point arms.

Description	Part Number
Rear Frame (Curved) Before 7/5/00 Right See Note(s) A	1024766-NLA
Rear Frame (Curved) Before 7/5/00 Left See Note(s) A	1024767-NLA
Rear Frame (Curved) After 7/4/00 Right/Left	8881094943
NOTE: A - When replacing rear frames for an MVP or Style Chair models built before 7/5/00, 2 frames must be ordered along with new rear canes. Armrest hardware may also be needed if the chair has 2 point arms. Specify frame finish when ordering.	

#2 Rear Frames - Xtra/Jr.

Description	Part Number
Rear Frame (Straight)	8881018543
Specify frame finish when ordering.	

#3 Swingaway Front Frames - Xtra/Jr./MVP

Due to aesthetics, swingaway front frames for an MVP, Xtra, or Jr. chair built Before 7/5/00 must be replaced in pairs.

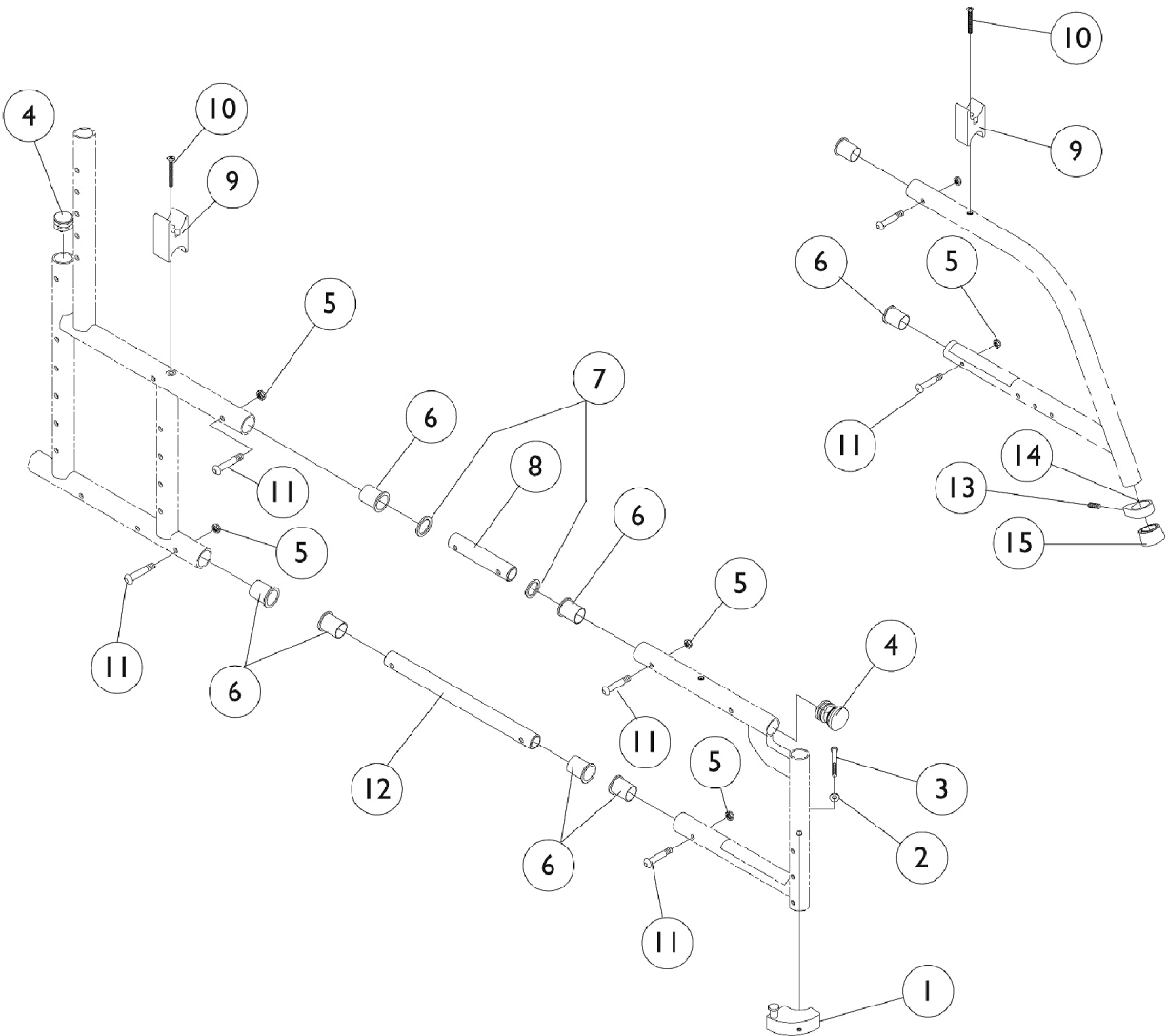
Right/Left	12" Deep	14" Deep	15" Deep	16" Deep	17" Deep	18" Deep
Right	1018171-NLA See Note(s) A	8881018533-NL A See Note(s) A	8881018535-NL A	8881018537	8881018539-NL A	8881018541
Left	8881018172-NL A See Note(s) A	8881018534-NL A See Note(s) A	8881018536-NL A	8881018538	8881018540-NL A	8881018542
NOTE: A - Jr. chairs use Swingaway Front Frames for both Swingaway and Fixed Front chairs. See 90 Degree Fixed Supports category. Specify frame finish when ordering.						

#4 Fixed Front Frames - MVP/Style

Front Frame Type	14" Deep	15" Deep	16" Deep	17" Deep	18" Deep
60 Degree	8881068512-NLA	8881068513-NLA	8881068514-NLA	8881068515-NLA	8881068516-NLA
80 Degree	8881038779-NLA	8881038780-NLA	8881038781-NLA	8881038782-NLA	8881038783-NLA
Specify frame finish when ordering.					

Frame Hardware

All MVP/Style and Xtra/Jr.
(Built Before 4/03)



Frame Hardware
All MVP/Style and Xtra/Jr.
(Built Before 4/03)

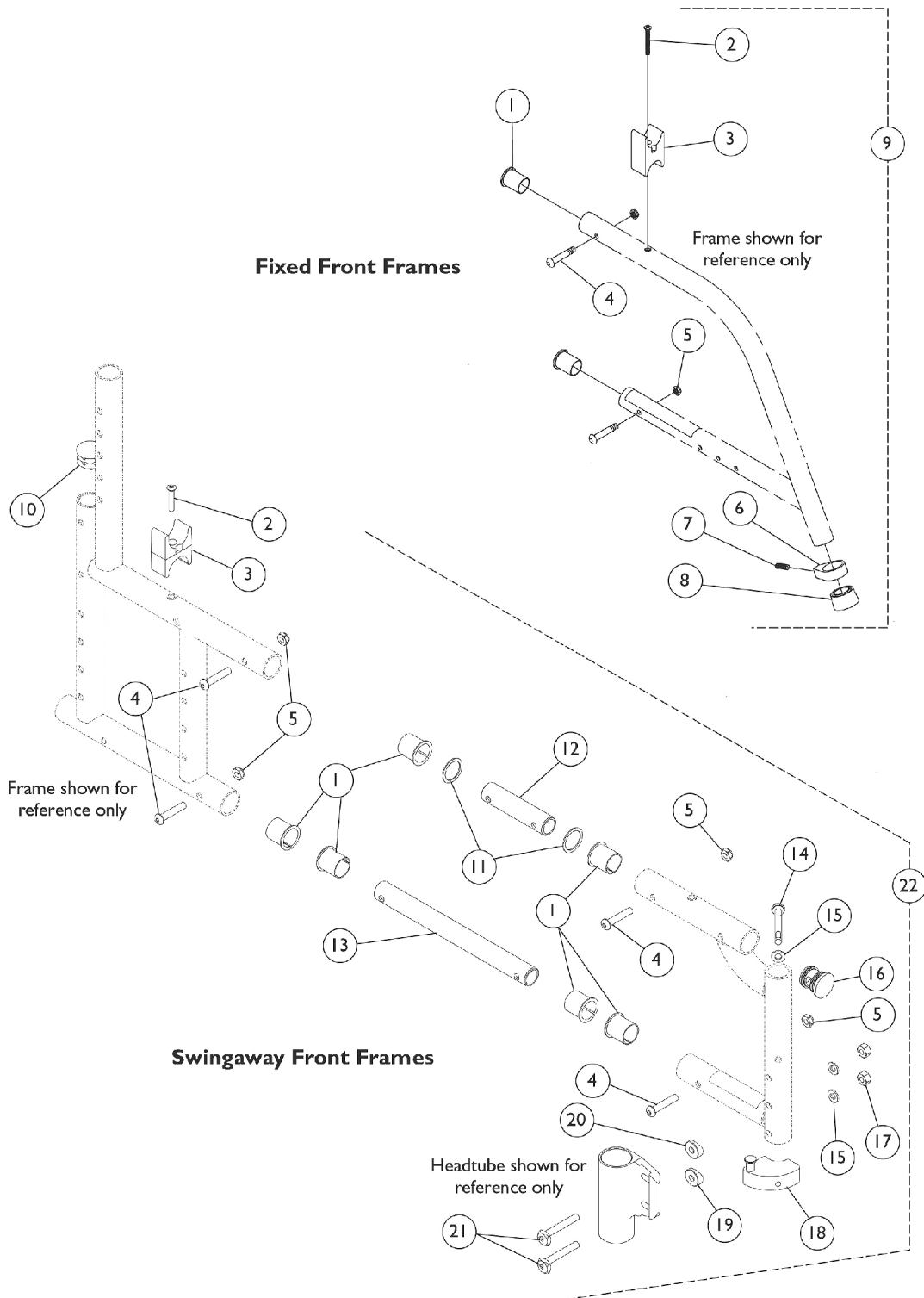
Item Number	Note	Part Number	Description	Quantity Per	
				Package	Assembly
1	A	1054571	Kit, Sector Block - Right	1	1
1	A	1054572	Kit, Sector Block - Left	1	1
2		1026907	Washer (1/4 x 1/2 x 1/16")	1	1
3		1052957	Screw, Hex Head w/ Patch (1/4-20 x 2")	1	1
4		1056328	Plug Button, Black (1")	1	2
5		1065362	Locknut (1/4-28)	1	8
6		1024786	Bushing, Pivot	1	6
7		1026888	Washer, Nylon (3/4 x 1 x 1/32")	1	2
8		1024787-NLA	NLA - Tube, Insert, Upper	1	1
9		1007541	Clamp, Seat	1	2
10		1025703-NLA	NLA - Screw, Phillips Oval Head (#10-32 x 1")	1	2
11		1055309	Screw, Socket Button Head (1/4-28 x 1-1/4")	1	4
12		1024788	Tube, Insert, Lower	1	1
13		1026911-NLA	NLA - Screw, Socket Set Cone Point (1/4-20 x 1/2")	1	1
14		1024749	Clamp	1	1
15		15680X013	Anti-Rattle (1")	1	1

NOTE: A - Includes items 2 and 3.

Frame Hardware

Xtra/Jr.

(Built After 3/03)



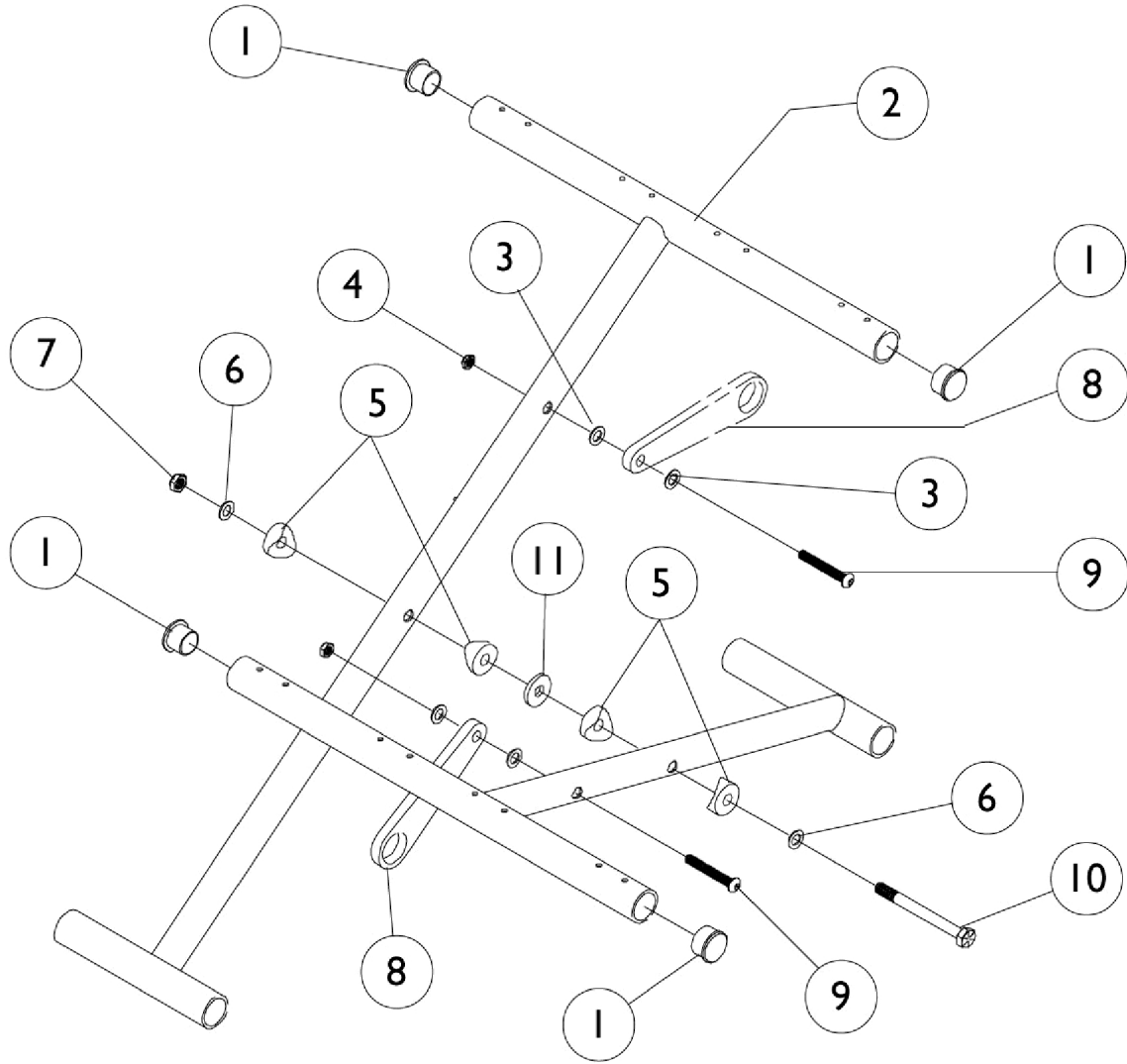
Frame Hardware Xtra/Jr. (Built After 3/03)

Item Number	Note	Part Number	Description	Quantity Per	
				Package	Assembly
1		1024786	Bushing, Pivot	1	12
2		1025703-NLA	NLA - Screw, Phillips Oval Head (#10-32 x 1")	1	2
3		1007541	Clamp, Seat	1	2
4		1059284-NLA	NLA - Screw, Socket Button Head (1/4-28 x 1-1/4")	1	8
5		1025765	Locknut (1/4-28)	1	8
6		1024749	Clamp	1	2
7		1026911-NLA	NLA - Screw, Socket Set Cone Point (1/4-20 x 1/2")	1	2
8		1013870-NLA	NLA - Anti-Rattle (1")	1	2
9	A	1107510	Hardware, Frame, Front (1 Pair)	1	1
10		1029501	Plug Button, Black (1")	1	2
11		1026888	Washer, Nylon (3/4 x 1 x 1/32")	1	4
12		1024787-NLA	NLA - Tube, Insert, Upper	1	2
13		1024788	Tube, Insert, Lower	1	2
14		1052957	Screw, Hex Head w/ Patch (1/4-20 x 2")	1	2
15		1026907	Washer (1/4 x 1/2 x 1/16")	1	6
16		1036627-NLA	NLA - Plug Button (1")	1	2
17		1055366	Locknut (1/4-28)	1	4
18	D	1054571	Kit, Sector Block - Right	1	1
18	D	1054572	Kit, Sector Block - Left	1	1
19		1009861	Spacer, Coved (1/4 x 11/16 x 1/2")	1	2
20		1026099	Spacer, Coved (1/4 x 11/16 x 1/2")	1	2
21		1113501	Screw, Eccentric (1/4-28 x 1-11/16")	1	4
22	B	1116626-NLA	NLA - Hardware, Frame (Pair)	2	1
22	C	1116627-NLA	NLA - Hardware, Frame (Pair)	2	1

NOTE: A - Fixed Front Frames. Includes Insert Tubes and items 1-8.
 B - 14-18" Deep Swingaway Frames. Includes items 1-5, 10-21.
 C - 12" Deep Frames. Includes items 1-5, 12,13,15,17, 19-21. Does not include items 10,14,16, & 18.
 D - Includes sector block and hardware, items 14 and 15.

Crossbraces & Hardware

Chairs with heavy duty packages have dual crossbraces. Before ordering crossbraces for these chairs please contact specials dept.



Crossbraces & Hardware

Chairs with heavy duty packages have dual crossbraces. Before ordering crossbraces for these chairs please contact specials dept.

Item Number	Note	Part Number	Description	Quantity Per	
				Package	Assembly
1		1056328	Plug Button, Black (1")	1	4
2		See Chart	#2 Crossbrace Pair Kits (10-12" Deep)	1	1
2		See Chart	#2 Crossbrace Pair Kits (14-18" Deep)	1	1
2		See Chart	#2 Single Crossbraces (10-14" W x 10-14" D)	1	1
2		See Chart	#2 Single Crossbraces (14-20" W x 14-18" D)	1	1
3		1026106-NLA	NLA - Washer (1/4 x 5/8 x 1/16")	1	4
4		7930334-NLA	NLA - Locknut (1/4-28)	25	2
5		1016263	Spacer, Coved (3/4 x 1 x 1/2")	1	4
6		1025704	Washer, Flat (5/16 x 5/8 x 1/16")	1	2
7		7930330-NLA	NLA - Locknut (5/16-24)	25	1
8	A	1025642-NLA	NLA - Link, Pivot, Black (10 - 12" W)	1	2
8	B	1025645	Link, Pivot, Black (13 - 15" W)	1	2
8	C	1025647	Link, Pivot, Black (16 - 17" W)	1	2
8	D	1025649	Link, Pivot, Black (18 - 20" W)	1	2
9		1055348	Screw, Hex Head (1/4-28 x 1-3/4")	1	2
10		1025705-NLA	NLA - Screw, Hex Head (5/16-24 x 3-1/4")	1	1
11		7930313	Package, Washer, Nylon (5/16 x 7/8 x 1/8")	25	1

NOTE: A - 10-12" Wide
 B - 13-15" Wide
 C - 16-17" Wide
 D - 18-20" Wide

#2 Crossbrace Pair Kits (10-12" Deep)

Chair Width	10" Deep	11" Deep	12" Deep
10"	1031540-NLA	1033810-NLA	1031542-NLA
12"	1031541-NLA	1033811-NLA	1031543-NLA

Crossbraces replaced on chairs built before 9/91 need the following retrofit kits which include: the right and left crossbrace and center bolt with hardware.
 Specify Frame Color when ordering.

#2 Crossbrace Pair Kits (14-18" Deep)

Chair Width	14" Deep	15" Deep	16" Deep	17" Deep	18" Deep
14"	1031509-NLA	1031510-NLA	1031511-NLA	1031512-NLA	1031513-NLA
15"	1031514-NLA	1031515-NLA	1031516-NLA	1031517-NLA	1031518-NLA
16"	1031519-NLA	1031520-NLA	1031526-NLA	1031521-NLA	1031522-NLA

Crossbraces & Hardware

Chairs with heavy duty packages have dual crossbraces. Before ordering crossbraces for these chairs please contact specials dept.

#2 Crossbrace Pair Kits (14-18" Deep)

Chair Width	14" Deep	15" Deep	16" Deep	17" Deep	18" Deep
17"	1031523-NLA	1031524-NLA	1031525-NLA	1031527-NLA	1031528-NLA
18"	1031529-NLA	1031530-NLA	1031531-NLA	1031532-NLA	1031533-NLA
19"	N/A	N/A	1031534-NLA	1031535-NLA	1031536-NLA
20"	N/A	N/A	1031537-NLA	1031538-NLA	1031539-NLA
<p>Crossbraces replaced on chairs built before 9/91 need the following retrofit kits which include: the right and left crossbrace and center bolt with hardware. Specify Frame Color when ordering.</p>					

Crossbraces & Hardware

Chairs with heavy duty packages have dual crossbraces. Before ordering crossbraces for these chairs please contact specials dept.

#2 Single Crossbraces (10-14" W x 10-14" D)

Chair Width	10" Deep	11" Deep	12" Deep	13" Deep	14" Deep
10" Right	1025657-NLA	1028241-NLA	1025659-NLA	N/A	N/A
10" Left	1025658-NLA	1028242-NLA	1025660-NLA	N/A	N/A
12" Right	1025661-NLA	1028243-NLA	1025663-NLA	1032150-NLA	1032152-NLA
12" Left	1025662-NLA	1028244-NLA	1025664-NLA	1032151-NLA	1032153-NLA
13" Right	1032154-NLA	1032156	1032158-NLA	1032160-NLA	1032162-NLA
13" Left	1032155-NLA	1032157-NLA	1032159-NLA	1032161-NLA	1032163-NLA
14" Right	1032164-NLA	1032166-NLA	1032168-NLA	1032170-NLA	1025665
14" Left	1032165-NLA	1032167-NLA	1032169-NLA	1032171-NLA	1025666

Crossbraces & Hardware

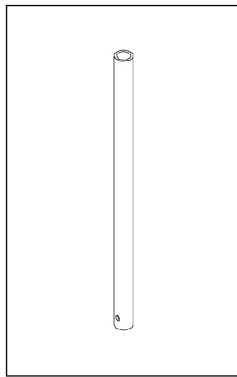
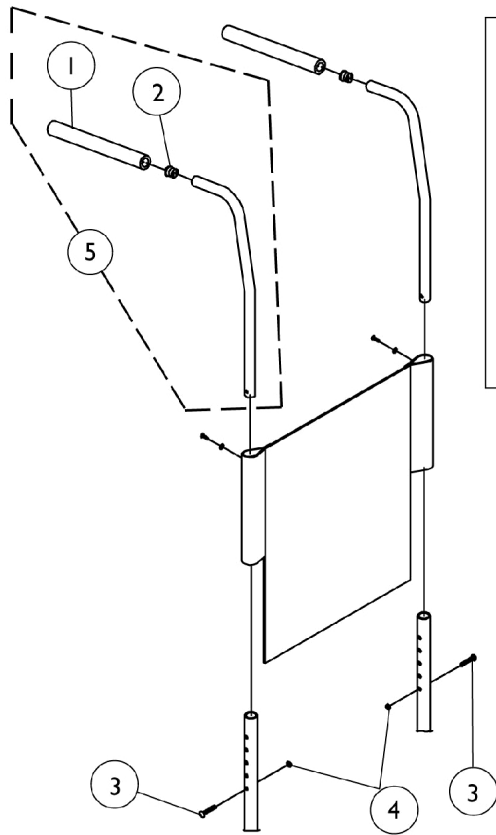
Chairs with heavy duty packages have dual crossbraces. Before ordering crossbraces for these chairs please contact specials dept.

#2 Single Crossbraces (14-20" W x 14-18" D)

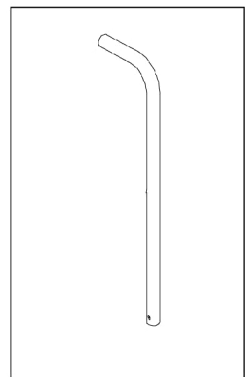
Chair Width	14" Deep	15" Deep	16" Deep	17" Deep	18" Deep
14" Right	1025665	1028203-NLA	1025667-NLA	1028205-NLA	1028207-NLA
14" Left	1025666	1028204-NLA	1025668-NLA	1028206-NLA	1028208-NLA
15" Right	1025669-NLA	1028209-NLA	1025671-NLA	1028211-NLA	1028213-NLA See Note(s) C
15" Left	1025670-NLA	1028210-NLA	1025672-NLA	1028212-NLA	1028214-NLA See Note(s) C
16" Right	1025673-NLA See Note(s) A	1028215	1025675	1028217	1028219
16" Left	1025674-NLA See Note(s) A	1028216	1025676	1028218	1028220
17" Right	1025677-NLA See Note(s) B	1028221	1025679	1028223	1028225
17" Left	1025678-NLA See Note(s) B	1028222	1025680	1028224	1028226
18" Right	1025681-NLA	1028227	1025683	1028229	1028231
18" Left	1025682-NLA	1028228-NLA	1025684	1028230	1028232
19" Right	N/A	N/A	1025685	1028233	1028235
19" Left	N/A	N/A	1025686	1028234	1028236
20" Right	N/A	N/A	1025687	1028237	1028239
20" Left	N/A	N/A	1025688	1028238	1028240

NOTE: A - No longer available as an individual component. Use 1031519 as the replacement part, see "Crossbrace Pair Kits" to find the replacement part number.
 B - No longer available as an individual component. Use 1031523 as the replacement part, see "Crossbrace Pair Kits" to find the replacement part number.
 C - No longer available as an individual component. Use 1031518 as the replacement part, see "Crossbrace Pair Kits" to find the replacement part number.

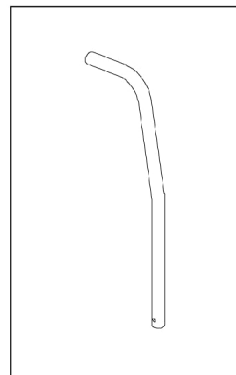
Canes - Back



Sportster Cane



Straight Cane with Push Handle



10° Bend Cane with Push Handle

Canes - Back

Item Number	Note	Part Number	Description	Quantity Per	
				Package	Assembly
1		1032246	Grip, Cane	1	1
2		1027097	Plug Button, Black (3/4")	1	1
3		1008432	Screw, Socket Button Head (1/4-20 x 1-1/4")	1	1
4		1025195	Locknut (1/4-20)	1	1
5		See Chart	#5 Back Canes w/ Grip - Jr.	1	1
5		See Chart	#5 Back Canes w/ Grip - MVP/Style built After 7/4/00	1	1
5		See Chart	#5 Back Canes w/ Grip - Xtra and (MVP/Style Before 7/5/00)	1	1

#5 Back Canes w/ Grip

Xtra and (MVP/Style Before 7/5/00)

Back Cane Description	Part Number
Sportster Cane, 10-14" Back Height	1028785-NLA
Straight Cane w/ Push Handle, 12-16" Back Height	1027850
Straight Cane with Push Handle, 14-18" Back Height	1044031
10 Degree Bend Cane w/ Push Handle, 14-18" Back Height	1088495
10 Degree Bend Cane w/ Push Handle, 20" Back (Non-Adjustable)	1088493-NLA

#5 Back Canes w/ Grip

MVP/Style built After 7/4/00

Back Cane Description	Part Number
Sportster Cane, 10-14" Back Height	1094588
Straight Cane w/ Push Handle, 12-16" Back Height	1094925
Straight Cane w/ Push Handle, 14-18" Back Height	1094926
10 Degree Bend Cane w/ Push Handle, 14-18" Back Height	1094586
10 Degree Bend Cane w/ Push Handle, 20" Back (Non-Adjustable)	1094587

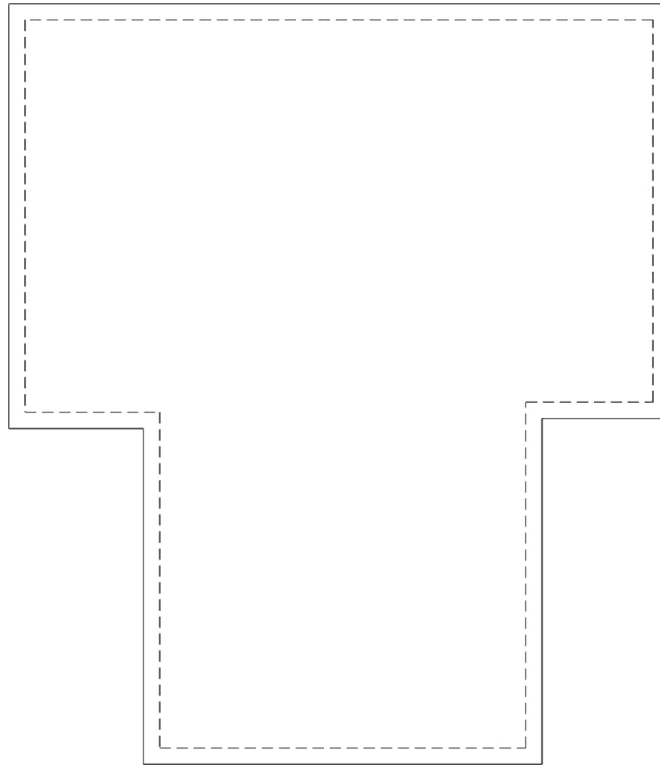
Canes - Back

#5 Back Canes w/ Grip

Jr.

Back Cane Description	Part Number
10 Degree Bend w/ Push Handle, 10-14" & 14-18" Back Height	1052789-NLA
Straight Cane w/o Grip, 20" High	1059249

Back Upholstery



Back Upholstery - Nylon

Chair Width	10-14" High	12-16" High	14-18" High	20" High
10"	1044910-NLA	1028162-NLA	1028162-NLA	N/A
11"	1044911-NLA	1044716-NLA	1044716-NLA	N/A
12"	1044912-NLA	1028164	1028164	N/A
13"	1044913-NLA	1044718-NLA	1044718-NLA	N/A
14"	1044914-NLA	1028143	1028141	1028141
15"	1044915-NLA	1028146	1028144	1028144
16"	1044916-NLA	1028149	1028147	1028147
17"	1028151	1028151	1028150	1028150
18"	1028154	1028154	1028153	1028153
19"	1028157	1028157	1028156	1028156
20"	1028160	1028160	1028159	1028159
22"	1108320-NLA	1108320-NLA	1108321	1108321

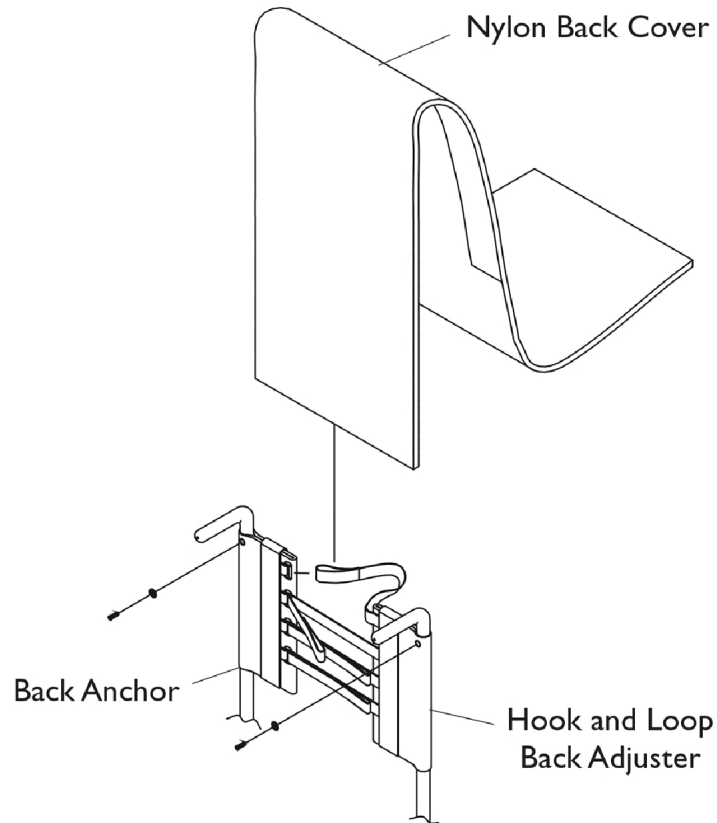
Back Upholstery

Back Upholstery Hardware

Item Number	Note	Part Number	Description	Quantity Per	
				Package	Assembly
	A	1026298	Package, Screw with Washer (#10 x 7/8") (Pair)	2	1
	A	See Chart	Back Upholstery	1	1

NOTE: A - Not Shown

Adjustable Tension Back Upholstery



Adjustable 10-14" Back Height

Seat Width	Back Anchor	Hook & Loop Adjuster	Back Cover	Back Assembly See Note(s) A
10"	1046405-NLA	1061122-NLA	1061121-NLA	N/A
11"	1046405-NLA	1061122-NLA	1061124-NLA	N/A
12"	1037927	1052739-NLA	1050685-NLA	1052743-NLA
13"	1037927	1052739-NLA	1050688	1052744-NLA
14"	1037927	1037936-NLA	1037929	1039471
15"	1037927	1037936-NLA	1037930	1039472
16"	1037927	1037936-NLA	1037931	1039473
17"	1037927	1037928	1037932	1039474
18"	1037927	1037928	1037933	1039475
19"	1037927	1037937	1037934	1039476
20"	1037927	1037937	1037935	1039477
22"	1037927	1108327-NLA	1108323-NLA	N/A

NOTE: A - Back Assembly includes Back Anchor, Hook & Loop Adjuster, Back Cover, and Instruction Sheet.

Adjustable Tension Back Upholstery

Adjustable 12-16" Back Height

Seat Width	Back Anchor	Hook & Loop Adjuster	Back Cover	Back Assembly See Note(s) A
12"	1037916	1052740-NLA	1050686-NLA	1052745-NLA
13"	1037916	1052740-NLA	1050689	1052746-NLA
14"	1037916	1037925	1037918	1039478
15"	1037916	1037925	1037919	1039479
16"	1037916	1037925	1037920	1039480
17"	1037916	1037917	1037921	1039481
18"	1037916	1037917	1037922	1039482
19"	1037916	1037926	1037923	1039483
20"	1037916	1037926	1037924	1039484
22"	1037916	1108328-NLA	1108324-NLA	N/A

NOTE: A - Back Assembly includes Back Anchor, Hook & Loop Adjuster, Back Cover, and Instruction Sheet.

Adjustable Tension Back Upholstery

Adjustable 14-18" Back Height

Seat Width	Back Anchor	Hook & Loop Adjuster	Back Cover	Back Assembly See Note(s) A
12"	1037720-NLA	1052741-NLA	1050687-NLA	1052747-NLA
13"	1037720-NLA	1052741-NLA	1050690	1052748-NLA
14"	1037720-NLA	1037736	1037722	1039485
15"	1037720-NLA	1037736	1037723	1039486
16"	1037720-NLA	1037736	1037724	1039487
17"	1037720-NLA	1037721	1037725	1039488-NLA
18"	1037720-NLA	1037721	1037726	1039489-NLA
19"	1037720-NLA	1037737	1037727	1039490-NLA
20"	1037720-NLA	1037737	1037728	1039491
22"	1037720-NLA	1108329-NLA	1108325	N/A

NOTE: A - Back Assembly includes Back Anchor, Hook & Loop Adjuster, Back Cover, and Instruction Sheet.

Fixed 20" Back Height

Seat Width	Back Anchor	Hook & Loop Adjuster	Back Cover	Back Assembly See Note(s) A
14"	1046731	1046732	1046735-NLA	1046742
15"	1046731	1046732	1046736	1046743
16"	1046731	1046732	1046737	1046744
17"	1046731	1046733	1046738	1046745
18"	1046731	1046733	1046739	1046746
19"	1046731	1046734	1046740	1046747
20"	1046731	1046734	1046741	1046748
22"	1046731	1108330-NLA	1108326-NLA	N/A

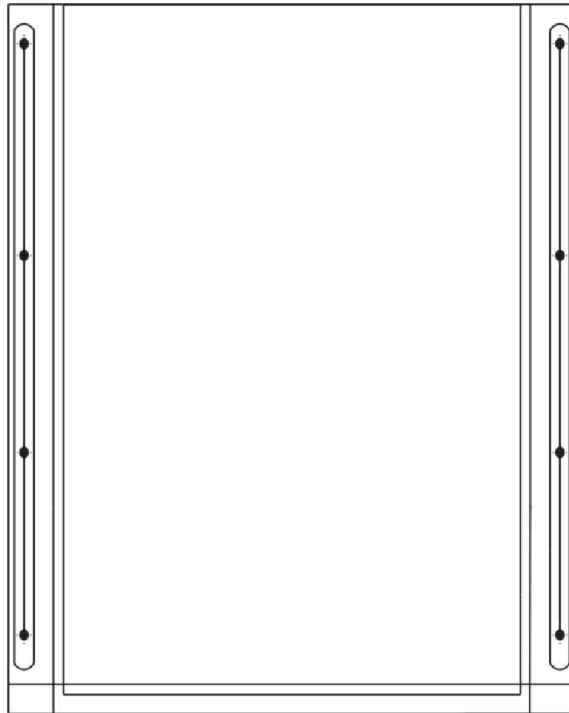
NOTE: A - Back Assembly includes Back Anchor, Hook & Loop Adjuster, Back Cover, and Instruction Sheet.

Adjustable Tension Back Upholstery

Adjustable Tension Back Hardware

Item Number	Note	Part Number	Description	Quantity Per	
				Package	Assembly
	A	1026298	Package, Screw with Washer (#10 x 7/8") (Pair)	2	1
	A,B	1039470-NLA	NLA - Instruction Sheet, Adjustable Tension Back Upholstery	1	1
	A	See Chart	Adjustable 10-14" Back Height	1	1
	A	See Chart	Adjustable 12-16" Back Height	1	1
	A	See Chart	Adjustable 14-18" Back Height	1	1
	A	See Chart	Fixed 20" Back Height	1	1
NOTE: A - Not Shown B - Item is no longer available from the Invacare Service Parts Department. Refer to the Invacare Website under "Product Literature Search". Enter the part number in the "Keywords" field and download a free PDF version copy.					

Seat Upholstery



Seat Upholstery - Sail Cloth

Seat Upholstery 10-15" Deep

Chair Width	10" Deep	11" Deep	12" Deep	13" Deep	14" Deep	15" Deep
10"	1032074-NLA	1032075-NLA	1032076-NLA	N/A	N/A	N/A
12"	1032077-NLA	1032078-NLA	1032079-NLA	1032173-NLA	1032174-NLA	1065142-NLA
13"	1032175-NLA	1032176-NLA	1032177-NLA	1032178-NLA	1032179-NLA	1064706-NLA
14"	1032180-NLA	1032181-NLA	1032182-NLA	1032183-NLA	1032080	1032081
15"	N/A	N/A	N/A	1064707-NLA	1032085	1032086
16"	N/A	N/A	N/A	1064708-NLA	1032090	1032091
17"	N/A	N/A	N/A	1064709-NLA	1032095	1032096
18"	N/A	N/A	N/A	1064710-NLA	1032100	1032101

Seat Upholstery

Seat Upholstery 16-22" Deep

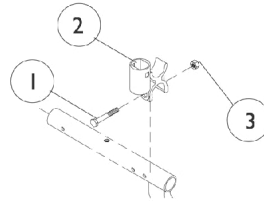
Chair Width	16" Deep	17" Deep	18" Deep	19" Deep	20" Deep	22" Deep
13"	1065143-NLA	N/A	N/A	N/A	N/A	N/A
14"	1032082	1032083	1032084	N/A	N/A	N/A
15"	1032087	1032088	1032089	N/A	N/A	N/A
16"	1032092	1032093	1032094	1046478-NLA	N/A	N/A
17"	1032097	1032098	1032099	1046479-NLA	N/A	N/A
18"	1032102	1032103	1032104	1046480-NLA	N/A	N/A
19"	1032105	1032106	1032107	1046481-NLA	N/A	N/A
20"	1032108	1032109	1032110	1046482-NLA	1107542	1107544-NLA
22"	N/A	N/A	N/A	N/A	N/A	1107545

Seat Upholstery Hardware Kits

Seat Depth	Hardware Kit	Screw Quantity/Size per Kit
10-13"	1032184-NLA	8 ea. (#10-32 x 3/4")
14-15"	1026931-NLA	10 ea. (#10-32 x 3/4")
16-17"	1026932-NLA	12 ea. (#10-32 x 3/4")
18"	1026933-NLA	14 ea. (#10-32 x 3/4")
19-22"	1046294-NLA	16 ea. (#10-32 x 3/4")

Two Point Arm Attaching Hardware

Front Arm Sockets



Xtra, Jr.	MVP, Style Chairs before 7/5/00	MVP, Style Chairs after 7/4/00
<p data-bbox="233 1100 464 1136">20 Conventional</p>	<p data-bbox="613 1100 850 1136">22 Conventional</p>	<p data-bbox="1040 1100 1278 1136">24 Conventional</p>
<p data-bbox="256 1646 472 1682">21 Space Saver</p>	<p data-bbox="630 1646 846 1682">23 Space Saver</p>	<p data-bbox="1040 1646 1256 1682">25 Space Saver</p>

Two Point Arm Attaching Hardware

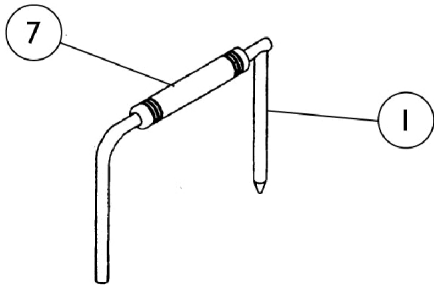
Item Number	Note	Part Number	Description	Quantity Per	
				Package	Assembly
1		1055298	Screw, Hex Head (1/4-28 x 1-5/8")	1	6
2		1036485	Socket, Arm	1	2
3		1065362	Locknut (1/4-28)	1	8
4		1055351-NLA	NLA - Screw, Hex Head (1/4-28 x 2-1/2")	1	2
5		1015856	Socket, Armrest	1	2
6		1068015-NLA	NLA - Support, Post, Arm	1	2
7	F	1114604-NLA	NLA - Bracket, Arm Mounting, Black	1	2
8		1026907	Washer (1/4 x 1/2 x 1/16")	1	4
9		1015426	Spacer, Coved Cam - Right	1	1
9		1015427	Spacer, Coved Cam - Left	1	2
10		1028553-NLA	NLA - Spacer (1/4 x 3/8 x 3/4")	1	2
11		1055309	Screw, Socket Button Head (1/4-28 x 1-1/4")	1	2
12		1025765	Locknut (1/4-28)	1	2
13		1036473-NLA	NLA - Bracket, Armrest, Inside Mounting, Black - Right (14" Deep)	1	1
13		1036472-NLA	NLA - Bracket, Armrest, Inside Mounting, Black - Left (14" D)	1	1
13		1036474	Bracket, Armrest, Outside Mounting, Black - Right (14" D)	1	1
13		1036475-NLA	NLA - Bracket, Armrest, Outside Mounting, Black - Left (14" Deep)	1	1
13		1036469-NLA	NLA - Bracket, Armrest, Inside Mounting, Black - Right (15 - 18" Deep)	1	1
13		1036468-NLA	NLA - Bracket, Armrest, Inside Mounting, Black - Left (15 - 18" Deep)	1	1
13		1036470-NLA	NLA - Bracket, Armrest, Outside Mounting, Black - Right (15 - 18" Deep)	1	1
13		1036471-NLA	NLA - Bracket, Armrest, Outside Mounting, Black - Left (15 - 18" Deep)	1	1
14		1066261	Bracket, Armrest, Black	1	1
15		1055347-NLA	NLA - Screw, Hex Head (1/4-28 x 1-1/2")	1	3
16		1036435	Washer, Nylon (1/4 x 7/8 x 1/32")	1	2
17		1087219	Spacer (1/4 x 3/8 x 1")	1	2
18		1026900	Washer (1/4 x 23/32 x 1/16")	1	4
19		1083099	Screw, Socket Button Head (1/4-28 x 1-1/2")	1	2
20	A,E	1069807	Hardware, Arm Mounting, Conventional Arm (Pair)	2	1
21	A,E	1036796	Hardware, Arm Mounting, Space Saver Arm (Pair)	2	1
22	B,E	1079517-NLA	NLA - Hardware, Arm Mounting, Conv. Arm (Pair)	2	1
22	C,E	1079519-NLA	NLA - Hardware, Arm Mounting, Conv. Arm (Pair)	2	1
23	B,E	1079516-NLA	NLA - Hardware, Arm Mounting, S.S. Arm (Pair)	2	1
23	C,E	1079518-NLA	NLA - Hardware, Arm Mounting, S.S. Arm (Pair)	2	1
24	D,E	1101043-NLA	NLA - Hardware, Arm Mounting, Conv. Arm (Pair)	2	1
25	D,E	1094944-NLA	NLA - Hardware, Arm Mounting, S.S. Arm (Pair)	2	1

Two Point Arm Attaching Hardware

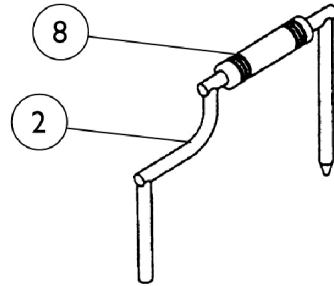
NOTE: A - Xtra, Jr.
B - MVP, Style Before 7/5/00 (14" Deep)
C - MVP, Style Before 7/5/00 (15-18" Deep)
D - MVP, Style After 7/4/00 (14-18" Deep)
E - Includes Front Arm Sockets w/ Hardware (Items 1-3)
F - Part No Longer Available individually. See Part # 1069807 for replacement.

Arms - Foam Grips

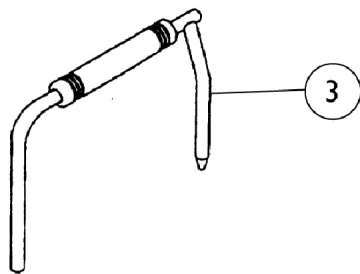
(Before 12/92)



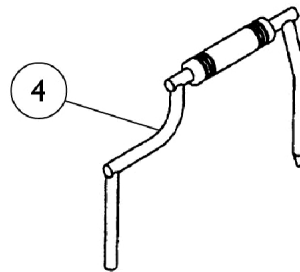
No. 19 Full Length Conventional



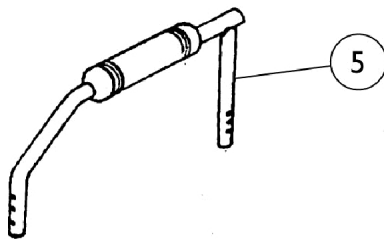
No. 29 Desk Length Conventional



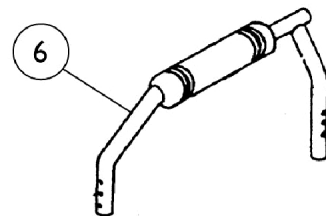
No. 79 Full Length Space-Saver



No. 89 Desk Length Space-Saver



No. 77 Sportster Conventional



No. 99 Sportster Space-Saver

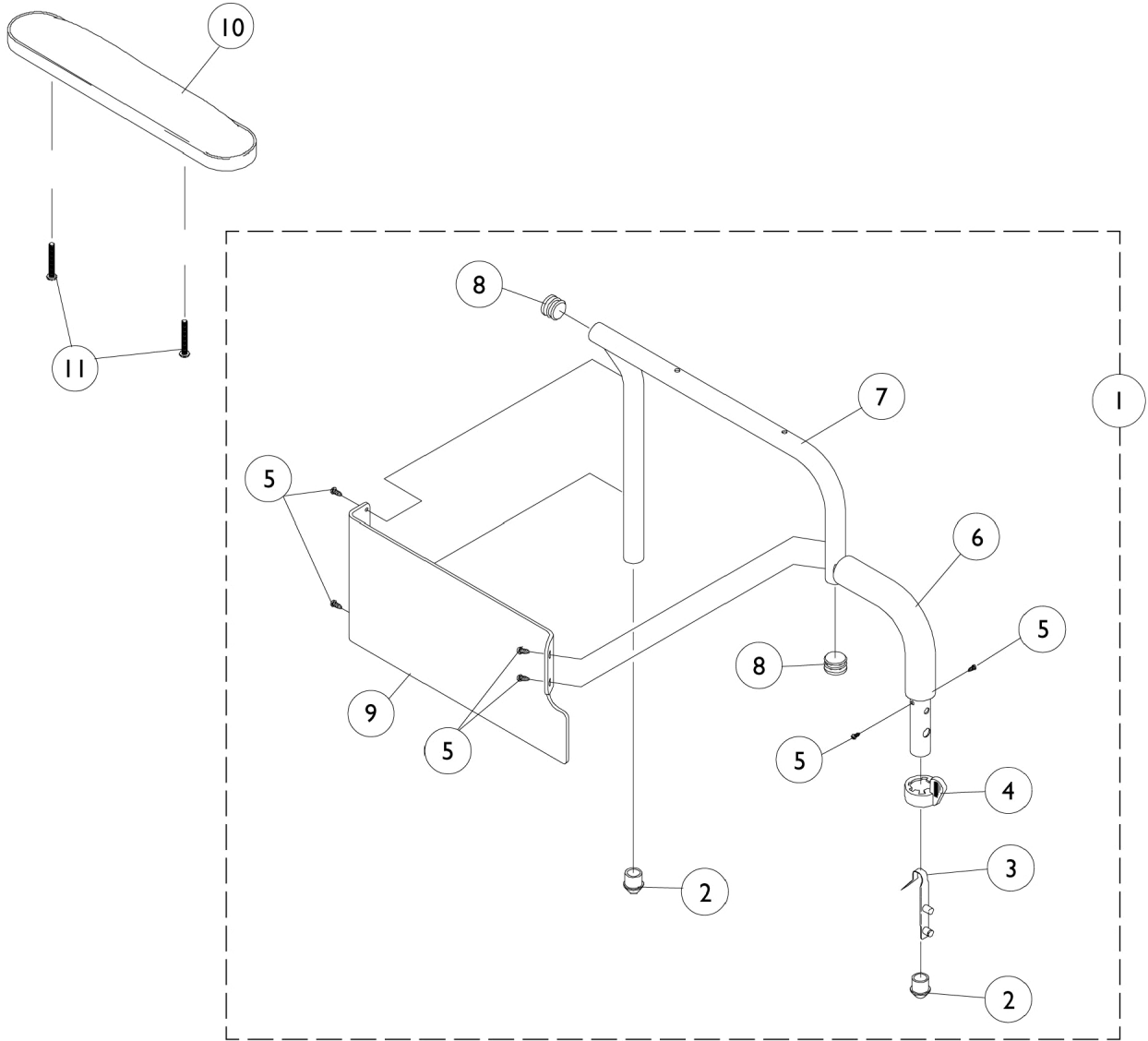
Arms - Foam Grips (Before 12/92)

Item Number	Note	Part Number	Description	Quantity Per	
				Package	Assembly
1		1030202-NLA	NLA - Arm, Conventional, Full Length - Right/ Left	1	1
2		1030210-NLA	NLA - Arm, Conventional, Desk Length - Right/ Left	1	1
3		1030204-NLA	NLA - Arm, Full Length Space-Saver -Right	1	1
3		1030205-NLA	NLA - Arm, Full Length Space-Saver -Left	1	1
4		1030212-NLA	NLA - Arm, Space-Saver, Desk Length - Right	1	1
4		1030213-NLA	NLA - Arm, Space-Saver, Desk Length - Left	1	1
5		1031495-NLA	NLA - Arm, Sportster, Conventional - Right/ Left	1	1
6		1030218-NLA	NLA - Arm, Sportster, Space-Saver - Right	1	1
6		1030219-NLA	NLA - Arm, Sportster, Space-Saver - Left	1	1
7		1032244	Grip, Foam Hand (9" L)	1	1
8		1032245	Grip, Foam Hand (6-7/8" L)	1	1

Fixed Height Arms

After 11/92

Fixed Height arms are only available in desk length



Fixed Height Arms

After 11/92

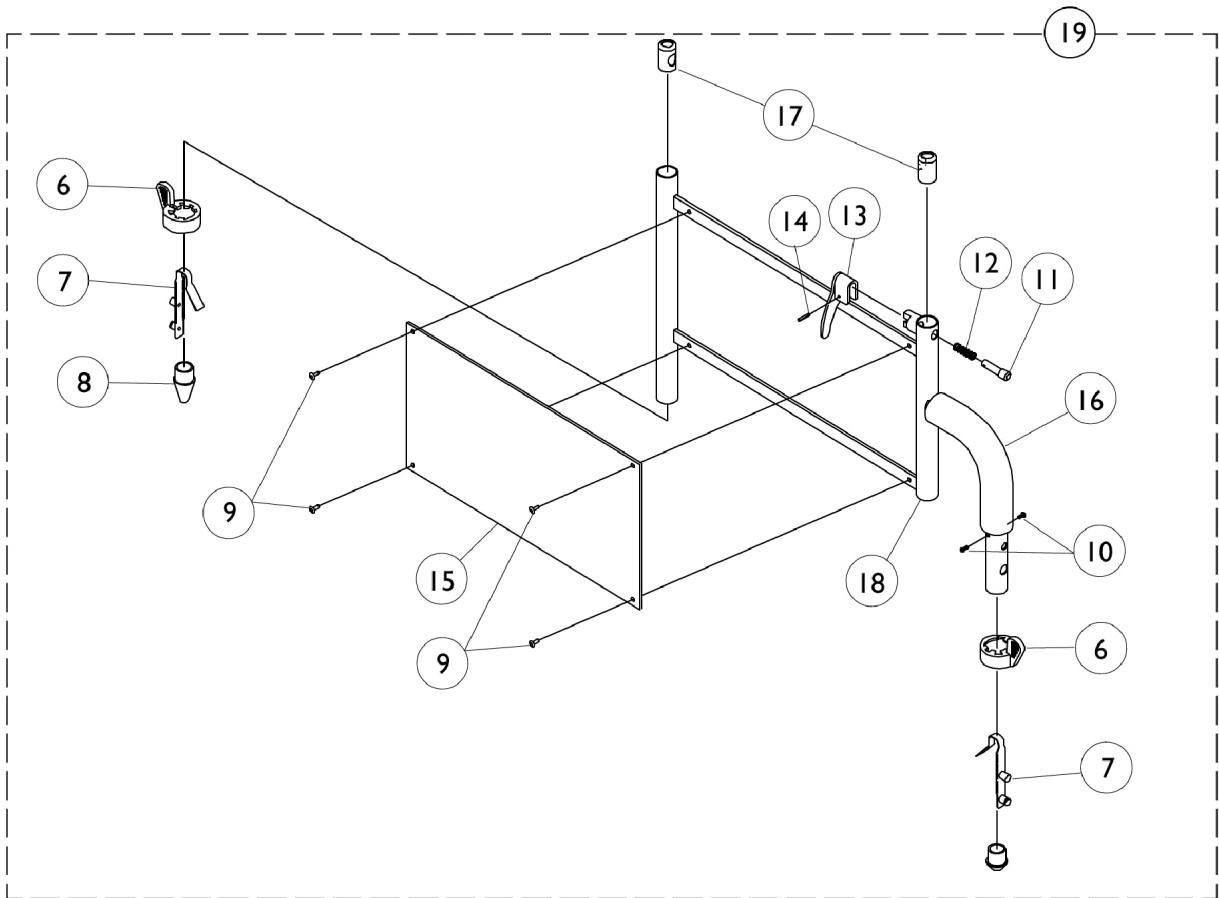
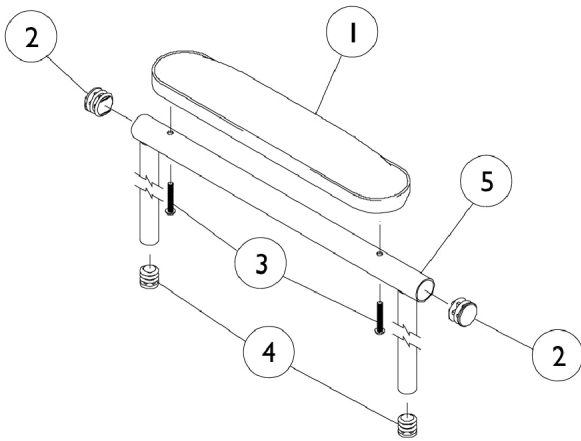
Fixed Height arms are only available in desk length

Item Number	Note	Part Number	Description	Quantity Per	
				Package	Assembly
1	E,I	8881044965-NL A	NLA - Arm, Space-Saver, Desk Length - Right	1	1
1	E,I	8881044966-NL A	NLA - Arm, Space-Saver, Desk Length - Left	1	1
1	F,I,J	8881056986	Arm Assembly, Space-Saver Desk Length w/o Arm Pad, Color - Right	1	1
1	F,I,J	8881056987	Arm Assembly, Space-Saver Desk Length w/o Arm Pad, Color - Left	1	1
1	B,G	8881044815-NL A	NLA - Arm Assembly, Conventional Desk Length w/o Arm Pad, Color - Right	1	1
1	B,G	8881044816-NL A	NLA - Arm Assembly, Conventional Desk Length w/o Arm Pad, Color - Left	1	1
2		1036484	Plug, Armrest, Black (3/4") (18GA)	1	2
3		1018225	Spring, Torsion with Button Lock	1	2
4		1015450	Handle, Quad Release	1	2
5		1020022	Screw, Phillips Pan Head Tap (#6-20 x 3/8")	1	6
6		1037719	Grip, Hand, Foam (6 1/2")	1	1
7		8881038589-NL A	NLA - Tube, Arm, Space-Saver, Desk Length, Color - Right	1	1
7		8881038590-NL A	NLA - Tube, Arm, Space-Saver, Desk Length, Color - Left	1	1
7		8881038587-NL A	NLA - Tube, Arm, Conventional, Desk Length, Color - Right	1	1
7		8881038588-NL A	NLA - Tube, Arm, Conventional, Desk Length, Color - Left	1	1
8		1027097	Plug Button, Black (3/4")	1	2
9	C,H	1117365	Kit, Clothing Guard, Conventional, Desk Length w/ Screws and Decals (Pair)	2	1
9	D,H	1123307	Kit, Clothing Guard, Space Saver, Desk Length w/ Screws and Decals (Pair)	2	1
10	A	8881053570	Kit, Arm Pad w/ Screws, Desk Length (Pair)	2	1
11		40183X002	Screw, Phillips Pan Head (#10-32 x 1-1/8")	1	2

NOTE: A - Specify U67 upholstery color when ordering.
 B - Due to Clothing Guard change, it is recommend (for chairs built Before 10/1/02) when only one Arm is requested the Clothing Guard Kit (p/n 1117365) be ordered also so that the arms will match.
 C - Conventional Arms
 D - Space-Saver Arms
 E - Xtra
 F - MVP and Style
 G - MVP, Style, and Xtra
 H - Clothing Guards are not sold individually. Kit includes Clothing Guards, Screws, and Decals.
 I - Due to Clothing Guard change, it is recommend (for chairs built Before 11/25/03) when only one Arm is requested the Clothing Guard Kit (p/n 1123307) be ordered also so that the arms will match.
 J - Must order the Hand Grip separately

Adjustable Height Arms

After 11/92



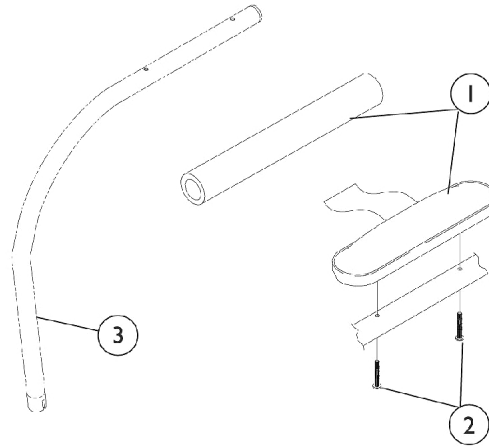
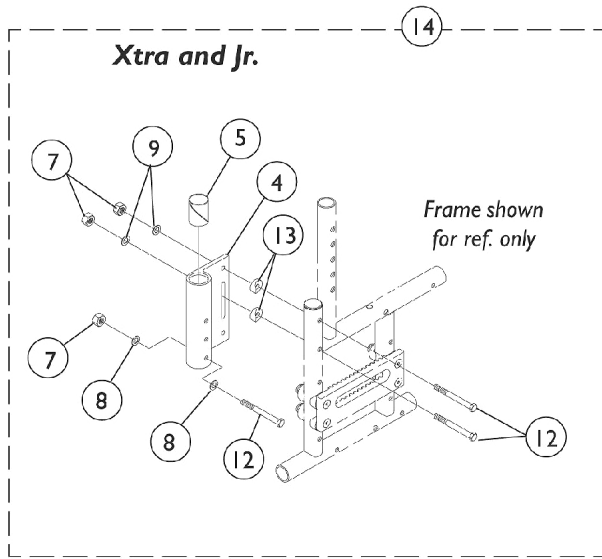
Adjustable Height Arms After 11/92

Item Number	Note	Part Number	Description	Quantity Per	
				Package	Assembly
1	A	8881053570	Kit, Arm Pad w/ Screws, Desk Length (Pair)	2	1
1	A	8881053571	Kit, Arm Pad w/ Screws, Full Length (Pair)	2	1
2		1027095	Plug Button, Black (7/8")	1	2
3		1111714	Package, Screw Phillips Pan Head (#10-32 x 1-1/8")	2	1
4		1035614	Plug Button, Black (5/8")	1	2
5		1038470	Arm Tube Assembly, Conventional w/ Plug Buttons, Desk Length, Black - Right/Left	1	1
5		1068576	Arm Tube Assembly, Conventional w/ Plug Buttons, Full Length, Black - Right/Left	1	1
5		1038462	Armrest Assembly, Space Saver Desk Length, Black - Right	1	1
			Tube, Armrest, Desk, Black - Right	1	1
			Plug Button, Black (7/8")	1	2
			Plug Button, Black (5/8")	1	3
5		1038463	Armrest Assembly, Space Saver Desk Length, Black - Left	1	1
			Tube, Armrest, Desk, Black - Left	1	1
			Plug Button, Black (7/8")	1	2
			Plug Button, Black (5/8")	1	3
5		1038466	Armrest Assembly, Space Saver Full Length, Black - Right	1	1
			Tube, Arm, Black - Right	1	1
			Plug Button, Black (7/8")	1	2
			Plug Button, Black (5/8")	1	3
5		1038467	Armrest Assembly, Space Saver Full Length, Black - Left	1	1
			Tube, Arm, Black - Left	1	1
			Plug Button, Black (7/8")	1	2
			Plug Button, Black (5/8")	1	3
6		1015450	Handle, Quad Release	1	2
7		1018225	Spring, Torsion with Button Lock	1	2
8		1020060	Plug, Arm	1	1
9		1028645	Rivet	1	4
10		1025729	Screw, Phillips Pan Head Tap (#8-32 x 3/8")	1	2
11		47471X068	Pin, Locking	1	1
12		47471X074	Spring, Arm Lock	1	1
13		1090768	Kit, Lock Handle w/Rivets (Pair)	2	1
14		1079151-NLA	NLA - Pin, Roll (5/64 x 5/8")	1	1
15		1064129	Guard, Clothing	1	1
16		1037719	Grip, Hand, Foam (6 1/2")	1	1
17		1036150	Anti-Rattle	1	1
18		1032303-NLA	NLA - Arm Base Assembly, w/o Hardware, Black	1	1
19		1036783	Arm Base Assembly, Conventional Adjustable Height - Right	1	1

Adjustable Height Arms After 11/92

Item Number	Note	Part Number	Description	Quantity Per	
				Package	Assembly
19		1036784	Arm Base Assembly, Conventional Adjustable Height - Left	1	1
19	B,D	1037779-NLA	NLA - Arm Base, Space-Saver, Black - Right	1	1
19	B,D	1037780-NLA	NLA - Arm Base, Space-Saver, Black - Left	1	1
19	C	1048323-NLA	NLA - Arm Base Assembly, Space Saver - Right	1	1
19	C	1048324-NLA	NLA - Arm Base Assembly, Space Saver - Left	1	1
NOTE: A - Specify U67 upholstery color when ordering. B - MVP, Xtra chairs C - Style chairs D - Arm Bases are for 18-21" deep chairs. For 22" deep chairs, arm bases must be ordered through specials.					

Half Arms and Mounting Hardware



Half Arms and Mounting Hardware

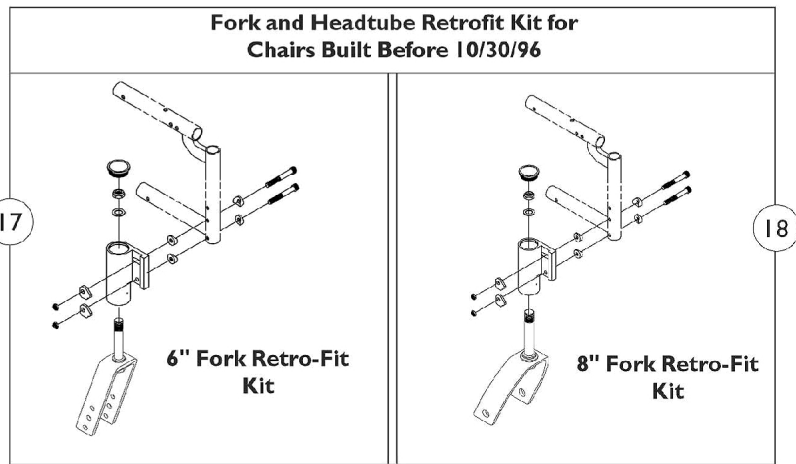
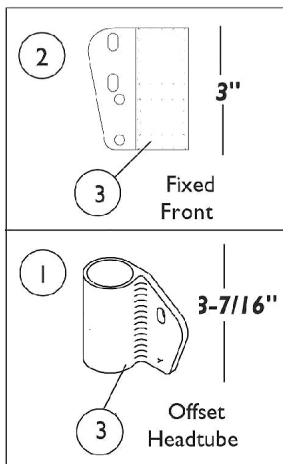
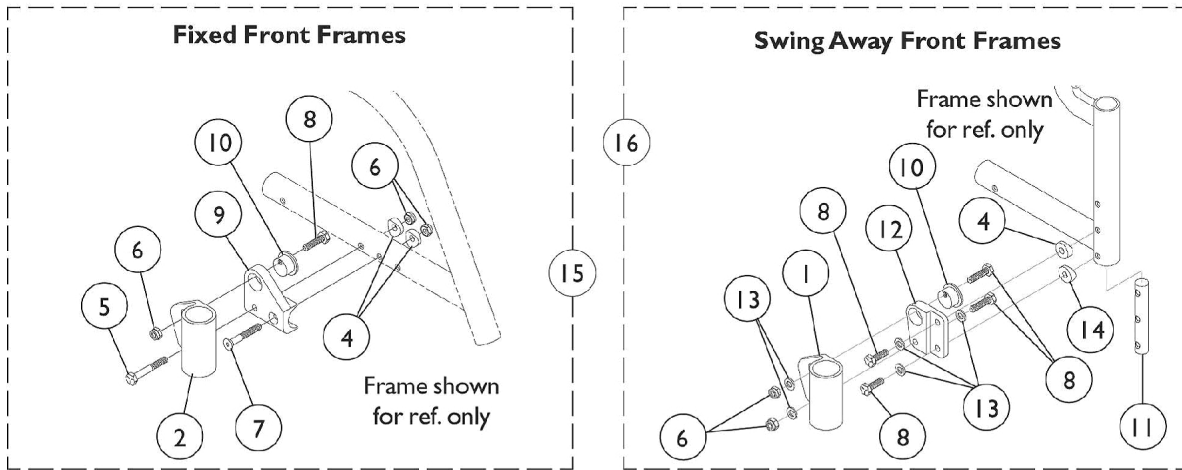
Item Number	Note	Part Number	Description	Quantity Per	
				Package	Assembly
1	A	8881053570	Kit, Arm Pad w/ Screws, Desk Length (Pair)	2	1
1		1032244	Grip, Foam Hand (9" L)	1	1
2		1055205	Package, Screw Phillips Pan Head (#10-32 x 1-3/8")	2	1
3	D	1069815-NLA	NLA - Half Arm Assembly, Black - Right	1	1
3	D	1069816-NLA	NLA - Half Arm Assembly, Black - Left	1	1
	B,C,F	1058362-NLA	NLA - Kit, Half Arm with Foam Arm Pad (Pair)	2	1
	A,B,C, F	1058363-NLA	NLA - Kit, Half Arm with Upholstered Arm Pad (Pair)	2	1
	F	1059656	Instruction Sheet, Half Arms	1	1
3	E	1032202	Half Arm Tube - Right	1	1
3	E	1032203	Half Arm Tube - Left	1	1
4		1032206-NLA	NLA - Socket, Arm, Rear - Right	1	1
4		1032207-NLA	NLA - Socket, Arm, Rear - Left	1	1
5		1018687	Sleeve, Bearing	1	1
6		1055348	Screw, Hex Head (1/4-28 x 1-3/4")	1	1
7		1065362	Locknut (1/4-28)	1	3
8		1026907	Washer (1/4 x 1/2 x 1/16")	1	2
9		1026900	Washer (1/4 x 23/32 x 1/16")	1	2
10		1055349	Screw, Hex Head (1/4-28 x 2")	1	1
11		40157X020	Spacer, Coved (1/4 x 1 x 9/16")	1	2
12		1055298	Screw, Hex Head (1/4-28 x 1-5/8")	1	3
13		1009861	Spacer, Coved (1/4 x 11/16 x 1/2")	1	2
14	D	1027062	Kit, Half Arm Mounting Hardware	2	1
15	E	1032195	Kit, Half Arm Mounting Hardware (Pair)	2	1

NOTE: A - Specify U67 upholstery color when ordering.
 B - Xtra and Jr. - Before 6/95. Half Arm Kits must be ordered for chairs built Before 6/95. Arm pad style info. is required.
 C - Half Arm Kits include items 1-5, 7-9, 12,13, and Instruction Sheet.
 D - Xtra and Jr. - After 5/95
 E - MVP and Style
 F - Not Shown

Caster Headtubes and Hardware

All MVP/Style and Xtra/Jr.

(Built Before 4/03)



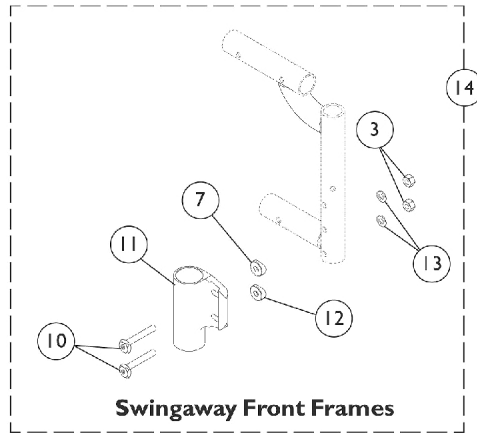
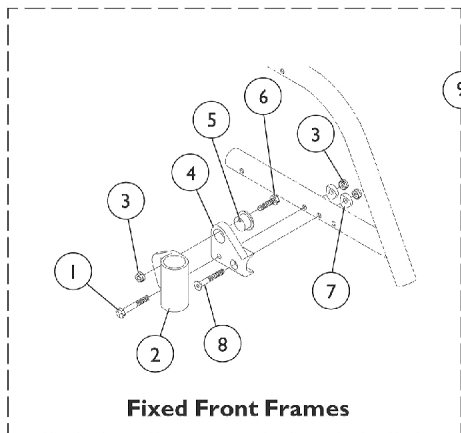
Caster Headtubes and Hardware
All MVP/Style and
Xtra/Jr.
(Built Before 4/03)

Item Number	Note	Part Number	Description	Quantity Per	
				Package	Assembly
1	A	1040764-NLA	NLA - Headtube, Caster, Black - Right	1	1
1	A	1040765-NLA	NLA - Headtube, Caster, Black - Left	1	1
2		1076369-NLA	NLA - Headtube, Caster, Black - Right	1	1
2		1076370-NLA	NLA - Headtube, Caster, Black - Left	1	1
3		40117X021	Bearing (1/2" I.D. x 1-1/8" O.D.)	1	2
4		1026099	Spacer, Coved (1/4 x 11/16 x 1/2")	1	2
5		1055349	Screw, Hex Head (1/4-28 x 2")	1	4
6		1055366	Locknut (1/4-28)	1	6
7		1055332-NLA	NLA - Screw, Socket Flat Head (1/4 -28 x 1-3/4")	1	1
8	B	1055347-NLA	NLA - Screw, Hex Head (1/4-28 x 1-1/2")	1	2
8	C	1055296-NLA	NLA - Screw, Hex Head (1/4-28 x 1")	1	2
9		1040759-NLA	NLA - Bracket, Headtube Adjustment, Black - Right	1	1
9		1040760-NLA	NLA - Bracket, Headtube Adjustment, Black - Left	1	1
10		1040766	Cam, Headtube Adjustment	1	2
11		1056675-NLA	NLA - Nut, Barrel (1/4-28)	1	2
12		1040773	Bracket, Headtube Adjustment, Black - Right	1	1
12		1040774	Bracket, Headtube Adjustment, Black - Left	1	1
13		1026907	Washer (1/4 x 1/2 x 1/16")	1	4
14		1009861	Spacer, Coved (1/4 x 11/16 x 1/2")	1	2
15	D	1046147-NLA	NLA - Kit, Caster Headtubes w/ Hardware (Pair)	1	1
16	E	1042505-NLA	NLA - Headtube Assembly w/ Mounting Hardware, Black (Pair)	1	1
17	F	1065633-NLA	NLA - Kit, Fork Retro-Fit (6") (Pair)	1	1
18	F	1065634-NLA	NLA - Kit, Fork Retro-Fit (8") (Pair)	1	1

NOTE: A - Order Fork and Headtube Retrofit Kits for all Caster Headtubes on Chairs built Before 10/30/96.
B - Chairs with Transport Option
C - Chairs without Transport Option
D - Fixed Front Frame Chairs. Includes items 2, 4-10.
E - Swingaway Front Frame Chairs. Includes items 1,4,6,8, and 10-14.
F - Includes Forks, Headtubes, and All Attaching Hardware.

Caster Headtubes and Hardware

Xtra/Jr.
(Built After 3/03)

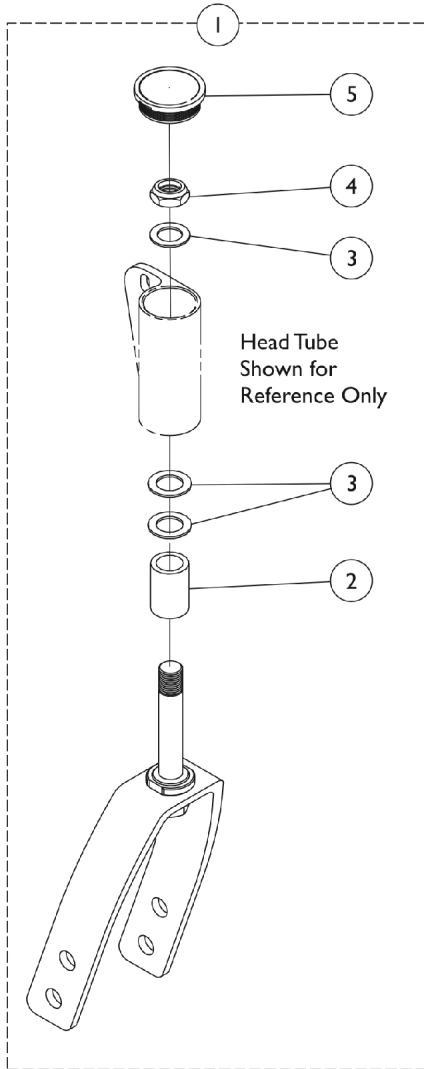


Caster Headtubes and Hardware Xtra/Jr. (Built After 3/03)

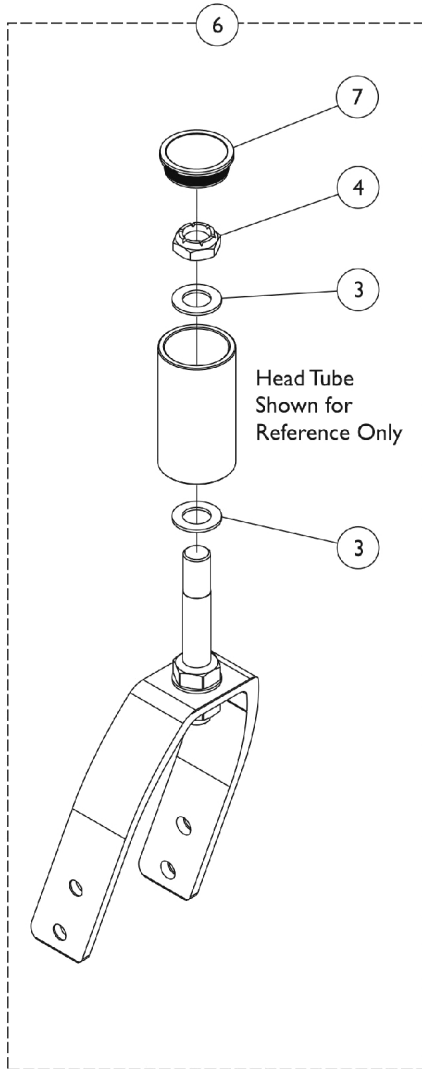
Item Number	Note	Part Number	Description	Quantity Per	
				Package	Assembly
1		1055349	Screw, Hex Head (1/4-28 x 2")	1	2
2		1076369-NLA	NLA - Headtube, Caster, Black - Right	1	1
2		1076370-NLA	NLA - Headtube, Caster, Black - Left	1	1
3		1055366	Locknut (1/4-28)	1	4
4		1040759-NLA	NLA - Bracket, Headtube Adjustment, Black - Right	1	1
4		1040760-NLA	NLA - Bracket, Headtube Adjustment, Black - Left	1	1
5		1040766	Cam, Headtube Adjustment	1	2
6	A	1055296-NLA	NLA - Screw, Hex Head (1/4-28 x 1")	1	2
6	B	1055347-NLA	NLA - Screw, Hex Head (1/4-28 x 1-1/2")	1	2
7		1026099	Spacer, Coved (1/4 x 11/16 x 1/2")	1	4
8		1055332-NLA	NLA - Screw, Socket Flat Head (1/4 -28 x 1-3/4")	1	2
9	C	1046147-NLA	NLA - Kit, Caster Headtubes w/ Hardware (Pair)	1	1
10		1113501	Screw, Eccentric (1/4-28 x 1-11/16")	1	4
11		1113576	Headtube, Caster, Black - Right	1	1
11		1113577	Headtube, Caster, Black - Left	1	1
12		1009861	Spacer, Coved (1/4 x 11/16 x 1/2")	1	4
13		1026907	Washer (1/4 x 1/2 x 1/16")	1	4
14	D	1114704-NLA	NLA - Kit, Caster Headtubes w/ Hardware (Pair)	1	1

NOTE: A - Chairs without Transport Option
B - Chairs with Transport Option
C - Fixed Front Frames. Includes items 1-8.
D - Swingaway Front Frames. Includes items 3,7, & 10-13.

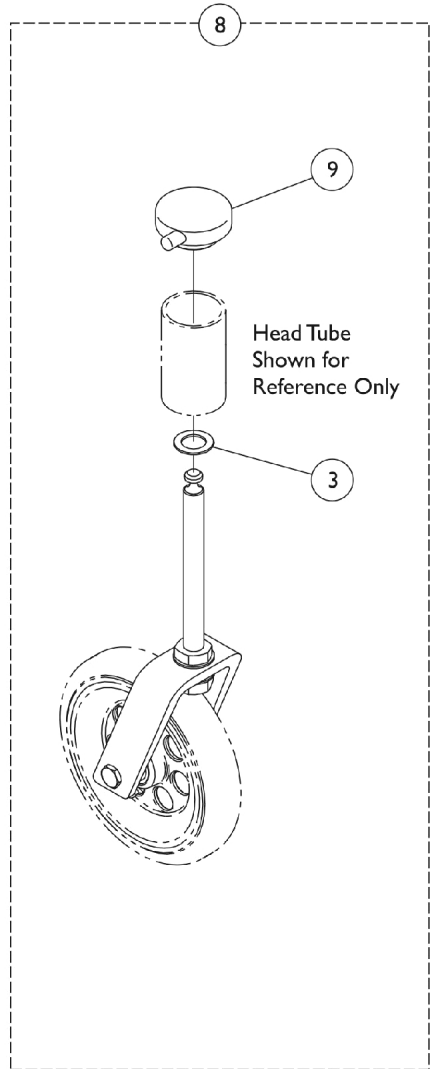
Forks and Hardware (After 6/29/11)



Fork Assembly (Caster Option)
A1103 (AT900)
AT1105 (5ALUM, 51DC, 515DC)
A1106 (61DC, 615DC, 1259)



Fork Assembly Option
A1108 (81DC, 815DC)



Quick Release
Caster Fork

Forks and Hardware (After 6/29/11)

Item Number	Note	Part Number	Description	Quantity Per	
				Package	Assembly
1	A	See Chart	#1 Fork and Stem Assembly w/ Hardware (3, 5, and 6" Caster)	1	1
6	B	See Chart	#6 Fork and Stem Assembly w/ Hardware (8" Caster)	1	1
5		1038353	Plug Button, Headtube, Black	1	1
8	C	1066397-NLA	NLA - Kit, Quick Release Caster Fork -6" Fork for 3-7/16" Offset Caster Headtube	1	1
9		1042044-NLA	NLA - Cap, Head Tube, Quick Release Caster, Black	1	1

NOTE: A - Includes Fork and Stem plus items 2 - 4.
 B - Includes Fork and Stem plus Head Tube mounting hardware items 3 and 4.
 C - Available on 6" casters only. Includes Fork and Stem plus items 3 and 9.

#1 Fork and Stem Assembly w/ Hardware (3, 5, and 6" Caster)

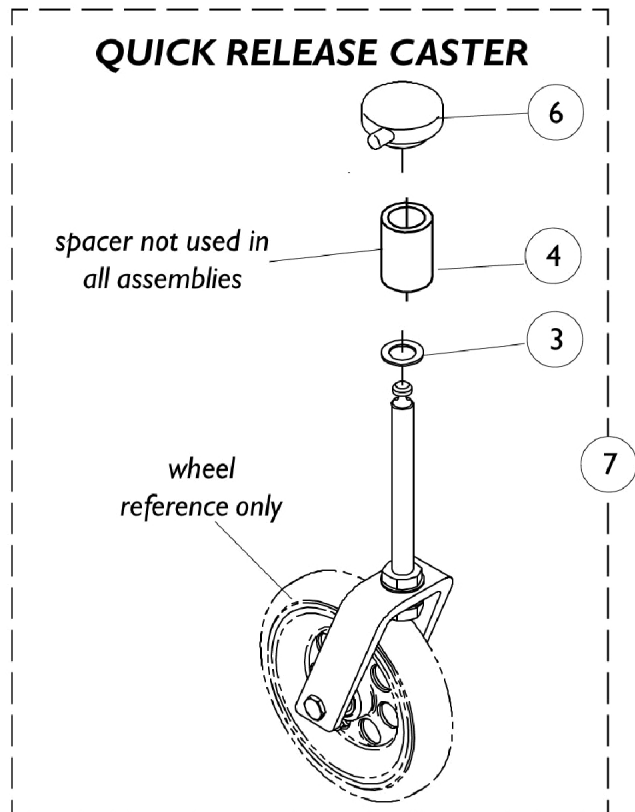
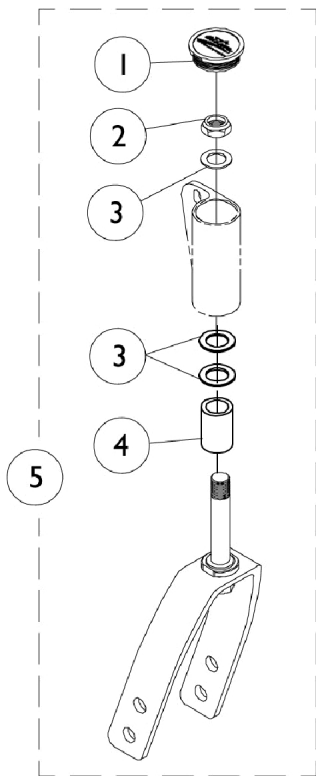
Caster Option	Fork Style	Spacer Size	Seat to Floor Dimension	Part Number (Pair)
AT900	A1103 (3", 1 Hole)	ASP00	15-1/4", 16-1/2"	1065623
AT900	A1103 (3", 1 Hole)	ASP01	16", 17-1/4"	1065624
AT900	A1103 (3", 1 Hole)	ASP02	17-1/4", 18-1/2"	1065625
AT900	A1105 (5", 3 Hole)	ASP00	17-1/2", 18-3/4"	1065626
AT900	A1105 (5", 3 Hole)	ASP01	18-1/2", 19-3/4"	1065627
AT900	A1106 (6", 3 Hole)	ASP00	17-1/4", 18-1/2"	1065628
51DC	A1103 (3", 1 Hole)	ASP00	16, 17-1/4"	1065623
51DC	A1103 (3", 1 Hole)	ASP01	16-3/4, 18" 18-1/2, 19-3/4"	1065624
51DC	A1103 (3", 1 Hole)	ASP02	18, 19-1/4"	1065625
51DC	A1105 (5", 3 Hole)	ASP00	17-1/2", 18-3/4"	1065626
51DC	A1105 (5", 3 Hole)	ASP01	18-1/2", 19-1/4"	1065627
51DC	A1106 (6", 3 Hole)	ASP00	16-1/2", 17-1/4" 17-3/4", 18" 18-1/2", 19-1/4"	1065628
1259 61DC 615DC	A1108 (8", 2 Hole) A1108 (8", 2 Hole) A1108 (8", 2 Hole)	ASP00	18, 19, 19-1/4, 20-1/4" 18-3/4, 19-3/4, 20, 21" 19, 20, 20-1/4, 21-1/4"	1065629

Forks and Hardware (After 6/29/11)

#6 Fork and Stem Assembly w/ Hardware (8" Caster)

Caster Option	Fork Style	Spacer Size	Seat to Floor Dimension	Part Number
81DC	A1108 (8", 2 Hole)	ASP00	18-3/4", 19-3/4" 20", 21"	1174527-NLA
815DC	A1108 (8", 2 Hole)	ASP00	19", 20" 20-1/4", 21-1/4"	1174527-NLA

Forks and Hardware (Before 7/1/11)



Forks and Hardware (Before 7/1/11)

Item Number	Note	Part Number	Description	Quantity Per	
				Package	Assembly
1		1038353	Plug Button, Headtube, Black	1	1
2		1025737	Locknut (1/2-20)	1	1
3		1026174	Washer (1/2 x 7/8 x 3/64")	1	3
4		1046495	Spacer (1/2 x 3/4 x 1")	1	1
4		1026852	Spacer (1/2 x 3/4 x 2")	1	1
5		1065623	Kit, Fork w/ Hardware (3" Caster)	1	1
5		1065624	Kit, Fork w/ Hardware, 1" Extension (3 and 5" Caster)	1	1
5		1065625	Kit, Fork with Hardware and 2" Spacer (3" Caster)	1	1
5		1065626	Kit, Fork w/ Hardware (5" Caster)	1	1
5		1065627	Kit, Fork w/ Hardware, 1" Extension (5 and 6" Caster)	1	1
5		1065628	Kit, Fork w/ Hardware (6 and 6 x 1" Casters)	1	1
5		1065629	Kit, Fork w/ Hardware (6 x 2" and 8" Casters)	1	1
6		1042044-NLA	NLA - Cap, Head Tube, Quick Release Caster, Black	1	1
7		See Chart	#7 Quick Release Caster Forks	1	1

#7 Quick Release Caster Fork Assembly

(Includes Fork w/ Stem and items 3,4, and 6)

Fork Type	2-1/2" Caster Headtube	3" Caster Headtube
3" Quick Release Fork	1066391-NLA	1066384
3" Quick Release Fork w/ 1" Extension	1066392-NLA	1066385-NLA
3" Quick Release Fork w/ 2" Extension	1066393-NLA	1066386-NLA
5" Quick Release Fork	1066394-NLA	1066387-NLA
5" Quick Release Fork w/ 1" Extension	1066395-NLA	1066388-NLA
5" Quick Release Fork w/ 2" Extension	1066396-NLA	1066389-NLA
6" Quick Release Fork	1069162-NLA	1066390-NLA
6" Quick Release Fork 3-7/16" Offset	N/A	1066397-NLA

Casters - Front (Before 7/1/11)

Wheel Style	Wheel Size	Tire Type	Bearing	Bearing Spacer	Caster w/ Bearings	Tire	Tube/ Insert
AT900	3"	Urethane	40117X026	1026172	1032190-NLA	N/A	N/A
5ALUM	5"	Urethane	40117X026	1026172	1026952	N/A	N/A
AT901	5"	Urethane	40117X026	1026172	1029496	N/A	N/A
6ALUM	6"	Urethane	40117X026	1026172	1035206-NLA	N/A	N/A
AT902	6"	Urethane	N/A	N/A	1034352 See Note(s) A	N/A	N/A
6SKYWAY	6"	Urethane	40117X026	1026172	1026956	N/A	N/A
6PNEU	6"	Pneumatic	40117X026	1026172	1044040	1026010-NLA	1026011-NLA
AT903	8"	Urethane	1006049	1020592	1038161	1038157	N/A
AT1228	8 x 1-3/4"	Semi Pneumatic	1006049	1020592	1070811	N/A	N/A
AT1292	8 x 1-1/4"	Pneumatic	1006049	1020592	1009481	40176X040	40176X041
AT1292FF	8 x 1-1/4"	Pneumatic w/ Flat Free	1006049	1020592	1030773	40176X040	1010904-NLA

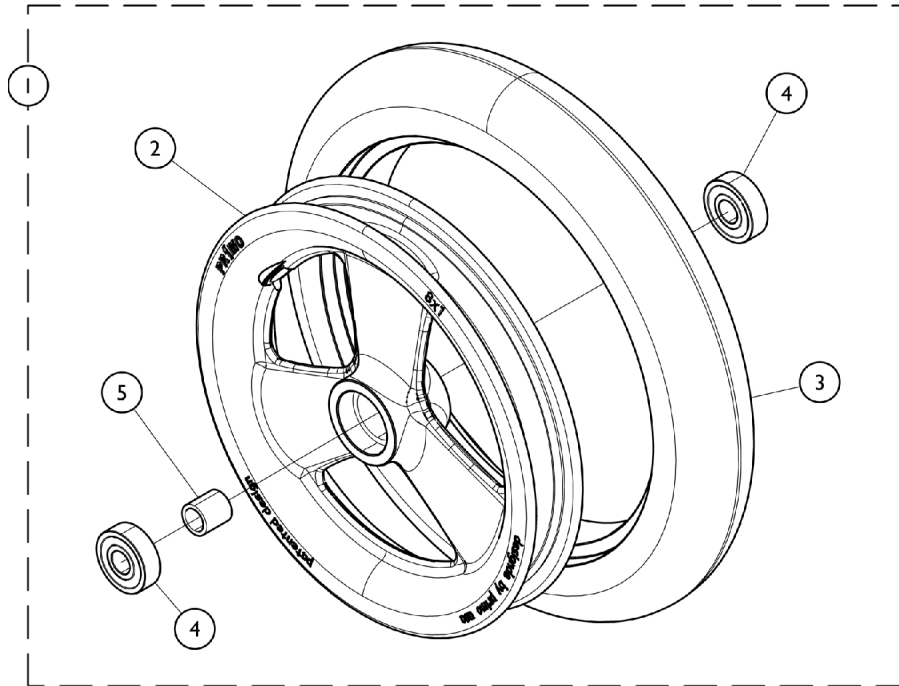
NOTE: A - Consists of (2) Casters.

6" Pneumatic Wheels with Flat-Free Inserts are No Longer Available (NLA). If a customer requires a pair, order a pair of 6" Composite Urethane Wheels. If a customer requires only one 6" Pneumatic Wheel with a Flat-Free insert, you will need to order a pair of 6" Composite Urethane Wheels so that both front wheels will match.

Casters - Front (After 6/29/11)

Standard Caster Components

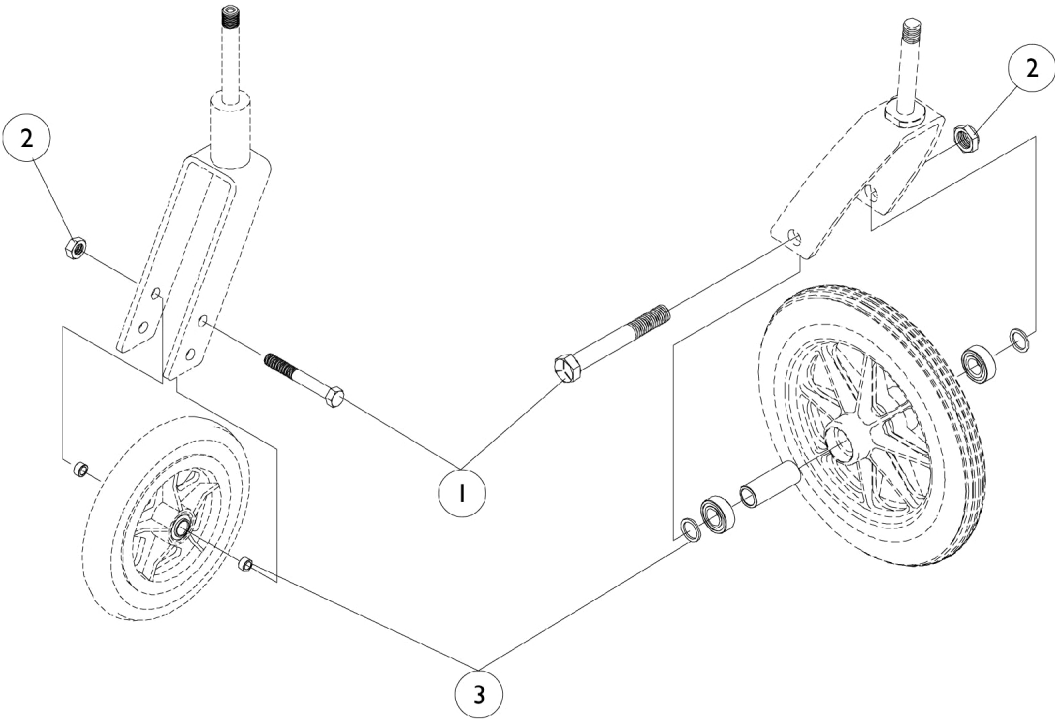
(Some Components may not be available as Stand Alone Service Parts)



Wheel Style	Wheel Size	Tire Type	Item 1 Caster Wheel Assembly	Item 2 Wheel	Item 3 Tire	Item 4 Bearing	Item 5 Bearing Spacer
AT900	3"	Urethane	1032190-NLA	N/A	N/A	40117X026	1026172
51DC	5 x 1"	Urethane	1169260	N/A	N/A	N/A	N/A
61DC	6 x 1"	Urethane	1164314	N/A	N/A	N/A	N/A
615DC	6 x 1-1/2"	Urethane	1164313	N/A	N/A	N/A	N/A
1259 (After 8/14/03)	6 x 2" Deep Profile	Semi Pneumatic	1072014	N/A	N/A	1006049	1020592
81DC	8 x 1"	Urethane	1164315	N/A	N/A	N/A	N/A
815DC	8 x 1-1/2"	Urethane	1164316	N/A	N/A	N/A	N/A

NOTE: Caster Wheel Assembly includes Wheel, Tire, Bearings (2), and Bearing Spacer.

Casters - Front Mounting Hardware (Before 7/1/11)



Casters - Front Mounting Hardware (Before 7/1/11)

Wheel Style	Wheel Size	Tire Type	#1 Axle	#2 Locknut	#3 Axle Spacer
Composite	3"/5"/6"	Urethane	1026908	1025730	1026160
Aluminum	5"/6"	Urethane	1026908	1025730	1026160
Composite	6"	Urethane	1026908	1025730	1026160
Composite	6"	Semi-Pneumatic	1026908	1025730	1026160
Composite	6"	Pneumatic	1026908	1025730	1028539
Composite	8"	Urethane	1025726	1025734	1025724
Composite	8"	Pneumatic	1025726	1025734	1025724

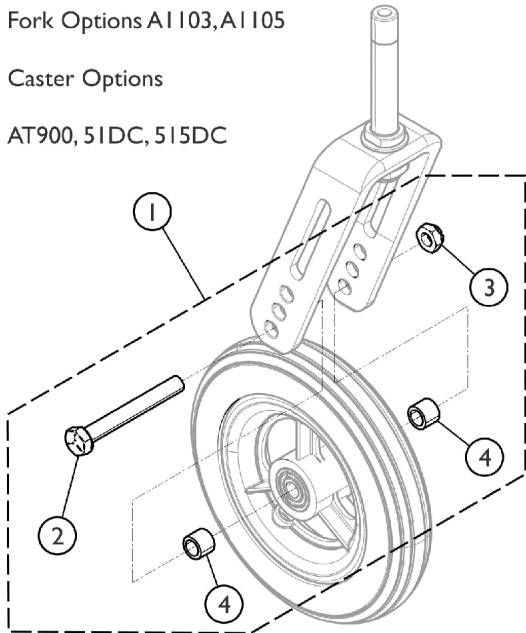
Casters - Front Mounting Hardware (After 6/29/11)

Caster Mounting Hardware

Fork Options A1103, A1105

Caster Options

AT900, 51DC, 515DC

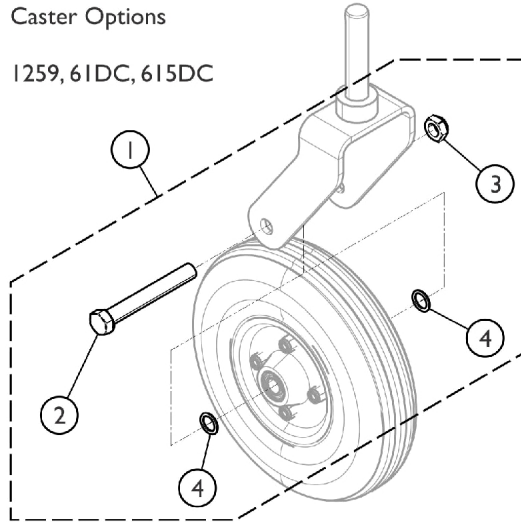


Caster Mounting Hardware

Fork Options A1106

Caster Options

1259, 61DC, 615DC

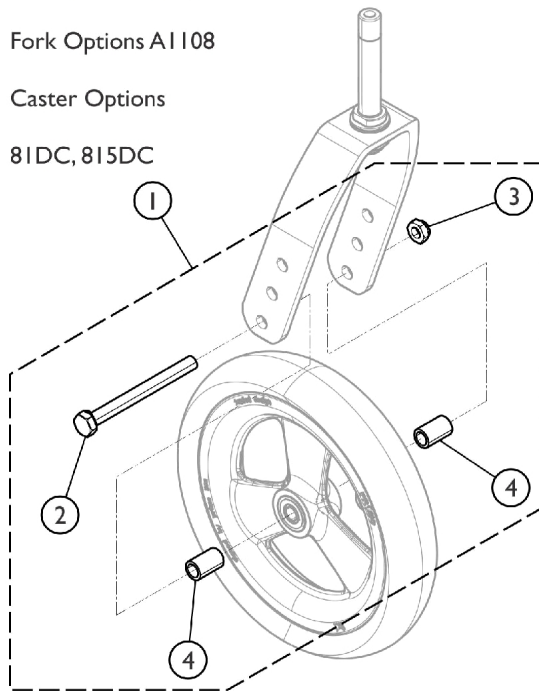


Caster Mounting Hardware

Fork Options A1108

Caster Options

81DC, 815DC

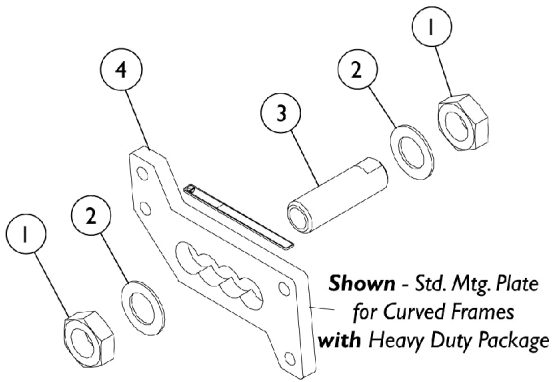


SCM_014A

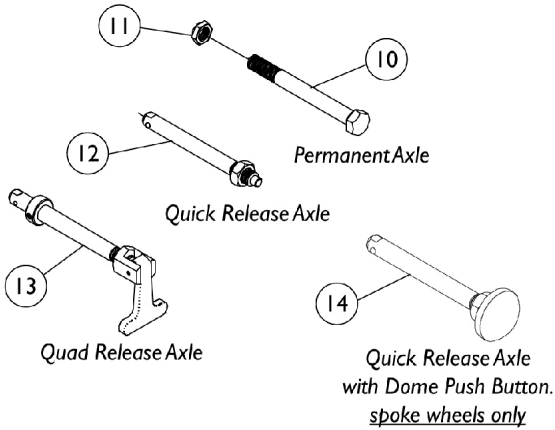
Casters - Front Mounting Hardware (After 6/29/11)

Fork Option	Caster Option	Item 1 Caster Hardware	Item 2 Axle	Item 3 Locknut	Item 4 Axle Spacer
A1103	AT900	1026926-NLA	1026908	1025730	1026160
A1105	51DC 515DC	1026926-NLA	1026908	1025730	1026160
A1106	61DC	1189601 See Note(s) A	1025764	1025730	1026102
A1106	615DC	1026360	1026908	1025730	1026160
A1108	1259	1042489 See Note(s) B	1025726	1025734	1025724
A1108	81DC 815DC	1161851-NLA	N/A	N/A	N/A
NOTE: A - This part number sold as a Pair. B - Caster Hardware #1042489 accommodates 1 side only.					

Axle & Axle Mounting Plates



**Shown - Std. Mtg. Plate
for Curved Frames
with Heavy Duty Package**

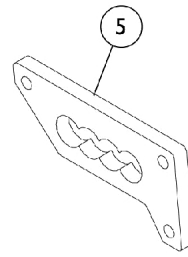


Permanent Axle

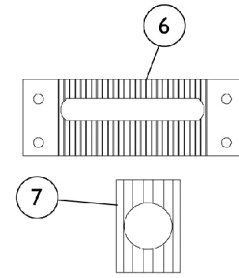
Quick Release Axle

Quad Release Axle

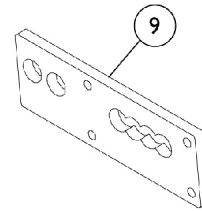
*Quick Release Axle
with Dome Push Button.
spoke wheels only*



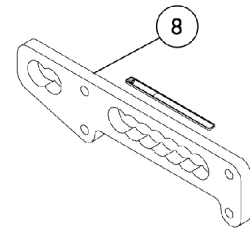
*Standard Mounting Plate
for Curved Frames*



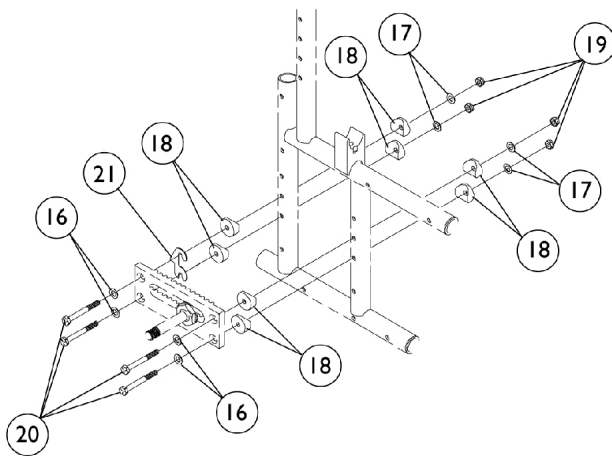
*Standard Mounting Plate
for Square and Extended
Frames*



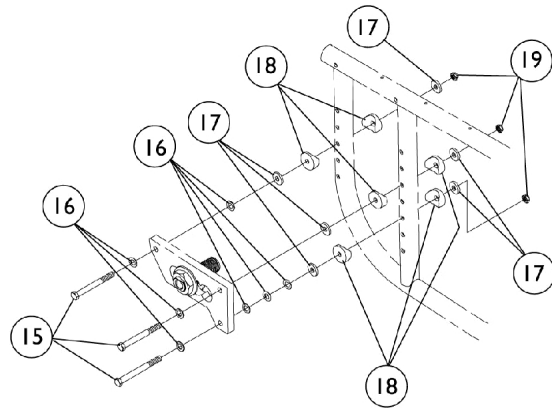
*Extended Mounting Plate
for Curved Frames*



*Extended Mounting Plate
for Square and Extended
Frames*



**Axle Mounting Plate Hardware
Square and Extended Frames**



**Axle Mounting Plate Hardware
Curved Frames**

Axle & Axle Mounting Plates

Item Number	Note	Part Number	Description	Quantity Per	
				Package	Assembly
1		1044945	Nut, Hex (3/4-16)	1	2
2		1025701	Washer, Steel (3/4 x 1-1/4 x 1/16")	1	2
3	D	1025756	Bushing, Axle, Quick Release/Permanent (1-7/8")	1	1
3	E	1026178	Bushing, Axle (2-1/2")	1	1
3		1043488-NLA	NLA - Bushing, Axle (2-1/8")	1	1
4	F	1107530-NLA	NLA - Plate, Axle Mounting	1	1
5	G	1024676	Plate, Axle Mounting	1	1
6	H	1008056	Plate, Axle Mounting	1	1
7		1026098	Bracket, Alignment, Black	1	1
8	H	1069014-NLA	NLA - Plate, Axle Mounting (Extended)	1	1
9	G	1035699-NLA	NLA - Plate, Extended Axle Mounting	1	1
10		1049227	Screw, Hex Head (1/2-20 x 5-1/4")	1	1
11		1025737	Locknut (1/2-20)	1	1
12	I	1026930-NLA	NLA - Axle, Quick Release (1/2 x 4-1/2")	1	1
12	J	1040361	Axle, Quick Release w/ Locknut (1/2" x 5")	1	1
13		1043487-NLA	NLA - Axle, Quad Release	1	1
14	K	1068038-NLA	NLA - Axle, Quick Release (Dome)	1	1
14	L	1113049	Axle, Quick Release w/ Dome Button, Black	1	1
14	M	1065303	Axle, Quick Release w/ Flat Button, Black	1	1
15		1055351-NLA	NLA - Screw, Hex Head (1/4-28 x 2-1/2")	1	3
16		1026907	Washer (1/4 x 1/2 x 1/16")	1	4
17		1026900	Washer (1/4 x 23/32 x 1/16")	1	6
18		40157X020	Spacer, Coved (1/4 x 1 x 9/16")	1	8
19		1065362	Locknut (1/4-28)	1	4
20		1055350	Screw, Hex Head (1/4-28 x 2-1/4")	1	4
21	N	1025753-NLA	NLA - Shim	1	1
		1027867-NLA	NLA - Kit, Shim Alignment w/ Instructions (Pair)	1	1
	A,B,H	1107512	Hardware, Axle Mounting Plate (Pair)	2	1
	A,C,G	1107502	Hardware, Axle Mounting Plate (Pair)	2	1

NOTE: A - Not Shown
 B - Includes Items 16-20
 C - Includes Items 15-19
 D - Before 9/94.
 E - After 8/94.
 F - Curved Rear Frames w/ Heavy Duty Package
 G - Curved Rear Frames - Standard Duty
 H - Square and Extended Rear Frames
 I - Chairs built Before 9/94
 J - Chairs built After 8/94
 K - Q.R. Axle (1068038) had an Anodized Dome finish. Q.R. Axle part no. 1113049, w/ Black dome button, can be used as a replacement but may want to replace in pairs due to aesthetics.
 L - Used on all Spoke Rear Wheels except SPIN24, SPIN25, and SPIN26
 M - Used on SPIN24, SPIN25, and SPIN26 Spoke Rear Wheels
 N - No longer available individually. Order the Shim Alignment Kit part #1027867 as a replacement.

Composite Rear Wheels (without Handrims)

Wheel Style	Wheel Size	Tire Type	Wheel w/o Handrim	Tire	Tube/ Insert	Bearing	Hub Spacer
20COM	20" x 1-3/8"	Pneumatic	1026422	1017519	1017520	40117X022	1015756
20COM	20" x 1-3/8"	Pneumatic w/ Flat Free	1026423	1017519	1023322	40117X022	1015756
20COM	20" x 1-1/4"	Urethane	1038364	1037774	N/A	40117X022	1015756
22COM	22" x 1-1/4"	Urethane	1032116	1028250	N/A	40117X022	1015756
22COM	22" x 1-3/8"	Pneumatic	1026420	1018544	1018545	40117X022	1015756
22COM	22" x 7/8"	Pneumatic w/ Flat Free	1026421	1018544	1023323	40117X022	1015756
24COM7	24" x 1-1/4"	Urethane	1032118	1026904	N/A	40117X022	1015756
24COM7	24"	KIK	1091330	1062852	N/A	40117X022	1015756
24COM7	24" x 1-3/8"	Pneumatic	1026362-NLA	40176X060	40176X061	40117X022	1015756
24COM7	24" x 1-3/8"	Pneumatic w/ Flat Free	1026363	40176X060	1010906	40117X022	1015756
3SCF	25"	Primo	1064552-NLA See Note(s) A	1044947	1029471	N/A	N/A

NOTE: A - The 3 Spoke Carbon Fiber Wheel comes with the Handrim already attached.

Spoke Rear Wheels (w/o Handrims) (After 9/1/11)

Item Number	Note	Part Number	Description	Quantity Per	
				Package	Assembly
	A	1030936	Plug, Valve Stem	1	1
	A	See Chart	Wheels without Handrims - Spoke	1	1

NOTE: A - Not Shown

Wheel Style	Wheel Size	Tire Type	Wheel Assembly	Tire	Tube Insert	Bearing	Hub Spacer
20ITESPK	20"	Pneumatic	1176797	1017519	1017520	N/A	N/A
20ITESPK	20"	Pneumatic w/ Flat Free	1176798	1017519	1023322	N/A	N/A
22ITESPK	22"	Pneumatic	1176799-NLA	1018544	1018545	N/A	1015756
22ITESPK	22"	Pneumatic w/ Flat Free	1176800-NLA	1018544	1023323	N/A	N/A
24SP	24"	Continental	1116705-NLA See Note(s) C	1026139-NLA	N/A	40117X021	1015756
24SP	24"	Pneumatic	1115660 See Note(s) C	40176X060	40176X061	40117X021	1015756
24SP	24"	Pneumatic w/ Flat Free	1116707 See Note(s) A, C	40176X060	1010906	40117X021	1015756
24ITESPK	24"	Pneumatic	1176802	1026138	1032240	N/A	N/A
24SP	24"	KIK	1114112 See Note(s) C	1062852	N/A	40117X021	1015756
24HPS	24"	Continental	1116713-NLA See Note(s) C	1026139-NLA	N/A	40117X021	1015756
24HPS	24"	Pneumatic	1116709-NLA See Note(s) C, E	40176X060	40176X061	40117X021	1015756
24HPS	24"	Pneumatic (Pair)	1116710	40176X060	40176X061	40117X021	1015756
24HPS	24"	Pneumatic w/ Flat Free	1116715 See Note(s) A, C	40176X060	1010906	40117X021	1015756
24HPS	24"	Primo	1116711 See Note(s) C	1026138	1032240	40117X021	1015756
24HPS	24"	KIK	1114138 See Note(s) C	1062852	N/A	40117X021	1015756
SPIN24	24"	Primo (Single #)	1112338-NLA See Note(s) B, D	1026138	1105941	40117X021	N/A
SPIN24	24"	Primo (1 Pair)	1112353-NLA See Note(s) B, D	1026138	1105941	1104350	N/A
559TS	25"	Primo	1116717-NLA See Note(s) C	1044947	1029471	40117X021	1015756
SPIN25	25"	Primo (Single #)	1112348-NLA See Note(s) B, D	1044947	1104326	1104350	N/A
SPIN25	25"	Primo (1 Pair)	1112354-NLA See Note(s) B, D	1044947	1104326	1104350	N/A

Spoke Rear Wheels (w/o Handrims) (After 9/1/11)

Wheel Style	Wheel Size	Tire Type	Wheel Assembly	Tire	Tube Insert	Bearing	Hub Spacer
26HPS	26"	Continental	1115653-NLA See Note(s) C	1026143-NLA	N/A	40117X021	1015756
26HPS	26"	Pneumatic	1115652-NLA See Note(s) C, F	1026142	1026140	40117X021	1015756
26HPS	26"	Pneumatic	1116725-NLA	N/A	N/A	N/A	N/A
26HPS	26"	Primo	1115654 See Note(s) C	1029470	1029471	40117X021	1015756
SPIN26	26"	Primo (Single #)	1112343-NLA See Note(s) B, D	1029470	1104326	1104350	N/A
SPIN26	26"	Primo (1 Pair)	1112355-NLA See Note(s) B, D	1029470	1104326	1104350	N/A
26SP	26"	Continental	1116721-NLA See Note(s) C	1026143-NLA	N/A	40117X021	1015756
26SP	26"	Pneumatic	1116719-NLA See Note(s) C	1026142	1026140	40117X021	1015756
26SP	26"	Primo	1116723-NLA See Note(s) C	1029470	1029471	40117X021	1015756
700SP	27"	Umma Gumma	1116727-NLA See Note(s) C	1045836-NLA	1045837-NLA	40117X021	1015756

NOTE: A - Stem Hole Plugs (Part Number 1030936) are used with Flat Free and Urethane Tires.
 B - As of 7/15/02 Spinergy Wheels now have 18 spokes instead of 30. For chairs built Before 7/15/02, it is recommended when one wheel is requested that the wheels be replaced in pairs.
 C - As of 11/08/02 these wheels now have a Black finish. For chairs built Before 11/08/02, it is recommended when one wheel is requested that the wheels be replaced in pairs.
 D - As of 11/17/08 Spinergy Wheels changed from black spoke, black hub to a black spoke, silver hub appearance. For chairs built Before 11/17/08, it is recommended when one wheel is requested that the wheels be replaced in pairs.
 E - Wheels must be replaced in pairs. See Part number 1116710 for replacement.
 F - No longer available as an individual service part. Wheel must be replaced in pairs, use 1116725 as its replacement.

Spoke Rear Wheels (w/o Handrims) (Before 9/2/11)

Wheel Style	Wheel Size	Tire Type	Wheel Assembly	Tire	Tube Insert	Bearing	Hub Spacer
20SP	20 x 1-3/8"	Pneumatic	1115585-NLA See Note(s) C	1017519	1017520	40117X021	1015756
20SP	20 x 1-3/8"	Pneumatic w/ Flat Free	1115589-NLA See Note(s) A, C	1017519	1023322	40117X021	1015756
22SP	22 x 1-3/8"	Pneumatic	1115656-NLA See Note(s) C	1018544	1018545	40117X021	1015756
22SP	22 x 1-3/8"	Pneumatic w/ Flat Free	1115658-NLA See Note(s) A, C	1018544	1023323	40117X021	1015756
24SP	24"	Continental	1116705-NLA See Note(s) C	1026139-NLA	N/A	40117X021	1015756
24SP	24"	Pneumatic	1115660 See Note(s) C	40176X060	40176X061	40117X021	1015756
24SP	24"	Pneumatic w/ Flat Free	1116707 See Note(s) A, C	40176X060	1010906	40117X021	1015756
24SP	24"	Primo	1115662-NLA See Note(s) C	1026138	1032240	40117X021	1015756
24SP	24"	KIK	1114112 See Note(s) C	1062852	N/A	40117X021	1015756
24HPS	24"	Continental	1116713-NLA See Note(s) C	1026139-NLA	N/A	40117X021	1015756
24HPS	24"	Pneumatic	1116709-NLA See Note(s) C, E	40176X060	40176X061	40117X021	1015756
24HPS	24"	Pneumatic (Pair)	1116710	40176X060	40176X061	40117X021	1015756
24HPS	24"	Pneumatic w/ Flat Free	1116715 See Note(s) A, C	40176X060	1010906	40117X021	1015756
24HPS	24"	Primo	1116711 See Note(s) C	1026138	1032240	40117X021	1015756
24HPS	24"	KIK	1114138 See Note(s) C	1062852	N/A	40117X021	1015756
SPIN24	24"	Primo (Single #)	1112338-NLA See Note(s) D, B	1026138	1105941	40117X021	N/A
SPIN24	24"	Primo (1 Pair)	1112353-NLA See Note(s) D, B	1026138	1105941	1104350	N/A
559TS	25"	Primo	1116717-NLA See Note(s) C	1044947	1029471	40117X021	1015756
SPIN25	25"	Primo (Single #)	1112348-NLA See Note(s) D, B	1044947	1104326	1104350	N/A
SPIN25	25"	Primo (1 Pair)	1112354-NLA See Note(s) D, B	1044947	1104326	1104350	N/A
26HPS	26"	Continental	1115653-NLA See Note(s) C	1026143-NLA	N/A	40117X021	1015756
26HPS	26"	Pneumatic	1115652-NLA See Note(s) F, C	1026142	1026140	40117X021	1015756
26HPS	26"	Pneumatic	1116725-NLA	N/A	N/A	N/A	N/A

Spoke Rear Wheels (w/o Handrims) (Before 9/2/11)

Wheel Style	Wheel Size	Tire Type	Wheel Assembly	Tire	Tube Insert	Bearing	Hub Spacer
26HPS	26"	Primo	1115654 See Note(s) C	1029470	1029471	40117X021	1015756
SPIN26	26"	Primo (Single #)	1112343-NLA See Note(s) D, B	1029470	1104326	1104350	N/A
SPIN26	26"	Primo (1 Pair)	1112355-NLA See Note(s) D, B	1029470	1104326	1104350	N/A
26SP	26"	Continental	1116721-NLA See Note(s) C	1026143-NLA	N/A	40117X021	1015756
26SP	26"	Pneumatic	1116719-NLA See Note(s) C	1026142	1026140	40117X021	1015756
26SP	26"	Primo	1116723-NLA See Note(s) C	1029470	1029471	40117X021	1015756
700SP	27"	Umma Gumma	1116727-NLA See Note(s) C	1045836-NLA	1045837-NLA	40117X021	1015756

NOTE: A - Stem Hole Plugs (Part Number 1030936) are used with Flat Free and Urethane Tires.
 B - As of 7/15/02 Spinergy Wheels now have 18 spokes instead of 30. For chairs built Before 7/15/02, it is recommended when one wheel is requested that the wheels be replaced in pairs.
 C - As of 11/08/02 these wheels now have a Black finish. For chairs built Before 11/08/02, it is recommended when one wheel is requested that the wheels be replaced in pairs.
 D - As of 11/17/08 Spinergy Wheels changed from black spoke, black hub to a black spoke, silver hub appearance. For chairs built Before 11/17/08, it is recommended when one wheel is requested that the wheels be replaced in pairs.
 E - Wheels must be replaced in pairs. See Part number 1116710 for replacement.
 F - No longer available as an individual service part. Wheel must be replaced in pairs, use 1116725 as its replacement.

Spoke Rear Wheels (w/o Handrims) (Before 9/2/11)

Item Number	Note	Part Number	Description	Quantity Per	
				Package	Assembly
	A	1030936	Plug, Valve Stem	1	1
	A	See Chart	Wheels without Handrims - Spoke	1	1

NOTE: A - Not Shown

Spoke Rear Wheels (w/ Handrims) (After 9/1/11)

Wheel Style	Tire Type	Anodized Aluminum	Grey Plastic Coated	Black Plastic Coated	8 Vertical Projection	8 Oblique Projection
20ITESPK	Pneumatic	1176796	N/A	N/A	N/A	N/A
20SP	Pneumatic w/ Flat Free	1115586 See Note(s) B	1049450-NLA	1115424-NLA See Note(s) B	N/A	N/A
22ITESPK	Pneumatic	1176801	N/A	N/A	N/A	N/A
22SP	Pneumatic with Flat Free	1115590-NLA See Note(s) B	1049456-NLA	1115593 See Note(s) B	1115426-NLA See Note(s) B	N/A
24SP	Pneumatic	1115594-NLA See Note(s) B	1049460-NLA	1115599 See Note(s) B	1115427-NLA See Note(s) B	1115428-NLA See Note(s) B
24SP	Pneumatic with Flat Free	1115597 See Note(s) B	1049465-NLA	1115601 See Note(s) B	1115429-NLA See Note(s) B	1115430-NLA See Note(s) B
24SP	Primo	1115602-NLA See Note(s) B	1049470-NLA	1115603-NLA See Note(s) B	1115431-NLA See Note(s) B	1115432-NLA See Note(s) B
24SP	Continental	1115606-NLA See Note(s) B	1049475-NLA	1115607-NLA See Note(s) B	1115433-NLA See Note(s) B	1115434-NLA See Note(s) B
24SP	KIK	1115645 See Note(s) B	1091332-NLA	1115646 See Note(s) B	1115447-NLA See Note(s) B	1115448-NLA See Note(s) B
24HPS	Pneumatic	1115622 See Note(s) B	1049496-NLA	1115623-NLA See Note(s) B	1115439-NLA See Note(s) B	N/A
24HPS	Pneumatic with Flat Free	1115625-NLA See Note(s) B	1049500-NLA	1115626-NLA See Note(s) B	1115440-NLA See Note(s) B	N/A
24HPS	Primo	1115628 See Note(s) B	1049504-NLA	1115629 See Note(s) B	1115441-NLA See Note(s) B	N/A
24HPS	Continental	1115631-NLA See Note(s) B	1049508-NLA	1115632-NLA See Note(s) B	1115442-NLA See Note(s) B	N/A
24HPS	KIK	1115649 See Note(s) B	1091337-NLA	1115650 See Note(s) B	1115449-NLA See Note(s) B	N/A
SPIN24	Primo	1112339 See Note(s) C, A	N/A	N/A	N/A	N/A
559TS	Primo	1115610 See Note(s) B	1049480-NLA	1115611-NLA See Note(s) B	1115435-NLA See Note(s) B	N/A
SPIN25	Primo	1112349-NLA See Note(s) C, A	N/A	N/A	N/A	N/A
26SP	Pneumatic	1115613-NLA See Note(s) B	1049484-NLA	1115614-NLA See Note(s) B	1115436-NLA See Note(s) B	N/A
26SP	Primo	1115616-NLA See Note(s) B	1049488-NLA	1115617-NLA See Note(s) B	1115437-NLA See Note(s) B	N/A
26SP	Continental	1115619-NLA See Note(s) B	1049492-NLA	1115620-NLA See Note(s) B	1115438-NLA See Note(s) B	N/A
26HPS	Pneumatic	1115636-NLA See Note(s) B	1049555-NLA	1115637 See Note(s) B	1115444-NLA See Note(s) B	N/A
26HPS	Primo	1115639-NLA See Note(s) B	1049559-NLA	1115640 See Note(s) B	1115445-NLA See Note(s) B	N/A
SPIN26	Primo See Note(s) A	1112344-NLA See Note(s) A, C	N/A	N/A	N/A	N/A

Spoke Rear Wheels (w/ Handrims) (After 9/1/11)

Wheel Style	Tire Type	Anodized Aluminum	Grey Plastic Coated	Black Plastic Coated	8 Vertical Projection	8 Oblique Projection
700SP	Umma Gumma	1115634 See Note(s) B	1049553-NLA	N/A	N/A	N/A

NOTE: A - As of 7/15/02 Spinergey Wheels now have 18 spokes instead of 30. For chairs built Before 7/15/02, it is recommended when one wheel is requested that the wheels be replaced in pairs.
 B - As of 11/8/02 these wheels now have a Black finish. For chairs built Before 11/8/02, it is recommended when one wheel is requested that the wheels be replaced in pairs.
 C - As of 11/17/08 Spinergey Wheels changed from black spoke, black hub to a black spoke, silver hub appearance. For chairs built Before 11/17/08, it is recommended when one wheel is requested that the wheels be replaced in pairs.

When ordering a Spoke Wheel with Handrim attached, the standard handrim mounting process uses the outside holes of the handrim mounting tabs. To use the inside mounting holes to reduce the overall width of the chair, you must order the wheel and handrim assembled as a special order.

Spoke Rear Wheels (w/ Handrims) (Before 9/2/11)

Wheel Style	Tire Type	Anodized Aluminum	Grey Plastic Coated	Black Plastic Coated	8 Vertical Projection	8 Oblique Projection
20SP	Pneumatic	1115584-NLA See Note(s) B	1049448-NLA	1115423-NLA See Note(s) B	N/A	N/A
20SP	Pneumatic w/ Flat Free	1115586 See Note(s) B	1049450-NLA	1115424-NLA See Note(s) B	N/A	N/A
22SP	Pneumatic	1115588-NLA See Note(s) B	1049452-NLA	1115591-NLA See Note(s) B	1115425-NLA See Note(s) B	N/A
22SP	Pneumatic with Flat Free	1115590-NLA See Note(s) B	1049456-NLA	1115593 See Note(s) B	1115426-NLA See Note(s) B	N/A
24SP	Pneumatic	1115594-NLA See Note(s) B	1049460-NLA	1115599 See Note(s) B	1115427-NLA See Note(s) B	1115428-NLA See Note(s) B
24SP	Pneumatic with Flat Free	1115597 See Note(s) B	1049465-NLA	1115601 See Note(s) B	1115429-NLA See Note(s) B	1115430-NLA See Note(s) B
24SP	Primo	1115602-NLA See Note(s) B	1049470-NLA	1115603-NLA See Note(s) B	1115431-NLA See Note(s) B	1115432-NLA See Note(s) B
24SP	Continental	1115606-NLA See Note(s) B	1049475-NLA	1115607-NLA See Note(s) B	1115433-NLA See Note(s) B	1115434-NLA See Note(s) B
24SP	KIK	1115645 See Note(s) B	1091332-NLA	1115646 See Note(s) B	1115447-NLA See Note(s) B	1115448-NLA See Note(s) B
24HPS	Pneumatic	1115622 See Note(s) B	1049496-NLA	1115623-NLA See Note(s) B	1115439-NLA See Note(s) B	N/A
24HPS	Pneumatic with Flat Free	1115625-NLA See Note(s) B	1049500-NLA	1115626-NLA See Note(s) B	1115440-NLA See Note(s) B	N/A
24HPS	Primo	1115628 See Note(s) B	1049504-NLA	1115629 See Note(s) B	1115441-NLA See Note(s) B	N/A
24HPS	Continental	1115631-NLA See Note(s) B	1049508-NLA	1115632-NLA See Note(s) B	1115442-NLA See Note(s) B	N/A
24HPS	KIK	1115649 See Note(s) B	1091337-NLA	1115650 See Note(s) B	1115449-NLA See Note(s) B	N/A
SPIN24	Primo	1112339 See Note(s) A, C	N/A	N/A	N/A	N/A
559TS	Primo	1115610 See Note(s) B	1049480-NLA	1115611-NLA See Note(s) B	1115435-NLA See Note(s) B	N/A
SPIN25	Primo	1112349-NLA See Note(s) A, C	N/A	N/A	N/A	N/A
26SP	Pneumatic	1115613-NLA See Note(s) B	1049484-NLA	1115614-NLA See Note(s) B	1115436-NLA See Note(s) B	N/A
26SP	Primo	1115616-NLA See Note(s) B	1049488-NLA	1115617-NLA See Note(s) B	1115437-NLA See Note(s) B	N/A
26SP	Continental	1115619-NLA See Note(s) B	1049492-NLA	1115620-NLA See Note(s) B	1115438-NLA See Note(s) B	N/A
26HPS	Pneumatic	1115636-NLA See Note(s) B	1049555-NLA	1115637 See Note(s) B	1115444-NLA See Note(s) B	N/A
26HPS	Primo	1115639-NLA See Note(s) B	1049559-NLA	1115640 See Note(s) B	1115445-NLA See Note(s) B	N/A

Spoke Rear Wheels (w/ Handrims) (Before 9/2/11)

Wheel Style	Tire Type	Anodized Aluminum	Grey Plastic Coated	Black Plastic Coated	8 Vertical Projection	8 Oblique Projection
SPIN26	Primo See Note(s) A	1112344-NLA See Note(s) C, A	N/A	N/A	N/A	N/A
700SP	Umma Gumma	1115634 See Note(s) B	1049553-NLA	N/A	N/A	N/A

NOTE: A - As of 7/15/02 Spinergey Wheels now have 18 spokes instead of 30. For chairs built Before 7/15/02, it is recommended when one wheel is requested that the wheels be replaced in pairs.
 B - As of 11/8/02 these wheels now have a Black finish. For chairs built Before 11/8/02, it is recommended when one wheel is requested that the wheels be replaced in pairs.
 C - As of 11/17/08 Spinergey Wheels changed from black spoke, black hub to a black spoke, silver hub appearance. For chairs built Before 11/17/08, it is recommended when one wheel is requested that the wheels be replaced in pairs.

When ordering a Spoke Wheel with Handrim attached, the standard handrim mounting process uses the outside holes of the handrim mounting tabs. To use the inside mounting holes to reduce the overall width of the chair, you must order the wheel and handrim assembled as a special order.

Handrims

Non Projection Handrims

Wheel Style	Anodized Aluminum	Grey Plastic Coated	Black Plastic Coated
20COM	1020017	1020019-NLA See Note(s) A	1115400
20SP	1043442-NLA	1043498-NLA See Note(s) A	1043688
22COM	1033373	1026419-NLA See Note(s) A	1115401
22SP	1043443	1043499-NLA See Note(s) A	1043689-NLA
24COM7	1033372	1015784-NLA See Note(s) A	1115397
24SP See Note(s) A	1026136	1029483-NLA See Note(s) A	1035612
SPIN24 (30 Spoke)	1026136	1029483-NLA See Note(s) A	1035612
SPIN24 (18 Spoke)	1114300	N/A	N/A
24HPS	1026136	1029483-NLA See Note(s) A	1035612
559TS	1029493	1043251-NLA See Note(s) A	1043249
SPIN25 (30 Spoke)	1029493	1043251-NLA See Note(s) A	1043249
SPIN25 (18 Spoke)	1114301-NLA	N/A	N/A
26SP	1026137	1029484-NLA See Note(s) A	1035613
SPIN26 (30 Spoke)	1026137	1029484-NLA See Note(s) A	1035613
SPIN26 (18 Spoke)	1114302-NLA See Note(s) B	N/A	N/A
26HPS	1026137	1029484-NLA See Note(s) A	1035613
700SP	1047086-NLA	1047087-NLA See Note(s) A	1115413-NLA

NOTE: A - Grey plastic coated handrim is no longer available; if a replacement is needed, order the black plastic coated as replacement in pairs so the handrims on both sides of the chair match.
B - Part No Longer Available individually. See Part # 1112344 for replacement.

Handrims

Projection Handrims

Wheel Style	8 Vertical Projections (Grey)	8 Oblique Projections (Grey)	12 Vertical Projections (Grey)	8 Vertical Projections (Black)	8 Oblique Projections (Black)	12 Vertical Projections (Black)
20COM	N/A	N/A	N/A	N/A	N/A	N/A
20SP	N/A	N/A	N/A	N/A	N/A	N/A
22COM	1046922-NLA	N/A	N/A	1115412	N/A	N/A
22SP	1045506-NLA	N/A	N/A	1115407	N/A	N/A
24COM7	1015432-NLA	1015434-NLA	1015433-NLA	1115394	1115396	1115395
24SP	1115408-NLA	1045510-NLA	N/A	1115408-NLA	1115411-NLA	N/A
SPIN24 (30 Spoke)	1115408-NLA	1045510-NLA	N/A	1115408-NLA	1115411-NLA	N/A
SPIN24 (18 Spoke)	N/A	N/A	N/A	N/A	N/A	N/A
24HPS	1115408-NLA	1045510-NLA	N/A	1115408-NLA	1115411-NLA	N/A
559TS	1045508-NLA	N/A	N/A	1115409-NLA	N/A	N/A
SPIN25 (30 Spoke)	1045508-NLA	N/A	N/A	1115409-NLA	N/A	N/A
SPIN25 (18 Spoke)	N/A	N/A	N/A	N/A	N/A	N/A
26SP	1045509-NLA	N/A	N/A	1115410-NLA See Note(s) B	N/A	N/A
SPIN26 (30 Spoke)	1045509-NLA	N/A	N/A	1115410-NLA See Note(s) B	N/A	N/A
SPIN26 (18 Spoke)	N/A	N/A	N/A	N/A	N/A	N/A
26HPS	1045509-NLA	N/A	N/A	1115410-NLA See Note(s) B	N/A	N/A
700SP	N/A	N/A	N/A	N/A	N/A	N/A

NOTE: B - No longer available as an individual service part, you must order a Rear Wheel w/ Handrim as a replacement.

Handrim Hardware

(Hardware Kits To Attach A Single Handrim Only)

Wheel Style	Anodized Aluminum	Grey/Black Plastic Coated	8 Vertical Projections	8 Oblique Projections	12 Vertical Projections
20COM	1025153	1025158	N/A	N/A	N/A
20SP	1043708	1043708	N/A	N/A	N/A
22COM	1026384	1026383	1026380	N/A	N/A
22SP	1043708	1043708	1026910	N/A	N/A
24COM7	1026384	1026383	1026380	1026381	1026382
24SP	1026910	1026910	1026910	1026910	N/A
SPIN24	1026910	N/A	N/A	N/A	N/A
24HPS	1026910	1026910	1026910	1026910	N/A
559TS	1026910	1026910	1026910	N/A	N/A
3SCF	N/A	N/A	N/A	N/A	N/A
SPIN25	1026910	N/A	N/A	N/A	N/A
26SP	1026910	1026910	1026910	N/A	N/A
26HPS	1026910	1026910	1026910	N/A	N/A
SPIN26	1026910	N/A	N/A	N/A	N/A
700SP	1026910	N/A	N/A	N/A	N/A

Wheel Lock Reference Chart

Wheel Locks - MVP/Xtra/Jr.

Wheel Lock Type	Attaching Hardware Kit	Wheel Lock Right	Wheel Lock Left
Push to Lock	1039344	1029423	1029424
Pull to Lock	1039344	1038552-NLA	1038553
Hill Holder	1026352	1026712	1026713

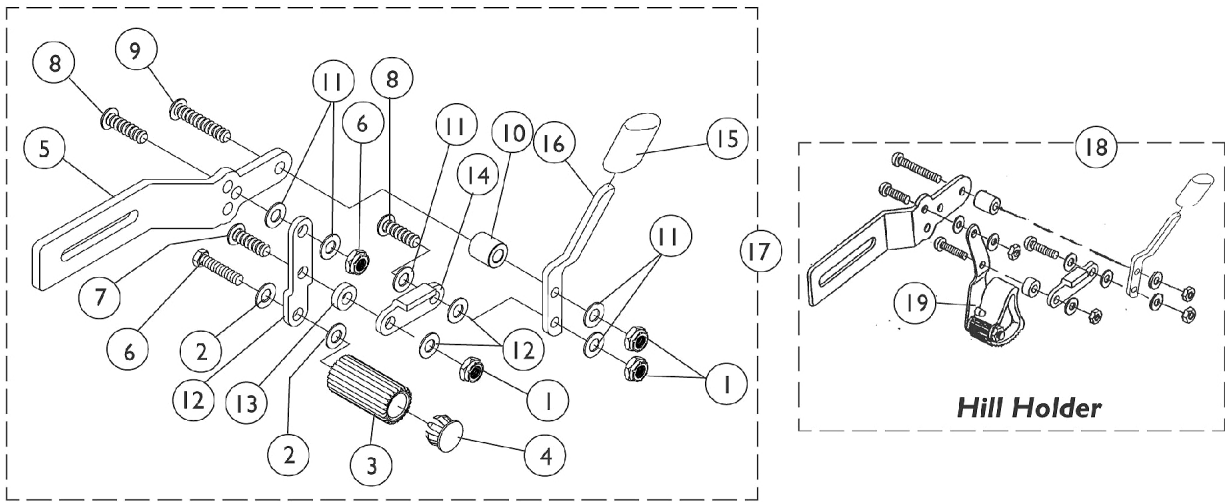
Wheel Locks - Style

Wheel Lock Type	Attaching Hardware Kit	Wheel Lock Right	Wheel Lock Left
Undermount	N/A	1036647-NLA	1036648-NLA
Push to Lock	1039344	1029423	1029424
Pull to Lock	1026352	1026715-NLA	1026716-NLA
Hill Holder	1026352	1026712	1026713

High Mount Wheel Locks

Pull to Lock - Style

Hill Holder - MVP / Xtra / Jr. / Style



High Mount Wheel Locks

Pull to Lock - Style

Hill Holder - MVP / Xtra / Jr. / Style

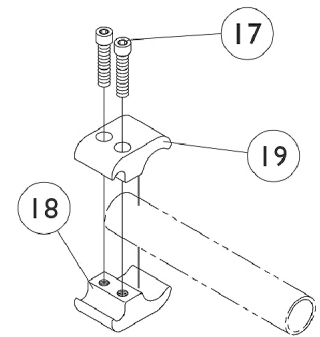
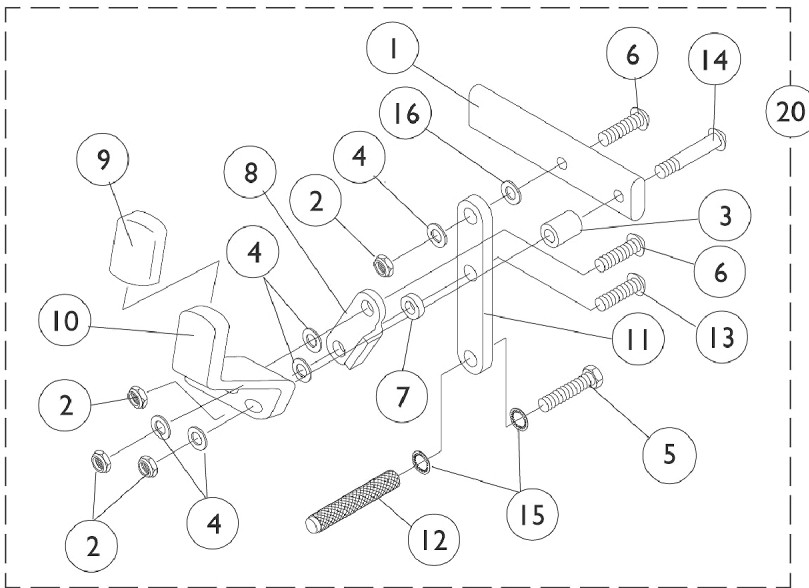
Item Number	Note	Part Number	Description	Quantity Per	
				Package	Assembly
1		1025765	Locknut (1/4-28)	1	2
2		1026108	Lockwasher (1/4 x 15/32 x 1/64")	1	2
3		1020361-NLA	NLA - Shoe, Wheel Lock	1	1
4		1025761-NLA	NLA - Plug Button, Black (5/8")	1	1
6		1025708-NLA	NLA - Bolt, Hex Head Cap (1/4-20 x 3/4")	1	1
7		1055305-NLA	NLA - Screw, Socket Button Head (1/4-28 x 3/4")	1	2
8		1055304	Screw, Socket Button Head (1/4-28 x 5/8")	1	1
9		1059284-NLA	NLA - Screw, Socket Button Head (1/4-28 x 1-1/4")	1	1
10		1020363-NLA	NLA - Spacer (1/4 x 1/2 x 1/2")	1	1
11		1026103	Washer, Nylon (1/4 x 1/2 x 1/32")	1	7
12		1014372	Link, Off-Set Shoe, Black	1	1
13		1026104-NLA	NLA - Spacer	1	1
14		1018733-NLA	NLA - Link, Stop, Black	1	1
14		1018727-NLA	NLA - Link, Stop, Black	1	1
15		1006490	Tip, Plastic, Black	1	1
16		1038344-NLA	NLA - Handle, Wheel Lock, Black - Right	1	1
16		1038345-NLA	NLA - Handle, Wheel Lock, Black - Left	1	1
16		1031780-NLA	NLA - Handle, Pull/ Lock, Black - Right	1	1
16		1031781-NLA	NLA - Handle, Pull/ Lock, Black - Left	1	1
17	A	1026715-NLA	NLA - Wheel Lock Assembly, Pull to Lock - Right	1	1
17	A	1026716-NLA	NLA - Wheel Lock Assembly, Pull to Lock - Left	1	1
18	B	1026712	Hill Holder Wheel Lock Assembly - Right	1	1
			Bracket, Black	1	1
			Screw, Socket Button Head (1/4-28 x 5/8")	1	2
			NLA - Screw, Socket Button Head (1/4-28 x 1-1/4")	1	1
			Washer, Nylon (1/4 x 1/2 x 1/32")	1	7
			NLA - Spacer (1/4 x 1/2 x 1/2")	1	1
			Locknut (1/4-28)	1	4
			NLA - Link, Stop, Black	1	1
			NLA - Handle, Wheel Lock, Black - Right	1	1
			Tip, Plastic, Black	1	1
			NLA - Spacer	1	1
19			Hill Holder Assembly - Right	1	1
			NLA - Screw, Socket Button Head (1/4-28 x 3/4")	1	1
18	B	1026713	Hill Holder Wheel Lock Assembly - Left	1	1
			Bracket, Black	1	1
			Screw, Socket Button Head (1/4-28 x 5/8")	1	2
			NLA - Screw, Socket Button Head (1/4-28 x 1-1/4")	1	1
			Washer, Nylon (1/4 x 1/2 x 1/32")	1	7
			NLA - Spacer (1/4 x 1/2 x 1/2")	1	1
			Locknut (1/4-28)	1	4
			Tip, Plastic, Black	1	1

High Mount Wheel Locks Pull to Lock - Style Hill Holder - MVP / Xtra / Jr. / Style

Item Number	Note	Part Number	Description	Quantity Per	
				Package	Assembly
19	C	1026352	NLA - Handle, Wheel Lock, Black - Left	1	1
			NLA - Link, Stop, Black	1	1
			NLA - Spacer	1	1
			NLA - Hill Holder Assembly - Left	1	1
			NLA - Screw, Socket Button Head (1/4-28 x 3/4")	1	1
			Kit, Wheel Lock Hardware	2	1
			NLA - Bolt, Hex Head Cap (1/4-20 x 3/4")	1	2
			Washer (1/4 x 5/8 x 3/32")	1	2
			NLA - Clamp, Half, Threaded	1	2
			NLA - Clamp, Half, Non-Threaded	1	2
			Washer, Nylon (1/4 x 7/16 x 5/64")	1	2
			Screw, Socket Head (1/4-20 x 1-1/4")	1	2
NOTE: A - Includes items 1 - 16. Item #5 is no longer available. B - Includes item 19. C - Not shown.					

High Mount Wheel Locks

Pull to Lock MVP/ Xtra / Jr.



High Mount Wheel Locks

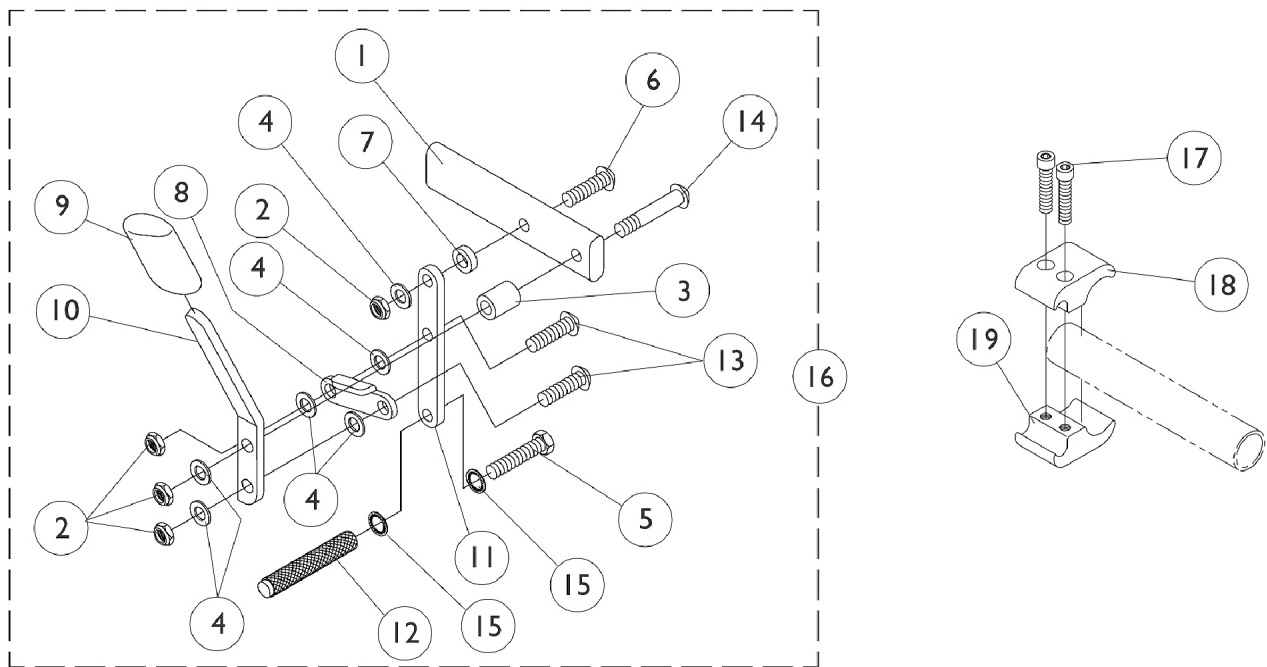
Pull to Lock MVP/ Xtra / Jr.

Item Number	Note	Part Number	Description	Quantity Per	
				Package	Assembly
1	A	1028399-NLA	NLA - Strap, Wheel Lock	1	1
1	B	1028397-NLA	NLA - Strap, Wheel Lock	1	1
2		1025765	Locknut (1/4-28)	1	4
3		1020363-NLA	NLA - Spacer (1/4 x 1/2 x 1/2")	1	1
4		1026103	Washer, Nylon (1/4 x 1/2 x 1/32")	1	7
5		1080135-NLA	NLA - Screw, Hex Head w/ Patch (1/4-28 x 3/4")	1	1
6		1055305-NLA	NLA - Screw, Socket Button Head (1/4-28 x 3/4")	1	1
7		1028411-NLA	NLA - Spacer (1/4 x 1/2 x 5/32")	1	1
8		1018733-NLA	NLA - Link, Stop, Black	1	1
9		1006490	Tip, Plastic, Black	1	1
10		1031780-NLA	NLA - Handle, Pull/ Lock, Black - Right	1	1
10		1031781-NLA	NLA - Handle, Pull/ Lock, Black - Left	1	1
11		1028416-NLA	NLA - Link, Wheel Lock, Black	1	1
12		1029420-NLA	NLA - Shoe, Wheel Lock	1	1
13		1055304	Screw, Socket Button Head (1/4-28 x 5/8")	1	1
14		1059284-NLA	NLA - Screw, Socket Button Head (1/4-28 x 1-1/4")	1	1
15		1026108	Lockwasher (1/4 x 15/32 x 1/64")	1	1
16		1026907	Washer (1/4 x 1/2 x 1/16")	1	1
17		1027268	Screw, Allen Head (1/4-20 x 1")	1	2
18		1026096-NLA	NLA - Clamp, Wheel Lock, Threaded (1")	1	1
19		1026097-NLA	NLA - Clamp, Wheel Lock, Non-Threaded (1")	1	1
20	C	1038552-NLA	NLA - Wheel Lock, Clamp On, Pull to Lock - Right	1	1
20	C	1038553	Wheel Lock, Clamp On, Pull to Lock - Left	1	1

NOTE: A - Swingaway Front Frame Chairs
 B - Fixed Front Frame Chairs
 C - Includes items 1 - 15.

High Mount Wheel Locks

Push to Lock - MVP / Xtra / Jr. / Style



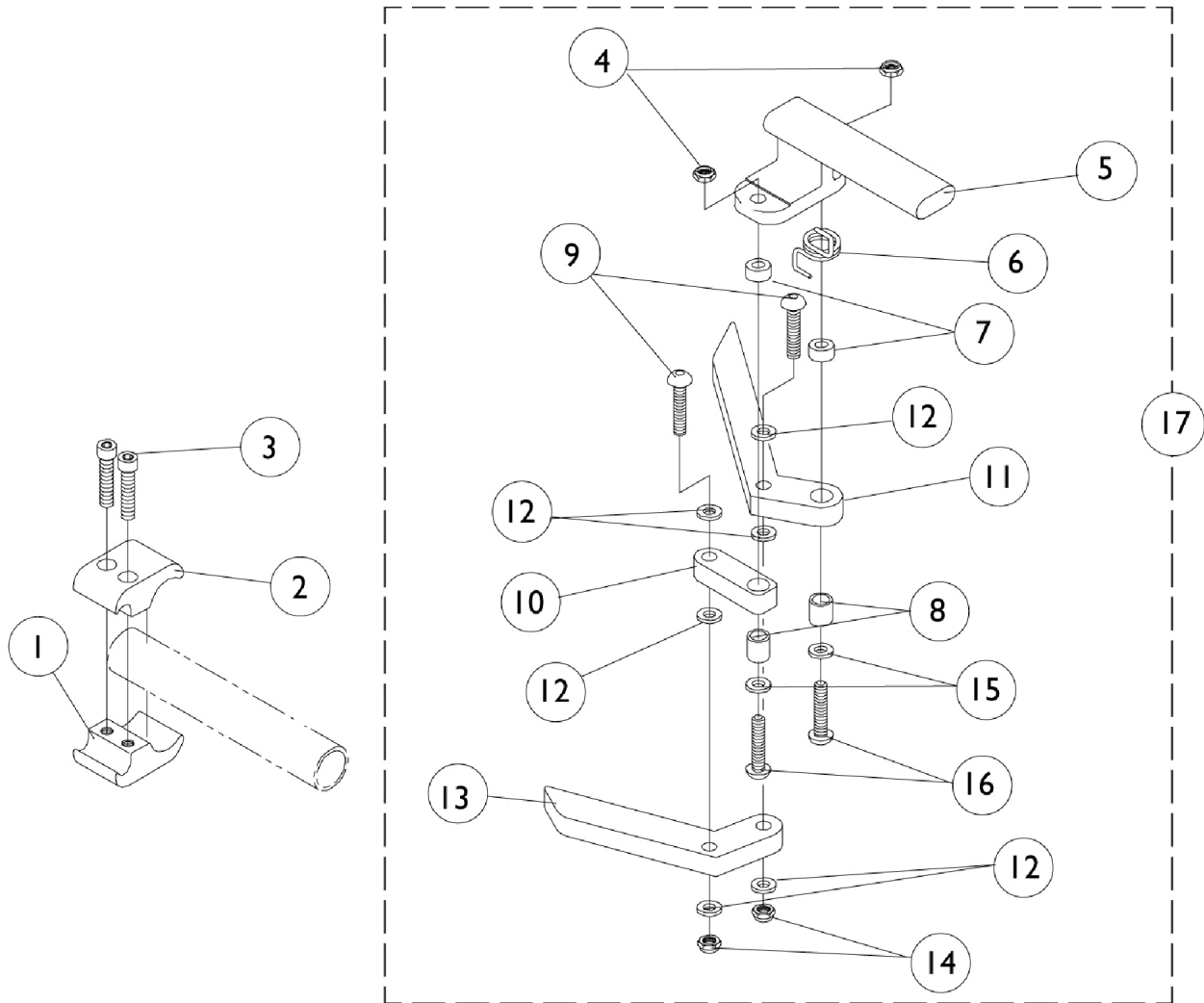
High Mount Wheel Locks

Push to Lock - MVP / Xtra / Jr. / Style

Item Number	Note	Part Number	Description	Quantity Per	
				Package	Assembly
1		1028399-NLA	NLA - Strap, Wheel Lock	1	1
2		1025765	Locknut (1/4-28)	1	4
3		1020363-NLA	NLA - Spacer (1/4 x 1/2 x 1/2")	1	1
4		1026103	Washer, Nylon (1/4 x 1/2 x 1/32")	1	6
5	A	1055346-NLA	NLA - Screw, Hex Head (1/4-28 x 3/4")	1	1
6		1055306-NLA	NLA - Screw, Button Head Cap (1/4-28 x 7/8")	1	1
7		1028411-NLA	NLA - Spacer (1/4 x 1/2 x 5/32")	1	1
8		1018733-NLA	NLA - Link, Stop, Black	1	1
9		1006490	Tip, Plastic, Black	1	1
10		1038344-NLA	NLA - Handle, Wheel Lock, Black - Right	1	1
10		1038345-NLA	NLA - Handle, Wheel Lock, Black - Left	1	1
11		1028416-NLA	NLA - Link, Wheel Lock, Black	1	1
12	A	1029420-NLA	NLA - Shoe, Wheel Lock	1	1
13		1055304	Screw, Socket Button Head (1/4-28 x 5/8")	1	2
14		1059284-NLA	NLA - Screw, Socket Button Head (1/4-28 x 1-1/4")	1	1
15		1026108	Lockwasher (1/4 x 15/32 x 1/64")	1	1
16		1029423	Wheel Lock, High Mount, Push to Lock - Right	1	1
16		1029424	Wheel Lock, High Mount, Push to Lock - Left	1	1
17		1027268	Screw, Allen Head (1/4-20 x 1")	1	2
18		1026097-NLA	NLA - Clamp, Wheel Lock, Non-Threaded (1")	1	1
19		1026096-NLA	NLA - Clamp, Wheel Lock, Threaded (1")	1	1

NOTE: A - Order part number 1063507 (Wheel Lock Shoe Kit) for all Chairs Made Before 10/25/96.

Undermount Wheel Lock

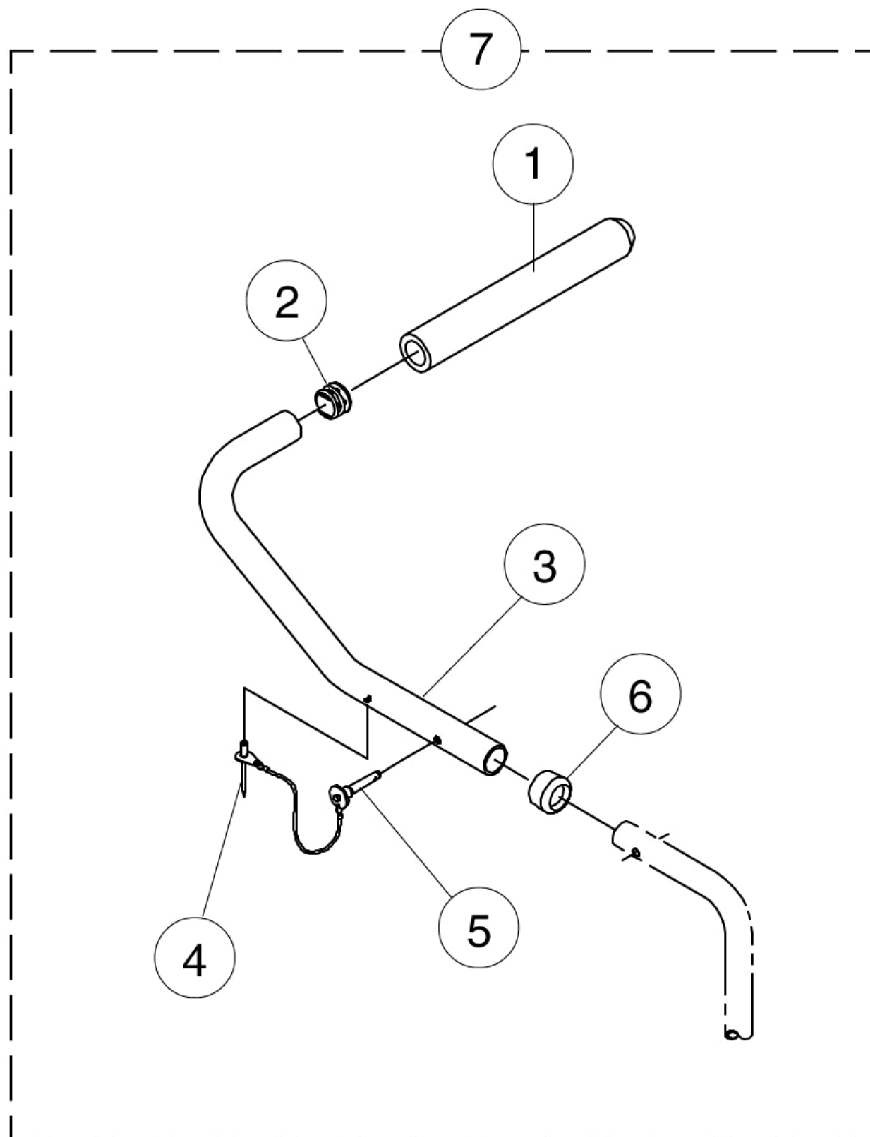


Undermount Wheel Lock

Item Number	Note	Part Number	Description	Quantity Per	
				Package	Assembly
1		1026096-NLA	NLA - Clamp, Wheel Lock, Threaded (1")	1	1
2		1026097-NLA	NLA - Clamp, Wheel Lock, Non-Threaded (1")	1	1
3		1027268	Screw, Allen Head (1/4-20 x 1")	1	2
4		1025765	Locknut (1/4-28)	1	2
5		1037120-NLA	NLA - Bracket, Mounting, Black - Right	1	1
5		1037121-NLA	NLA - Bracket, Mounting, Black - Left	1	1
6		1036519-NLA	NLA - Spring, Torsion - Right	1	1
6		1036520-NLA	NLA - Spring, Torsion - Left	1	1
7		1026104-NLA	NLA - Spacer	1	2
8		1005844-NLA	NLA - Bushing	1	2
9		1055307-NLA	NLA - Screw, Allen Button Head (1/4-28 x 1")	1	2
10		1025188-NLA	NLA - Link, Wheel Lock, Black	1	1
11		1024962-NLA	NLA - Handle, Wheel Lock, Black	1	1
12		1026103	Washer, Nylon (1/4 x 1/2 x 1/32")	1	6
13		1024961-NLA	NLA - Shoe, Wheel Lock	1	1
14		1025765	Locknut (1/4-28)	1	2
15		1025728	Washer (1/4 x 1/2 x 1/32")	1	2
16		1059284-NLA	NLA - Screw, Socket Button Head (1/4-28 x 1-1/4")	1	1
17	A	1036647-NLA	NLA - Wheel Lock, Undermount - Right	1	1
17	A	1036648-NLA	NLA - Wheel Lock, Undermount - Left	1	1

NOTE: A - Includes items 4 - 16.

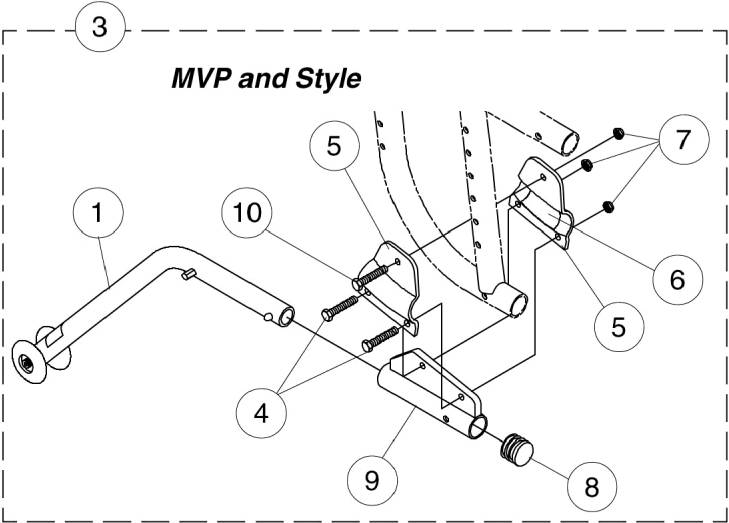
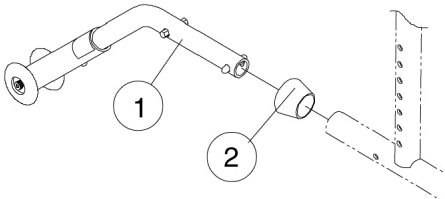
Stroller Handles



Item Number	Note	Part Number	Description	Quantity Per	
				Package	Assembly
1		1133698	Grip, Foam Hand (9" L)	1	1
2		1056328	Plug Button, Black (1")	1	1
3		1043722-NLA	NLA - Handle, Stroller, Black - Right	1	1
3		1043723-NLA	NLA - Handle, Stroller, Black - Left	1	1
4		16348X000-NLA	NLA - Rivet (3/16 x 7/16")	1	1
5		1045470	Pin, Quick Release with Lanyard	1	1
6		15680X013	Anti-Rattle (1")	1	1
7		1044714-NLA	NLA - Stroller Handle Assembly	2	1

Rear Anti-Tippers

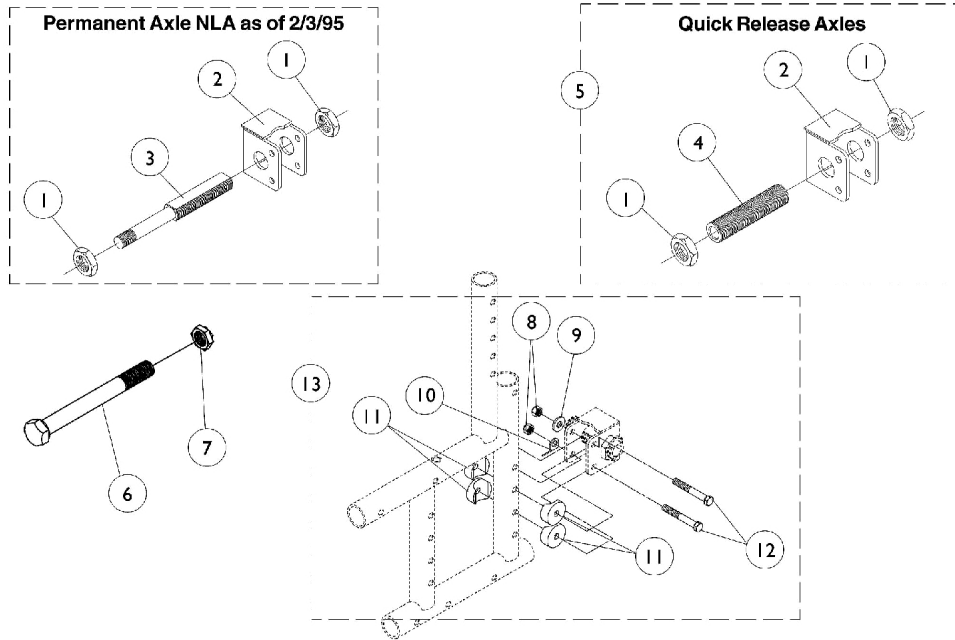
Xtra and Jr.



Rear Anti-Tippers

Item Number	Note	Part Number	Description	Quantity Per	
				Package	Assembly
1	A,B	1050642-NLA	NLA - Anti-Tipper (Pair)	2	1
1	A,C	1050641	Anti-Tipper (Pair)	2	1
2		15680X013	Anti-Rattle (1")	1	1
3	D	1050643	Anti-Tipper (Pair)	2	1
4		1055296-NLA	NLA - Screw, Hex Head (1/4-28 x 1")	1	2
5		1028409-NLA	NLA - Clamp, Half	1	2
6		1029409	Strip, Protective	1	2
7		1065362	Locknut (1/4-28)	1	3
8		1056328	Plug Button, Black (1")	1	1
9		1026991-NLA	NLA - Bracket, Anti-Tipper, Black	1	1
10		1055346-NLA	NLA - Screw, Hex Head (1/4-28 x 3/4")	1	1
NOTE: A - Anti-Rattle Collar not included. B - Xtra C - Jr. D - MVP/Style					

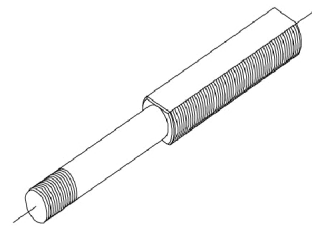
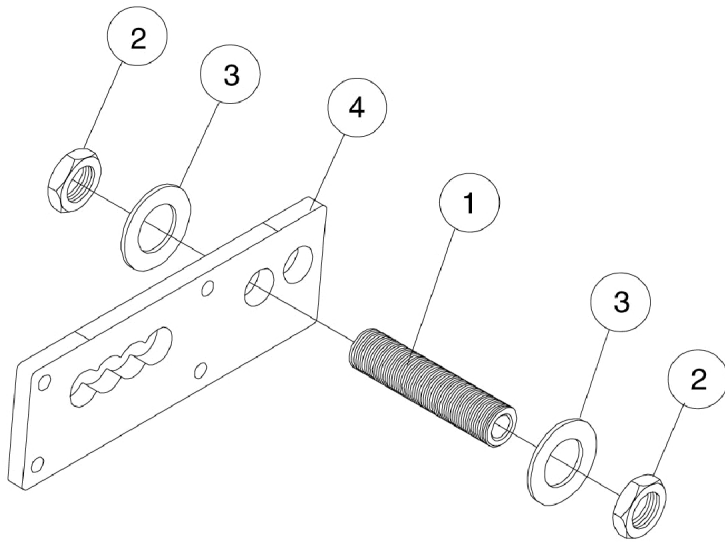
Amputee Axle Mounting Plates Xtra and Jr.



Amputee Axle Mounting Plates Xtra and Jr.

Item Number	Note	Part Number	Description	Quantity Per	
				Package	Assembly
1	A	1025702-NLA	NLA - Hex Jam Nut (3/4-16)	1	2
1	B	1044945	Nut, Hex (3/4-16)	1	2
2		1008677-NLA	NLA - Plate, Axle, Amputee	1	1
3	C,C1	1025760-NLA	NLA - Axle, Permanent (1/2-20 x 5")	1	1
4		1026178	Bushing, Axle (2-1/2")	1	1
5		1027051-NLA	NLA - Amputee Axle Plate Assembly	2	1
6		1049227	Screw, Hex Head (1/2-20 x 5-1/4")	1	1
7		1025737	Locknut (1/2-20)	1	1
8		1065362	Locknut (1/4-28)	1	2
9		20105X000-NLA	NLA - Washer, Flat (1/4 x 5/8 x 1/16")	1	1
10		1026903-NLA	NLA - Tab, Tie Down	1	1
11		40157X020	Spacer, Coved (1/4 x 1 x 9/16")	1	4
12		1055349	Screw, Hex Head (1/4-28 x 2")	1	2
13		1028249-NLA	NLA - Kit, Amputee Axle Plate Hardware	2	1
<p>NOTE: A - Before 5/10/96 B - After 5/9/96 C - To order a replacement Amputee Permanent Axle Assembly on chairs manufactured before 2/3/95, order the following parts: Items: 5 (1 ea.), 6 (2 ea.), and 7 (2 ea.). C1 - For permanent axle applications, the permanent axle is used in place of the quick release axle and is inserted through the Axle Busing (item 4)</p>					

Amputee Axle Mounting Plates MVP and Style

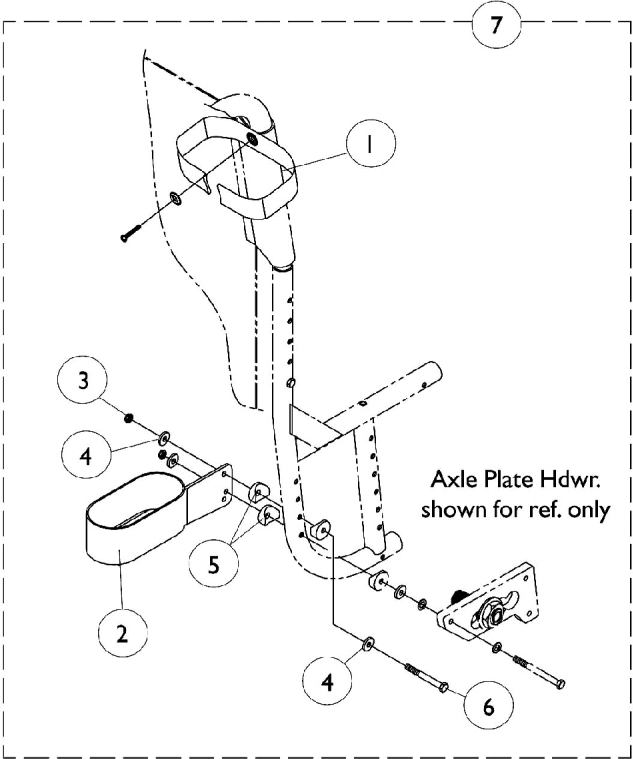


Permanent Axle NLA as of 2/3/95

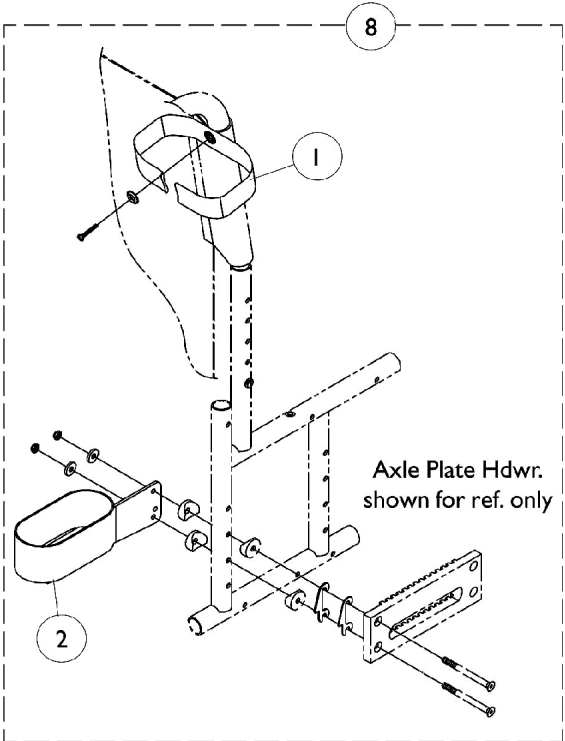
Amputee Axle Mounting Plates MVP and Style

Item Number	Note	Part Number	Description	Quantity Per	
				Package	Assembly
1		1025756	Bushing, Axle, Quick Release/Permanent (1-7/8")	1	1
1		1026178	Bushing, Axle (2-1/2")	1	1
1	A	1025760-NLA	NLA - Axle, Permanent (1/2-20 x 5")	1	1
2		1044945	Nut, Hex (3/4-16)	1	2
3		1025701	Washer, Steel (3/4 x 1-1/4 x 1/16")	1	2
4		1035699-NLA	NLA - Plate, Extended Axle Mounting	1	1
NOTE: A - When ordering a permanent axle on chairs manufactured Before 2/3/95, order the following parts: (2) each 1049227, (2) each 1025737, and (1) each 1027051.					

Crutch & Cane Carrier



MVP / Style

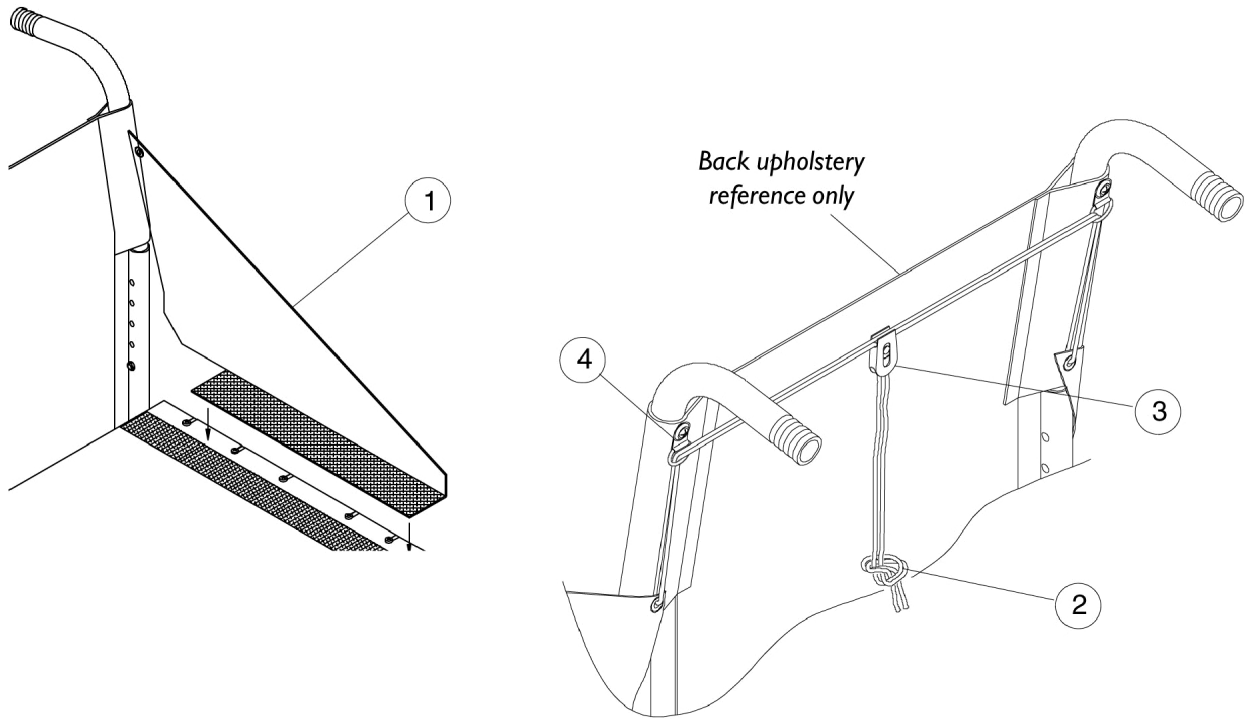


Xtra / Jr.

Crutch & Cane Carrier

Item Number	Note	Part Number	Description	Quantity Per	
				Package	Assembly
1		1032222	Strap, Black	1	1
2		1032219	Holder, Crutch	1	1
3		1065362	Locknut (1/4-28)	1	1
4		1026907	Washer (1/4 x 1/2 x 1/16")	1	2
5		1026099	Spacer, Coved (1/4 x 11/16 x 1/2")	1	2
6		1055349	Screw, Hex Head (1/4-28 x 2")	1	1
7	A,C	1032223	Carrier, Crutch and Cane	1	1
8	B,D	1032224	Carrier, Crutch and Cane	1	1
NOTE: A - MVP and Style B - Xtra and Jr. C - Includes items 1-6 D - Includes items 1 and 2					

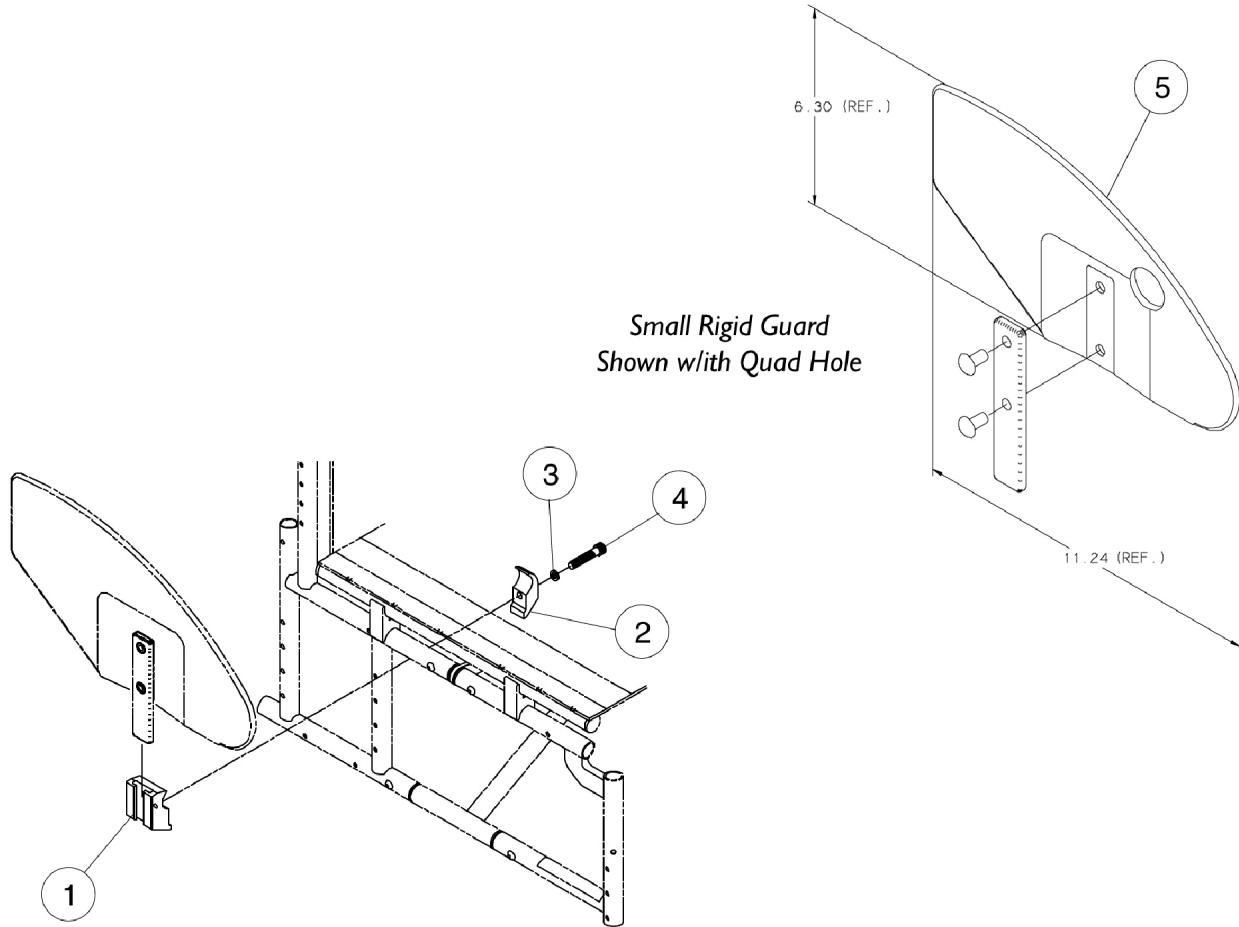
Fabric Clothing Guards



Fabric Clothing Guards

Item Number	Note	Part Number	Description	Quantity Per	
				Package	Assembly
1	A	1028444-NLA	NLA - Protector, Clothing, Fabric - Right	1	1
1	A	1028445-NLA	NLA - Protector, Clothing, Fabric - Left	1	1
1	B	1028446-NLA	NLA - Protector, Clothing, Fabric - Right	1	1
1	B	1028447-NLA	NLA - Protector Clothing, Fabric - Left	1	1
1	C	8881028448-NL A	NLA - Protector, Clothing, Fabric - Right	1	1
1	C	8881028449-NL A	NLA - Protector, Clothing, Fabric - Left	1	1
1	D	1028450	Protector, Clothing, Fabric - Right	1	1
1	D	1028451-NLA	NLA - Protector, Clothing, Fabric - Left	1	1
2		1141633	Cord, Nylon (6-1/2 ft.)	1	1
3		1029412	Lock, Cord, Black	1	1
4		1029407-NLA	NLA - Ring, "D"	1	2
NOTE: A - 7-11" deep chairs B - 12-13" deep chairs C - 14-15" deep chairs D - 16-18" deep chairs					

Rigid Side Guards



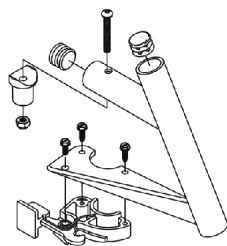
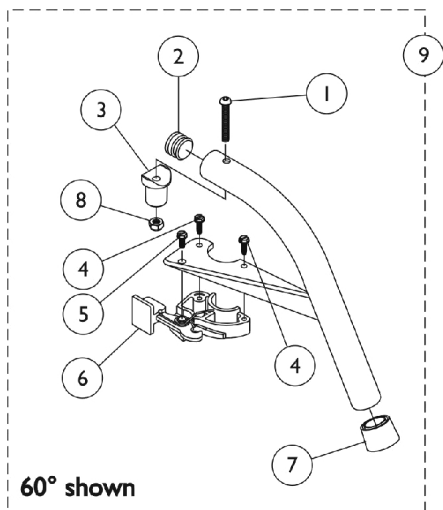
Rigid Side Guards

Item Number	Note	Part Number	Description	Quantity Per	
				Package	Assembly
1		1032249	Clamp, Half, Threaded	1	1
2		1018692-NLA	NLA - Clamp, Half, Non-Threaded	1	1
3		1013971	Washer, Nylon (1/4 x 7/16 x 5/64")	1	1
4		1003545	Screw, Socket Head (1/4-20 x 1-1/4")	1	1
5		1036346	Guard, Side, Small w/o Quad Hole - Right (6-1/4" H x 11-1/4" D)	1	1
5		1036347	Guard, Side, Small w/o Quad Hole - Left (6-1/4" H x 11-1/4" D)	1	1
5		1036407	Guard, Side, Small w/ Quad Hole - Right (6-1/4" H x 11-1/4" D)	1	1
5		1036408	Guard, Side, Small w/ Quad Hole - Left (6-1/4" H x 11-1/4" D)	1	1
5		1036344	Guard, Side, Large w/o Quad Hole - Right (7-3/4" H x 12-3/8" D)	1	1
5		1036345	Guard, Side, Large w/o Quad Hole - Left (7-3/4" H x 12-3/8" D)	1	1
5		1036405	Guard, Side, Large w/ Quad Hole - Right (7-3/4" H x 12-3/8" D)	1	1
5		1036406	Guard, Side, Large w/ Quad Hole - Left (7-3/4" H x 12-3/8" D)	1	1
5	A	1036342	Kit, Side Guard Hardware (Pair)	2	1

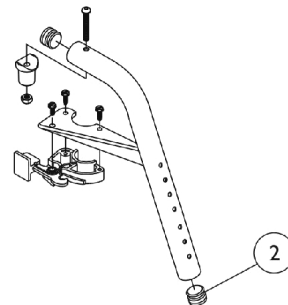
NOTE: A - Includes Items 1-4.

Footrest Support Assemblies

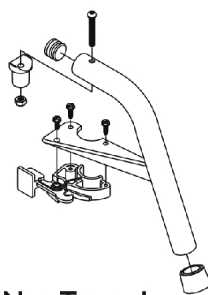
Swingaway 60 Degree, 70 Degree, and 90 Degree



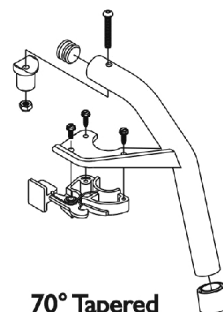
60° MFX



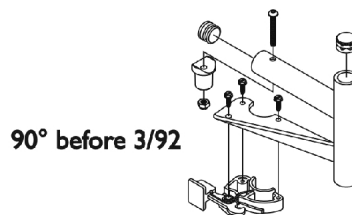
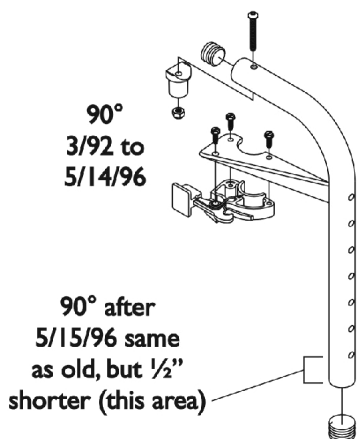
70° MFX



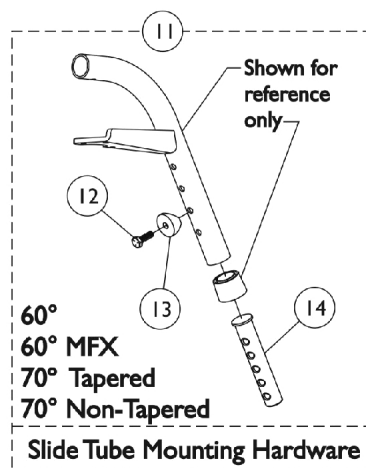
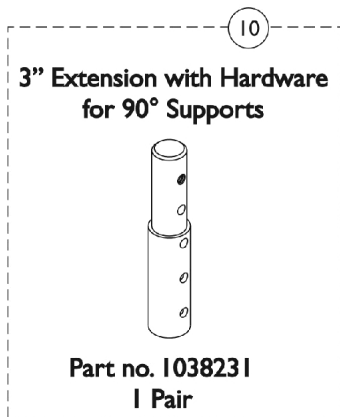
70° Non-Tapered



70° Tapered



90° before 3/92



Footrest Support Assemblies

Swingaway 60 Degree, 70 Degree, and 90 Degree

Item Number	Note	Part Number	Description	Quantity Per	
				Package	Assembly
1		1001762	Screw, Socket Button Head (1/4-20 x 1-3/4")	1	1
2	C	1056328	Plug Button, Black (1")	1	1
3		1017148	Pivot, Footrest	1	1
4		1025451	Screw, Slotted Hex Washer Head (#10-32 x 5/8")	1	2
5		1017423	Screw, Slotted Hex Washer Head w/ Patch (#10-32 x 1/2")	1	1
6		1025454	Housing, Latch - Right	1	1
6		1025455	Housing, Latch - Left	1	1
7		1026124	Collar, Anti-Rattle	1	1
8		1025736	Locknut (1/4-20)	1	1
9	A	8881026992	Footrest Support Assembly, 60 Degree, Sector, Color - Right	1	1
9	A	8881026993	Footrest Support Assembly, 60 Degree, Sector, Color - Left	1	1
9	A	8881026998	Footrest Support Assembly, 60 Degree MFX, Sector, Color - Right	1	1
9	A	8881026999	Footrest Support Assembly, 60 Degree MFX, Sector, Color - Left	1	1
9	A	8881047481	Footrest Support Assembly, 70 Degree MFX, Sector, Color - Right	1	1
9	A	8881047480	Footrest Support Assembly, 70 Degree MFX, Sector, Color - Left	1	1
9	A	8881026994	Footrest Support Assembly, 70 Degree Non-Tapered, Sector, Color - Right	1	1
9	A	8881026995	Footrest Support Assembly, 70 Degree Non-Tapered, Sector, Color - Left	1	1
9	A	8881026996	Footrest Support Assembly, 70 Degree Tapered, Sector, Color - Right	1	1
9	A	8881026997	Footrest Support Assembly, 70 Degree, Tapered, Sector, Color - Left	1	1
9	A	8881062596	Footrest Support Assembly, 90 Degree, Sector, Color - Right	1	1
9	A	8881062597	Footrest Support Assembly, 90 Degree, Sector, Color - Left	1	1
10	A	8881038231	Kit, 3" Extension w/ Hardware (Pair)	1	1
11		1026703	Kit, Pivot/Slide Tube Mounting Hardware (Pair)	1	1
12		1045267	Screw, Hex Head w/ Patch (1/4-20 x 3/4")	1	1
13		1026099	Spacer, Coved (1/4 x 11/16 x 1/2")	1	1
14	D	1020534	Insert, Threaded	1	1
	B	1026987	Guard, Impact (8" L)	1	1

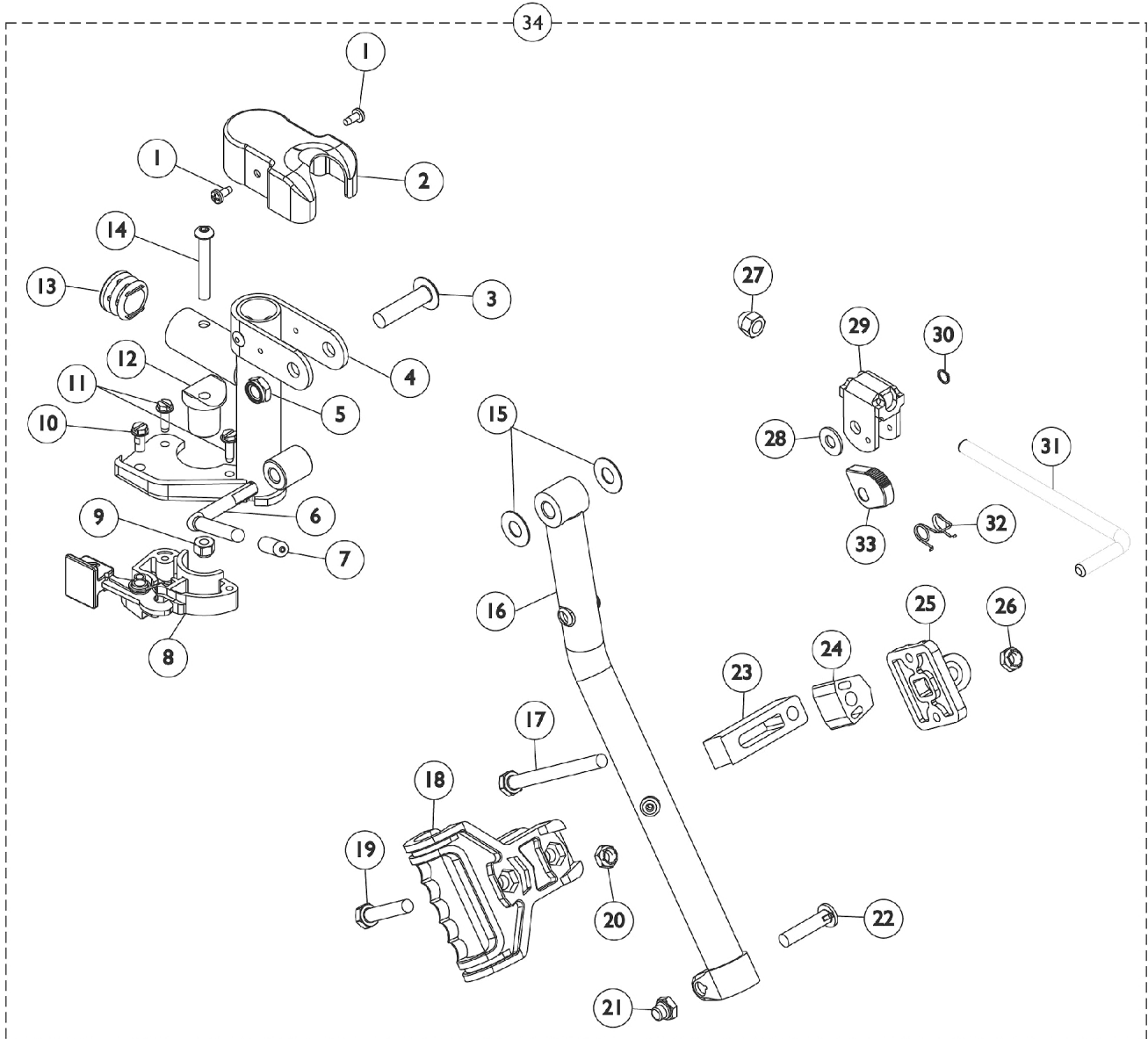
Footrest Support Assemblies

Swingaway 60 Degree, 70 Degree, and 90 Degree

NOTE: A - Specify frame finish when ordering.
B - Not Shown. For 70 deg. Tapered Footrest.
C - MFX Style Footrests take 2 per Assembly
D - As of 8/15/03, the Threaded Insert was revised from 3 to 5 Holes. Threaded Insert is Backward Compatible and does not require ordering in Pairs.

Footrest Supports for chairs built Before 4/91 must be replaced with a pair. Also, new sectors must be ordered (105457-Right and 1054572-Left) for all model chairs built Before 4/4/95.

Legrest Support Assemblies (AT5044)



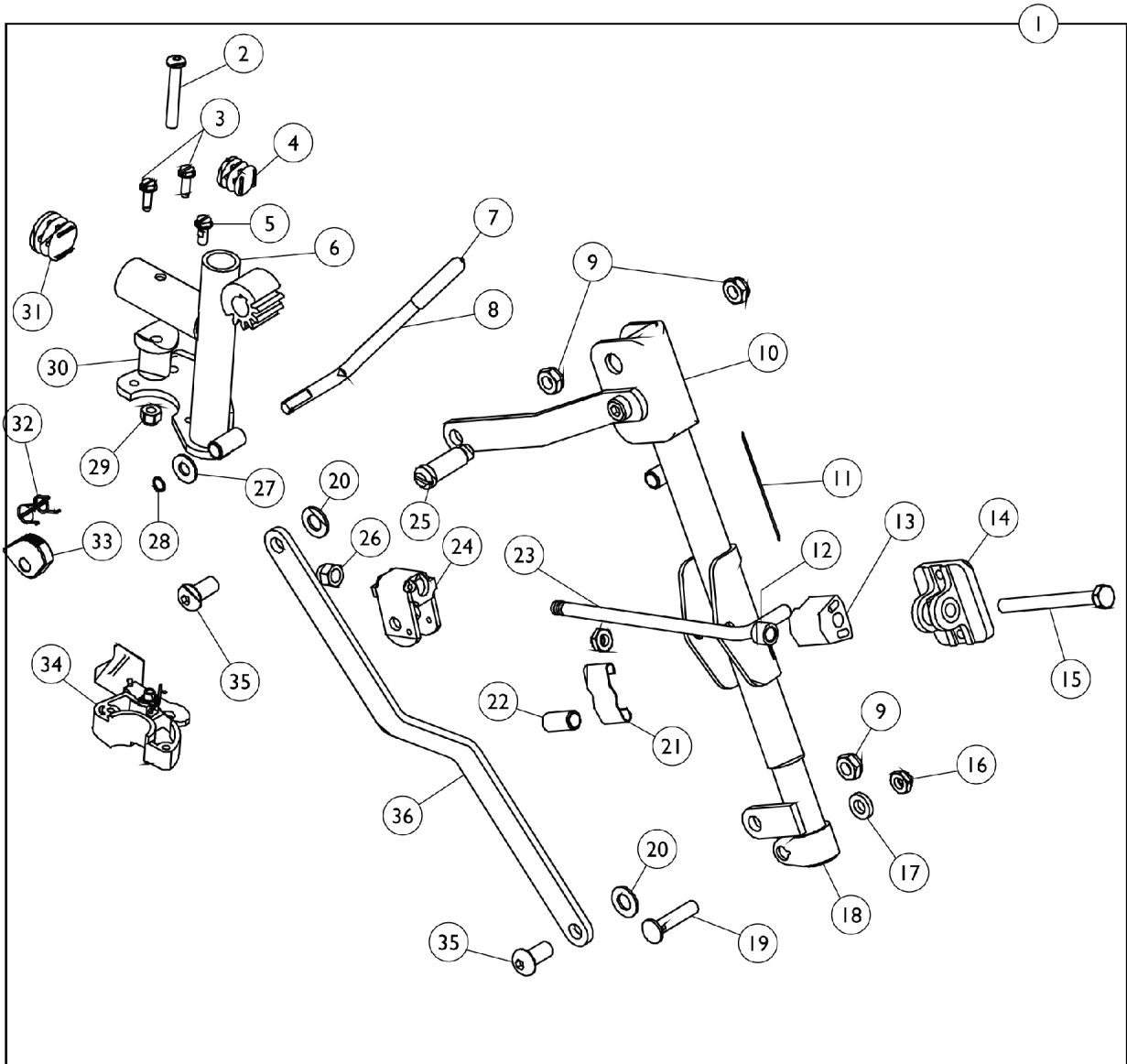
Legrest Support Assemblies (AT5044)

Item Number	Note	Part Number	Description	Quantity Per	
				Package	Assembly
1		1025729	Screw, Phillips Pan Head Tap (#8-32 x 3/8")	1	2
2		1017187	Cover, Top	1	1
3		11919X000-NLA	NLA - Screw, Slotted Truss Head (3/8-16 x 1-1/2")	1	1
4	A	8881045289	Bracket, Legrest Support, Color - Right	1	1
4	A	8881045290	Bracket, Legrest Support, Color - Left	1	1
5		40363X000	Hex Nut (3/8"-16)	1	1
6		1037126	Handle, Release	1	1
7		1040060	Tip, Plastic, Black	1	1
8		1025454	Housing, Latch - Right	1	1
9		1025736	Locknut (1/4-20)	1	1
10		1017423	Screw, Slotted Hex Washer Head w/ Patch (#10-32 x 1/2")	1	1
11		1025451	Screw, Slotted Hex Washer Head (#10-32 x 5/8")	1	2
12		1017148	Pivot, Footrest	1	1
13		1029501	Plug Button, Black (1")	1	1
14		1001762	Screw, Socket Button Head (1/4-20 x 1-3/4")	1	1
15		1058636-NLA	NLA - Washer, Nylon (25/64 x 7/8 x 1/32")	1	2
16	A	8881048851	Tube, Elevating Adjustable Support, Color - Right	1	1
16	A	8881048852	Tube, Elevating Adjustable Support, Color - Left	1	1
17		1037110	Screw, Hex Head (5/16-24 x 3-1/2")	1	1
18		1032266	Bracket, Legrest Pad Mounting, Black	1	1
19		1028514	Screw, Hex Head (5/16-24 x 1-1/2")	1	1
20		1025730	Locknut (5/16-24)	1	1
21		1107321	Nut, Low Cap (5/16"-24)	1	1
22		1026030	Bolt, Lug (5/16-24 x 1-3/8")	1	1
23		1032267	Spacer, Legrest Pad Mounting, Black	1	1
24		1025133	Spacer, Legrest Pad, Black	1	1
25		04526X019	Plate, Legrest Pad	1	1
26		1025730	Locknut (5/16-24)	1	1
27		10261X000	Nut, Acorn (5/16-24)	1	1
28		1013519	Washer, Nylon (5/16 x 11/16 x 1/16")	1	1
29		04528X002	Bracket, Release, Black	1	1
30		1040831	Ring, Snap	1	1
31		42326X001	Bar, Ratchet	1	1
32		1037485	Spring, Release	1	1
33		1037125	Cam, Legrest	1	1
34	A,B	8881045291	Legrest Support Assembly, Sector, Color - Right	1	1
34	A,B	8881045292	Legrest Support Assembly, Sector, Color - Left	1	1

NOTE: A - Specify frame finish when ordering
B - Includes Items 1-33

Articulating Legrests - ATL4A

MVP and Xtra Articulating Legrests are Available in Black Frame Finish with Pull to Wheel Locks ONLY.



Articulating Legrests - ATL4A

MVP and Xtra Articulating Legrests are Available in Black Frame Finish with Pull to Wheel Locks ONLY.

Item Number	Note	Part Number	Description	Quantity Per	
				Package	Assembly
1		1082540	Articulating Legrest Support Assembly, Sector, Chrome - Right	1	1
1		1082541	Articulating Legrest Support Assembly, Sector, Chrome - Left	1	1
2		1001762	Screw, Socket Button Head (1/4-20 x 1-3/4")	1	1
3		1025451	Screw, Slotted Hex Washer Head (#10-32 x 5/8")	1	2
4		1027097	Plug Button, Black (3/4")	1	1
5		1017423	Screw, Slotted Hex Washer Head w/ Patch (#10-32 x 1/2")	1	1
6		1082538-NLA	NLA - Tube, Legrest Support, Articulating, Sector, Chrome - Right	1	1
6		1082539-NLA	NLA - Tube, Legrest Support, Articulating, Sector, Chrome - Left	1	1
7		1040060	Tip, Plastic, Black	1	1
8		1037126	Handle, Release	1	1
9		40363X000	Hex Nut (3/8"-16)	1	3
10		1022877-NLA	NLA - Tube, Support and Drive Link, Chrome - Right	1	1
10		1022878-NLA	NLA - Tube, Support and Drive Link, Chrome - Left	1	1
11		1024911-NLA	NLA - Decal, Smartleg	1	1
12		47330X003	Spacer (5/16 x 1/2 x 3/8")	1	1
13		1025133	Spacer, Legrest Pad, Black	1	1
14		04526X019	Plate, Legrest Pad	1	1
15		1014807	Screw, Hex Head (5/16-24 x 3-1/4")	1	1
16		60264X001	Locknut (5/16-24)	1	2
17		1027377	Washer (#20)	1	1
18		1022849	Tube, Slide, Articulating, Chrome - Left	1	1
18		1022848	Tube, Slide, Articulating, Chrome - Right	1	1
19		11232X009	Bolt, Lug (5/16-24 x 1-3/8")	1	1
20		1049527	Washer, Nylon (3/8 x 3/4 x 1/16")	1	2
21		48823X008	Spring, Leaf	1	1
22		47328X003	Bushing, Pivot (5/16 x 7/16 x 7/8")	1	1
23		42326X004	Bar, Ratchet - Right/Left	1	1
24		04528X002	Bracket, Release, Black	1	1
25		1022854-NLA	NLA - Screw, Shoulder Slotted Head (1/2 x 1-1/8", 3/8-16)	1	1
26		10261X000	Nut, Acorn (5/16-24)	1	1
27		1013519	Washer, Nylon (5/16 x 11/16 x 1/16")	1	1
28		1037485	Spring, Release	1	1
29		1025736	Locknut (1/4-20)	1	1
30		1017148	Pivot, Footrest	1	1
31		1029501	Plug Button, Black (1")	1	1
32		1037485	Spring, Release	1	1
33		1037125	Cam, Legrest	1	1
34		1025455	Housing, Latch - Left	1	1
34		1025454	Housing, Latch - Right	1	1

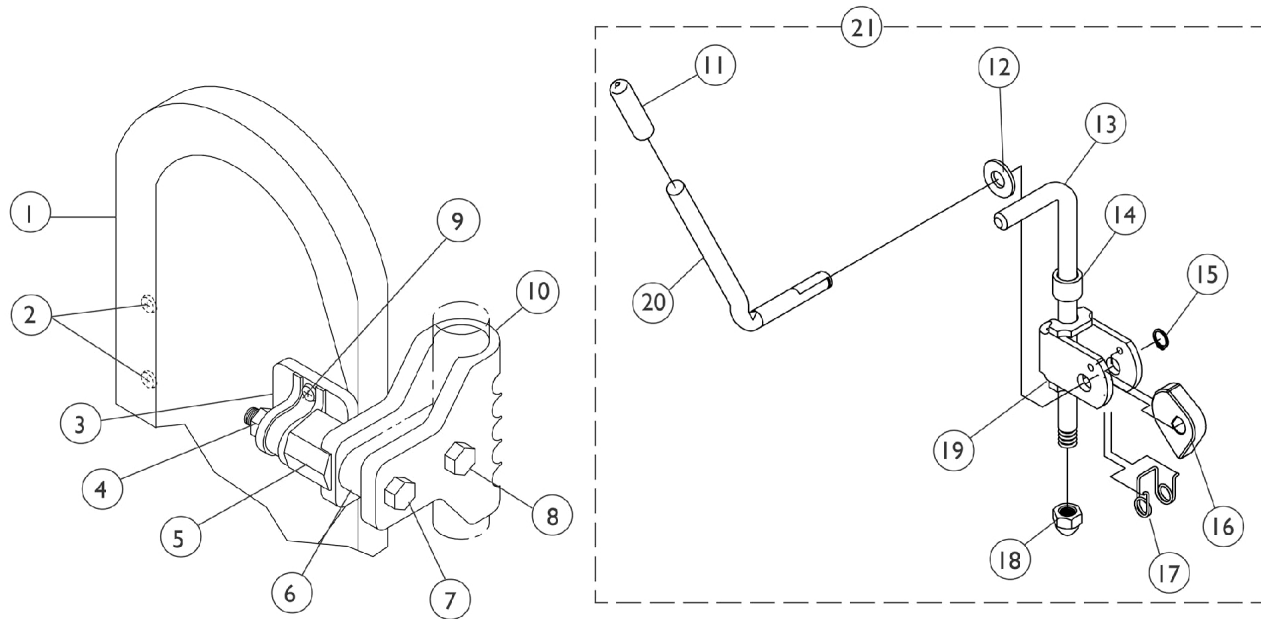
Articulating Legrests - ATL4A

MVP and Xtra Articulating Legrests are Available in Black Frame Finish with Pull to Wheel Locks ONLY.

Item Number	Note	Part Number	Description	Quantity Per	
				Package	Assembly
35		1022866-NLA	NLA - Screw, Socket Button Head (3/8-16 x 3/4")	1	2
36		1022846-NLA	NLA - Bar, Link, Black	1	1

Legrest Calf Pads and Ratchet Assemblies

Due to a change to the Legrest Calf Pad size made on 4/23/12, you must also order the hardware kit (1066591) when ordering replacement Calf Pads.



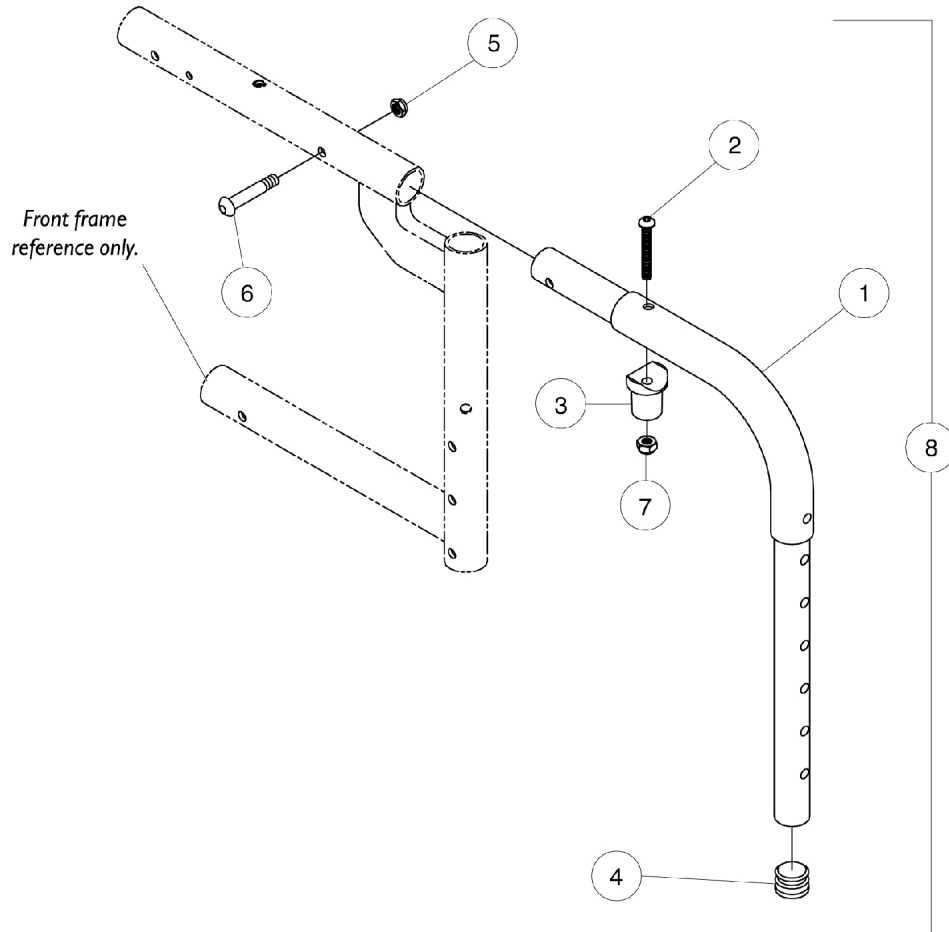
Legrest Calf Pads and Ratchet Assemblies

Due to a change to the Legrest Calf Pad size made on 4/23/12, you must also order the hardware kit (1066591) when ordering replacement Calf Pads.

Item Number	Note	Part Number	Description	Quantity Per	
				Package	Assembly
1	A,B,E	88804529X003	Pad, Legrest, Vinyl - Right	1	1
1	A,B,E	88804529X004	Pad, Legrest, Vinyl - Left	1	1
1	A,C,E	8881091764	Pad, Legrest, Vinyl - Right/Left	1	1
2		40163X006-NLA	NLA - Screw, Phillips Pan Head (#10-14 x 1/16")	1	2
3		04526X019	Plate, Legrest Pad	1	1
4		1025730	Locknut (5/16-24)	1	1
5		1025133	Spacer, Legrest Pad, Black	1	1
6		1032267	Spacer, Legrest Pad Mounting, Black	1	1
7		1037110	Screw, Hex Head (5/16-24 x 3-1/2")	1	1
8		1028514	Screw, Hex Head (5/16-24 x 1-1/2")	1	1
9	D	1066591	Hardware, Legrest Pad	1	1
			Screw, Phillips Pan Head (#10-32 x 11/16")	1	2
			Screw, Phillips Pan Head (#10-32 x 1")	1	2
			Instruction Sheet, Legrest Pad Mtg.	1	1
10		1032266	Bracket, Legrest Pad Mounting, Black	1	1
11		1040060	Tip, Plastic, Black	1	1
12		1013519	Washer, Nylon (5/16 x 11/16 x 1/16")	1	1
13		42326X001	Bar, Ratchet	1	1
14		47330X003	Spacer (5/16 x 1/2 x 3/8")	1	2
15		1040831	Ring, Snap	1	1
16		1037125	Cam, Legrest	1	1
17		1037485	Spring, Release	1	1
18		10261X000	Nut, Acorn (5/16-24)	1	1
19		04528X002	Bracket, Release, Black	1	1
20		1037126	Handle, Release	1	1
21		1096974	Kit, Elevating Legrest Ratchet Hardware (Pair)	2	1

NOTE: A - Specify U67 upholstery color when ordering.
 B - 14-15" Wide Chairs
 C - 16-22" Wide Chairs
 D - Includes Screws and Instruction Sheet.
 E - Due to a change to the Legrest Calf Pad size made on 4/23/12, you must also order the hardware kit (1066591) when ordering replacement Calf Pads.

90 Degree Fixed Supports



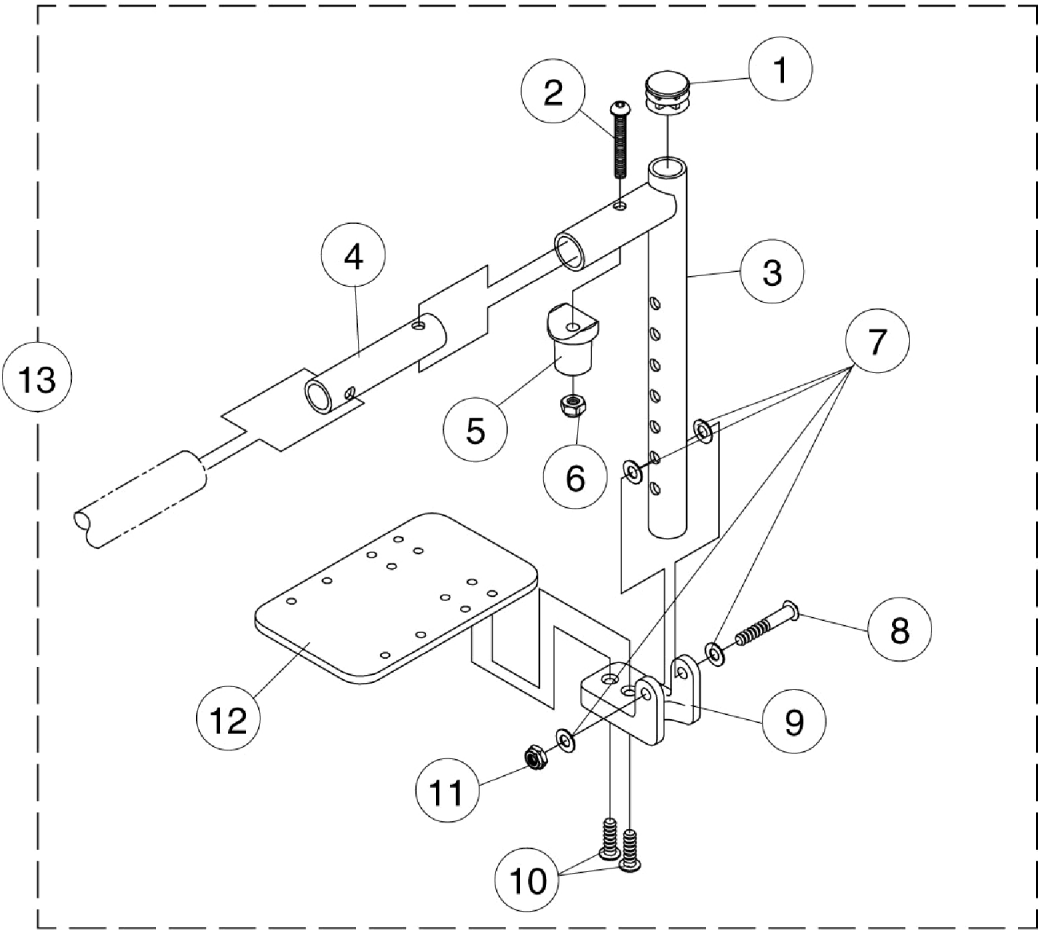
90 Degree Fixed Supports

Item Number	Note	Part Number	Description	Quantity Per	
				Package	Assembly
1	A	8881029426-NL A	NLA - Tube, Support, Color	1	1
2		1001762	Screw, Socket Button Head (1/4-20 x 1-3/4")	1	1
3		1017148	Pivot, Footrest	1	1
4		1027097	Plug Button, Black (3/4")	1	1
5		1025195	Locknut (1/4-20)	1	1
6		1001762	Screw, Socket Button Head (1/4-20 x 1-3/4")	1	1
7		1025736	Locknut (1/4-20)	1	1
8	A	8881029462-NL A	NLA - Footrest Support Assembly w/ Hardware, 90 Degree, Color - Right/Left	2	1

NOTE: A - Specify frame finish when ordering.

90 Degree Fixed Support Footrest Assembly - AT5043

Before 2/92

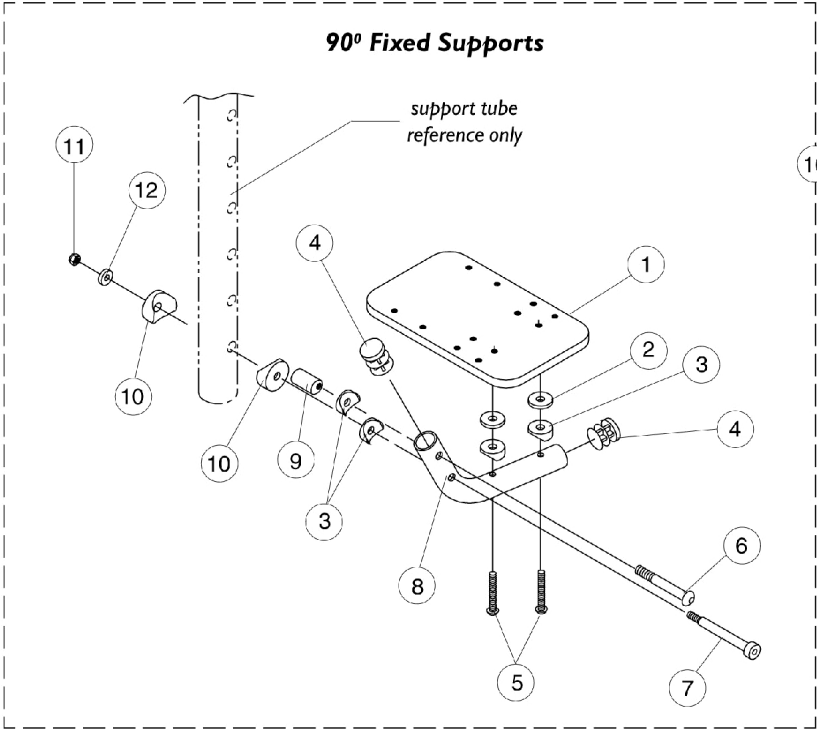
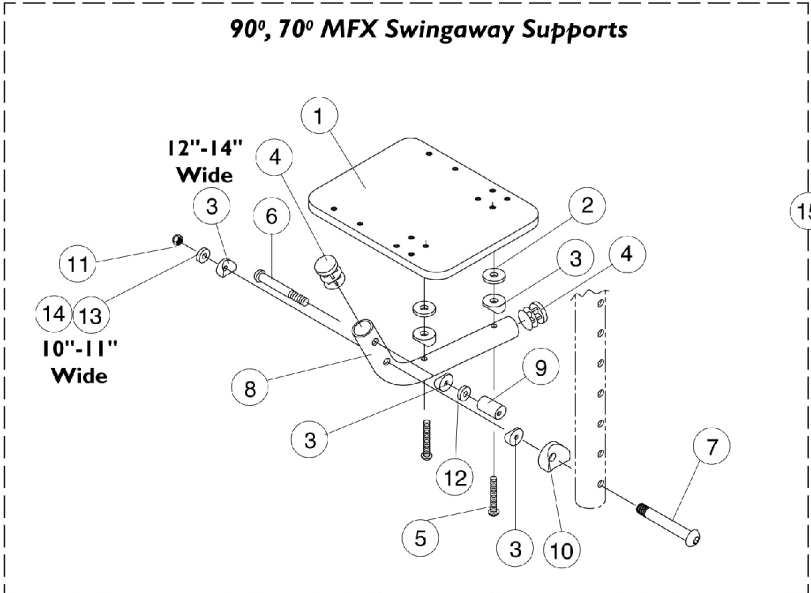


90 Degree Fixed Support Footrest Assembly - AT5043 Before 2/92

Item Number	Note	Part Number	Description	Quantity Per	
				Package	Assembly
1		1027097	Plug Button, Black (3/4")	1	1
2		1001762	Screw, Socket Button Head (1/4-20 x 1-3/4")	1	1
3	A	1018168-NLA	NLA - Tube, Support	1	1
4		1018166-NLA	NLA - Tube, Insert	1	1
5		1017148	Pivot, Footrest	1	1
6		1025736	Locknut (1/4-20)	1	1
7		1026152-NLA	NLA - Washer (1/4 x 5/8 x 1/32")	1	4
8		1023968-NLA	NLA - Screw, Socket Button Head (1/4-20 x 1-7/16")	1	1
9		1022817-NLA	NLA - Block, Hinge	1	1
10		1025716	Screw, Phillips Pan Head (#10-32 x 11/16")	1	2
11		1025195	Locknut (1/4-20)	1	1
12	B	1044078-NLA	NLA - Footplate, Black (3-1/4" W x 5-1/4" L) (10" W)	1	1
12	C	1044082-NLA	NLA - Footplate, Black (4-1/4" W x 5-1/4" L) (12" W)	1	1
13	A,B	8881026652-NL A	NLA - Footrest Assembly, 90 Degree Fixed Support w/ Flip-Up Footplate, Color - Right (10" W)	1	1
13	A,B	8881026653-NL A	NLA - Footrest Assembly, 90 Degree Fixed Support w/ Flip-Up Footplate, Color - Left (10" W)	1	1
13	A,C	8881026654-NL A	NLA - Footrest Assembly, 90 Degree Fixed Support w/ Flip-Up Footplate, Color - Right (12" W)	1	1
13	A,C	8881026655-NL A	NLA - Footrest Assembly, 90 Degree Fixed Support w/ Flip-Up Footplate, Color - Left (12" W)	1	1
NOTE: A - Specify frame finish when ordering. B - 10" Wide Chairs C - 12" Wide Chairs					

90 Degree Fixed Support Footrest Assembly - AT5043

After 1/92

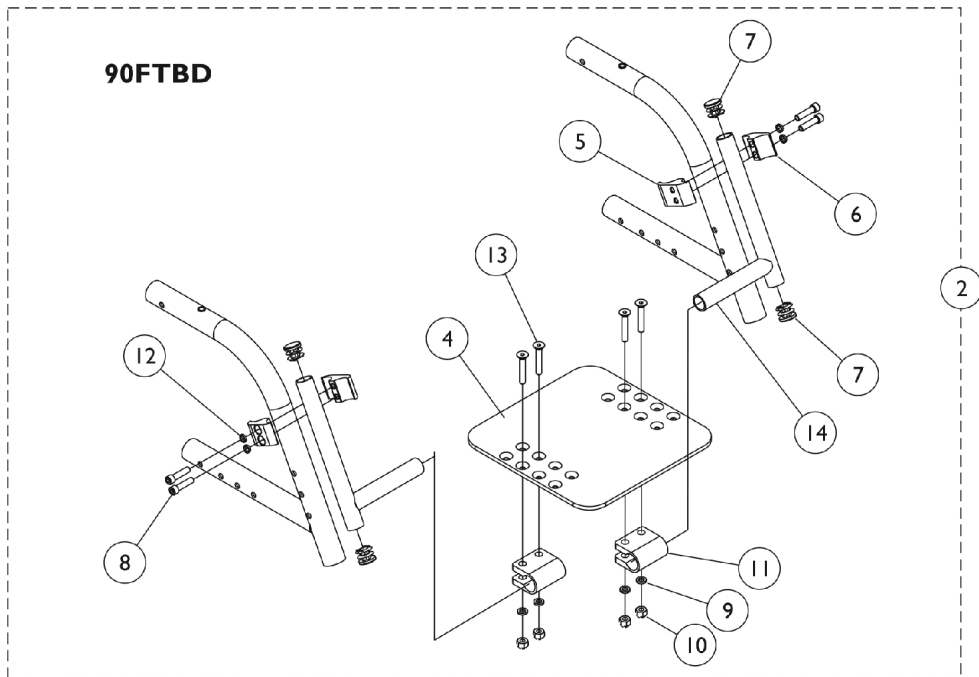
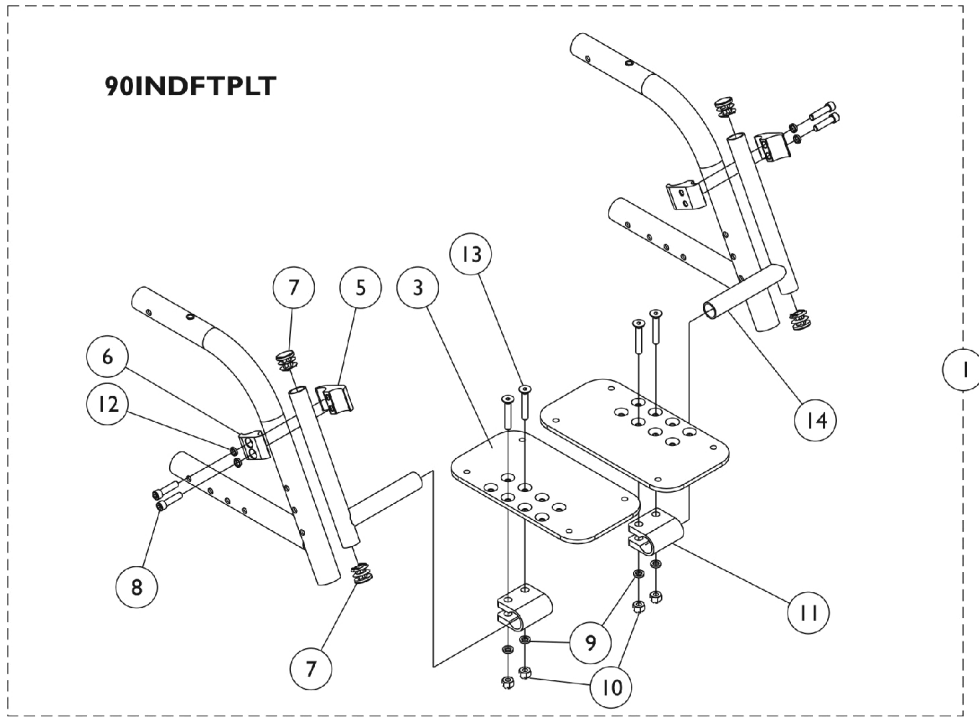


90 Degree Fixed Support Footrest Assembly - AT5043 After 1/92

Item Number	Note	Part Number	Description	Quantity Per	
				Package	Assembly
1	A	1044078-NLA	NLA - Footplate, Black (3-1/4" W x 5-1/4" L) (10" W)	1	1
1	B	1044082-NLA	NLA - Footplate, Black (4-1/4" W x 5-1/4" L) (12" W)	1	1
2		1029454-NLA	NLA - Washer, Nylon (3/16 x 3/4 x 5/32")	1	2
3		1025457	Spacer, Coved (1/4 x 3/4 x 11/32")	1	4
4		1027097	Plug Button, Black (3/4")	1	2
5		1163311	Screw, Socket Button Head (10-32 x 1-1/4")	1	2
6		1008495	Screw, Socket Button Head (1/4-20 x 1-1/2")	1	1
7	A	1030952	Screw, Shoulder Hex Socket Head (1/4" x 2", #10-24)	1	1
7	B	1023967-NLA	NLA - Screw, Socket Button Head (1/4-20 x 2-5/8")	1	1
8	A	1029429-NLA	NLA - Tube, Footrest, Black	1	1
8	B	1029428-NLA	NLA - Tube, Footrest, Black	1	1
9		1028417-NLA	NLA - Cam, Adjustment	1	1
10		40157X020	Spacer, Coved (1/4 x 1 x 9/16")	1	1
11		1025732-NLA	NLA - Locknut (#10-24)	1	1
12	A	1026034-NLA	NLA - Washer, Nylon (3/16 x 7/16 x 1/8")	1	1
13	A	1025715	Washer (1/4" x 7/16" x 1/16")	1	1
14	B	1018739	Washer (1/4 x 5/8 x 3/32")	1	1
15	A,C	1029432-NLA	NLA - Flip-Up Footplate Assembly - Right	1	1
15	A,C	1029433-NLA	NLA - Flip-Up Footplate Assembly - Left	1	1
15	B,C	1029434-NLA	NLA - Flip-Up Footplate Assembly, Black - Right	1	1
15	B,C	1029435-NLA	NLA - Flip-Up Footplate Assembly, Black - Left	1	1
16	A,D	1032699-NLA	NLA - Flip-Up Footplate Assembly - Right	1	1
16	A,D	1032700-NLA	NLA - Flip-Up Footplate Assembly - Left	1	1
16	B,D	1032703-NLA	NLA - Flip-Up Footplate Assembly - Right	1	1
16	B,D	1032704-NLA	NLA - Flip-Up Footplate Assembly - Left	1	1
NOTE: A - 10-11" Wide Chairs B - 12-14" Wide Chairs C - Swingaway Front Frames D - Fixed Front Frames					

Adjustable Angle Footrest

90INDFTPLT and 90FTBD

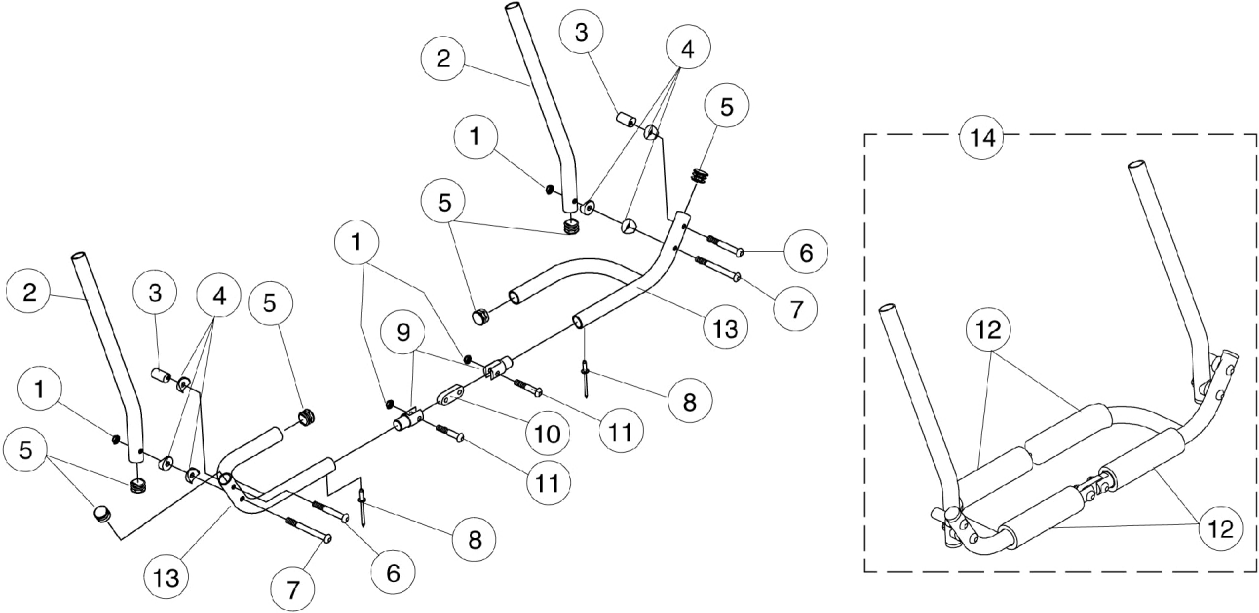


Adjustable Angle Footrest 90INDFTPLT and 90FTBD

Item Number	Note	Part Number	Description	Quantity Per	
				Package	Assembly
1	A,E	1060470-NLA	NLA - Footplate Assembly, Adjustable Angle (10-13" W) (Pair)	2	1
1	A,F	1064536-NLA	NLA - Footplate Assembly, Adjustable Angle (14-15" W) (Pair)	2	1
1	A,G	1064537-NLA	NLA - Footplate Assembly, Adjustable Angle (16" W) (Pair)	2	1
2	B,C	1059602-NLA	NLA - One Piece Adjustable Angle Footboard Assembly (10-11" W)	1	1
2	B,D	1059603-NLA	NLA - One Piece Adjustable Angle Footboard Assembly (12-13" W)	1	1
2	B,F	1064534-NLA	NLA - One Piece Adjustable Angle Footboard Assembly (14-15" W)	1	1
2	B,G	1064535-NLA	NLA - One Piece Adjustable Angle Footboard Assembly (16" W)	1	1
3	E	1113571	Footplate, Adjustable Angle, Small, Black (3-1/4" W x 8" L)	1	2
3	F,H	1113572	Footplate, Adjustable Angle, Medium, Black (4-1/4" W x 8" L)	1	2
3	G,H	1113573	Footplate, Adjustable Angle, Large, Black (5-1/4" W x 8" L)	1	2
4	C	1058512-NLA	NLA - One Piece Footboard Assembly (10-11" W)	1	1
4	D	1058513-NLA	NLA - One Piece Footboard Assembly (12-13" W)	1	1
4	F	1063277-NLA	NLA - One Piece Footboard Assembly (14-15" W)	1	1
4	G	1063278-NLA	NLA - One Piece Footboard Assembly (16" W)	1	1
5		1043712	Clamp, Half, Threaded	1	2
6		1043711	Clamp, Half, Non-Threaded	1	2
7		1027097	Plug Button, Black (3/4")	1	4
8		1027268	Screw, Allen Head (1/4-20 x 1")	1	4
9		1013971	Washer, Nylon (1/4 x 7/16 x 5/64")	1	4
10		1065362	Locknut (1/4-28)	1	4
11		1058517	Clamp, Footplate	1	2
12		1013970-NLA	NLA - Lockwasher, High Collar (1/4")	1	4
13		1029545	Screw, Socket Flat Head (1/4-20 x 3/4")	1	2
14		1042009-NLA	NLA - Tube, Support, Footplate, Black	1	2

NOTE: A - Includes items 3 and 5 thru 14.
 B - Includes items 4 and 5 thru 14.
 C - 10-11" wide chairs
 D - 12-13" wide chairs
 E - 10-13" wide chairs
 F - 14-15" wide chairs
 G - 16" wide chairs
 H - Replacement for chairs built before 9/2/2008 must be ordered in pairs.

Folding Footrest



Folding Footrest

Item Number	Note	Part Number	Description	Quantity Per	
				Package	Assembly
1		1025195	Locknut (1/4-20)	1	1
2		1025748-NLA	NLA - Tube, Slide, 60 Degree, Black	1	2
2		1039228-NLA	NLA - Tube, Slide, 80 Degree, Black	1	2
3		1028417-NLA	NLA - Cam, Adjustment	1	2
4		1025457	Spacer, Coved (1/4 x 3/4 x 11/32")	1	6
5		1027097	Plug Button, Black (3/4")	1	6
6		1008495	Screw, Socket Button Head (1/4-20 x 1-1/2")	1	2
7		1002108-NLA	NLA - Screw, Socket Button Head (1/4-20 x 2")	1	2
8		16348X000-NLA	NLA - Rivet (3/16 x 7/16")	1	2
9		1025749-NLA	NLA - Pivot, Joint	1	2
10		1028418-NLA	NLA - Plate, Pivot	1	1
11		1009837	Screw, Socket Button Head (1/4-20 x 1")	1	2
12		See Chart	#12 Foam Pad	1	1
13		See Chart	#13 Tubular Footrest	1	1
14		See Chart	#14 Tubular Footrest Assembly	1	1

#12 Foam Pad

Pad Type	14" Wide	15" Wide	16" Wide	17" Wide	18" Wide	19" Wide	20" Wide
Closed End	1028433-NLA	1028432-NLA	1028431-NLA	1028430-NLA	1028429-NLA	1028428-NLA	1006229
Open End	1028440-NLA	1028439-NLA	1028438-NLA	1028437-NLA	1028436-NLA	1028435-NLA	1028434-NLA

#13 Tubular Footrest

Right/Left	14" Wide	15" Wide	16" Wide	17" Wide	18" Wide	19" Wide	20" Wide
Right	1025790-NLA	1025792-NLA	1025794-NLA	1025796-NLA	1025798-NLA	1025800-NLA	1025802-NLA
Left	1025791-NLA	1025793-NLA	1025795-NLA	1025797-NLA	1025799-NLA	1025801-NLA	1025803-NLA

#14 Tubular Footrest Assembly

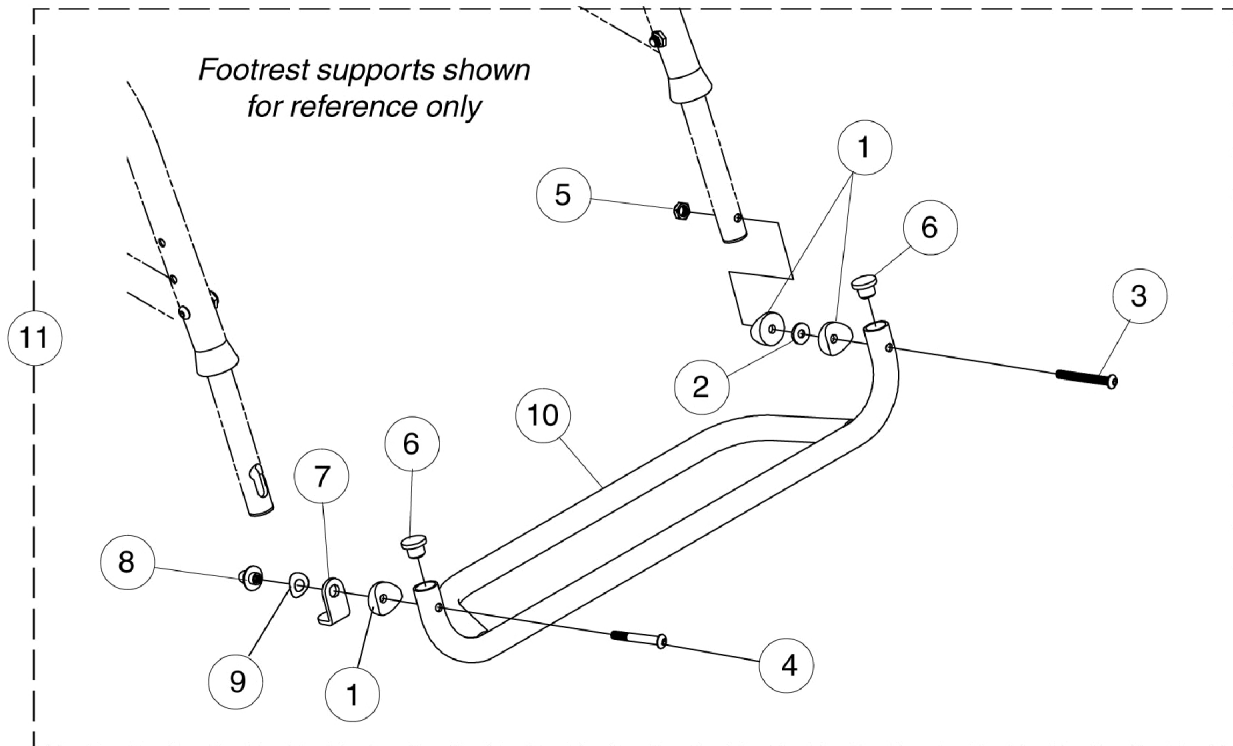
Footrest Type	14" Wide	15" Wide	16" Wide	17" Wide	18" Wide	19" Wide	20" Wide
60 Degree	1030168-NLA	1030169-NLA	1030170-NLA	1030171-NLA	1030172-NLA	1030173-NLA	1030174-NLA

Folding Footrest

#14 Tubular Footrest Assembly

Footrest Type	14" Wide	15" Wide	16" Wide	17" Wide	18" Wide	19" Wide	20" Wide
80 Degree	1040270-NLA	1040271-NLA	1040272-NLA	1040273-NLA	1040274-NLA	1040275-NLA	1040276-NLA

One Piece Tubular Footrest



One Piece Tubular Footrest

Item Number	Note	Part Number	Description	Quantity Per	
				Package	Assembly
1		1069059	Spacer, Coved (1/4 x 1/2 x 9/16")	1	3
2		1025456	Washer, Nylon (3/4 x 1/4 x 1/32")	1	1
3		1068505-NLA	NLA - Screw, Socket Button Head (1/4-28 x 2")	1	1
4		1059284-NLA	NLA - Screw, Socket Button Head (1/4-28 x 1-1/4")	1	1
5		1025735	Locknut (#10-32)	1	1
6		1027097	Plug Button, Black (3/4")	1	2
7		1069041	Latch, Black	1	1
8		1068503	Knob	1	1
9		1068506	Washer, Wave (3/8 x 3/4 x 1/8")	1	1
10		See Chart	#10 Footrest Tube	1	1
11		See Chart	#11 Tubular Footrest Assembly	1	1

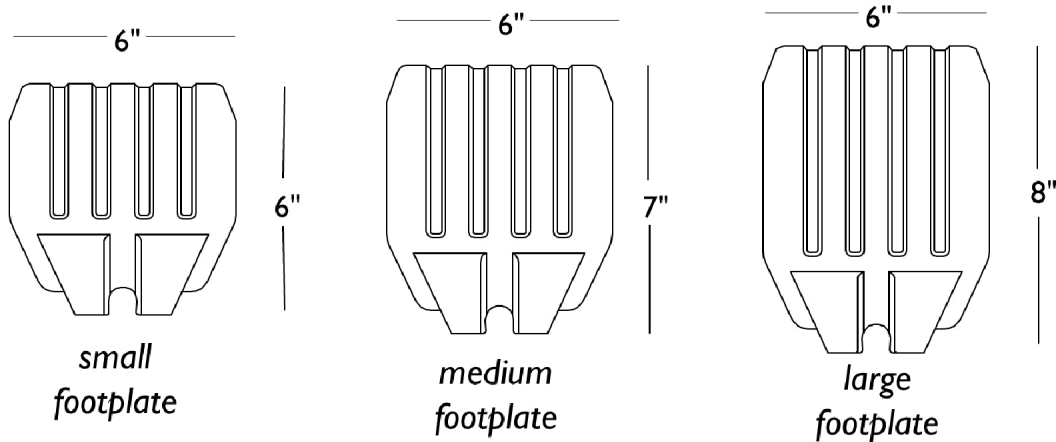
#10 Footrest Tube

Footrest Finish	14" Wide	15" Wide	16" Wide	17" Wide	18" Wide	19" Wide	20" Wide
Black Anodized	1068881-NLA	1068882-NLA	1068883-NLA	1068884-NLA	1068885-NLA	1068886-NLA	1068887-NLA
Black Powder Coat	1068888-NLA	1068889-NLA	1068890-NLA	1068891-NLA	1068892-NLA	1068893-NLA	1068894-NLA

#11 Tubular Footrest Assembly

Footrest Finish	14" Wide	15" Wide	16" Wide	17" Wide	18" Wide	19" Wide	20" Wide
Black Anodized	1068895-NLA	1068896-NLA	1068897-NLA	1068898-NLA	1068899-NLA	1068900-NLA	1068901-NLA
Black Powder Coat	1068922-NLA	1068923-NLA	1068924-NLA	1068925-NLA	1068926-NLA	1068927-NLA	1068928-NLA

Pivot/Slide Tube w/ Footplate Assy. - Composite - 1651 (Not Including Heel Loops)



60 Degree (13-19") Curved End

Right/Left	Small Long 14"	Small 2" Longer 14"	Medium Long 15"-16"	Medium 2" Longer 15"-16"	Large Long 17"-22"	Large 2" Longer 17"-22"
Right	1028391	1032627-NLA	1028387	1032625-NLA	1028383	1032623-NLA
Left	1028392	1032628-NLA	1028388	1032626-NLA	1028384	1032624-NLA

Pivot/Slide Tube w/ Footplate Assy. - Composite - 1651 (Not Including Heel Loops)

60 Degree MFX (9-3/4-14") Curved End

Right/Left	Small Short 14"	Medium Short 15"-16"	Large Short 17"-22"
Right	1028389-NLA	1028385-NLA	1028381-NLA
Left	1028390-NLA	1028386-NLA	1028382-NLA

70 Degree (14-19") Straight

Right/Left	Small Short 14"	Small 2" Longer 14"	Medium Short 15"-16"	Medium 2" Longer 15"-16"	Large Short 17"-22"	Large 2" Longer 17"-22"
Right	1042784-NLA	1042790	1042786	1042792	1042788	1042794
Left	1042785-NLA	1042791	1042787	1042793	1042789	1042795

70 Degree Tapered (14-1/2-19-1/2") Straight

Right/Left	Small Short 16"-17"	Small 2" Longer 16"-17"	Medium Short 18"-19"	Medium 2" Longer 18"-19"	Large Short 20"-22"	Large 2" Longer 20"-22"
Right	1042784-NLA	1042790	1042786	1042792	1042788	1042794
Left	1042785-NLA	1042791	1042787	1042793	1042789	1042795

Pivot/Slide Tube w/ Footplate Assy. - Composite - 1651 (Not Including Heel Loops)

Fixed Front End

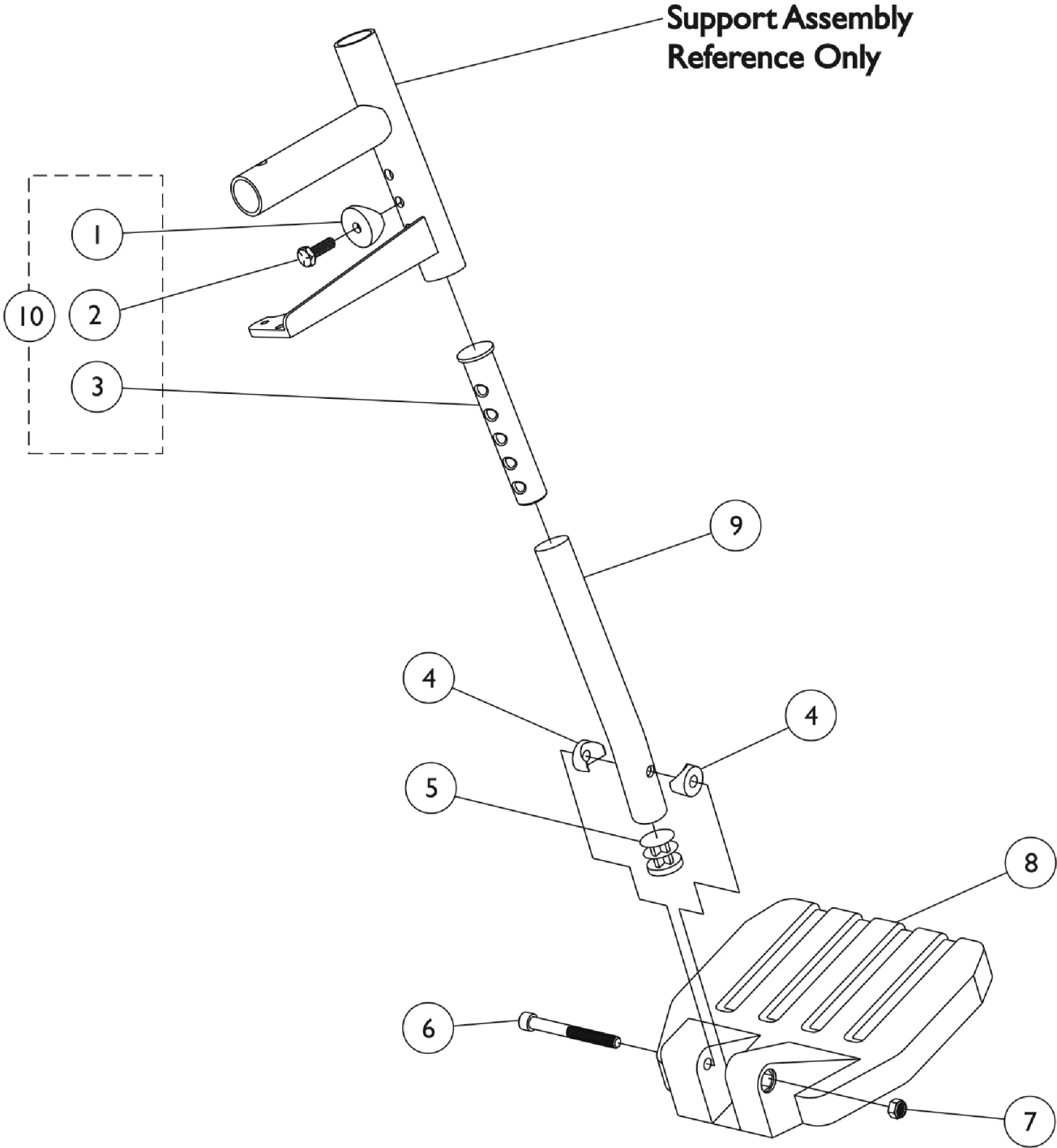
Right/Left	Small Short 14"	Medium Short 15"-16"	Large Short 17"-22"
Right	1061968-NLA	1061970-NLA	1061972-NLA
Left	1061969-NLA	1061971-NLA	1061973-NLA

Elevating Legrest (16-20") Curved End

Right/Left	Small Long 14"	Small 2" Longer 14"	Medium Long 15"-16"	Medium 2" Longer 15"-16"	Large Long 17"-22"	Large 2" Long 17"-22"
Right	1028391	1032627-NLA	1028387	1032625-NLA	1028383	1032623-NLA
Left	1028392	1032628-NLA	1028388	1032626-NLA	1028384	1032624-NLA

After 11/93 Straight Slide Tubes are used on 70 degree Tapered and 70 degree Non-Tapered Supports. All chairs made before 12/93 had Slide Tubes with the Curved End, use the 60 degree chart for reference.

Pivot/Slide Tube w/ Footplate Assembly - Composite - 1651

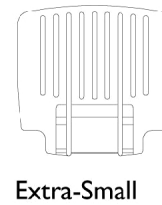
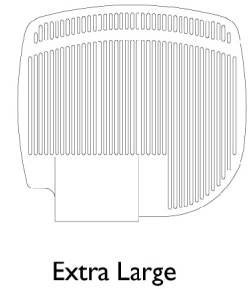
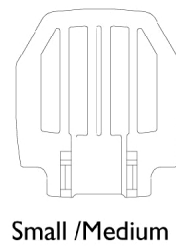
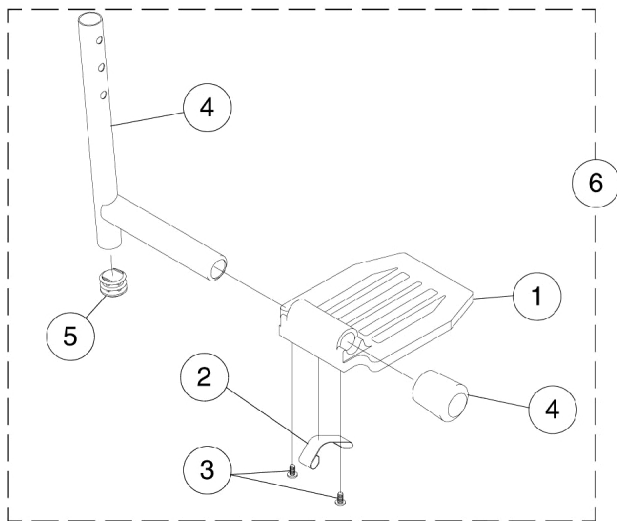


Pivot/Slide Tube w/ Footplate Assembly - Composite - 1651

Item Number	Note	Part Number	Description	Quantity Per	
				Package	Assembly
1		1026099	Spacer, Coved (1/4 x 11/16 x 1/2")	1	1
2		1045267	Screw, Hex Head w/ Patch (1/4-20 x 3/4")	1	1
3	B	1020534	Insert, Threaded	1	1
4		1025457	Spacer, Coved (1/4 x 3/4 x 11/32")	1	2
5		1027097	Plug Button, Black (3/4")	1	1
6		60285X006	Screw, Socket Head (1/4-20 x 2-1/4")	1	1
7		1013519	Washer, Nylon (5/16 x 11/16 x 1/16")	1	1
8		1026879	Footplate, Composite, Small, Black (6" W x 6" L)	1	1
8		1026880	Footplate, Composite, Medium, Black (7" W x 6" L)	1	1
8		1026881	Footplate, Composite, Large, Black (8" W x 6" L)	1	1
9		1120383	Tube, Pivot/Slide, Curved End, Black - Short (8-1/4")	1	1
9		1120382	Tube, Pivot/Slide, Curved End, Black - Long (9-7/8")	1	1
9		1120386	Tube, Pivot/Slide, Curved, 2" Longer, Black (11-7/8")	1	1
9		1120384-NLA	NLA - Tube, Pivot/Slide, Straight - Alum. (9-7/8" L)	1	1
9		1120385	Tube, Pivot/Slide, Straight - Black (11-7/8" L)	1	1
9		1061967	Tube, Pivot/Slide, Straight, Black (5-1/2")	1	1
10	A	1026703	Kit, Pivot/Slide Tube Mounting Hardware (Pair)	1	1

NOTE: A - Item 10 includes Items 1, 2 and 3
 B - As of 8/15/03, the Threaded Insert was revised from 3 to 5 Holes. Threaded Insert is Backward Compatible and does not require ordering in Pairs.

Pivot/Slide Tube w/ Footplate Assy. - Aluminum - A1562/A1564



Pivot/Slide Tube w/ Footplate Assy. - Aluminum - A1562/A1564

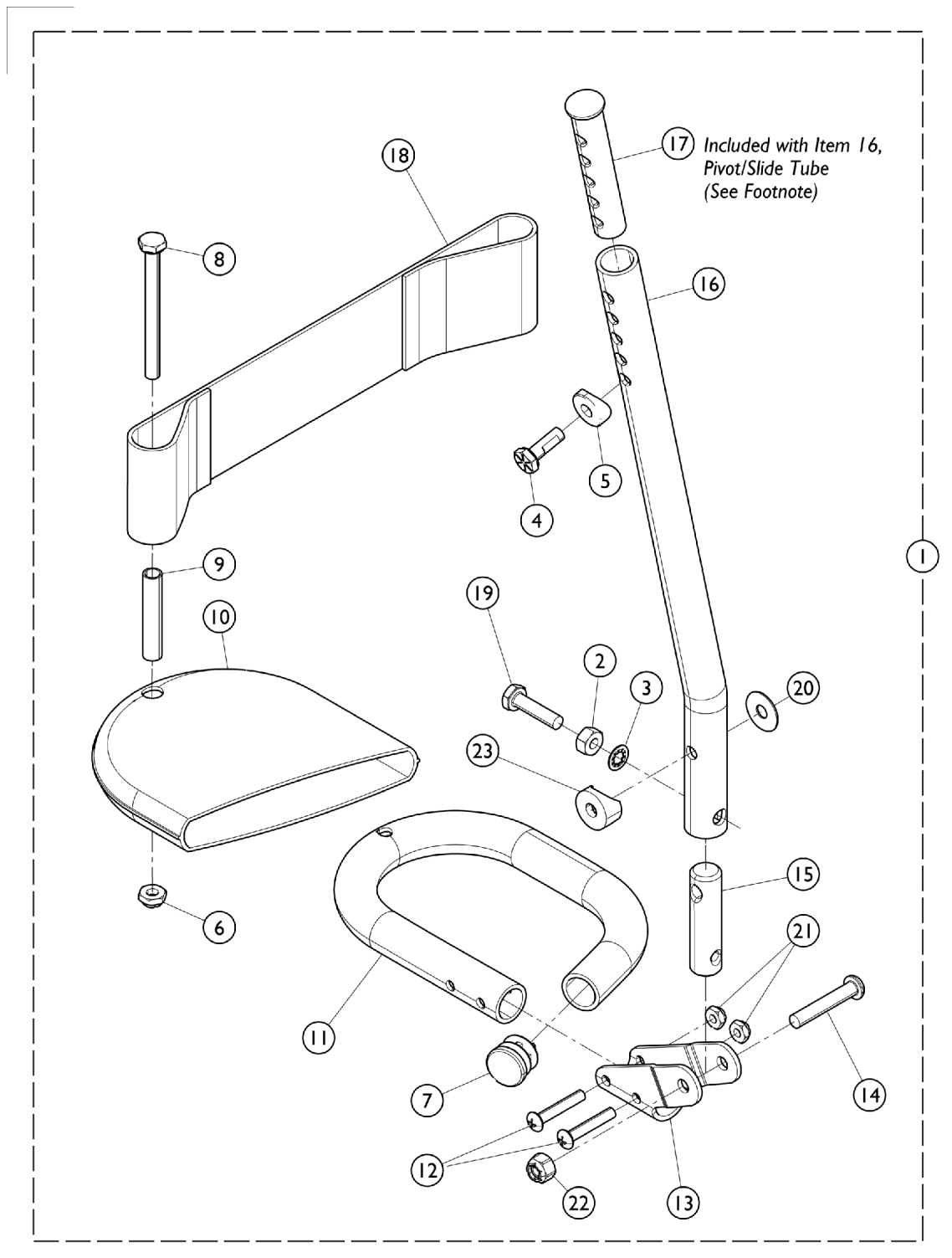
Item Number	Note	Part Number	Description	Quantity Per	
				Package	Assembly
1		44200X032-NLA	NLA - Footplate, Aluminum, Extra Small, Black (5-3/4" W x 6" L)	1	1
1		44200X059	Footplate, Aluminum, Small, Black (6-3/4" W x 6" L)	1	1
1		44200X027	Footplate, Aluminum, Medium, Black (7-3/4" W x 6" L)	1	1
1		44200X025	Footplate, Aluminum, Extra Large, Black - Right (8" W x 8-1/2" L)	1	1
1		44200X026	Footplate, Aluminum, Extra Large, Black - Left (8" W x 8-1/2" L)	1	1
2	A	1006981	Spring, Tension	1	1
2	C,B	1036123	Spring, Leaf	1	1
3		1025729	Screw, Phillips Pan Head Tap (#8-32 x 3/8")	1	2
4		1048834	Pivot/Slide Tube w/ Plug Button, Black	1	1
5		1027097	Plug Button, Black (3/4")	1	1
6		See Chart	Pivot Slide Tube with Footplate	1	1

NOTE: A - Small and Medium Footplates
 B - Extra Large Footplates
 C - Use one or more leaf springs per assembly as required such that footplate may be moved by hand to the up-right position and remain in place.

#6 Pivot Slide Tube with Footplate

Footplate Size	Chair Width	Standard Length	2" Longer	4" Longer
Extra Small Right	12-13"	1026398-NLA	N/A	N/A
Extra Small Left	12-13"	1026399-NLA	N/A	N/A
Small Right	14-15"	1041542-NLA	N/A	N/A
Small Left	14-15"	1041543-NLA	N/A	N/A
Medium Right	16-20"	1026401	N/A	N/A
Medium Left	16-20"	1026402	N/A	N/A
Extra Large Right	16-20"	1026395	1086515	1086516
Extra Large Left	16-20"	1026396	1086517	1086518

Pivot/Slide Tube w/ Tubular Footplates with Attaching Hardware and Heel Loops



Pivot/Slide Tube w/ Tubular Footplates with Attaching Hardware and Heel Loops

Item Number	Note	Part Number	Description	Quantity Per	
				Package	Assembly
1	B	See Chart	#1 Tubular Footplate Assembly	1	1
2		1025711-NLA	NLA - Nut, Hex (1/4-20)	1	1
3		1026108	Lockwasher (1/4 x 15/32 x 1/64")	1	1
4		1045267	Screw, Hex Head w/ Patch (1/4-20 x 3/4")	1	1
5		1026099	Spacer, Coved (1/4 x 11/16 x 1/2")	1	1
6		1025195	Locknut (1/4-20)	1	1
7		1027097	Plug Button, Black (3/4")	1	1
8		1025709-NLA	NLA - Screw, Hex Head (1/4-20 x 2-3/4")	1	1
9		1006477-NLA	NLA - Spacer (1/4 x 11/32 x 1-3/4")	1	1
10	C	1008552-NLA	NLA - Cover, Footplate - Medium	1	1
10		1008553-NLA	NLA - Cover, Footplate - Large	1	1
11		1026404-NLA	NLA - Tube, Footrest, Black - Medium	1	1
11		1026405-NLA	NLA - Tube, Footrest, Black - Large	1	1
12		1025714	Screw, Phillips Pan Head (#10-32 x 1-1/8")	1	2
13		1012182-NLA	NLA - Bracket, Pivot, Black	1	1
14		1023968-NLA	NLA - Screw, Socket Button Head (1/4-20 x 1-7/16")	1	1
15	C	1012158-NLA	NLA - Insert, Lower Slide Tube	1	1
16	A	1026406-NLA	NLA - Tube, Pivot/Slide w/ Threaded Insert, Black	1	1
16	A	1020533-NLA	NLA - Tube, Pivot/Slide w/ Threaded Insert, Black (2" Longer)	1	1
17	A	1020534	Insert, Threaded	1	1
18		1017621	Heel Loop - Right/Left	1	1
19		1025713-NLA	NLA - Screw, Hex Head (1/4-20 x 1")	1	1
20		1025456	Washer, Nylon (3/4 x 1/4 x 1/32")	1	1
21		1025735	Locknut (#10-32)	1	2
22		1025736	Locknut (1/4-20)	1	1
23		1025457	Spacer, Coved (1/4 x 3/4 x 11/32")	1	1

NOTE: A - Pivot/Slide Tube (Item 16) includes the Threaded Insert (Item 17) which can be ordered separately and is identified in the drawing. Item 17 was revised from 3 to 5 Holes as of 8/15/03 and is backward compatible and does not require ordering in pairs.
 B - Includes items 2 - 23.
 C - Part number is no longer available as a service part individually. See item 1 and order a complete Tubular Footplate Assembly as a replacement.

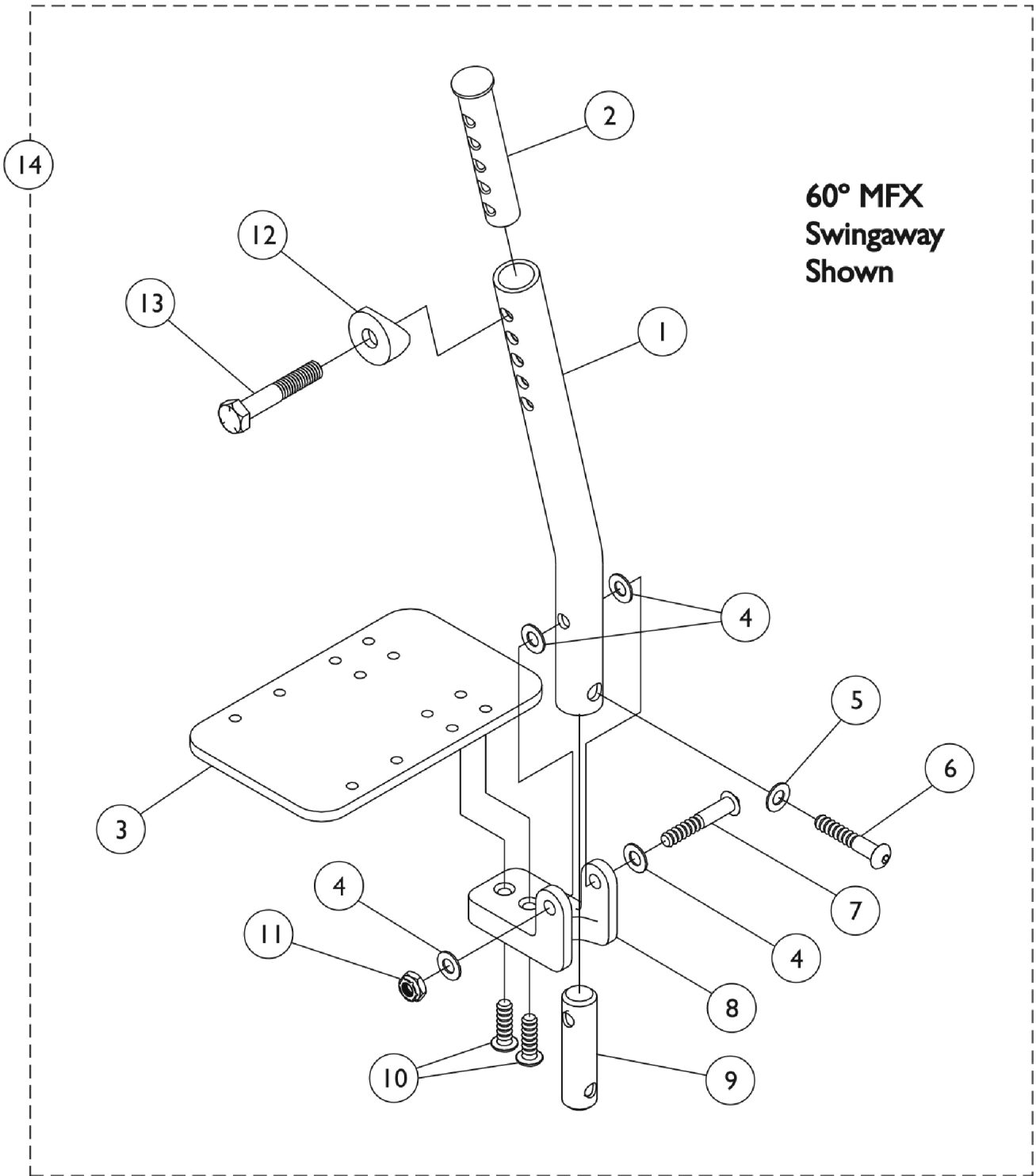
#1 Tubular Footplate Assemblies

Right/Left	Medium 15" W - Non Tapered 16-20" W - Tapered	Medium, 2" Longer 15" W - Non Tapered 16-20" W - Tapered	Large 16-20" W Non Tapered	Large, 2" Longer 16-20" W Non Tapered
Right	1026695-NLA	1055509-NLA	1026699-NLA	1055511-NLA
Left	1026696-NLA	1055510-NLA	1026700-NLA	1055512-NLA

Pivot/Slide Tube w/ Tubular Footplates with Attaching Hardware and Heel Loops

Pivot/Slide Tube w/ Flip-Up Footplates - A1562

60 Degree MFX and 90 Degree Support Assemblies



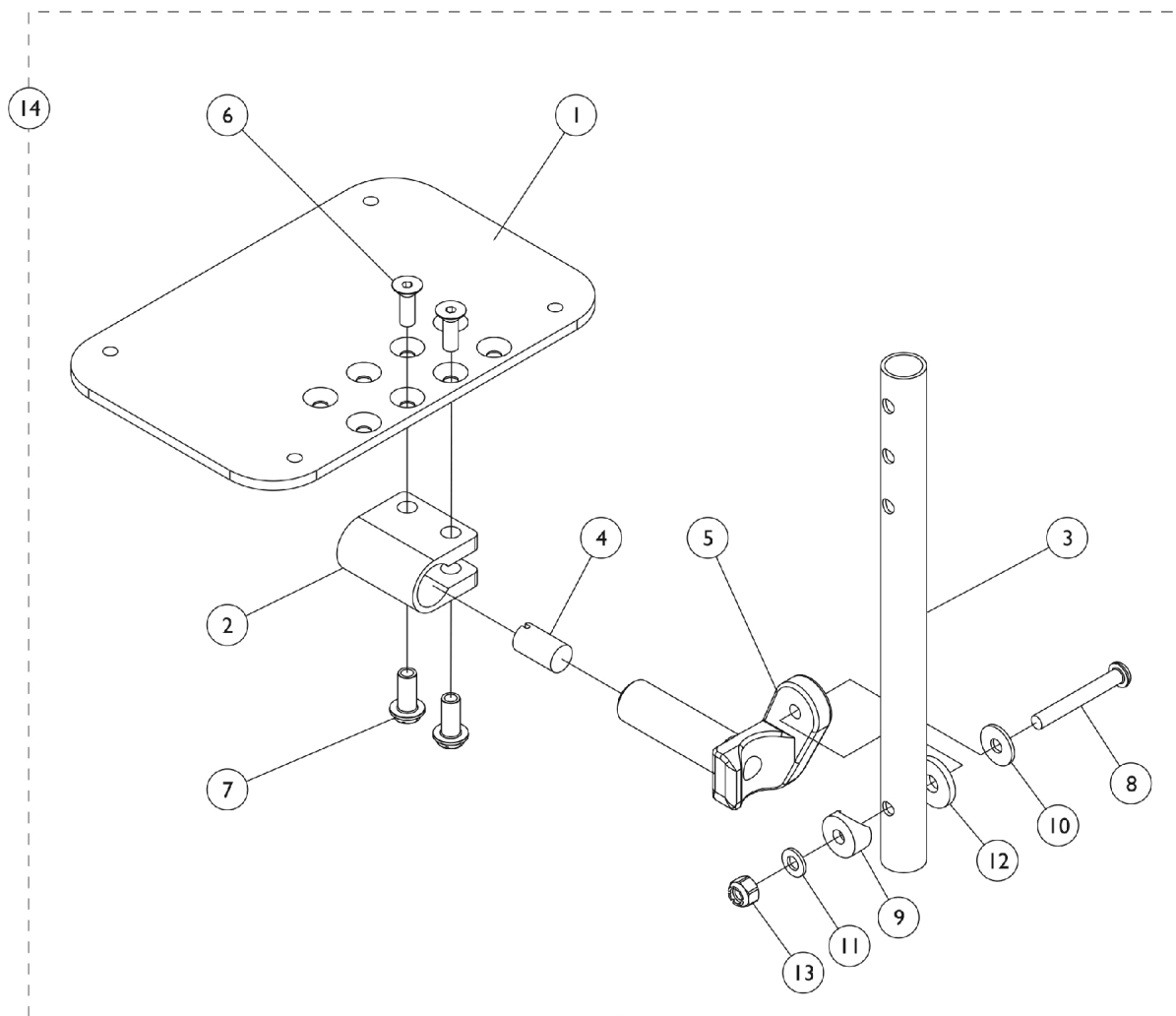
Pivot/Slide Tube w/ Flip-Up Footplates - A1562

60 Degree MFX and 90 Degree Support Assemblies

Item Number	Note	Part Number	Description	Quantity Per	
				Package	Assembly
1		1026407-NLA	NLA - Tube, Pivot/Slide, 60 Degree MFX	1	1
1		1026681-NLA	NLA - Tube, Pivot/Slide, 90 Degree MFX	1	1
2	C	1020534	Insert, Threaded	1	1
3	A	1044078-NLA	NLA - Footplate, Black (3-1/4" W x 5-1/4" L) (10" W)	1	1
3	B	1044082-NLA	NLA - Footplate, Black (4-1/4" W x 5-1/4" L) (12" W)	1	1
4		1026152-NLA	NLA - Washer (1/4 x 5/8 x 1/32")	1	4
5		1026108	Lockwasher (1/4 x 15/32 x 1/64")	1	1
6		1007269	Screw, Socket Button Head (1/4-20 x 5/8")	1	1
7		1023968-NLA	NLA - Screw, Socket Button Head (1/4-20 x 1-7/16")	1	1
8		1022817-NLA	NLA - Block, Hinge	1	1
9	D	1012158-NLA	NLA - Insert, Lower Slide Tube	1	1
10		1025716	Screw, Phillips Pan Head (#10-32 x 11/16")	1	2
11		1025195	Locknut (1/4-20)	1	1
12		1026099	Spacer, Coved (1/4 x 11/16 x 1/2")	1	1
13		1045267	Screw, Hex Head w/ Patch (1/4-20 x 3/4")	1	1
14	A	1026408-NLA	NLA - Pivot Slide Tube w/ Footplate, Black - Right (60 Degree MFX)	1	1
14	A	1026409-NLA	NLA - Pivot Slide Tube w/ Footplate, Black - Left (60 Degree MFX)	1	1
14	B	1026690-NLA	NLA - Pivot Slide Tube w/ Footplate, Black - Right (60 Degree MFX)	1	1
14	B	1026691-NLA	NLA - Pivot/Slide Tube w/ Footplate, Black - Left (60 Degree MFX)	1	1
14	B	1034342-NLA	NLA - Pivot Slide Tube w/ Footplate, Black - Right (90 Degree MFX)	1	1
14	B	1034343-NLA	NLA - Pivot/Slide Tube w/ Footplate, Black - Left (90 Degree MFX)	1	1

NOTE: A - 10" Wide Chairs
 B - 12-14" Wide Chairs
 C - As of 8/15/03, the Threaded Insert was revised from 3 to 5 Holes. Threaded Insert is Backward Compatible and does not require ordering in Pairs.
 D - Part number is no longer available individually. See item 14 and order the complete Pivot Slide Tube w/ Footplate Assembly.

Adjustable Angle Footplate Assemblies - AT5543



Adjustable Angle Footplate Assemblies - AT5543

Item Number	Note	Part Number	Description	Quantity Per	
				Package	Assembly
1	D	1113571	Footplate, Adjustable Angle, Small, Black (3-1/4" W x 8" L)	1	1
1	D	1113572	Footplate, Adjustable Angle, Medium, Black (4-1/4" W x 8" L)	1	1
1	D	1113573	Footplate, Adjustable Angle, Large, Black (5-1/4" W x 8" L)	1	1
1	D	1113574	Footplate, Adjustable Angle, Extra Large, Black (6-1/4" W x 8" L)	1	1
1	D	1113575	Footplate, Adjustable Angle, XX- Large, Black (7-1/4" W x 8" L)	1	1
2		1058517	Clamp, Footplate	1	1
3	A	1120384-NLA	NLA - Tube, Pivot/Slide, Straight - Alum. (9-7/8" L)	1	1
3	A	1120385	Tube, Pivot/Slide, Straight - Black (11-7/8" L)	1	1
3	B	1091745-NLA	NLA - Tube, Pivot/Slide, Straight, Steel, Chrome (13-7/8" L)	1	1
4		1048816	Screw, Nylon Adjustment (1/2-13 x 7/8")	1	1
5		1052102	Hinge, Footplate - Right	1	1
5		1052103	Hinge, Footplate - Left	1	1
6		1029545	Screw, Socket Flat Head (1/4-20 x 3/4")	1	2
7		1082686	Nut, Barrel, Hex Head (1/4-20 x 11/16")	1	2
8		1022831	Screw, Socket Button Head (1/4-20 x 1-7/8")	1	1
9		1025457	Spacer, Coved (1/4 x 3/4 x 11/32")	1	1
10		1026900	Washer (1/4 x 23/32 x 1/16")	1	1
11		1026907	Washer (1/4 x 1/2 x 1/16")	1	1
12		1016301	Washer, Nylon (5/16 x 7/8 x 1/8")	1	1
13		1025736	Locknut (1/4-20)	1	1
14	E	See Chart	60 Degree and 80 Degree Fixed Front	1	1
14	E	See Chart	60 Degree, 60 Degree MFX, 70 Degree Non-Tapered and ELR's	1	1
14	E	See Chart	60 Degree, 60 Degree MFX, 70 Degree Non-Tapered and ELR's - ALPT 2" Longer	1	1
14	E	See Chart	70 Degree Tapered	1	1
14	E	See Chart	70 Degree Tapered - ALPT 2" Longer	1	1
14	E	See Chart	90 Degree and 70 Degree MFX	1	1

NOTE: A - Swingaway Front Riggings
 B - Articulating Legrest
 D - This footplate was revised 9/2/2008 with rounder corners and accessory holes changed from 8 to 4. Recommended to replace footplate in pairs to match sides.
 E - Includes Items 1 thru 13.

#14 60 Degree and 80 Degree Fixed Front (Style chairs)

Straight Slide Tube (5-1/2")	Right	Left
14-15" Wide (3-1/4" Footplate)	1061974-NLA	1061975-NLA

Adjustable Angle Footplate Assemblies - AT5543

#14 60 Degree and 80 Degree Fixed Front (Style chairs)

Straight Slide Tube (5-1/2")	Right	Left
16-17" Wide (4-1/4" Footplate)	1061976-NLA See Note(s) A	1061977-NLA See Note(s) A
18-19" Wide (5-1/4" Footplate)	1061978-NLA	1061979-NLA
20" Wide (6-1/4" Footplate)	1062586	1062587
NOTE: A - Adjustable Angle Footplates 1061976 Rt./ 1061977 Lt. are NLA. Order 1060436 Rt./1060437 Lt. with 1061967 and have assembled.		

#14 60 Degree, 60 Degree MFX, 70 Degree Non-Tapered and ELR's

Straight Slide Tube (9-7/8")	Right	Left
10-11" Wide (3-1/4" Footplate)	1060428-NLA	1060429-NLA
12-13" Wide (4-1/4" Footplate)	1060430	1060431
14-15" Wide (5-1/4" Footplate)	1060432	1060433
16-20" Wide (6-1/4" Footplate)	1062572	1062573
18-22" Wide (7-1/4" Footplate)	1068620	1068621

Adjustable Angle Footplate Assemblies - AT5543

#14 60 Degree, 60 Degree MFX, 70 Degree Non-Tapered and ELR's - ALPT 2" Longer

ALPT Straight Slide Tube (Aluminum 11-7/8")	Right	Left
10-11" Wide (3-1/4" Footplate)	1062574-NLA	1062575-NLA
12-13" Wide (4-1/4" Footplate)	1062576-NLA	1062577-NLA
14-15" Wide (5-1/4" Footplate)	1060440-NLA	1060441
16-18" Wide (6-1/4" Footplate)	1062578	1062579
19-22" Wide (7-1/4" Footplate)	1068622	1068623

#14 70 Degree Tapered

Straight Slide Tube (9-7/8")	Right	Left
13-14" Wide (3-1/4" Footplate)	1060428-NLA	1060429-NLA
15-16" Wide (4-1/4" Footplate)	1060430	1060431
17-18" Wide (5-1/4" Footplate)	1060432	1060433
19-22" Wide (6-1/4" Footplate)	1062572	1062573

#14 70 Degree Tapered - ALPT 2" Longer

ALPT Straight Slide Tube (Aluminum 11-7/8")	Right	Left
13-14" Wide (3-1/4" Footplate)	1062574-NLA	1062575-NLA
15-16" Wide (4-1/4" Footplate)	1062576-NLA	1062577-NLA
17-18" Wide (5-1/4" Footplate)	1060440-NLA	1060441
19-22" Wide (6-1/4" Footplate)	1062578	1062579

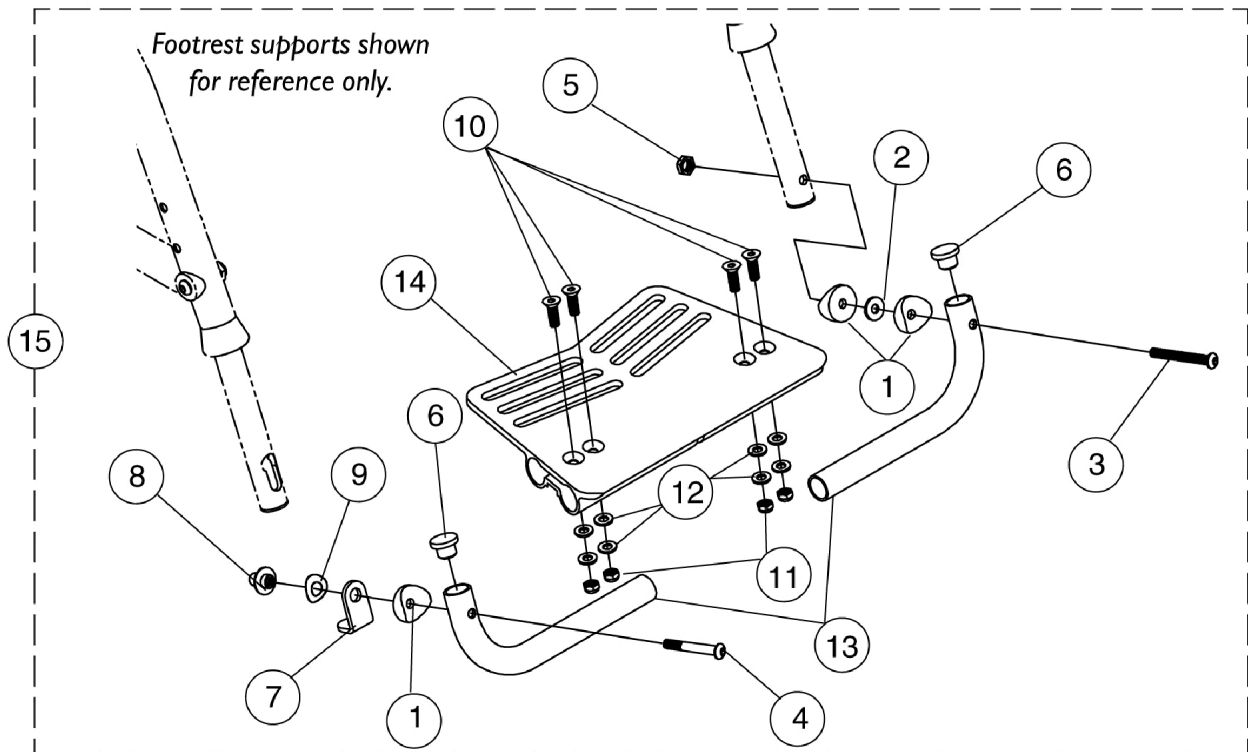
Adjustable Angle Footplate Assemblies - AT5543

#14 Adjustable Angle Footplates w/o Pivot Tubes

90 Degree and 70 Degree MFX

No Slide Tube Bolts Through Support	Right	Left
10-11" Wide (3-1/4" Footplate)	1060434-NLA	1060435-NLA
12-13" Wide (4-1/4" Footplate)	1060436-NLA	1060437
14-15" Wide (5-1/4" Footplate)	1060438	1060439
16-17" Wide (6-1/4" Footplate)	1062570	1062571

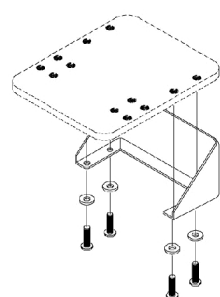
Flip-Up Adjustable Angle Footplates



Flip-Up Adjustable Angle Footplates

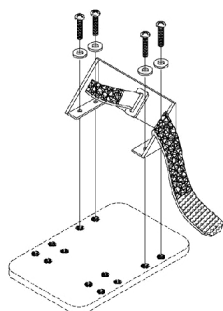
Item Number	Note	Part Number	Description	Quantity Per	
				Package	Assembly
1		1069059	Spacer, Coved (1/4 x 1/2 x 9/16")	1	3
2		1025456	Washer, Nylon (3/4 x 1/4 x 1/32")	1	1
3		1068505-NLA	NLA - Screw, Socket Button Head (1/4-28 x 2")	1	1
4		1059284-NLA	NLA - Screw, Socket Button Head (1/4-28 x 1-1/4")	1	1
5		1025765	Locknut (1/4-28)	1	1
6		1027097	Plug Button, Black (3/4")	1	2
7		1069041	Latch, Black	1	1
8		1068503	Knob	1	1
9		1068506	Washer, Wave (3/8 x 3/4 x 1/8")	1	1
10		1046421-NLA	NLA - Screw, Socket Flat Head (1/4-28 x 1")	1	4
11		1065362	Locknut (1/4-28)	1	4
12		1013971	Washer, Nylon (1/4 x 7/16 x 5/64")	1	8
13		1068821	Tube, Support, Footrest, Black	1	2
14	A	1046464-NLA	NLA - Footplate, One Piece Adjustable Angle, Black	1	1
14	B	1046466	Footplate, One Piece Adjustable Angle	1	1
15	A	1068932-NLA	NLA - One Piece Adjustable Angle Footplate Assembly	1	1
15	B	1068933	One Piece Adjustable Angle Footplate Assembly	1	1
NOTE: A - 14-15" Wide Chairs B - 16-20" Wide Chairs					

Heel Loops & Toe Loops

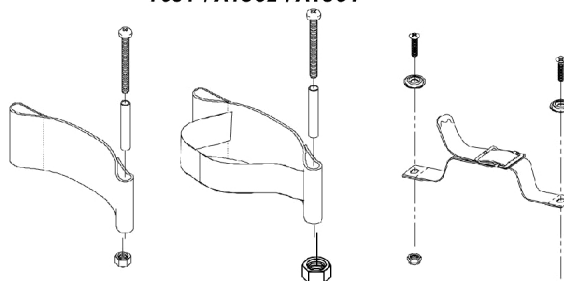


**Heel Loop for
AT5542 / AT5042 / AT5043**

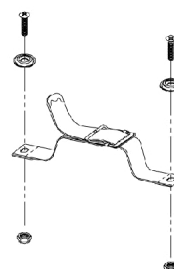
**Heel Loop with
Ankle Strap for
AT5542 / AT5042 / AT5043**



**Heel Loop with
Ankle Strap for
1651 / A1562 / A1564**



**Heel Loop for
1651 / A1562 / A1564**



**Toe Loop for
All Footplates**

Composite Footplates - 1651

Footplate Size	Heel Loop Single #	Heel Loop Pair #	Heel Loop w/ Ankle Strap Single # - Right	Heel Loop w/ Ankle Strap Single # - Left	Heel Loop w/ Ankle Strap Pair #	Attaching Hardware Pair #
Small	1025234-NLA	1035905	1035908-NLA	1035909-NLA	1035906	1035931
Medium	1017621	1035917-NLA	1053313-NLA	1053314-NLA	1053329	1035931
Large	1027000	1035929	1035932-NLA	1035933-NLA	1035930	1035931

Heel Loops & Toe Loops

Aluminum Footplates - A1562

Footplate Size	Heel Loop Single #	Heel Loop Pair #	Heel Loop w/ Ankle Strap Single # - Right	Heel Loop w/ Ankle Strap Single # - Left	Heel Loop w/ Ankle Strap Pair #	Attaching Hardware Pair #
Small (Jr. Only)	1025234-NLA	1035905	1035908-NLA	1035909-NLA	1035906	1035931
Medium	1017621	1035917-NLA	1035919	1035920	1035918	1035931
Large	1027000	1035929	1035932-NLA	1035933-NLA	1035930	1035931

Extra Large Footplates - A1564

Footplate Size	Heel Loop Single #	Heel Loop Pair #	Heel Loop w/ Ankle Strap Single # - Right	Heel Loop w/ Ankle Strap Single # - Left	Heel Loop w/ Ankle Strap Pair #	Attaching Hardware Pair #
Large	1027000	1035929	1035932-NLA	1035933-NLA	1035930	1035931

Adjustable Angle Footplates - AT5543

Footplate Size	Heel Loop Single #	Heel Loop Pair #	Heel Loop w/ Ankle Strap Single # - Right	Heel Loop w/ Ankle Strap Single # - Left	Heel Loop w/ Ankle Strap Pair #	Attaching Hardware Pair #
3-1/4" Wide Footplate	1018269	1036099-NLA	1036097-NLA	1036097-NLA	1036102	1036096
4-1/4" Wide Footplate	1018270	1036100	1027182	1027182	1036103-NLA	1036096
5-1/4" Wide Footplate	1030958-NLA	1036101	1036098	1036098	1036104-NLA	1036096
6-1/4" Wide Footplate	1069037	1109100-NLA	1069038-NLA	1069038-NLA	N/A	1036096

Heel Loops & Toe Loops

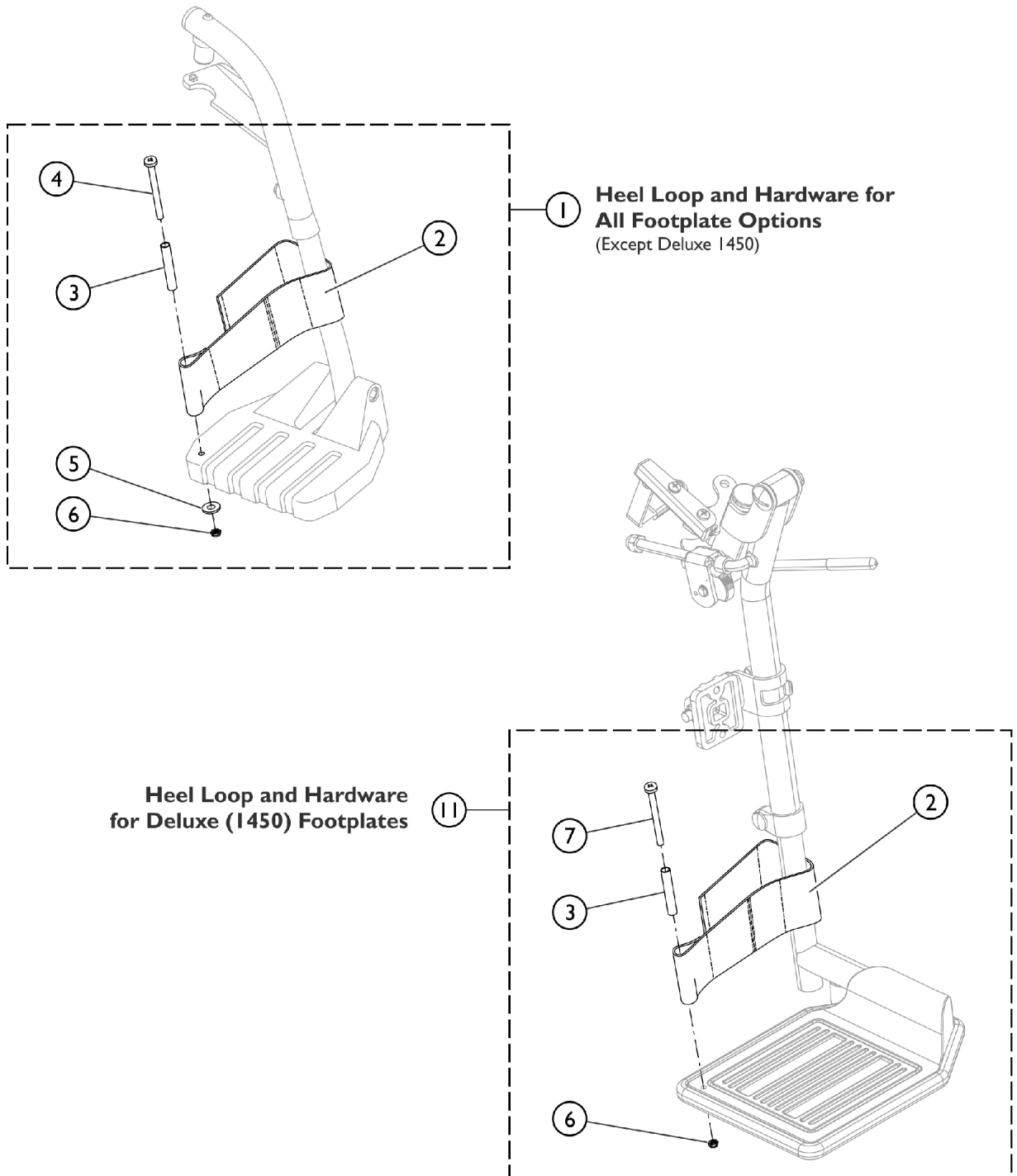
Toe Loops

Toe Loop Single #	Toe Loop Pair #	Attaching Hardware Pair #
04572X025	1037087	1037089

Heel and Toe Loop Attaching Hardware Kits

1035931	1036096	1037089
Kit Includes: (2) Screw, Phillips Pan Head (1/4-20 x 2-1/4") (2) Spacer (1/4 x 11/32 x 1-3/4") (2) Hex Nut w/ Nylon Cap (1/4-20) (2) Flat Washer (1/4 x 5/8 x 1/16")	Kit Includes: 8) Screw, Phillips Pan Head (10-32 x 5/16") (8) Flat Washer	Kit Includes: (4) Screw, Phillips Pan Head (10-32 x 7/8") (4) Washer (1/4 x 3/4 x 3/32") (4) Locknut (10-32)

Front Riggings - Adjustable Heel Loops



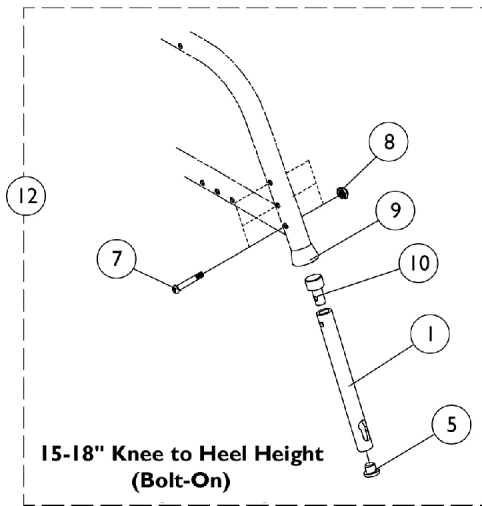
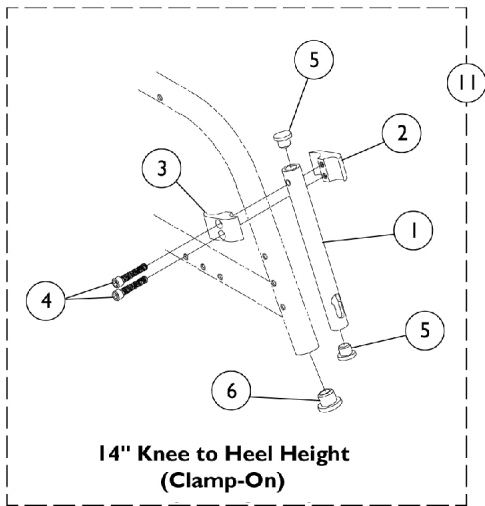
SCM_058A

Front Riggings - Adjustable Heel Loops

Item Number	Note	Part Number	Description	Quantity Per	
				Package	Assembly
1	A	1191117	Kit, Heel Loop, Adjustable w/ Hardware (Pair)	1	1
2			Heel Loop	1	2
3			NLA - Spacer (1/4 x 11/32 x 1-3/4")	1	2
4			NLA - Screw, Phillips Pan Head (1/4-20 x 2-1/4")	1	2
5			Washer, Flat (1/4 x 5/8 x 1/16")	1	2
6			Nut, Hex, Nylon Cap (1/4-20)	1	2
			Instruction Sheet, Adjustable Heel Loop	1	1
11	B	1191116	Kit, Heel Loop, Adjustable w/ Hardware, Deluxe 1450 (Pair)	1	1
2			Heel Loop	1	2
3			NLA - Spacer (1/4 x 11/32 x 1-3/4")	1	2
6			Nut, Hex, Nylon Cap (1/4-20)	1	2
7			NLA - Screw, Phillips Pan Head (1/4-20 x 2-1/2")	1	2
			Instruction Sheet, Adjustable Heel Loop	1	1

NOTE: A - Kit includes items 2 - 6. Used with All Footplates except Deluxe (1450).
 B - Kit includes items 2, 3, 6, and item 7. Used with Deluxe (1450) Footplates only.

Footrest Extension Tubes



Footrest Extension Tubes

Item Number	Note	Part Number	Description	Quantity Per	
				Package	Assembly
1	B	1069004-NLA	NLA - Tube, Footrest Extension - Right	1	1
1	B	1069003-NLA	NLA - Tube, Footrest Extension - Left	1	1
1	C	1069006-NLA	NLA - Tube, Footrest Extension - Right	1	1
1	C	1069005-NLA	NLA - Tube, Footrest Extension - Left	1	1
2		1043712	Clamp, Half, Threaded	1	1
3		1043711	Clamp, Half, Non-Threaded	1	1
4		1027268	Screw, Allen Head (1/4-20 x 1")	1	2
5		1068500-NLA	NLA - Plug Button, Black (3/4")	1	2
6		1056328	Plug Button, Black (1")	1	1
7		1059284-NLA	NLA - Screw, Socket Button Head (1/4-28 x 1-1/4")	1	1
8		1025765	Locknut (1/4-28)	1	1
9		1026124	Collar, Anti-Rattle	1	1
10		1068502-NLA	NLA - Plug, Extension Tube	1	1
11	D	1068982-NLA	NLA - Footrest Extension Tube Assembly (Pair)	2	1
12	E	1068929-NLA	NLA - Footrest Extension Tube Assembly (Pair)	2	1
12	F	1068930-NLA	NLA - Footrest Extension Tube Assembly (Pair)	2	1
	A	1013870-NLA	NLA - Anti-Rattle (1")	1	2
	A	1024786	Bushing, Pivot	1	2

NOTE: A - Not Shown
 B - 14-16" Knee to Heel Height
 C - 16-18" Knee to Heel Height
 D - 14" Knee to Heel
 E - 15-16" Knee to Heel
 F - 16-18" Knee to Heel

Miscellaneous Accessories

Part Number	Description	Package Quantity
1109322-NLA	Back Pack (12-14" Wide) 11" W x 13" H x 4" D	1
1109323	Back Pack (15-22" Wide) 14" W x 12" H x 4" D	1
1027644-NLA	Calf Strap 12-15" Wide (26")	1
1032243	Calf Strap 16-22" Wide (36")	1
1028401-NLA	Caster Swivel Locks -Fixed Front Frames (1 Pair)	2
1026709-NLA	Caster Swivel Locks -Swingaway Front Frames (1 Pair)	2
1068210	Clamp with Hardware, 3/4" to 1"	1
1032251	Frame Protector (1 Pair) (Curved Rear Frames)	2
1032214	H-Strap (12-13" Wide) (24" Long)	1
1032215	H-Strap (14-18" Wide) (26" Long)	1
1032216	H-Strap (19-22" Wide) (31" Long)	1
1026987 See Note(s) A	Impact Guard 8" Long	1
1026846-NLA See Note(s) B	Impact Guard 12" Long	1
1004310	Positioning Strap Auto Syle (12-19" Wide)	1
1034625	Positioning Strap Auto Style (20-22" Wide)	1
1034744	Positioning Strap Hook & Loop (12-19" Wide)	1
1034745	Positioning Strap Hook & Loop (20-22" Wide)	1
1109324	Seat Pouch 8-1/2" W x 7" H x 4" D	1
1032146-NLA	Spoke Guard -20" Wheels (All)	
1032147-NLA	Spoke Guard -22" Wheels (All)	1
1028442-NLA	Spoke Guard -24" Composite Wheels	1
1028441-NLA	Spoke Guard -24" Spoke Wheels	1
1028443-NLA	Spoke Guard -26" Wheels	1
40176X010-NLA	Tire Pump	1
1035965-NLA	Utility Tray - Full Length Arm	1
1035966-NLA	Utility Tray - Desk Length Arm	1
1038599	Wheel Lock Extensions, 6" (1 Pair)	2

NOTE: A - For 70 deg. Tapered Footrest
B - For One Piece Tubular Style Footrest

Invacare Corporation

www.invacare.com



Yes, you can.

One Invacare Way
Elyria, Oh USA
44036-2125
800-333-6900

Technical Support
800-832-4707
Customer Service
800-333-6900

Customer Service
800-333-6900

© 2022 Invacare Corporation. Elyria, Ohio.
Invacare, Yes, you can., MVP, and the
Medallion Design are registered trademarks
and Xtra is a trademark of Invacare
Corporation. KIK is a registered trademark of
KIK Technology, Inc.
All trademarks are owned by or licensed to
Invacare Corporation or its subsidiaries
unless otherwise noted.
(Revised 07/11/22)

Form No. 92-50