

# **Personal Care Commode**



*Yes, you can.*

# Parts Catalog Usage Guide

The information contained in this document is subject to change without notice. This catalog contains service parts for Form No. 92-44. If you have any questions regarding this catalog, please contact one of our Customer Service Representatives.

**For Customer Service Support Call:**

**1-800-333-6900**

**For Faxed In Orders Call:**

**1-800-678-4682 or**

**1-440-366-0709**

**For Technical Service Call:**

**1-800-832-4707**

**Literature Can Be Found at:**

**www.invacare.com or**

**1-800-828-6272**

## SYMBOL DEFINITION

Throughout this catalog you will notice letters to draw your attention to specific footnotes which are located at the bottom of the page or below specified charts.

Examples:

A,B,C etc. = Special Comments

NOTE: = General information pertaining to that specific page

NLA = No Longer Available

## HARDWARE MEASUREMENTS

The measurements for the hardware will be listed as follows:

Screws, Bolts Diameter X Thread Count/Pitch X Length

Washers Inside Diameter X Outside Diameter X Thickness

Spacers Inside Diameter X Outside Diameter X Length

For your convenience, we have supplied an area for you to list your Invacare Representatives.

Name	Phone Numbers

© 2022 Invacare Corporation, Elyria, Ohio. Republication, duplication or modification in whole or in part is prohibited without prior permission from Invacare. Invacare, the Medallion Design and Yes, you can. are registered trademarks of the Invacare Corporation. Information is subject to change without notification.

# TABLE of CONTENTS

<b>Description</b>	<b>Page Number</b>
Adjustable Wheeled Legs (Model 6311-For 9669 Model Only) .....	53
All In One Commode - Model 9630-4, 9630-1 (After 4/14/13) .....	23
All In One Commode - Model 9630-4, 9630-1 (Before 4/15/13), Model 9650-4 (Before 4/15/13)	21
All In One Commode - Model 9650-1, 9650-4 (After 4/14/13) .....	25
Bariatric Commode - Model 6499-BHD .....	13
Bariatric Commode - Model 6500BHD .....	15
Clamp-On Footrests - Model 6086 (For 9669 Model Only) .....	52
Commode Drop Arm - Bariatric (Model 6599) .....	33
Commode Model Number Reference Chart .....	9
Drop Arm Deluxe Stationary Commode - Model 9671 (Discontinued) .....	31
Drop Arm Stationary Commode - Model 9669 .....	29
Extra Wide Commode - Model 6496 .....	10
Folding Commode - Model 9830-4 .....	35
Folding Commode - Model 9830-4 (Warranty Replacement) .....	37
Heavy Duty Commode - Model 6497 .....	12
Most Common Accessories for Discontinued Commodes .....	51
Most Common Commode Accessories .....	50
Packaging & Instruction Sheet .....	4
Rehab Shower/Commode (Mariner) - Model 6795, 6891 and 6895 .....	38
Rehab Shower/Commode Chair - Arms, Commode Seat, Pan/Pan Holder and Touch-Up Paint - Model 6490, 6690, 6492, 6692, 6495 and 6695	44
Rehab Shower/Commode Chair - Casters, Handrims and 24" Wheels - Model 6490, 6690, 6492, 6692, 6495 and 6695	46

# TABLE of CONTENTS

<b>Description</b>	<b>Page Number</b>
Rehab Shower/Commode Chair - Crossbraces, Footrest - Model 6490, 6690, 6492, 6692, 6495 and 6695	42
Rehab Shower/Commode Chair - Handrim Options - Model 6490, 6690, 6492, 6692, 6495 and 6695	49
Rehab Shower/Commode Chair - Model 6490, 6690, 6492, 6692, 6495 and 6695 .....	40
Safeguard Commode w/o Back Tube - Model 9610-4 (After 4/15/13) .....	19
Safeguard Commode w/o Back Tube - Model 9610-4 (Before 4/16/13) .....	16
Seat - Pail - Splash Shield .....	56
Seat & Lid .....	54
Stationary Commode w/ Back Tube - Models 9620-4, 9620-1 .....	27
Toilet Safety Frame - Model 1392 and 635-3 .....	57
Warranty Replacement List .....	6

# Packaging & Instruction Sheet

## Current Models

Model	Cartons	Inserts	Instructions
All In One Commode 9630's, 9640's	1044729-NLA	N/A	1148075-NLA
All In One Commode 9625, 9650	1044730	N/A	1148075-NLA
Drop Arm Commode 9669, 9671	1020629	N/A	1148075-NLA
1019161-NLA NLA - Holder, Pan/Pail	N/A	N/A	1069323-NLA
Rehab Shower Chair 6690, 6692, 6695, 6492, 6495	1052242-NLA	1052240-NLA	1012146-NLA
Mobile Shower Chair 6358	1021705-NLA	N/A	1020707-NLA
Safeguard 9610-4 See Note(s) A	1044729-NLA	N/A	1148075-NLA
Stationary Commode 6496	1105633-NLA	1078340-NLA	1148075-NLA
Stationary Commode 6499-BHD	1105633-NLA	N/A	1148075-NLA
Stationary Commode 9620-4  See Note(s) A	1044729-NLA	N/A	1148075-NLA

NOTE: A - 9610-1 and 9620-1 is no longer available as a single pack.

NOTE: Refer to your Owner's Manual for assistance, when adjusting or replacing parts.

# Packaging & Instruction Sheet

## Discontinued Models

Model	Cartons	Instructions
All in One Commode 7424, 7427  See Note(s) A	1044729-NLA	1019170-NLA
All in One Commode 7425, 7426	1044730	1019170-NLA
Drop Arm Commode 9469, 6468	1020629	1148075-NLA
Drop Arm Commode 6470, 6471	1020629	1023609-NLA
Drop Arm Commode 6469	1020629	1020630-NLA
SafeGuard 6478, 7476	1044730	1019170-NLA
Stationary Commodes 7476, 7456, 7457, 6425	1044730	1019170-NLA
Stationary Commodes 6456, 6458, 7455	1044729-NLA	1019170-NLA

NOTE: A - 7427 is no longer available as a 2 pack.

NOTE: Refer to your Owner's Manual for Assistance, when adjusting or replacing parts.

## Warranty Replacement List

**NOTE: The following part numbers will allow you to order (1) each product (i.e., 7476 Carton Steel Commode 4 pack) for warranty replacement of multi-package item.**

### All In One Commode

Reference Model Number	Warranty Number	Description	Warranty Package
7424 - NLA	9630-1	WARR RPLMT - Coated Steel without Arm Pads	1
7425 - NLA	9630-1	WARR RPLMT - Coated Steel without Arm Pads	1
7426 - NLA	9630-1	WARR RPLMT - Coated Steel with Back Tube	1
7427 - NLA	1055583-NLA	WARR RPLMT - Coated Steel with Arm Pads	1
9640's	1108488-NLA	WARR RPLMT - Chrome with Back Tube	1
9630's	9630-1	WARR RPLMT - Coated Steel with Back Tube	1
9625 - NLA	1064815-NLA	WARR RPLMT - Coated Steel without Arm Pads	1
9650-4	1112198-NLA	WARR RPLMT - All In One Commode	4

NOTE: These part numbers are to be used for warranty replacement purposes only.

### Bariatric/Heavy Duty/Extra Wide Style Commodes

Reference Model Number	Warranty Model Number	Description	Warranty Package
6496	1055588-NLA	WARR RPLMT - Coated Steel without Back	1
6497	1153810-NLA	WARR RPLMT - Commode, Heavy Duty	1
6499-BHD	6499-BHD	WARR RPLMT - Bariatric	1
6500-BHD	1153811-NLA	WARR RPLMT - Commode, Bariatric	1
9830-4	1168467-NLA	WARR RPLMT - Commode, Bariatric	1

NOTE: These part numbers are to be used for warranty replacement purposes only.

## Warranty Replacement List

**NOTE: The following part numbers will allow you to order (1) each product (i.e., 7476 Carton Steel Commode 4 pack) for warranty replacement of multi-package item.**

### Drop Arm Commode

Reference Model Number	Warranty Number	Description	Warranty Package
6468 - NLA	9669	WARR RPLMT - Drop Arm Stationary	1
6469 - NLA	9669	WARR RPLMT - Drop Arm Stationary	1
6470 - NLA	6470	WARR RPLMT - Deluxe Drop Arm Mobile	1
6471 - NLA	9671	WARR RPLMT - Deluxe Drop Arm Stationary	1
6599	6599	WARR RPLMT - Bariatric Drop Arm Commode	1
9669	9669	WARR RPLMT - Drop Arm Stationary	1

NOTE: These part numbers are to be used for warranty replacement purposes only.

NOTE: For mobility with 9669, 9671 order 6311-Adjustable Wheeled Legs.

### Safeguard Commode

Reference Model Number	Warranty Number	Description	Warranty Package
9610's	1064811-NLA	WARR RPLMT - Coated Steel without Back Tube	1

NOTE: These part numbers are to be used for warranty replacement purposes only.

### Stationary Commode

Reference Model Number	Warranty Number	Description	Warranty Package
7455 - NLA	1064812-NLA	WARR RPLMT - Coated Steel without Arm Pads	1
7456 - NLA	1064812-NLA	WARR RPLMT - Coated Steel with Back Tube	1
7457 - NLA	1064812-NLA	WARR RPLMT - Coated Steel with Back Tube	1
6458 - NLA	9640-1	WARR RPLMT - Deluxe Chrome with Arm Pads	1

NOTE: These part numbers are to be used for warranty replacement purposes only.



# Warranty Replacement List

**NOTE:** The following part numbers will allow you to order (1) each product (i.e., 7476 Carton Steel Commode 4 pack) for warranty replacement of multi-package item.

## 3-in-1 Commode

Reference Model Number	Warranty Number	Description	Warranty Package
6478 - NLA	9640-1	WARR RPLMT - Deluxe Chrome with Back Tube	1
7476 - NLA	1064811-NLA	WARR RPLMT - Coated Steel without Arm Pads	1
9620's - NLA	1064812-NLA	WARR RPLMT - Coated Steel with Arms	1

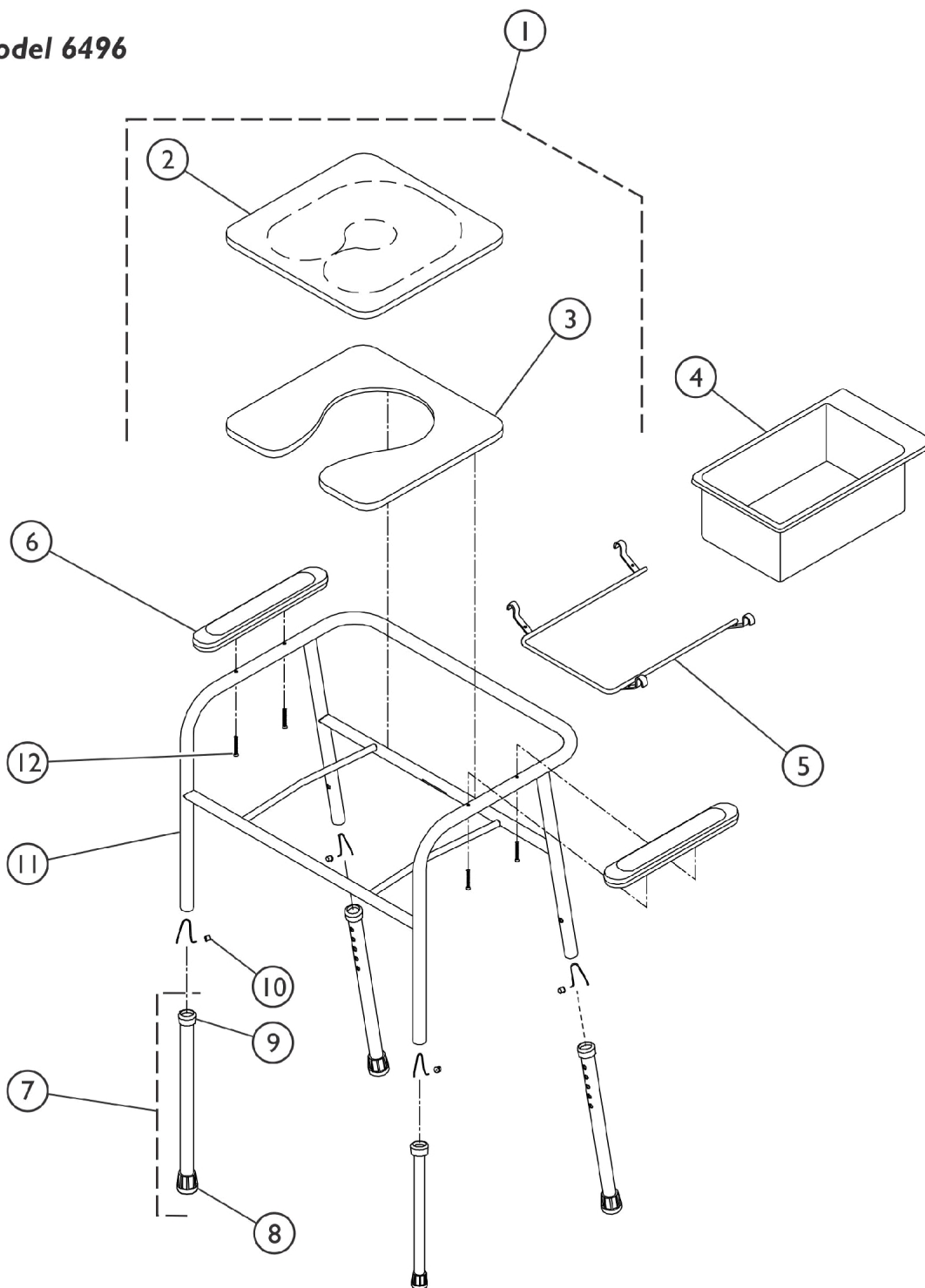
NOTE: These part numbers are to be used for warranty replacement purposes only.

## Commode Model Number Reference Chart

Model Before 9/9/96	Model After 9/8/96	Description
6458, 6478	9640-1	All In One Commode with Back Tube - Chrome <i>See Note(s) B</i>
6458, 6478	9640-4	All In One Commode with Back Tube - Chrome <i>See Note(s) C</i>
6496	6496	All In One Commode Extra Wide Commode
7424	9630-1	All In One Commode with Back Tube - Steel (Coated) <i>See Note(s) B</i>
7425, 7426, 7427	9630-4	All In One Commode with Back Tube - Steel (Coated) <i>See Note(s) C</i>
6471	9671	Drop Arm Commode Deluxe Stationary
6469	9669	Drop Arm Commode Stationary
6358	6358	Mobile Shower Chair
6690, 6692, 6495 6490, 6492, 6495	6690, 6692, 6695 6490, 6492, 6495	Rehab Shower Commode Chair
7476	9610-4	Safeguard without Back Tube - Steel (Coated) <i>See Note(s) C</i>
7456, 7457, 7455	9620-4	Stationary Commode with Back Tube - Steel (Coated) <i>See Note(s) C</i>
NOTE: B - 1 Pack. C - 4 Pack.		

# Extra Wide Commode - Model 6496

Model 6496



## Extra Wide Commode - Model 6496

Item Number	Note	Part Number	Description	Quantity Per	
				Package	Assembly
1	A	6313-NLA	NLA - Square Seat and Lid w/ Hardware, Grey	1	1
2		13221X000	Square Lid w/ Hardware	1	1
3		13211X000	Square Seat w/ Hardware	1	1
4		13245X000	Pail, Commode, White	1	1
5		13282X000-NLA	NLA - Holder, Pan	1	1
6	B	01000X001-NLA	NLA - Armrest, Full Length, Beige	1	2
6	C	1163889	Armrests (Pair)	2	1
7	D,E	13059X004-NLA	NLA - Leg Extension Assembly	1	4
7	D,F	1094277-NLA	NLA - Leg Extension Assembly	1	4
7	G	1105619-NLA	NLA - Leg Extension Assembly	1	4
8		1057797	Tip, Rubber, Light Grey (1-1/8")	1	4
9		1063124	Anti-Rattle, Grey (1-1/8")	1	4
10		1094945	Button, Snap	1	4
11		1019182-NLA	NLA - Frame, Commode, White	1	1
12		48127X001-NLA	NLA - Screw, Phillips Round Head (#10-32 x 1/2")	1	4

NOTE: A - Includes items 2 and 3. See category titled "Seat and Lid" for hardware information.  
 B - Before 10/93.  
 C - After 9/93.  
 D - Includes items 7 and 9.  
 E - Before 10/19/99.  
 F - To be used on models built 10/19/99 thru 1/14/04.  
 G - After 1/14/04.

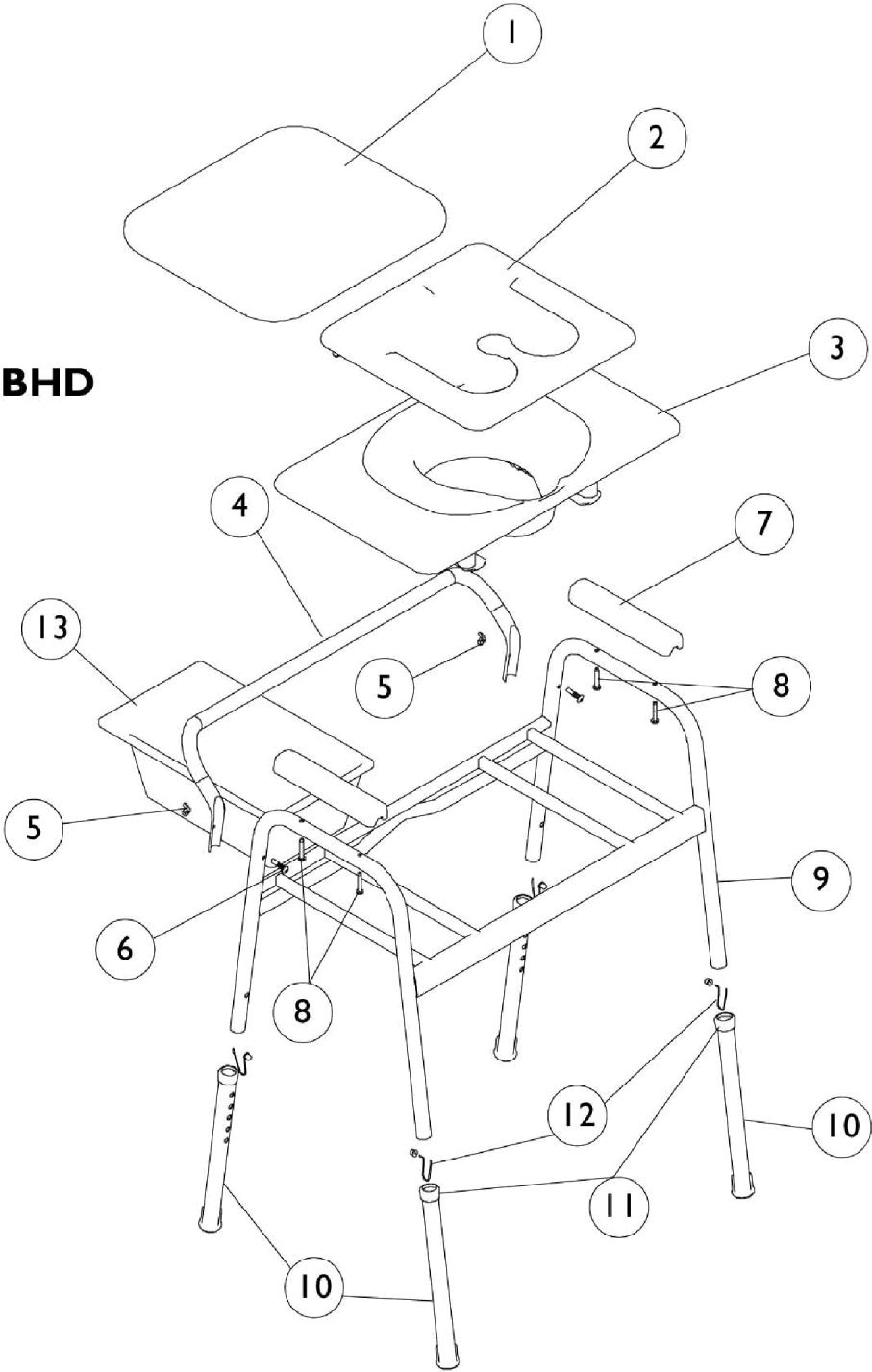
# Heavy Duty Commode - Model 6497



Item Number	Note	Part Number	Description	Quantity Per	
				Package	Assembly
1		1150794	Rail, Back with Snap Buttons	1	1
2		1150792-NLA	NLA - Kit, Arm Pad w/ Hardware	1	2
3		1150790-NLA	NLA - Seat, Square with Hardware	1	1
4		1150789	Square Lid Assembly	1	1
5		1150791-NLA	NLA - Pan	1	1
5		13245X000	Pail, Commode, White	1	1
6		1150793-NLA	NLA - Leg Extension Assembly	1	4

# Bariatric Commode - Model 6499-BHD

**Model 6499-BHD**

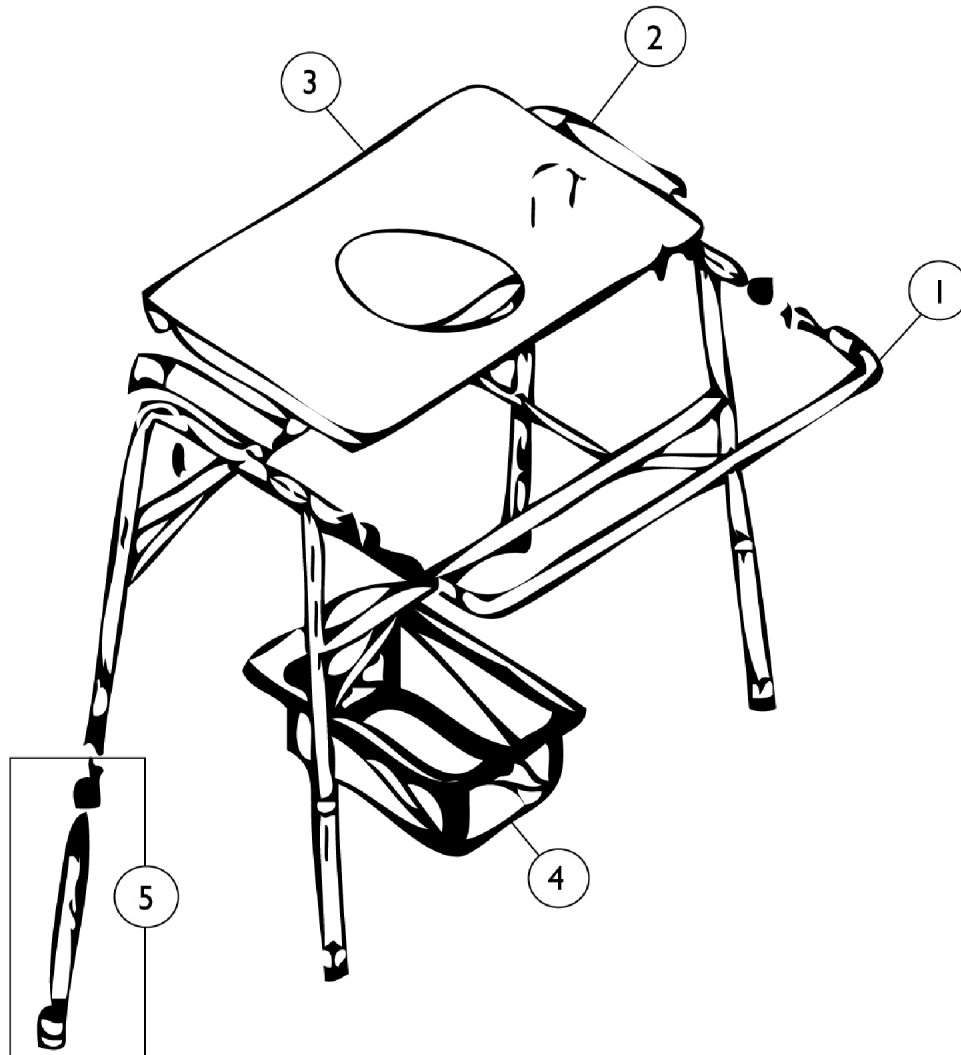


## Bariatric Commode - Model 6499-BHD

Item Number	Note	Part Number	Description	Quantity Per	
				Package	Assembly
1		1031402-NLA	NLA - Upholstery, Seat Cover, Grey	1	1
2		13221X000	Square Lid w/ Hardware	1	1
3		1105644-NLA	NLA - Seat, Commode with Hardware	1	1
4		1105622-NLA	NLA - Tube, Back Support, White	1	1
5		20148X002	Nut, Wing (1/4-20)	1	2
6		18858X000-NLA	NLA - Screw, Phillips Pan Head (1/4-20 x 1-1/2")	1	2
7	B	1059660-NLA	NLA - Armrest, Full Length, Grey	1	2
		1132261-NLA	NLA - Kit, Armrest with Hardware, Full Length - Grey	1	1
			NLA - Armrest, Full Length, Grey	1	2
			NLA - Screw, Phillips Pan Head (1/4 x 1-1/4")	1	4
8		1105642	Screw, Phillips Pan Head (1/4-14 x 1-1/2")	1	4
9		1105615-NLA	NLA - Frame, Commode, Barriatric, White	1	1
10		1105619-NLA	NLA - Leg Extension Assembly	1	4
11		40188X005-NLA	NLA - Spring, Torsion	1	4
12		48806X011-NLA	NLA - Button, Snap	1	4
13		13245X000	Pail, Commode, White	1	1
	A	1107320-NLA	NLA - Decal	1	1

NOTE: A - Not Shown.  
B - Item no longer available, refer to Kit Part #1132261.

# Bariatric Commode - Model 6500BHD

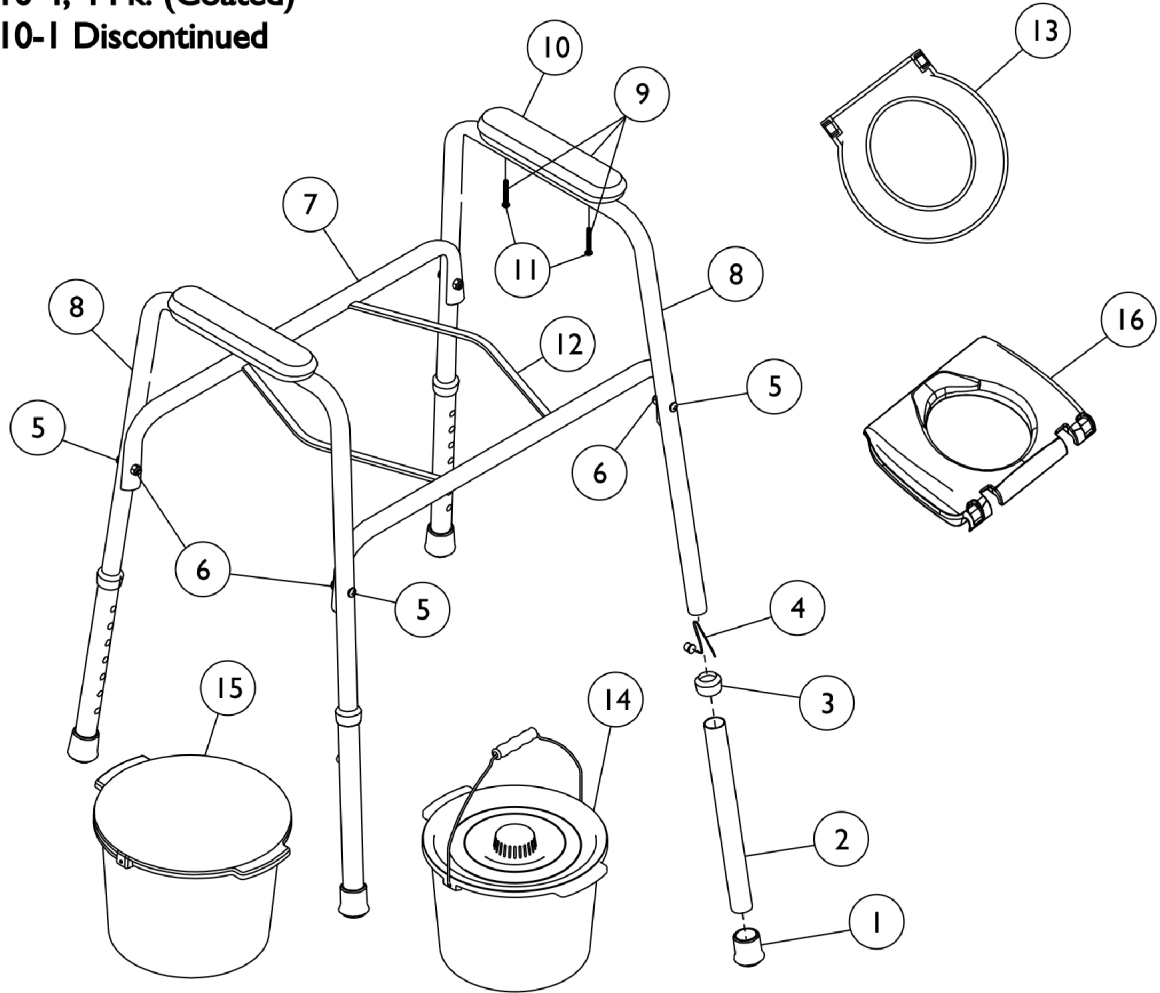


Item Number	Note	Part Number	Description	Quantity Per	
				Package	Assembly
1		1150799	Rail, Back with Snap Buttons	1	1
2		1150792-NLA	NLA - Kit, Arm Pad w/ Hardware	1	2
3		1150795-NLA	NLA - Seat, Rectangular	1	1
4		1160684-NLA	NLA - Pan, Model 6500BHD	1	1
5		1150798-NLA	NLA - Leg Extension Assembly	1	2



# Safeguard Commode w/o Back Tube - Model 9610-4 (Before 4/16/13)

Model 9610-4, 4 Pk. (Coated)  
Model 9610-1 Discontinued



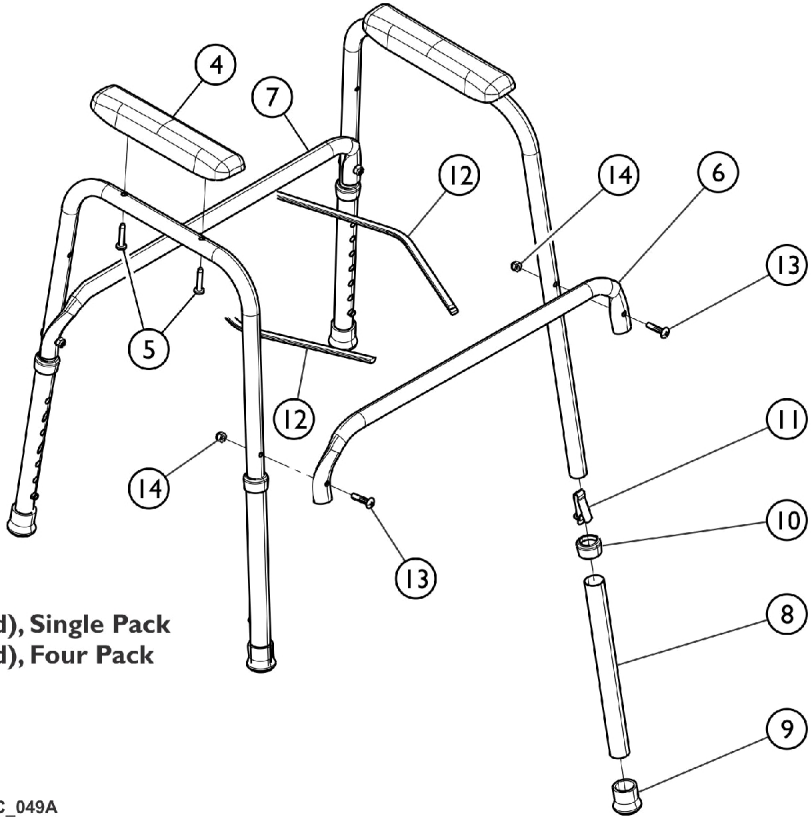
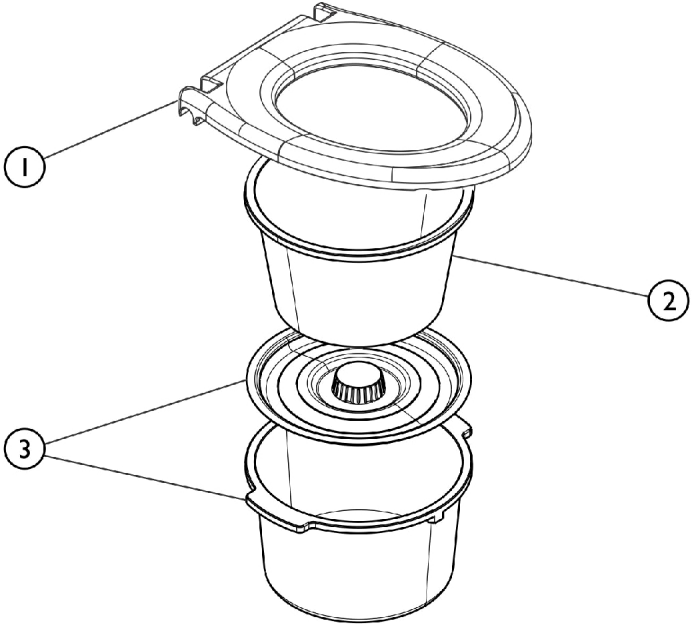
## Safeguard Commode w/o Back Tube - Model 9610-4 (Before 4/16/13)

Item Number	Note	Part Number	Description	Quantity Per	
				Package	Assembly
1		40186X030	Tip, Rubber, Grey (1")	1	4
2		1062005-NLA	NLA - Tube, Leg Extension, White	1	4
3		1062021-NLA	NLA - Anti-Rattle, Grey (1")	1	4
4		1094945	Button, Snap	1	4
5		1073248-NLA	NLA - Screw, Phillips Pan Head (1/4-20 x 1-1/4")	1	4
6		1008882	Locknut (1/4-20)	1	4
7		1062003-NLA	NLA - Rail, Seat, Coated	1	2
8		1062002-NLA	NLA - Tube, Arm with Holes, White	1	2
9	A	1066569-NLA	NLA - Kit, Arm Pad w/ Hardware (Pair)	2	1
10	A,G,K	1059660-NLA	NLA - Armrest, Full Length, Grey	1	2
	B,I	1132261-NLA	NLA - Kit, Armrest with Hardware, Full Length - Grey	1	1
10			NLA - Armrest, Full Length, Grey	1	2
11			NLA - Screw, Phillips Pan Head (1/4 x 1-1/4")	1	4
10	H	1119218-NLA	NLA - Armrest, Two-Piece Assembly, Grey	1	2
11		1061431-NLA	NLA - Screw, Phillips Pan Head (1/4 x 1-1/4")	1	4
12		1019161-NLA	NLA - Holder, Pan/Pail	1	1
	B,J,N	1132262-NLA	NLA - Kit, Seat Ring with Pail and Holder	1	1
12			NLA - Holder, Pan/Pail	1	2
13			NLA - Seat, Ring	1	1
14			NLA - Pail with Lid and Handle, Grey	1	1
	B,M,O	1152023-NLA	NLA - Kit, Seat Ring with Pail and Holder	1	1
13	C,F	1061998-NLA	NLA - Seat, Ring	1	1
14	L	1080083-NLA	NLA - Pail with Lid and Handle, Grey	1	1
14		1152022	Pail w/ Lid and Handle, Grey	1	1
14	N,P	1062023-NLA	NLA - Pail with Lid w/o Handle, Grey	1	1
14	O	1151955	Pail w/ Lid w/o Handle, Grey	1	1
14	D	6317	Package, Pail w/ Lid w/o Handle	12	1
15		1062022	Shield, Splash, Grey	1	1
15	D	6319	Shield, Splash	12	1
16	C,F	1112199-NLA	NLA - Seat, Commode	1	1
	B,E	1062844-NLA	NLA - Bail, Handle for Pail	1	1
	B	13211X000	Square Seat w/ Hardware	1	1
	B	13221X000	Square Lid w/ Hardware	1	1

# Safeguard Commode w/o Back Tube - Model 9610-4 (Before 4/16/13)

NOTE: A - Due to style change, it is recommended that you order arm pads in pairs (Item 10 #1059660) after 9/3/99.  
B - Not Shown.  
C - Snap On.  
D - Accessory 12 pack - Grey.  
E - Accessories.  
F - Due to style change, effective 11/5/02, commode seats new #1112199 and old #1061998 are interchangeable.  
G - After 12/14/04, refer to Part #1119218.  
H - Includes Upper and Lower Armrest.  
I - Kit includes (2) Armrests Part #1059660 and (4) Screws Part #1061431.  
J - Kit includes items 12-14.  
K - Item no longer available, refer to Kit Part #1132261.  
L - Item no longer available, refer to part #1152022 for replacement.  
M - Kit includes Pail, Seat Ring, and Holder.  
N - Before 8/16/07.  
O - After 8/15/07.  
P - No longer available, use 1151955 as replacement part.

# Model 9610-4 Safeguard Commode (After 4/15/13) Light Grey Frame



9610-1 (Coated), Single Pack  
9610-4 (Coated), Four Pack

SPC\_049A

## Model 9610-4 Safeguard Commode (After 4/15/13) Light Grey Frame

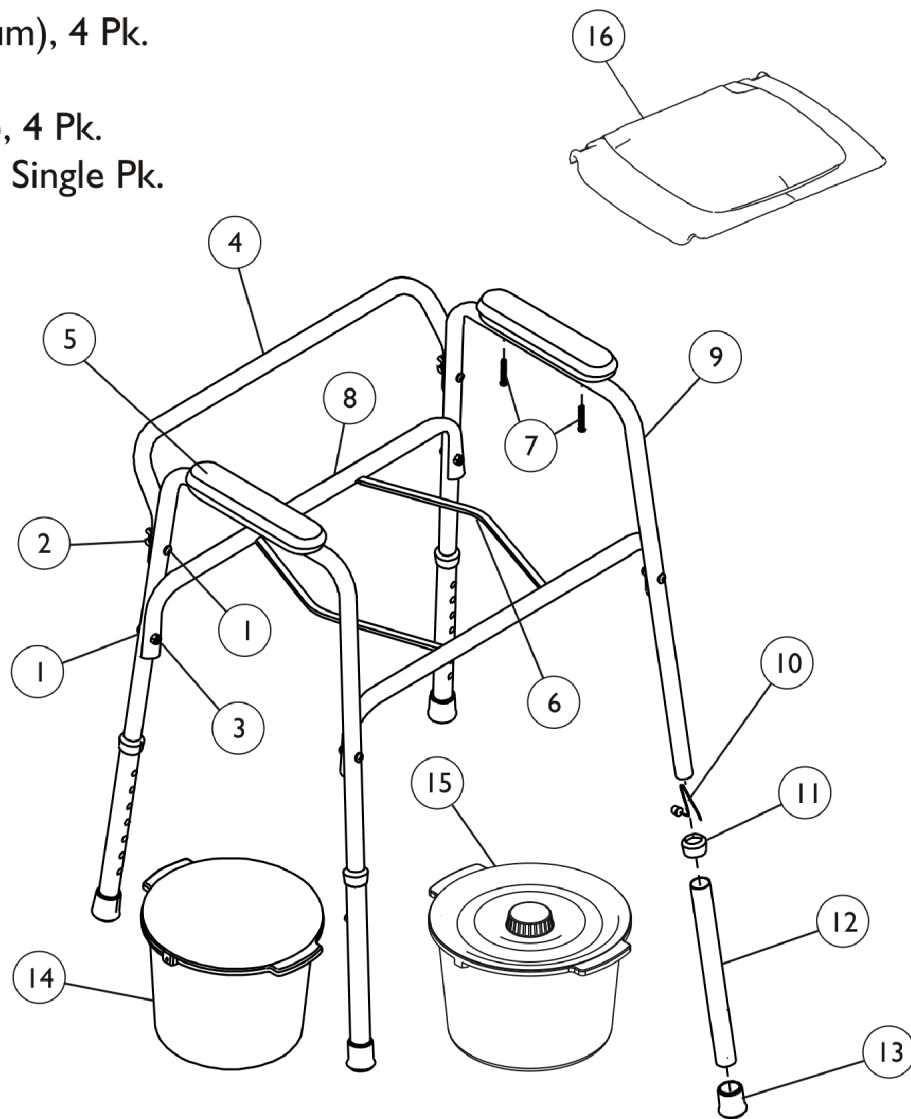
Item Number	Note	Part Number	Description	Quantity Per	
				Package	Assembly
1		1536272	Seat, Toilet, Grey	1	1
2		1182244	Shield, Splash, Grey	1	1
3		1182247	Pail, w/ Lid, Grey	1	1
4		1182241-NLA	NLA - Armrest, Full Length, Grey	1	2
5		1061431-NLA	NLA - Screw, Phillips Pan Head (1/4 x 1-1/4")	1	4
6		1537391-NLA	NLA - Rail, Seat, Front, Coated	1	1
7		1182251-NLA	NLA - Rail, Seat, Rear, Coated	1	1
8		1182254-NLA	NLA - Leg, Extension, Coated	1	4
9		40186X030	Tip, Rubber, Grey (1")	1	4
10		1062021-NLA	NLA - Anti-Rattle, Grey (1")	1	4
11		1094945	Button, Snap	1	4
12		1537392	Pail Holder, Aluminum	1	2
13		1073248-NLA	NLA - Screw, Phillips Pan Head (1/4-20 x 1-1/4")	1	2
14		1008882	Locknut (1/4-20)	1	4

# All In One Commode - Model 9630-4, 9630-1 (Before 4/15/13) Model 9650-4 (Before 4/15/13)

Model 9650-4 (Aluminum), 4 Pk.

Model 9630-4 (Coated), 4 Pk.

Model 9630-1 (Coated), Single Pk.



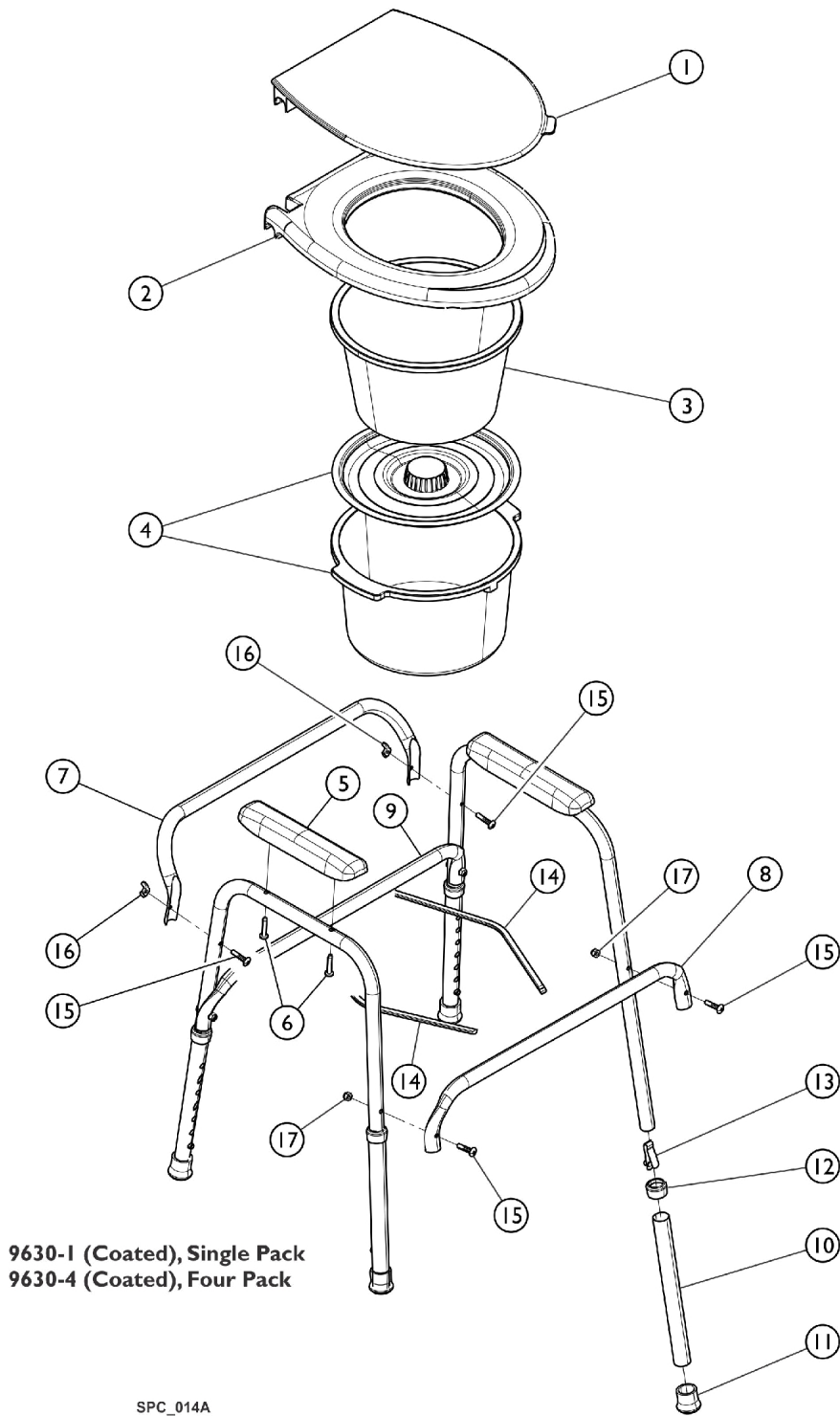
## All In One Commode - Model 9630-4, 9630-1 (Before 4/15/13) Model 9650-4 (Before 4/15/13)

Item Number	Note	Part Number	Description	Quantity Per	
				Package	Assembly
1		1073248-NLA	NLA - Screw, Phillips Pan Head (1/4-20 x 1-1/4")	1	6
2		20148X002	Nut, Wing (1/4-20)	1	2
3		1008882	Locknut (1/4-20)	1	4
4	B	1116451-NLA	NLA - Tube, Back Support, Silver	1	1
4	B	1062004-NLA	NLA - Tube, Back, Coated	1	1
5	D,H	1059660	NLA - Armrest, Full Length, Grey	1	2
	A,F	1132261-NLA	NLA - Kit, Armrest with Hardware, Full Length - Grey	1	1
5			NLA - Armrest, Full Length, Grey	1	2
7			NLA - Screw, Phillips Pan Head (1/4 x 1-1/4")	1	4
5	E	1119218-NLA	NLA - Armrest, Two-Piece Assembly, Grey	1	2
6		1019161-NLA	NLA - Holder, Pan/Pail	1	2
7		1061431-NLA	NLA - Screw, Phillips Pan Head (1/4 x 1-1/4")	1	4
8	B	1116450-NLA	NLA - Tube, Seat Rail, Silver Vein	1	2
8	C	1062003-NLA	NLA - Rail, Seat, Coated	1	2
9	B	1116449-NLA	NLA - Tube, Arm with Holes, Silver	1	2
9	C	1062002-NLA	NLA - Tube, Arm with Holes, White	1	2
10		1094945	Button, Snap	1	4
11		1062021-NLA	NLA - Anti-Rattle, Grey (1")	1	4
12	B	1116452-NLA	NLA - Tube, Extension Leg, Silver Vein	1	4
12	C	1062005-NLA	NLA - Tube, Leg Extension, White	1	4
13		40186X030	Tip, Rubber, Grey (1")	1	4
14		1062022	Shield, Splash, Grey	1	1
15	I,K	1062023	NLA - Pail with Lid w/o Handle, Grey	1	1
15	J	1151955	Pail w/ Lid w/o Handle, Grey	1	1
16	M	1112182	Seat, Commode with Lid	1	1
	A,G	1089637	NLA - Instruction Sheet	1	1
	A	1148075-NLA	NLA - Instruction Sheet	1	1

NOTE: A - Not Shown.  
 B - Used with Model 9650-4.  
 C - Used with Model 9630-4 and 9630-1.  
 D - After 12/14/2004, use Part Number 1119218.  
 E - Includes Upper and Lower Armrest.  
 F - Kit includes (2) Armrests (1059660) and (4) Screws (1061431).  
 G - No longer available, use Part Number 1148075 as its replacement.  
 H - No longer available, use Part Number 1132261 as its replacement.  
 I - Before 8/16/2007.  
 J - After 8/15/2007.  
 K - No longer available, use Part Number 1151955 as its replacement.  
 M - Used with 9630 before (4/15/13).

# All In One Commode - Model 9630-4, 9630-1 (After 4/14/13) Light Grey Frame

NOTE: Due to a design change, the Seat (1536272) and Lid (1536472) must be ordered as a set.





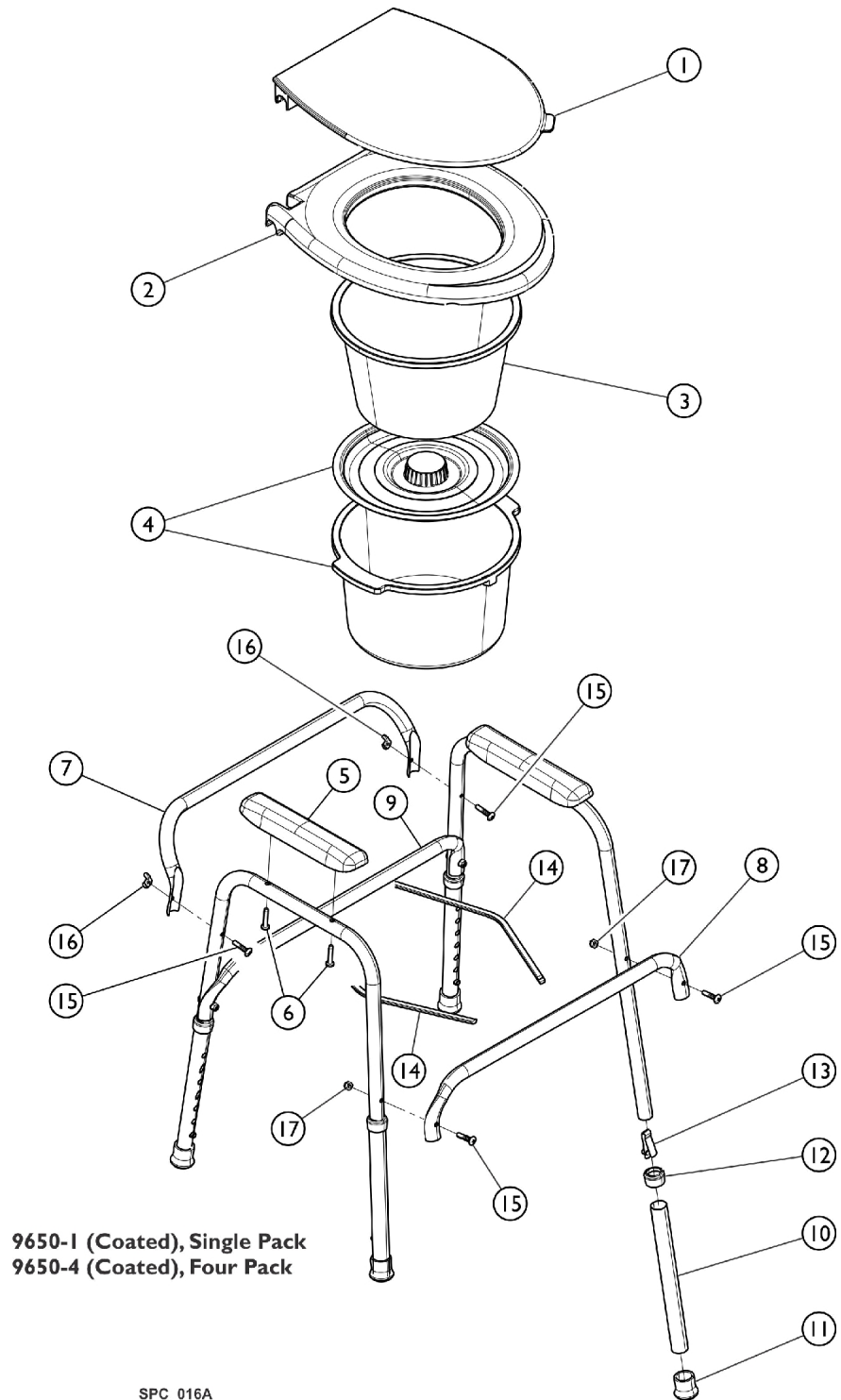
# All In One Commode - Model 9630-4, 9630-1 (After 4/14/13) Light Grey Frame

**NOTE: Due to a design change, the Seat (1536272) and Lid (1536472) must be ordered as a set.**

Item Number	Note	Part Number	Description	Quantity Per	
				Package	Assembly
1		1536472	Lid, Toilet, Grey	1	1
2		1536272	Seat, Toilet, Grey	1	1
3		1182244	Shield, Splash, Grey	1	1
4		1182247	Pail, w/ Lid, Grey	1	1
5		1182241-NLA	NLA - Armrest, Full Length, Grey	1	2
6		1061431-NLA	NLA - Screw, Phillips Pan Head (1/4 x 1-1/4")	1	4
7		1182253-NLA	NLA - Tube, Back, Coated	1	1
8		1537391-NLA	NLA - Rail, Seat, Front, Coated	1	1
9		1182251-NLA	NLA - Rail, Seat, Rear, Coated	1	1
10		1182254-NLA	NLA - Leg, Extension, Coated	1	4
11		40186X030	Tip, Rubber, Grey (1")	1	4
12		1062021-NLA	NLA - Anti-Rattle, Grey (1")	1	4
13		1094945	Button, Snap	1	4
14		1537392	Pail Holder, Aluminum	1	2
15		1073248-NLA	NLA - Screw, Phillips Pan Head (1/4-20 x 1-1/4")	1	4
16		20148X002	Nut, Wing (1/4-20)	1	2
17		1008882	Locknut (1/4-20)	1	4

NOTE: Due to a design change, the Seat (1536272) and Lid (1536472) must be ordered as a set.

# All In One Commode - Model 9650-1, 9650-4 (After 4/14/13)



## All In One Commode - Model 9650-1, 9650-4 (After 4/14/13)

Item Number	Note	Part Number	Description	Quantity Per	
				Package	Assembly
1	A	1536472	Lid, Toilet, Grey	1	1
2	A	1536272	Seat, Toilet, Grey	1	1
3		1182244	Shield, Splash, Grey	1	1
4		1182247	Pail, w/ Lid, Grey	1	1
5		1182241-NLA	NLA - Armrest, Full Length, Grey	1	2
6		1061431-NLA	NLA - Screw, Phillips Pan Head (1/4 x 1-1/4")	1	2
7		1182819-NLA	NLA - Tube, Back, Coated	1	1
8		1182816-NLA	NLA - Rail, Seat, Front, Coated	1	1
9		1182817-NLA	NLA - Rail, Seat, Rear, Coated	1	1
10		1182813-NLA	NLA - Tube, Leg Extension	1	2
11		40186X030	Tip, Rubber, Grey (1")	1	2
12		1062021-NLA	NLA - Anti-Rattle, Grey (1")	1	2
13		1094945	Button, Snap	1	2
14		1537392	Pail Holder, Aluminum	1	2
15		1073248-NLA	NLA - Screw, Phillips Pan Head (1/4-20 x 1-1/4")	1	2
16		20148X002	Nut, Wing (1/4-20)	1	2
17		1008882	Locknut (1/4-20)	1	4
		1148075-NLA	NLA - Instruction Sheet	1	1

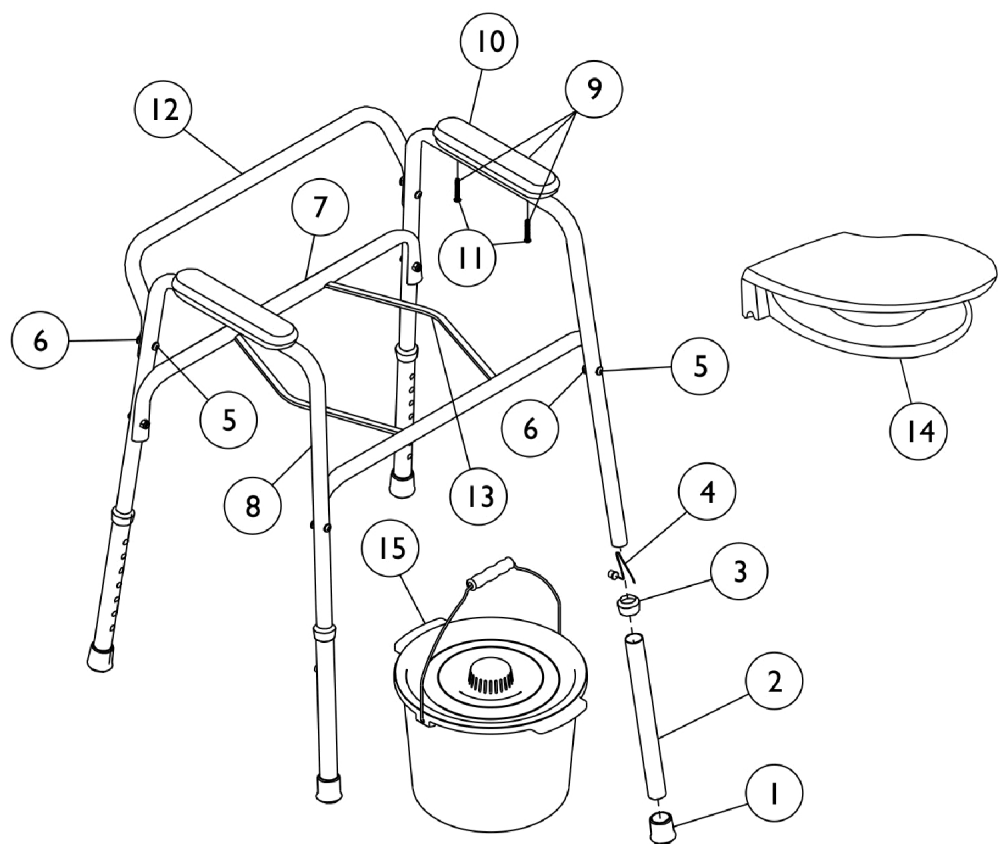
NOTE: A - Must be ordered together.

1536472 and 1536272 must be ordered together.

# Stationary Commode w/ Back Tube - Models 9620-4, 9620-1

Model 9620-4, 4 Pk. (Coated) Discontinued 11/01

Model 9620-1 Discontinued 12/97



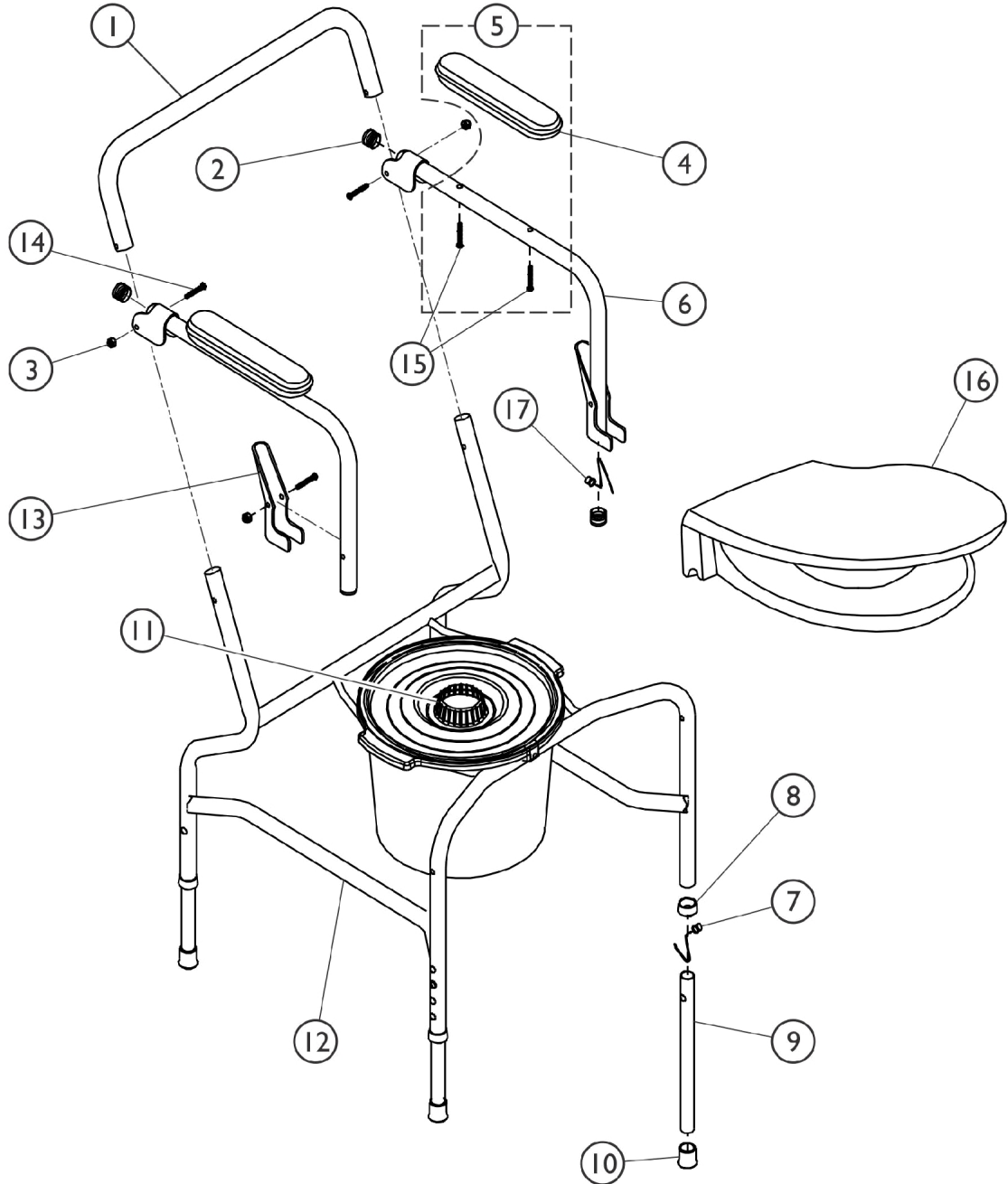
## Stationary Commode w/ Back Tube - Models 9620-4, 9620-1

Item Number	Note	Part Number	Description	Quantity Per	
				Package	Assembly
1		40186X030	Tip, Rubber, Grey (1")	1	4
2		1062005-NLA	NLA - Tube, Leg Extension, White	1	4
3		1062021-NLA	NLA - Anti-Rattle, Grey (1")	1	4
4		1094945	Button, Snap	1	4
5		18858X000-NLA	NLA - Screw, Phillips Pan Head (1/4-20 x 1-1/2")	1	6
6		1008882	Locknut (1/4-20)	1	6
7		1062003-NLA	NLA - Rail, Seat, Coated	1	2
8		1062002-NLA	NLA - Tube, Arm with Holes, White	1	2
9	A	1066569-NLA	NLA - Kit, Arm Pad w/ Hardware (Pair)	1	2
10	A,E	1059660-NLA	NLA - Armrest, Full Length, Grey	2	1
	B,C	1132261-NLA	NLA - Kit, Armrest with Hardware, Full Length - Grey	1	1
10			NLA - Armrest, Full Length, Grey	1	2
11			NLA - Screw, Phillips Pan Head (1/4 x 1-1/4")	1	4
11		1061431-NLA	NLA - Screw, Phillips Pan Head (1/4 x 1-1/4")	1	4
12		1062004-NLA	NLA - Tube, Back, Coated	1	1
13		1019161-NLA	NLA - Holder, Pan/Pail	1	1
	B,D,G	1132262-NLA	NLA - Kit, Seat Ring with Pail and Holder	1	1
13			NLA - Holder, Pan/Pail	1	2
15			NLA - Pail with Lid and Handle, Grey	1	1
14			NLA - Seat, Ring	1	1
	B,H	1152023-NLA	NLA - Kit, Seat Ring with Pail and Holder	1	1
14		1062028-NLA	NLA - Seat w/ Lid, Snap On	1	1
14		1061998-NLA	NLA - Seat, Ring	1	1
15	F	1080083-NLA	NLA - Pail with Lid and Handle, Grey	1	1
15		1152022	Pail w/ Lid and Handle, Grey	1	1
15	B,G,J	1062023-NLA	NLA - Pail with Lid w/o Handle, Grey	1	1
15	I	1151955	Pail w/ Lid w/o Handle, Grey	1	1
15	B	6317	Package, Pail w/ Lid w/o Handle	12	1
	B	1062844-NLA	NLA - Bail, Handle for Pail	1	1
	B	13221X000	Square Lid w/ Hardware	1	1
	B	13211X000	Square Seat w/ Hardware	1	1

NOTE: A - Due to style change, it is Recommended that you order arm pads in pairs (1059660 item #10) after 9/3/99.  
 B - Not Shown.  
 C - Kit includes (2) Armrests Part #1059660 and (4) Screws Part #1061431.  
 D - Kit includes items 13-15.  
 E - Item no longer available, refer to Kit Part #1132261.  
 F - Item no longer available, refer to part #1152022 for replacement.  
 G - Before 8/16/07.  
 H - Includes Pail, Seat Ring, and Holder.  
 I - After 8/15/07.  
 J - No longer available. Use 1151955 as the replacement part.

# Drop Arm Stationary Commode - Model 9669

Model 9669



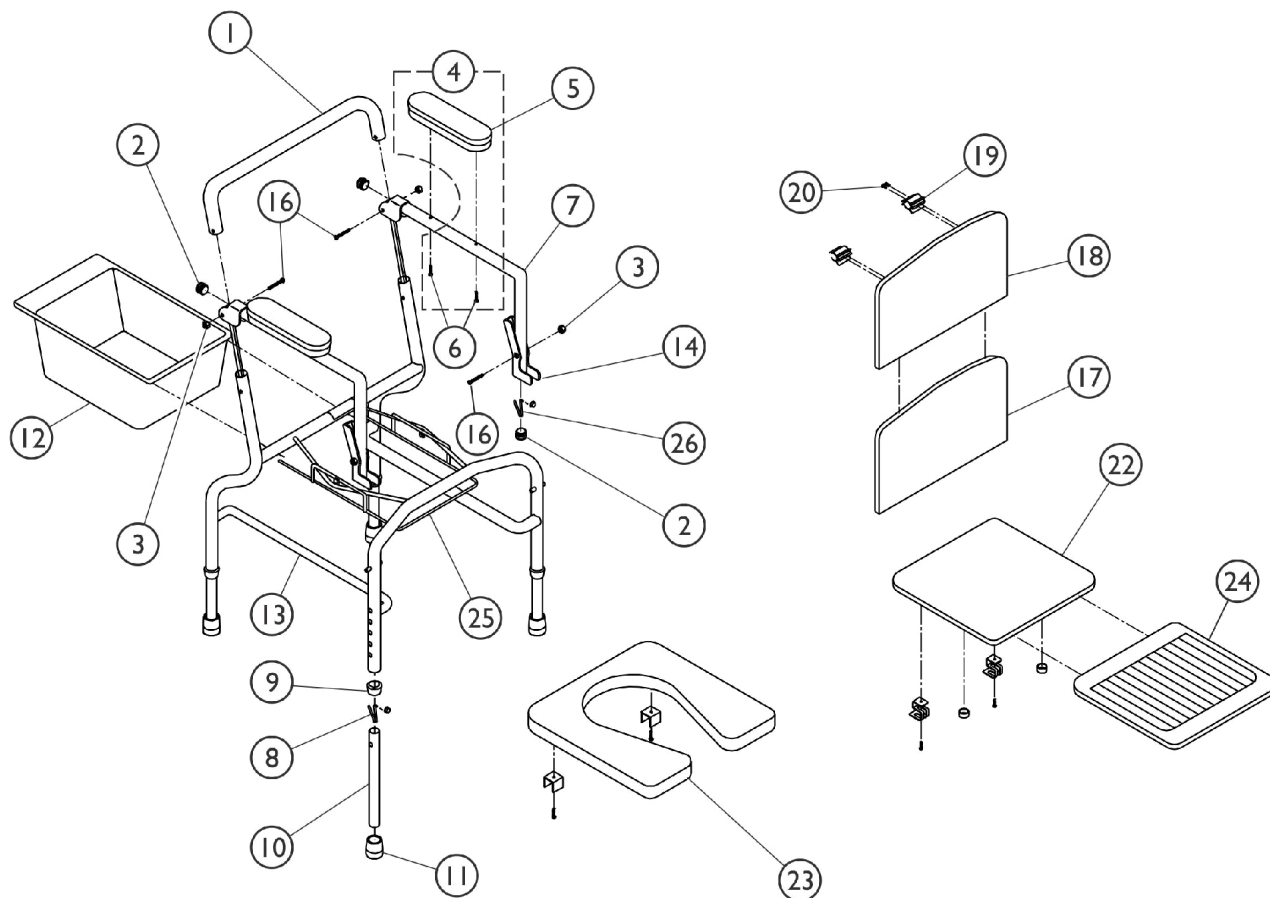
## Drop Arm Stationary Commode - Model 9669

Item Number	Note	Part Number	Description	Quantity Per	
				Package	Assembly
1		1020575-NLA	NLA - Tube, Back, Chrome	1	1
1		1119481-NLA	NLA - Tube, Back, White	1	1
2		1027096	Plug Button, Grey (7/8")	1	4
3		1008882	Locknut (1/4-20)	1	4
4	A,E,H	1059660-NLA	NLA - Armrest, Full Length, Grey	1	2
	B,G	1132261-NLA	NLA - Kit, Armrest with Hardware, Full Length - Grey	1	1
4			NLA - Armrest, Full Length, Grey	1	2
15			NLA - Screw, Phillips Pan Head (1/4 x 1-1/4")	1	4
4	F	1119218-NLA	NLA - Armrest, Two-Piece Assembly, Grey	1	2
5	A	1066569-NLA	NLA - Kit, Arm Pad w/ Hardware (Pair)	2	1
6		1062018-NLA	NLA - Tube, Arm, Chrome	1	2
6		1119485-NLA	NLA - Tube, Arm, White	1	2
7		1094945	Button, Snap	1	6
8		16803X001-NLA	NLA - Anti-Rattle, Grey (7/8")	1	4
9		1020580-NLA	NLA - Tube, Leg Extension	1	4
9		1119483-NLA	NLA - Tube, Leg Extension	1	4
10		1008666-NLA	NLA - Tip, Rubber, Grey (3/4")	1	4
11	I	1080083-NLA	NLA - Pail with Lid and Handle, Grey	1	1
11		1152022	Pail w/ Lid and Handle, Grey	1	1
11	J	1062023-NLA	NLA - Pail with Lid w/o Handle, Grey	1	1
11	K	1151955	Pail w/ Lid w/o Handle, Grey	1	1
11		6317	Package, Pail w/ Lid w/o Handle	12	1
12		1020581-NLA	NLA - Frame, Drop Arm, Chrome	1	1
12		1119484-NLA	NLA - Frame, Drop Arm, White	1	1
13		1020576-NLA	NLA - Latch, Arm	1	2
13		1123997-NLA	NLA - Latch, Arm, White	1	2
14		18858X000-NLA	NLA - Screw, Phillips Pan Head (1/4-20 x 1-1/2")	1	2
15		1061431-NLA	NLA - Screw, Phillips Pan Head (1/4 x 1-1/4")	1	4
16	C	1062028-NLA	NLA - Seat w/ Lid, Snap On	1	1
16		1061998-NLA	NLA - Seat, Ring	1	1
17		1040837-NLA	NLA - Button, Snap	1	2
17		1094945	Button, Snap	1	2
	B	6313-NLA	NLA - Square Seat and Lid w/ Hardware, Grey	1	1
	B	13211X000	Square Seat w/ Hardware	1	1
	B	13221X000	Square Lid w/ Hardware	1	1
	B,C	1062844-NLA	NLA - Bail, Handle for Pail	1	1

NOTE: A - Due to style change, it is recommended that you order arm pads in pairs (item #4 - 1059660) after 9/3/99.  
 B - Not Shown.  
 C - Accessory.  
 E - After 12/14/04, refer to Part #1119218.  
 F - Includes Upper and Lower Armrest.  
 G - Kit includes (2) Armrests Part #1059660 and (4) Screws Part #1061431.  
 H - Item no longer available, refer to Kit Part #1132261.  
 I - Item no longer available, refer to part #1152022 for replacement.  
 J - Before 8/16/07.  
 K - After 8/15/07.

# Drop Arm Deluxe Stationary Commode - Model 9671 (Discontinued)

**Model 9671  
(Deluxe, Grey)**





## Drop Arm Deluxe Stationary Commode - Model 9671 (Discontinued)

Item Number	Note	Part Number	Description	Quantity Per	
				Package	Assembly
1		1020575-NLA	NLA - Tube, Back, Chrome	1	1
2		1027096	Plug Button, Grey (7/8")	1	4
3		1008882	Locknut (1/4-20)	1	4
4	A	1066569-NLA	NLA - Kit, Arm Pad w/ Hardware (Pair)	2	1
5	A	1059660-NLA	NLA - Armrest, Full Length, Grey	1	2
	F,G	1132261-NLA	NLA - Kit, Armrest with Hardware, Full Length - Grey	1	1
5			NLA - Armrest, Full Length, Grey	1	2
6			NLA - Screw, Phillips Pan Head (1/4 x 1-1/4")	1	4
6		1061431-NLA	NLA - Screw, Phillips Pan Head (1/4 x 1-1/4")	1	4
7		1062018-NLA	NLA - Tube, Arm, Chrome	1	2
8		1094945	Button, Snap	1	6
9		16803X001-NLA	NLA - Anti-Rattle, Grey (7/8")	1	4
10		1020580-NLA	NLA - Tube, Leg Extension	1	4
11		1008666-NLA	NLA - Tip, Rubber, Grey (3/4")	1	4
12		13245X000	Pail, Commode, White	1	1
13		1020581-NLA	NLA - Frame, Drop Arm, Chrome	1	1
14		1020576-NLA	NLA - Latch, Arm	1	2
16		18858X000-NLA	NLA - Screw, Phillips Pan Head (1/4-20 x 1-1/2")	1	2
17		13234X000-NLA	NLA - Back, Plastic	1	1
18		1031394-NLA	NLA - Cover, Back, Grey	1	1
19		1022742-NLA	NLA - Clip	1	2
20		1023281-NLA	NLA - Screw, Phillips Pan Head Tap (#8-18 x 1/2")	1	4
22	B	13221X000	Square Lid w/ Hardware	1	1
23	B	13211X000	Square Seat w/ Hardware	1	1
24		1031402-NLA	NLA - Upholstery, Seat Cover, Grey	1	1
25		1027004-NLA	NLA - Pan Holder, Coated	1	1
26		1040837-NLA	NLA - Button, Snap	1	2
26		1094945	Button, Snap	1	2
	F,H	1062011-NLA	Instruction Sheet, Drop Arm Commode	1	1
	F	1148075-NLA	NLA - Instruction Sheet	--	--

NOTE: A - Due to style changes, it is recommended to order armpads in pairs (After 9-3-99).  
 B - See category titled, "Seat & Lid" for additional hardware information.  
 F - Kit includes (2) Armrests Part #1059660 and (4) Screws Part #1061431.  
 G - Item no longer available, refer to Part #1148075 for replacement.  
 H - Item no longer available, refer to Kit Part #1132261.

# Commode Drop Arm - Bariatric Model 6599



## Commode Drop Arm - Bariatric Model 6599

Item Number	Note	Part Number	Description	Quantity Per	
				Package	Assembly
1		1141744-NLA	NLA - Back Rest Assembly	1	1
2		1141743-NLA	NLA - Arm Pad Assembly	1	2
3		1141742-NLA	NLA - Arm Rest Assembly	1	2
4	B	1141738-NLA	NLA - Kit, Seat w/ Hardware	1	1
4	C	1179640-NLA	NLA - Kit, Seat w/ Pail Attaching Hardware	1	1
5	B	1141739-NLA	NLA - Pail w/ Sleeve and Lid	1	1
5	C,D	1179639-NLA	NLA - Pail w/ Sleeve and Lid	1	1
6		1141741-NLA	NLA - Leg Extension Assembly	1	4
	A,B	1141740-NLA	NLA - Slider, Pail Support Brackets w/ Hardware	1	1

NOTE: A - Not Shown.  
 B - For models purchased before 5/24/11.  
 C - For Models purchased after 5/23/11.  
 D - When ordering number as a replacement part, you must order item 4 (1179640) along with it.

# Folding Commode - Model 9830-4



## Folding Commode - Model 9830-4

Item Number	Note	Part Number	Description	Quantity Per	
				Package	Assembly
1	A	1151622	Kit, Seat and Lid	1	1
2	B	1151623	Kit, Bucket with Guard and Lid	1	1
3	C	1151624-NLA	NLA - Kit, Armrest with Hardware	1	1
	D,E	1151625-NLA	Kit, Frame Hardware	1	1
4		1151626	Package, Tip	4	1
NOTE: A - Kit includes Round Seat and Round Lid. B - Kit includes Bucket, Lid, and Splash Guard. C - Kit includes (1) Armrest and (2) Screws. D - Kit includes (2) Screws, (2) Screw Covers, and (2) Locknuts. E - Not Shown.					

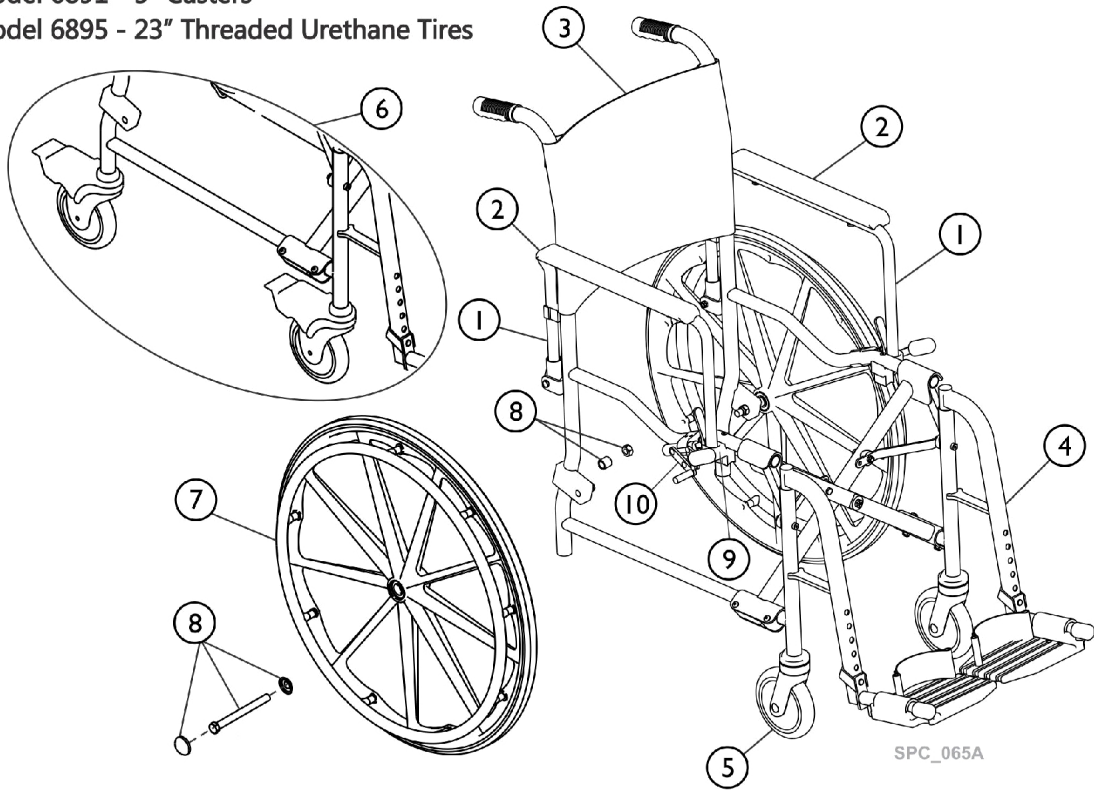
# Folding Commode - Model 9830-4 (Warranty Replacement)

## Folding Commode

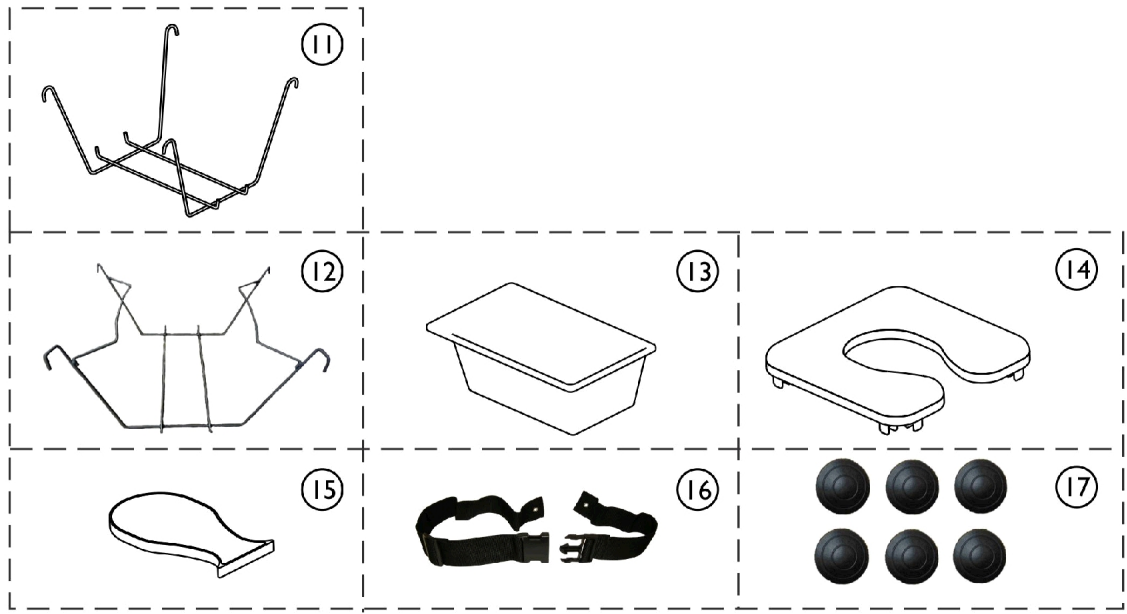
Reference Model Number	Warranty Number	Description	Warranty Package
9830-4/9830-1	1168467-NLA	Commode, Folding	1

# Rehab Shower/Commode (Mariner) Model 6795, 6891 and 6895

Model 6795 - 23" Threaded Urethane Tires  
 Model 6891 - 5" Casters  
 Model 6895 - 23" Threaded Urethane Tires



SPC\_065A



## Rehab Shower/Commode (Mariner) Model 6795, 6891 and 6895

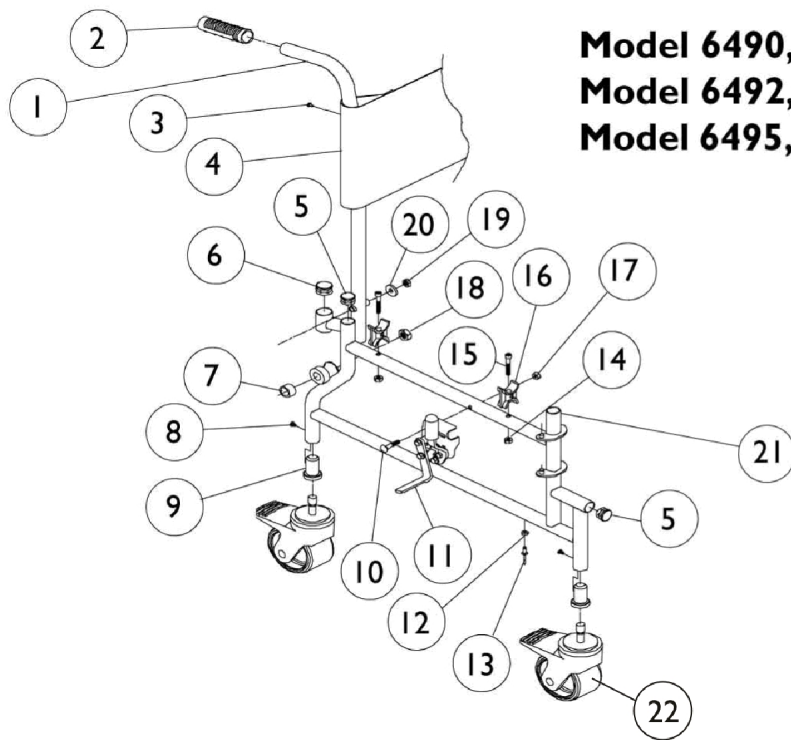
Item Number	Note	Part Number	Description	Quantity Per	
				Package	Assembly
1	A	1123712	Armrest Assembly, Padded - Right	1	1
1	A	1123713	Armrest Assembly, Padded - Left	1	1
2		1123709	Pad, Arm with Hardware	1	2
3		1123722	Upholstery, Back, Nylon w/ Attaching Hardware, 6795 (16")	1	1
3		1123723	Upholstery, Back, Nylon w/ Attaching Hardware, 6891 and 6895 (18")	1	1
4	C1,C2	1123716	Footrest Assembly, White - Right	1	1
4	C1,C2	1123717	Footrest Assembly, White - Left	1	1
5	G	1123705	Casters (5")	2	1
6	G	1123706	Casters with Brake (5")	2	1
7		1123707	Kit, Wheel w/ Handrim and Hardware (23")	1	2
8		1123708	Kit, Wheel Hardware (23")	1	2
9	F	1123710	Socket, Arm Holder and Hardware - Right	1	1
9	F	1123711	Socket, Arm Holder and Hardware - Left	1	1
10		1123714	Wheel Lock Assembly - Right	1	1
10		1123715	Wheel Lock Assembly - Left	1	1
11	D	1123703	Basket, Pail Holder	1	1
12	E	1541348	Basket, Pail Holder	1	1
13		13245X000	Pail, Commode, White	1	1
14		1123718	Padded Seat Assembly, Commode (16")	1	1
14		1123719	Padded Seat Assembly, Commode (18")	1	1
15		1123720	Plug, Seat, Commode, 6795 (16")	1	1
15		1123721	Plug, Seat, Commode, 6891 and 6895 (18")	1	1
16	B	1146548	Safety Position Seat Strap w/ Mounting Hardware	1	1
17		1119283-NLA	NLA - Package, Plastic Cap, Black	6	1

NOTE: A - Assembly complete with armpad, tube and attaching hardware.  
 B - Sold complete. Mounting Hardware not shown.  
 C1 - It is recommended to order in pairs for the following models with serial numbers before 13AYY000001 for 6891, 6895, 6795 or serial numbers without "YY" in the serial number.  
 C2 - Extension Range changed from 13"-18" to 12-1/4" - 17". Pivot Point was raised to prevent caster interference.  
 D - Use part number 1123703 for model 6795.  
 E - Use part number 1541348 for models 6891 and 6895.  
 F - Latch is no longer included with item #9. Order item #1 Arm Assembly that includes the Latch also.  
 G - Starting 2013 Caster Assembly changed from Black to Tan. For models manufactured before 2013 order 4 casters to match.



# Rehab Shower/Commode Chair

## Back Upholstery, Frames and Wheel Locks



**Model 6490, 6690 With Casters**  
**Model 6492, 6692 With 24" Pneumatic**  
**Model 6495, 6695 With 24" Urethane**

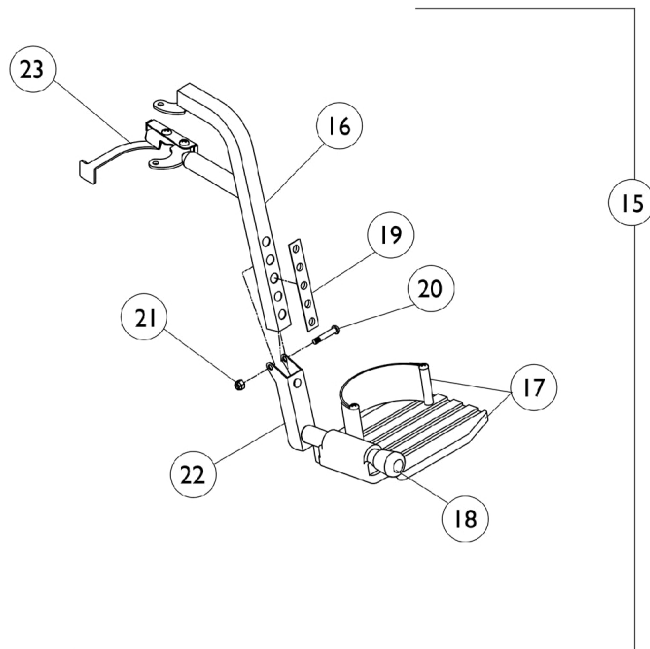
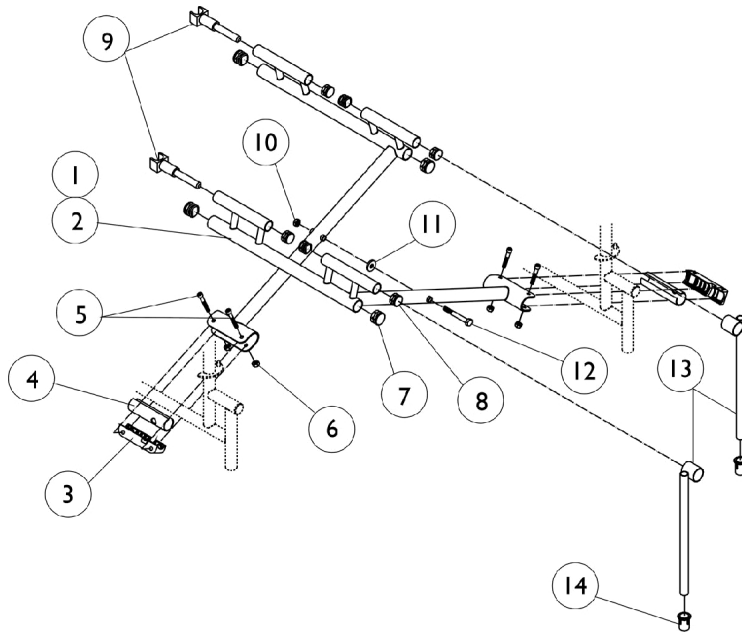
## Rehab Shower/Commode Chair Back Upholstery, Frames and Wheel Locks

Item Number	Note	Part Number	Description	Quantity Per	
				Package	Assembly
1	A,B	1079121-NLA	NLA - Frame with Hardware, Navy Blue - Right	1	1
1	A,B	1079122-NLA	NLA - Frame with Hardware, Navy Blue - Left	1	1
1	A,C	1023623-NLA	NLA - Frame with Hardware, Navy Blue - Right	1	1
1	A,C	1023624-NLA	NLA - Frame with Hardware, Navy Blue - Left	1	1
2		40299X009-NLA	NLA - Grip, Hand, Grey	1	2
3		1017678-NLA	NLA - Fastener, Clip	1	2
3		1023632	Clip, Shroud	1	2
4		1017104	Upholstery, Back (6490 Series)	1	1
4		1028043-NLA	NLA - Upholstery, Back (6690 Series)	1	1
5		1040840-NLA	NLA - Plug Button, Grey (7/8")	1	2
6		1057287	Plug Button, Grey (1")	1	2
7	D	1028832	Spacer (5/8 x 7/8 x 1/2")	1	2
8		1021384-NLA	NLA - Screw, Phillips Pan Head (#8-32 x 1/4")	1	4
9		1016682	Bearing, Sleeve Caster	1	2
10		1021402	Bolt, Carriage (1/4-20 x 1-1/4")	1	1
11		1026243-NLA	NLA - Wheel Lock - Right	1	1
11		1026244-NLA	NLA - Wheel Lock - Left	1	1
12		16347X000-NLA	NLA - Washer, Nylon (3/16 x 7/16 x 1/8")	1	4
13		16348X000-NLA	NLA - Rivet (3/16 x 7/16")	1	4
14		1023521-NLA	NLA - Locknut, Hex (1/4-20)	1	4
15		1004170	Screw, Socket Head (1/4-20 x 1-1/2")	1	4
16		1015390	Guide, Seat	1	2
17		1021403	Nut, Hex Flang (1/4-20)	1	1
18	D	1023523-NLA	NLA - Locknut (5/8-18)	1	2
19		1021383-NLA	NLA - Locknut, Hex (5/16-18)	1	4
20		1016301	Washer, Nylon (5/16 x 7/8 x 1/8")	1	4
21		40186X017-NLA	NLA - Tube, Insert	1	1
22		1040673-NLA	NLA - Kit, Caster Assembly w/ Bearing Sleeve, Swivel w/o Lock (5")	1	2
22		1058160-NLA	NLA - Kit, Caster Assembly w/ Bearing Sleeve, Swivel w/o Lock (5") (Pair)	2	1
22		1040674-NLA	NLA - Caster Assembly with Lock	1	2
22		1058161-NLA	NLA - Package, Caster Assembly with Lock	4	2

NOTE: A - Includes items 2, 5, 6, 8, 9, 11, 13-16 and 21.  
B - Before 7/17/96.  
C - After 7/16/96.  
D - Wheel Hardware.

# Rehab Shower/Commode Chair

## Crossbraces, Footrest



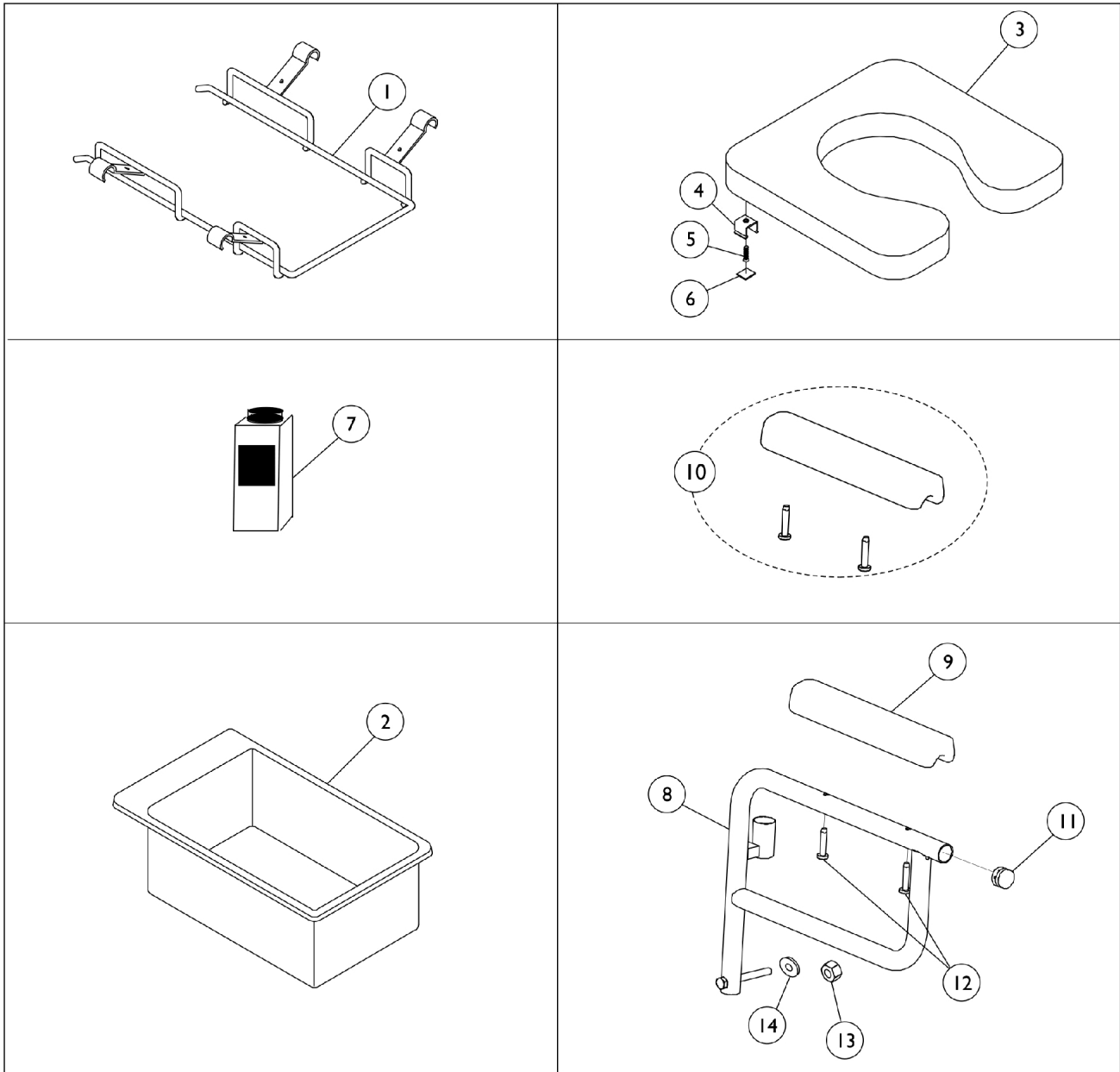
## Rehab Shower/Commode Chair Crossbraces, Footrest

Item Number	Note	Part Number	Description	Quantity Per	
				Package	Assembly
1	A,B	1025196-NLA	NLA - Crossbrace Assembly	1	1
1	A,C	1028041-NLA	NLA - Crossbrace Assembly	1	1
2	B	1023558-NLA	NLA - Crossbrace Assembly - Right	1	1
2	B	1023559-NLA	NLA - Crossbrace Assembly - Left	1	1
2	C	1028038-NLA	NLA - Crossbrace Assembly - Right	1	1
2	C	1028039-NLA	NLA - Crossbrace Assembly - Left	1	1
3		1012172-NLA	NLA - Clamp, Saddle	1	2
4		1023560	Insert, Guide Tube, Black (3-3/4" Long)	1	2
5		1008495	Screw, Socket Button Head (1/4-20 x 1-1/2")	1	4
6		1023521-NLA	NLA - Locknut, Hex (1/4-20)	1	4
7		1057287	Plug Button, Grey (1")	1	4
8		1040840-NLA	NLA - Plug Button, Grey (7/8")	1	6
9		1025197-NLA	NLA - Guide, Rear Seat	1	2
10		1021383-NLA	NLA - Locknut, Hex (5/16-18)	1	1
11		1008882	Locknut (1/4-20)	1	1
12		90162X000-NLA	NLA - Screw, Hex Head (5/16-18 x 2-1/2")	1	1
13		1017064-NLA	NLA - Guide, Front Seat	1	2
14		40186X017-NLA	NLA - Tube, Insert	1	2
15		1026250-NLA	NLA - Footrest Assembly - Right	1	1
15		1026249-NLA	NLA - Footrest Assembly - Left	1	1
16	D	1017071	Tube, Footrest Support, Navy Blue - Right	1	1
16	D	1017072	Tube, Footrest Support, Navy Blue - Left	1	1
17	E	1021426-NLA	NLA - Footplate with Heel Loop Assembly - Right	1	1
17	E	1021427-NLA	NLA - Footplate with Heel Loop Assembly - Left	1	1
18		40186X019-NLA	NLA - Tube, End Cap	1	1
19	E	1017091-NLA	NLA - Bushing, Strip	1	1
20		1023968-NLA	NLA - Screw, Socket Button Head (1/4-20 x 1-7/16")	1	2
21		1025736	Locknut (1/4-20)	1	1
22		1017075-NLA	NLA - Tube, Pivot	1	2
23	E	1101096-NLA	NLA - Release Handle - Right	1	1
23	E	1101097-NLA	NLA - Release Handle - Left	1	1

NOTE: A - Includes Crossbraces and items 7, 8 and 10-12.  
B - For models 6490, 6492 and 6495.  
C - For models 6690, 6692 and 6695.  
D - After 2/20/95.  
E - Individual items no longer available, the entire assembly must be ordered item #15.

# Rehab Shower/Commode Chair

## Arms, Commode Seat, Safety Belt, Pan/Pan Holder and Touch-Up Paint



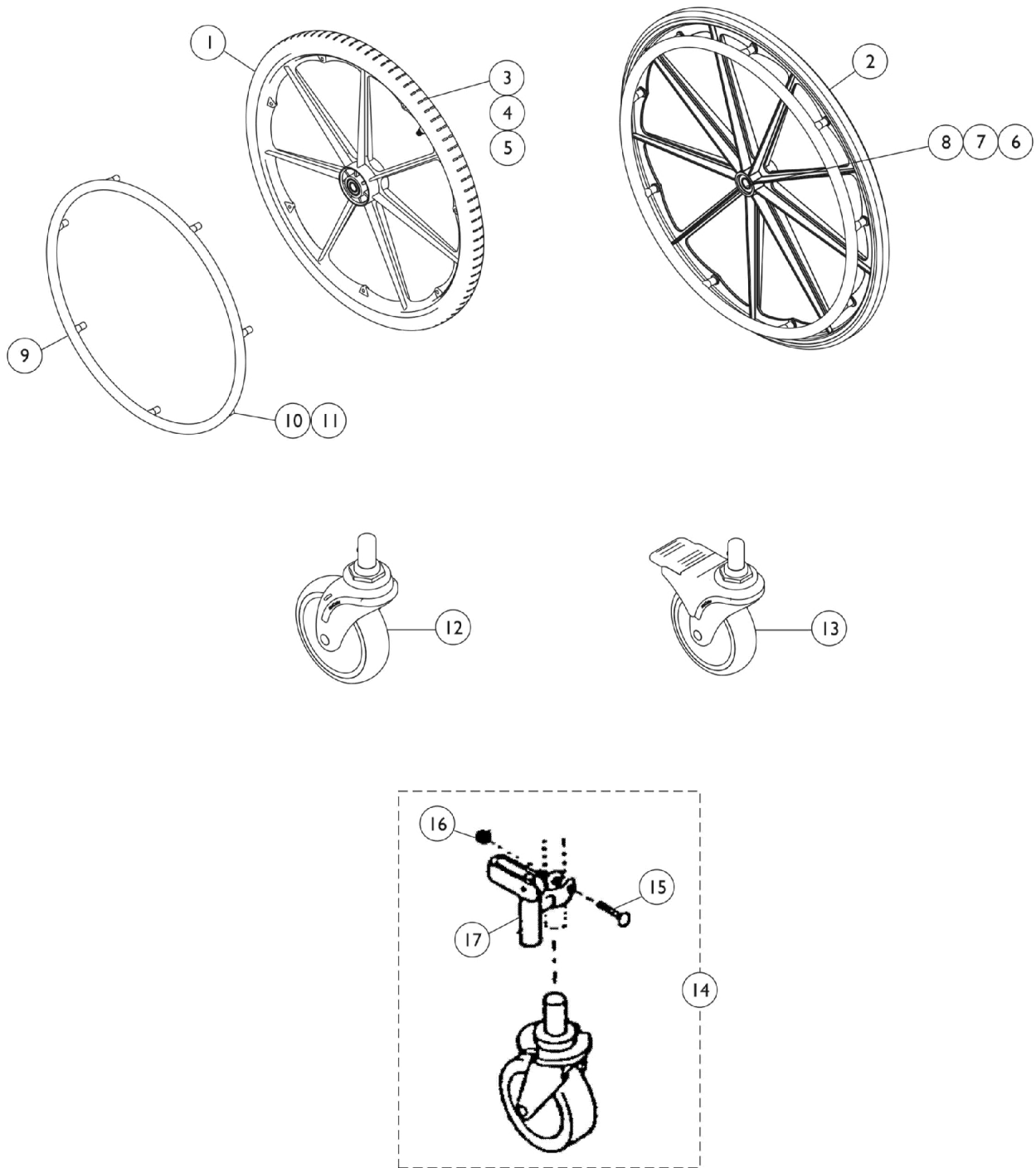
## Rehab Shower/Commode Chair

### Arms, Commode Seat, Safety Belt, Pan/Pan Holder and Touch-Up Paint

Item Number	Note	Part Number	Description	Quantity Per	
				Package	Assembly
1	C	1018710-NLA	NLA - Holder, Pan/Pail	1	1
1	D	1027841-NLA	NLA - Holder, Pan/Pail	1	1
2		13245X000	Pail, Commode, White	1	1
3	C,H	1017773-NLA	NLA - Seat, Padded Commode (16")	1	1
3	C,H	1123718	Padded Seat Assembly, Commode (16")	1	1
3	D,H	1028042-NLA	NLA - Seat, Padded Commode (18")	1	1
3		1123719	Padded Seat Assembly, Commode (18")	1	1
4		1025378	Hinge, Clip Seat	1	8
5		7930344-NLA	NLA - Package, Flat Head C-Sunk Screw (#10-32 x 1")	25	1
6		1029572-NLA	NLA - Pad, Rubber, Black	1	8
7	I	1057796-NLA	NLA - Paint, Touch-Up	1	1
8	A,E	1079129-NLA	NLA - Kit, Armrest, Navy Blue - Right	1	1
8	A,E	1079130-NLA	NLA - Kit, Armrest, Navy Blue - Left	1	1
8	A,B,F,L	1017683-NLA	NLA - Kit, Armrest, Navy Blue - Right	1	1
8	A,B,F	1017684-NLA	NLA - Kit, Armrest, Navy Blue - Left	1	1
9	E	1163889	Armrests (Pair)	2	1
9	B,F,K	1059660-NLA	NLA - Armrest, Full Length, Grey	1	2
9	I,J	1132261-NLA	NLA - Kit, Armrest with Hardware, Full Length - Grey	1	1
9			NLA - Armrest, Full Length, Grey	1	2
12			NLA - Screw, Phillips Pan Head (1/4 x 1-1/4")	1	4
10	B,G,I	1066569-NLA	NLA - Kit, Arm Pad w/ Hardware (Pair)	1	2
11		1027096	Plug Button, Grey (7/8")	1	12
12	E	1028635-NLA	NLA - Screw, Phillips Pan Head (#10-32 x 1-1/4")	1	4
12	F	1061431-NLA	NLA - Screw, Phillips Pan Head (1/4 x 1-1/4")	1	4
13		1021383-NLA	NLA - Locknut, Hex (5/16-18)	1	4
14		1016301	Washer, Nylon (5/16 x 7/8 x 1/8")	1	4

NOTE: A - Includes Frame and items 10 and 11.  
 B - Due to style change, it is recommended that you order armpads in pairs (Item 9) after 9-3-99.  
 C - 6490 Series.  
 D - 6690 Series.  
 E - Before 7/16/96.  
 F - After 7/17/96.  
 G - After 7/16/98.  
 H - Includes Items 4 and 5.  
 I - Not Shown.  
 J - Kit includes (2) Armrests Part #1059660 and (4) Screws Part #1061431.  
 K - Item no longer available, refer to Kit Part #1132261.  
 L - Item no longer available, no replacement available.

# Rehab Shower/Commode Chair Casters, Handrims and 24" Wheels



## Rehab Shower/Commode Chair Casters, Handrims and 24" Wheels

Item Number	Note	Part Number	Description	Quantity Per	
				Package	Assembly
1	A	1021397-NLA	NLA - Wheel, Pneumatic w/ Composite Handrim - Rear (7 Point) (24")	1	2
2	A,F	1023514-NLA	NLA - Wheel, Composite (24") with Composite Handrim	1	2
3	F	1020562-NLA	NLA - Wheel Assembly, Composite (24")	1	2
3	F	1080384-NLA	NLA - Wheel Assembly w/ Plastic Coated Handrim, Urethane - Rear (9 Point) (24")	1	2
4	A	40176X060	Tire, Composite Pneumatic, Grey (24" x 1-3/8")	1	2
4	M,N	40177X001-NLA	NLA - Tire, Urethane, Grey (24" x 7/8")	1	2
4	F,M,N	1039304	Tire, Urethane, Dark Grey (24" x 1")	1	2
5		40176X061	Tube, Inner, Black (24" x 1-3/8")	1	2
6		40117X006	Bearing (5/8")	1	4
	B,C	1021398-NLA	NLA - Hardware, Wheel	1	1
7		1021391-NLA	NLA - Screw, Hex Head (5/8-18 x 4-1/2")	1	2
8	A	1027600-NLA	NLA - Cap, Black	1	1
	B,D	1028832	Spacer (5/8 x 7/8 x 1/2")	1	2
	B,D	1023523-NLA	NLA - Locknut (5/8-18)	1	2
9	E	See Note	See Footnote	1	1
	B,F	1042074	Hardware, Handrim Attaching - 6 PT.	1	1
10	G,K	1098755	Screw, Hex Head SEMS (#8-10 x 1-1/2")	1	7
10	H	1031348-NLA	NLA - Screw w/ Washer (#10-32)	1	12
10		1025718-NLA	NLA - Screw, Phillips Pan Head (#10-32 x 1-3/4")	1	14
11	I	1025719-NLA	NLA - Spacer	1	14
12	J	1040673-NLA	NLA - Kit, Caster Assembly w/ Bearing Sleeve, Swivel w/o Lock (5")	1	2
12	J	1058160-NLA	NLA - Kit, Caster Assembly w/ Bearing Sleeve, Swivel w/o Lock (5") (Pair)	2	1
13	J	1040674-NLA	NLA - Caster Assembly with Lock	1	2
13	J	1058161-NLA	NLA - Package, Caster Assembly with Lock	4	1
14	D	6297-NLA	NLA - Caster Assembly with Directional Lock	2	1
15		11232X009	Bolt, Lug (5/16-24 x 1-3/8")	1	2
16		7930363-NLA	NLA - Package, Locknut (5/16"-24)	25	1
17		1003757-NLA	NLA - Lock, Swivel	1	2
	B,D	1016682	Bearing, Sleeve Caster	1	4
	B,D,L	1021384-NLA	NLA - Screw, Phillips Pan Head (#8-32 x 1/4")	1	4



## Rehab Shower/Commode Chair Casters, Handrims and 24" Wheels

NOTE: A - For models 6492 and 6692.  
B - Not shown.  
C - Includes Screw, Spacer and Locknut.  
D - See category titled, "Rehab Shower/Commode Chair Back Upholstery, Frame and Wheel Locks."  
E - See category titled, "Handrim Options."  
F - For Models 6495 and 6695.  
G - After 5/19/97. For 7 & 9 Point Composite Handrims.  
H - Before 5/19/97. For Aluminum Handrims.  
I - Before 5/20/97. For Aluminum Handrims.  
J - Replaces 6297 Caster.  
K - For 7-Point and 9-Point Composite Handrims package of 1 and quantity of 9 for assembly.  
L - For 6297.  
M - New Tire will not fit old style Rim. Rim needs to be replaced.  
N - If replacing old style #40177X001, then it is recommended that you replace in pairs #1123880 (not shown) due to style change.

# Handrim Options

**Model 6492, 6692 - 24" Wheels with Pneumatic Tires**

**Model 6495, 6695 - 24" Wheels with Urethane Tires**

Model	Handrim	Description
6492, 6692	1021396-NLA	(7PT) Navy Blue, Aluminum
6492, 6692	1064036	(7PT) Black, Plastic
6495, 6695	1120063-NLA	(6PT) Powder Coated Black
6495, 6695	1063919	(9PT) Black, Plastic
6495, 6695	1021887-NLA	(9PT) Grey, Composite

## Most Common Commode Accessories

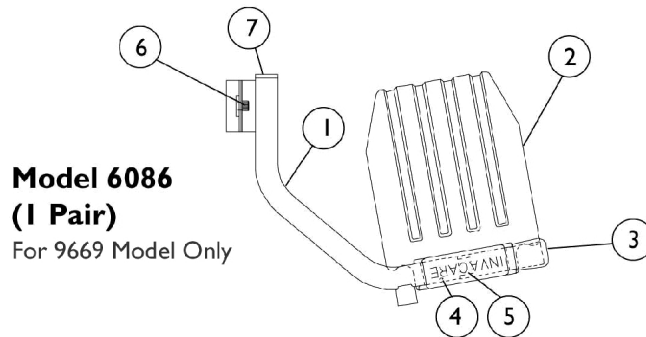
Accessories	Description	Used on the following Model Numbers
1062844-NLA	Bail (Handle for Pail)	6317
13221X000	Lid Only	
6317	Pail with Lid Only (12 pkg.)	9610's, 9620's 9625, 9630's
1152022	Pail with Lid and Handle	9640's, 9669
1062023-NLA See Note(s) C, A	Pail with Lid Only	9650's
1151955 See Note(s) B	Pail with Lid Only	9650's
13245X000	Pan	6496, 6499, 9671, 6490 6492, 6495, 6690, 6692, 6695
13282X000-NLA	Pan/Pail Holder	6496
1019161-NLA	Aluminum Pail Holder	9610's, 9620's, 9625 9630's, 9650
1027004-NLA	Pail Holder - Grey	6470, 6471
1112182	Seat with Lid (Snap on)	9630's, 9650
1112199-NLA	Seat, Commode	9610's
1061998-NLA	Seat Ring (Snap on)	9640's, 9669
6313	Seat with Lid	9610's, 9620's, 9625, 9630's
13211X000	Seat Only	9640's, 9669, 6496
1105644-NLA	Seat with Hardware	6499
6319	Splash Shield (12 pkg.)	9610's, 9620's, 9625, 9630's
1062022	Splash Shield (Single Pkg.)	9640's, 9669, 9650

NOTE: A - Before 8/16/07.  
 B - After 8/15/07.  
 C - No longer available. Use 1151955 as replacement part.

## Most Common Accessories for Discontinued Commodes

Accessories	Description	Used on the following Model Numbers
1062844-NLA	Bail (Handle for Pail)	13040X000, 1015465
13245X000	Pan	6340, 6347, 6349, 6350, 6352, 6353, 6354, 6390, 6392, 6395, 6470, 6471
13282X000-NLA	Pan/Pail Holder	6340, 6347, 6349, 6350, 6352, 6353, 6354, 6396, 6398, 6399
1019161-NLA	Pail Holder (Aluminum)	6425, 6456 6476, 6458, 6478
1027004-NLA	Pail Holder (Grey)	6476, 6477, 6478, 6426, 6456, 6457, 6458, 6468, 6469
13040X000-NLA	Pail with Lid	6425, 6426, 6456, 6457, 6458
1015465-NLA	Pail with Lid and Handle	6468, 6469, 6476, 6477, 6478, 7424, 7425, 7426, 7427, 7455, 7456, 7457, 7476
13211X000 See Note(s) A	Seat Only	6353, 6354, 6396, 6398, 6458
13221X000  See Note(s) A	Lid Only	6399, 6425, 6426, 6456, 6457, 6458, 6469, 6470, 6471, 6476, 6477, 6478, 7424, 7425, 7426, 7427, 7455, 7456, 7457, 7476
1062028-NLA	Seat with Lid	6425, 6426, 6456, 6457, 6458
1079335-NLA	Seat Only	6468, 6469, 6476, 6477, 6478, 7424, 7425, 7426, 7427, 7455, 7456, 7457, 7476
NOTE: A - When using 13211X000 seat on models 6458, 6469, 6478, 7424, 7425, 7427, 7455, 7456, 7457, 7476 and 6468 also use 13245X000 Pan and 1027004 Holder for Pan.		

# Clamp-On Footrests - Model 6086 (For 9669 Model Only)



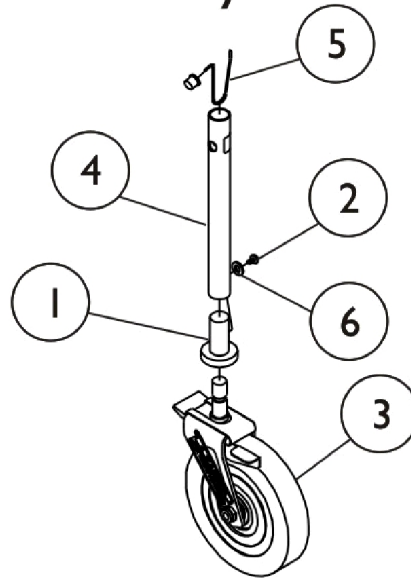
Item Number	Note	Part Number	Description	Quantity Per	
				Package	Assembly
1		1023284-NLA	NLA - Footboard Arm - Right	1	1
1		1023285-NLA	NLA - Footboard Arm - Left	1	1
2		1012376-NLA	NLA - Footplate, Composite, Grey	1	2
3		40186X019-NLA	NLA - Tube, End Cap	1	2
4		7930354-NLA	NLA - Package, Phillips Head Screw (#8-32 x 3/8")	25	1
5		1006981	Spring, Tension	1	2
6		10368X001-NLA	NLA - Screw, Socket Head (1/4-28 x 1/2")	1	2
7		1027096	Plug Button, Grey (7/8")	1	2
	A	10369X000-NLA	NLA - Wrench, Allen (3/16")	1	1

NOTE: A - Not Shown.

# Adjustable Wheeled Legs

## Model 6311

### For 9669 Model Only

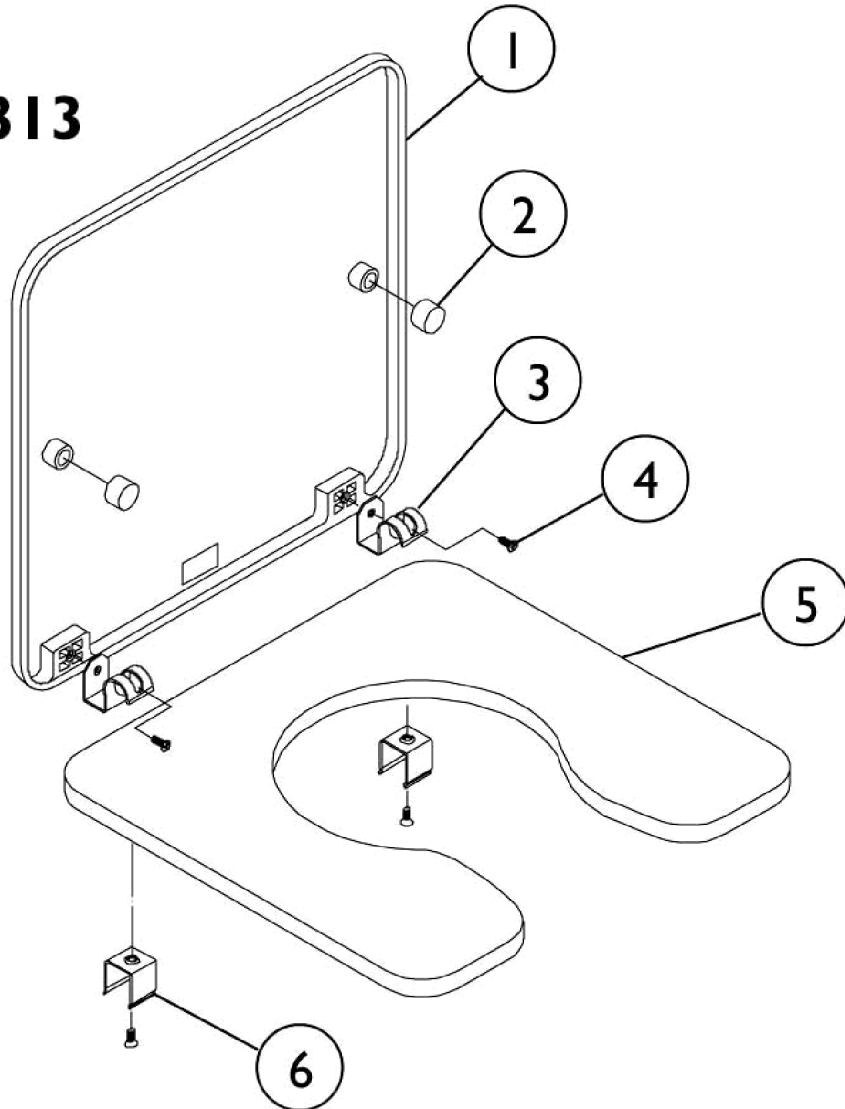


Item Number	Note	Part Number	Description	Quantity Per	
				Package	Assembly
1	C	1069546-NLA	NLA - Bearing, Sleeve Caster	1	4
1	D	1016682	Bearing, Sleeve Caster	1	4
2		1016932-NLA	NLA - Screw, Phillips Pan Head (#8-32 x 1/4")	1	4
3	E	1016936-NLA	NLA - Caster without Wheel Lock (5")	1	2
3		1123547	Caster Assembly, Swivel (5")	1	2
3	B,F	1016937-NLA	NLA - Caster with Wheel Lock (5")	1	2
3		1123546-NLA	NLA - Caster Assembly, Swivel w/ Brake (5")	1	2
4	A,C	1069218-NLA	NLA - Tube, Leg Extension	1	4
4	A,C	1119244	NLA - Tube, Leg Extension	1	4
5		1094945	Button, Snap	1	4
6		1026033	Washer, Nylon (1/4 x 1/2 x 1/16")	1	4

NOTE: A - Before 5/15/97, order complete Model 6311.  
 B - Includes items 1 and 2.  
 C - After 5/14/97.  
 D - Before 5/15/97.  
 E - Item no longer available, refer to Part #1123547.  
 F - Item no longer available, refer to Part #1123546.

# Seat & Lid

## Model 6313

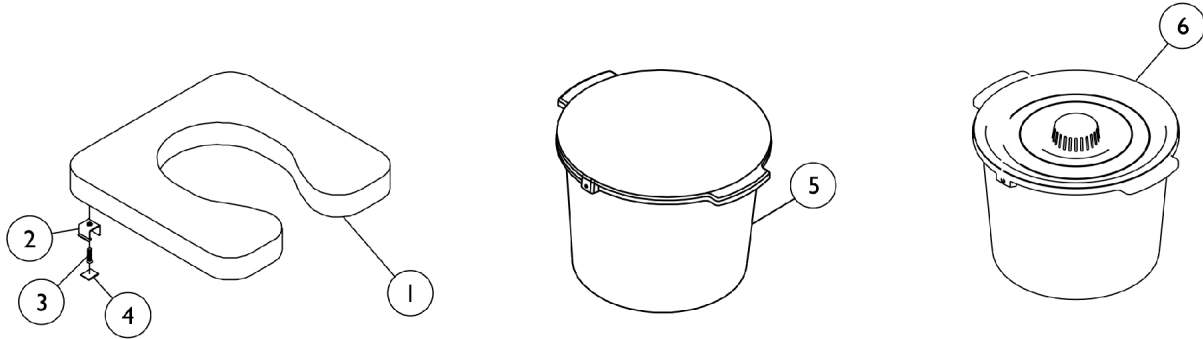


## Seat & Lid

Item Number	Note	Part Number	Description	Quantity Per	
				Package	Assembly
1	A	13221X000	Square Lid w/ Hardware	1	1
2		13222X000-NLA	NLA - Bumper	1	2
3		48017X007	Hinge, Clip Lid	1	2
4		40163X005	Screw, Phillips Flat Head (#10-32 x 1/2")	1	4
5	B	13211X000	Square Seat w/ Hardware	1	1
6		1025378	Hinge, Clip Seat	1	2
NOTE: A - Includes items 2-4. B - Includes items 2, 4 and 6.					



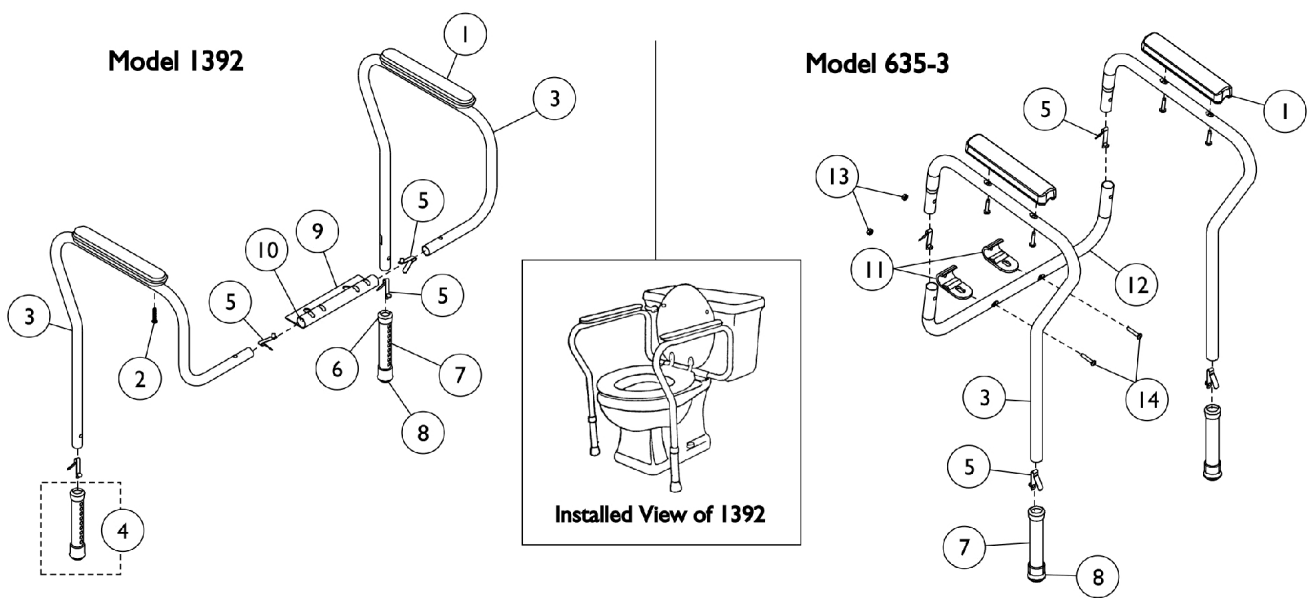
# Seat - Pail - Splash Shield



Item Number	Note	Part Number	Description	Quantity Per	
				Package	Assembly
1	A	1017773-NLA	NLA - Seat, Padded Commode (16")	1	1
1		1123718	Padded Seat Assembly, Commode (16")	1	1
1	B	1028042-NLA	NLA - Seat, Padded Commode (18")	1	1
2		1025378	Hinge, Clip Seat	1	8
3		7930344-NLA	NLA - Package, Flat Head C-Sunk Screw (#10-32 x 1")	25	1
4		1029572-NLA	NLA - Pad, Rubber, Black	1	8
5	C	6319	Shield, Splash	12	1
6	C	6317	Package, Pail w/ Lid w/o Handle	12	1

NOTE: A - Model 6490.  
 B - Model 6690.  
 C - Accessory-12 Pack.

# Toilet Safety Frame - Model 1392 and 635-3



## Toilet Safety Frame - Model 1392 and 635-3

Item Number	Note	Part Number	Description	Quantity Per	
				Package	Assembly
1	A,B	01000X001-NLA	NLA - Armrest, Full Length, Beige	1	2
1	A,C	1163889	Armrests (Pair)	1	1
1	D,E	1073833-NLA	NLA - Armrest, Full Length, White	1	2
1	D,F,N	1059660-NLA	NLA - Armrest, Full Length, Grey	1	2
	L,M	1132261-NLA	NLA - Kit, Armrest with Hardware, Full Length - Grey	1	1
1			NLA - Armrest, Full Length, Grey	1	2
2			NLA - Screw, Phillips Pan Head (1/4 x 1-1/4")	1	4
2	A	48127X001-NLA	NLA - Screw, Phillips Round Head (#10-32 x 1/2")	1	4
2	D	1061431-NLA	NLA - Screw, Phillips Pan Head (1/4 x 1-1/4")	1	4
3	A,K	48016X000-NLA	NLA - Frame, Side - Right	1	1
3	A,K	48016X001-NLA	NLA - Frame, Side - Left	1	1
3	D	1082559-NLA	NLA - Frame, Side Rail, Chrome - Right/Left	1	2
4	A,G	1058806-NLA	NLA - Leg Extension Assembly	1	2
4	A,G,N	1058807-NLA	NLA - Kit, Leg Extension Sub-Assembly	1	1
			Anti-Rattle, Grey (1-1/8")	1	2
			Tube, Leg Extension	1	2
			Tip, Rubber, Light Grey (1-1/8")	1	2
5		1094945	Button, Snap	1	4
6		1063124	Anti-Rattle, Grey (1-1/8")	1	2
7	D	1073450-NLA	NLA - Leg Extension Assembly	1	2
8		1057797	Tip, Rubber, Light Grey (1-1/8")	1	2
9	A	1018602-NLA	NLA - Bracket, Aluminum	1	1
10		1057287	Plug Button, Grey (1")	1	2
11		1073237-NLA	NLA - Clamp, Toilet Rail	1	2
12	D	1073452-NLA	NLA - Brace	1	1
	D,J	1074444-NLA	NLA - Kit, Hardware	1	1
13			Locknut (1/4-20)	1	2
14			Screw, Phillips Pan Head (1/4-20 x 1-3/8")	1	2

NOTE: A - To be used with Model 1392.  
 B - Before 5/17/99.  
 C - After 5/14/09.  
 D - To be used on Model 635-3.  
 E - Before 3/18/99.  
 F - After 3/19/99.  
 G - Kit Includes: Leg Tube, Anti-Rattle and Rubber Tip.  
 J - Kit Includes Items 13 and 14.  
 K - Item no longer available, suggested replacement is a complete unit 1392KD.  
 L - Kit includes (2) Armrests Part #1059660 and (4) Screws Part #1061431.  
 M - Not Shown.  
 N - Item no longer available, refer to Kit Part #1132261.

**Invacare Corporation**

[www.invacare.com](http://www.invacare.com)



**Yes, you can.**

One Invacare Way  
Elyria, Oh USA  
44036-2125  
800-333-6900

Technical Support  
800-832-4707  
Florida Technical Support  
407-321-5630

Customer Service  
800-333-6900

© 2022 Invacare Corporation. All rights reserved. Republication, duplication or modification in whole or in part is prohibited without prior written permission from Invacare. Trademarks are identified by ™ and ®. All trademarks are owned by or licensed to Invacare Corporation or its subsidiaries unless otherwise noted. (Revised 06/21/22)

Form No. 92-44