

**Patient Room Products
Overbed Tables
IV Stands**



Yes, you can.

Parts Catalog Usage Guide

The information contained in this document is subject to change without notice. This catalog contains service parts for Form No. 92-42. If you have any questions regarding this catalog, please contact one of our Customer Service Representatives.

For Customer Service Support Call:

1-800-333-6900

For Faxed In Orders Call:

1-800-678-4682 or

1-440-366-0709

For Technical Service Call:

1-800-832-4707

Literature Can Be Found at:

www.invacare.com or

1-800-828-6272

SYMBOL DEFINITION

Throughout this catalog you will notice letters to draw your attention to specific footnotes which are located at the bottom of the page or below specified charts.

Examples:

A,B,C etc. = Special Comments

NOTE: = General information pertaining to that specific page

NLA = No Longer Available

HARDWARE MEASUREMENTS

The measurements for the hardware will be listed as follows:

Screws, Bolts Diameter X Thread Count/Pitch X Length

Washers Inside Diameter X Outside Diameter X Thickness

Spacers Inside Diameter X Outside Diameter X Length

For your convenience, we have supplied an area for you to list your Invacare Representatives.

Name	Phone Numbers

© 2022 Invacare Corporation, Elyria, Ohio. Invacare, the Medallion Design and Yes, you can. are registered trademarks of the Invacare Corporation. Information is subject to change without notification.

TABLE of CONTENTS

Description	Page Number
Economy Overbed Table	9
I.V. Stand - 6845	6
I.V. Stand - 6845-5 & 6681-5	8
Overbed Tables	4
Warranty Replacement List	3

Warranty Replacement List

The following part numbers will allow you to order (1) each of a product (i.e.; 6845 I.V. Stand 2 per/ctn.) for warranty replacement of a multi-packaged item.

Reference Model #	Warranty Number	Description	Package Quantity
6845	1064801-NLA See Note(s) A	NLA - Stand, I.V., Mobile	1
6681 (NLA)	1064804-NLA See Note(s) A	NLA - Stand, I.V., Economy	1
6845-5	1064803-NLA See Note(s) A	NLA - Stand, I.V., Mobile, Aluminum Base	1
6681-5	1064802-NLA See Note(s) A	NLA - Stand, I.V., Economy, Composite Base	1

NOTE: A - These part numbers are to be used for Warranty Replacement Purposes Only.

Note: When adjusting or replacing parts please refer to your Owner's Manual for assistance.

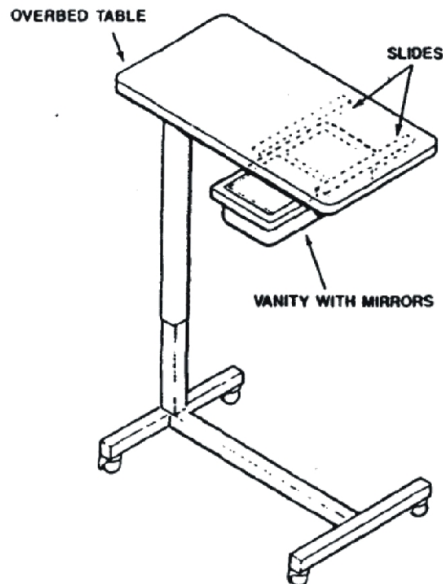
Overbed Tables

If Models 6417 and 6418 have "Manufactured in China" on the column, please contact your Invacare Customer Service Representative at 1-800-333-6900 for Warranty Replacement information. For Models 6417 and 6418 "Not Manufactured in China" Please call 1-800-432-6322 and ask for Jeff Beatty (extension 242) or Kristie Corwin (extension 240).

- Model 6416-W Auto Touch with Finger Tip Control (Discontinued)
- Model 6417 Auto Touch (Shown)
- Model 6418 Tilt Top
- Model 6419 Heavy Duty



Model 6420 Vanity and Mirror
(Discontinued)



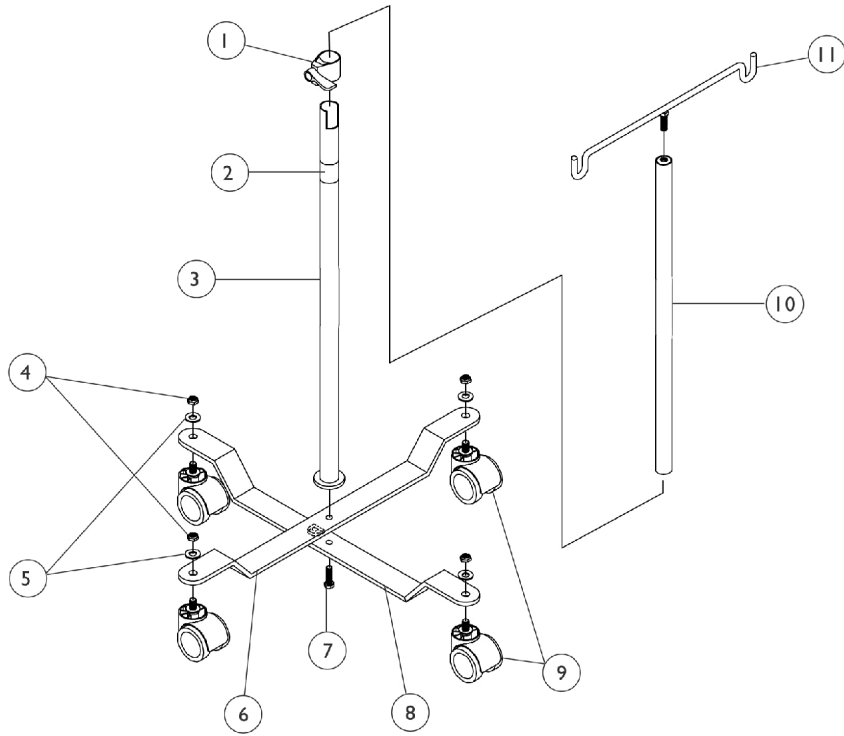
Overbed Tables

If Models 6417 and 6418 have "Manufactured in China" on the column, please contact your Invacare Customer Service Representative at 1-800-333-6900 for Warranty Replacement information. For Models 6417 and 6418 "Not Manufactured in China" Please call 1-800-432-6322 and ask for Jeff Beatty (extension 242) or Kristie Corwin (extension 240).

Item Number	Note	Part Number	Description	Quantity Per	
				Package	Assembly
	B,D	1134778-NLA	NLA - Package, Casters - OBT	4	1
	A,C,D	1144544	Package, Casters	4	1
NOTE: A - Includes (2) locking casters and (2) non-locking casters B - Used with the 6417 and 6418, Before 10/06. C - Used with 6417 and 6418, After 9/06. D - The date code label is located on the column for the Overbed Table, when selecting castors for the 6417 and 6418 please note the date code in determining which caster is needed.					

I.V. Stand Model 6845

Model 6845



I.V. Stand Model 6845

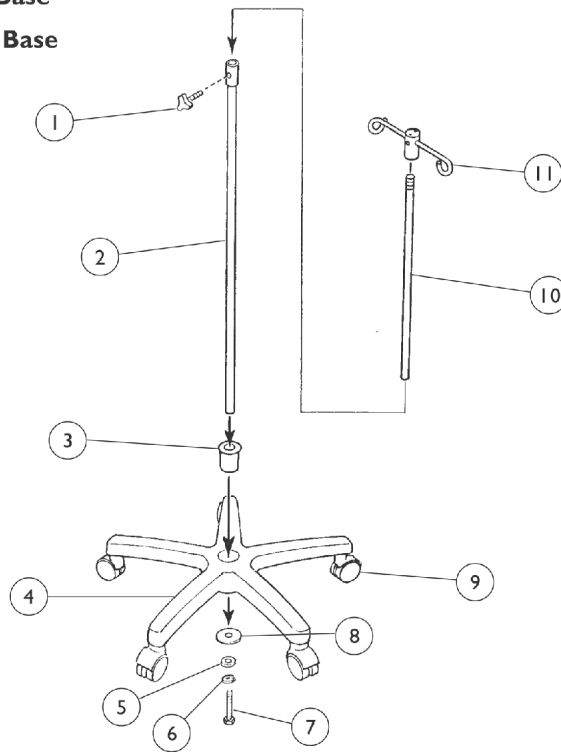
Item Number	Note	Part Number	Description	Quantity Per	
				Package	Assembly
1		12592X000-NLA	NLA - Adjustment Lock Assembly, Chrome	1	1
2		1095497	Decal, Invacare Logo (1.6)	1	1
3	A	18051X000-NLA	NLA - Tube, Lower	1	1
4		40363X000	Hex Nut (3/8"-16)	1	4
5		16325X000-NLA	NLA - Washer (3/8 x 13/16 x 1/16")	1	4
6	A	18054X000-NLA	NLA - Base, Upper Half	1	1
7		12144X000	Screw, Hex Head (5/16-18 x 1")	1	1
8	A	18056X000-NLA	NLA - Base, Lower Half	1	1
9		1050270-NLA	NLA - Kit, Caster for I.V. Rod (2")	1	4
10		18052X000-NLA	NLA - Tube, Upper	1	1
11	A	18053X000-NLA	NLA - Hanger, I.V.	1	1

NOTE: A - For replacement parts, order 6845

I.V. Stand

Model 6845-5 Aluminum Base

Model 6681-5 Composite Base

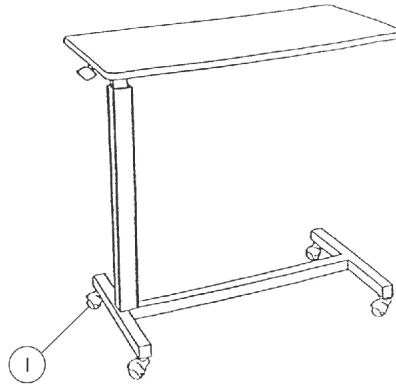


Item Number	Note	Part Number	Description	Quantity Per	
				Package	Assembly
1		S6123C-NLA	NLA - Knob, Adjustment Screw	1	1
2		S6123D-NLA	NLA - I.V. Tube, Lower	1	1
3		S6123E-NLA	NLA - Cap, Base	1	1
4		S6123FA-NLA	NLA - Base Only without Casters Aluminum (6845-5)	1	1
4		S6123FP-NLA	NLA - Base Only without Casters Composite (6681-5)	1	1
5		S6123N-NLA	NLA - Washer (13/32 x 1-1/16 x 3/32")	1	1
6		S6123I-NLA	NLA - Washer, Lock (13/32 x 5/8 x 3/32")	1	1
7		S6123J-NLA	NLA - Bolt, Hex Head (3/8-16 x 1-7/16")	1	1
8		S6123H-NLA	NLA - Washer (13/32 x 2-5/16 x 1/8")	1	1
9		S6123GS-NLA	NLA - Caster, Chrome (6845-5)	1	5
9		S6123GB-NLA	NLA - Caster, Black (6681-5)	1	5
10		S6123B-NLA	NLA - I.V. Tube, Upper	1	1
11		S6123A-NLA	NLA - Hanger, I.V.	1	1

Economy Overbed Table

Model 6400

Model 6400



Item Number	Note	Part Number	Description	Quantity Per	
				Package	Assembly
1	A,B	52000M343-NLA	NLA - Caster Assembly (2")	1	4
		52000M344-NLA	NLA - Kit, Hardware Package	1	1
NOTE: A - Not Shown B - Includes Screw, Bolt, Washer, Spacer and Wrench.					

Invacare Corporation

www.invacare.com



Yes, you can.

One Invacare Way
Elyria, Oh USA
44036-2125
800-333-6900

Technical Support
800-832-4707
Florida Technical Support
407-321-5630

Customer Service
800-333-6900

© 2022 Invacare Corporation, Elyria, Ohio.
All rights reserved. Trademarks are
identified by the symbols TM and ©. All
trademarks are owned by or licensed to
Invacare Corporation unless otherwise
noted. Information is subject to change
without notification. (Revised 06/21/22)

Form No. 92-42