

# Seating and Positioning



*Yes, you can.*

# Parts Catalog Usage Guide

The information contained in this document is subject to change without notice. This catalog contains service parts for Form No. 92-38. If you have any questions regarding this catalog, please contact one of our Customer Service Representatives.

**For Customer Service Support Call:**

**1-800-333-6900**

**For Faxed In Orders Call:**

**1-800-678-4682 or**

**1-440-366-0709**

**For Technical Service Call:**

**1-800-832-4707**

**Literature Can Be Found at:**

**www.invacare.com or**

**1-800-828-6272**

## SYMBOL DEFINITION

Throughout this catalog you will notice letters to draw your attention to specific footnotes which are located at the bottom of the page or below specified charts.

Examples:

A,B,C etc. = Special Comments

NOTE: = General information pertaining to that specific page

NLA = No Longer Available

## HARDWARE MEASUREMENTS

The measurements for the hardware will be listed as follows:

Screws, Bolts Diameter X Thread Count/Pitch X Length

Washers Inside Diameter X Outside Diameter X Thickness

Spacers Inside Diameter X Outside Diameter X Length

For your convenience, we have supplied an area for you to list your Invacare Representatives.

Name	Phone Numbers

© 2022 Invacare Corporation, Elyria, Ohio. Invacare, Ulti-Mate, Infinity, Silhouette, ContourU, Yes, you can. and the Medallion Design are registered trademarks; Personal Back 10, Personal Back 10 Plus, Personal Seat VF, DualFlex, UniBack, InTouch, TargIT, Stabillite, Flovair, PaxBak, and AirFlo are trademarks of Invacare Corporation.

# TABLE of CONTENTS

Description	Page Number
Comfort-Mate Extra Base Hardware .....	81
Comfort-Mate Extra Base Inner Covers .....	80
Comfort-Mate Extra Base Outer Covers (CMBXC) .....	82
Comfort-Mate Extra Cushion Outer Covers (CMEXC) .....	79
Comfort-Mate Hardware .....	78
Contoura Seating, Seat Cushion .....	62
Curved Back and Curved Back Pneumatic Covers, Cane Clamps and Back Mounting Hooks	92
Drop Base Mounting Hardware .....	67
Infinity Back Hardware and Accessories - After 12/15/01 .....	17
Infinity Back Hardware and Accessories - Before 12/15/01 .....	13
Infinity Drop Base Hardware .....	11
Infinity Inner Cushion Covers .....	25
Infinity Leg Wedges, FloGel, and Visco Foam Inserts .....	58
Infinity LoBac Hardware and Accessories .....	22
Infinity Outer Cushion Covers .....	24
InTouch Flovair Replacement Outer Covers (Before 11/21/11) .....	43
InTouch Propel Back .....	26
InTouch Stabilite OM Obliquity Inserts .....	48
InTouch Stabilite OM Removable Leg Wedge .....	50
InTouch Stabilite OM Replacement Inner Covers (Incontinence) .....	54
InTouch Stabilite OM Replacement Outer Covers .....	47

# TABLE of CONTENTS

Description	Page Number
InTouch Stabilite Replacement Outer Covers (Before 11/21/11) .....	45
InTouch TargIT Covers .....	41
KSS Mounting Brackets For (12"-16" Wide) ADJASBA and Pronto M71 jr.Seat Frames .....	101
KSS Seating Accessories for Abductors, Adductors and Laterals .....	95
KSS Seating Accessories for Basic Head Support .....	97
KSS Seating Accessories for Headrest Pads and Growth Brackets .....	99
Matrx Airflo Inner Covers .....	60
Matrx Airflo Inserts and Accessories .....	61
Matrx Flovair Replacement Gel/Air Overlays .....	57
Matrx Flovair Replacement Outer Covers (After 11/20/11) .....	44
Matrx PB Back, Matrx PB Deep Back, Matrx PB HD Back and Matrx PB Deep HD Back .....	77
Matrx PCS Back Headrest Clamp Kit - Lever Style .....	37
Matrx PCS Back Mounting Hardware - Tilt & Recline Only .....	32
Matrx PCS Back Mounting Hardware and Cane Clamp Hardware - Round Canes (14"-19" W)	28
Matrx PCS Back Mounting Hardware and Cane Clamp Hardware - Round Canes (20"-24" W)	30
Matrx PCS Back Upholstery Assemblies .....	34
Matrx PCS Back Wire Tray .....	36
Matrx PCS Lateral Support .....	39
Matrx Personal Back10 (TALL Reg./TALL Plus) Hardware, Formula TRE Conv. Recline w/ BPO Option - For Extruded Canes	75
Matrx Stabilite & Flovair Removable Leg Wedge .....	52
Matrx Stabilite and InTouch Stabilite OM Replacement Air Overlays .....	56

# TABLE of CONTENTS

<b>Description</b>	<b>Page Number</b>
Matrx Stabilite Replacement Outer Covers (After 11/20/11) .....	46
Packaging & Literature .....	6
PaxBac Hardware .....	91
Personal Back, Personal Back Plus, Matrx Personal Back10 Reg./Tall, Matrx Personal Back10 Plus Reg./Tall - For Round Canes	69
Personal Seat Covers .....	65
Personal Seat Fluid Bag .....	66
PinDot ContourU Adjustable Footrests .....	124
PinDot ContourU Adjustable Legrest Tops .....	126
PinDot ContourU and Silhouette Back and Seat Mounting Hardware, For 7/8" or 1" Tubing (FDI-596 ECONO-EZE and FDI-538 ECONO-EZE)	129
Pindot ContourU and Silhouette Infinity Gel Bag Assembly - CM30GLG .....	128
PinDot ContourU Arm Rests .....	117
PinDot ContourU Back Adjustable J Hook Horseshoe Clip Hardware .....	108
PinDot ContourU Back Adjustable Universal Interfacing Hardware Kit - HWABK .....	110
PinDot ContourU Bracket, Swing Away .....	112
PinDot ContourU Dial Links .....	115
PinDot ContourU Growth Links .....	113
PinDot ContourU Pan Mounting Brackets .....	120
PinDot ContourU Seat Pans .....	119
PinDot ContourU Wood Mounting Brackets .....	122
PinDot Silhouette Back Mounting Hardware .....	131
PinDot Silhouette Extended Mounting Bracket .....	135

# TABLE of CONTENTS

<b>Description</b>	<b>Page Number</b>
PinDot Silhouette Lateral Supports and Inserts .....	133
PinDot Silhouette Shape Sensor and (ContourU Base Before 9/1/09) .....	137
PinDot Silhouette Shape Sensor and (ContourU Before 9/1/09) Hardware .....	140
PinDot Silhouette Shape Sensor and ContourU Accessories .....	139
S-Back Cover .....	90
Stabilite & Flovair Replacement Inner Covers (Incontinence) .....	55
Tray Mounting Hardware - Swing and Non-Swing Lap .....	103
Tray Mounting Hardware - TR40L and TR40R .....	105
Ulti-Mate Air Back and Ulti-Mate Air Back Pneumatic .....	87
Ulti-Mate Base Hardware .....	85
Ulti-Mate Base Inner Covers .....	86
Ulti-Mate Cushion Inner Cover .....	83
Versair Adjustable Tension Back Upholstery Assemblies and Privacy Flaps .....	106

# Packaging and Literature

## Packaging

System	Carton Part Number	Carton Dimensions
Shape Sensor, Back Digitizer	1300034-NLA	29-41/64" x 15-7/8" x 35"
Shape Sensor, Seat Digitizer	1300026-NLA	24" x 10" x 32"
Shape Sensor, Frame	1300046-NLA	33-3/8" x 15" x 42-1/4"
Comfort-Mate, Cushion	1071927-NLA	18-3/4" x 5-1/4" x 21"
InTouch Cushion 15"-18" Wide x 15"-19" Deep	1142650-NLA See Note(s) A	18-1/2" x 4-7/8" x 19-5/8"
InTouch Cushion 19"-24" Wide x 20"-22" Deep	1142651-NLA See Note(s) A	24-1/2" x 4-7/8" x 23-5/8"
InTouch Propel Back 15"-18" Wide x 15"-20" Deep	1142650-NLA See Note(s) A	24-1/2" x 4-7/8" x 23-5/8"

NOTE: A - The bag is included with the Carton.

## Literature - ContourU

Item Number	Description
0900114-NLA	Instruction Sheet, Pan Mounting Bracket
0900119-NLA	Instruction Sheet, Snap Lock Assembly
0900120-NLA	Instruction Sheet, Universal Clamp Assembly
0900116-NLA	Instruction Sheet, Wood Mounting Bracket

NOTE: When adjusting or replacing parts, please refer to your Owner's Manual for assistance.

# Packaging and Literature

## Literature - Infinity

Part Number	Description
1077719-NLA See Note(s) A	Instruction Sheet, Infinity Back
1109923-NLA See Note(s) A	Owner's Manual, Infinity Back
1095174-NLA	Owner's Manual, LoBac Hardware
1081825-NLA See Note(s) A	Instruction Sheet, Infinity Drop Base
1081823-NLA	Instruction Sheet, Infinity Gel Insert
1084380-NLA See Note(s) A	Instruction Sheet, Infinity Headrest Clamp
1079306-NLA See Note(s) A	Instruction Sheet, Infinity Headrest
1081824-NLA	Instruction Sheet, Infinity Cushion
1074563-NLA See Note(s) A	Instruction Sheet, Slide Release

NOTE: A - Item is no longer available from the Invacare Service Parts Department. Refer to the Invacare Website under "Product Literature Search". Enter the part number in the "Keywords" field and download a free PDF version copy.

NOTE: When adjusting or replacing parts, please refer to your Owner's Manual for assistance.



# Packaging and Literature

## Literature - Invacare Conventional Seating

Part Number	Description
1078995-NLA See Note(s) A	Instruction Sheet, Absolute Cushion (formally know as Esstential Cushions)
1100883-NLA	Instruction Sheet, Single Density Cushion
1061931-NLA	Instruction Sheet, Personal Seat
1034270-NLA	Owner's Manual, Personal Back
1114817-NLA See Note(s) A	Instruction Sheet, Personal Back10
1049521-NLA See Note(s) A	Instruction Sheet, Headrest Reinforcement Kit
1060985-NLA See Note(s) A	Instruction Sheet, Personal Back Mounting Hardware
0900114-NLA	Instruction Sheet, Pan Mounting Bracket
0900119-NLA	Instruction Sheet, Snap Lock Assembly
0900120-NLA	Instruction Sheet, Universal Clamp Assembly
0900116-NLA	Instruction Sheet, Wood Mounting Bracket
1036731-NLA See Note(s) A	Instruction Sheet, Flip Kit Personal Back
1053771-NLA	Instruction Sheet, MSDS Personal Back - part A
1053772-NLA	Instruction Sheet, MSDS Personal Back - part B
NOTE: A - Item is no longer available from the Invacare Service Parts Department. Refer to the Invacare Website under "Product Literature Search". Enter the part number in the "Keywords" field and download a free PDF version copy.	
NOTE: When adjusting or replacing parts, please refer to your Owner's Manual for assistance.	

# Packaging and Literature

## Literature - KSS Seating System

Part Number	Description
1068864-NLA See Note(s) A	NLA - Instruction Sheet, Comfort Mate/Comfort Mate Plus Cushion/Base
1068869-NLA	NLA - Instruction Sheet, Curved Back
1068857-NLA See Note(s) A	Instruction Sheet, Growth Bracket
1068446-NLA See Note(s) A	Instruction Sheet, K.S.S. Seating System
1074563-NLA See Note(s) A	Instruction Sheet, Slide Release
1068862-NLA	Instruction Sheet, S-Back
1068863-NLA See Note(s) A	Instruction Sheet, Ulti-Mate Air Back
1068446-NLA See Note(s) A	Instruction Sheet, K.S.S. Seating System
NOTE: A - Item is no longer available from the Invacare Service Parts Department. Refer to the Invacare Website under "Product Literature Search". Enter the part number in the "Keywords" field and download a free PDF version copy.	
NOTE: When adjusting or replacing parts, please refer to your Owner's Manual for assistance.	

## Literature - Shape Sensor

Part Number	Description
0900105-NLA See Note(s) A	Instruction Sheet, 2.5 Base Assembly
0900017-NLA See Note(s) A	Instruction Sheet, Shape Sensor System
NOTE: A - Item is no longer available from the Invacare Service Parts Department. Refer to the Invacare Website under "Product Literature Search". Enter the part number in the "Keywords" field and download a free PDF version copy.	
NOTE: When adjusting or replacing parts, please refer to your Owner's Manual for assistance.	

# Packaging and Literature

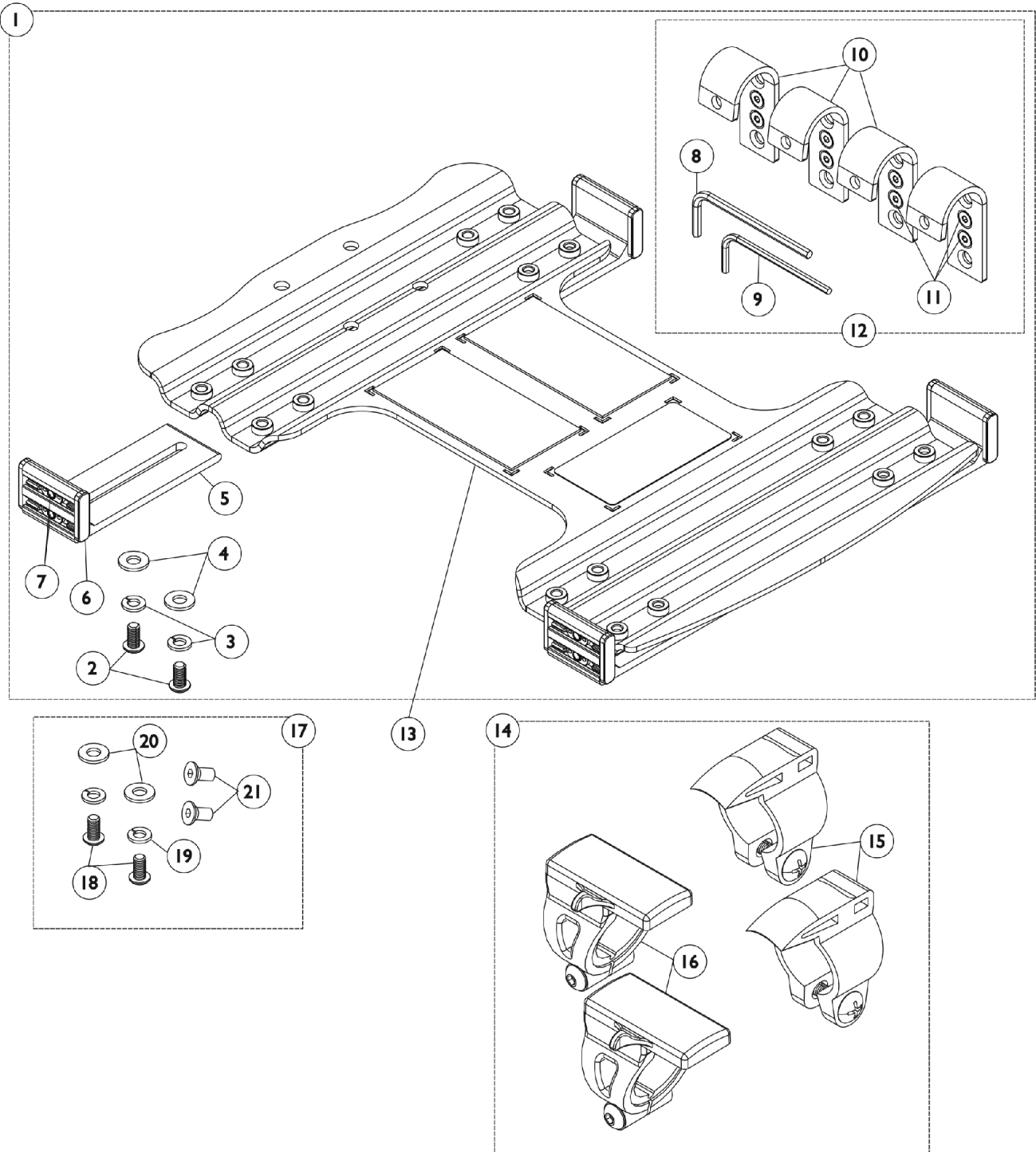
## Literature - Silhouette

Part Number	Description
0900110-NLA	Instruction Sheet, Back Mounting Hardware
0900123-NLA	Instruction Sheet, Extended Mounting Bracket
0900111	Instruction Sheet, Headrest Mounting Bracket
0900103-NLA See Note(s) A	Instruction Sheet, Lateral Supports
1080355-NLA	Instruction Sheet, Silhouette Installation
0900121-NLA See Note(s) A	Instruction Sheet, Tray Mounting Hardware
0900118-NLA See Note(s) A	Instruction Sheet, Quick Lock Clamp Assembly
0900120-NLA	Instruction Sheet, Universal Clamp Assembly
NOTE: A - Item is no longer available from Invacare Service Parts Department. Refer to the Invacare Website under "Product Literature Search". Enter the part number in the "Keywords" field and download a free PDF version copy.	
NOTE: When adjusting or replacing parts, please refer to your Owner's Manual for assistance.	

## Literature - InTouch

Part Number	Description
1141447-NLA See Note(s) A	Instruction Sheet, Flovair
1141448-NLA See Note(s) A	Instruction Sheet, Stabilite
1143199-NLA	Instruction Sheet, Propel Back
NOTE: A - Item is no longer available from the Invacare Service Parts Department. Refer to the Invacare Website under "Product Literature Search". Enter the part number in the "Keywords" field and download a free PDF version copy.	

# Infinity Drop Base Hardware



# Infinity Drop Base Hardware

Item Number	Note	Part Number	Description	Quantity Per	
				Package	Assembly
1	A	1084040	Kit, Drop Base Hooks and Hardware	1	1
2			Screw, Socket Button Head (1/4-20 x 5/8")	1	8
3			Lockwasher, Split (1/4")	1	8
4			Washer, Steel (5/16 x 3/4 x 1/16")	1	8
5			Extrusion, Drop Base	1	4
6			Cap, End	1	8
7			Nut, Track	1	8
8			Key, Allen (5/32")	1	1
9			Key, Allen (1/8")	1	1
10			Hook, Drop Base	1	4
11			NLA - Screw, Socket Flat Head (#10-32 x 3/8")	1	8
12	B	1084152-NLA	NLA - Kit, Infinity Drop Hook	1	1
8			Key, Allen (5/32")	1	1
9			Key, Allen (1/8")	1	1
10			Hook, Drop Base	1	4
11			NLA - Screw, Socket Flat Head (#10-32 x 3/8")	1	8
13		See Chart	Item #13 - Drop Base Pans	1	1
14	C	1084039-NLA	NLA - Kit, Drop Base Clamp with Instruction Sheet	1	1
15			NLA - Clamps, Fixed Rail w/ Instruction Sheet (7/8" and 1" Tubing) (Pair)	2	1
16			NLA - Clamps, Slide Release Rail w/ Instruction Sheet (7/8" and 1" Tubing)	2	1
17	D	1084355-NLA	NLA - Instruction Sheet, Slide Release	1	1
18			NLA - Kit, Infinity Drop Base Hardware	1	1
18			Screw, Socket Button Head (1/4-20 x 5/8")	1	8
19			Lockwasher, Split (1/4")	1	8
20			Washer, Steel (5/16 x 3/4 x 1/16")	1	8
21			NLA - Screw, Socket Flat Head (#10-32 x 3/8")	1	8

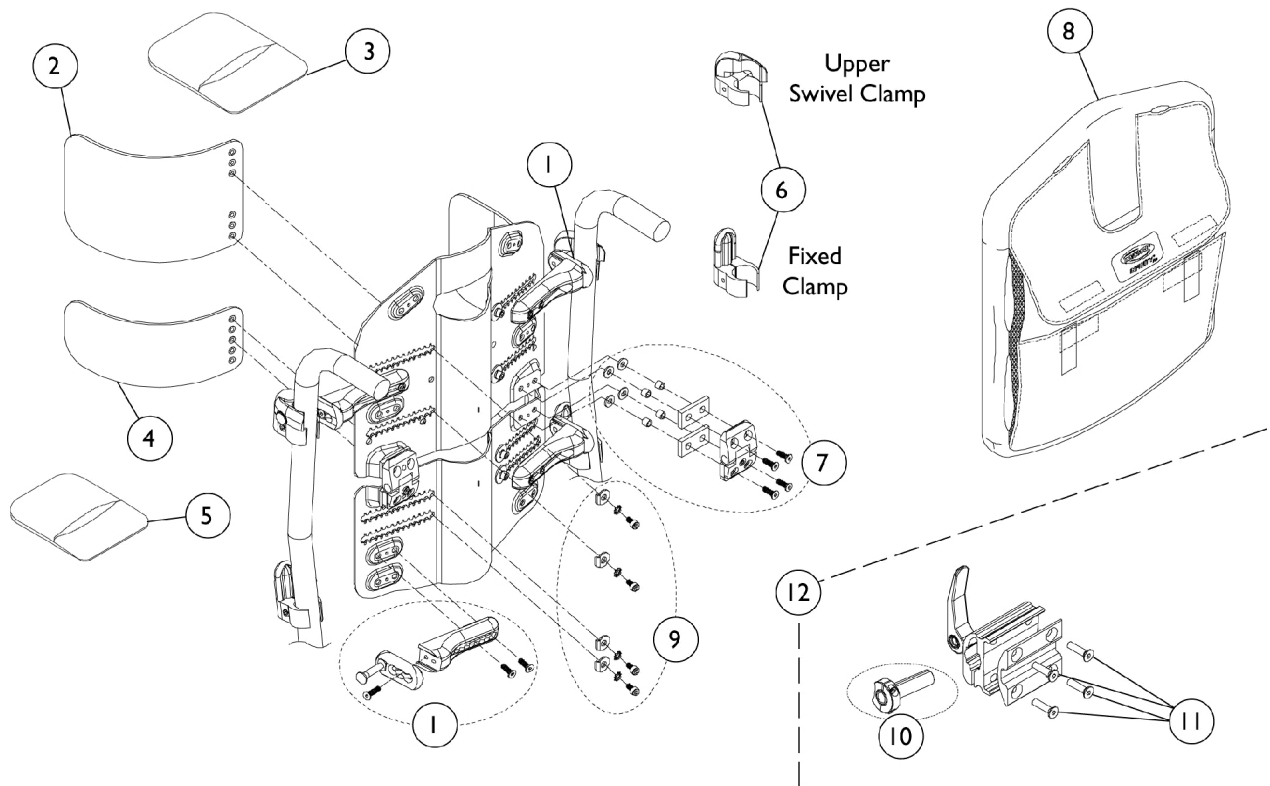
NOTE: A - Includes: Items 2 - 11  
 B - Includes: Items 8 - 11  
 C - Includes: Items 15, 16 and Instruction Sheet  
 D - Includes: Items 18 - 21

## Item #13 - Drop Base Pans

	16" Deep	18" Deep	20" Deep
14-16" Wide	1084041-NLA	1084042-NLA	1084043-NLA
17-19" Wide	1084044-NLA	1084045-NLA	1084046-NLA
20-22" Wide	1084047-NLA	1084048-NLA	1084049-NLA

# Infinity Back Hardware and Accessories - Before 12/15/01

## Including UniBack, DualFlex and DualFlex Short



## Infinity Back Hardware and Accessories - Before 12/15/01 Including UniBack, DualFlex and DualFlex Short

Item Number	Note	Part Number	Description	Quantity Per	
				Package	Assembly
1		1084052-NLA	NLA - Kit, Back Hardware	1	1
			Bracket, Adjustment, Black	1	2
			Bracket, Width Adjustment, Black	1	2
			Screw, Socket Flat Head (#10-32 x 3/4")	1	2
			Screw, Socket Head (#10-32 x 5/8")	1	4
2		1084053-NLA	NLA - Kit, Lateral Support - Upper (Mild)	1	1
			Lockwasher, External Tooth (#10)	1	4
			Support, Upper Lateral, Mild Contour	1	2
			Foam, Upper Lateral, Standard Contour	1	2
			NLA - Screw, Socket Head (#10-32 x 1/2")	1	4
			Washer, Bent (1/4")	1	4
			Cover, Upper Lateral, Mild	1	2
2		1084054-NLA	NLA - Kit, Lateral Support - Upper (Max)	1	1
			Lockwasher, External Tooth (#10)	1	4
			Support, Upper Lateral, Max Contour	1	2
			Foam, Upper Lateral, Max Contour	1	2
			NLA - Screw, Socket Head (#10-32 x 1/2")	1	4
			Washer, Bent (1/4")	1	4
			NLA - Cover, Upper Lateral, Max	1	2
2	E	1084055-NLA	NLA - Kit, Lateral Support - Lower (Moderate)	1	1
			Lockwasher, External Tooth (#10)	1	4
			Support, Lower Lateral, Mild Contour	1	2
			Foam, Support, Mild	1	2
			NLA - Screw, Socket Head (#10-32 x 1/2")	1	4
			Washer, Bent (1/4")	1	4
			Cover, Lower Lateral, Mild	1	2
2	F	1084056-NLA	NLA - Kit, Lateral Support - Lower (Max)	1	1
			Lockwasher, External Tooth (#10)	1	4
			Support, Lower Lateral, Max Contour	1	2
			Foam, Lower Lateral, Max Contour	1	2
			NLA - Screw, Socket Head (#10-32 x 1/2")	1	4
			Washer, Bent (1/4")	1	4
			Cover, Lower Lateral, Max	1	2
3		1087327	Cover, Upper Lateral, Mild	1	2
3		1087328-NLA	NLA - Cover, Upper Lateral, Max	1	2
3	E	1087325	Cover, Lower Lateral, Mild	1	2
3	F	1087326	Cover, Lower Lateral, Max	1	2
4	G	1084055	NLA - Kit, Lateral Support - Lower (Moderate)	1	1
			Lockwasher, External Tooth (#10)	1	4
			Support, Lower Lateral, Mild Contour	1	2
			Foam, Support, Mild	1	2
			NLA - Screw, Socket Head (#10-32 x 1/2")	1	4

## Infinity Back Hardware and Accessories - Before 12/15/01 Including UniBack, DualFlex and DualFlex Short

Item Number	Note	Part Number	Description	Quantity Per				
				Package	Assembly			
4	G	1084056-NLA	Washer, Bent (1/4")	1	4			
			Cover, Lower Lateral, Mild	1	2			
			NLA - Kit, Lateral Support - Lower (Max)	1	1			
			Lockwasher, External Tooth (#10)	1	4			
			Support, Lower Lateral, Max Contour	1	2			
			Foam, Lower Lateral, Max Contour	1	2			
			NLA - Screw, Socket Head (#10-32 x 1/2")	1	4			
			Washer, Bent (1/4")	1	4			
5		1087325	Cover, Lower Lateral, Max	1	2			
			Cover, Lower Lateral, Mild	1	1			
5		1087326	Cover, Lower Lateral, Max	1	2			
6		1084057-NLA	Kit, Cane Clamps	1	1			
			Kit, Cane Clamp	1	1			
7		1109936-NLA	NLA - Kit, DualFlex Hinge	1	1			
			Wrench, Allen (3/16")	1	1			
			Key, Hex (1/8")	1	1			
			Hinge Assembly	1	1			
			Spacer, Rubber Block	1	2			
			Spacer, Steel (13/64 x 9/32 x 5/16")	1	4			
			NLA - Screw, Socket Head (#10-32 x 3/4")	1	4			
			Locknut (#10-32)	1	4			
			8		See Chart	Item #8 - Back Cushion Assembly (Before 12/15/01)	1	1
						9	1084356-NLA	NLA - Kit, Back Mounting Hardware
			Lockwasher, External Tooth (#10)	1	8			
			Spacer, Rubber Block	1	4			
NLA - Screw, Socket Flat Head (#10-32 x 1/2")	1	8						
NLA - Screw, Socket Head (#10-32 x 1/2")	1	8						
Screw, Socket Flat Head (#10-32 x 3/4")	1	4						
Screw, Socket Head (#10-32 x 5/8")	1	16						
Key, Allen (5/32")	1	1						
Spacer, Steel (13/64 x 9/32 x 5/16")	1	8						
Washer, Bent (1/4")	1	8						
10		1084667-NLA	Key, Hex (1/8")	1	1			
			NLA - Adapter, Headrest (Whitmyer)	1	1			
11	A,D	1086206-NLA	NLA - Screw, Socket Flat Head (#10-32 x 3/4")	1	4			
11	B,D	1084412-NLA	NLA - Screw, Socket Head (#10-32 x 1/2")	1	4			
12	C,H	1084666	Kit, Headrest Clamp	1	1			
			NLA - Instruction Sheet, Infinity Headrest Clamp	1	1			
			NLA - Clamp, Universal Headrest	1	1			



# Infinity Back Hardware and Accessories - Before 12/15/01

## Including UniBack, DualFlex and DualFlex Short

NOTE: A - Before 3/1/00.  
 B - After 2/29/00.  
 C - Does not include item 10.  
 D - Used for Headrest Clamp.  
 E - Used on DualFlex Short, Mild Contour.  
 F - Used on DualFlex Short, Max Contour.  
 G - Used as Pelvic Stabilizer Pads (Lower) on some Back Models.  
 H - Part number 1084380 is no longer available from the Invacare Service Parts Department. Refer to the Invacare Website under "Product Literature Search". Enter the part number in the "Keywords" field and download a free PDF version copy.

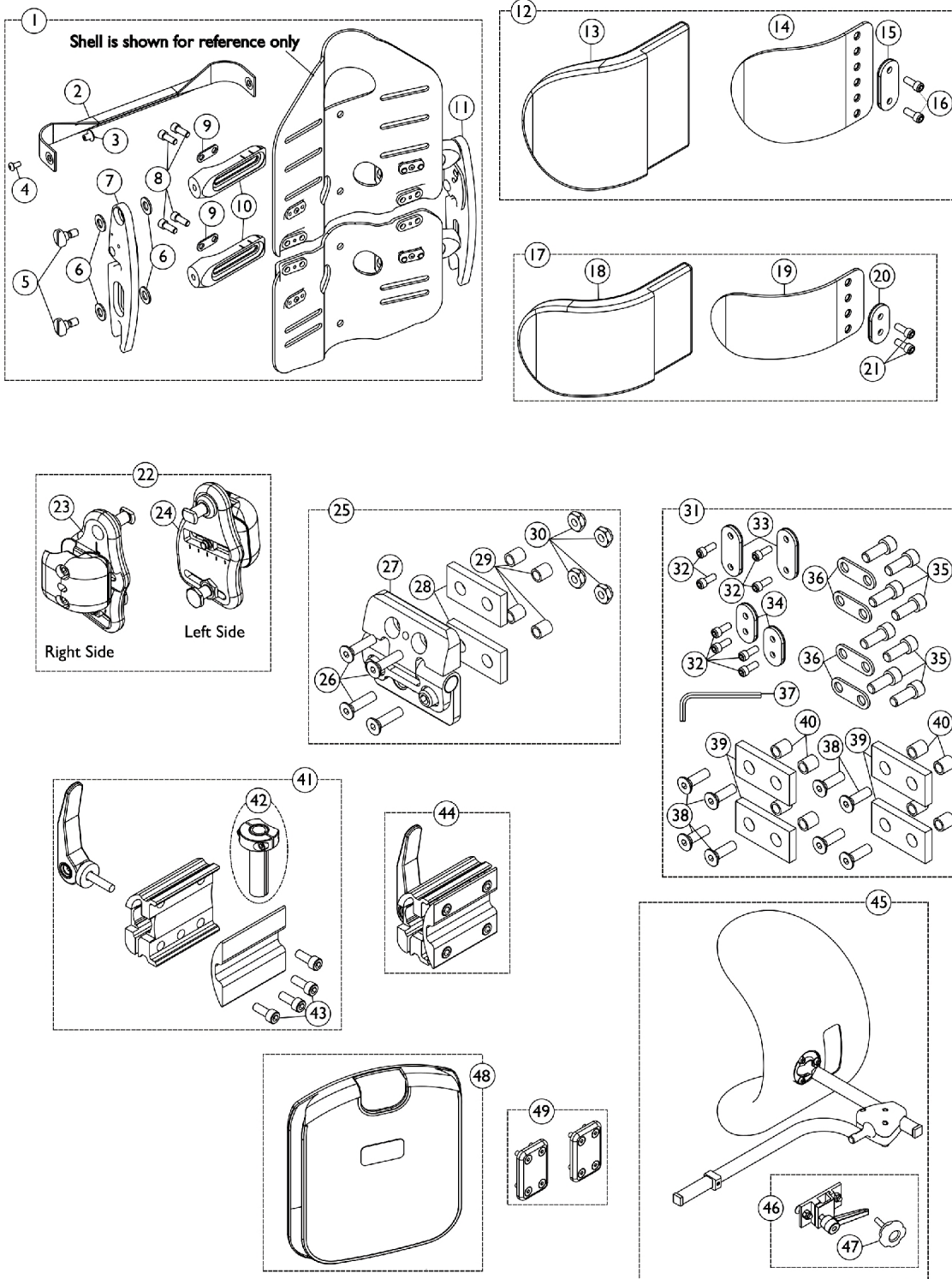
### Item #8 - Back Cushion Assembly (Before 12/15/01)

	Short (14-1/4")	Regular (17-1/4")	Tall (20-1/4")
DualFlex - Small (11")	1101202-NLA	1084059-NLA	1084060-NLA
DualFlex - Medium (14")	1101203-NLA	1084061-NLA	1084062-NLA
DualFlex - Large (17")	1101204-NLA	1084063-NLA	1084064-NLA
UniBack - Small (11")	N/A	1084065-NLA	1084066-NLA
UniBack - Medium (14")	N/A	1084067-NLA	1084068-NLA
UniBack - Large (17")	N/A	1084069-NLA	1084070-NLA

NOTE: Back Cushion Assembly includes the foam and cover.

# Infinity Back Hardware and Accessories - After 12/15/01

## Including UniBack 10, DualFlex 10, and DualFlex Short



# Infinity Back Hardware and Accessories - After 12/15/01

## Including UniBack 10, DualFlex 10, and DualFlex Short

Item Number	Note	Part Number	Description	Quantity Per	
				Package	Assembly
1	B,G,M	1110437-NLA	NLA - Kit, Back Hardware - Small	1	1
2			Pull Strap Assembly, Small	1	1
3			Rivnut (#10-32)	1	2
4			NLA - Screw, Socket Button Head (#10-32 x 3/8")	1	2
5			NLA - Screw, Shoulder Slotted Head (3/8 x 5/16", 5/16-18)	1	4
6			NLA - Washer, Nylon (3/8 x 3/4 x 3/16")	1	8
7			Arm Bracket Assembly - Right	1	1
8			NLA - Screw, Socket Head (1/4-20 x 5/8")	1	8
9			Plate, Width Adjustment	1	4
10			Bracket, Width Adjustment	1	4
11			Arm Bracket Assembly - Left	1	1
2	L	1110438-NLA	NLA - kit, Strap with Hardware - Small	1	1
1	B,G,M	1109564-NLA	NLA - Kit, Back Hardware - Medium	1	1
2			Pull Strap Assembly, Medium	1	1
3			Rivnut (#10-32)	1	2
4			NLA - Screw, Socket Button Head (#10-32 x 3/8")	1	2
5			NLA - Screw, Shoulder Slotted Head (3/8 x 5/16", 5/16-18)	1	4
6			NLA - Washer, Nylon (3/8 x 3/4 x 3/16")	1	8
7			Arm Bracket Assembly - Right	1	1
8			NLA - Screw, Socket Head (1/4-20 x 5/8")	1	8
9			Plate, Width Adjustment	1	4
10			Bracket, Width Adjustment	1	4
11			Arm Bracket Assembly - Left	1	1
2	L	1109565-NLA	NLA - Kit, Strap with Hardware - Medium	1	1
1	B,G,M	1110439-NLA	NLA - Kit, Back Hardware - Large	1	1
2			Pull Strap Assembly, Large	1	1
3			Rivnut (#10-32)	1	2
4			NLA - Screw, Socket Button Head (#10-32 x 3/8")	1	2
5			NLA - Screw, Shoulder Slotted Head (3/8 x 5/16", 5/16-18)	1	4
6			NLA - Washer, Nylon (3/8 x 3/4 x 3/16")	1	8
7			Arm Bracket Assembly - Right	1	1
8			NLA - Screw, Socket Head (1/4-20 x 5/8")	1	8
9			Plate, Width Adjustment	1	4
10			Bracket, Width Adjustment	1	4
11			Arm Bracket Assembly - Left	1	1
2	L	1110440-NLA	NLA - Kit, Strap with Hardware - Large	1	1
12	B,H	1109566-NLA	NLA - Kits, Lateral Support Pads - Upper, Reg. or Tall (Mild Contour)	1	1
13			Cushion, Upper Lateral Support - Mild Contour	1	2
14			Bracket, Upper Lateral Support, Black - Mild Contour	1	2

# Infinity Back Hardware and Accessories - After 12/15/01

## Including UniBack 10, DualFlex 10, and DualFlex Short

Item Number	Note	Part Number	Description	Quantity Per	
				Package	Assembly
15			Bracket, Upper Plate	1	2
16			NLA - Screw, Socket Head (1/4-28 x 5/8")	1	4
12	B,H	1109567-NLA	NLA - Kits, Lateral Support Pads - Upper, Reg. or Tall (Max Contour)	1	1
13			Cushion, Upper Lateral Support - Maximum Contour	1	2
14			Bracket, Upper Lateral Support, Black - Maximum Contour	1	2
15			Bracket, Upper Plate	1	2
16			NLA - Screw, Socket Head (1/4-28 x 5/8")	1	4
12	A,H	1110933	Kit, Lateral Support Pads - Upper, Short (Mild Contour)	1	1
13			Cushion, Lower Lateral Support - Mild Contour	1	2
14			Bracket, Lower Lateral Support, Black - Mild Contour	1	2
15			Bracket, Upper Plate	1	2
16			NLA - Screw, Socket Head (1/4-28 x 5/8")	1	4
12	A,H	1110934	Kit, Lateral Support Pads - Upper, Short (Maximum Contour)	1	1
13			Cushion, Lower Lateral Support - Maximum Contour	1	2
14			Bracket, Lower Lateral Support, Black - Maximum Contour	1	2
15			Bracket, Upper Plate	1	2
16			NLA - Screw, Socket Head (1/4-28 x 5/8")	1	4
17	B,I	1109568-NLA	NLA - Kit, Pelvic Stabilizer Pads - Lower (Mild Contour)	1	1
18			Cushion, Lower Lateral Support - Mild Contour	1	2
19			Bracket, Lower Lateral Support, Black - Mild Contour	1	2
20			Bracket, Lower Plate, Black	1	2
21			NLA - Screw, Socket Head (1/4-28 x 5/8")	1	4
17	B,I	1109569-NLA	NLA - Kit, Pelvic Stabilizer Pads - Lower (Max Contour)	1	1
18			Cushion, Lower Lateral Support - Maximum Contour	1	2
19			Bracket, Lower Lateral Support, Black - Maximum Contour	1	2
20			Bracket, Lower Plate, Black	1	2
21			NLA - Screw, Socket Head (1/4-28 x 5/8")	1	4
22	J	1109570-NLA	NLA - Kit, Cane Clamps	1	1
23			Cane Clamp Assembly - Right	1	1
24			Cane Clamp Assembly - Left	1	1
25	K	1109936-NLA	NLA - Kit, DualFlex Hinge	1	1
26			NLA - Screw, Socket Head (#10-32 x 3/4")	1	4
27			Hinge Assembly	1	1
28			Spacer, Rubber Block	1	2
29			Spacer, Steel (13/64 x 9/32 x 5/16")	1	4

## Infinity Back Hardware and Accessories - After 12/15/01 Including UniBack 10, DualFlex 10, and DualFlex Short

Item Number	Note	Part Number	Description	Quantity Per	
				Package	Assembly
30			Locknut (#10-32)	1	4
			Key, Hex (1/8")	1	1
			Wrench, Allen (3/16")	1	1
31	B,F	1109581-NLA	NLA - Kit, Back Hardware	1	1
32			NLA - Screw, Socket Head (1/4-28 x 5/8")	1	8
33			Bracket, Upper Plate	1	2
34			Bracket, Lower Plate, Black	1	2
35			NLA - Screw, Socket Head (1/4-20 x 5/8")	1	8
36			Plate, Width Adjustment	1	4
37			Wrench, Allen (3/16")	1	1
38			Screw, Socket Head (#10-32 x 5/8")	1	8
39			Spacer, Rubber Block	1	4
40			Spacer, Steel (13/64 x 9/32 x 5/16")	1	8
			Key, Hex (1/8")	1	1
41	D,P	1084665	Kit, Headrest Adaptor (Whitmyer)	1	1
42			NLA - Adapter, Headrest (Whitmyer)	1	1
43			NLA - Clamp, Universal Headrest	1	1
			NLA - Instruction Sheet, Infinity Headrest Clamp	1	1
42		1084667-NLA	NLA - Adapter, Headrest (Whitmyer)	1	1
43		1084412-NLA	NLA - Screw, Socket Head (#10-32 x 1/2")	1	4
44	P	1084666	Kit, Headrest Clamp	1	1
			NLA - Instruction Sheet, Infinity Headrest Clamp	1	1
			NLA - Clamp, Universal Headrest	1	1
45	E,N,O	1077144-NLA	NLA - Kit, Headrest - Small (HR01S)	1	1
46			Kit, Headrest Clamp, Lever Style	1	1
			NLA - Pad, Adjustable Headrest - Small (9" W x 3-1/2" H)	1	1
			Bracket Assembly, Headrest Offset, Black	1	1
			NLA - Instruction Sheet, Infinity Headrest	1	1
45	E,N,O	1077145-NLA	NLA - Kit, Headrest - Large (HR02S)	1	1
46			Kit, Headrest Clamp, Lever Style	1	1
			NLA - Pad, Adjustable Headrest, Two-Step - Large (11" W x 6" H)	1	1
			Bracket Assembly, Headrest Offset, Black	1	1
			NLA - Instruction Sheet, Infinity Headrest	1	1
45	E,N,O	1077146	Kit, Headrest - 2-Step (HR03S)	1	1
46			Kit, Headrest Clamp, Lever Style	1	1
			NLA - Headrest, Two-Step (8-1/2" W x 5-1/2" H)	1	1
			Bracket Assembly, Headrest Offset, Black	1	1
			NLA - Instruction Sheet, Infinity Headrest	1	1
45	E,N,O	1077147	Kit, Headrest - Curved (HR04S)	1	1
46			Kit, Headrest Clamp, Lever Style	1	1
			Headrest, Curved (6" W x 7" H)	1	1

## Infinity Back Hardware and Accessories - After 12/15/01 Including UniBack 10, DualFlex 10, and DualFlex Short

Item Number	Note	Part Number	Description	Quantity Per	
				Package	Assembly
47	N	1072439-NLA	Bracket Assembly, Headrest Offset, Black	1	1
			NLA - Instruction Sheet, Infinity Headrest	1	1
			NLA - Knob, Adjustment, Black (3/4" L Threads)	1	1
48		See Chart	Item #48 - Back Cushion Assembly (After 12/15/01)	1	1
49	C	1109571-NLA	NLA - Kit, Plates with Screws	1	1

NOTE: A - Used on DualFlex Upper Short.  
 B - Used on both UniBack and DualFlex Regular or Tall.  
 C - Used on UniBack.  
 D - Includes: Items 42, 43 and Instruction Sheet.  
 E - DualFlex backs require an additional Headrest Clamp, Item #44.  
 F - Includes: Items 32-40, 1/8" Hex Key, Bag and Carton ~ which contain enough parts to connect both Upper and Lower Laterals, both the right and left sides.  
 G - Includes: Items 2-11, Bag and Carton  
 H - Includes: Items 13-16, 1" Hook Fastener, Bag and Carton.  
 I - Includes: Items 18-21, 1" Hook Fastener, Bag and Carton.  
 J - Includes: Items 23, 24 and Carton.  
 K - Includes: Items 26-30, 3/16" Allen Wrench, 1/8" Hex Key, Bag and Carton.  
 L - Includes: Items 2-4  
 M - Only one side of items 5, 6, 8, 9, & 10 are shown in the Exploded state for drawing clarity.  
 N - Item 47 Adjustment Knob was replaced with an Adjustment Lever in Headrest Clamp Kit part # 0273100. The Lever is not available as a separate part. The knob Part # 1072439 is sold separately and is interchangeable with the Lever.  
 O - Part number 1079306 Instruction Sheet is no longer available from the Invacare Service Parts Department. Refer to the Invacare Website under "Product Literature Search". Enter the part number in the "Keywords" field and download a free PDF version copy.  
 P - Part Number 1084380 is no longer available from the Invacare Service Parts Department. Refer to the Invacare Website under "Product Literature Search". Enter the part number in the "Keywords" field and download a free PDF version copy.

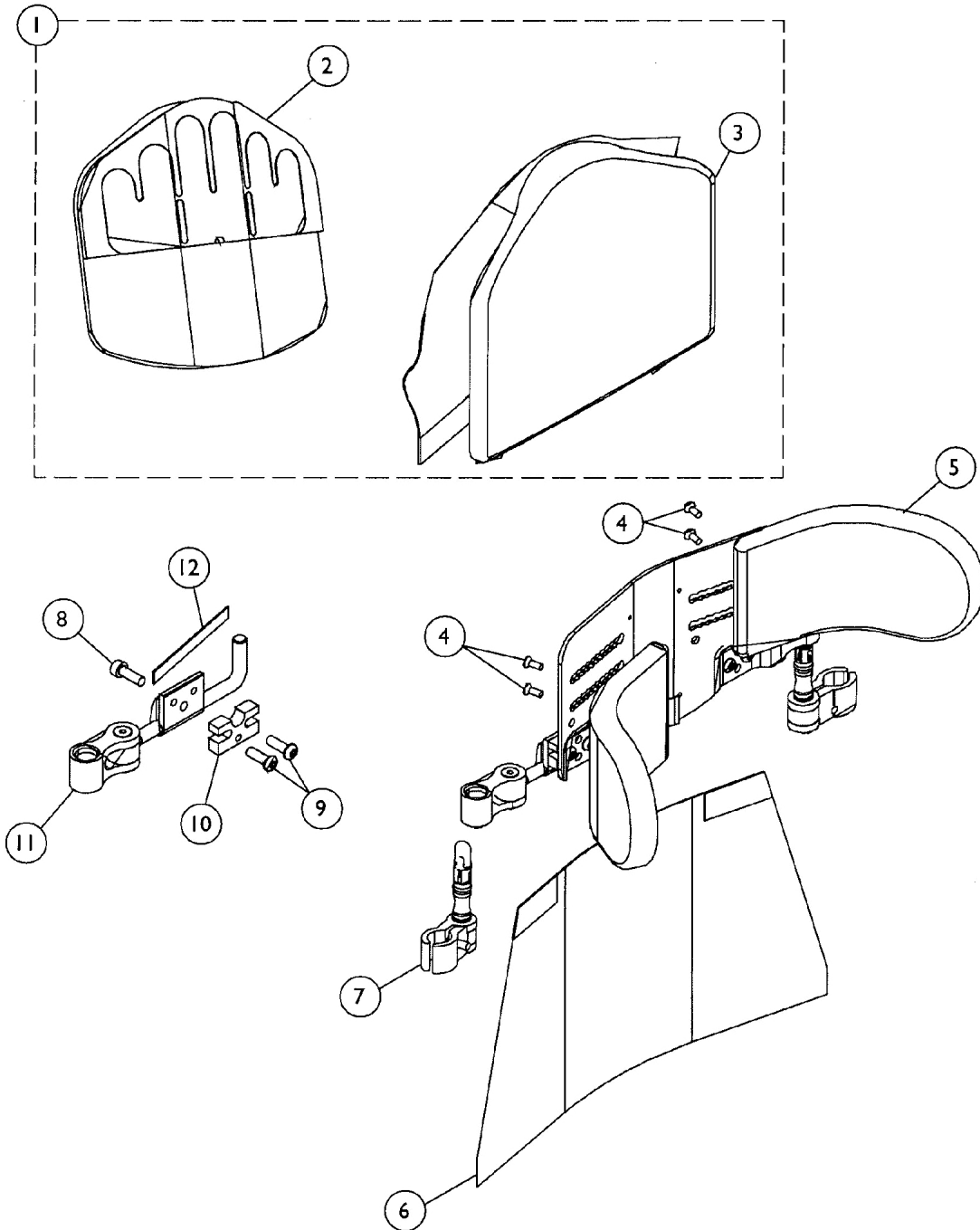
NOTE: To Mount a Back to a Chair, Items #1 (Back Hardware Kit), #22 (Cane Clamp Kit), and #31 (Back Mounting Hardware Kit) will need to be Ordered. NOTE: Individual components of the service parts KITS are non-serviceable except item #47 part number 1072439 Adjustment Knob.

### Item #48 - Back Cushion Assembly (After 12/15/01)

	Short (14" High)	Regular (16" High)	Tall (19" High)
DualFlex - Small (14-16" Wide)	1109572-NLA	1109573-NLA	1109574-NLA
DualFlex - Medium (17-19" Wide)	1109575-NLA	1109576-NLA	1109577-NLA
DualFlex - Large (20-22" Wide)	1109578-NLA	1109579-NLA	1109580-NLA
UniBack - Small (14-16" Wide)	N/A	1109602-NLA	1109603-NLA
UniBack - Medium (17-19" Wide)	N/A	1109604-NLA	1109605-NLA
UniBack - Large (20-22" Wide)	N/A	1109606-NLA	1109607-NLA

NOTE: Back Cushion Assembly includes the foam and cover.

# Infinity LoBac Hardware and Accessories



## Infinity LoBac Hardware and Accessories

Item Number	Note	Part Number	Description	Quantity Per	
				Package	Assembly
1	A	1095171-NLA	NLA - Cushion Assembly - Small	1	1
1	A	1095172-NLA	NLA - Cushion Assembly - Medium	1	1
1	A	1095173-NLA	NLA - Cushion Assembly - Large	1	1
2		1095165-NLA	NLA - Cushion - Small	1	1
2		1095166-NLA	NLA - Cushion - Medium	1	1
2		1095167-NLA	NLA - Cushion - Large	1	1
3		1095141-NLA	NLA - Cushion Cover Assembly - Small	1	1
3		1095150-NLA	NLA - Cushion Cover Assembly - Medium	1	1
3		1095151-NLA	NLA - Cushion Cover Assembly - Large	1	1
4		1084411-NLA	NLA - Screw, Socket Flat Head (#10-32 x 1/2")	1	4
5		1095511-NLA	NLA - Support, Lateral - Mild	1	2
5		1095512-NLA	NLA - Support, Lateral - Max	1	2
6		1095143-NLA	NLA - Flap, Lower Assembly - Small	1	1
6		1095144-NLA	NLA - Flap, Lower Assembly - Medium	1	1
6		1095145-NLA	NLA - Flap, Lower Assembly - Large	1	1
7	B	1092433-NLA	NLA - Cane Clamp Locking Assembly	1	2
8		1077793-NLA	NLA - Screw, Socket Head (1/4-20 x 3/4")	1	2
9		0052906-NLA	NLA - Screw, Socket Button Head (1/4-20 x 3/4")	1	4
10		1087558-NLA	NLA - Spacer, Clamp, Black	1	2
11		1095521-NLA	NLA - Adjustable Bracket Assembly, Black - Right	1	1
11		1095522-NLA	NLA - Adjustable Bracket Assembly, Black - Left	1	1
12		1096951-NLA	NLA - Decal, Indexing	1	2

NOTE: A - Includes items 2 and 3  
 B - Assembly Includes: 1 Lock, 1 Inner Clamp, 1 Outer Clamp, 2 Screws and 1 Spring Clip



# Infinity Outer Cushion Covers

## Infinity Outer Cushion Covers - ViscoFoam & FloGel

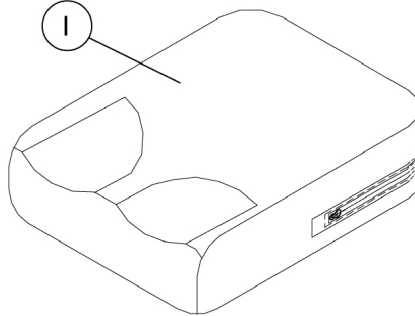
Model	ViscoFoam & FloGel	Notes:
Low Contour Outer Cover	LCC / (Size)	For LCC Outer Covers, order Model ALC and reference special quote C - 120409070205 for details and pricing modification.
Gentle Contour Outer Cover	GCC / (Size)	For GCC Outer Covers, order Model AGC and reference special quote C - 120409070205 for details and pricing modification.
Max Contour Outer Cover	MCC / (Size)	For MCC Outer Covers, order Model AMC and reference special quote C - 120409070205 for details and pricing modification.

## Infinity Outer Cushion Covers - Airflo

Model	AirFlo	Notes:
Low Contour Outer Cover	ALC / (Size)	Replacement AirFlo Outer Cushion Covers are found as Equipment on the Price (Perscription) Forms.
Gentle Contour Outer Cover	AGC / (Size)	Replacement AirFlo Outer Cushion Covers are found as Equipment on the Price (Perscription) Forms.
Max Contour Outer Cover	AMC / (Size)	Replacement AirFlo Outer Cushion Covers are found as Equipment on the Price (Perscription) Forms.

# Infinity Inner Cushion Covers

Use Quote #SM-090707111815 when ordering odd size Infinity Inner Cushion Covers.

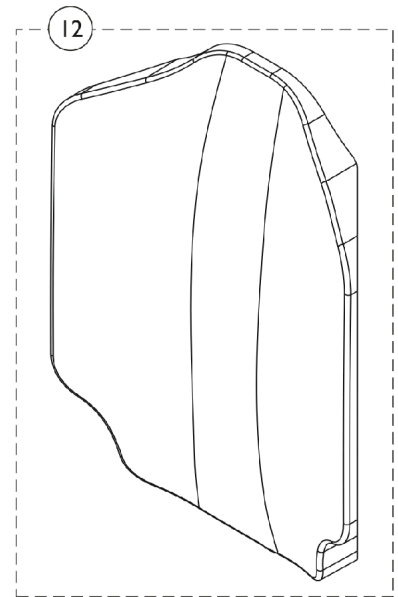
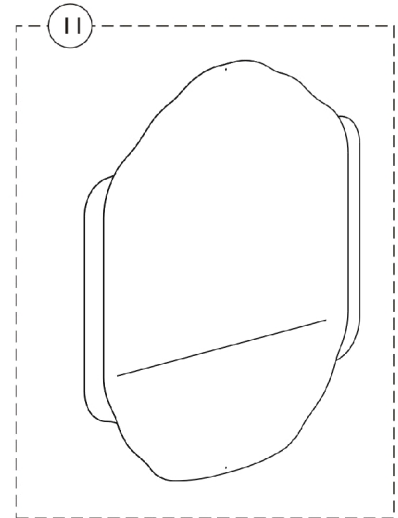
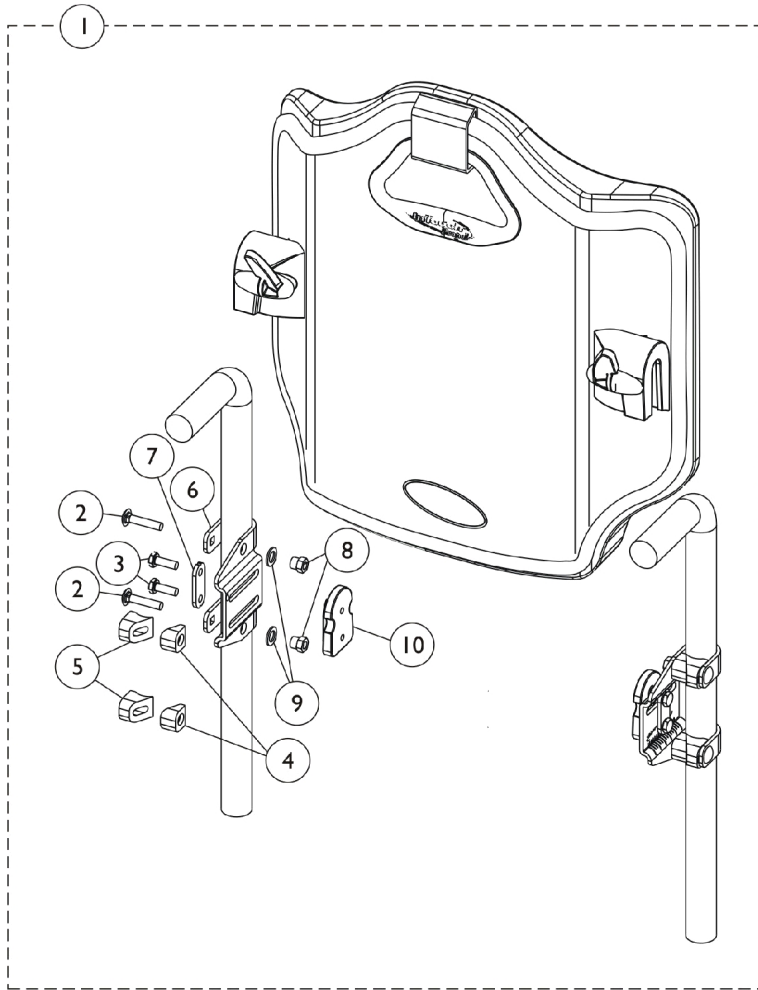


## #1 - Inner Cushion Covers

Dimensions	LC Lo Contour	GC Gentle Contour	MC Max Contour
14" x 16"	1081937-NLA	1082093-NLA	1082248-NLA
14" x 18"	1081939-NLA	1082095-NLA	1082250-NLA
16" x 16"	1081951-NLA	1082107-NLA	1082262-NLA
16" x 18"	1081953-NLA	1082109-NLA	1082264-NLA
16" x 20"	1081955-NLA	1082111-NLA	1082266-NLA
18" x 16"	1081969-NLA	1082125-NLA	1082280-NLA
18" x 18"	1081971-NLA	1082127-NLA	1082282-NLA
18" x 20"	1081973-NLA	1082129-NLA	1082284-NLA
20" x 16"	1081987-NLA	1082143-NLA	1082298-NLA
20" x 18"	1081989-NLA	1082145-NLA	1082300-NLA
20" x 20"	1081991-NLA	1082147-NLA	1082302-NLA
22" x 18"	1082003-NLA	1082159-NLA	1082314-NLA
22" x 20"	1082005-NLA	1082161-NLA	1082316-NLA

Note: 1. All Dimensions are Width x Depth.  
 2. Quantity One per Package.

# InTouch Propel Back



# InTouch Propel Back

Item Number	Note	Part Number	Description	Quantity Per	
				Package	Assembly
1	A	1145048	Hardware, Propel Back, InTouch	1	1
2			Bolt, Carriage (1/4-20 x 1-1/4")	1	4
3			NLA - Bolt, Hex Head Cap (1/4-20 x 3/4")	1	4
4			Grip, Tube	1	4
5			Grip, Tube Slide	1	4
6			Bracket, Cane	1	1
7			Washer	1	1
8			Nut (1/4-20")	1	4
9			Washer, Plain (1/4 x 9/16 x 1/16")	1	2
10			Slide, T	1	2
			NLA - Wrench, Open End (3/8 - 7/16")	1	1
			Carton	1	4
11		See Chart	#11 Outer Cover	1	1
12		See Chart	#12 Back Foam	1	1

NOTE: A - Includes items 2-10, wrench and carton.

## #11 Outer Cover

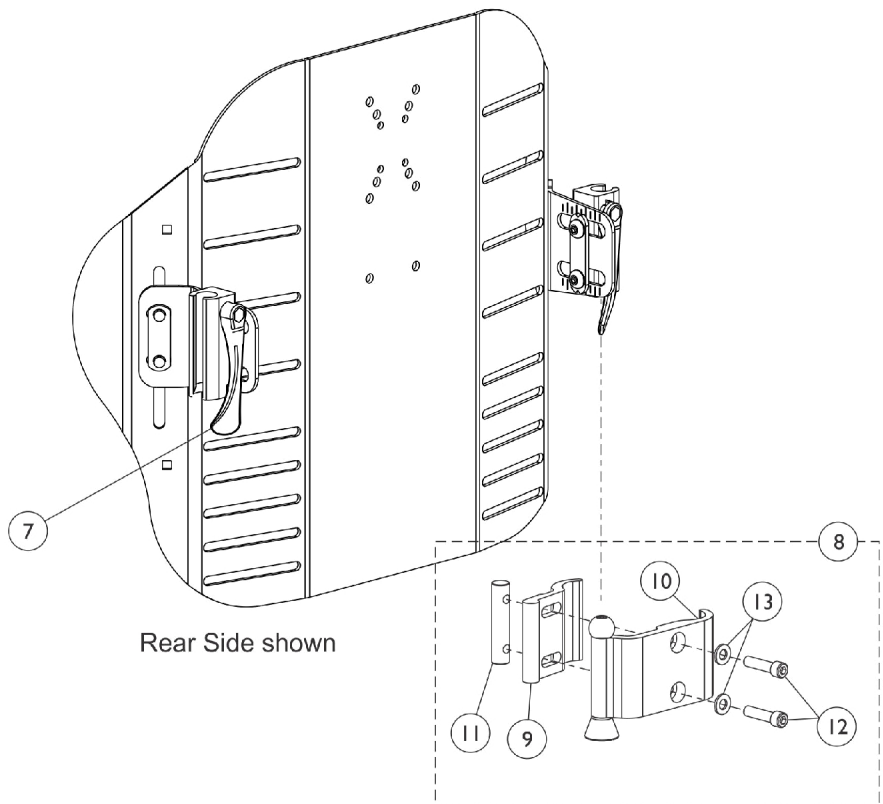
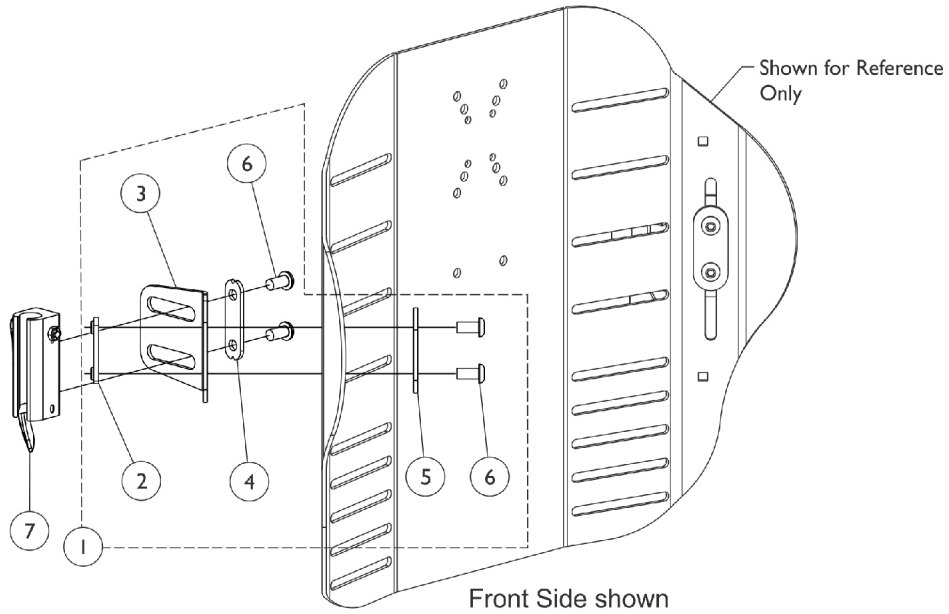
Width	Part Number
16"-17" Wide	1136439
18"-19" Wide	1136440
20"-21" Wide	1136441

## #12 Back Foam

Width	Part Number
16 - 17" Wide	1136434
18 - 19" Wide	1136435
20 - 21" Wide	1136436

# Matrx PCS Back Mounting Hardware and Cane Clamp Hardware (14"-19" W)

(Matrx Brand name replaced InTouch as of 6/30/2011)



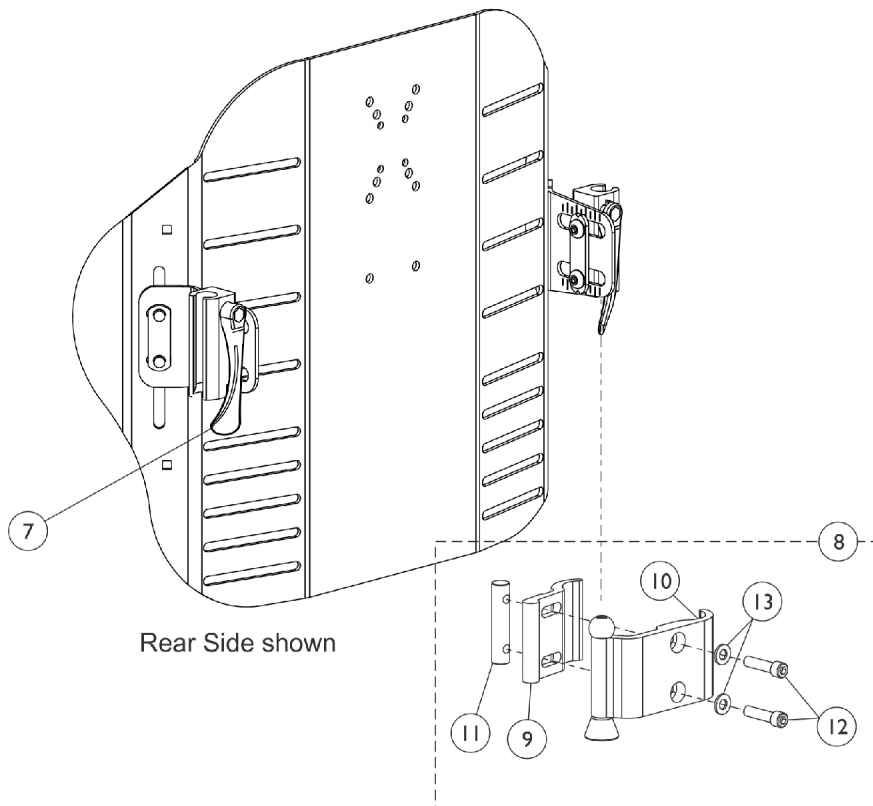
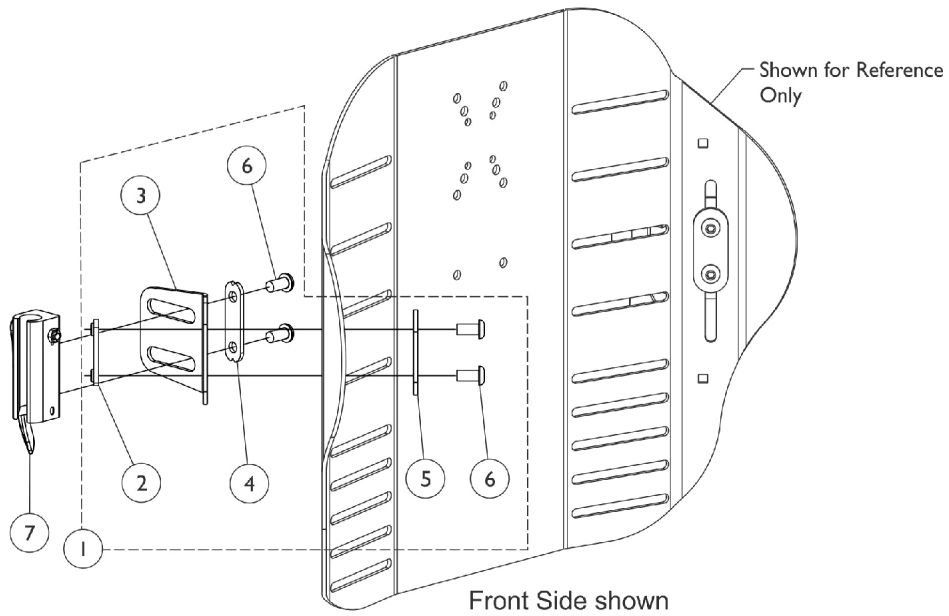
# Matrx PCS Back Mounting Hardware and Cane Clamp Hardware (14"-19" W) (Matrx Brand name replaced InTouch as of 6/30/2011)

Item Number	Note	Part Number	Description	Quantity Per	
				Package	Assembly
1	A	1166010	Kit, Back Shell Mounting Hardware (14" - 19" W)	1	1
2			Nut, Weld (5/16-18 x 1-3/8" Spacing)	1	2
3			Bracket, Angle, Adjustable (14-19" W)	1	2
4			Plate, Washer	1	2
5			Plate, Washer	1	2
6			Screw, Socket, Button Head (5/16-18 x 5/8")	1	8
7	B	1163282	Kit, PCS Back Sleeve - Right	1	1
			Lever, Adjustment, PCS Back - Right	1	1
			Pin, Lever	1	1
			Pin, Roll (3/32" x 5/8")	1	1
			NLA - Locknut (#10-24)	1	1
7	B	1163283	Kit, PCS Back Sleeve - Left	1	1
			Lever, Adjustment, PCS Back - Left	1	1
			Pin, Lever	1	1
			Pin, Roll (3/32" x 5/8")	1	1
			NLA - Locknut (#10-24)	1	1
8	C	1162034	Kit, Clamp, Cane - Right	1	1
9			Outer Cane Clamp Assembly - Right	1	1
10			Clamp, Cane, Inside	1	1
11			Bar, Threaded Nut (1/4-20 x 2")	1	1
12			Screw, Allen Head (1/4-20 x 1")	1	2
13		Washer (1/4 x 1/2 x 1/16")	1	2	
8	C	1162035	Kit, Cane Clamp - Left	1	1
9			Outer Cane Clamp Assembly - Left	1	1
10			Clamp, Cane, Inside	1	1
11			Bar, Threaded Nut (1/4-20 x 2")	1	1
12			Screw, Allen Head (1/4-20 x 1")	1	2
13		Washer (1/4 x 1/2 x 1/16")	1	2	

NOTE: A - Includes items 2-6. For use on tall and regular sizes.  
B - Item #7 PCS Back Sleeve Kit attaches to item #8 Cane Clamp Kit.  
C - Includes items 9-13.

# Matrix PCS Back Mounting Hardware and Cane Clamp Hardware (20"-24" W)

(Matrix Brand name replaced InTouch as of 6/30/2011)



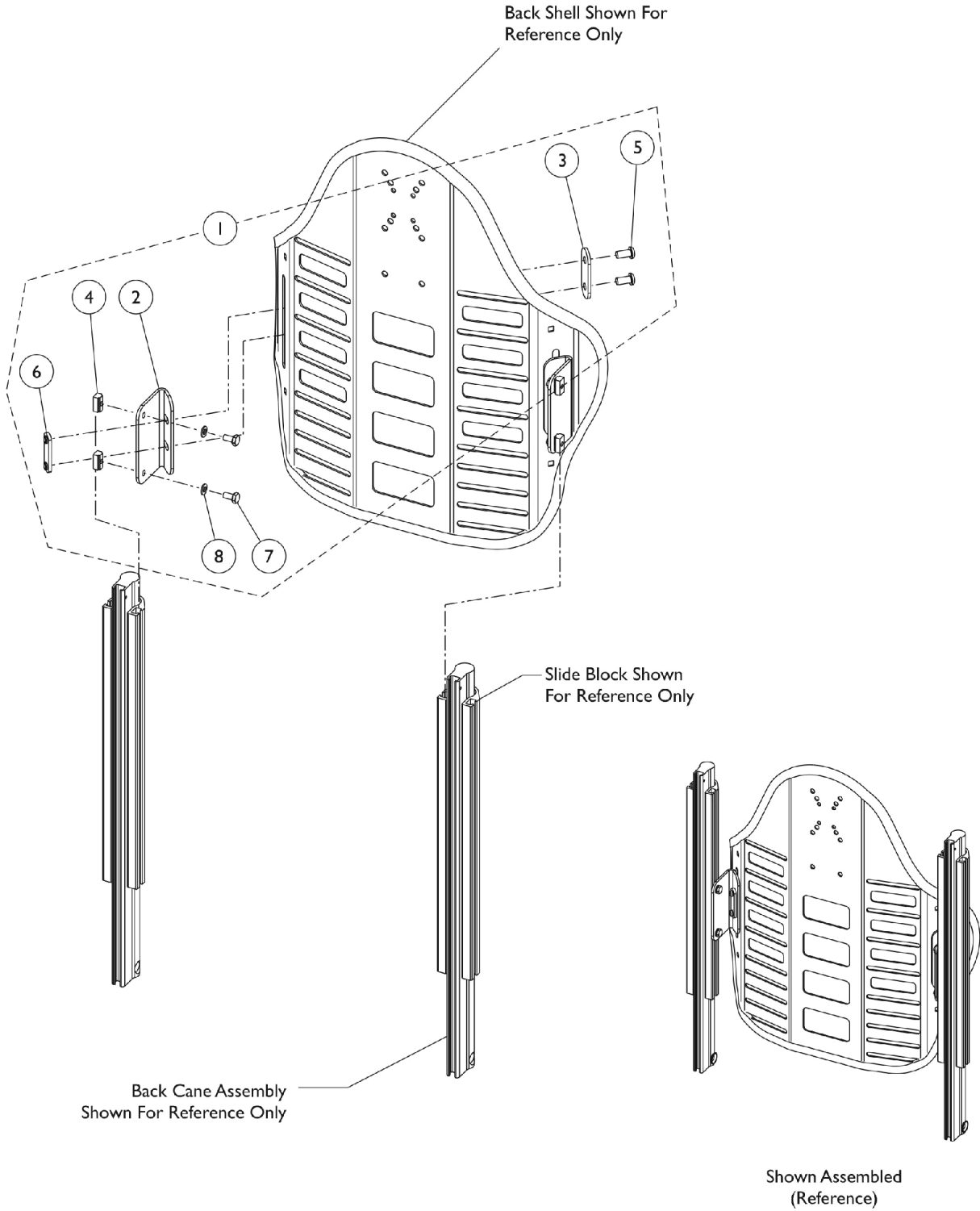
# Matrx PCS Back Mounting Hardware and Cane Clamp Hardware (20"-24" W) (Matrx Brand name replaced InTouch as of 6/30/2011)

Item Number	Note	Part Number	Description	Quantity Per	
				Package	Assembly
1	A	1166011	Kit, Back Shell Mounting Hardware (20" - 24" W)	1	1
2			Nut, Weld (5/16-18 x 1-3/8" Spacing)	1	2
3			Bracket, Angle, Adjustable (20-24" W)	1	2
4			Plate, Washer	1	2
5			Plate, Washer	1	2
6			Screw, Socket, Button Head (5/16-18 x 5/8")	1	8
7	B	1163282	Kit, PCS Back Sleeve - Right	1	1
			Lever, Adjustment, PCS Back - Right	1	1
			Pin, Lever	1	1
			Pin, Roll (3/32" x 5/8")	1	1
			NLA - Locknut (#10-24)	1	1
			Sleeve, Pin	1	1
7	B	1163283	Kit, PCS Back Sleeve - Left	1	1
			Lever, Adjustment, PCS Back - Left	1	1
			Pin, Lever	1	1
			Pin, Roll (3/32" x 5/8")	1	1
			NLA - Locknut (#10-24)	1	1
			Sleeve, Pin	1	1
8	C	1162034	Kit, Clamp, Cane - Right	1	1
9			Outer Cane Clamp Assembly - Right	1	1
10			Clamp, Cane, Inside	1	1
11			Bar, Threaded Nut (1/4-20 x 2")	1	1
12			Screw, Allen Head (1/4-20 x 1")	1	2
13			Washer (1/4 x 1/2 x 1/16")	1	2
8	C	1162035	Kit, Cane Clamp - Left	1	1
9			Outer Cane Clamp Assembly - Left	1	1
10			Clamp, Cane, Inside	1	1
11			Bar, Threaded Nut (1/4-20 x 2")	1	1
12			Screw, Allen Head (1/4-20 x 1")	1	2
13			Washer (1/4 x 1/2 x 1/16")	1	2

NOTE: A - Includes items 2-6. For use on regular and tall sizes.  
B - Item #7 PCS Back Sleeve Kit attaches to item #8 Cane Clamp Kit.  
C - Includes items 9-13.



# Matrx PCS Back Mounting Hardware - Tilt & Recline Only (Matrx Brand name replaced InTouch as of 6/30/2011)



## Matrx PCS Back Mounting Hardware - Tilt & Recline Only (Matrx Brand name replaced InTouch as of 6/30/2011)

Item Number	Note	Part Number	Description	Quantity Per	
				Package	Assembly
1	A,B	1164440	Kit, Back Mounting Hardware - Tilt & Recline Only	1	1
2			Bracket, Fixed, Black	1	2
3			Plate, Washer	1	2
4			T-Nut (1/4-20)	1	4
5			Screw, Socket, Button Head (5/16-18 x 5/8")	1	4
6			Nut, Weld (5/16-18 x 1-3/8" Spacing)	1	2
7			NLA - Screw, Hex Head (1/4-20 x 1-1/2")	1	4
8			Washer (1/4 x 1/2 x 1/16")	1	4
NOTE: A - For use on Tilt & Recline only. Not retrofitable with Contoura. B - Includes items 2-8.					

# Matrx PCS Back Upholstery Assemblies

(Matrx Brand name replaced InTouch as of 6/30/2011)

## Regular Back

Width x Heighth	Part Number
14" W x 15" H	1164412
15" W x 15" H	1164413
16" W x 16" H	1164414
17" W x 16" H	1164415
18" W x 16" H	1164416
19" W x 16" H	1164417
20" W x 16" H	1164418
21" W x 16" H	1164419
22" W x 16" H	1164420
23" W x 16" H	1164421
24" W x 16" H	1164422

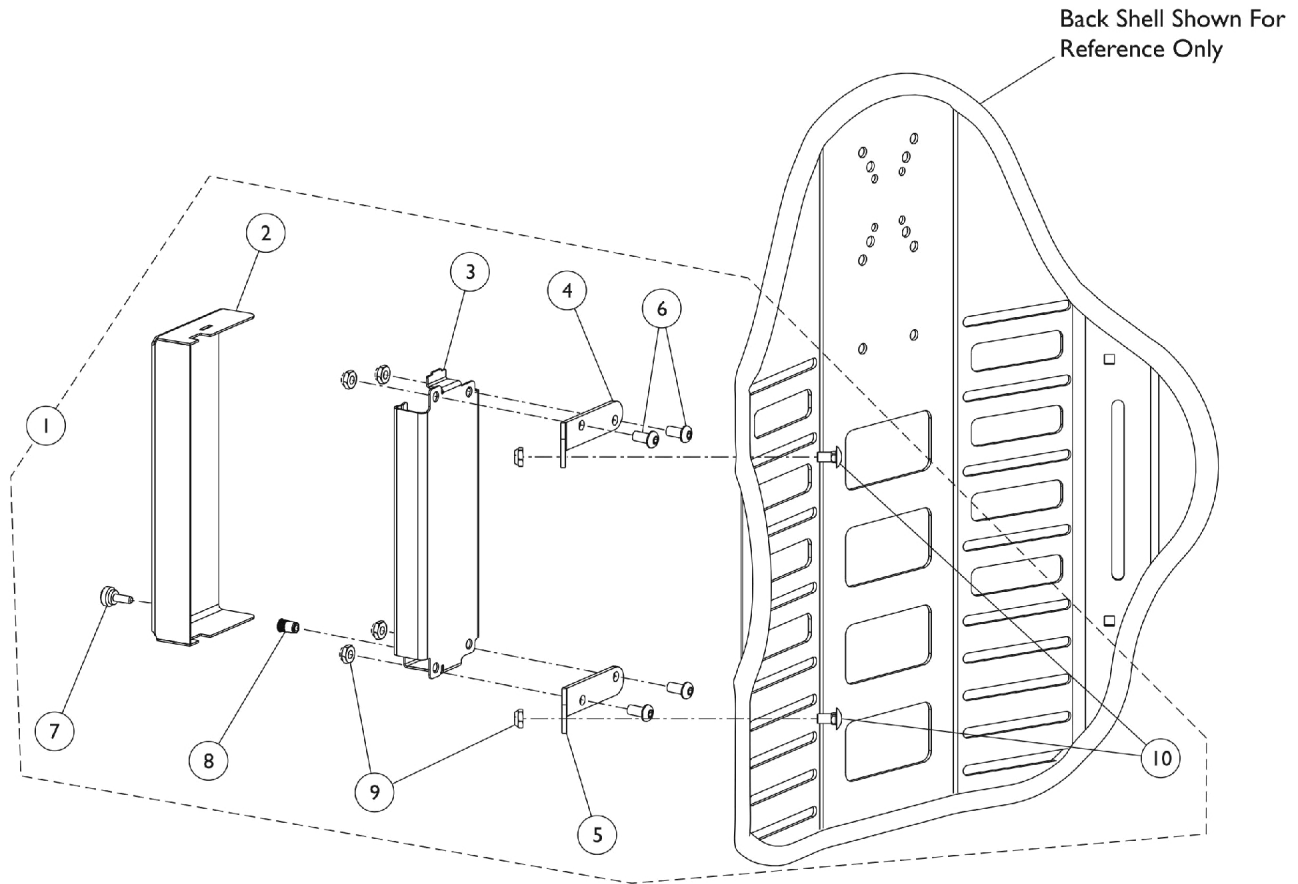
**Matrx PCS Back Upholstery Assemblies**  
**(Matrx Brand name replaced InTouch as of 6/30/2011)**

**Tall Back**

Width x Heighth	Part Number
14" W x 19" H	1164423
15" W x 19" H	1164424
16" W x 20" H	1164425
17" W x 20" H	1164426
18" W x 20" H	1164427
19" W x 20" H	1164428
20" W x 20" H	1164429
21" W x 20" H	1164430
22" W x 20" H	1164431
23" W x 20" H	1164432
24" W x 20" H	1164433

# Matrix PCS Back Wire Tray

(Matrix Brand name replaced InTouch as of 6/30/2011)

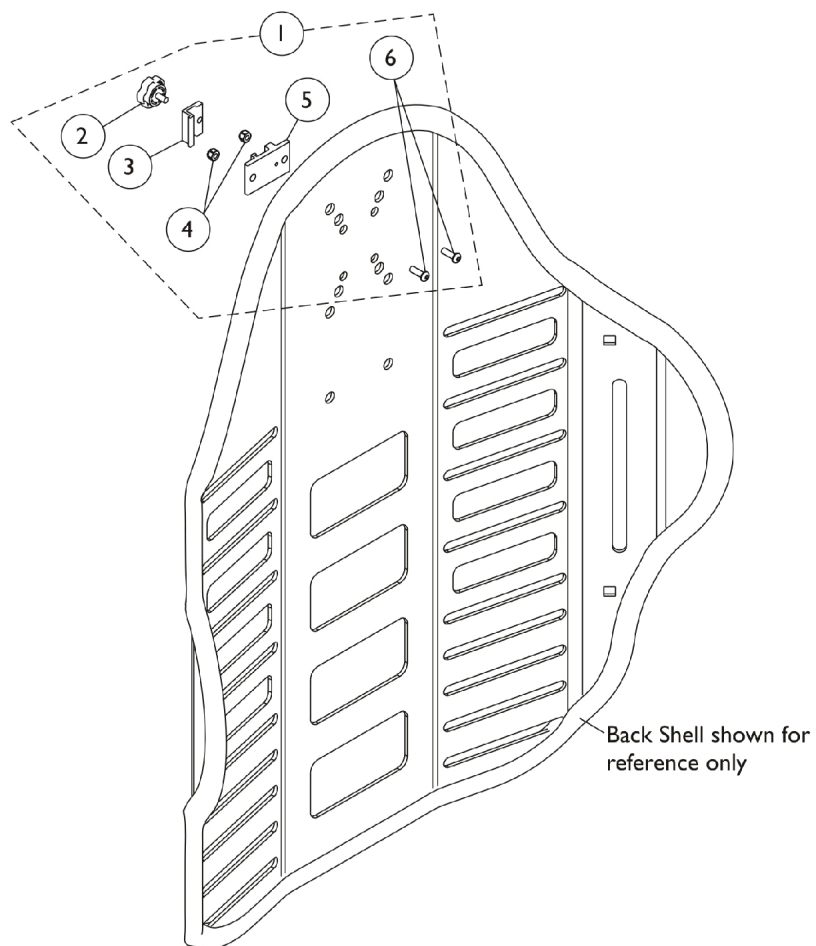


Item Number	Note	Part Number	Description	Quantity Per	
				Package	Assembly
1	A	1164441	Kit, Wire Tray Mounting Hardware	1	1
2			Cover, MK6i Connector Bracket	1	1
3			Bracket, MK6i Connector, Black	1	1
4			Bracket, Wire Tray, Upper	1	1
5			Bracket, Wire Tray, Lower	1	1
6			NLA - Screw, Socket Button Head (1/4-20 x 1/2")	1	4
7			Screw, Thumb (#10-32 x 1/2")	1	1
8			Insert, Threaded (#10-32)	1	1
9			Locknut (1/4-20)	1	6
10			Bolt, Round Head, Square Neck (1/4-20 x 1/2")	1	2
			Carton, Shipper	1	1

NOTE: A - For use with MK6i Electronics only. Carton not shown.

# Matrix PCS Back Headrest Clamp Kit - Lever Style

(Matrix Brand name replaced InTouch as of 6/30/2011)



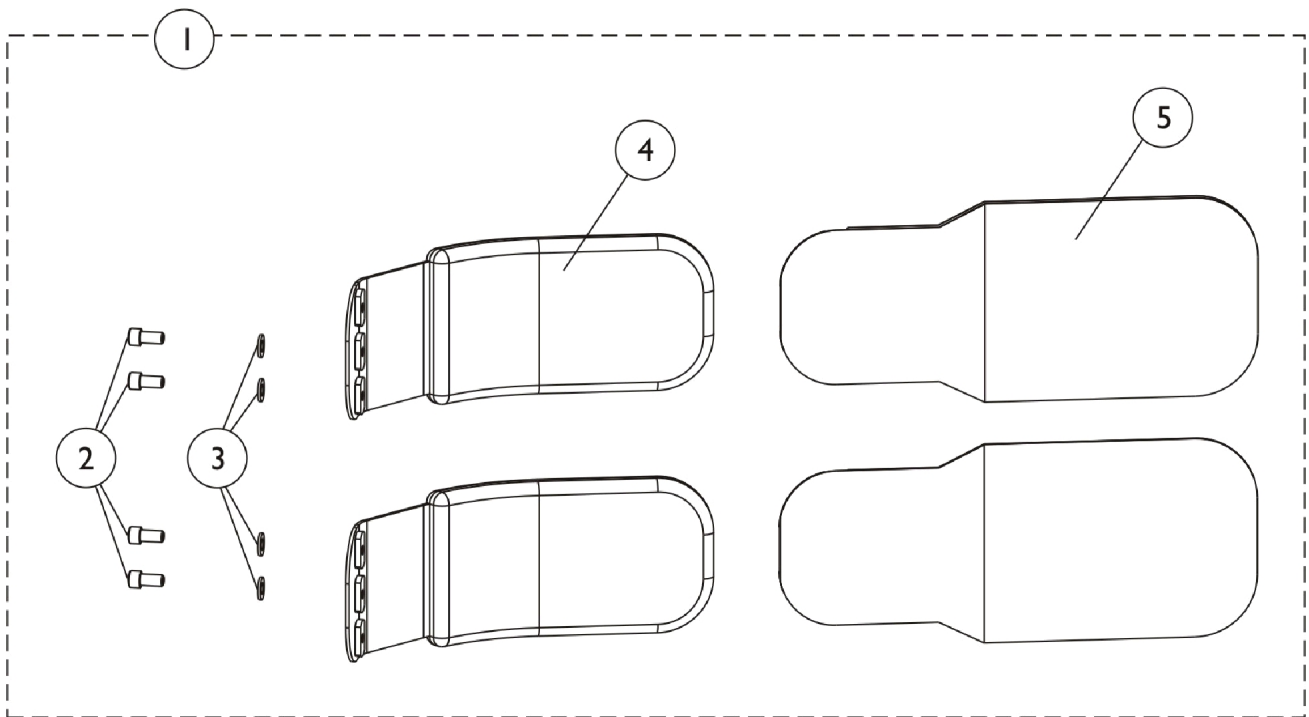
## Matrix PCS Back Headrest Clamp Kit - Lever Style

(Matrix Brand name replaced InTouch as of 6/30/2011)

Item Number	Note	Part Number	Description	Quantity Per	
				Package	Assembly
1	A	1160332	Kit, Headrest Clamp, Knob Style	1	1
2		1072439-NLA	NLA - Knob, Adjustment, Black (3/4" L Threads)	1	1
3	B	0237522-NLA	NLA - Clamp, Small Top Half	1	1
4		1025736	Locknut (1/4-20)	1	2
5	B	0237422-NLA	NLA - Clamp, Small Bottom Half	1	1
6		1009838	Screw, Socket Button (1/4-20 x 3/4")	1	2
NOTE: A - Includes items 2-6. B - Clamp is no longer available individually. See Headrest Clamp Kit item #1.					

# Matrix PCS Lateral Support

(Matrix Brand name replaced InTouch as of 6/30/2011)





## Matrix PCS Lateral Support

(Matrix Brand name replaced InTouch as of 6/30/2011)

Item Number	Note	Part Number	Description	Quantity Per		
				Package	Assembly	
1	A	1164438	Kit, Lateral Support w/ Small Pad (Pair)	1	1	
2			NLA - Screw, Socket Head (1/4-20 x 1/2")	1	4	
3			Washer (1/4 x 1/2 x 1/16")	1	4	
4			Lateral, w/ Foam - Small	1	2	
5			Upholstery Assembly, Lateral w/ Label - Small	1	1	
5			Upholstery Assembly, Lateral - Small	1	1	
1	A	1164439	Kit, Lateral Support w/ Large Pad (Pair)	1	1	
2			NLA - Screw, Socket Head (1/4-20 x 1/2")	1	4	
3			Washer (1/4 x 1/2 x 1/16")	1	4	
4			Lateral, w/ Foam - Large	1	2	
5			Upholstery Assembly, Lateral w/ Label - Large	1	1	
5			Upholstery Assembly, Lateral - Large	1	1	
4			1164820	Lateral, w/ Foam - Large	1	2
4			1164821	Lateral, w/ Foam - Small	1	2
5	B	1165480	Upholstery Assembly, Lateral w/ Label - Small	1	2	
5			1165482	Upholstery Assembly, Lateral w/ Label - Large	1	2

NOTE: A - Includes items 2-5.  
B - Upholstery Assembly w/o a Label is not saleable.

# InTouch TargIT Replacement Covers

## Inner Covers

Cushion Size	Gentle Contour	Max Contour
16 x 16"	1131039-NLA	1131051-NLA
16 x 18"	1131040-NLA	1131052-NLA
18 x 16"	1131041-NLA	1131053-NLA
18 x 18"	1131042-NLA	1131054-NLA
20 x 16"	1131043-NLA	1131055-NLA
20 x 18"	1131044-NLA	1131056-NLA
22 x 16"	1131045-NLA	N/A
22 x 18"	1131046-NLA	N/A
22 x 20"	1131047-NLA	N/A
24 x 16"	1131048-NLA	N/A
24 x 18"	1131049-NLA	N/A
24 x 20"	1131050-NLA	N/A
Builder Sizes	8881131035	8881131036

# InTouch TargIT Replacement Covers

## Outer Covers

Cushion Size	Gentle Contour	Max Contour
16 x 16"	1131057	1131069
16 x 18"	1131058	1131070
18 x 16"	1131059	1131071
18 x 18"	1131060	1131072
20 x 16"	1131061	1131073
20 x 18"	1131062	1131074
22 x 16"	1131063	N/A
22 x 18"	1131064	N/A
22 x 20"	1131065	N/A
24 x 16"	1131066	N/A
24 x 18"	1131067	N/A
24 x 20"	1131068	N/A
Builder Sizes	8881131037-NLA	8881131038

# InTouch Flovair Replacement Outer Covers (Before 11/21/11)

**InTouch Flovair Cushions discontinued (After 11/20/11)**

**NOTE: InTouch Flovair Replacement Outer Covers (Before 11/21/11) will work for Intouch Stabilite Max/Gentle Contour Cushions (Before 11/21/11) as well.**

Size (Width x Depth)	Gentle Contour	Maximum Contour
16" x 16"	1144185-NLA	1144197-NLA
16" x 18"	1144186-NLA	1144198-NLA
18" x 16"	1144187-NLA	1144199-NLA
18" x 18"	1144188-NLA	1144200-NLA
18" x 20"	1153841-NLA	1153843-NLA
20" x 16"	1144189-NLA	1144201-NLA
20" x 18"	1144190-NLA	1144202-NLA
20" x 20"	1153842-NLA	1153844-NLA
22" x 16"	1144191-NLA	N/A
22" x 18"	1144192-NLA	N/A
22" x 20"	1144193-NLA	N/A
24" x 16"	1144194-NLA	N/A
24" x 18"	1144195-NLA	N/A
24" x 20"	1144196-NLA	N/A
Builder or Odd Sizes	8881144203-NLA	8881144204-NLA

# Matrx Flovair Replacement Outer Covers (After 11/20/11)

Matrx Flovair Cushions introduced (After 11/20/11)

Size (Width x Depth)	Gentle Contour	Maximum Contour
16" x 16"	1173657	1173671
16" x 18"	1173658	1173672
16" x 20"	1175008	1175009
18" x 16"	1173659	1173673
18" x 18"	1173660	1173674
18" x 20"	1173661	1173675
20" x 16"	1173662	1173676
20" x 18"	1173663	1173677
20" x 20"	1173664	1173678
22" x 16"	1173665	1173681
22" x 18"	1173666	1173682
22" x 20"	1173667	1173683
22" x 22"	8881173679 See Note(s) B, A	1173684
24" x 16"	1173668	1173685
24" x 18"	1173669	1173686
24" x 20"	1173670	1173687
24" x 22"	8881173679 See Note(s) A, B	1173688
Builder or Odd Sizes	8881173679 See Note(s) B	8881173680 See Note(s) B

NOTE: A - Matrx Flovair Gentle Contour sizes 22" x 22" and 24" x 22" must be ordered as a Builder Size through the Configurator also.  
B - Reference special quote #SM - 090313042351 when ordering.

# InTouch Stabilite Replacement Outer Covers (Before 11/21/11)

InTouch Stabilite Cushions discontinued (After 11/20/11)

Size (Width x Depth)	Gentle Contour	Maximum Contour
16" x 16"	1144205-NLA	1144217-NLA
16" x 18"	1144206-NLA	1144218-NLA
18" x 16"	1144207-NLA	1144219-NLA
18" x 18"	1144208-NLA	1144220-NLA
18" x 20"	1153845-NLA	1153847-NLA
20" x 16"	1144209-NLA	1144221-NLA
20" x 18"	1144210-NLA	1144222-NLA
20" x 20"	1153846	1153848-NLA
22" x 16"	1144211-NLA	N/A
22" x 18"	1144212-NLA	N/A
22" x 20"	1144213-NLA	N/A
24" x 16"	1144214-NLA	N/A
24" x 18"	1144215-NLA	N/A
24" x 20"	1144216-NLA	N/A
Builder or Odd Sizes	1144223-NLA	1144224-NLA

# Matrix Stabilite Replacement Outer Covers (After 11/20/11)

Matrix Stabilite Cushions introduced (After 11/20/11)

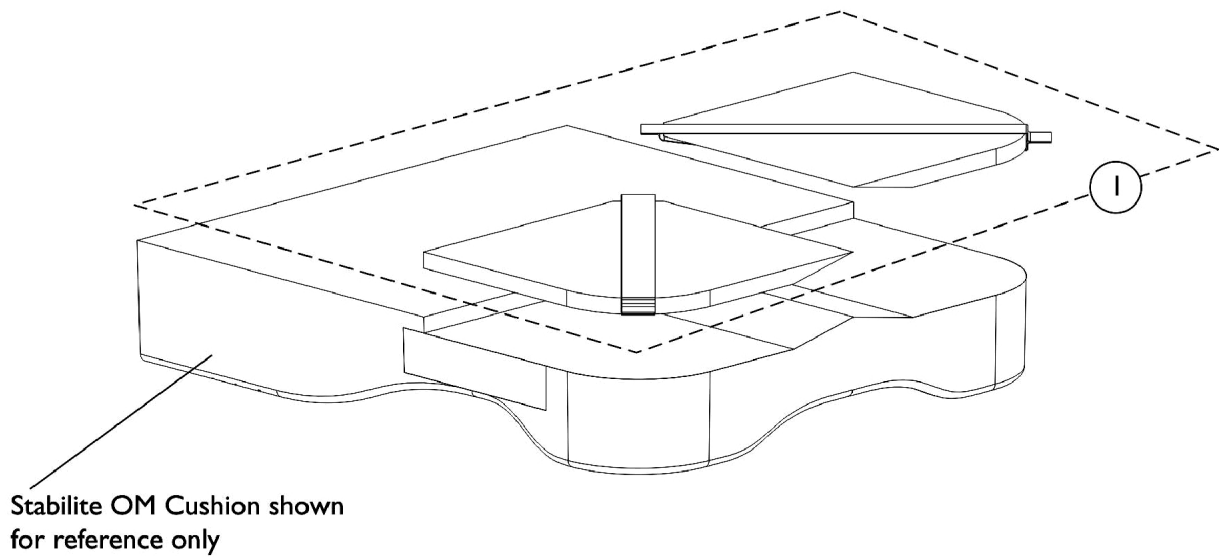
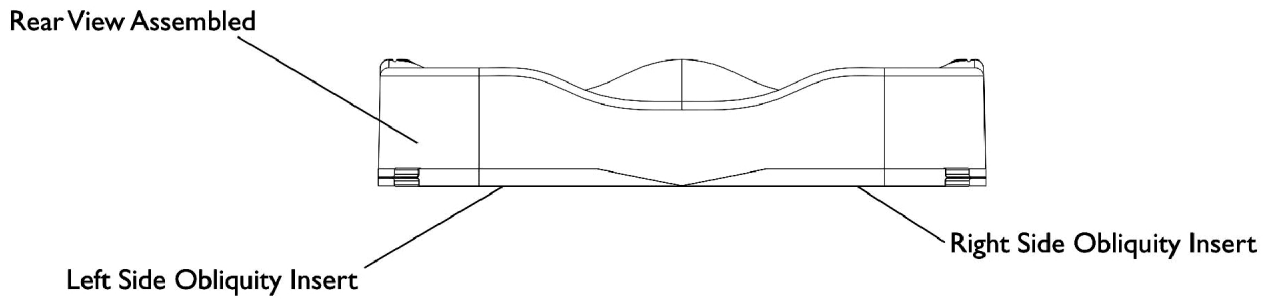
Size (Width x Depth)	Part Number
14" x 14"	1173401
14" x 16"	1173402
14" x 18"	1173403
16" x 16"	1173404-NLA
16" x 18"	1173405
16" x 20"	1173406
18" x 16"	1173407
18" x 18"	1173408-NLA
18" x 20"	1173409
20" x 16"	1173410
20" x 18"	1173411
20" x 20"	1173412
20" x 22"	1173413
22" x 16"	1173414
22" x 18"	1173415-NLA
22" x 20"	1173416
22" x 22"	1173417
24" x 16"	1173418
24" x 18"	1173419
24" x 20"	1173420
24" x 22"	1173421
Builder or Odd Sizes	8881173399

## InTouch Stabilite OM Replacement Outer Covers

Size (Width x Depth)	Stabilite OM Outer Cover
16" x 16"	1160661
16" x 18"	1160662
16" x 20"	1160663
18" x 16"	1160664
18" x 18"	1160665
18" x 20"	1160666
20" x 16"	1160667
20" x 18"	1160668
20" x 20"	1160669
22" x 16"	1160671
22" x 18"	1160672
22" x 20"	1160673
24" x 16"	1160675
24" x 18"	1160676
24" x 20"	1160677
Builder or Odd Sizes	8881160679



# InTouch Stabilite OM Obliquity Inserts



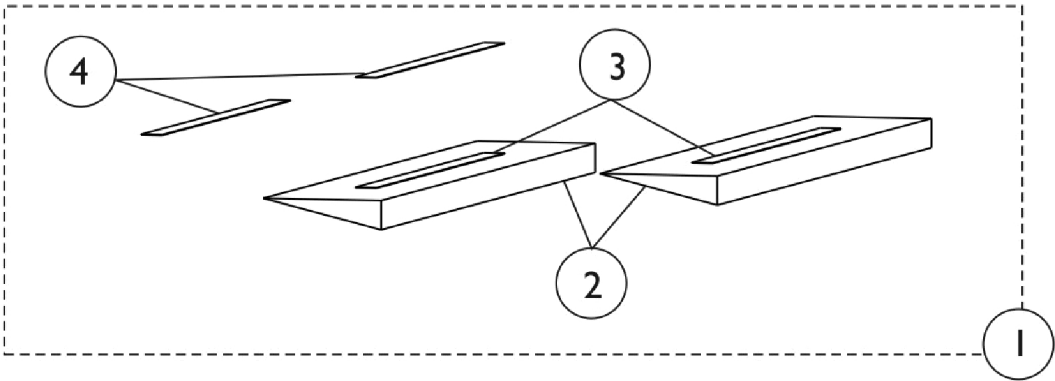
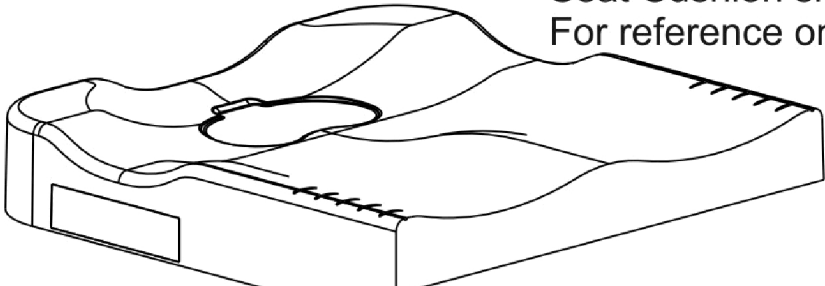
# InTouch Stabilite OM Obliquity Inserts

**NOTE: The right and left side obliquity inserts are only available in pairs.**

Cushion Width	Stabilite OM Obliquity Inserts (Pair Only)
14" Wide	1160917
15" Wide	1160918
16" Wide	1160919
17" Wide	1160920
18" Wide	1160921
19" Wide	1160922
20" Wide	1160923
21" Wide	1160924
22" Wide	1160925
23" Wide	1160926
24" Wide	1160927

# InTouch Stabilite OM Removable Leg Wedge

Seat Cushion shown  
For reference only



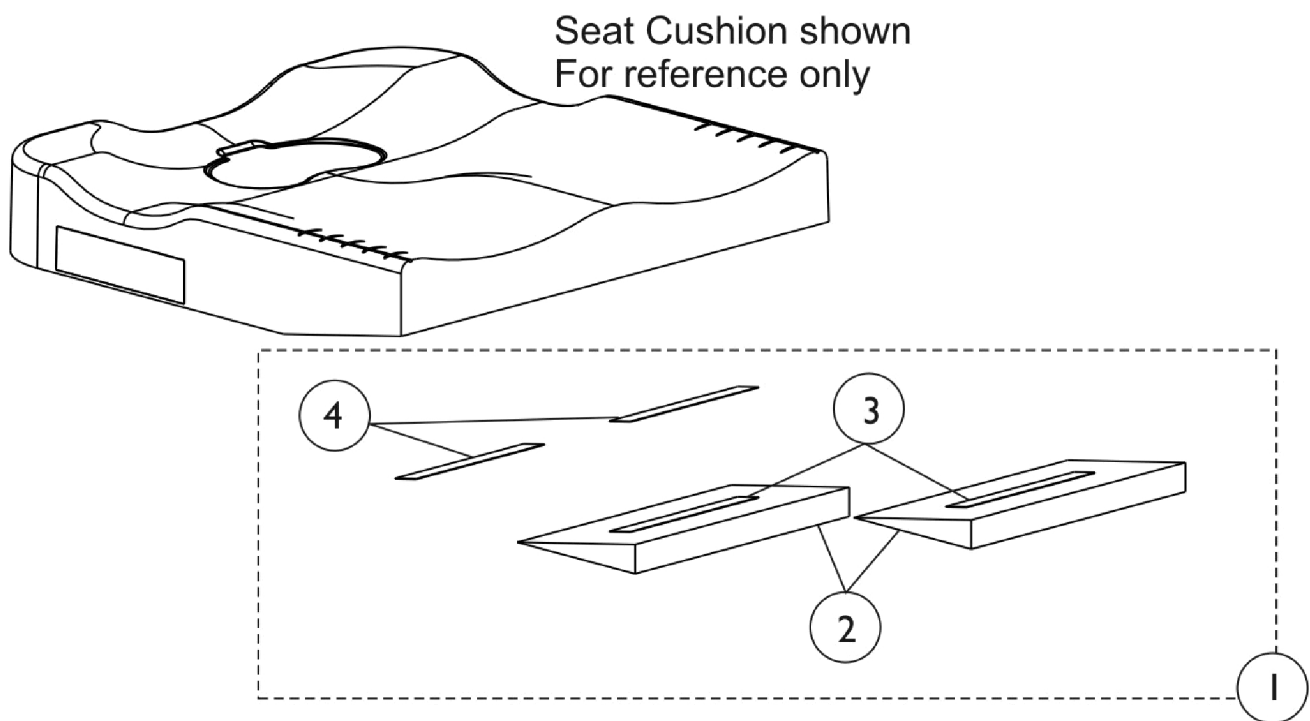
## InTouch Stabilite OM Removable Leg Wedge

Item Number	Note	Part Number	Description	Quantity Per	
				Package	Assembly
1	A	1153420-NLA	NLA - Kit, Wedge, Removable InTouch Stabilite & Flovair	1	1
2			Wedge, Foam	2	1
3			Hook Fastener with Adhesive Back (1" W)	1	1
4			Loop, Adhesive Back (1" W)	1	1
5			Instruction Sheet, RLW Removable Leg Wedge	1	1

**NOTE:** A - Includes: Items 2-5 (Item 5 is not shown). Cushion width is required when ordering item 1 part #1153420.

# Matrix Stabilite & Flovair Removable Leg Wedge

(Matrix Brand name replaced InTouch as of 11/21/2011)



## Matrx Stabilite & Flovair Removable Leg Wedge (Matrx Brand name replaced InTouch as of 11/21/2011)

Item Number	Note	Part Number	Description	Quantity Per	
				Package	Assembly
1	A	1153420-NLA	NLA - Kit, Wedge, Removable InTouch Stabilite & Flovair	1	1
2			Wedge, Foam	2	1
3			Hook Fastener with Adhesive Back (1" W)	1	1
4			Loop, Adhesive Back (1" W)	1	1
5			Instruction Sheet, RLW Removable Leg Wedge	1	1

**NOTE:** A - Includes: Items 2-5 (Item 5 is not shown). Cushion width is required when ordering item 1 part #1153420.

## InTouch Stabilite OM Replacement Inner Covers (Incontinence)

Part Number Quantity One per Package	Part Number Quantity 10 per Package	Description (Width x Depth)
1142584	1145872	Cover, Inner Incontinence (14-19" W x 14-18" D)
1142585	1145873	Cover, Inner Incontinence (15-19" W x 19-20" D)
1144035-NLA	1145874-NLA	Cover, Inner Incontinence (20-24" W x 15-18" D)
1144036	1145875	Cover, Inner Incontinence (20-24" W x 19-22" D)

# Stabilite & Flovair Replacement Inner Covers (Incontinence)

## InTouch Stabilite & Flovair Replacement Inner Covers (Incontinence)

(Before 11/21/2011)

Part Number Quantity One per Package	Part Number Quantity 10 per Package	Description (Width x Depth)
1142584	1145872	Cover, Inner Incontinence (14-19" W x 14-18" D)
1142585	1145873	Cover, Inner Incontinence (15-19" W x 19-20" D)
1144035-NLA	1145874-NLA	Cover, Inner Incontinence (20-24" W x 15-18" D)
1144036	1145875	Cover, Inner Incontinence (20-24" W x 19-22" D)

## Matrix Stabilite & Flovair Replacement Inner Covers (Incontinence)

(After 11/20/2011)

Size (Width x Depth)	Stabilite Quantity One per Package	Flovair Gentle Contour Quantity One per Package	Flovair Maximum Contour Quantity One per Package
14" x 14"	1174488	N/A	N/A
14" x 15-16"	1174489	N/A	N/A
14" x 17-18"	1174490	N/A	N/A
16" x 15-16"	1174491-NLA	1174491-NLA	1174508-NLA
16" x 17-18"	1174492	1174492	1174509-NLA
16" x 19-20"	1174493-NLA	1174493-NLA	1174510-NLA
18" x 15-16"	1174494-NLA	1174494-NLA	1174511-NLA
18" x 17-18"	1174495-NLA	1174495-NLA	1174512-NLA
18" x 19-20"	1174496-NLA	1174496-NLA	1174513-NLA
20" x 15-16"	1174497-NLA	1174497-NLA	1174514-NLA
20" x 17-18"	1174498-NLA	1174498-NLA	1174515-NLA
20" x 19-20"	1174499-NLA	1174499-NLA	1174516-NLA
22" x 16"	1174500-NLA	1174500-NLA	1174517
22" x 17-18"	1174501-NLA	1174501-NLA	1174518
22" x 19-20"	1174502-NLA	1174502-NLA	1174519
22" x 21-22"	1174503-NLA	1174503-NLA	1174520
24" x 16"	1174504	1174504	1174521
24" x 17-18"	1174505	1174505	1174522
24" x 19-20"	1174506	1174506	1174523
24" x 21-22"	1174507	1174507	1174524



# Matrix Stabilite and InTouch Stabilite OM Replacement Air Overlays

(Matrix Brand name replaced InTouch as of 11/21/2011. Brand change excludes Stabilite OM Air Overlays.)

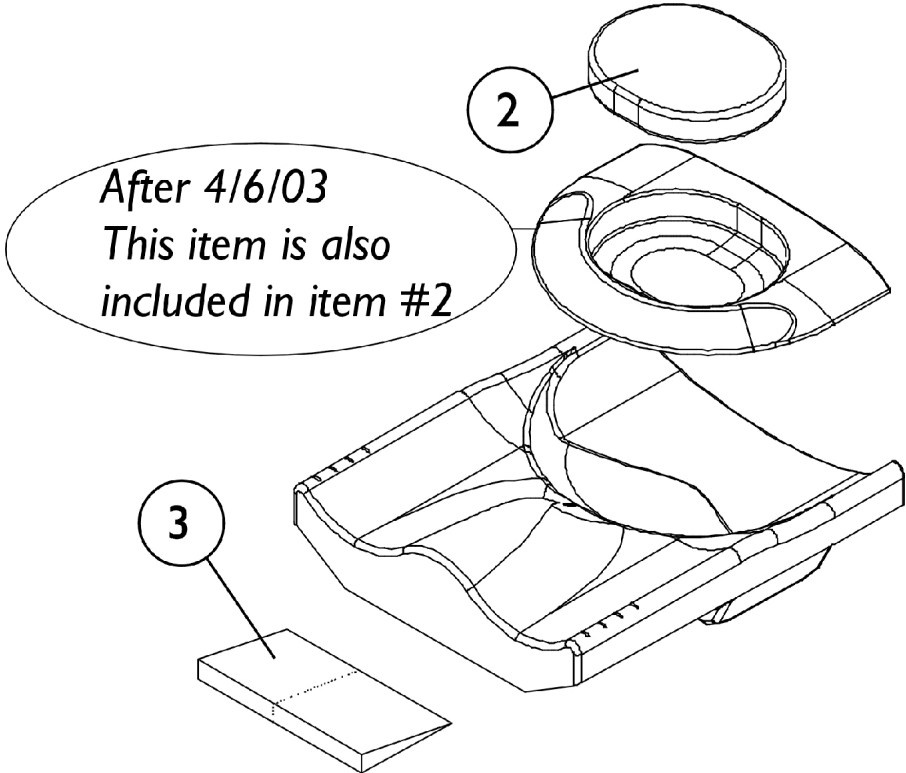
Part Number	Description
1142065-NLA	NLA - Overlay, Air (14-19" W) See Note(s) B, A
1142066-NLA	NLA - Overlay, Air (20-24" W) See Note(s) B

NOTE: A - 14" wide applies to Stabilite OM Cushion only.  
B - Air Overlays are optional on Stabilite OM Cushions and standard on Stabilite Cushions

## Matrix Flovair Replacement Gel/Air Overlays (Matrix Brand name replaced InTouch as of 11/21/2011)

Part Number	Description
1142509	Gel with Air Overlay (15 - 19" W x 15 - 18" D)
1142510	Gel with Air Overlay (15 - 19" W x 19 - 20" D)
1143740	Gel with Air Overlay (20 - 24" W x 15 - 18" D)
1143741	Gel with Air Overlay (20 - 24" W x 19 - 22" D)

# Infinity Leg Wedges, FloGel, and Visco Foam Inserts



### Item #2 Visco Foam Insert

	Before 4/7/03	After 4/6/03
13-14" Wide Cushion	1087377-NLA	1109078-NLA
15-16" Wide Cushion	1087237-NLA	1109079-NLA
17-22" Wide Cushion	1087237-NLA	1109080-NLA

# Infinity Leg Wedges, FloGel, and Visco Foam Inserts

## Item #2 FloGel Insert

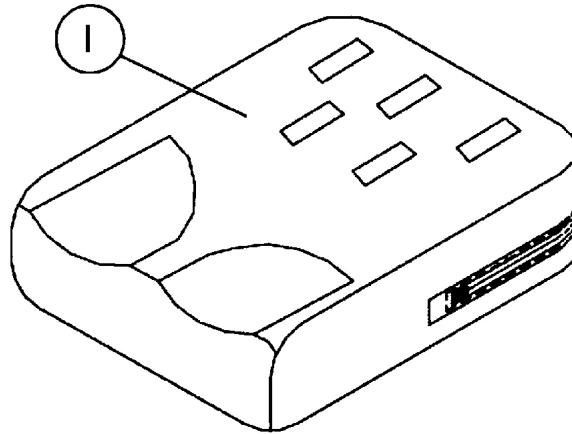
	Before 4/7/03	After 4/6/03
13-14" Wide Cushion	1087389-NLA	1109075-NLA
15-16" Wide Cushion	1081585-NLA	1109076-NLA
17-22" Wide Cushion	1081585-NLA	1109077-NLA

## Item #3 Leg Wedge

Item Number	Note	Part Number	Description	Quantity Per	
				Package	Assembly
2		See Chart	#2 Infinity FloGel Insert	1	1
2		See Chart	#2 Infinity Visco Foam Insert	1	1
3		1084038-NLA	NLA - Wedge, Foam with Hook & Loop Fastener (10" L)	1	2

# Matrix Airflo Inner Covers

(Matrix Brand name replaced Infinity as of 4/19/2011)



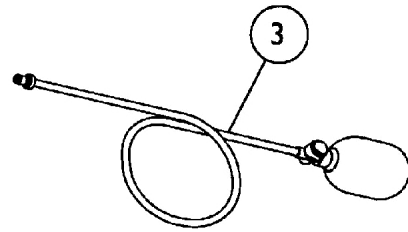
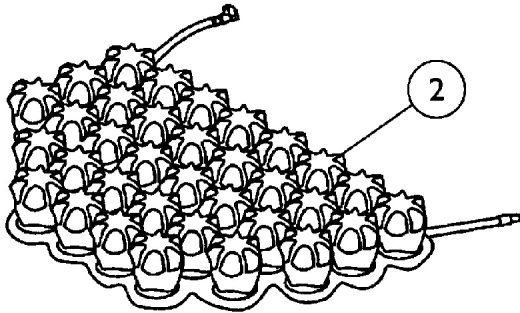
**Item #1**

Dimention	LC Lo Contour	GC Gentle Contour	MC Max Contour
14" W x 16" D	1099075	1099062	1099050
14" W x 18" D	1099076	1099063	1099051
16" W x 16" D	1099077	1099064	1098194-NLA
16" W x 18" D	1099078	1099065	1099052
16" W x 20" D	1099079	1099066	1099053
18" W x 16" D	1099080	1099067	1099054
18" W x 18" D	1099081	1099068	1099055
18" W x 20" D	1099082	1099069	1099056
20" W x 16" D	1099083	1099070	1099057
20" W x 18" D	1099084	1099071	1099058
20" W x 20" D	1099085	1099072	1099059
22" W x 18" D	1099086	1099073	1099060
22" W x 20" D	1099087	1099074	1099061
Odd Sizes See Note(s) A	8881101557-NLA	8881101557-NLA	8881101557-NLA

NOTE: A - Order as a Special Modification. Specify width and depth of cushion.

## Matrix Airflo Inserts and Accessories

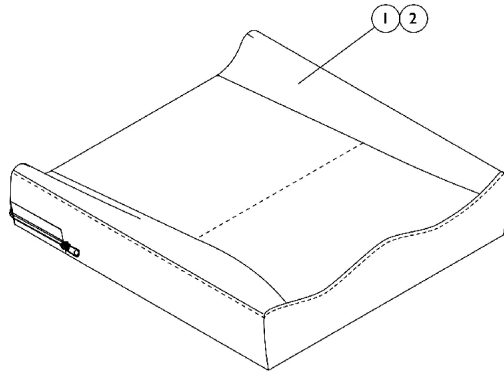
(Matrix Brand name replaced Infinity as of 4/19/2011)



Item Number	Note	Part Number	Description	Quantity Per	
				Package	Assembly
2		1098216	Inserts, AirFlow (14" W)	1	1
2		1098215	Inserts, AirFlow (15 - 16" W)	1	1
2		1098217	Inserts, AirFlow (17 - 18" W)	1	1
2		1098238	Inserts, AirFlow (19 - 20" W)	1	1
2		1098239	Inserts, AirFlow (21 - 22" W)	1	1
3		1098191	Inflation Bulb Assembly	1	1
	A	1098192-NLA	NLA - Kit, Repair with 3 Patches	1	1

NOTE: A - Not Shown

# Contoura Seating Seat Cushion Assembly



## #1 Contoura Seat Cushion Assembly

**NOTE: To order a Mesh Contoura Seat Cushion Assembly, please use quote # SM-100908010838 when placing your order.**

Chair Width	16" Deep	17" Deep	18" Deep	19" Deep	20" Deep	21" Deep	22" Deep
16" Wide	1132982 See Note(s) A	1132983-NLA See Note(s) A	1132984 See Note(s) A	1132985 See Note(s) A	1132986 See Note(s) A	N/A	N/A
18" Wide	1132987 See Note(s) A	1132988-NLA See Note(s) A	1132989 See Note(s) A	1132990 See Note(s) A	1132991 See Note(s) A	N/A	N/A
20" Wide	1132992 See Note(s) A	1132993-NLA See Note(s) A	1132994 See Note(s) A	1132995 See Note(s) A	1132996 See Note(s) A	1132997 See Note(s) A	1132998 See Note(s) A
22" Wide	N/A	N/A	1132999 See Note(s) A	1133000 See Note(s) A	1133001 See Note(s) A	1133002 See Note(s) A	1133003 See Note(s) A
24" Wide	N/A	N/A	1133004-NLA See Note(s) A	1133005-NLA See Note(s) A	1133006-NLA See Note(s) A	1133007-NLA See Note(s) A	1133008-NLA See Note(s) A

NOTE: A - Cushion Foam is not available separately.

# Contoura Seating Seat Cushion Assembly

## #2 Contoura Seat Cushion Cover Before 12/16/10

Chair Width	16" Deep	17" Deep	18" Deep	19" Deep	20" Deep	21" Deep	22" Deep
16" Wide	1132953-NLA	1132954-NLA	1132955-NLA	1132956-NLA	1132957-NLA	N/A	N/A
18" Wide	1132958-NLA	1132959-NLA	1132960-NLA	1132961-NLA	1132962-NLA	N/A	N/A
20" Wide	1132963-NLA	1132964-NLA	1132965-NLA	1132966-NLA	1132967-NLA	1132968-NLA	1132969-NLA
22" Wide	N/A	N/A	1132970-NLA	1132971-NLA	1132972-NLA	1132973-NLA	1132974-NLA
24" Wide	N/A	N/A	1132975-NLA	1132976-NLA	1132977-NLA	1132978-NLA	1132979-NLA

Contoura Seat Cushion Covers listed on this chart are No Longer Available. Refer to the Contoura Seat Cushion Covers dated after 12/15/10 as a direct replacement.



# Contoura Seating Seat Cushion Assembly

## #2 Contoura Seat Cushion Cover After 12/15/10

Chair Width	16" Deep	17" Deep	18" Deep	19" Deep	20" Deep	21" Deep	22" Deep
16" Wide	1167372	1167373-NLA	1167374	1167375	1167376	N/A	N/A
18" Wide	1167377	1167378-NLA	1167379	1167380	1167381	N/A	N/A
20" Wide	1167382	1167383-NLA	1167384	1167385	1167386	1167387	1167388
22" Wide	N/A	N/A	1167389	1167390	1167391	1167392	1167393
24" Wide	N/A	N/A	1167394-NLA	1167395-NLA	1167396	1167397-NLA	1167398-NLA

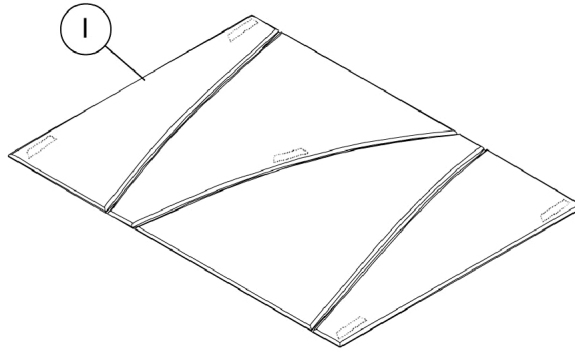
## #2 Contoura Seat Cushion Cover, Mesh (CTBMSH)

Chair Width	16" Deep	17" Deep	18" Deep	19" Deep	20" Deep	21" Deep	22" Deep
16" Wide	1164208	1164209	1164210	1164211	1164212	N/A	N/A
18" Wide	1164213	1164214	1164215	1164216	1164217	N/A	N/A
20" Wide	1164218	1164219	1164220	1164221	1164222	1164223	1164224
22" Wide	N/A	N/A	1164225	1164226	1164227	1164228	1164229
24" Wide	N/A	N/A	1164230	1164231	1164232	1164233	1164234

# Personal Seat Covers

Dimensions	Part Number
14" W x 14" D	1084725-NLA
14" W x 16" D	1084726-NLA
16" W x 16" D	1084727-NLA
16" W x 18" D	1084728-NLA
17" W x 16" D	1060413-NLA
17" W x 18" D	1060414-NLA
18" W x 16" D	1084729-NLA
18" W x 18" D	1084730-NLA
18" W x 20" D	1064423-NLA
19" W x 16" D	1060417-NLA
19" W x 18" D	1060418-NLA
20" W x 16" D	1084731-NLA
20" W x 18" D	1084732-NLA
20" W x 20" D	1077351-NLA

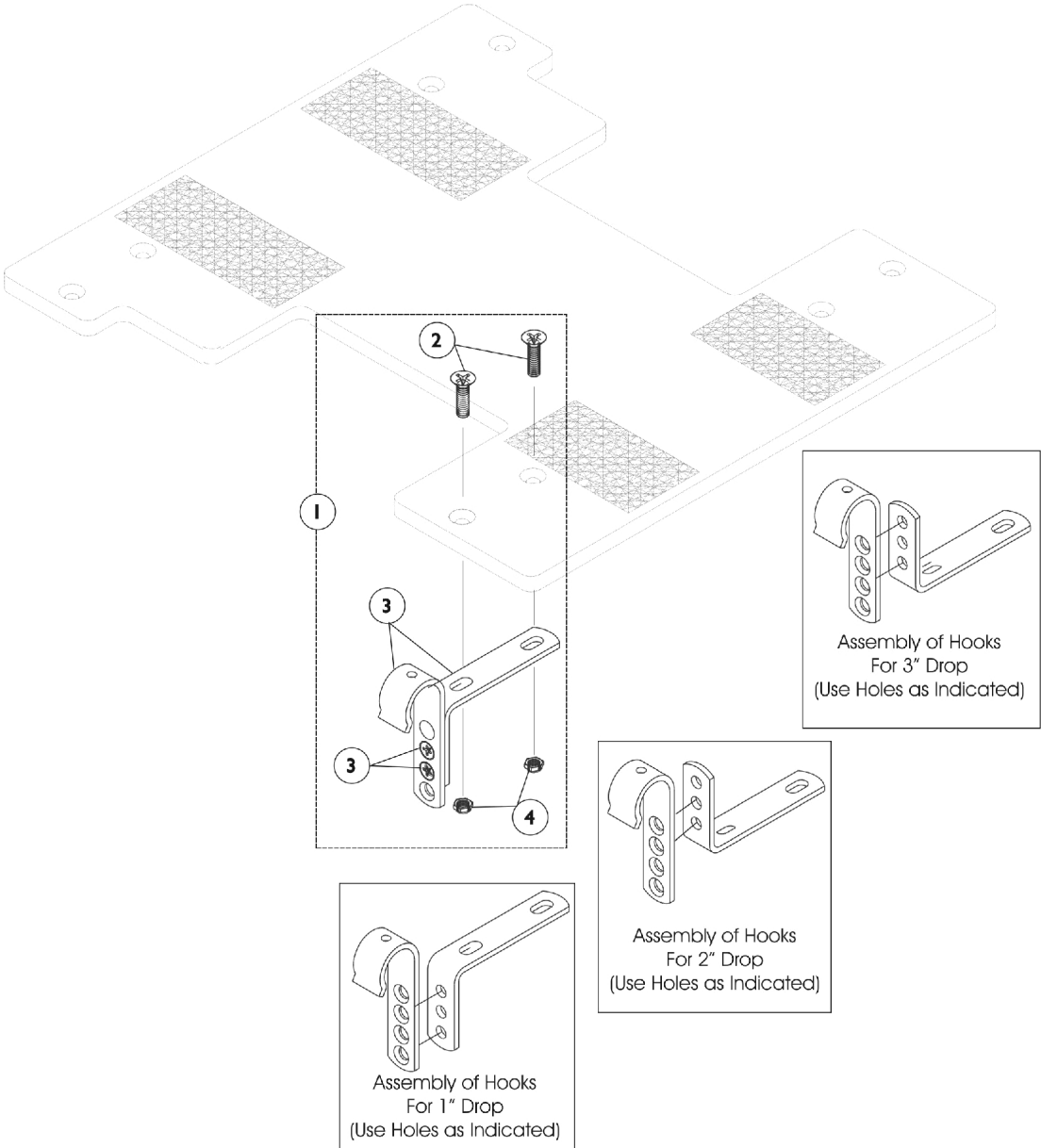
# Personal Seat Fluid Bag



Item Number	Note	Part Number	Description	Quantity Per	
				Package	Assembly
1		1079648-NLA	NLA - Fluid Bag Assembly	1	1

# Drop Base Mounting Hardware

NOTE: Base is Shown for Reference only.



## Drop Base Mounting Hardware

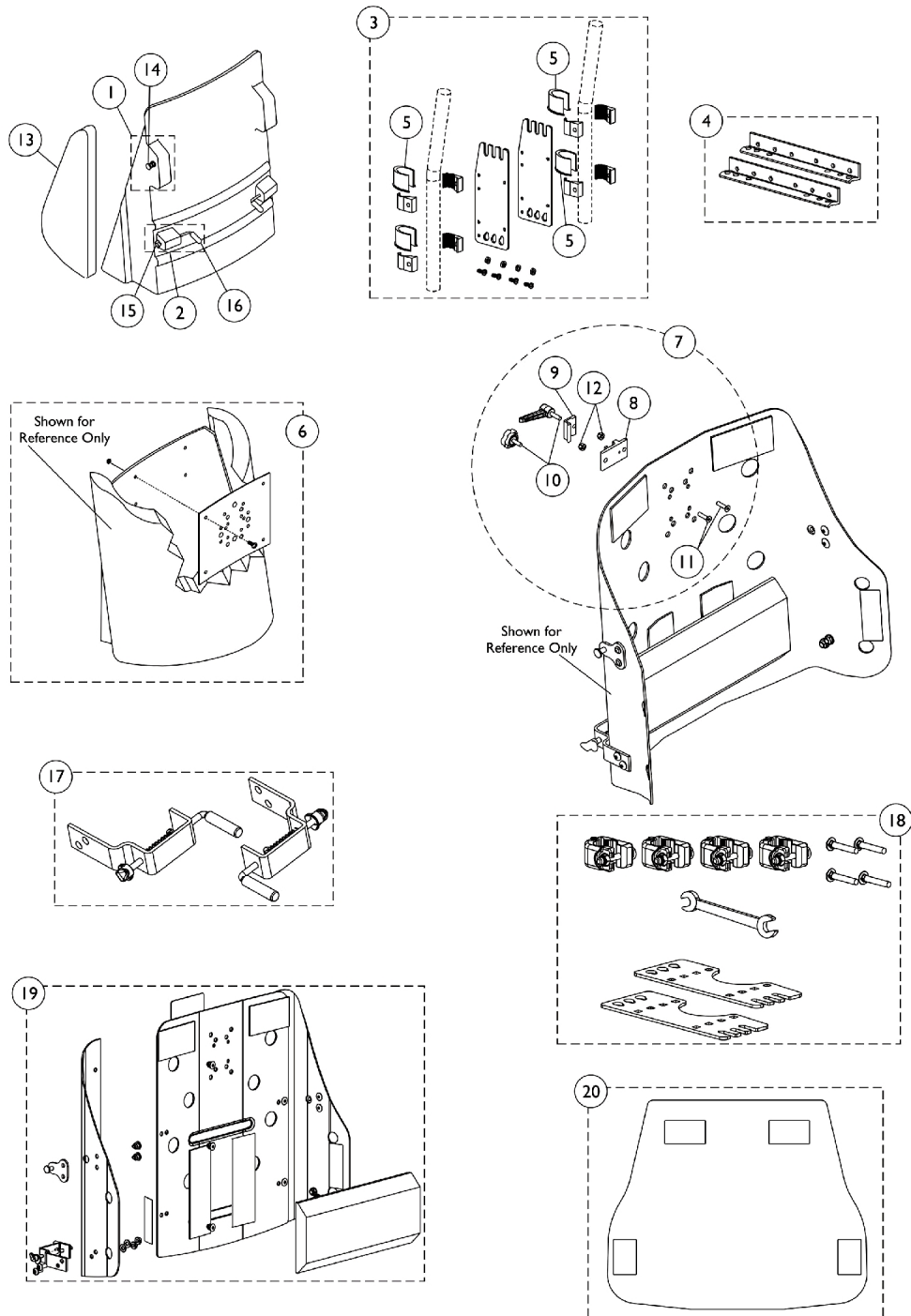
Item Number	Note	Part Number	Description	Quantity Per	
				Package	Assembly
1	B	1044896-NLA	NLA - Kit, Adjustable Mounting Hook (7/8" Tubing)	1	1
2			NLA - Screw, Socket Flat Head (1/4-20 x 7/8")	1	8
3			Clamps, Adjustable Mounting (7/8")	1	4
4			Locknut (1/4-20)	1	8
			NLA - Instruction Sheet	1	1
1	B	1044899-NLA	NLA - Kit, Adjustable Mounting Hook (1" Tubing)	1	1
2			NLA - Screw, Socket Flat Head (1/4-20 x 7/8")	1	8
3			Clamps, Adjustable Mounting (1")	1	4
4			Locknut (1/4-20)	1	8
			NLA - Instruction Sheet	1	1
1		MC054A-NLA	NLA - Kit, Adjustable Mounting Hook (7/8" Tubing)	1	1
	A	1081518-NLA	NLA - Kit, Adjustable Mounting Hook, Heavy Duty (7/8" Tubing)	1	1
	A	1081521-NLA	NLA - Kit, Adjustable Mounting Hook, Heavy Duty (1" Tubing)	1	1
	A	1078054-NLA	NLA - Crossbrace, Heavy Duty (20" W)	1	2

NOTE: A - Not Shown  
 B - Part #1037987 is no longer available from the Invacare Service Parts Department. Refer to the Invacare Website under "Product Literature Search". Enter the part number in the "Keywords" field and download a free PDF version copy.

# Personal Back, Personal Back Plus, Matrix Personal Back10 Reg./Tall, Matrix Personal Back10 Plus Reg./Tall - For Round Canes

(Matrix added to Brand name as of 6/30/2011)

For Matrix PB models, see page titled "Matrix PB Back, Matrix PB Deep Back, Matrix PB HD Back and Matrix PB Deep HD Back".



# Personal Back, Personal Back Plus, Matrix Personal Back10 Reg./Tall, Matrix Personal Back10 Plus Reg./Tall - For Round Canes

(Matrix added to Brand name as of 6/30/2011)

For Matrix PB models, see page titled "Matrix PB Back, Matrix PB Deep Back, Matrix PB HD Back and Matrix PB Deep HD Back".

Item Number	Note	Part Number	Description	Quantity Per	
				Package	Assembly
1		MB-50	Kit, Top Mounting Hardware	1	1
2	B	MB-54	Kit, Bottom Mounting L-Pin Assembly	1	1
3	B	MB12A-NLA	NLA - Kit, Personal Back Hardware	1	1
4		1045697-NLA	NLA - Kit, Angle Brackets with Hardware	1	1
5		1088055-NLA	NLA - Package, Inserts, Clamp, Black (7/8" Tubing)	4	1
6		1049522-NLA	NLA - Kit, Headrest Reinforcement (Includes: (4) Locknuts (#10-32), (4) Screws (#10-32 x 1/2"), (1) Headrest Plate - Black, and Instruction Sheet)	1	1
7	E	0273100	Kit, Headrest Clamp, Lever Style	1	1
8	F	0237422-NLA	NLA - Clamp, Small Bottom Half	1	1
9	F	0237522-NLA	NLA - Clamp, Small Top Half	1	1
10		1072439-NLA	NLA - Knob, Adjustment, Black (3/4" L Threads)	1	1
11		0288706-NLA	NLA - Screw, Socket, Flat Head (1/4-20 x 1")	1	2
12		1025736	Locknut (1/4-20)	1	2
13	J,K	1045690-NLA	NLA - Lateral Pad Assembly - Large/Right (5-41/64 W x 15-21/32" L)	1	1
13	J,K	1045691-NLA	NLA - Lateral Pad Assembly - Large/Left (5-41/64 W x 15-21/32" L)	1	1
13	I	1045833-NLA	NLA - Pad, Lateral Assembly - Small, Right (4-1/4 W x 10-3/8" L)	1	1
13	I	1045834-NLA	NLA - Pad, Lateral Assembly - Small, Left (4-1/4 W x 10-3/8" L)	1	1
14		1045677-NLA	NLA - T-Nut, Capped	1	2
15		1045667	Cap, End, Nylon, Black	1	2
16		1045669-NLA	NLA - Tip, Foam, Black	1	2
17	C	1118404-NLA	NLA - Kit, L-Pin, Bottom Mounting Assembly (Pair) (Includes: a pair of L-Pin Brackets, Poly Bag, and Carton.)	1	1
17	D	1125366	Kit, L-Pin, Bottom Mounting Assembly (13 - 26" W) (Pair)	1	1
18		1116448	Kit, Personal Back10 Hardware (13-20" Widths)	1	1
18		1124469	Kit, Personal Back10 Hardware (22-26" Widths)	1	1
19		See Chart	Item #19 - Panel Assembly (Shell)	1	1
20		See Chart	Item #20 Foam, Personal Back10 and Personal Back10 Plus	1	1
	A,G	1045692	Support, Lumbar - Medium	1	1
	A,H	1084410-NLA	NLA - Support, Lumbar - Large	1	1

# Personal Back, Personal Back Plus, Matrix Personal Back10 Reg./Tall, Matrix Personal Back10 Plus Reg./Tall - For Round Canes

(Matrix added to Brand name as of 6/30/2011)

For Matrix PB models, see page titled "Matrix PB Back, Matrix PB Deep Back, Matrix PB HD Back and Matrix PB Deep HD Back".

Item Number	Note	Part Number	Description	Quantity Per	
				Package	Assembly
	A,L	1060985-NLA	NLA - Instruction Sheet, Personal Back Mounting Hardware	1	1
	A	See Chart	Outer Cover, Personal Back and Personal Back Plus	1	1
	A	See Chart	Outer Cover, Personal Back10 and Personal Back10 Plus	1	1

NOTE: A - Not Shown  
 B - Manufactured before 2/8/03.  
 C - Manufactured between 2/10/03 and 8/17/03.  
 D - Manufactured after 8/18/03.  
 E - Includes items 8-12. Item 10 Adjustment Knob was replaced with an Adjustment Lever. The Lever is not available as a separate part. The Knob part #1072439 is still sold separately and is interchangeable with the lever.  
 F - Clamp is no longer available individually. See Headrest Clamp Kit item #7.  
 G - Used for 13", 14" and 15" wide back models.  
 H - Used for 16", 17", 18", 19" and 20" wide back models.  
 I - Small Laterals are no longer available for any of the Personal Back models listed on this page.  
 J - Large Lateral Pad assemblies shown are for the Personal Back 10 and the Personal Back 10 Plus but can be used on the Personal Back and the Personal Back Plus.  
 K - See the Matrix Seating Series for Laterals that fit newer model Matrix Posture Back.  
 L - Item is no longer available from the Invacare Service Parts Department. Refer to the Invacare Website under "Product Literature Search". Enter the part number in the "Keywords" field and download a free PDF version copy.

### Item #19 - Panel (Shell) Assembly

Size	Regular, Regular	Regular, Plus	Tall, Regular	Tall, Plus
13"	1115880-NLA	1115888-NLA	1115896-NLA	1115904-NLA
14"	1115881-NLA	1115889-NLA	1115897-NLA	1115905-NLA
15"	1115882-NLA	1115890-NLA	1115898-NLA	1115906-NLA
16"	1115883-NLA	1115891-NLA	1115899-NLA	1115907-NLA
17"	1115884-NLA	1115892-NLA	1115900-NLA	1115908-NLA
18"	1115885-NLA	1115893-NLA	1115901-NLA	1115909-NLA
19"	1115886-NLA	1115894-NLA	1115902-NLA	1115910-NLA
20"	1115887-NLA	1115895-NLA	1115903-NLA	1115911-NLA
22"	1124360-NLA	1124363-NLA	1124366-NLA	1124369-NLA
24"	1124361-NLA	1124364-NLA	1124367-NLA	1124370-NLA
26"	1124362-NLA	1124365-NLA	1124368-NLA	1124371-NLA



# Personal Back, Personal Back Plus, Matrix Personal Back10 Reg./Tall, Matrix Personal Back10 Plus Reg./Tall - For Round Canes

(Matrix added to Brand name as of 6/30/2011)

For Matrix PB models, see page titled "Matrix PB Back, Matrix PB Deep Back, Matrix PB HD Back and Matrix PB Deep HD Back".

## Item #20 Foam

### Personal Back10 and Personal Back10 Plus

Description	HR Foam	Visco Foam
13-14" Wide Regular Plus	1116453	1116469
15-16" Wide Regular Plus	1116454	1116470
17-18" Wide Regular Plus	1116455	1116471
19-20" Wide Regular Plus	1116456	1116472
22" Wide Regular Plus	1124497-NLA	1124509-NLA
24" Wide Regular Plus	1124498-NLA	1124510-NLA
26" Wide Regular Plus	1124499-NLA	1124511-NLA
13-14" Wide Regular	1116457	1116473
15-16" Wide Regular	1116458	1116474
17-18" Wide Regular	1116459	1116475
19-20" Wide Regular	1116460	1116476
22" Wide Regular	1124494-NLA	1124506-NLA
24" Wide Regular	1124495-NLA	1124507-NLA
26" Wide Regular	1124496-NLA	1124508-NLA
13-14" Wide Tall Plus	1116461	1116477
15-16" Wide Tall Plus	1116462	1116478
17-18" Wide Tall Plus	1116463-NLA	1116479
19-20" Wide Tall Plus	1116464	1116480
22" Wide Tall Plus	1124503-NLA	1124515-NLA
24" Wide Tall Plus	1124504-NLA	1124516-NLA

# Personal Back, Personal Back Plus, Matrix Personal Back10 Reg./Tall, Matrix Personal Back10 Plus Reg./Tall - For Round Canes

(Matrix added to Brand name as of 6/30/2011)

For Matrix PB models, see page titled "Matrix PB Back, Matrix PB Deep Back, Matrix PB HD Back and Matrix PB Deep HD Back".

## Item #20 Foam

### Personal Back10 and Personal Back10 Plus

Description	HR Foam	Visco Foam
26" Wide Tall Plus	1124505-NLA	1124517-NLA
13-14" Wide Tall Regular	1116465	1116481
15-16" Wide Tall Regular	1116466	1116482
17-18" Wide Tall Regular	1116467	1116483
19-20" Wide Tall Regular	1116468	1116484
22" Wide Tall Regular	1124500-NLA	1124512-NLA
24" Wide Tall Regular	1124501-NLA	1124513-NLA
26" Wide Tall Regular	1124502-NLA	1124514-NLA

# Personal Back, Personal Back Plus, Matrix Personal Back10 Reg./Tall, Matrix Personal Back10 Plus Reg./Tall - For Round Canes

(Matrix added to Brand name as of 6/30/2011)

For Matrix PB models, see page titled "Matrix PB Back, Matrix PB Deep Back, Matrix PB HD Back and Matrix PB Deep HD Back".

## Outer Upholstery Cover

### Personal Back10 and Personal Back10 Plus

Back Width	Regular	Tall Regular	Regular Plus	Tall Plus
13"	1115787	1115803	1115779	1115795
14"	1115788	1115804	1115780	1115796
15"	1115789	1115805	1115781	1115797
16"	1115790	1115806	1115782	1115798
17"	1115791	1115807	1115783	1115799
18"	1115792	1115808	1115784	1115800
19"	1115793	1115809	1115785	1115801
20"	1115794	1115810	1115786	1115802
22"	1124784	1124790	1124787	1124793
24"	1124785	1124791	1124788	1124794
26"	1124786	1124792	1124789	1124795

## Outer Cover

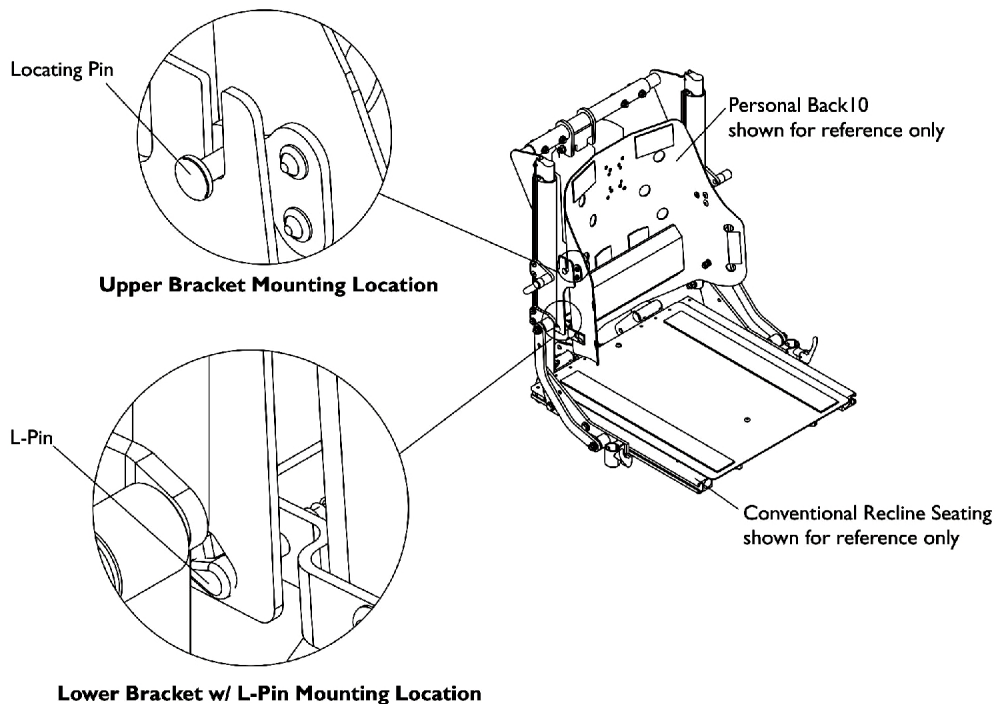
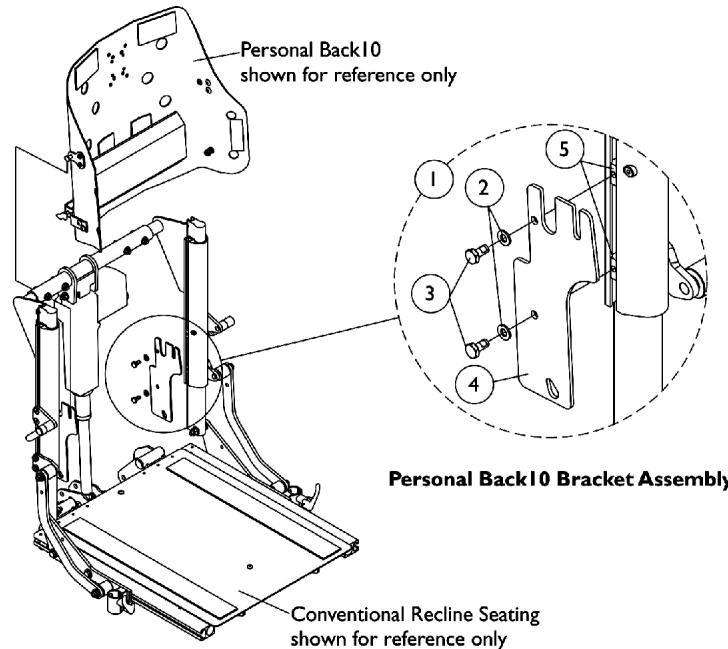
### Personal Back and Personal Back Plus

Chair Width	Regular	Tall	Regular Plus	Tall Plus
16"	1084711-NLA	1084712-NLA	1084719-NLA	1084720-NLA
18"	1084713-NLA	1084714-NLA	1084721-NLA	1084722-NLA
20"	1084715-NLA	1084716-NLA	1084723-NLA	1084724-NLA

Note: Odd sizes must be ordered as a builder.

# Matrix Personal Back10 (TALL Reg./TALL Plus) Hardware - For Extruded Canes

## Formula TRE Conventional Recline w/ BPO Option (Matrix added to Brand name as of 6/30/2011)



**Matrx Personal Back10 (TALL Reg./TALL Plus) Hardware -  
For Extruded Canes  
Formula TRE Conventional Recline w/ BPO Option  
(Matrx added to Brand name as of 6/30/2011)**

Item Number	Note	Part Number	Description	Quantity Per	
				Package	Assembly
1	A	1132748	Kit, Personal Back10 Tall Back Mounting Hardware For Conventional Recline 16-20" Wide	1	1
2			Washer (1/4 x 1/2 x 1/16")	1	4
3			Screw, Hex Head w/ Patch (1/4-20 x 1/2")	1	4
4			Bracket, Personal Back10 Tall, For Conventional Recline, Black (16 - 20" W)	1	2
5			T-Nut (1/4-20)	1	4
1	A	1133122	Kit, Personal Back10 Tall Back Mounting Hardware For Conventional Recline 20-24" Wide	1	1
2			Washer (1/4 x 1/2 x 1/16")	1	4
3			Screw, Hex Head w/ Patch (1/4-20 x 1/2")	1	4
4			Bracket, Personal Back10 Tall, For Conventional Recline, Black (20 - 24" W)	1	2
5			T-Nut (1/4-20)	1	4

NOTE: A - Includes items 2-5 and is used for a Personal Back10 Tall (Regular or Plus) model only

# **Matrx PB Back, Matrx PB Deep Back, Matrx PB HD Back and Matrx PB Deep HD Back**

## **Directions for Locating Replacement Components**

**NOTE:**

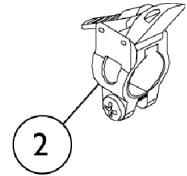
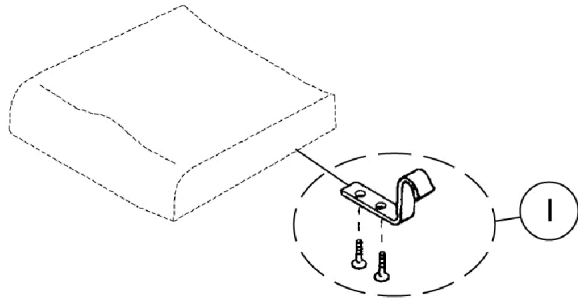
Refer to the Seating and Positioning Price List (Form # 17\_037) located at [www.invacare.com](http://www.invacare.com). for available replacement components on the following models:

Matrx PB Back  
Matrx PB Deep Back  
Matrx PB HD Back  
Matrx PB Deep HD Back

**NOTE:**

The Matrx PB Back models are not associated with the Personal Back, Matrx Personal Back 10 or Matrx Personal Back 10 Plus models.

# Comfort-Mate Hardware



## Comfort-Mate Hardware

Item Number	Note	Part Number	Description	Quantity Per	
				Package	Assembly
1		1063289-NLA	NLA - Hooks, Flush Mount with Hardware (Pair)	2	2
1		1063290-NLA	NLA - Hooks (1" Drop, 7/8" Tubing) (Pair)	2	2
1		1063291-NLA	NLA - Hooks (1" Drop, 1" Tubing) (Pair)	2	2
1		1063292-NLA	NLA - Hooks (2" Drop, 7/8" Tubing) (Pair)	2	2
1		1063293-NLA	NLA - Hooks (2" Drop, 1" Tubing) (Pair)	2	2
1		1063294-NLA	NLA - Hooks (3" Drop, 7/8" Tubing) (Pair)	2	2
1		1063295-NLA	NLA - Hooks (3" Drop, 1" Tubing) (Pair)	2	2
2		1063327-NLA	NLA - Clamps, Quick Release Rail (7/8" and 1" Tubing) (Pair)	2	2

4 ea. Attaching Screws included with item #1.

## Comfort-Mate Extra Cushion Outer Covers (CMEXC)

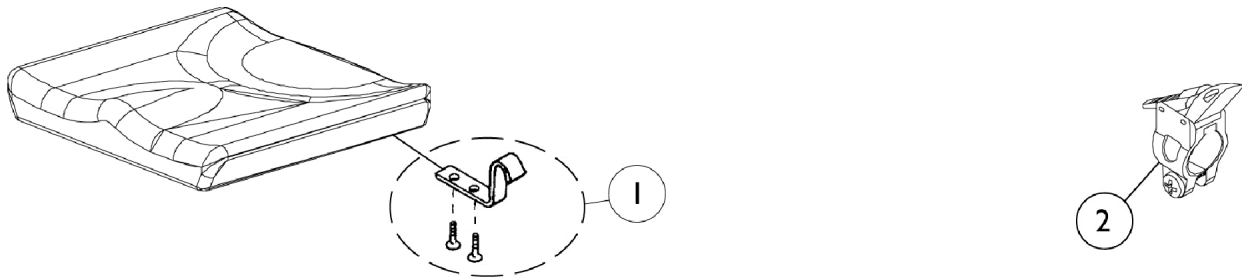
Part Number	Dimension
1093887	14" W x 14" D
1093888	14" W x 16" D
1093889	16" W x 16" D
1093891	16" W x 20" D
1093892	18" W x 16" D
1093893	18" W x 18" D
1093894	18" W x 20" D
1093895	20" W x 16" D
1093896	20" W x 18" D
1093897	20" W x 20" D
1093898	22" W x 18" D
1093899	22" W x 20" D
8881094394	Comfort-Mate Extra Cushion Builder (Odd Sizes order as a Special)



## Comfort-Mate Extra Base Inner Covers

Part Number	Dimension
1091912-NLA	14" W x 14" D
1091918-NLA	14" W x 16" D
1091923-NLA	16" W x 16" D
1091928-NLA	16" W x 18" D
1091938-NLA	18" W x 16" D
1091943-NLA	18" W x 18" D
1091953-NLA	20" W x 16" D
1091958-NLA	20" W x 18" D
1093492-NLA	Inner Cover Builder (Order odd sizes as a special)

# Comfort-Mate Extra Base Hardware



Item Number	Note	Part Number	Description	Quantity Per	
				Package	Assembly
1		1063289-NLA	NLA - Hooks, Flush Mount with Hardware (Pair)	2	2
1		1063290-NLA	NLA - Hooks (1" Drop, 7/8" Tubing) (Pair)	2	2
1		1063291-NLA	NLA - Hooks (1" Drop, 1" Tubing) (Pair)	2	2
1		1063292-NLA	NLA - Hooks (2" Drop, 7/8" Tubing) (Pair)	2	2
1		1063293-NLA	NLA - Hooks (2" Drop, 1" Tubing) (Pair)	2	2
2		1063327-NLA	NLA - Clamps, Quick Release Rail (7/8" and 1" Tubing) (Pair)	2	2

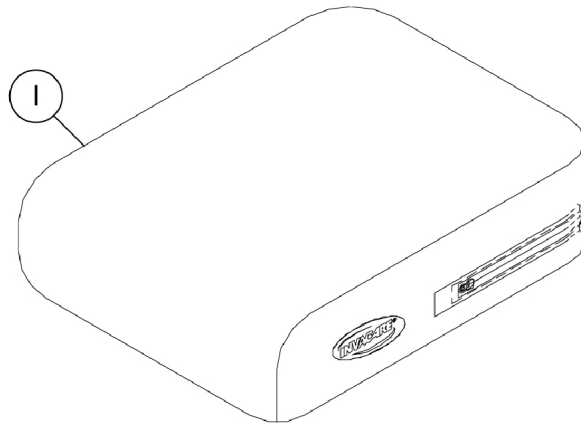
4 ea. Attaching Screws included with Item #1

## Comfort-Mate Extra Base Outer Covers (CMBXC)

Part Numbers	Dimensions
1093901-NLA	14" W x 14" D
1093902-NLA	14" W x 16" D
1093903-NLA	16" W x 16" D
1093904-NLA	16" W x 18" D
1093905-NLA	16" W x 20" D
1093906-NLA	18" W x 16" D
1093907-NLA	18" W x 18" D
1093908-NLA	18" W x 20" D
1093909-NLA	20" W x 16" D
1093910-NLA See Note(s) A	20" W x 18" D
1093911-NLA	20" W x 20" D
1093912-NLA	22" W x 18" D
1093913-NLA	22" W x 20" D
8881093914-NLA	Outer Covers (CMBXC) Builder (Order odd sizes as a special)

NOTE: A - This part comes with drawstrings.

# Ulti-Mate Cushion Inner Cover



## 10-15" Wide x 10-16" Deep

	10" Deep	11" Deep	12" Deep	13" Deep	14" Deep	15" Deep	16" Deep
10" Wide	1063723-NLA	1063724-NLA	1063725-NLA	N/A	N/A	N/A	N/A
11" Wide	1063726-NLA	1063727-NLA	1063728-NLA	1063729-NLA	N/A	N/A	N/A
12" Wide	N/A	N/A	1063714-NLA	1063730-NLA	1063731-NLA	N/A	N/A
13" Wide	N/A	N/A	1063732-NLA	1063733-NLA	1063734-NLA	1063735-NLA	N/A
14" Wide	N/A	N/A	N/A	1063736-NLA	1063715-NLA	1063737-NLA	1063716-NLA
15" Wide	N/A	N/A	N/A	N/A	N/A	N/A	1063738-NLA

NOTE: Quantity one per package.

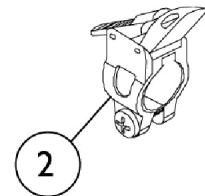
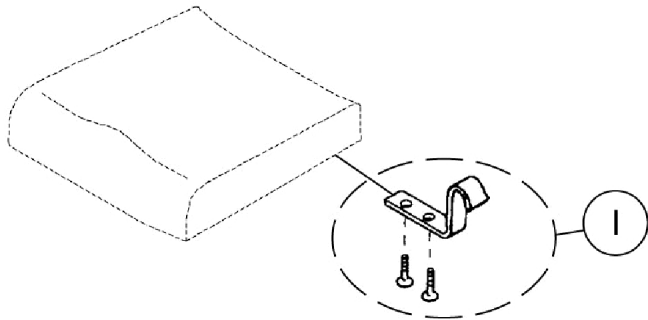
# Ulti-Mate Cushion Inner Cover

16-20" Wide x 16-20" Deep

	16" Deep	17" Deep	18" Deep	19" Deep	20" Deep
16" Wide	1063717-NLA	1063739-NLA	1063718-NLA	N/A	N/A
17" Wide	1063740-NLA	1063741-NLA	1063742-NLA	1063743-NLA	N/A
18" Wide	1063719-NLA	1063744-NLA	1063720-NLA	1063745-NLA	1063746-NLA
19" Wide	1063747-NLA	1063748-NLA	1063749-NLA	1063750-NLA	1063751-NLA
20" Wide	1063721-NLA	1063752-NLA	1063722-NLA	1063753-NLA	1063754-NLA

NOTE: Quantity one per package.

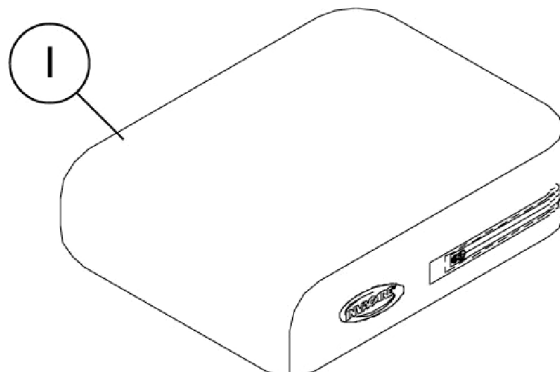
# Ulti-Mate Base Hardware



Item Number	Note	Part Number	Description	Quantity Per	
				Package	Assembly
1		1063289-NLA	NLA - Hooks, Flush Mount with Hardware (Pair)	2	2
1		1063290-NLA	NLA - Hooks (1" Drop, 7/8" Tubing) (Pair)	2	2
1		1063291-NLA	NLA - Hooks (1" Drop, 1" Tubing) (Pair)	2	2
1		1063292-NLA	NLA - Hooks (2" Drop, 7/8" Tubing) (Pair)	2	2
1		1063293-NLA	NLA - Hooks (2" Drop, 1" Tubing) (Pair)	2	2
1		1063294-NLA	NLA - Hooks (3" Drop, 7/8" Tubing) (Pair)	2	2
1		1063295-NLA	NLA - Hooks (3" Drop, 1" Tubing) (Pair)	2	2
2		1063327-NLA	NLA - Clamps, Quick Release Rail (7/8" and 1" Tubing) (Pair)	2	2

4 ea. Attaching Screws included with Item #1

## Ulti-Mate Base Inner Covers



### 10-15" Wide x 10-16" Deep

	10" Deep	11" Deep	12" Deep	13" Deep	14" Deep	15" Deep	16" Deep
10" Wide	1063755-NLA	1063765-NLA	1063766-NLA	N/A	N/A	N/A	N/A
11" Wide	1063767-NLA	1063768-NLA	1063769-NLA	1063770-NLA	N/A	N/A	N/A
12" Wide	N/A	N/A	1063756-NLA	1063771-NLA	1063772-NLA	N/A	N/A
13" Wide	N/A	N/A	1063773-NLA	1063774-NLA	1063775-NLA	1063776-NLA	N/A
14" Wide	N/A	N/A	N/A	1063777-NLA	1063757-NLA	1063778-NLA	1063758-NLA
15" Wide	N/A	N/A	N/A	N/A	N/A	N/A	1063779-NLA

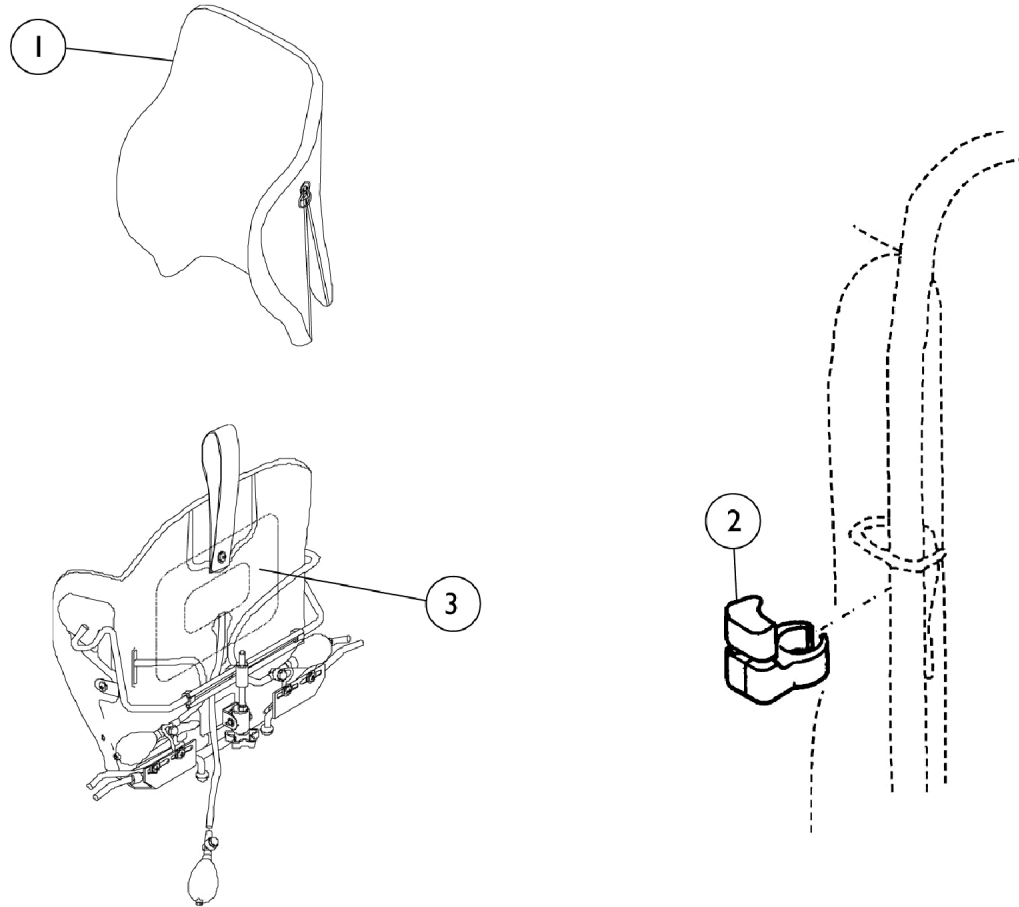
NOTE: Quantity one per package.

### 16-20" Wide x 16-20" Deep

	16" Deep	17" Deep	18" Deep	19" Deep	20" Deep
16" Wide	1063759-NLA	1063780-NLA	1063760-NLA	N/A	N/A
17" Wide	1063781-NLA	1063782-NLA	1063783-NLA	1063784-NLA	N/A
18" Wide	1063761-NLA	1063785-NLA	1063762-NLA	1063786-NLA	1063787-NLA
19" Wide	1063788-NLA	1063789-NLA	1063790-NLA	1063791-NLA	1063792-NLA
20" Wide	1063763-NLA	1063793-NLA	1063764-NLA	1063794-NLA	1063795-NLA

NOTE: Quantity one per package.

# Ulti-Mate Air Back and Ulti-Mate Air Back Pneumatic





## Ulti-Mate Air Back and Ulti-Mate Air Back Pneumatic

Item Number	Note	Part Number	Description	Quantity Per	
				Package	Assembly
1		See Chart	Item #1 - Back Covers	1	1
2		1063330-NLA	NLA - Clamps, Cane (7/8") (Pair)	2	2
2		1063329-NLA	NLA - Clamps, Cane (3/4") (Pair)	2	2
2		1063328-NLA	NLA - Clamps, Cane (1") (Pair)	2	2
3	B	1063841-NLA	NLA - Bladder, Lumbar with Bulb and Valve	1	1
	A	1081575-NLA	NLA - Bladder, Lateral with Bulb and Valve	1	1
	A	See Chart	Main Wire Assembly	1	1

NOTE: A - Not Shown  
B - For Ulti-Mate Air Back Pneumatic

### Item #1 - Back Covers

	16" High	20" High
16-17" Wide	1063812-NLA	1063813-NLA
18-19" Wide	1063814-NLA	1063815-NLA
20" Wide	1063816-NLA	1063817-NLA

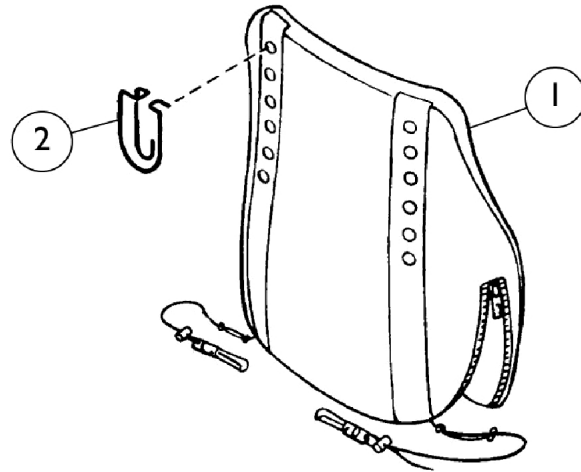
NOTE: For odd sizes, please contact your Customer Service representative.

# Ulti-Mate Air Back and Ulti-Mate Air Back Pneumatic

## Main Wire Assembly

Back Width	Part Number
16"	5000069-NLA
17"	5000071-NLA
18"	5000005-NLA
19"	5000073-NLA
20"	5000075-NLA

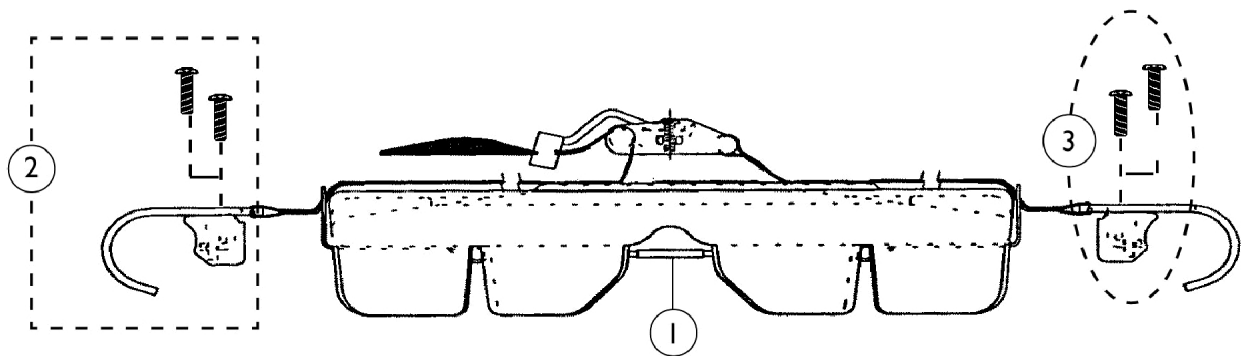
# S-Back Cover



## S-Back Cover

Item Number	Note	Part Number	Description	Quantity Per	
				Package	Assembly
1		1063796-NLA	NLA - Cover, S-Back - Medium (15 - 18" W)	1	1
1		1063797-NLA	NLA - Cover, S-Back - Large (18 - 20" W)	1	1
2		1063798-NLA	NLA - Clip, S-Back Mounting (Pair)	2	1

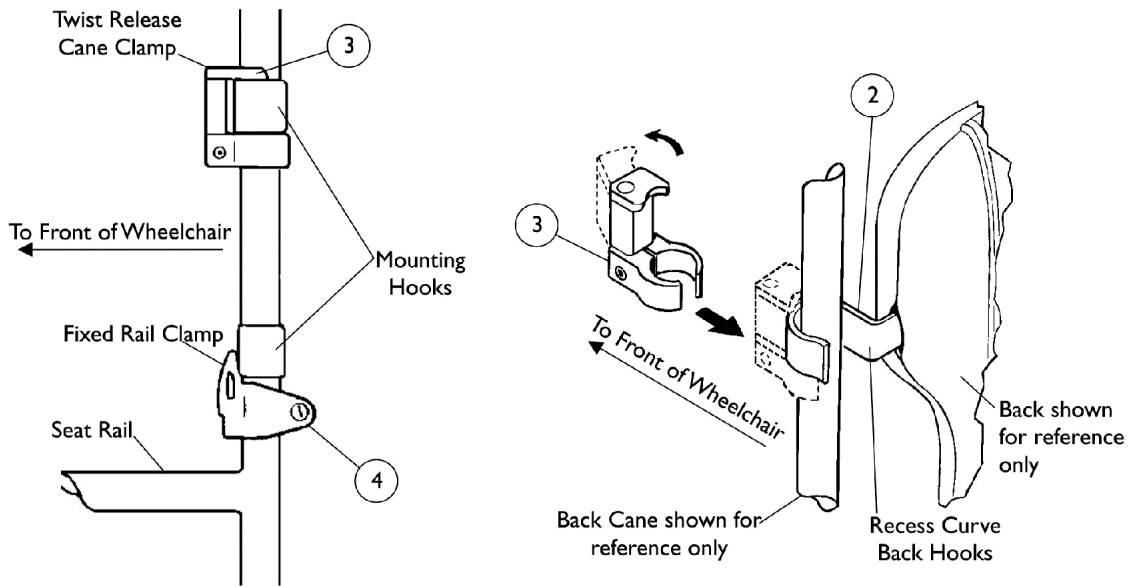
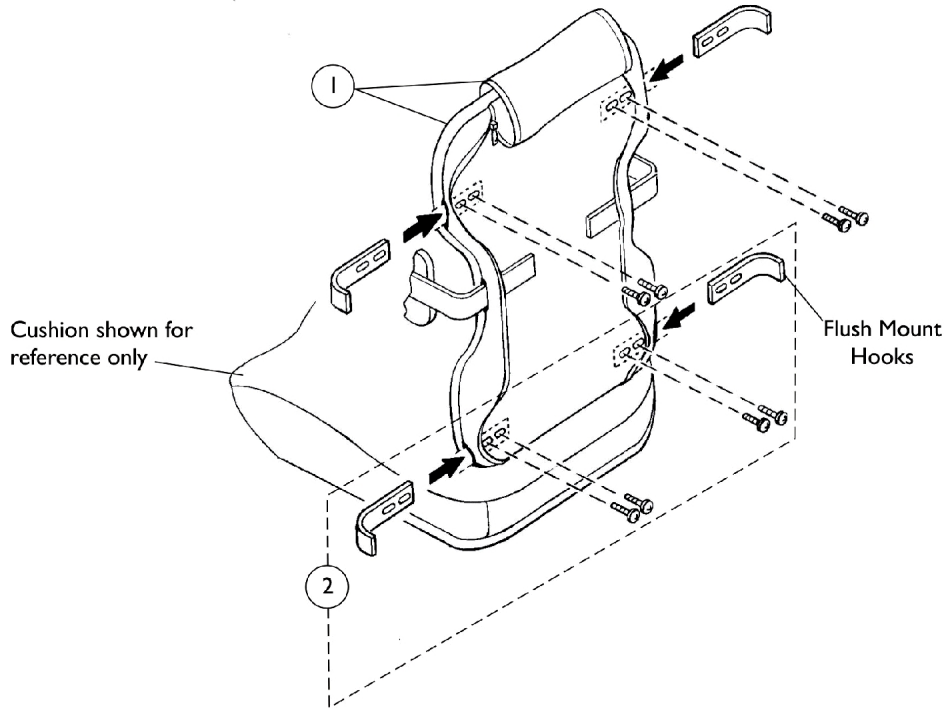
# PaxBac Hardware



Item Number	Note	Part Number	Description	Quantity Per	
				Package	Assembly
1		1064044-NLA	NLA - Retainer	1	1
2		1064045-NLA	NLA - Kit, Strap with Hardware, Small (Includes: (4) Screw, Button Head Socket #8-32 x 3/4")	1	1
2		1064046-NLA	NLA - Kit, Strap with Hardware, Medium (Includes: (4) Screw, Button Head Socket #8-32 x 3/4")	1	1
2		1064047-NLA	NLA - Kit, Strap with Hardware, Large (Includes: (4) Screw, Button Head Socket #8-32 x 3/4")	1	1
3	A	1087729	Kit, Lock Block and Screws	1	2

NOTE: A - Includes the Lock Block and (2) Screws, Button Head Socket #8-32 x 3/4"

# Curved Back and Curved Back Pneumatic Covers, Cane Clamps and Back Mounting Hooks



**Side View Mounting Locations  
Twist Clamp and Fixed Clamp**

# Curved Back and Curved Back Pneumatic Covers, Cane Clamps and Back Mounting Hooks

Item Number	Note	Part Number	Description	Quantity Per	
				Package	Assembly
1		See Chart	Item #1 Back Covers	1	1
2		See Chart	Item #2 Curved Back and Curved Back Pneumatic Back Hooks	2	2
3		1063331-NLA	NLA - Clamps, Cane, Twist Release (1" Tubing) (Pair)	2	1
3		1063332-NLA	NLA - Clamps, Cane, Twist Release (7/8" Tubing) (Pair)	2	1
4		5500318-NLA	NLA - Clamps, Fixed Rail w/ Instruction Sheet (7/8" and 1" Tubing) (Pair)	2	1

## Item #1 Back Covers

Part Numbers	Width x Height
1063805-NLA	10" x 10"
1063799-NLA	12" x 12"
1063800-NLA	14" x 14"
1063801-NLA	16" x 16"
1063802-NLA	16" x 20"
1063803-NLA	18" x 20"
1063804-NLA	20" x 20"

NOTE: Quantity One per Package

## Item #2 Curved Back Hooks (Flush Mount and Recess Mount)

(4 ea. Attaching Screws are included with Mounting Hooks)

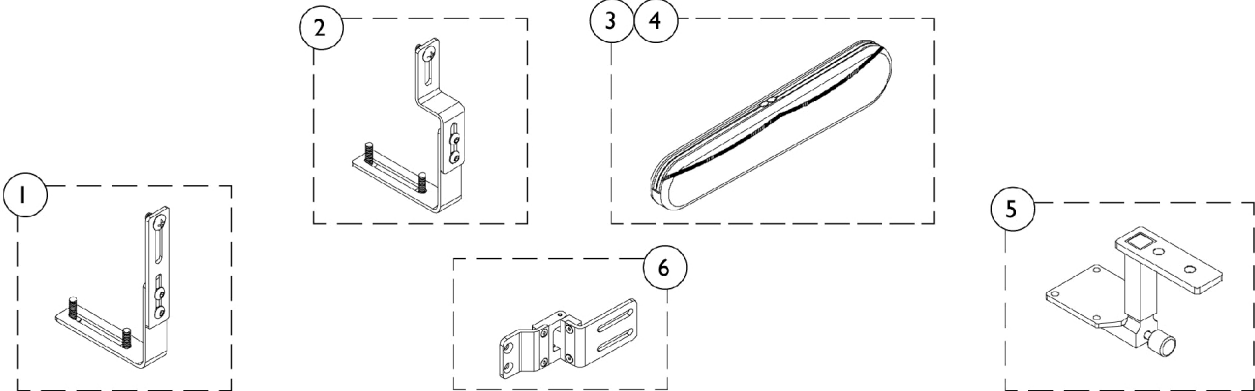
Width x Tubing Diameter	Flush Mount (Qty 2 ea.)	1" Recess (Qty 2 ea.)	2" Recess (Qty 2 ea.)	3" Recess (Qty 2 ea.)
10" x 7/8" and 1"	1063289-NLA See Note(s) A	N/A	N/A	N/A
12" x 7/8"	N/A	1063296-NLA	1063297-NLA	1063298-NLA
12" x 1"	N/A	1063299-NLA	1063300-NLA	1063301-NLA
14" x 7/8"	N/A	1063074-NLA	1063075-NLA	1063076-NLA
14" x 1"	N/A	1063077-NLA	1063078-NLA	1063079-NLA
16" x 7/8"	N/A	1063308-NLA	1063309-NLA	1063310-NLA
16" x 1"	N/A	1063311-NLA	1063312-NLA	1063313-NLA
18" x 7/8"	N/A	1063314-NLA	1063315-NLA	1063316-NLA
18" x 1"	N/A	1063317-NLA	1063318-NLA	1063319-NLA
20" x 7/8"	N/A	1063320-NLA	1063321-NLA	1063322-NLA
20" x 1"	N/A	1063323-NLA	1063324-NLA	1063325-NLA

# Curved Back and Curved Back Pneumatic Covers, Cane Clamps and Back Mounting Hooks

NOTE: A - 10" wide back wheelchairs will use only Flush Mount Hooks

NOTE: When ordering hooks for odd size widths, go to the next size up. Example: for a 15" wide back order a 16" wide hook.

# KSS Seating Accessories for Abductors, Adductors and Laterals



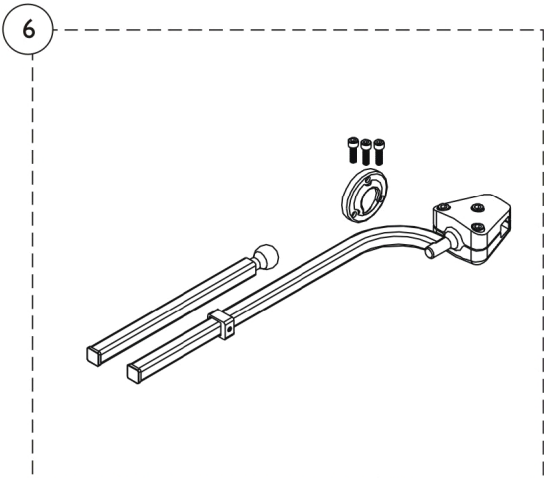
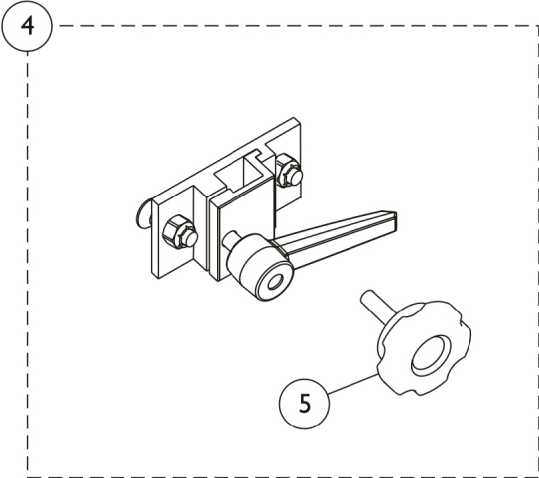
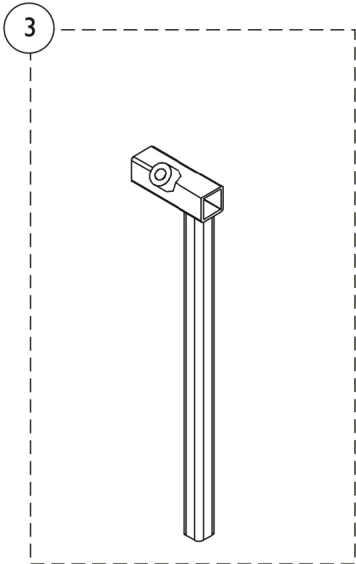
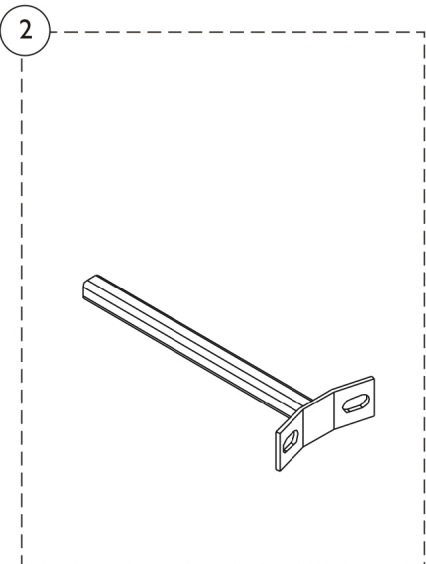
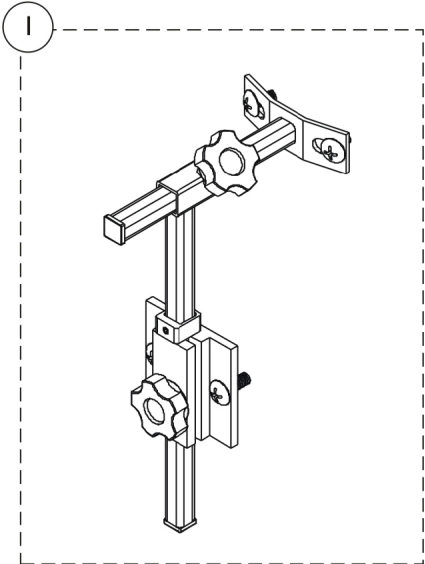


## KSS Seating Accessories for Abductors, Adductors and Laterals

Item Number	Note	Part Number	Description	Quantity Per	
				Package	Assembly
1		1072716-NLA	NLA - Brackets, Adductor, Flush, Black	1	1
2		1073061-NLA	Brackets, Adductor Offset, Black (1")	1	1
3		1072431-NLA	NLA - Pad, Adductor - Small (10" L)	1	1
3		1072902-NLA	NLA - Pad, Adductor - Medium (12" L)	1	1
3		1072432-NLA	NLA - Pad, Adductor - Large (14" L)	1	1
4		1072433-NLA	NLA - Cover, Adductor - Small (Fits 10")	1	1
4		1072434-NLA	NLA - Cover, Adductor - Medium (Fits 12")	1	1
4		1072741-NLA	NLA - Cover, Adductor - Large (Fits 14")	1	1
5		1063831-NLA	NLA - Bracket, Abductor Flip Down - Small (Height Adjustable From 2-3/8" to 3-3/4")	1	1
5		1063830-NLA	NLA - Bracket, Abductor Flip Down - Large (Height Adjustable From 3" to 5-1/8")	1	1
	B	1063834-NLA	NLA - Pad, Abductor Flip Down - Small (3" H x 4-3/4" D x 2-1/4" W)	1	1
	B	1063833-NLA	NLA - Pad, Abductor Flip Down - Large (4" H x 6" D x 3-1/2" W)	1	1
6		1072703-NLA	NLA - Bracket, Lateral Support, Swingaway - Small	2	1
6		1072526-NLA	NLA - Bracket, Lateral Support, Swingaway - Medium/ Large	2	1
	B	1063829-NLA	NLA - Bracket, Lateral Support, Fixed - Small	1	1
	B	1063828-NLA	NLA - Bracket, Lateral Support, Fixed - Medium/ Large	1	1
	B	5000054-NLA	NLA - Pads, Lateral Support, Fixed - Small (4" H x 5" D x 1" W)	2	1
	B	5000053-NLA	NLA - Pads, Lateral Support, Fixed - Medium (4-1/2" H x 6" D x 1" W)	2	1
	B	5000052-NLA	NLA - Pads, Lateral Support, Fixed - Large (5" H x 7-1/2" D x 1" W)	2	1
	A,B	1077148-NLA	NLA - Cover, Lateral Support - Small (4" H x 5" D x 1" W)	1	1
	A,B	1077149-NLA	NLA - Cover, Lateral Support - Medium (4-1/2" H x 6" D x 1" W)	1	1
	A,B	1077150-NLA	NLA - Cover, Lateral Support - Large (5" H x 7-1/2" D x 1" W)	1	1
	B	1077157-NLA	NLA - Pad, Lateral Support, Swingaway - Small (4" H x 5" D x 1" W)	1	1
	B	1077158-NLA	NLA - Pad, Lateral Support, Swingaway - Medium (4-1/2" H x 6" D x 1" W)	1	1
	B	1077159-NLA	NLA - Pad, Lateral Support, Swingaway - Large (5" H x 7-1/2" D x 1" W)	1	1

NOTE: A - Lateral Support Covers fit both Fixed and Swingaway Support Pads.  
B - Not Shown

# KSS Seating Accessories for Basic Head Support



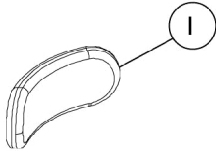
## KSS Seating Accessories for Basic Head Support

Item Number	Note	Part Number	Description	Quantity Per	
				Package	Assembly
1		1063837-NLA	NLA - Head Support Assembly, Adult (7" D x 8" H)	1	1
1		1063838-NLA	NLA - Head Support Assembly, Child (5" D x 8" H)	1	1
2		1063840-NLA	NLA - Posts, Horizontal Head Support, Extra Long (15" L)	1	1
2		1072464-NLA	NLA - Posts, Horizontal Head Support, Adult (7" L)	1	1
2		1072442-NLA	NLA - Posts, Horizontal Head Support, Child (5" L)	1	1
3		1063839-NLA	NLA - Posts, Vertical Head Support, Extra Long (15" L)	1	1
3		1072444-NLA	NLA - Posts, Vertical, Head Support - Regular (Length 8")	1	1
4	B	0273100	Kit, Headrest Clamp, Lever Style	1	1
5	B	1072439-NLA	NLA - Knob, Adjustment, Black (3/4" L Threads)	1	1
6		1078070	Bracket Assembly, Headrest Offset, Black	1	1
	A	1063835-NLA	NLA - Pad, Head Support - Adult (3" H x 10" W)	1	1
	A	1063836-NLA	NLA - Pad, Head Support - Child (2-1/2" H x 7-1/2" W)	1	1
	A	1084842-NLA	NLA - Cover, Outer, Head Support - Adult (3" H x 10" W)	1	1
	A	1084843-NLA	NLA - Cover, Outer, Head Support - Child (2-1/2" H x 7-1/2" W)	1	1

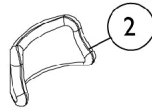
NOTE: A - Not Shown

B - Item 5 Adjustment Knob was replaced with an Adjustment Lever in Headrest Clamp Kit part # 0273100. The Lever is not available as a separate part. The knob Part # 1072439 is sold separately and is interchangeable with the Lever.

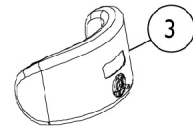
# KSS Seating Accessories for Headrest Pads and Growth Brackets



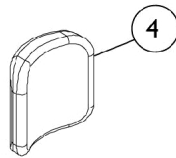
Adjustable Headrest Pad



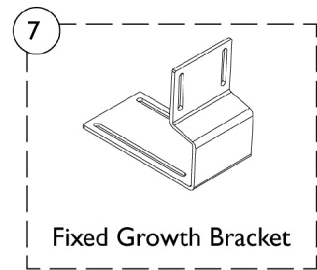
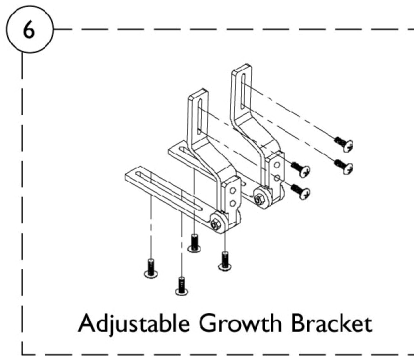
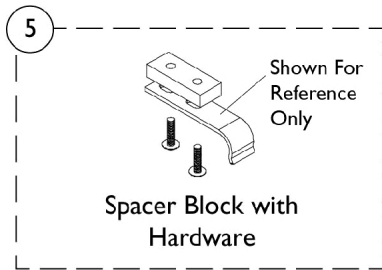
2-Step Adjustable Headrest Pad (Small)



2-Step Adjustable Headrest Pad (Large)



Curved Adjustable Headrest Pad

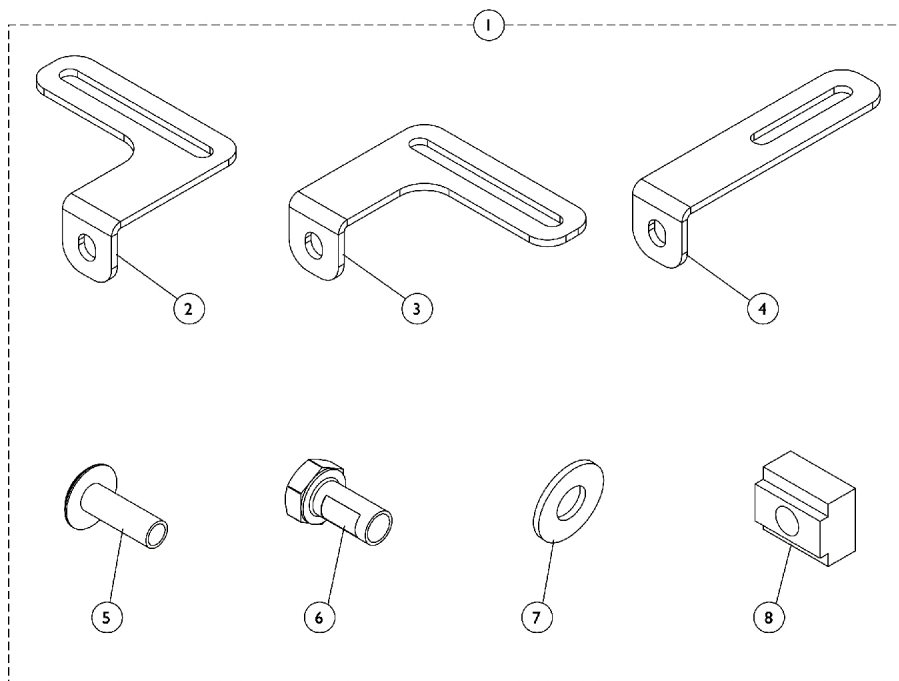


## KSS Seating Accessories for Headrest Pads and Growth Brackets

Item Number	Note	Part Number	Description	Quantity Per	
				Package	Assembly
1		1073062-NLA	NLA - Pad, Adjustable Headrest - Small (9" W x 3-1/2" H)	1	1
2		0128000-NLA	NLA - Headrest, Two-Step (8-1/2" W x 5-1/2" H)	1	1
3		1073063-NLA	NLA - Pad, Adjustable Headrest, Two-Step - Large (11" W x 6" H)	1	1
4		0127700	Headrest, Curved (6" W x 7" H)	1	1
5		1077861-NLA	NLA - Kit, Spacer Blocks and Mounting Screws	4	1
6		1084149-NLA	NLA - Bracket, Growth Adjustable, Black (7/8")	1	1
6		1084148-NLA	NLA - Bracket, Growth Adjustable, Black (1")	1	1
7		5500249-NLA	NLA - Bracket, Fixed Growth, Small, Black (Fits 10" Systems)	1	1
7		5500250-NLA	NLA - Bracket, Fixed Growth, Medium, Black (Fits 12" Systems)	1	1
7		5500043-NLA	NLA - Bracket, Growth Fixed, Large, Black (Fits 14" and Wider Systems)	1	1

# KSS Mounting Brackets

For (12"-16" Wide) ADJASBA and Pronto M71 jr.Seat Frames



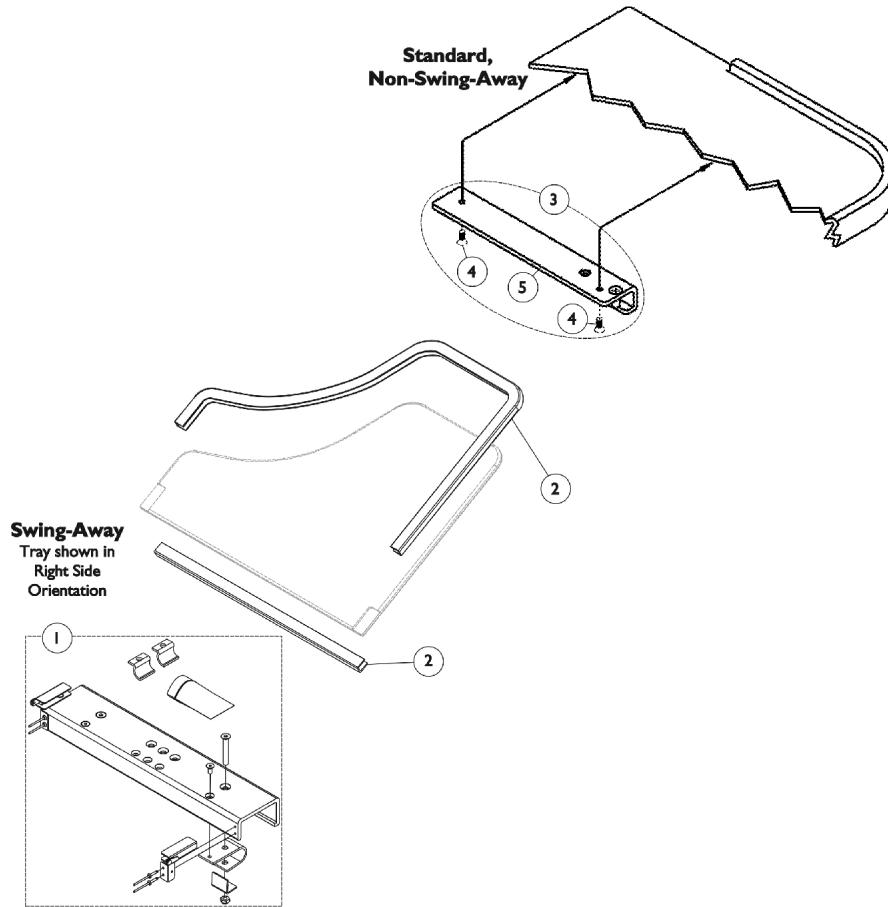
## KSS Mounting Brackets

### For (12"-16" Wide) ADJASBA and Pronto M71 jr.Seat Frames

Item Number	Note	Part Number	Description	Quantity Per	
				Package	Assembly
1	A	1136833	Kit, KSS Mounting Hardware For Seat Rails with T-Nuts	1	1
2			Bracket, Seat Mounting, Rear, Black - Right	1	1
3			Bracket, Seat Mounting, Rear, Black - Left	1	1
4			Bracket, Seat Mounting, Front, Black	1	2
5			Screw, Phillips Truss Head (1/4-20 x 3/4")	1	8
6			Screw, Hex Head w/ Patch (5/16-18 x 5/8")	1	4
7			Washer, Steel (5/16 x 3/4 x 1/16")	1	4
8			T-Nut (5/16-18)	1	4

NOTE: A - Includes items 2-8

# Swing and Non-Swing Lap Tray Mounting Hardware

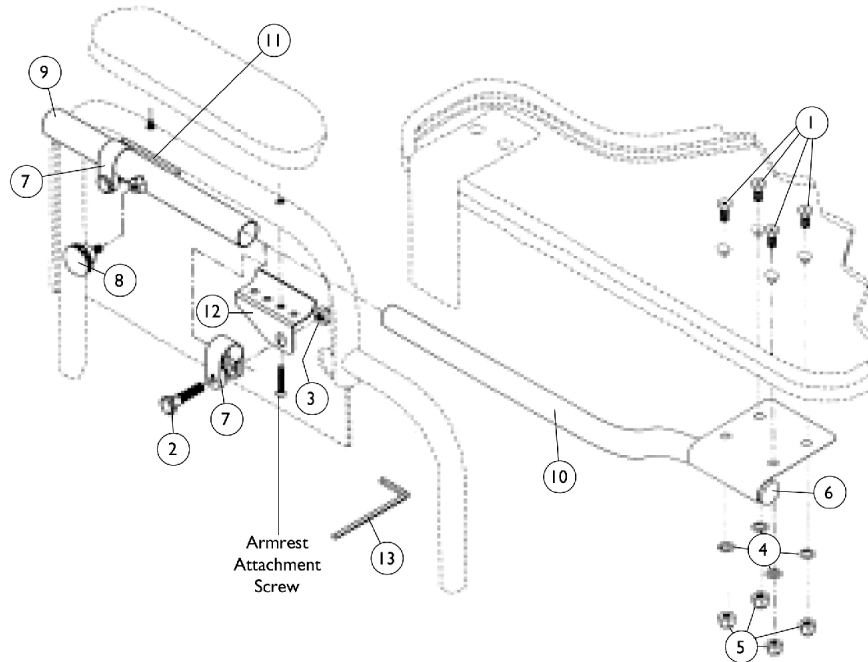




## Swing and Non-Swing Lap Tray Mounting Hardware

Item Number	Note	Part Number	Description	Quantity Per	
				Package	Assembly
1	B,C,G	See Note	See Footnote	1	1
2		1084841-NLA	NLA - Q-trim (9' L)	1	1
3	D,F	1084840-NLA	NLA - Kit, Rail - Standard	1	1
4		1046390-NLA	NLA - Package, Phillips Head Screw (1/4-20 x 1/2")	4	1
5	E,F	1049375-NLA	NLA - Rail, Standard - Left	1	1
5	E,F	1049374-NLA	NLA - Rail, Standard - Right	1	1
	A	1063842-NLA	NLA - Clamps, Swingaway Tray	1	2
	A	1049210-NLA	NLA - Rail, Tubular - Right	1	1
	A	1049211-NLA	NLA - Rail, Tubular - Left	1	1
	A,H	1068860-NLA	NLA - Instruction Sheet, Communication & Full Lap Trays	1	1
	A	1068861-NLA	NLA - Instruction Sheet, Swing-Away Tray	1	1
<p>NOTE: A - Not Shown            B - Includes converter brackets for 7/8" rail.            C - Includes: All hardware except tray and Q-trim            D - Includes items 4 and 5            E - Item #3 needs to be ordered for replacement.            F - Individual parts are no longer available. Contact Invacare Customer Service for complete replacement kit.            G - Part is no longer available as a service part.            H - Item is no longer available from the Invacare Service Parts Department. Refer to the Invacare Website under "Product Literature Search". Enter the part number in the "Keywords" field and download a free PDF version copy.</p>					
<p>NOTE: There is no replacement hardware for Communication Trays other than Item 2 &amp; Instruction Sheet</p>					

## TR40L and TR40R Tray Mounting Hardware

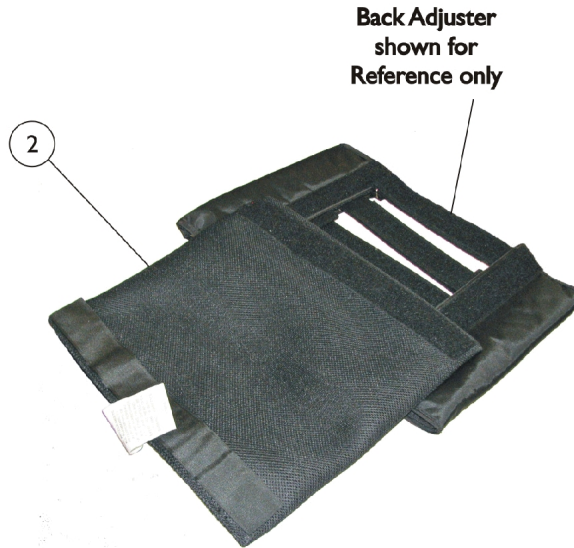


Item Number	Note	Part Number	Description	Quantity Per	
				Package	Assembly
1		1100140	Screw, Socket Flat Head (1/4-20 x 5/8")	1	4
2		1100168-NLA	NLA - Bolt, Clamp (5/16-24 x 1-3/8")	1	2
3		60264X001	Locknut (5/16-24)	1	2
4		1100323-NLA	NLA - Lockwasher (1/4")	1	4
5		1100369-NLA	NLA - Nut, Acorn (1/4-20)	1	4
6		1200036	Plug Button, Round, Black (3/4")	1	1
7		47311X001-NLA	NLA - Clamp (7/8")	1	2
8		1200071-NLA	NLA - Knob	1	1
8		1072440	Knob, Adjustment, Black (1/2" L Threads)	1	1
9		3000837	Tube, Slide Lock	1	1
10		3000839	Tube, Support, Tray - Right	1	1
10		3000838	Tube, Support, Tray - Left	1	1
11		3000898	Bracket, Support, Chrome - Right	1	1
12		3000900	Bracket, Support, Chrome - Left	1	1
13		4000043-NLA	NLA - Wrench, Allen (5/32")	1	1

# Versair Adjustable Tension Back Upholstery Assemblies and Privacy Flaps



Front view of Back Assembly



Back Adjuster shown for Reference only

Privacy Flap shown attached to Adjuster



Wheelchair Shown for Reference only

Versair Adjustable Tension Back

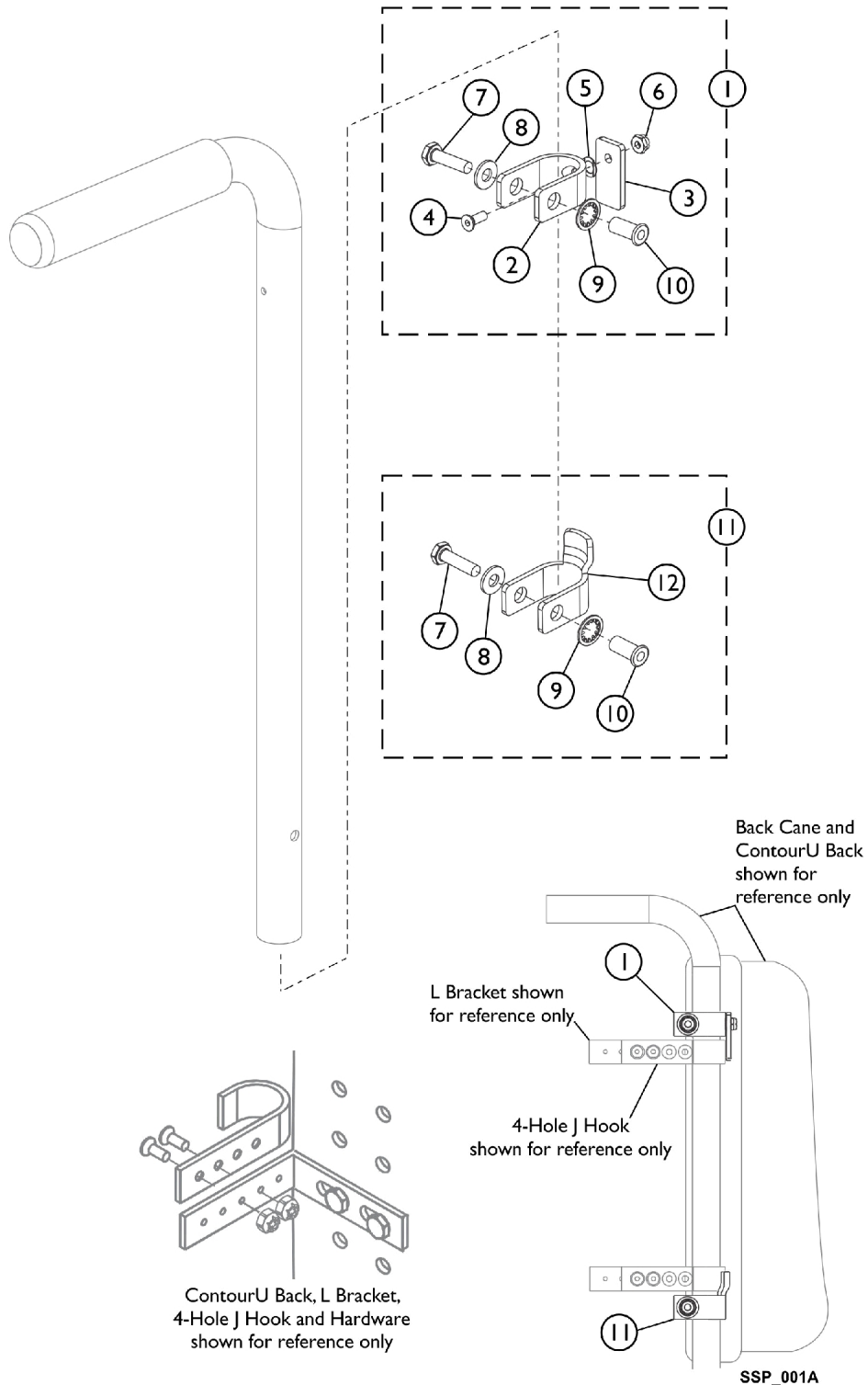
# Versair Adjustable Tension Back Upholstery Assemblies and Privacy Flaps

Item Number	Note	Part Number	Description	Quantity Per	
				Package	Assembly
1	A	1169271	Upholstery Assembly, w/ Hardware, Back, Versair, Adj. Tension Black Mesh (16-21" W x 15-17" H)	1	1
1	A	1169272	Upholstery Assembly, w/ Hardware, Back, Versair, Adj. Tension Black Mesh (21-26" W x 15-17" H)	1	1
1	A	1169273	Upholstery Assembly, w/ Hardware, Back, Versair, Adj. Tension Black Mesh (16-21" W x 17-19" H)	1	1
1	A	1169274	Upholstery Assembly, w/ Hardware, Back, Versair, Adj. Tension Black Mesh (21-26" W x 17-19" H)	1	1
2		1179453	Upholstery, Privacy Flap, Versair, Black Nylon, Standard (16 - 21" W)	1	1
2		1179454	Upholstery, Privacy Flap, Versair, Black Nylon, Large (21 - 26" W)	1	1

NOTE: A - Assembly includes Back Upholstery, Right and Left Adjusters, Hardware and Instruction Sheet. Available as a Back Upholstery Assembly only. Individual components are not serviceable.

# PinDot ContourU Back Adjustable J Hook Horseshoe Clip Hardware

## For Round Back Canes (7/8") and (1")



# PinDot ContourU Back Adjustable J Hook Horseshoe Clip Hardware

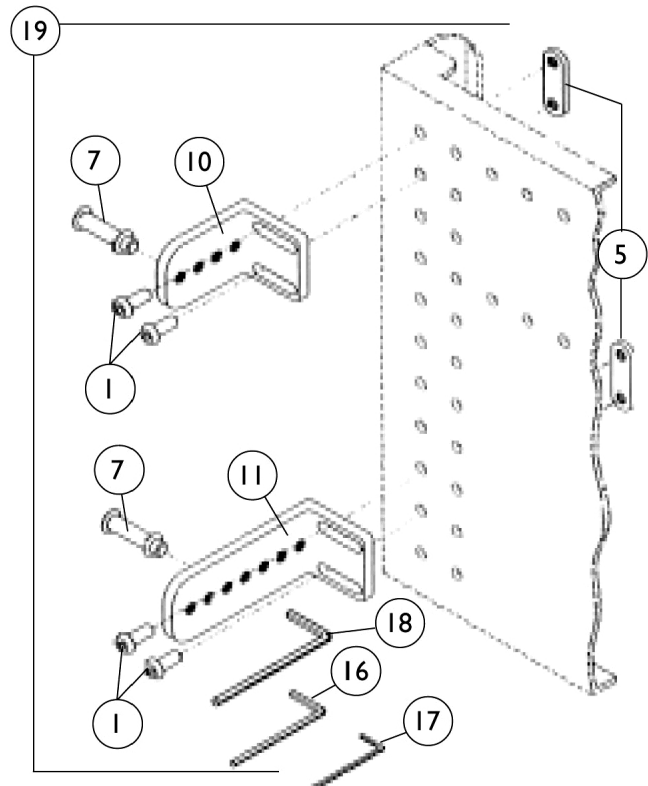
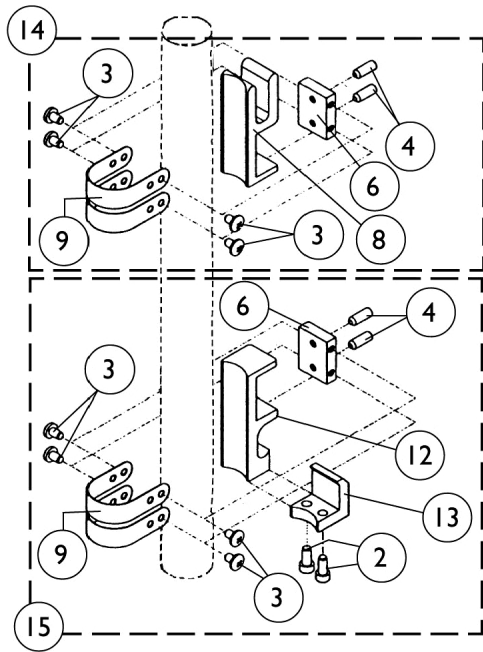
## For Round Back Canes (7/8") and (1")

Item Number	Note	Part Number	Description	Quantity Per	
				Package	Assembly
1	A	1109122	Kit, Horseshoe Rotating Clip Assembly (7/8")	1	4
2			Clip, Horseshoe, Rotating, Black (7/8")	1	1
3			Plate, Black	1	1
4			NLA - Screw, Socket Flat Head (#10-32 x 1/2")	1	1
5			Washer, Wave (9/32 x 7/16 x 1/64")	1	1
6			Locknut (#10-32)	1	1
7			Screw, Hex Head (1/4-20 x 1")	1	1
8			NLA - Washer, Flat (1/4 x 5/8 x 1/16")	1	1
9			Washer, Lock Internal Tooth (25/64 x 11/16 x 1/32")	1	1
10			Rivnut (1/4-20 x 3/4")	1	1
1	A	1109123	Kit, Horseshoe Rotating Clip Assembly (1")	1	4
2			Clip, Horseshoe, Rotating, Black (1")	1	1
3			Plate, Black	1	1
4			NLA - Screw, Socket Flat Head (#10-32 x 1/2")	1	1
5			Washer, Wave (9/32 x 7/16 x 1/64")	1	1
6			Locknut (#10-32)	1	1
7			Screw, Hex Head (1/4-20 x 1")	1	1
8			NLA - Washer, Flat (1/4 x 5/8 x 1/16")	1	1
9			Washer, Lock Internal Tooth (25/64 x 11/16 x 1/32")	1	1
10			Rivnut (1/4-20 x 3/4")	1	1
11	B	1109120	Kit, Horseshoe Clip Assembly (7/8")	1	4
7			Screw, Hex Head (1/4-20 x 1")	1	1
8			NLA - Washer, Flat (1/4 x 5/8 x 1/16")	1	1
9			Washer, Lock Internal Tooth (25/64 x 11/16 x 1/32")	1	1
10			Rivnut (1/4-20 x 3/4")	1	1
12			Clip, Horseshoe, Black (7/8")	1	1
11	B	1109121	Kit, Horseshoe Clip Assembly (1")	1	4
7			Screw, Hex Head (1/4-20 x 1")	1	1
8			NLA - Washer, Flat (1/4 x 5/8 x 1/16")	1	1
9			Washer, Lock Internal Tooth (25/64 x 11/16 x 1/32")	1	1
10			Rivnut (1/4-20 x 3/4")	1	1
12			Clip, Horseshoe, Black (1")	1	1

NOTE: A - Includes items 2-10.  
B - Includes items 7-10 and 12.

# PinDot ContourU Back Adjustable Hardware

## Universal Interfacing Hardware Kit - HWABK



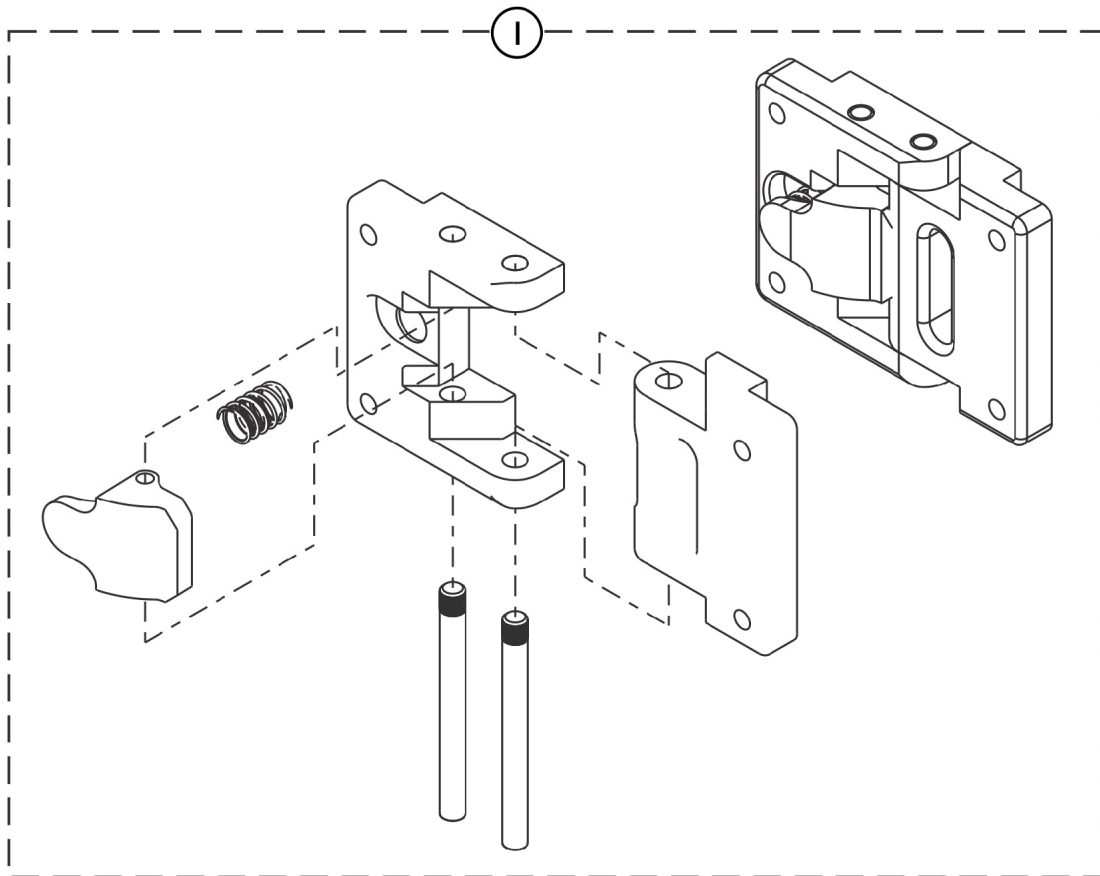
## PinDot ContourU Back Adjustable Hardware Universal Interfacing Hardware Kit - HWABK

Item Number	Note	Part Number	Description	Quantity Per	
				Package	Assembly
1		1100020-NLA	NLA - Screw, Socket Button Head (1/4-20 x 5/8")	1	8
2		1100270-NLA	NLA - Screw, Socket Head (#8-32 x 3/8")	1	4
3		1100380-NLA	NLA - Screw, Phillips Pan Head (#8-32 x 1/4")	1	16
4		1100381	Screw, Set Socket Cup Point (#10-32 x 1/2")	1	8
5		3000242-NLA	NLA - Backing Plate, 2 Position, 1" Spacing	1	4
6		3002719-NLA	NLA - Clamp Block, Universal	1	4
7		3002721	Pin, Quick Release	1	4
8		3002751-NLA	NLA - Clamp Base, Universal	1	2
9	E	See Note	See Footnote	1	8
10		3003054-NLA	NLA - Bracket, Back, 4 Hole - Short	1	2
11		3003055-NLA	NLA - Bracket, Back, 7 Hole - Long	1	2
12		3003057-NLA	NLA - Base, Snap Lock	1	2
13		3003058-NLA	NLA - Lever, Snap	1	2
14	B	3003070-NLA	NLA - Clamp Assembly, Universal	1	1
15	C	3003071	Snap Lock Assembly	1	1
16		4000031-NLA	NLA - Wrench, Allen (9/64")	1	1
17		4000032-NLA	NLA - Wrench, Allen (3/32")	1	1
18		4000043-NLA	NLA - Wrench, Allen (5/32")	1	1
19	D	1097019	Kit, Adjustable Back Bracket Includes: (8) Screws, (1) Weld Nut, (4) Brackets, (1) Quick Release Pin, (1) 9/64" Hex Key, and Instruction Sheet	1	1
	A	1100415	Insert, Threaded (1/4-20")	1	8
	A	1140755	Kit, Adjustable Back Mounting	1	1

NOTE: A - Not Shown  
B - Includes items 3-4, 6, 8-9 and instructions  
C - Includes items 2-4, 6, 9, 12-13 and instructions  
D - Includes items 1, 5, 7, 10-11, 16-18 and instructions  
E - Universal Clamp Strap is no longer available as a service part.



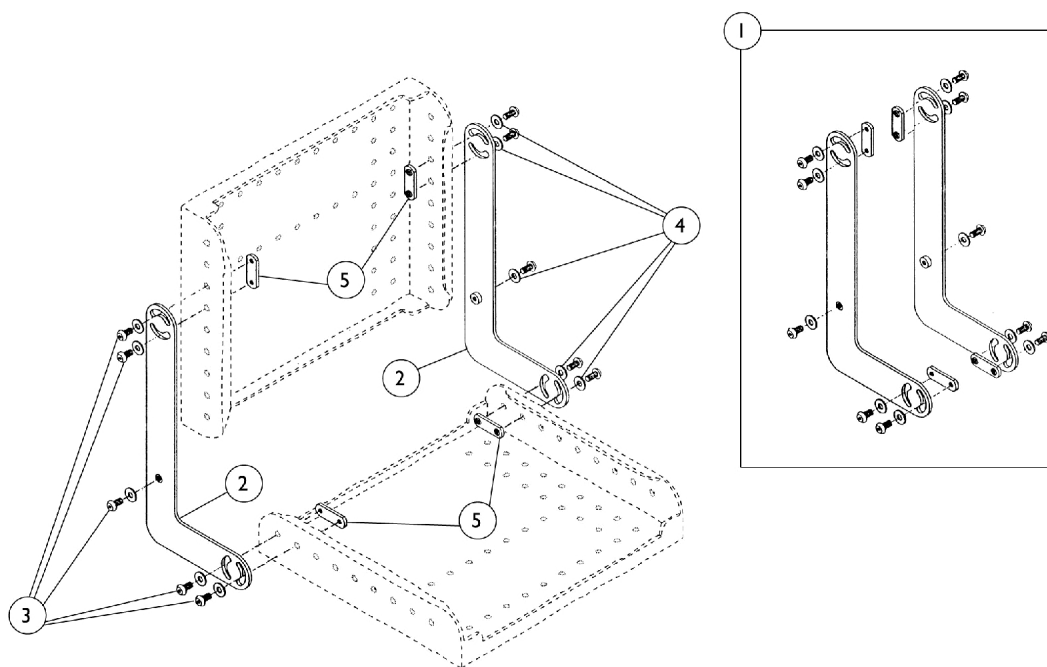
# PinDot ContourU Bracket, Swing Away



Item Number	Note	Part Number	Description	Quantity Per	
				Package	Assembly
1		60104727	Bracket, Swing Away, ContourU	1	1

# PinDot ContourU Growth Links

## GL01 Standard and GL03 Heavy Duty - Interfacing Hardware Package

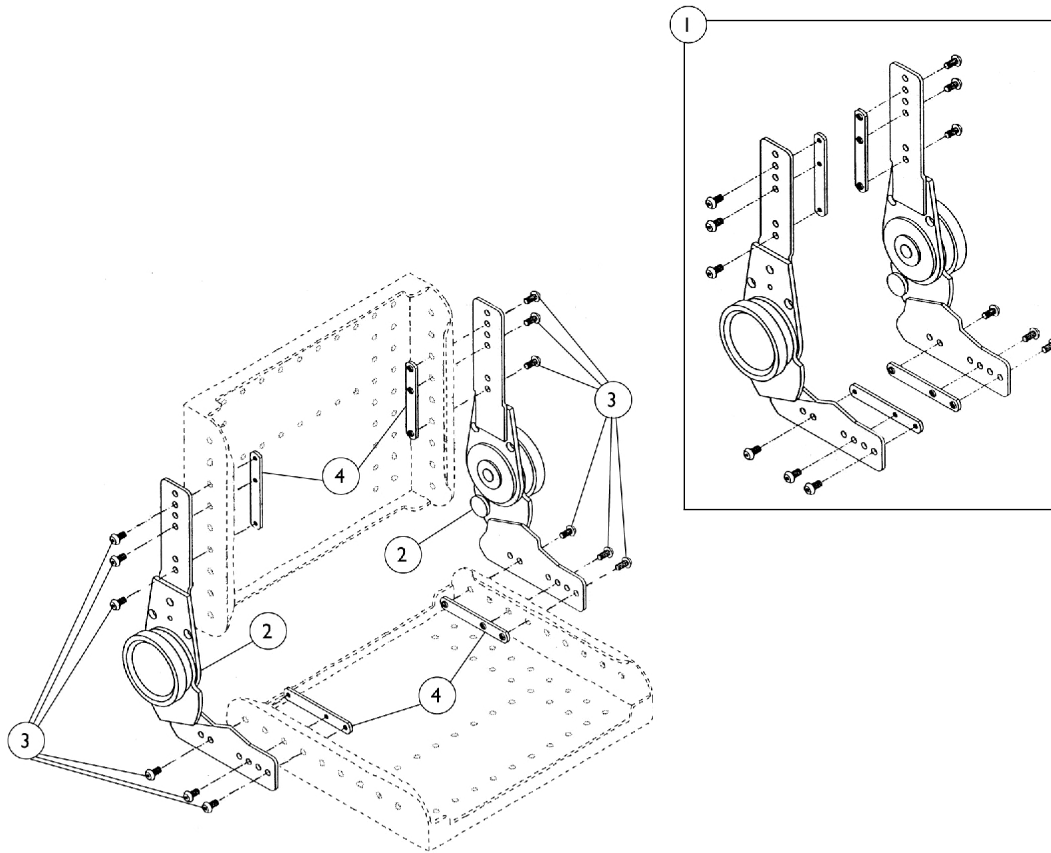


# PinDot ContourU Growth Links

## GL01 Standard and GL03 Heavy Duty - Interfacing Hardware Package

Item Number	Note	Part Number	Description	Quantity Per	
				Package	Assembly
1		GL01	Growth Links with Hardware, Standard (Pair)	2	1
1		GL03	Growth Links with Hardware, Heavy Duty (Pair)	2	1
2		3000634-NLA	NLA - Growth Link without Hardware, Standard - Left	1	2
2		3000635-NLA	NLA - Growth Link without Hardware, Standard - Right	1	2
2		3000627-NLA	NLA - Growth Link without Hardware, Heavy Duty - Left	1	2
2		3000628-NLA	NLA - Growth Link without Hardware, Heavy Duty - Right	1	2
3		1100023	Screw, Button Head w/ Patch (1/4-20 x 1/2")	1	10
4		1100039	Washer (1/4 x 9/16 x 1/16")	1	10
5		3000242-NLA	NLA - Backing Plate, 2 Position, 1" Spacing	1	4
	A,B	3000629-NLA	NLA - Growth Link Hardware	1	1
NOTE: A - Not Shown B - Includes items 3-5					

# PinDot ContourU Dial Links GL10 Interfacing Hardware Package



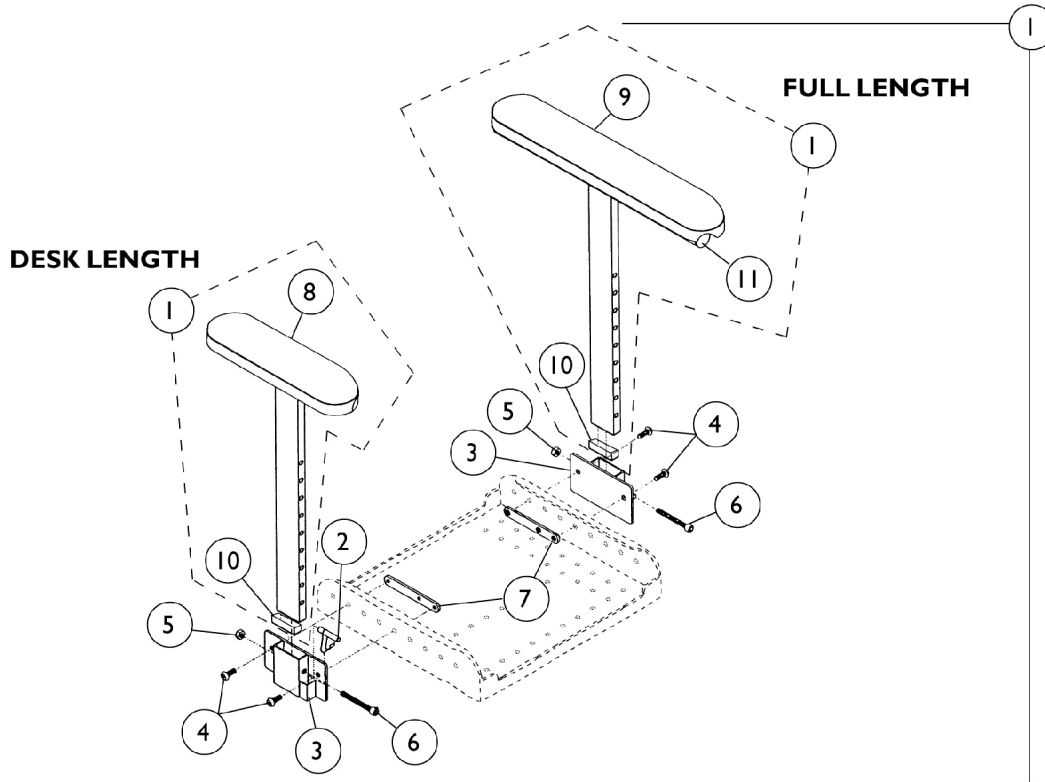
## PinDot ContourU Dial Links GL10 Interfacing Hardware Package

Item Number	Note	Part Number	Description	Quantity Per	
				Package	Assembly
1		GL10	Dial Link Assemblies with Hardware (Pair)	2	1
2		3002325-NLA	NLA - Dial Link Assembly without Hardware - Left	1	1
2		3002326-NLA	NLA - Dial Link Assembly without Hardware - Right	1	1
3		1100023	Screw, Button Head w/ Patch (1/4-20 x 1/2")	1	12
4	A	3000243-NLA	NLA - Backing Plate, 3 Position, 1" and 3" Spacing	1	4

NOTE: A - No Longer Available individually. Refer to Assembly GL10 for replacement.

# PinDot ContourU Arm Rests

## AR20 and AR24 Interfacing Hardware

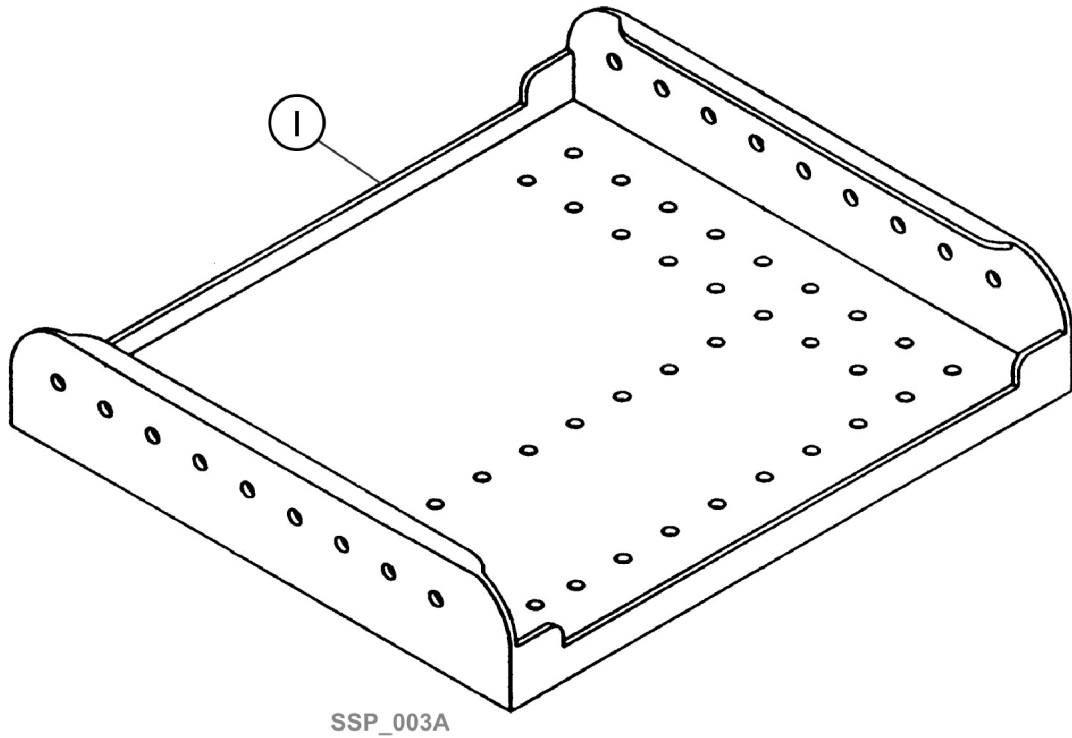


## PinDot ContourU Arm Rests AR20 and AR24 Interfacing Hardware

Item Number	Note	Part Number	Description	Quantity Per	
				Package	Assembly
1		AR20-NLA	NLA - Armrests with Hardware, Desk Length	2	1
1		AR24-NLA	NLA - Armrests with Hardware, Full Length	2	1
1	A	3000453-NLA	NLA - Kit, Armrest, Desk Length - Right/Left	1	2
1	A	3000452-NLA	NLA - Kit, Armrest, Full Length - Right/Left	1	2
2		1200024	Clip, Spring	1	2
3		3000759	Receptacle, Arm Post	1	2
4		1100020-NLA	NLA - Screw, Socket Button Head (1/4-20 x 5/8")	1	4
5		1100084-NLA	NLA - Locknut, Nylon (1/4-20)	1	2
6		1100090-NLA	NLA - Screw, Socket Head (1/4-20 x 2")	1	2
7	B	3000243-NLA	NLA - Backing Plate, 3 Position, 1" and 3" Spacing	1	2
8		1110817	Kit, Arm Pad w/ Screws, Desk Length, Urethane Waterfall, Black (9" L x 2-5/8" W) (Pair)	2	1
9		3000233-NLA	NLA - Pad, Armrest, Full Length	1	2
10		1200033-NLA	NLA - Plug Button, Rectangular, Black (1-1/2 x 1/2")	1	4
11		1200034	Plug Button, Round, Black (7/8")	1	4

NOTE: A - Includes: Post, items 8 or 9, and items 10-11.  
B - No Longer Available individually. Refer to Part # AR20 or AR24 for replacement.

# PinDot ContourU Seat Pans

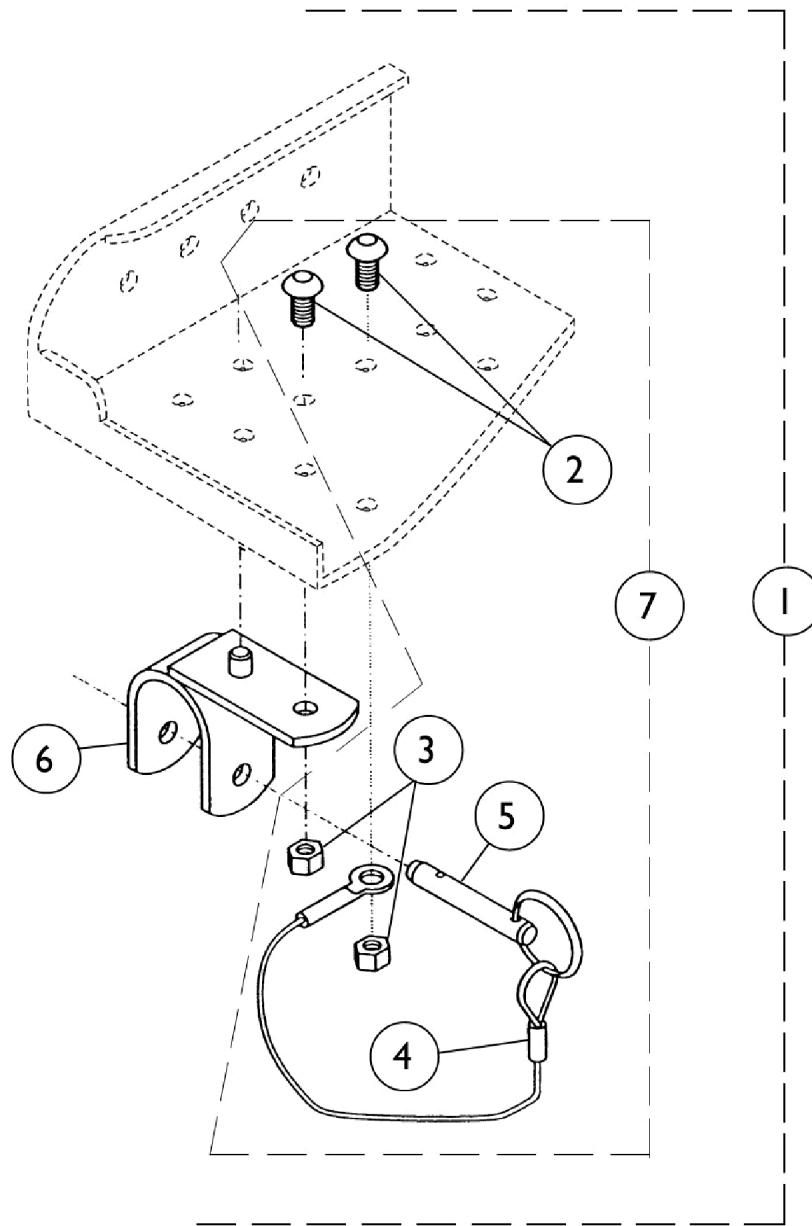


Item Number	Note	Part Number	Description	Quantity Per	
				Package	Assembly
1		3901718	Seat Pan, ContourU (17" W X 18" D)	1	1
1		3901719	Seat Pan, ContourU (17" W X 19" D)	1	1



# PinDot ContourU Pan Mounting Brackets

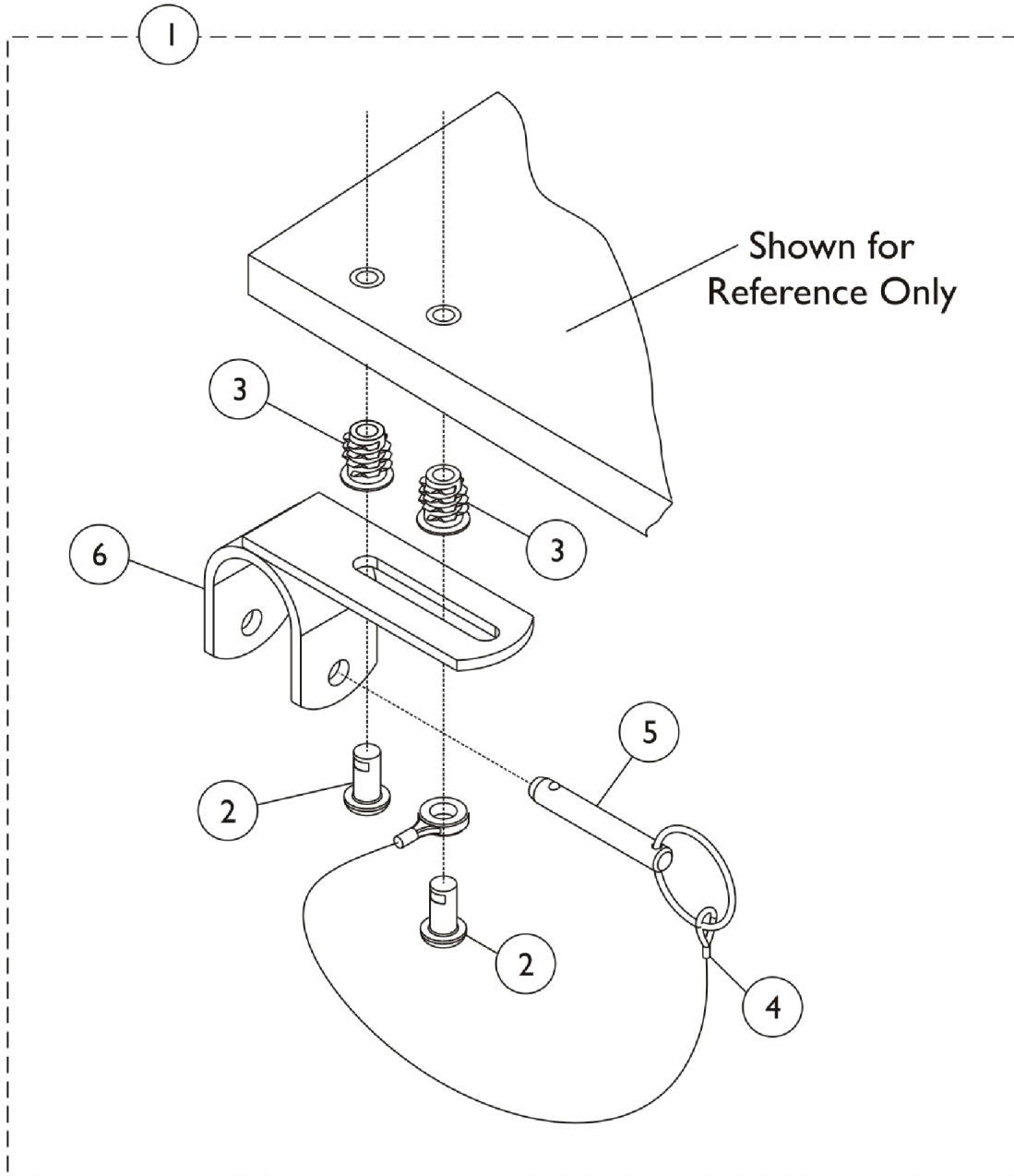
## MB04P and MB12P Interfacing Hardware Package



## PinDot ContourU Pan Mounting Brackets MB04P and MB12P Interfacing Hardware Package

Item Number	Note	Part Number	Description	Quantity Per	
				Package	Assembly
1	B	MB04P	Hardware, Interfacing (1") (Pair)	2	2
1	B	MB12P	Hardware, Interfacing (7/8") (Pair)	2	2
2		1100023	Screw, Button Head w/ Patch (1/4-20 x 1/2")	1	4
3		15108X000	Locknut (1/4-20)	1	4
4		1200012-NLA	NLA - Lanyard	1	2
5		1200029-NLA	NLA - Pin, Detent with Ring (1/4" x 1 1/8")	1	2
6	D	3002237	Bracket, Pan Mounting, Black (1")	1	4
6	E	3002234	Bracket, Pan Mounting, Black (7/8")	1	4
7	C	3003068-NLA	NLA - Hardware, Pan Mounting	1	4
	A	0900114-NLA	NLA - Instruction Sheet, Pan Mounting Bracket	1	1
NOTE: A - Not Shown B - Includes items 6-7 and Instruction Sheet C - Includes items 2-5 D - Used on MB04P only E - Used on MB12P only					

# PinDot ContourU Wood Mounting Brackets MB03P and MB06P Interfacing Hardware Package

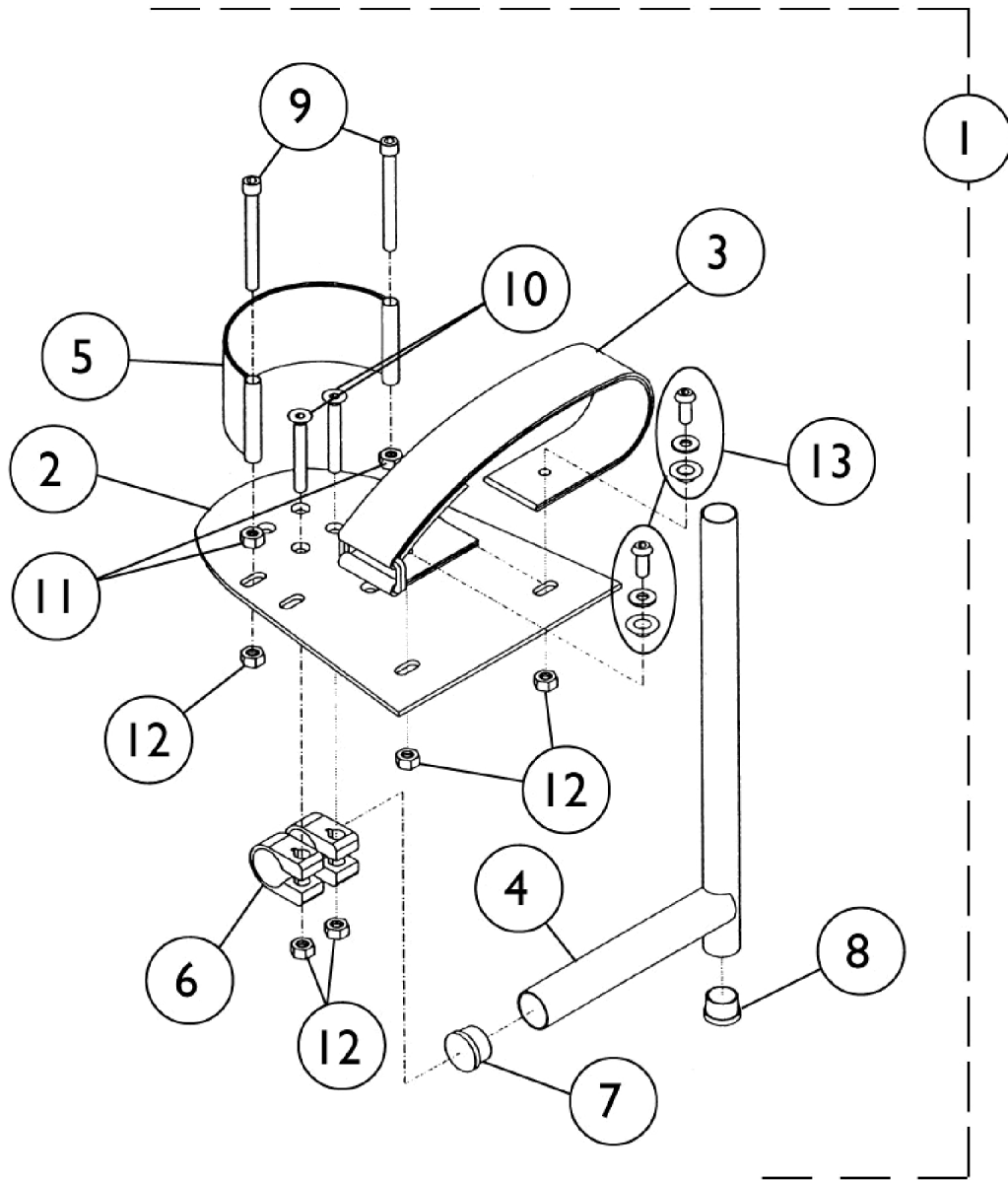


## PinDot ContourU Wood Mounting Brackets MB03P and MB06P Interfacing Hardware Package

Item Number	Note	Part Number	Description	Quantity Per	
				Package	Assembly
1	B	MB06P	Hardware, Interfacing (1") (Pair)	2	2
1	B	MB03P	Hardware, Interfacing (7/8") (Pair)	2	2
	A,C	3003067-NLA	NLA - Hardware, Wood Mounting	1	1
2		1100023	Screw, Button Head w/ Patch (1/4-20 x 1/2")	1	8
3		1100415	Insert, Threaded (1/4-20")	1	8
4		1200012-NLA	NLA - Lanyard	1	4
5		1200029-NLA	NLA - Pin, Detent with Ring (1/4" x 1 1/8")	1	4
6	D	3002235	Bracket, Wood Mounting, Black (1")	1	4
6	E	3002236	Bracket, Wood Mounting, Black (7/8")	1	4
NOTE: A - Not Shown B - Includes item 6, Instruction Sheet, and Wood Mounting Hardware. C - Includes items 2-5. D - MB06P Only. E - MB03P Only.					

# PinDot ContourU Adjustable Footrests

## LB07 and LB08 Interfacing Hardware



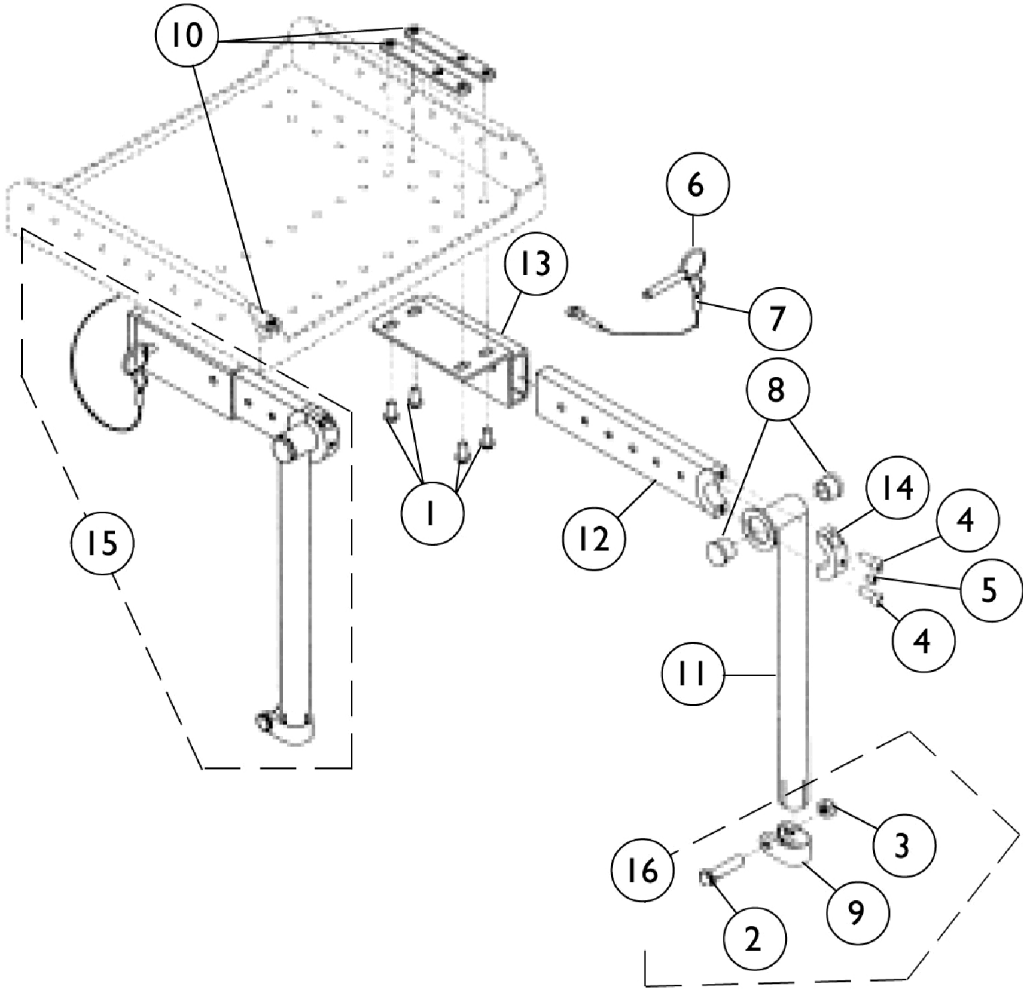
## PinDot ContourU Adjustable Footrests LB07 and LB08 Interfacing Hardware

Item Number	Note	Part Number	Description	Quantity Per	
				Package	Assembly
1	B	3001275-NLA	NLA - Adjustable Footrest Assembly - Small - LB07 (Pair)	2	1
1	B	1090100-NLA	NLA - Footrest Assembly, Adjustable, Small, Single - Right	1	1
1	B	1090101-NLA	NLA - Footrest Assembly, Adjustable, Small, Single - Left	1	1
1	B	3001264-NLA	NLA - Adjustable Footrest Assembly - Large - LB08 (Pair)	2	1
1	B	1090102-NLA	NLA - Footrest Assembly, Adjustable, Large, Single - Right	1	1
1	B	1090103-NLA	NLA - Footrest Assembly, Adjustable, Large, Single - Left	1	1
2		3000731	NLA - Plate, Foot - Small (4-25/32" W x 6-1/8" L)	1	1
2		3000732-NLA	NLA - Plate, Foot - Large (6-1/8" W x 8" L)	1	1
3		3001272-NLA	NLA - Strap, Ankle, LB07, Small	1	2
3		3001258-NLA	NLA - Strap, Ankle, LB08, Large	1	2
4		3001261-NLA	NLA - Pivot/Slide Tube Assembly with Plug Buttons, Chrome	1	2
5		3000966	Heel Loop, Small (2" W x 5-3/4" L) - LB07	1	2
5		3000967	Heel Loop - Large - Right/Left (2" W x 6-7/8" L) - LB08	1	2
6		47311X001-NLA	NLA - Clamp (7/8")	1	2
7		1200034	Plug Button, Round, Black (7/8")	1	2
8		1200036	Plug Button, Round, Black (3/4")	1	2
9		1100091-NLA	NLA - Screw, Socket Head (1/4-20 x 2-1/2")	1	2
10		1100208-NLA	NLA - Screw, Socket Flat Head (1/4-20 x 1-3/4")	1	2
11		1100030-NLA	NLA - Nut, Hex (1/4-20)	1	2
12		1100084-NLA	NLA - Locknut, Nylon (1/4-20)	1	6
13		1100209-NLA	NLA - Eyelet, Grommet and Washer	1	2
	A	1100039	Washer (1/4 x 9/16 x 1/16")	1	4

NOTE: A - Not Shown  
B - Includes items 2-13

# PinDot ContourU Adjustable Legrest Tops

## LT06 Interfacing Hardware



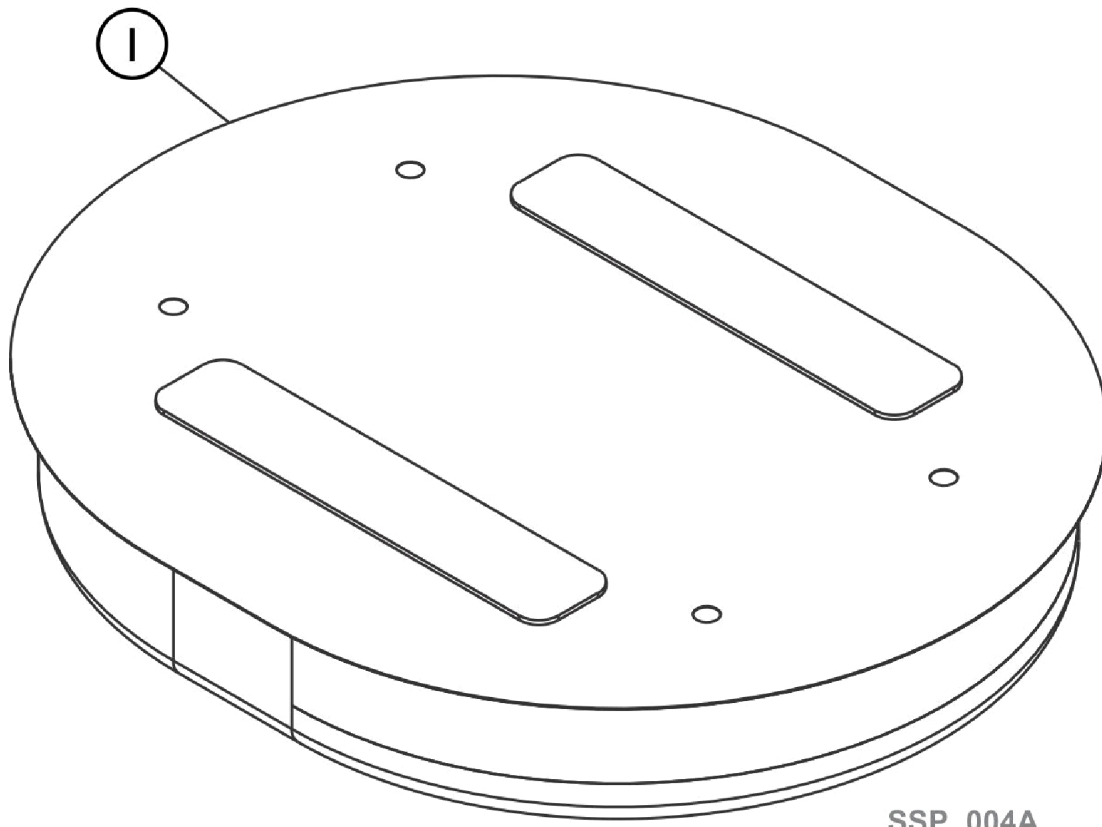
## PinDot ContourU Adjustable Legrest Tops LT06 Interfacing Hardware

Item Number	Note	Part Number	Description	Quantity Per	
				Package	Assembly
1		1091870	Screw, Socket Button Head w/ Patch (1/4-20 x 3/4")	1	8
2		1100168-NLA	NLA - Bolt, Clamp (5/16-24 x 1-3/8")	1	2
3		1100169-NLA	NLA - Locknut (5/16-24")	1	2
4		1100175-NLA	NLA - Screw, Socket Head (1/4-28 x 5/8")	1	4
5		1100191-NLA	NLA - Screw, Set Socket Cone Point (1/4-20 x 5/16")	1	2
6		1200011-NLA	NLA - Pin, Detent with Ring (1/4" x 7/8")	1	2
7		1200012-NLA	NLA - Lanyard	1	2
8		1200036	Plug Button, Round, Black (3/4")	1	4
9		47311X001-NLA	NLA - Clamp (7/8")	1	2
10	C	3000243-NLA	NLA - Backing Plate, 3 Position, 1" and 3" Spacing	1	4
11		3000752-NLA	NLA - Tube, Legrest, Chrome	1	2
12		3000753-NLA	NLA - Tube, Slide, Chrome	1	2
13		3000755	Bracket, Slide, Chrome	1	2
13	A	3000401-NLA	NLA - Slide Bracket Assembly, Chrome	1	2
14		3000802-NLA	NLA - Collar, Half, Non-Threaded	1	2
15		3000757	Legrest Support Assemblies, Chrome (Pair)	2	1
15		3000400-NLA	NLA - Legrest Support Assembly, Chrome - Right or Left	1	2
16	B	3001249-NLA	NLA - Clamp Assembly, Lock Nut	1	2

NOTE: A - Includes items 1, 10, and Bracket.  
 B - Includes items 2, 3, and 9.  
 C - No Longer Available individually. See part # 3000401 for replacement.



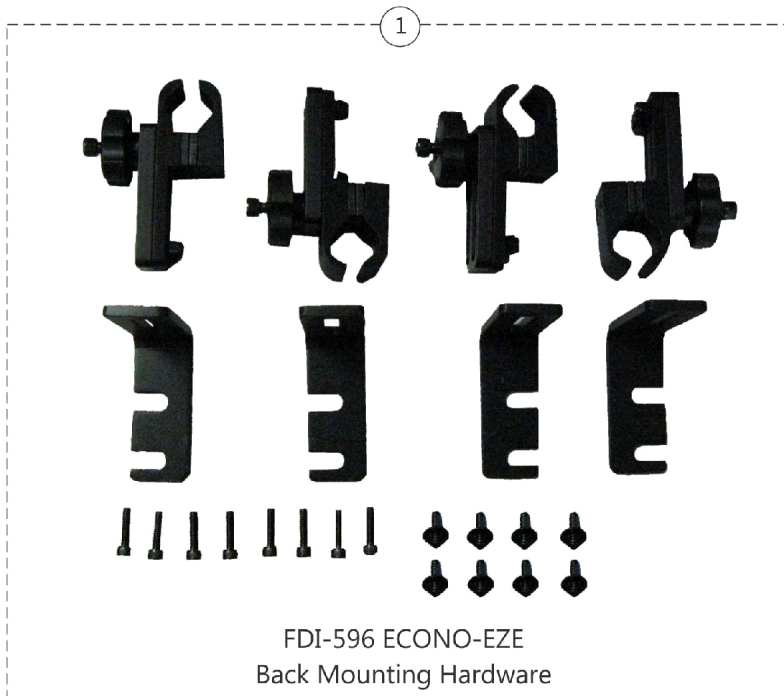
# Pindot ContourU and Silhouette Infinity Gel Bag Assembly Model CM30GLG



Item Number	Note	Part Number	Description	Quantity Per	
				Package	Assembly
1	A,B	1081472	Infinity Gel Bag Assembly, Large	1	1
NOTE: A - Accommodates widths from W165 (16-1/2" Wide) through W265 (26-1/2" Wide) B - NOTE: CM30GSM Infinity Gel Bag Assembly-Small (1087382) is not available.					

# PinDot ContourU and Silhouette Back and Seat Mounting Hardware

FDI-596 ECONO-EZE and FDI-538 ECONO-EZE Hardware can be used on 7/8" or 1" Tubing

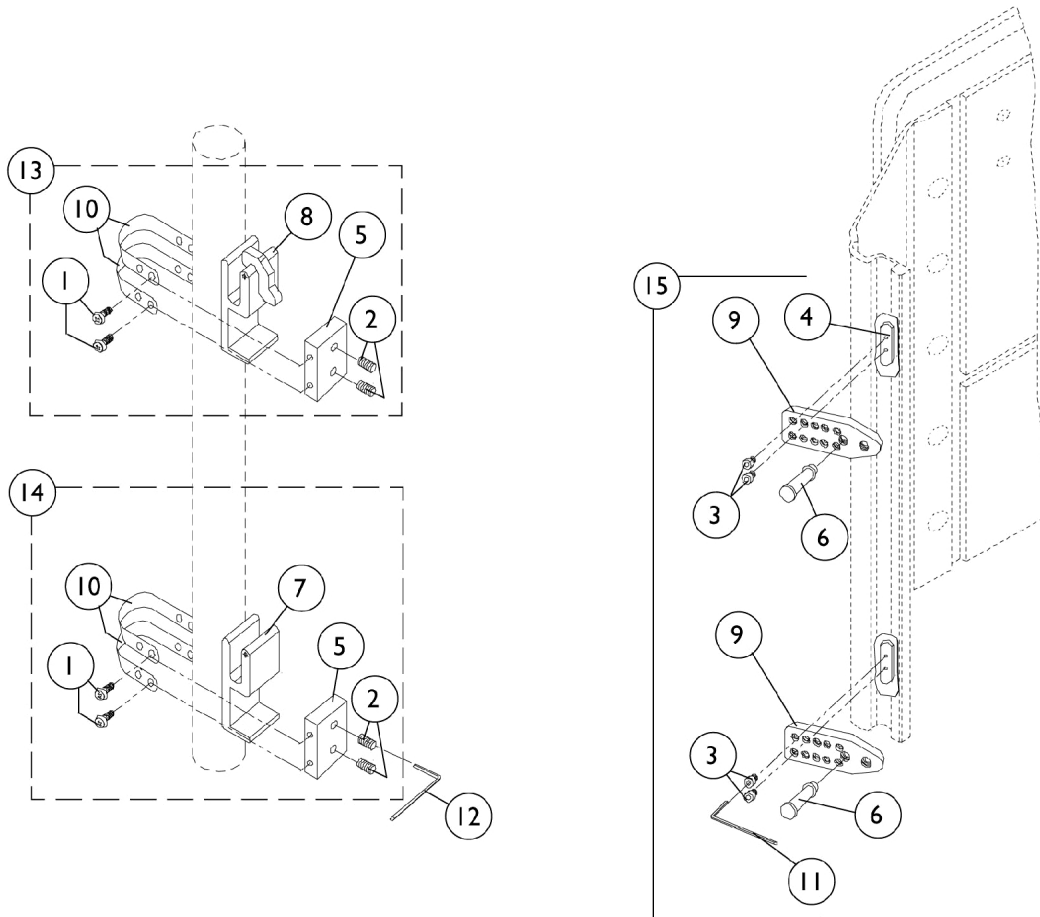


# PinDot ContourU and Silhouette Back and Seat Mounting Hardware

**FDI-596 ECONO-EZE and FDI-538 ECONO-EZE Hardware can be used on 7/8" or 1" Tubing**

Item Number	Note	Part Number	Description	Quantity Per	
				Package	Assembly
1	A	1161006-NLA	NLA - Hardware, FDI-596 ECONO-EZE Back Mounting	1	1
2	B	1161007-NLA	NLA - Hardware, FDI-538 ECONO-EZE Back and Seat Mounting	1	1
NOTE: A - Hardware comes complete with hardware shown. Individual components are non-saleable. Used for Contour U and Silhouette Backs only. B - Hardware comes complete with hardware shown. Individual components are non-saleable. Used for Contour U and Silhouette Backs and Seats.					

# PinDot Silhouette Back Mounting Hardware SMB01

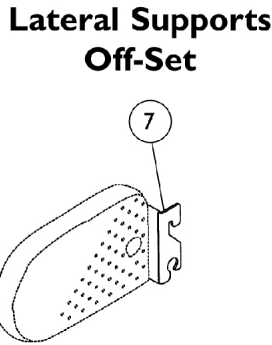
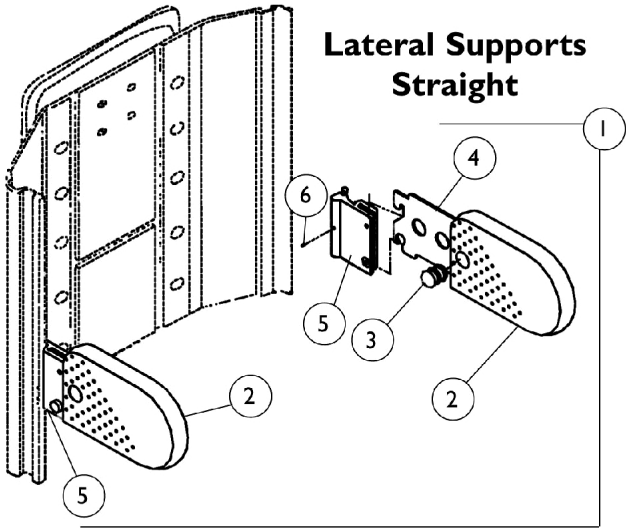


## PinDot Silhouette Back Mounting Hardware SMB01

Item Number	Note	Part Number	Description	Quantity Per	
				Package	Assembly
1		1100380-NLA	NLA - Screw, Phillips Pan Head (#8-32 x 1/4")	1	16
2		1100381	Screw, Set Socket Cup Point (#10-32 x 1/2")	1	8
3		1100382	Screw, Socket Head (#8-32 X 1/4")	1	8
4		3002713	Nut, Mounting - 2 Hole (11/32" x 1-1/2")	1	4
5		3002719-NLA	NLA - Clamp Block, Universal	1	4
6		3002721	Pin, Quick Release	1	4
7		3002751-NLA	NLA - Clamp Base, Universal	1	2
8		3002752-NLA	NLA - Base, Quick Lock, Universal	1	2
9		3002899-NLA	NLA - Bracket, Adjustable Mounting, Black	1	4
10	D	See Note	See Footnote	1	8
11		4000031-NLA	NLA - Wrench, Allen (9/64")	1	1
12		4000032-NLA	NLA - Wrench, Allen (3/32")	1	1
13	A	3003069-NLA	NLA - Quick Lock Clamp Assembly	1	2
14	B	3003070-NLA	NLA - Clamp Assembly, Universal	1	2
15	C	1097018	Kit, Back Bracket Adjustable Mounting	1	1

NOTE: A - Includes items 1-2, 5, 8, 10 and Instructions  
 B - Includes items 1-2, 5, 7, 10 and Instructions  
 C - Includes items 3-4, 6, 9, 11 and Instructions  
 D - Universal Clamp Strap is no longer available as a service part.

# PinDot Silhouette Lateral Supports and Inserts

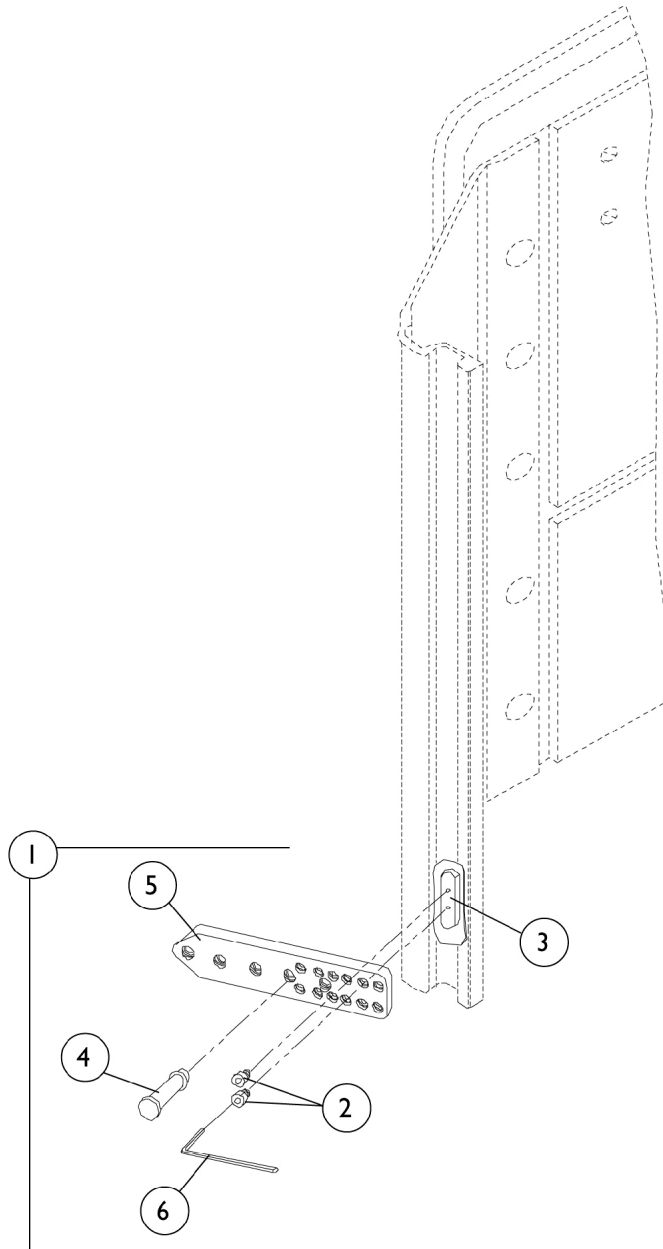


## PinDot Silhouette Lateral Supports and Inserts

Item Number	Note	Part Number	Description	Quantity Per	
				Package	Assembly
1	B	3002991	Kit, Lateral Support, Straight - Right	1	1
1	B	3003021	Kit, Lateral Support, Straight - Left	1	1
2		3002777	Pad, Lateral Support	1	2
3		3002746	Plug, Lateral Support	1	2
4	D	3002743	Bracket, Lateral Insert, Straight (Identical for Right and Left Lateral Supports)	1	1
5		3002757	Lateral Mount Assembly - Right (Includes: Set Screw, Lock Button, Lock Pin, Lateral Mount and Spring)	1	1
5		3002756	Lateral Mount Assembly - Left (Includes: Set Screw, Lock Button, Lock Pin, Lateral Mount and Spring)	1	1
6		1100385-NLA	NLA - Screw, Set Socket Dog Point (#10-32 x 1/4")	1	2
7		3002802-NLA	NLA - Bracket, Lateral Insert Offset - Right (1/2")	1	1
7		3002803-NLA	NLA - Bracket, Lateral Insert Offset - Left (1/2")	1	1
7		3002804-NLA	NLA - Bracket, Lateral Insert Offset - Right (1")	1	1
7		3002805-NLA	NLA - Bracket, Lateral Insert Offset - Left (1")	1	1
7		3002874-NLA	NLA - Bracket, Lateral Insert Offset - Right (1-1/2")	1	1
7		3002875-NLA	NLA - Bracket, Lateral Insert Offset - Left (1-1/2")	1	1
	A,C	3002992-NLA	NLA - Kit, Lateral Supports Offset - Right (1/2")	1	1
	A,C	3003022-NLA	NLA - Kit, Lateral Supports Offset - Left (1/2")	1	1
	A,C	3002993-NLA	NLA - Kit, Lateral Supports Offset - Right (1")	1	1
	A,C	3003023-NLA	NLA - Kit, Lateral Supports Offset - Left (1")	1	1
	A,C	3002994-NLA	NLA - Kit, Lateral Supports Offset - Right (1-1/2")	1	1
	A,C	3003024-NLA	NLA - Kit, Lateral Supports Offset - Left (1-1/2")	1	1
	A	3002801-NLA	NLA - Kit, Lateral Lockout (Includes: Instructions and Washers)	1	1

NOTE: A - Not Shown  
 B - Includes items 2-6 and Instruction Sheet.  
 C - Includes items 2-3, 5, 7 and Instruction Sheet and Lateral Cover (not shown).  
 D - Identical for Right and Left Lateral Supports.

# PinDot Silhouette Extended Mounting Bracket





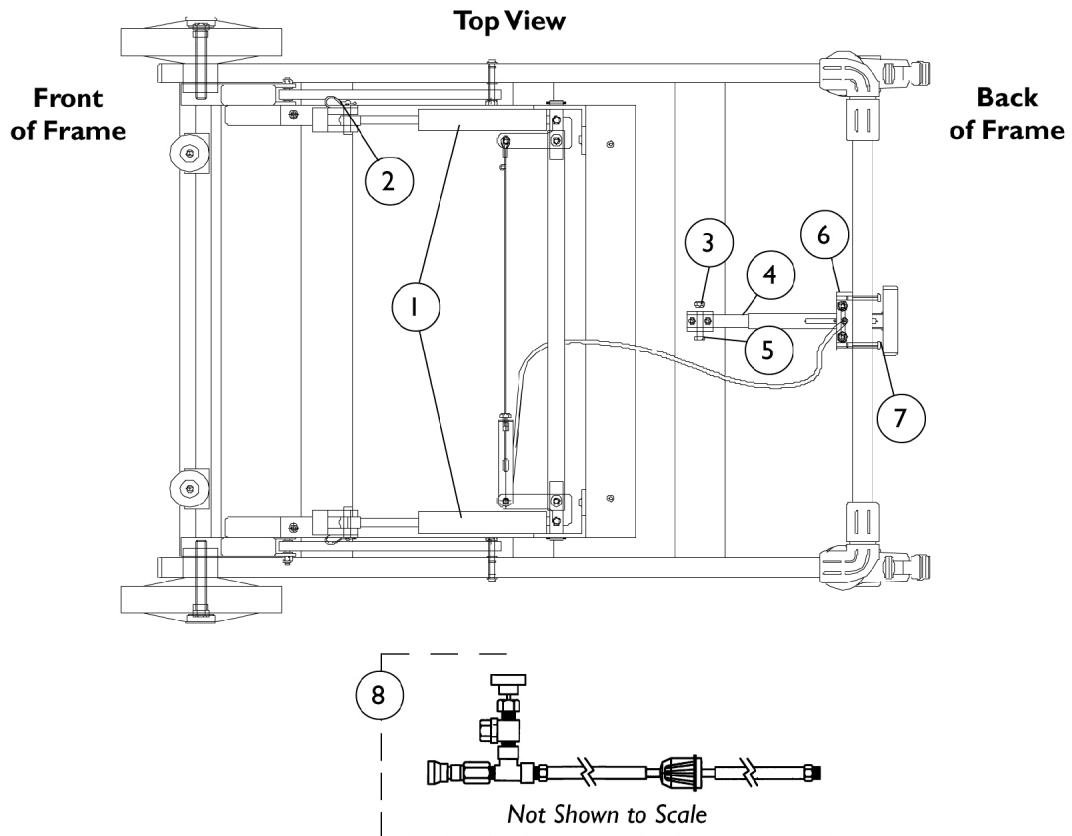
## PinDot Silhouette Extended Mounting Bracket

Item Number	Note	Part Number	Description	Quantity Per	
				Package	Assembly
1	A	3003065-NLA	NLA - Kit, Mounting Brackets, Extended (Pair)	2	1
2		1100382	Screw, Socket Head (#8-32 X 1/4")	1	4
3		3002713	Nut, Mounting - 2 Hole (11/32" x 1-1/2")	1	2
4		3002721	Pin, Quick Release	1	2
5		3002900-NLA	NLA - Bracket, Extended Mounting	1	2
6		4000031-NLA	NLA - Wrench, Allen (9/64")	1	1

NOTE: A - Includes items 2-6 and Instruction Sheet

# PinDot Silhouette Shape Sensor and (ContourU Base Before 9/1/09)

For assistance on ContourU Bases manufactured after 8/31/09 contact PinDot Customer Service at 1-800-451-3553.



# PinDot Silhouette Shape Sensor and (ContourU Base Before 9/1/09)

For assistance on ContourU Bases manufactured after 8/31/09 contact PinDot Customer Service at  
1-800-451-3553.

Item Number	Note	Part Number	Description	Quantity Per	
				Package	Assembly
1		3002812-NLA	NLA - Kit, Gas Cylinder Base (Includes: Cylinder (P550 Complete), Cable Assembly, Cross Tube, Pivot Bar, Retaining Ring, Cable Bracket, Cylinder Bracket and Hardware)	1	1
2		3002882-NLA	NLA - Kit, Base Gas Spring Bag Assembly (Includes: Clevis Pin, Hairpin, Pelvic Strap, Hardware and Instructions)	1	1
3		1100084-NLA	NLA - Locknut, Nylon (1/4-20)	1	3
4		3002866-NLA	NLA - Base Foot Assembly	1	1
5		1100046	Screw, Hex Head (1/4-20 x 1-1/4")	1	1
6		3002881-NLA	NLA - Base Lever Retainer Assembly	1	1
7		1100133	Screw, Socket Button Head (1/4-20 x 1-1/2")	1	4
8	B	3002184	Valve and Hose Assembly	1	2
	A	3001735-NLA	NLA - Hose Assembly, Male (4")	1	1
	A	3003002-NLA	NLA - Knob, Nylon (5/16-18 x 1/2")	1	2
	A	3003004-NLA	NLA - Knob, Nylon (5/16-18)	1	1
NOTE: A - Not Shown B - Drawing is not shown to scale.					

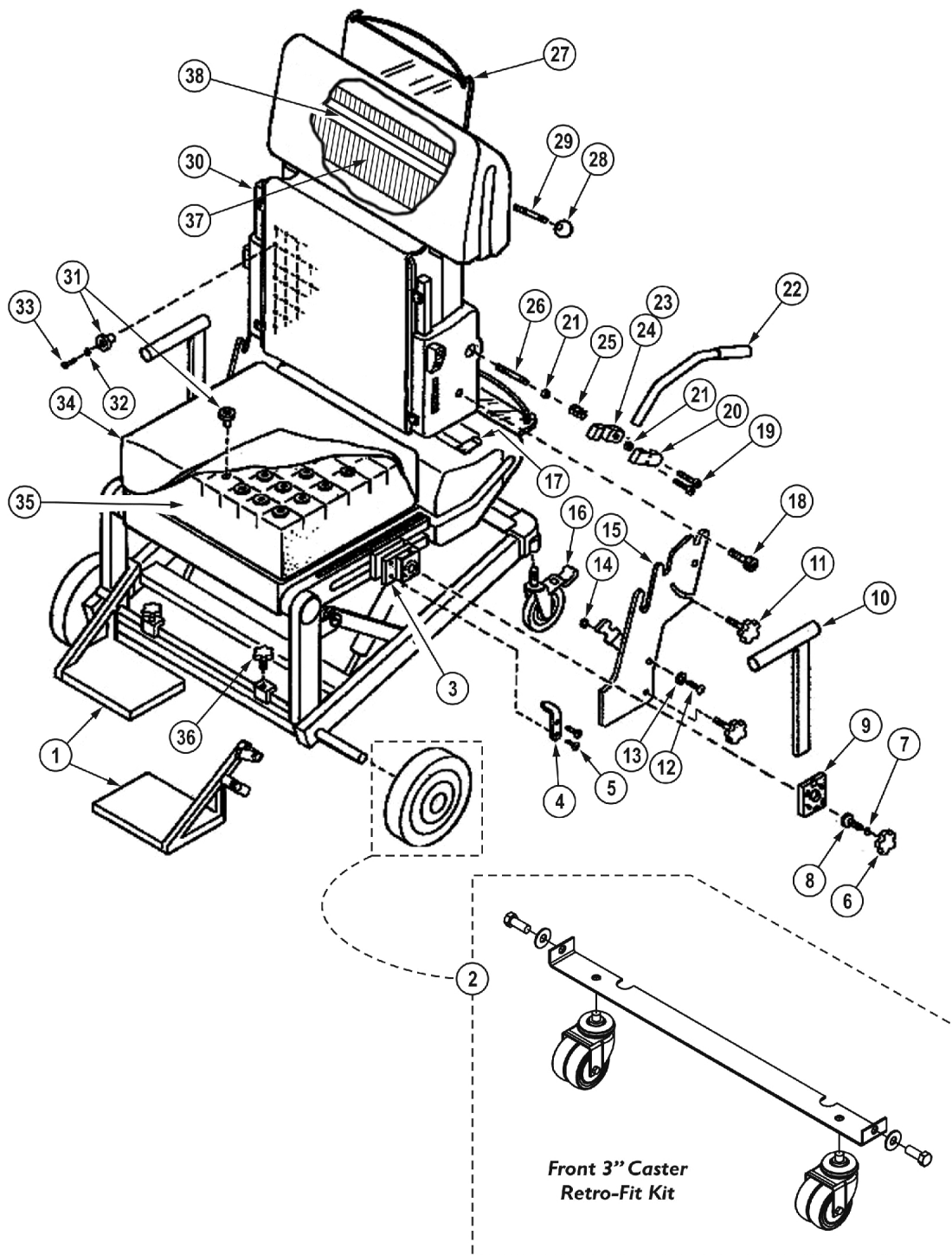
## PinDot Silhouette Shape Sensor and ContourU Accessories

Item Number	Note	Part Number	Description	Quantity Per	
				Package	Assembly
	A	3002224-NLA	NLA - Pellets Assembly	1	2
	A	4000006-NLA	NLA - Pencil, Indelible	1	1
	A	4000001-NLA	NLA - Goniometer	1	1
	A	4000000-NLA	NLA - Curve, Flexible	1	1
	A	3001729-NLA	NLA - Tool, Marking	1	1
	A	1310082	Theraputty	1	1
	A	1100298-NLA	NLA - Wrench, Allen, 9 Piece Folding	1	1
	A	SM60	Package, Plaster Roll (5 x 50")	12	1
	A	MF04	Pellets, Polyethylene (25 lbs)	1	3
	A	1160582	Seat Bag Assembly, Latex Free Rubber	1	1
	A	1160583	Back Bag Assembly, Latex Free Rubber	1	1
	A,C	3001456	Data Forms, Seat	1	10
	A,C	3002470	Data Forms, Back	1	10
	A,B	3002254-NLA	NLA - Clamp Bar Assembly, Vertical	1	2
	A,B	3002255-NLA	NLA - Clamp Bar Assembly, Horizontal, Long	1	1
	A,B	3002256-NLA	NLA - Clamp Bar Assembly, Horizontal, Short	1	1
	A	3002597-NLA	NLA - Plate, Pivot Tube	1	1
	A,B	SB05	Strap, Pelvic, Unpadded	1	1

NOTE: A - Not Shown  
 B - Used Before 9/1/09 for ContourU only..  
 C - Silhouette Shape Sensor

# PinDot Silhouette Shape Sensor and (ContourU Before 9/1/09) Hardware

For assistance on ContourU Hardware manufactured after 8/31/09 contact Pindot Customer Service at 1-800-451-3553.



# PinDot Silhouette Shape Sensor and (ContourU Before 9/1/09) Hardware

For assistance on ContourU Hardware manufactured after 8/31/09 contact Pindot Customer Service at  
1-800-451-3553.

Item Number	Note	Part Number	Description	Quantity Per	
				Package	Assembly
1	C	3002085-NLA	NLA - Footrest Assembly - Left	1	1
1	C	3002086-NLA	NLA - Footrest Assembly - Right	1	2
2	E	1163427-NLA	NLA - Kit, Front 3" Dual Swivel Caster Retro-Fit	1	1
			Caster, Swivel Dual (3")	1	2
			Bar, Caster, Silver	1	1
			Screw, Hex Head (1/2-13 x 1-1/4")	1	2
			Washer, Steel (1/2 x 1-1/4 x 1/16")	1	2
3		3001878-NLA	NLA - Bracket, Height Adjustable, Silver	1	2
4		3001836-NLA	NLA - Seat, Depth Pointer	1	2
5		1100046	Screw, Hex Head (1/4-20 x 1-1/4")	1	2
6		3001868-NLA	NLA - Knob Washer Assembly	1	4
7		1200157-NLA	NLA - O-Ring (11/32 x 7/32 x 1/16")	1	2
8		1100259-NLA	NLA - Screw, Hex Head (5/16-18 x 1/2")	1	2
9		3001280-NLA	NLA - Plate, Friction	1	2
10		3002926-NLA	NLA - Armrest	1	1
11		3003003-NLA	NLA - Knob, Nylon (5/16-18 x 1")	1	4
12		1009838	Screw, Socket Button (1/4-20 x 3/4")	1	2
13		1100039	Washer (1/4 x 9/16 x 1/16")	1	4
14		1100084-NLA	NLA - Locknut, Nylon (1/4-20)	1	2
15		3002573-NLA	NLA - Plate, Side	1	2
16	B	1110961-NLA	NLA - Caster, Dual Lock (5")	1	2
16	B	1110962-NLA	NLA - Casters, Dual Lock (5")	2	1
16	D	1110425-NLA	NLA - Kit, Caster 5" Swivel with Brake	2	1
16		1123548	Caster Assembly, Swivel w/ Brake (5")	1	2
17		3002631-NLA	NLA - Handle Assembly, Seat, Black	1	2
18		1100379-NLA	NLA - Screw, Shoulder Hex Socket Head (1/2 x 1/2", 7/16-24)	1	2
19		1100027-NLA	NLA - Screw, Socket Head (1/4-20 x 7/8")	1	1
20		3002661-NLA	NLA - Lever, Clamp, Silver - Top	1	2
21		1200120-NLA	NLA - Collar, One Piece (41/64" Dia.)	1	1
22		3002645-NLA	NLA - Lever Handle Assembly	1	1
23		1100362-NLA	NLA - Screw, Set Socket Cone Point (#8-32 x 5/8")	1	1
24		3002662	Lever, Clamp, Silver - Bottom	1	1
25		1250035-NLA	NLA - Spring, Compression (27/32 x 1-1/4 x 3/64")	1	1
26		3003001-NLA	NLA - Lever Pivot	1	1
27	A	3001790-NLA	NLA - Imprint Data Board Assembly	1	1
28		1200103-NLA	NLA - Knob, Ball (1-7/8" OD 5/16" Thread)	1	1
29		3002117-NLA	NLA - Stud Imprint Handle, Finished	1	1
30		3002563-NLA	NLA - Cover, Back, Printed	1	1
31		3001287	Cap, Sensor	1	100
32		3002648-NLA	NLA - Grommet, Spur	1	100

# PinDot Silhouette Shape Sensor and (ContourU Before 9/1/09) Hardware

For assistance on ContourU Hardware manufactured after 8/31/09 contact PinDot Customer Service at 1-800-451-3553.

Item Number	Note	Part Number	Description	Quantity Per	
				Package	Assembly
33		1100373-NLA	NLA - Screw, Phillips Flat Head Tap (#8-1/4)	1	100
34		3001795-NLA	NLA - Cover, Cushion	1	1
35		3001794-NLA	NLA = Cushion, Foam Measuring	1	1
36		1200124-NLA	NLA - Knob, Plastic, Black	1	2
37		3001455-NLA	NLA - Abacus Guide Rod	1	102
38		3002116-NLA	NLA - Imprint Crossbar	1	1
<p>NOTE: A - Need 2 for Seat and Back.            B - If replacing casters on chairs built before March 1, 2002, refer to part number 1123548 and order 2 ea.            C - After 2/23/07 the Footrest Assembly Pt # 3002086 was manufactured to be used as a RT or LT side.            D - Caster Kit part number 1110425 is no longer available. refer to part number 1123548 and order 2 ea.            E - 8" Wheel is no longer available. Order Retro-Fit kit part number 1163427 as a direct replacement. Includes the casters, caster bar and mounting hardware.</p> <p>Items 1-16 and 18 used for Silhouette Shape Sensor and (ContourU Before 9/1/09). Items 17 and 19-38 used for Silhouette Shape Sensor only.</p>					

**Invacare Corporation**

[www.invacare.com](http://www.invacare.com)



**Yes, you can.**

One Invacare Way  
Elyria, Oh USA  
44036-2125  
800-333-6900

Technical Support  
800-832-4707  
Florida Technical Support  
407-321-5630

Customer Service  
800-333-6900

© 2022 Invacare Corporation. All rights reserved. Republication, duplication or modification in whole or in part is prohibited without prior written permission from Invacare. Trademarks are identified by <sup>TM</sup> and ©. All trademarks are owned by or licensed to Invacare Corporation or its subsidiaries unless otherwise noted. (Revised 06/21/22)

Form No. 92-38