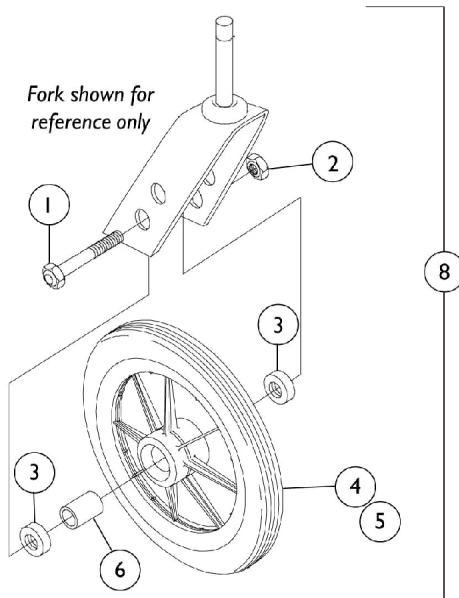
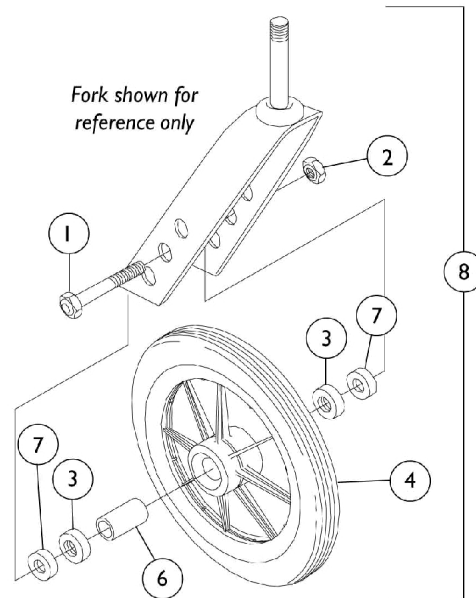


# Casters - 6" and 8"

**THE PRODUCTION OF THE HTR IS CURRENTLY SUSPENDED AND SOME SERVICE PARTS MAY NOT BE AVAILABLE TO ORDER.**



**8" Caster**



**6" Caster**

Item Number	Note	Part Number	Description	Quantity Per	
				Package	Assembly
1	C	57667P007	Screw, Hex Head (7/16-20 x 3-1/4")	1	1
1	D	7930362	Package, Screw, Hex Head (5/16-24 x 2-1/4" )	25	1
2	C	1045608	Locknut (7/16-20)	1	1
2	D	7930363-NLA	NLA - Package, Locknut (5/16"-24)	25	1
3	C	1010810	Bearing, Flange (7/16")	1	2
3	D	40117X026	Bearing, Flange (5/16")	1	2
4	B	1058648	Wheel Assembly, Composite Solid Rubber (8" x 1")	1	1
4	A,B	1026956	Wheel Assembly, Composite Urethane, Light Grey (6" x 1")	1	1
5		1040144	Tire, Composite Solid Rubber, Grey (8" x 1")	1	1
6	C	1017828	Spacer (7/16 x 15/32 x 1-5/8")	1	1
6	D	1026172	Spacer (5/16 x 7/16 x 15/32")	1	1
7		1053202	Spacer (5/16 x 7/16 x 1/4")	1	2
8	C	430054	Kit, Wheel with Hardware (8" x 1") (Pair)	2	1
8	D	1088017	Kit, Wheel with Hardware (6" x 1")	1	1

NOTE: A - Tire is molded to the wheel, it is not sold separately.  
 B - Includes: Wheel, Tire and Bearings.  
 C - Used for 8" Caster.  
 D - Used for 6" Caster.