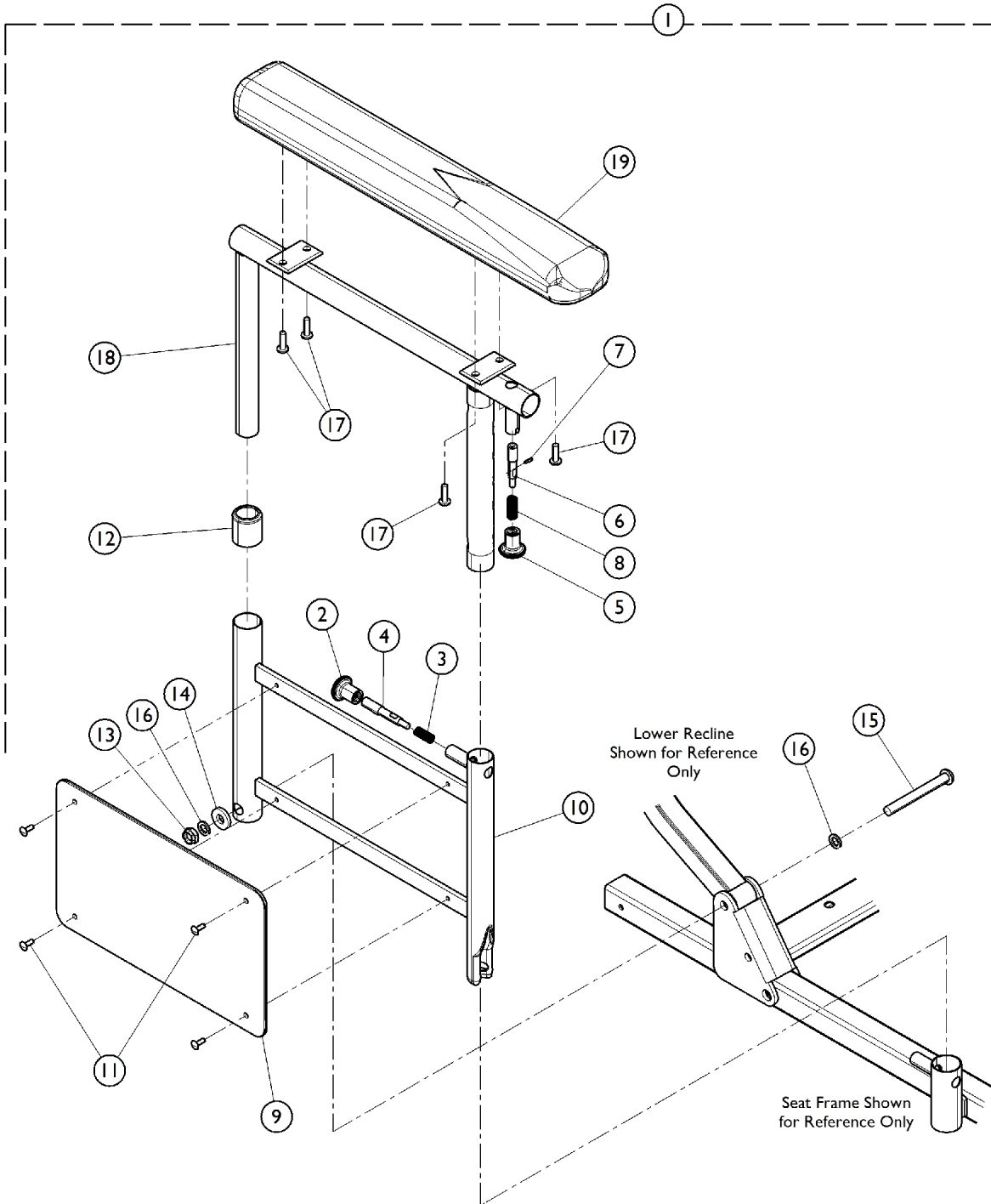


Arms

NOTE: Due to a design change, when ordering item #19 Adjustable Height Arm Tubes for models manufactured before 4/13/00, the Lap Tray should also be replaced. THE PRODUCTION OF THE HTR IS CURRENTLY SUSPENDED AND SOME SERVICE PARTS MAY NOT BE AVAILABLE TO ORDER.



Arms

NOTE: Due to a design change, when ordering item #19 Adjustable Height Arm Tubes for models manufactured before 4/13/00, the Lap Tray should also be replaced. THE PRODUCTION OF THE HTR IS CURRENTLY SUSPENDED AND SOME SERVICE PARTS MAY NOT BE AVAILABLE TO ORDER.

Item Number	Note	Part Number	Description	Quantity Per	
				Package	Assembly
1	A,F	440520	Arm Assembly, Chrome - Right	1	1
1	A,F	440521	Arm Assembly, Chrome - Left	1	1
1	A,G	1129596-NLA	NLA - Arm Assembly, Grey - Right	1	1
1	A,G	1129597-NLA	NLA - Arm Assembly, Grey - Left	1	1
	B,J	ALK	Kit, Arm Lock	1	1
2			Knob, Black	1	1
3			Spring, Lift Pin	1	1
4			NLA - Pin, Lift	1	1
	C,J	ALF	Kit, Lock	1	1
5			Knob, Black	1	1
6			Pin, Release	1	1
7			Pin, Spring	1	1
8			Spring, Lift Pin	1	1
	E,G,J	1129593	Kit, Arm Base, Grey - Right	1	1
	E,F,J	400124	Kit, Arm Base Chrome - Right	1	1
2			Knob, Black	1	1
3			Spring, Lift Pin	1	1
4			NLA - Pin, Lift	1	1
9			NLA - Guard, Clothing	1	1
10			Arm Base, Chrome	1	1
11			NLA - Rivet, Oval Head (9/64 x 13/32")	1	4
12			NLA - Anti-Rattle (3/4")	1	1
	E,G,J	1129594	Kit, Arm Base, Grey - Left	1	1
	E,F,J	400125	Kit, Arm Base Chrome - Left	1	1
2			Knob, Black	1	1
3			Spring, Lift Pin	1	1
4			NLA - Pin, Lift	1	1
9			NLA - Guard, Clothing	1	1
10			Arm Base, Chrome	1	1
11			NLA - Rivet, Oval Head (9/64 x 13/32")	1	4
12			NLA - Anti-Rattle (3/4")	1	1
13	H	60290X002	Locknut (5/16-18)	1	1
14	H	1108106	Washer, Nylon (5/16 x 3/4 x 1/8")	1	1
15	H	1108127	Screw, Socket Button Head (5/16-18 x 2-3/4")	1	1
16	H	1108114-NLA	NLA - Washer, Nylon (5/16 x 1/2 x 1/16")	1	2
17		48127X002-NLA	NLA - Screw, Phillips Pan Head (#10-32 x 5/8")	1	4
18	F	1088062	Tube, Arm, Adjustable Height, Chrome - Right	1	1
18	F	1088063	Tube, Arm, Adjustable Height, Chrome - Left	1	1
18	G	1129517-NLA	Tube, Arm, Adjustable Height, Grey - Right	1	1
18	G	1129518-NLA	Tube, Arm, Adjustable Height, Grey - Left	1	1
19		350041-NLA	NLA - Pad, Arm, Molded	1	1
	J	Label-HTR	Label, HTR	1	1

Arms

NOTE: Due to a design change, when ordering item #19 Adjustable Height Arm Tubes for models manufactured before 4/13/00, the Lap Tray should also be replaced. THE PRODUCTION OF THE HTR IS CURRENTLY SUSPENDED AND SOME SERVICE PARTS MAY NOT BE AVAILABLE TO ORDER.

NOTE: A - Includes items 2 - 19.
B - Kit Includes Items 2 - 4.
C - Kit Includes Items 5 - 8.
E - Includes items 2, 3, 4, 9, 10, 11, and 12.
F - Before 1/24/05. For use on chairs with "Chrome Frame Finish."
G - After 1/23/05. For use on chairs with "Grey Frame Finish."
H - After 4/13/09.
J - Not Shown in illustration.