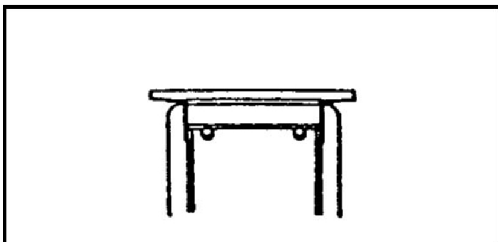
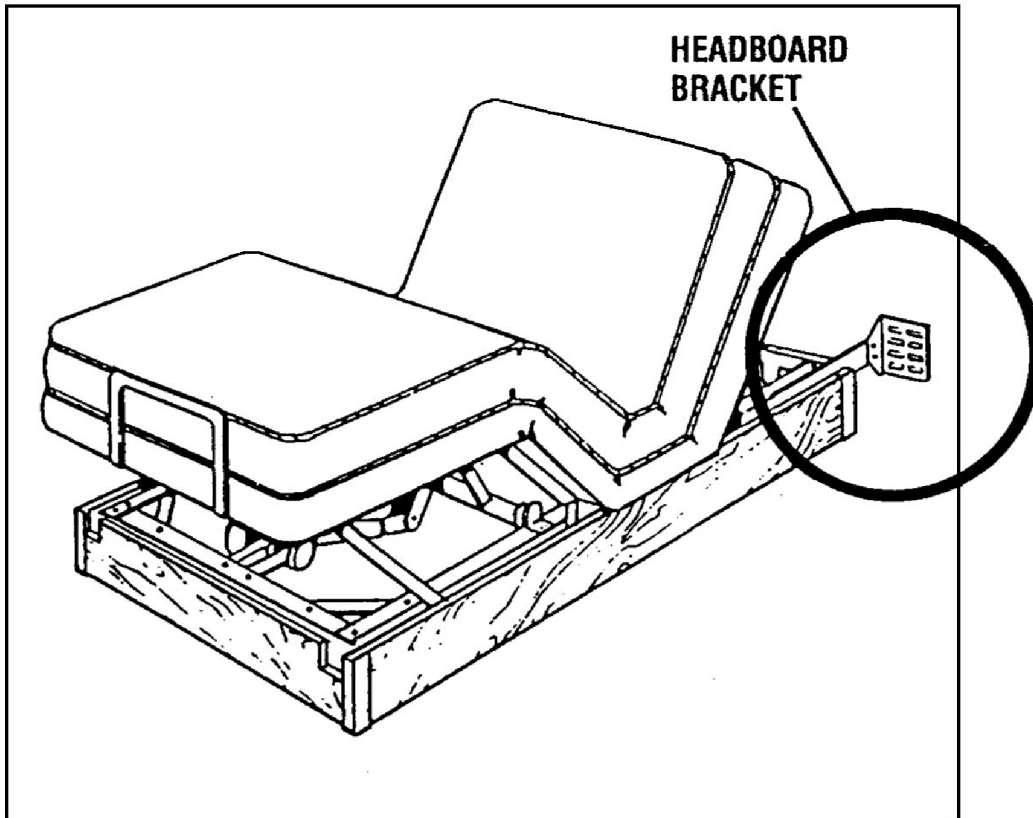


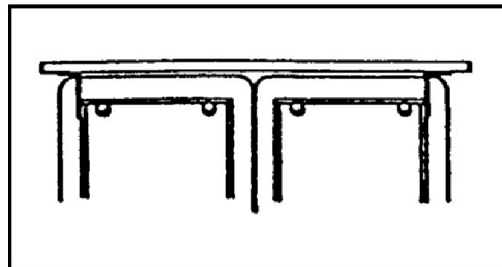
Instructions



Attach the headboard per instructions found on page 4 of your owner/operating manual.

Attach the headboard to brackets.

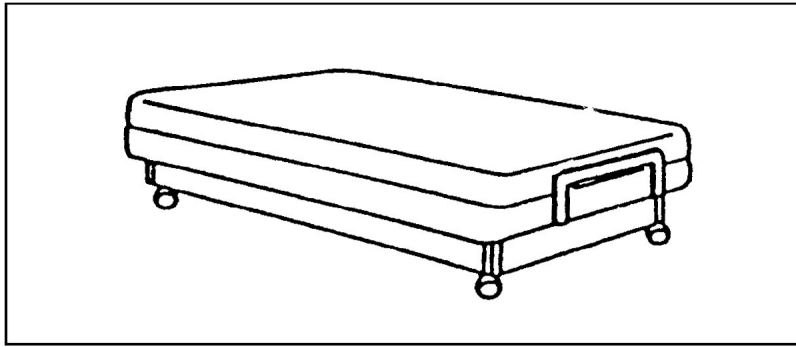
When attaching two twins to a King-size headboard, it is only necessary to prepare the outside brackets for use.



Instructions

HEADBOARD BRACKET ASSEMBLY INSTRUCTIONS

Unpack the mattress and place on base unit.



COMFORT Plus Deluxe Mattresses offer more than any other mattress:

Tempered steel innerspring assembly provides strength and resilience for even support, rigid edges and reduces the chance of bottoming out. The 2" thick intermediate pad with mesh woven backing adds firmness and prevents the mattress from flattening out over time. The 3/4" top quilt made of 1.35 density foam provides maximum comfort, with up to 45 pounds of indentation force deflection.

COMFORT Plus Standard Mattresses offer a 1-1/2" intermediate pad with a 1/2" top quilt.

COMFORT PLUS MATTRESS WEIGHTS, SIZES, COLORS, & COILS

Twin	— 50 lbs./39" x 80"
Full	— 60 lbs./54" x 80"
Queen	— 75 lbs./60" x 80"

Standard: 7-1/4" Thick
Powder Blue

Deluxe: 8" Thick
Burgundy

Coils Per Mattress

Twin	— 234 coils
Full	— 338 coils
Queen	— 390 coils