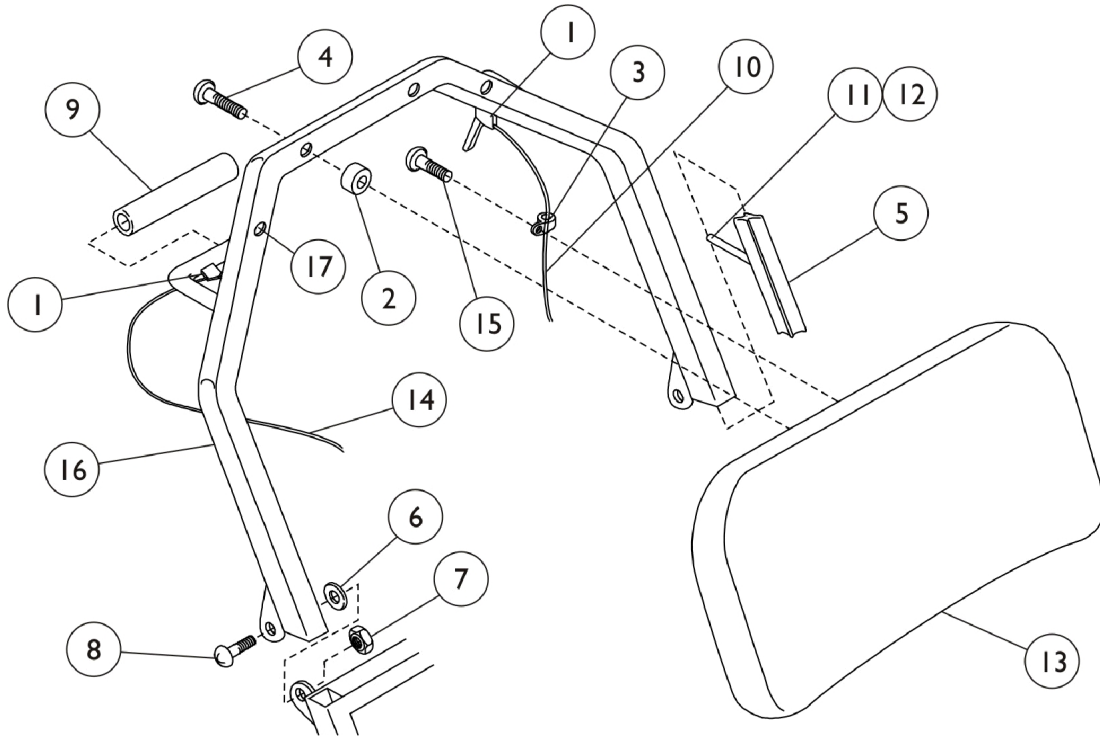


Back Assembly Upper Recline

THE PRODUCTION OF THE HTR IS CURRENTLY SUSPENDED AND SOME SERVICE PARTS MAY NOT BE AVAILABLE TO ORDER.



Back Assembly Upper Recline

THE PRODUCTION OF THE HTR IS CURRENTLY SUSPENDED AND SOME SERVICE PARTS MAY NOT BE AVAILABLE TO ORDER.

Item Number	Note	Part Number	Description	Quantity Per	
				Package	Assembly
1	A,C	48127X002-NLA	NLA - Screw, Phillips Pan Head (#10-32 x 5/8")	1	2
		440568	Kit, Contoured Back Hardware	1	1
2			NLA - Spacer, Nylon (1/4 x 1/2 x 3/8")	1	8
3			NLA - Clamp, Nylon (1/4" Cable)	1	4
4	A,B		Screw, Slotted Socket Pan Head (#10-24 x 1-3/4")	1	8
		440567	Kit, Upper Recline Hardware	1	1
5			Bar, Sleeve	1	2
6			Washer, Flat (5/16 x 11/16 x 1/16")	1	2
7			Locknut (5/16-18)	1	2
8			NLA - Screw, Slotted Truss Head (5/16-18 x 3/4")	1	2
9			NLA - Grip, Foam Hand	1	2
			Adjustable Knob Assembly	1	2
10			350040-NLA	NLA - Cable, Recliner with Handle	1
11		1110576-NLA	NLA - Screw (1/4-20 x 1-3/4")	1	2
12		TR46B	Sleeve, Plastic	1	2
13		450090-25-NLA	Cushion, Back, Upper, Mauve (16")	1	1
13		450091-25-NLA	Cushion, Back, Upper, Mauve (18")	1	1
13		450090-26-NLA	Cushion, Back, Upper, Grotto (16")	1	1
13		450091-26-NLA	Cushion, Back, Upper, Grotto (18")	1	1
13		450090-27-NLA	Cushion, Back, Upper, Blueberry (16")	1	1
13		450091-27	Cushion, Back, Upper, Blueberry (18")	1	1
14		350039-NLA	NLA - Cable, Tilt with Handle	1	1
15	D	1108131-NLA	NLA - Screw, Phillips Pan Head (#10-24 x 1")	1	1
15		1108193-NLA	NLA - Screw, Phillips Pan Head (#10-24 x 3/4")	1	1
16	E	440507-1-NLA	Frame, Upper Recline, Chrome (16")	1	1
16	F	1129534-NLA	Frame, Upper Recline, Grey (16")	1	1
16	E	440534-1-NLA	Frame, Upper Recline - Chrome (18")	1	1
16	F	1129538-NLA	Frame, Upper Recline, Grey (18")	1	1
17		1027095	Plug Button, Black (7/8")	1	2

NOTE: A - Not Shown.
B - Kit Includes Items 5-9 and Adjustable Knob Assembly Not Shown.
C - Kit Includes Items 2-4.
D - Item no longer available, refer to Part #1108193.
E - Before 1/24/05. For use on chairs with "Chrome Frame Finish."
F - After 1/23/05. For use on chairs with "Grey Frame Finish."