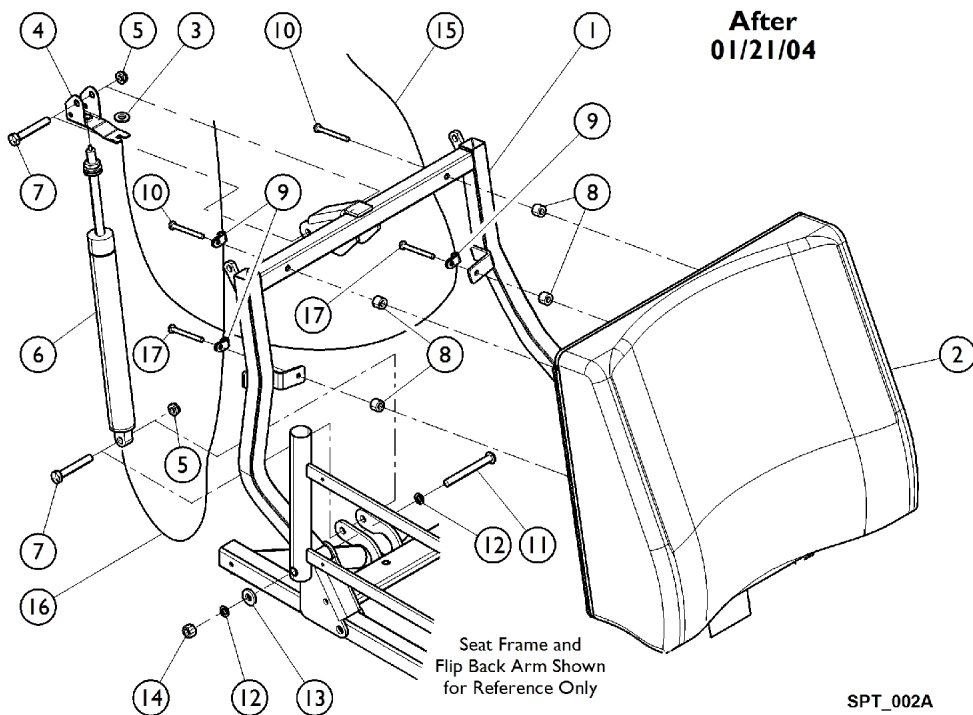
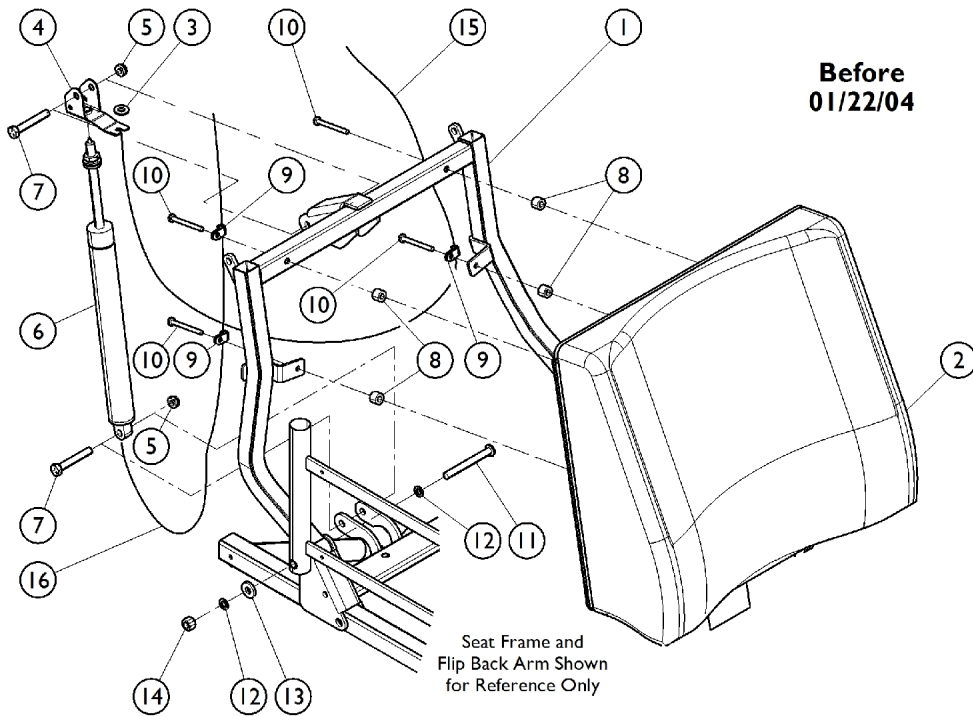


# Back Assembly

## Lower Recline

THE PRODUCTION OF THE HTR IS CURRENTLY SUSPENDED AND SOME SERVICE PARTS MAY NOT BE AVAILABLE TO ORDER.



SPT\_002A

# Back Assembly

## Lower Recline

**THE PRODUCTION OF THE HTR IS CURRENTLY SUSPENDED AND SOME SERVICE PARTS MAY NOT BE AVAILABLE TO ORDER.**

Item Number	Note	Part Number	Description	Quantity Per		
				Package	Assembly	
1	F	440510-1-NLA	Frame, Lower Recline, Chrome (16")	1	1	
1	G	1129535-NLA	Frame, Lower Recline, Grey (16")	1	1	
1	F	440511-1-NLA	Frame, Lower Recline, Chrome (18")	1	1	
1	G	1129536-NLA	Frame, Lower Recline, Grey (18")	1	1	
2		450092-25-NLA	Cushion, Back, Lower, Mauve (16")	1	1	
2		450093-25-NLA	Cushion, Back, Lower, Mauve (18")	1	1	
2		450092-26-NLA	Cushion, Back, Lower, Grotto (16")	1	1	
2		450093-26-NLA	Cushion, Back, Lower, Grotto (18")	1	1	
2		450092-27-NLA	Cushion, Back, Lower, Blueberry (16")	1	1	
2		450093-27	Cushion, Back, Lower, Blueberry (18")	1	1	
3		B444-NLA	NLA - Spacer (5/16 x 7/16 x 3/4")	1	1	
4		TR432	Activator, Strut	1	1	
5		60290X002	Locknut (5/16-18)	1	2	
6		350022-NLA	NLA - Lock Cylinder	1	1	
6		1050154	Cylinder, Lock, Recline	1	1	
7	A,C,D	1108121-NLA	NLA - Screw, Hex Head (5/16-18 x 2")	1	2	
		440568	Kit, Contoured Back Hardware	1	1	
8				NLA - Spacer, Nylon (1/4 x 1/2 x 3/8")	1	8
9				NLA - Clamp, Nylon (1/4" Cable)	1	4
10				Screw, Slotted Socket Pan Head (#10-24 x 1-3/4")	1	8
11			1108127	Screw, Socket Button Head (5/16-18 x 2-3/4")	1	2
12			1108114	NLA - Washer, Nylon (5/16 x 1/2 x 1/16")	1	4
13			1108106	Washer, Nylon (5/16 x 3/4 x 1/8")	1	2
14			60290X002	Locknut (5/16-18)	1	2
15			350040-NLA	NLA - Cable, Recliner with Handle	1	1
16		350039-NLA	NLA - Cable, Tilt with Handle	1	1	
17	E	1108193-NLA	NLA - Screw, Phillips Pan Head (#10-24 x 3/4")	1	2	
	A,B	440570	Recline Strut Assembly	1	1	

NOTE: A - Not Shown.  
 B - Includes Items 3 - 7, 12, and 15.  
 C - Kit includes items 8, 9, and 10.  
 D - Before 1/22/04. Requires (4) of Item 10 in order to complete the assembly.  
 E - After 1/21/04. Requires (2) of item 10 and (2) Item 17 in order to complete the assembly.  
 F - Before 1/24/05. For use on chairs with "Chrome Frame Finish."  
 G - After 1/23/05. For use on chairs with "Grey Frame Finish."