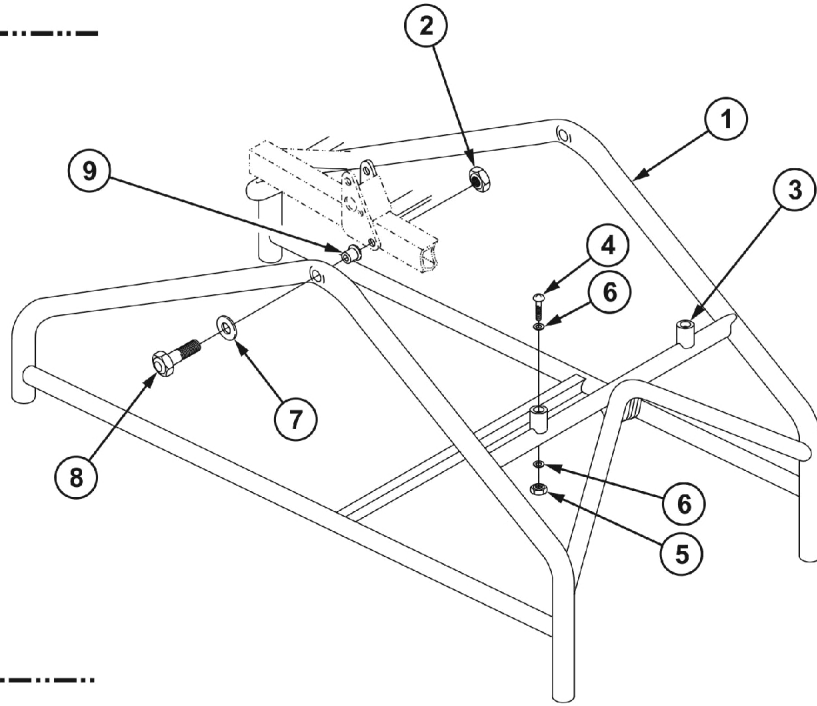


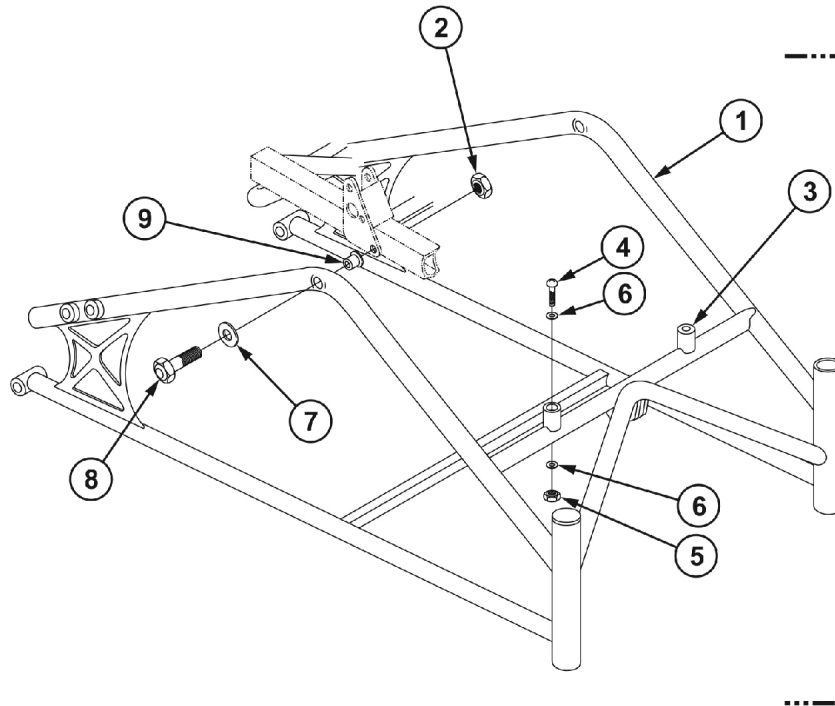
# Base Frame

THE PRODUCTION OF THE HTR IS CURRENTLY SUSPENDED AND SOME SERVICE PARTS MAY NOT BE AVAILABLE TO ORDER.

*Model 3000*  
*Model 3500*



*Model 5000*  
*Model 5500*



# Base Frame

**THE PRODUCTION OF THE HTR IS CURRENTLY SUSPENDED AND SOME SERVICE PARTS MAY NOT BE AVAILABLE TO ORDER.**

Item Number	Note	Part Number	Description	Quantity Per	
				Package	Assembly
1	A,D,F	440537-1-NLA	Frame, Base, Model 3000 - Chrome (16")	1	1
1	E,F	1129539-NLA	Frame, Base, Model 3000 - Grey (16")	1	1
1	A,D,F	440538-1-NLA	Frame, Base, Model 3500 - Chrome (18")	1	1
1	E,F	1129540-NLA	Frame, Base, Model 3500 - Grey (18")	1	1
1	A,D,G	440477-1-NLA	Frame, Base, Model 5000 - Chrome (16")	1	1
1	E,G	1129530-NLA	Frame, Base, Model 5000 - Grey (16")	1	1
1	A,D,G	440478-1-NLA	Frame, Base, Model 5500 - Chrome (18")	1	1
1	E,G	1129531-NLA	Frame, Base, Model 5500 - Grey (18")	1	1
2		1089061-NLA	NLA - Locknut (3/8-16)	1	2
3	B	1087244-NLA	NLA - Bumper - Right	1	1
3	B	1087245-NLA	NLA - Bumper - Left	1	1
3	C	1088047	NLA - Kit, Bumper Retrofit	1	1
			Locknut (1/4-20)	1	4
			NLA - Washer, Steel Flat (1/4 x 5/8 x 1/16")	1	4
			Clamp, Bottom	1	2
			Retrofit, Upper Sub Assembly - Tall	1	1
			Retrofit, Upper Sub Assembly - Short	1	1
			Key, Hex	1	1
			Instruction Sheet	1	1
4		1083101-NLA	NLA - Screw, Phillips Truss Head (#10-32 x 2")	1	2
5		1108194-NLA	NLA - Locknut (#10-32)	1	2
6		1013218	Washer (#10 Flat)	1	4
7		1108130-NLA	NLA - Washer, Nylon (1/2 x 3/4 x 3/32")	1	2
8		1108119-NLA	NLA - Screw, Hex Head (3/8-16 x 3-1/4")	1	2
9		320010-NLA	NLA - Bearing, Flange (3/8" I.D.)	1	2
<p>NOTE: A - When ordering a frame for chairs built before 6/1/99 a Bumper Retrofit Kit, item #3, must be ordered as well.            B - After 5/31/99.            C - Before 6/1/99.            D - Before 1/24/05. For use on chairs with "Chrome Frame Finish."            E - After 1/23/05. For use on chairs with "Grey Frame Finish."            F - Frame fits 5" Casters only.            G - Frame fits 24" Wheels only.</p>					