

# **Comfort Plus Adjustable Bed System**



## Parts Catalog Usage Guide

The information contained in this document is subject to change without notice. This catalog contains service parts for Form No. 91-65. If you have any questions regarding this catalog, please contact one of our Customer Service Representatives.

**For Customer Service Support Call:**

**1-800-333-6900**

**For Faxed In Orders Call:**

**1-800-678-4682 or**

**1-440-366-0709**

**For Technical Service Call:**

**1-800-832-4707**

**Literature Can Be Found at:**

**[www.invacare.com](http://www.invacare.com) or**

**1-800-828-6272**

### SYMBOL DEFINITION

Throughout this catalog you will notice letters to draw your attention to specific footnotes which are located at the bottom of the page or below specified charts.

Examples:

A,B,C etc. = Special Comments

NOTE: = General information pertaining to that specific page

NLA = No Longer Available

### HARDWARE MEASUREMENTS

The measurements for the hardware will be listed as follows:

Screws, Bolts Diameter X Thread Count/Pitch X Length

Washers Inside Diameter X Outside Diameter X Thickness

Spacers Inside Diameter X Outside Diameter X Length

For your convenience, we have supplied an area for you to list your Invacare Representatives.

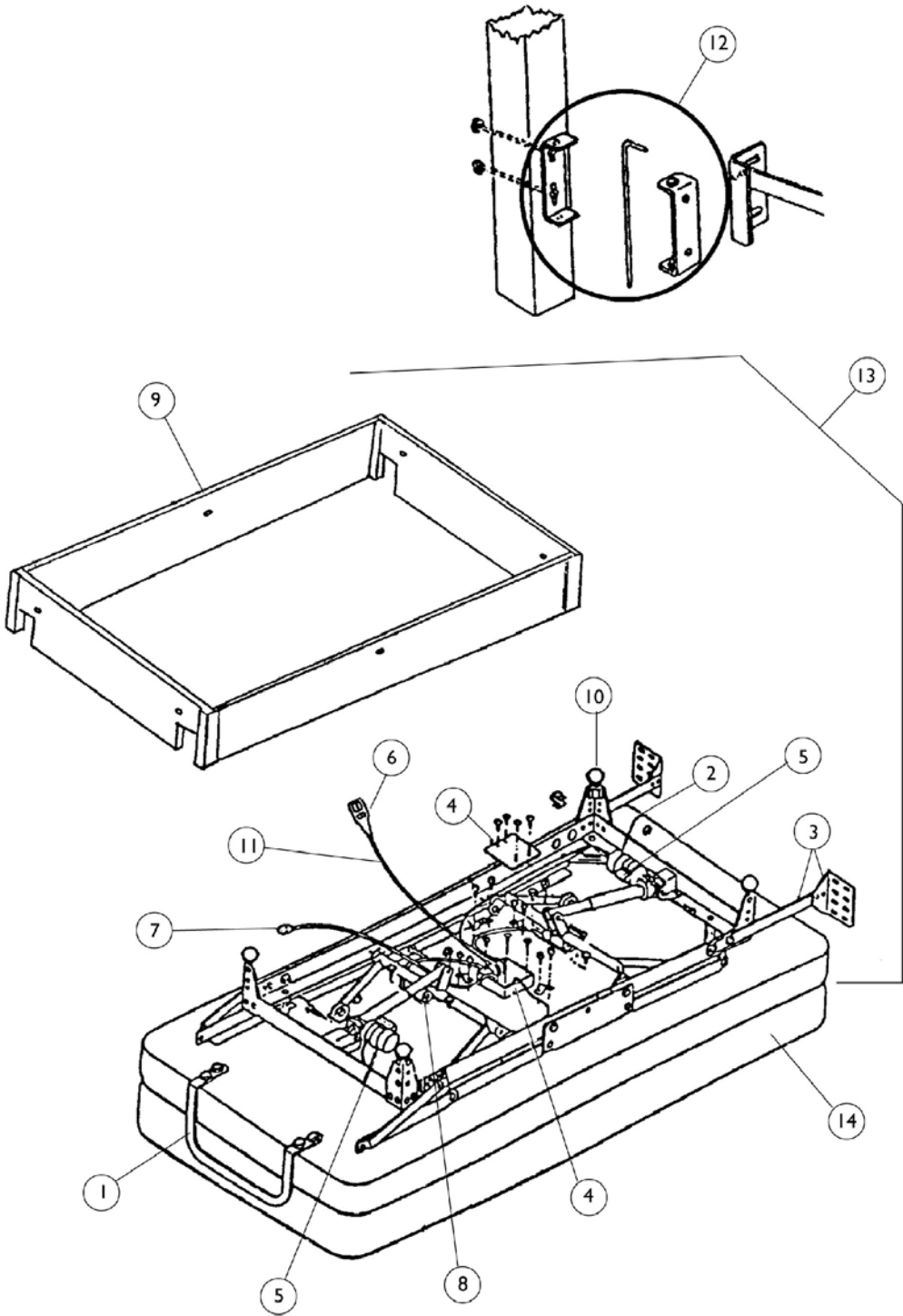
Name	Phone Numbers

©2012 Invacare Corporation, Elyria, Ohio. Invacare, the Medallion Design and Yes, you can. are registered trademarks of the Invacare Corporation.

# TABLE of CONTENTS

Description	Page Number
Carton .....	6
Comfort Plus Bed .....	3
Instructions .....	7

# Comfort Plus Bed



## Comfort Plus Bed

Item Number	Note	Part Number	Description	Quantity Per	
				Package	Assembly
1		17500287T-NLA	NLA - Mattress Retainer with Cover and Hardware, Twin Standard	1	1
1		17500287F-NLA	NLA - Mattress Retainer with Cover and Hardware, Full Standard	1	1
1		17500287Q-NLA	NLA - Mattress Retainer with Cover and Hardware, Queen Standard	1	1
1		1750028T2-NLA	NLA - Mattress Retainer with Cover and Hardware, Twin Deluxe	1	1
1		1750028F2-NLA	NLA - Mattress Retainer with Cover and Hardware, Full Deluxe	1	1
1		1750028Q2-NLA	NLA - Mattress Retainer with Cover and Hardware, Queen Deluxe	1	1
2		21000700-NLA	NLA - Wheel, Rubber 5/16"	1	1
3		17500450-NLA	NLA - Headboard Bracket with Hardware, Twin	1	1
3		17500450F-NLA	NLA - Headboard Bracket with Hardware, Full/Queen	1	1
4		17500068-NLA	NLA - Junction Box, Standard	1	1
4		17500068D-NLA	NLA - Junction Box, Deluxe	1	1
5		17500297-NLA	NLA - Motor (1/8 H.P.)	1	1
6		17500203-NLA	NLA - Pendant with Massage	1	1
6		175002031-NLA	NLA - Pendant without Massage	1	1
7		17500076-NLA	NLA - Cord, Power	1	1
8		17500204-NLA	NLA - Two Speed Massage Unit	1	1
9		17500192T-NLA	NLA - Panel, Trim with Channels, Twin (38" W x 80" L)	2	1
9		17500192F-NLA	NLA - Panel, Trim with Channels, Full (53" W x 80" L)	2	1
9		17500192Q-NLA	NLA - Panel, Trim with Channels, Queen (60" W x 80" L)	2	1
10		17500198-NLA	NLA - Caster	1	1
11		17500215-NLA	NLA - Cord, Pendant	1	1
12	B	17500210-NLA	NLA - Connectors, Swingaway Headboard	2	1
13		BED901A-NLA	NLA - Assembled Frame - Twin Standard	1	1
13		BED902A-NLA	NLA - Assembled Frame - Full Standard	1	1
13		BED903A-NLA	NLA - Assembled Frame - Queen Standard	1	1
13		BED905A-NLA	NLA - Assembled Frame - Twin Deluxe with Massage	1	1
13		BED906A-NLA	NLA - Assembled Frame - Full Deluxe with Massage	1	1
13		BED907A-NLA	NLA - Assembled Frame - Queen Deluxe with Massage	1	1
14		BED901B-NLA	NLA - Mattress - Twin Standard, 7-1/4" Thick, Powder Blue	1	1
14		BED902B-NLA	NLA - Mattress - Full Standard, 7-1/4" Thick, Powder Blue	1	1
14		BED903B-NLA	NLA - Mattress - Queen Standard, 7-1/4" Thick, Powder Blue	1	1

## Comfort Plus Bed

Item Number	Note	Part Number	Description	Quantity Per	
				Package	Assembly
14		BED905B-NLA	NLA - Mattress - Twin Deluxe, 8" Thick, Burgundy	1	1
14		BED906B-NLA	NLA - Mattress - Full Deluxe, 8" Thick, Burgundy	1	1
14		BED907B-NLA	NLA - Mattress - Queen Deluxe, 8" Thick, Burgundy	1	1
	A,B	09000LEXT-NLA	NLA - 8" Leg Extensions	4	1
	A	1027135-NLA	NLA - Owner's Manual	1	1
NOTE: A - Not Shown B - This is an Optional Accessory.					
NOTE: When adjusting or replacing parts, refer to your Owner's Manual for assistance.					

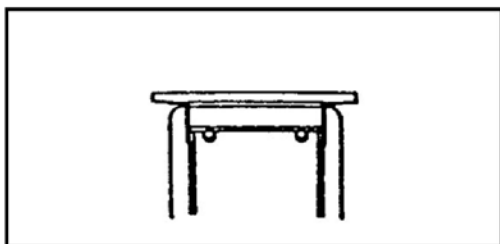
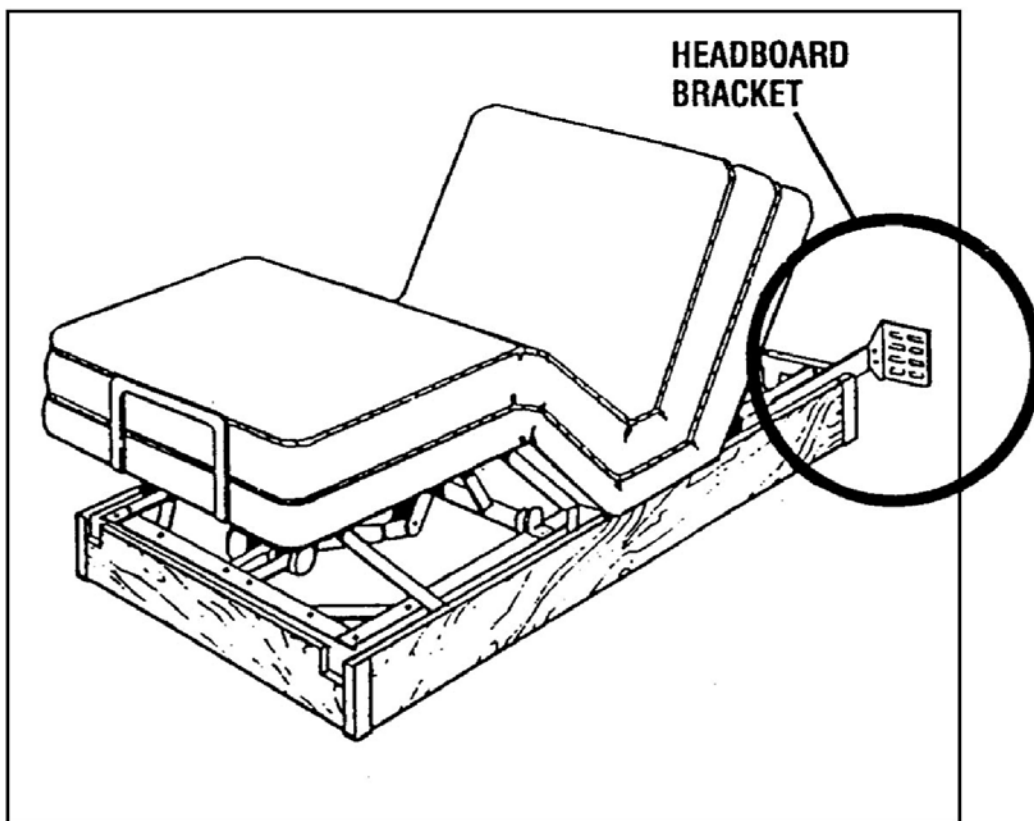
# Carton

**NOTE: When adjusting or replacing parts, refer to your Owner's Manual for assistance.**

Part Number	Description
09000MBXT-NLA	NLA - Carton, Mattress Box - Twin
09000MBXF-NLA	NLA - Carton, Mattress Box - Full
09000MBXQ-NLA	Mattress Box - Queen
09000BXT-NLA	Comfort Plus Bed Box - Twin
09000BXF-NLA	Comfort Plus Bed Box - Full
09000BXQ-NLA	Comfort Plus Bed Box - Queen

Note: When adjusting or replacing parts, please refer to your owner's manual for assistance.

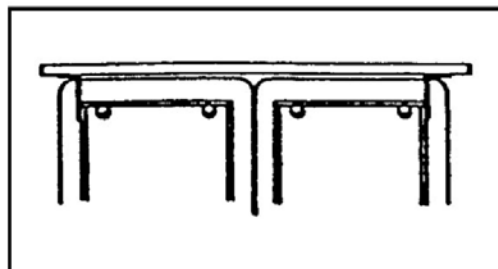
# Instructions



Attach the headboard per instructions found on page 4 of your owner/operating manual.

Attach the headboard to brackets.

When attaching two twins to a King-size headboard, it is only necessary to prepare the outside brackets for use.



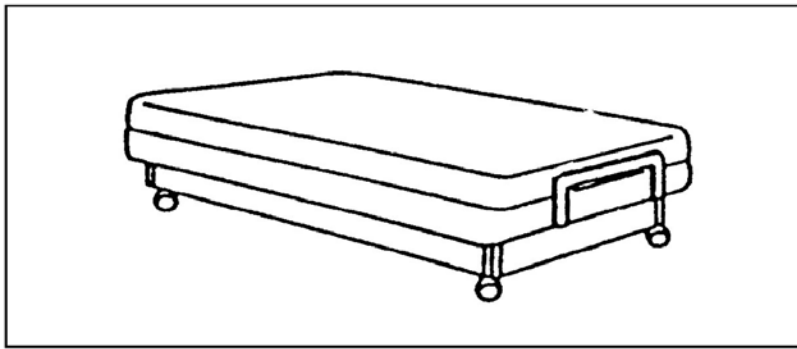


# Instructions

## HEADBOARD BRACKET ASSEMBLY INSTRUCTIONS

---

Unpack the mattress and place on base unit.



### COMFORT PLUS MATTRESS WEIGHTS, SIZES, COLORS, & COILS

Twin	— 50 lbs./39" x 80"
Full	— 60 lbs./54" x 80"
Queen	— 75 lbs./60" x 80"

---

Standard: 7-1/4" Thick  
Powder Blue

---

Deluxe: 8" Thick  
Burgundy

---

### Coils Per Mattress

Twin	— 234 coils
Full	— 338 coils
Queen	— 390 coils

COMFORT Plus Deluxe Mattresses offer more than any other mattress:

Tempered steel innerspring assembly provides strength and resilience for even support, rigid edges and reduces the chance of bottoming out. The 2" thick intermediate pad with mesh woven backing adds firmness and prevents the mattress from flattening out over time. The 3/4" top quilt made of 1.35 density foam provides maximum comfort, with up to 45 pounds of indentation force deflection.

COMFORT Plus Standard Mattresses offer a 1-1/2" intermediate pad with a 1/2" top quilt.

**Invacare Corporation**

[www.invacare.com](http://www.invacare.com)



**Yes, you can.™**

One Invacare Way  
Elyria, Oh USA  
44036-2125  
800-333-6900

Technical Support  
800-832-4707  
Florida Technical Support  
407-321-5630

Customer Service  
800-333-6900

©2012 Invacare Corporation, Elyria, Ohio.  
Invacare, the Medallion Design and Yes,  
you can. are registered trademarks of the  
Invacare Corporation.  
(Revised 01/03/12)

Form No. 91-65