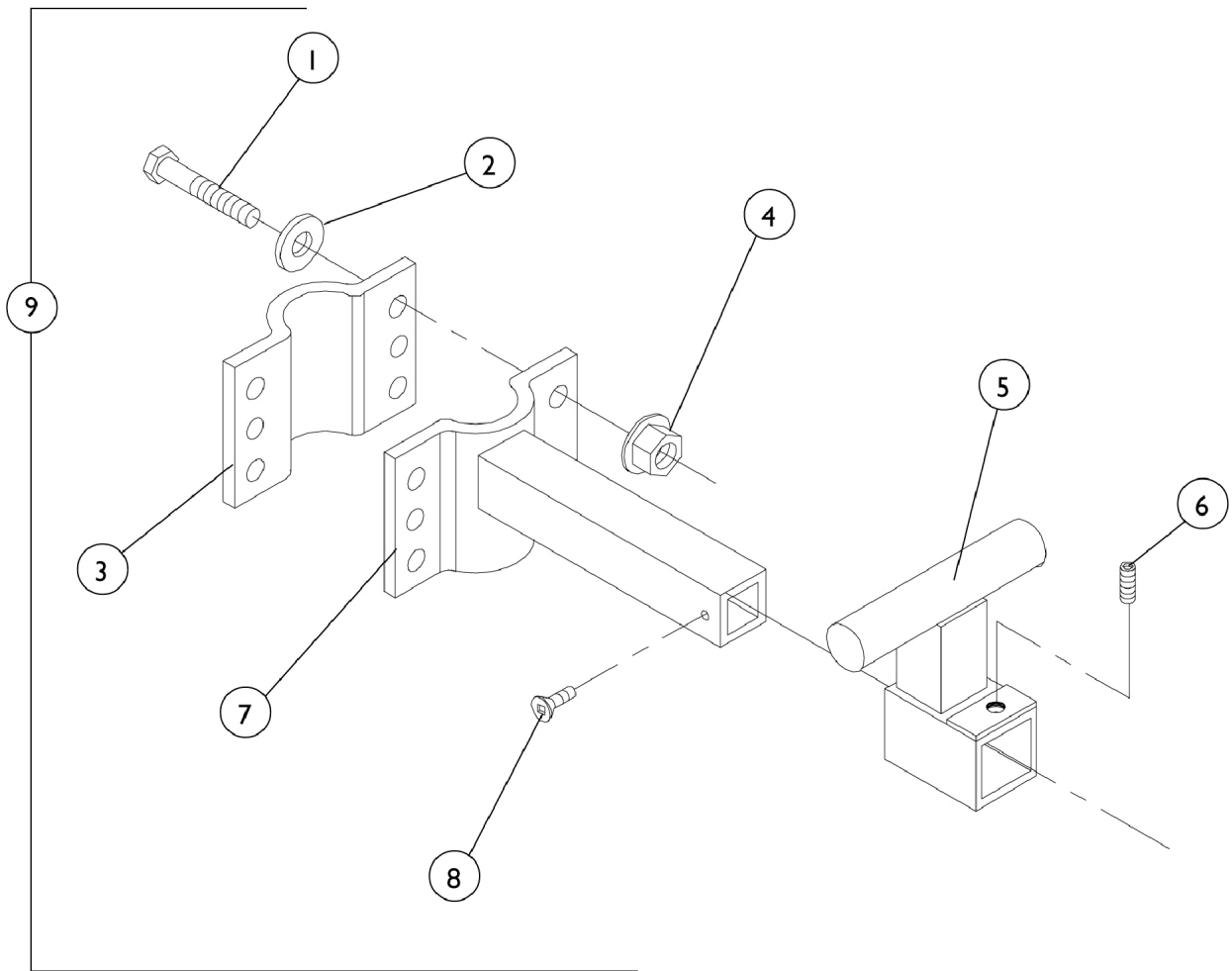


Scooter Docking Device 4"



Scooter Docking Device 4"

Item Number	Note	Part Number	Description	Quantity Per	
				Package	Assembly
1	A	AP100879-NLA	NLA - Screw, Hex Head (5/16-18 x 2-1/4")	1	4
1	B	AP100584-NLA	NLA - Screw, Hex Head (5/16-18 x 3")	1	4
2		AP100632-NLA	NLA - Washer, Flat (5/16 x 7/8 x 5/64")	1	4
3		AP072353-NLA	NLA - Docking Back Plate - Scooter	1	1
4		AP101093-NLA	NLA - Nut, Flange (5/16-18")	1	4
5		AP072369-NLA	NLA - Docking Slide - Scooter	1	1
6		AP100679-NLA	NLA - Screw, Socket Set (1/4-20 x 5/16")	1	1
7		AP072339-NLA	NLA - Docking Device 4" - Scooter	1	1
8		AP101795-NLA	NLA - Screw, Phillips Pan Head (#6-32 x 3/8")	1	1
9	C	AP072374-NLA	NLA - Docking Device Assembly, 4" - Scooter	1	1

NOTE: A - Use the (5/16-18 x 2-1/4") screws on 1-3/4" and 2" round seat post.
 B - Use the (5/16-18 x 3") screws on 2" square seat post.
 C - Includes items 1-8.