

**Youthmobile 3000  
Wheelchair**



*Yes, you can.*

# Parts Catalog Usage Guide

The information contained in this document is subject to change without notice. This catalog contains service parts for Form No. 88-139. If you have any questions regarding this catalog, please contact one of our Customer Service Representatives.

**For Customer Service Support Call:**

**1-800-333-6900**

**For Faxed In Orders Call:**

**1-800-678-4682 or**

**1-440-366-0709**

**For Technical Service Call:**

**1-800-832-4707**

**Literature Can Be Found at:**

**www.invacare.com or**

**1-800-828-6272**

## SYMBOL DEFINITION

Throughout this catalog you will notice letters to draw your attention to specific footnotes which are located at the bottom of the page or below specified charts.

Examples:

A,B,C etc. = Special Comments

NOTE: = General information pertaining to that specific page

NLA = No Longer Available

## HARDWARE MEASUREMENTS

The measurements for the hardware will be listed as follows:

Screws, Bolts Diameter X Thread Count/Pitch X Length

Washers Inside Diameter X Outside Diameter X Thickness

Spacers Inside Diameter X Outside Diameter X Length

For your convenience, we have supplied an area for you to list your Invacare Representatives.

Name	Phone Numbers

© 2022 Invacare Corporation. Elyria, Ohio. Invacare, Yes, you can., and the Medallion Design are registered trademarks of Invacare Corporation.

# TABLE of CONTENTS

Description	Page Number
Accessories - Head Support .....	64
Accessories - Headrest Extension - Non-Recliner .....	62
Accessories - Miscellaneous .....	72
Accessories - Solid Folding Seat .....	66
Accessories - Torso Support .....	68
Accessories - Utility Tray .....	70
Arms - Permanent and Removable .....	18
Casters - Front and Mounting Hardware .....	22
Crossbraces and Hardware .....	9
Forks and Hardware .....	20
Frames and Hardware - Permanent Arm .....	5
Frames and Hardware - Removable Arm .....	7
Front Riggings - Accessories - Footrest and Legrest .....	57
Front Riggings - Adjustable Heel Loops .....	58
Front Riggings - Footboard - One Piece, Wooden .....	53
Front Riggings - Footrest - One Piece, Adjustable .....	49
Front Riggings - Footrest - One Piece, Non-Adjustable .....	51
Front Riggings - Footrest Support Assembly - 91 .....	38
Front Riggings - Footrest Support Assembly - 93J .....	43
Front Riggings - Footrest Support Assembly - 93M .....	40
Front Riggings - Index and Calf Pads .....	37

# TABLE of CONTENTS

<b>Description</b>	<b>Page Number</b>
Front Riggings - Legrest Support Assembly - 92 .....	46
Front Riggings - Pivot Slide Tube with Footplate .....	55
Front Riggings - Seat Extended Legrest .....	60
Packaging and Upholstery Colors .....	4
Reclining Back Hardware .....	11
Upholstery - Back Upholstery without Hardware .....	13
Upholstery - Seat Upholstery without Hardware .....	16
Wheel Lock - Recliner .....	35
Wheel Lock Non-Recliner with Permanent Arm .....	31
Wheel Lock Non-Recliner with Removable Arm .....	33
Wheels - Handrim Attaching Hardware .....	30
Wheels - Handrims .....	28
Wheels - Rear Wheel Hardware .....	25
Wheels - Rear Wheels .....	27

# Packaging and Upholstery Colors

## Upholstery Colors

Color Number	Description
U240	Black Nylon
U16	Light Blue Heavyweight Vinyl
U60	Marina Blue Vinyl
U76	Yellow Vinyl
U77	Candy Apple Red Vinyl

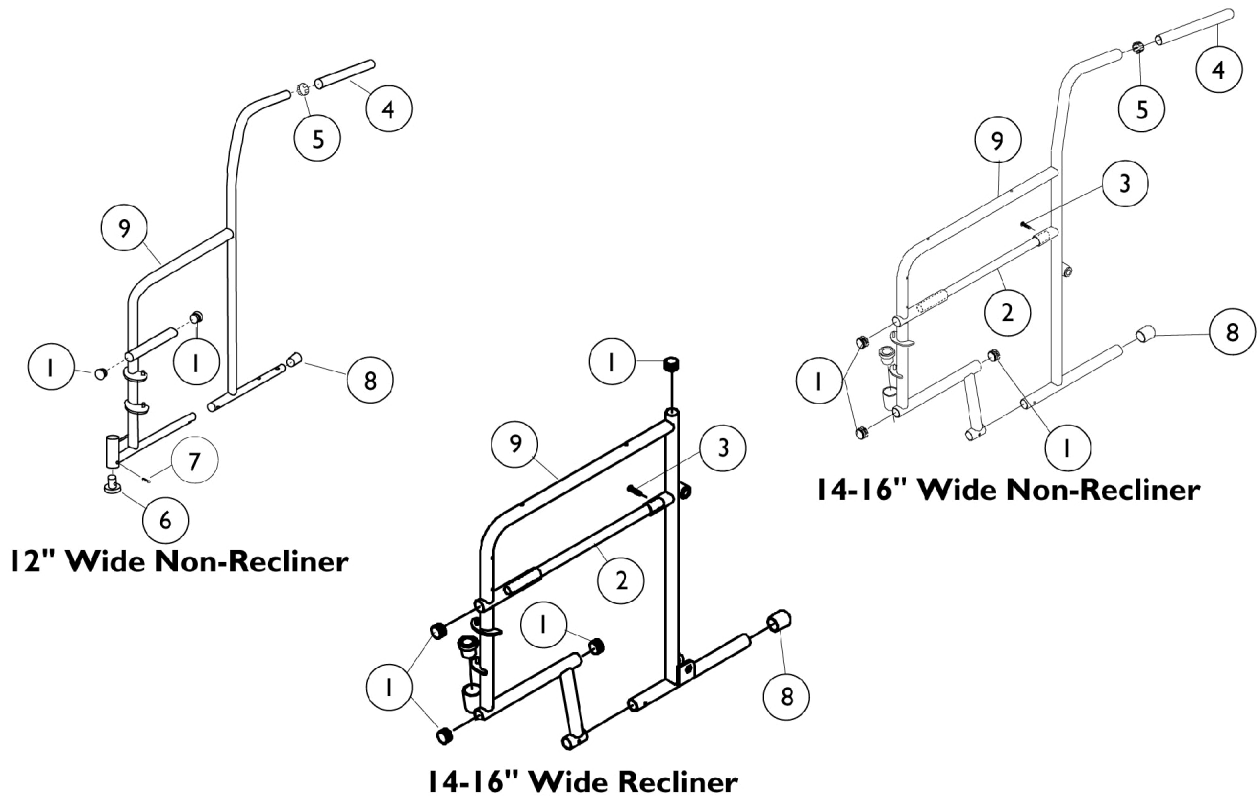
When adjusting or replacing parts please refer to your owners manual for assistance.

## Packaging and Literature

Part Number	Description
40131X038-NLA	NLA - Carton
40131X039-NLA	NLA - Insert, Carton
00077X031-NLA	Warranty Card
1013147-NLA	NLA - Owner's Manual
48602X000-NLA	NLA - Wrench

When adjusting or replacing parts please refer to your owners manual for assistance.

# Permanent Arm Frames and Hardware

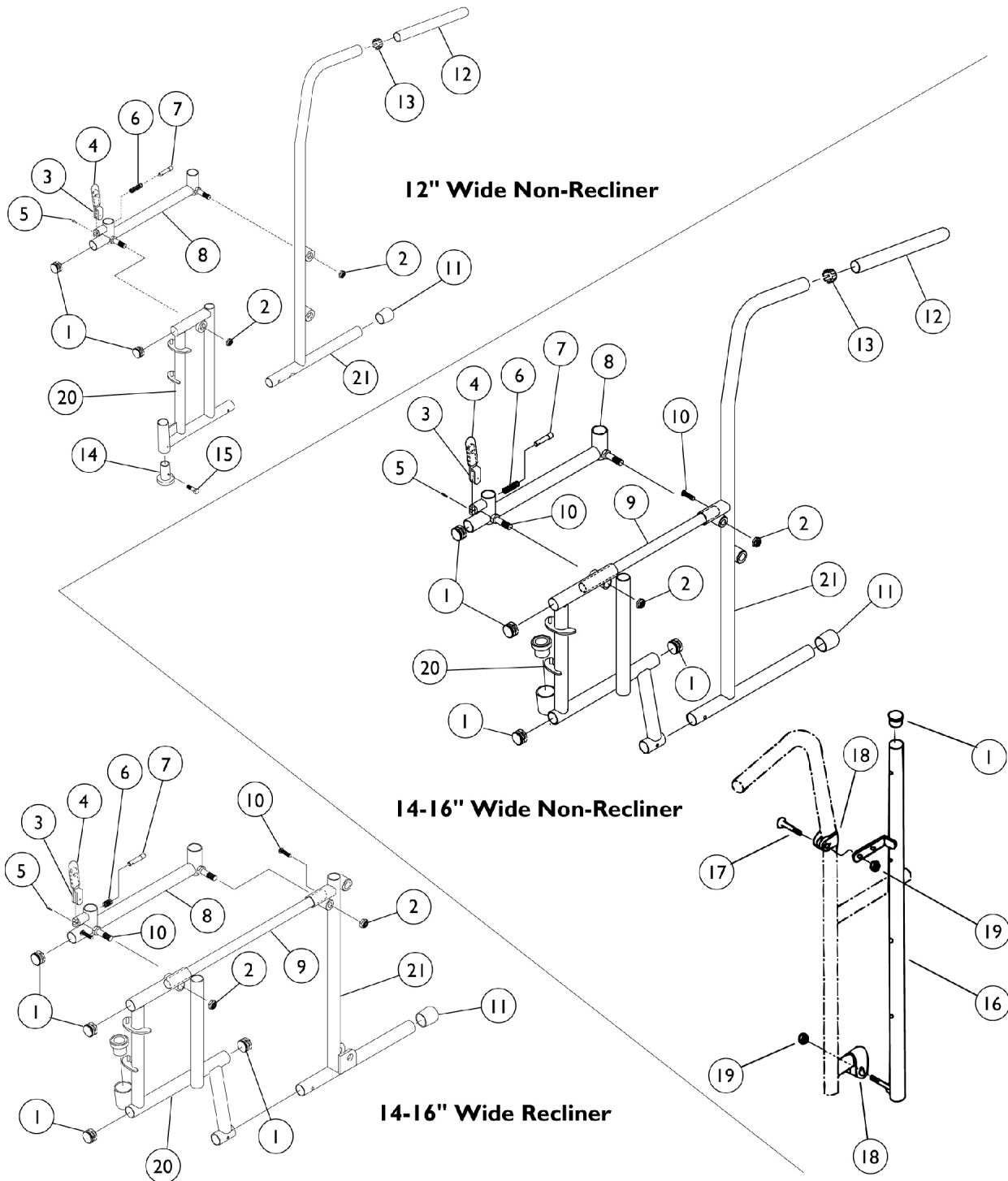


## Permanent Arm Frames and Hardware

Item Number	Note	Part Number	Description	Quantity Per	
				Package	Assembly
1		1027095	Plug Button, Black (7/8")	1	3
2		47453X019	Tube, Insert	1	1
3		21243X000-NLA	NLA - Screw, Phillips Pan Head (#6-20 x 3/8")	1	1
4		1006229	Grip, Foam (8")	1	1
5		40144X000-NLA	NLA - Plug Button (7/8")	1	1
6	A	57768X020-NLA	NLA - Sleeve, Caster	1	1
6		1016682	Bearing, Sleeve Caster	1	1
7		40121X000-NLA	NLA - Screw, Phillips Pan Head (#6-32 x 3/16")	1	1
8		15680X012	Collar, Anti-Rattle (7/8")	1	1
9	B	1015878-NLA	NLA - Frame w/o Hardware, Chrome - Right	1	1
9	B	1015879-NLA	NLA - Frame w/o Hardware, Chrome - Left	1	1
9	C	1015876-NLA	NLA - Frame w/o Hardware, Chrome - Right	1	1
9	C	1015877-NLA	NLA - Frame w/o Hardware, Chrome - Left	1	1
9	D	1016459-NLA	NLA - Frame w/o Hardware - Right	1	1
9	D	1016460-NLA	NLA - Frame w/o Hardware - Left	1	1

NOTE: A - Due to product improvement when replacing 57668X020 sleeve, a pair of no. 1016682 new Caster sleeves should be ordered.  
 B - 12" Wide, Non-Recliner  
 C - 14-16" Wide, Non-Recliner  
 D - 14-16" Wide, Recliner

# Removable Arm Frames and Hardware



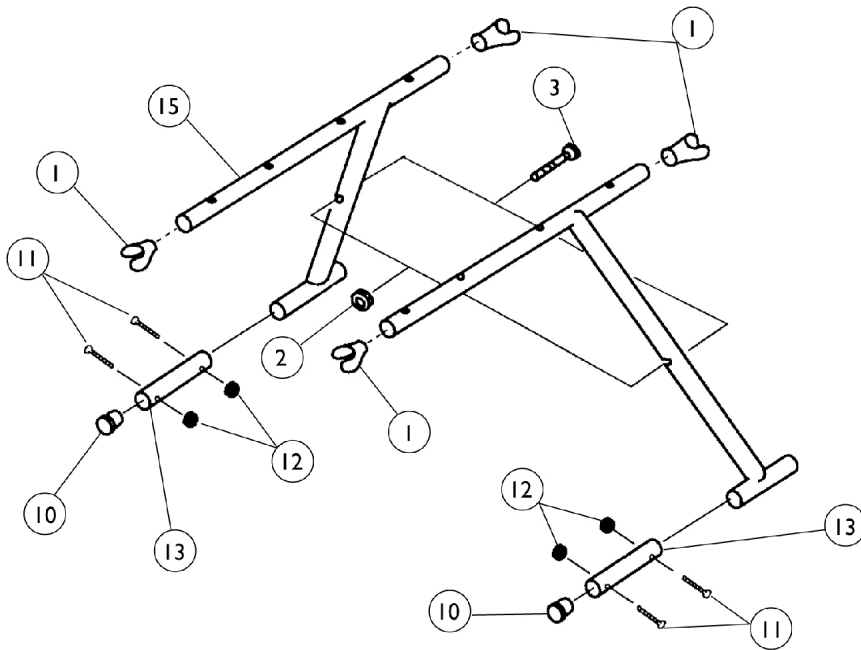


## Removable Arm Frames and Hardware

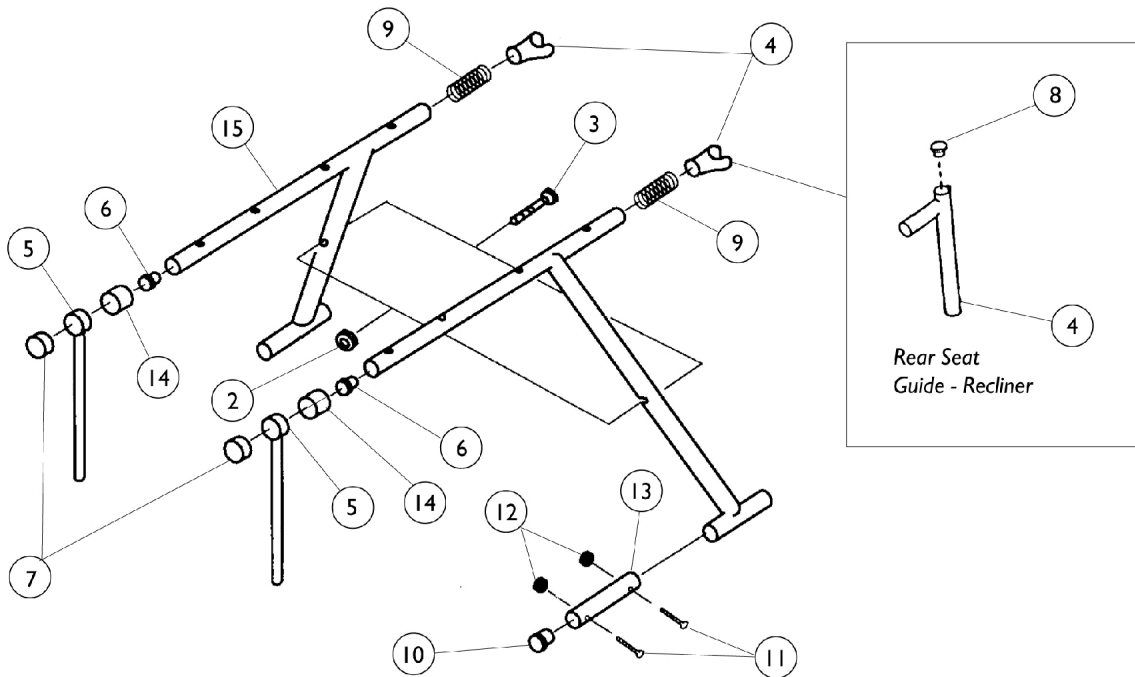
Item Number	Note	Part Number	Description	Quantity Per	
				Package	Assembly
1		1027095	Plug Button, Black (7/8")	1	4
2		60355X000-NLA	NLA - Locknut (3/8-24)	1	2
3		04747X024-NLA	NLA - Handle, Lock	1	1
4		1006490	Tip, Plastic, Black	1	1
5		40187X002-NLA	NLA - Pin, Roll (5/64 x 1/2")	1	1
6	B	47471X021-NLA	NLA - Spring, Compression (3/8 x 9/16 x 3/64")	1	1
6	C	47471X074	Spring, Arm Lock	1	1
7	B	47471X023	Pin, Locking	1	1
7	C	47471X068	Pin, Locking	1	1
8		04702X148-NLA	NLA - Socket, Arm - Right (12" W)	1	1
8		04702X149-NLA	NLA - Socket, Arm - Left (12" W)	1	1
8		04702X003-NLA	NLA - Socket, Arm - Right (14 - 16" W)	1	1
8		04702X004-NLA	NLA - Socket, Arm - Left (14 - 16" W)	1	1
9		47453X019	Tube, Insert	1	1
10		21243X000-NLA	NLA - Screw, Phillips Pan Head (#6-20 x 3/8")	1	1
11		15680X012	Collar, Anti-Rattle (7/8")	1	1
12		1006229	Grip, Foam (8")	1	1
13		40144X000-NLA	NLA - Plug Button (7/8")	1	1
14	A	57768X020-NLA	NLA - Sleeve, Caster	1	1
14		1016682	Bearing, Sleeve Caster	1	1
15		40121X000-NLA	NLA - Screw, Phillips Pan Head (#6-32 x 3/16")	1	1
16		04562X011-NLA	NLA - Tube, Back - Right	1	1
16		04562X012-NLA	NLA - Tube, Back - Left	1	1
17		11232X009	Bolt, Lug (5/16-24 x 1-3/8")	1	2
18		47311X001-NLA	NLA - Clamp (7/8")	1	2
19		7930363-NLA	NLA - Package, Locknut (5/16"-24)	25	2
20		1015872	NLA - Frame, Front, Chrome - Right (12" W)	1	1
20		1015873-NLA	NLA - Frame, Front, Chrome - Left (12" W)	1	1
20		1015866-NLA	NLA - Frame, Front, Chrome - Right (14 - 16" W)	1	1
20		1015867-NLA	NLA - Frame, Front, Chrome - Left (14 - 16" W)	1	1
21		1015868-NLA	NLA - Frame, Non-Reclining, Chrome - Rear/ Right (12" W)	1	1
21		1015869-NLA	NLA - Frame, Non-Reclining, Chrome - Rear/ Left (12" W)	1	1
21		1015864	Frame, Non-Reclining, Chrome - Rear/ Right (14 - 16" W)	1	1
21		1015865	Frame, Non-Reclining, Chrome - Rear/ Left (14 - 16" W)	1	1
21		04560X145-NLA	NLA - Frame, Reclining - Rear - Right/ Left (14 - 16" W)	1	1

NOTE: A - Due to product improvement when replacing 57668X020 sleeve, a pair of no. 1016682 new Caster sleeves should be ordered.  
 B - Before 9/93  
 C - After 8/93

# Crossbraces and Hardware



**Permanent Arm Crossbrace Hardware**

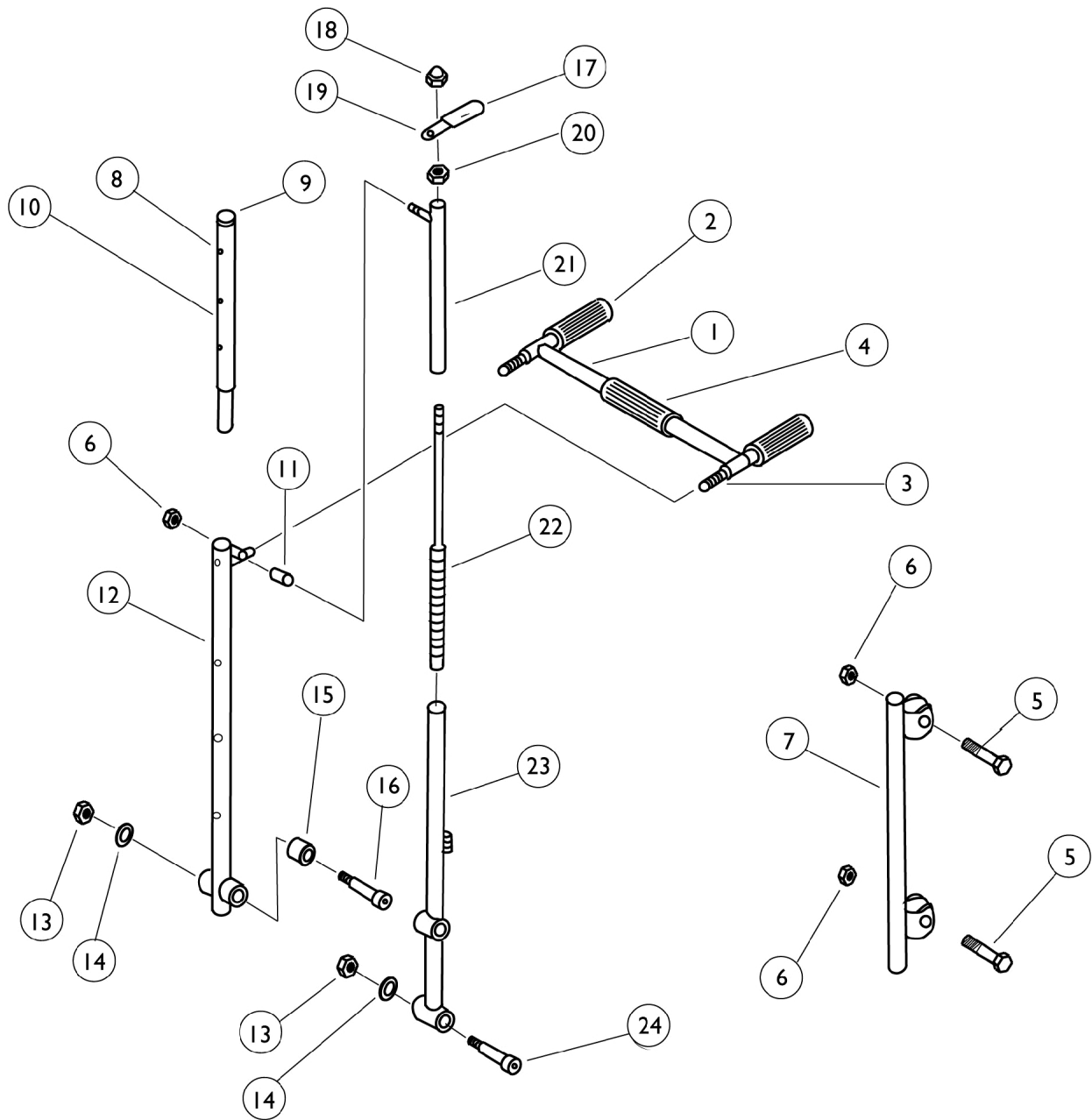


**Removable Arm Crossbrace Hardware**

## Crossbraces and Hardware

Item Number	Note	Part Number	Description	Quantity Per	
				Package	Assembly
1		1058416	Guide, Seat, Front, Black	1	4
2		7930363-NLA	NLA - Package, Locknut (5/16"-24)	25	1
3		40317X001	Screw, Hex Head (5/16-24 x 2-3/4")	1	1
4	A	04723X003-NLA	NLA - Guide, Seat, Chrome	1	2
4	B	04555X006-NLA	NLA - Guide, Seat - Rear (After 5/89)	1	2
5	C	04555X004-NLA	NLA - Guide, Seat - Front (12" W)	1	2
5	D	04555X007-NLA	NLA - Guide, Seat, Chrome - Front (After 5/89)	1	2
6		1027095	Plug Button, Black (7/8")	1	2
7	C	47397X024	Spacer (7/8 x 1 x 7/16")	1	2
7	D	47397X022	Spacer (7/8 x 1 x 7/8")	1	2
8		40144X001-NLA	NLA - Plug Button, Chrome (3/4")	1	2
9		47236X001	Spring, Tension	1	2
10		1027097	Plug Button, Black (3/4")	1	2
11		7930361-NLA	NLA - Package, Screw, Phillips Round Head (#10-32 x 1-1/8")	25	4
12		7930365-NLA	NLA - Locknut (#10-32)	25	4
13		42301X011-NLA	NLA - Tube, Insert	1	2
14	E	47397X020	Spacer (7/8 x 1 x 1-3/8")	1	2
15	C	04354X038-NLA	NLA - Crossbrace w/o Hardware - Right (12" W)	1	1
15	C	04354X039-NLA	NLA - Crossbrace w/o Hardware - Left (12" W)	1	1
15	D	04354X048-NLA	NLA - Crossbrace w/o Hardware - Right (14 - 16" W)	1	1
15	D	04354X049-NLA	NLA - Crossbrace w/o Hardware - Left (14 - 16" W)	1	1
NOTE: A - Non-Recliner B - Recliner C - 12" Wide Chairs D - 14-16" Wide Chairs E - 12" Wide Chairs Only					

# Reclining Back Hardware

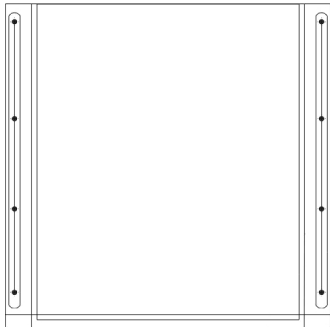


## Reclining Back Hardware

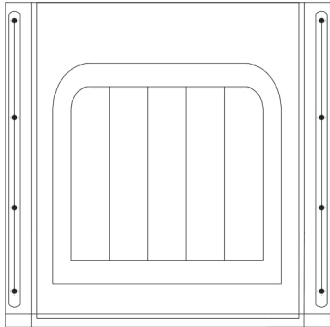
Item Number	Note	Part Number	Description	Quantity Per	
				Package	Assembly
1		04429X009-NLA	NLA - Tube, Strut (14" W)	1	1
1		04419X015-NLA	NLA - Bar, Adjustable Pivot, Spreader (Pair)	1	1
1		40197X000-NLA	NLA - Pin, Roll (3/16 x 7/8")	1	1
1		47340X003-NLA	NLA - Handle	1	1
2	A	40299X010-NLA	NLA - Grip, Hand, Grey	1	2
2	B	1029096-NLA	NLA - Grip, Hand, Black	1	2
3	A	16812X000-NLA	NLA - Grip, Hand, Center, Grey - NLA	1	1
3	B	1029099-NLA	NLA - Grip, Hand, Center	1	1
4		47340X006-NLA	NLA - Handle Tie Rod	1	1
5		11232X009	Bolt, Lug (5/16-24 x 1-3/8")	1	2
6		7930363-NLA	NLA - Package, Locknut (5/16"-24)	25	3
7		04562X016-NLA	NLA - Tube, Back Support (14" Wide Chair)	1	1
8		47447X009-NLA	NLA - Screw, Phillips (#8 x 3/8")	1	3
9		1027095	Plug Button, Black (7/8")	1	1
10		1011725-NLA	NLA - Headrest Extension Tube Assembly	1	1
10		1054610-NLA	NLA - Headrest Extension Tube w/o Snap Fasteners Assembly	1	1
11		47330X003	Spacer (5/16 x 1/2 x 3/8")	1	1
12		04562X003-NLA	NLA - Tube, Reclining Back - Right/Left	1	1
13		40363X000	Hex Nut (3/8"-16)	1	2
14		16325X000-NLA	NLA - Washer (3/8 x 13/16 x 1/16")	1	2
15		47324X004-NLA	NLA - Spacer (9/16 x 1 x 5/16")	1	1
16		60282X004-NLA	NLA - Bolt, Shoulder (1/2 x 2")	1	1
17		47376X025-NLA	NLA - Tip, Plastic, Black	1	1
18		1012386-NLA	NLA - Nut, Acorn (7/16-20)	1	1
19		47557X003-NLA	NLA - Handle, Locking	1	1
20		7930352-NLA	NLA Locknut (7/16-20)	25	1
21		04610X006-NLA	NLA - Tube, Slide, Chrome	1	1
22		04610X007-NLA	NLA - Rod, Locking	1	1
23		1015874-NLA	NLA - Tube, Ratchet, Chrome - Right	1	1
23		1015875-NLA	NLA - Tube, Ratchet, Chrome - Left	1	1
24		60282X003-NLA	NLA - Bolt, Shoulder (1/2 x 1-1/4")	1	1

NOTE: A - Before 6/93  
B - After 5/93

# Back Upholstery without Hardware



Nylon



Vinyl

## Non-Recliner

Chair Width x Height	Nylon	Vinyl	Package Quantity
12 x 16"	1015890-NLA	88801026X000-NLA <small>See Note(s) A</small>	1
14 x 16"	1015918-NLA	88804100X001-NLA <small>See Note(s) A</small>	1
16 x 16"	1015920-NLA	88804095X000-NLA <small>See Note(s) A</small>	1

NOTE: A - Specify upholstery color, see page titled "Packaging and Upholstery Colors".

## Back Upholstery without Hardware Recliner

Chair Width x Height	Nylon	Vinyl	Package Quantity
14 x 16"	1015890-NLA	88801026X000-NLA See Note(s) A	1
16 x 16"	1015918-NLA	88804100X001-NLA See Note(s) A	1

NOTE: A - Specify upholstery color, see page titled "Packaging and Upholstery Colors".

### Individual Hardware for All Back Upholstery

Part Number	Description	Quantity Per Package
1041541	Screws with Washers (#10 x 7/8")	12

### Recliner Headrest and Pillow

Item Number	Note	Part Number	Description	Quantity Per	
				Package	Assembly
	B	1054655-NLA	NLA - Upholstery, Headrest, Nylon, U240 (14" W)	1	1
	B	1054654-NLA	NLA - Upholstery, Headrest, Nylon, U240 (16" W)	1	1
	A,C	88801066X000-NLA	NLA - Upholstery, Headrest	1	1
	A,C	8881054615-NLA	NLA - Upholstery, Headrest	1	1
	A,D,F	88804644X002-NLA	NLA - Headrest Pillow	1	1
	B,E,F	1054894	Cushion, Headrest (14" W)	1	1
	A,C,F	8881054617-NLA	NLA - Pillow, Headrest, Vinyl (14" W)	1	1
	G	See Chart	Back Upholstery Hardware	1	1
	G	See Chart	Headrest Upholstery Hardware	1	1
	G	See Chart	Non-Recliner	1	1
	G	See Chart	Recliner	1	1

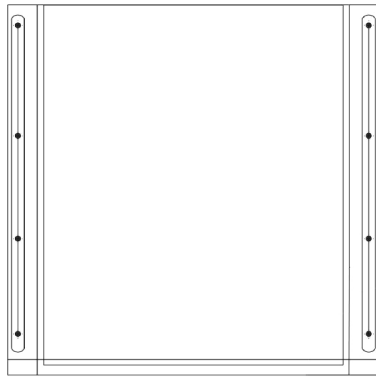
NOTE: A - Specify upholstery color, see page titled "Packaging and Upholstery Colors"  
 B - Nylon  
 C - Vinyl  
 D - with Snaps (Before 6/95)  
 E - with Hook and Loop (After 5/95)  
 F - 14-16" Wide Chairs  
 G - Not Shown

**Back Upholstery  
without Hardware  
Hardware for Headrest Upholstery**

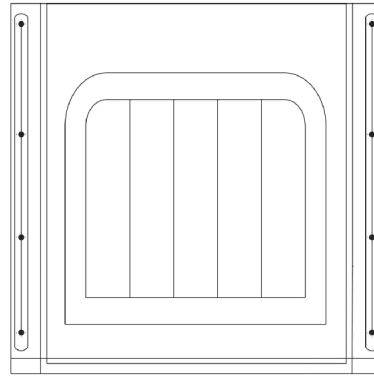
Part Number	Description	Quantity Per Package
1041541	Screws with Washers (#10 x 7/8")	12



# Seat Upholstery without Hardware



Nylon



Vinyl

## Non-Recliner

Width x Depth	Nylon	Vinyl	Packaging Quantity
12" x 11"	1015882-NLA	88801022X000-NLA See Note(s) A	1
14" x 12"	1015881-NLA	88801021X000-NLA See Note(s) A	1
16" x 14"	1015914-NLA	88801020X000-NLA See Note(s) A	1

NOTE: A - Specify upholstery color, see page titled "Packaging and Upholstery Colors".

## Seat Upholstery without Hardware Recliner

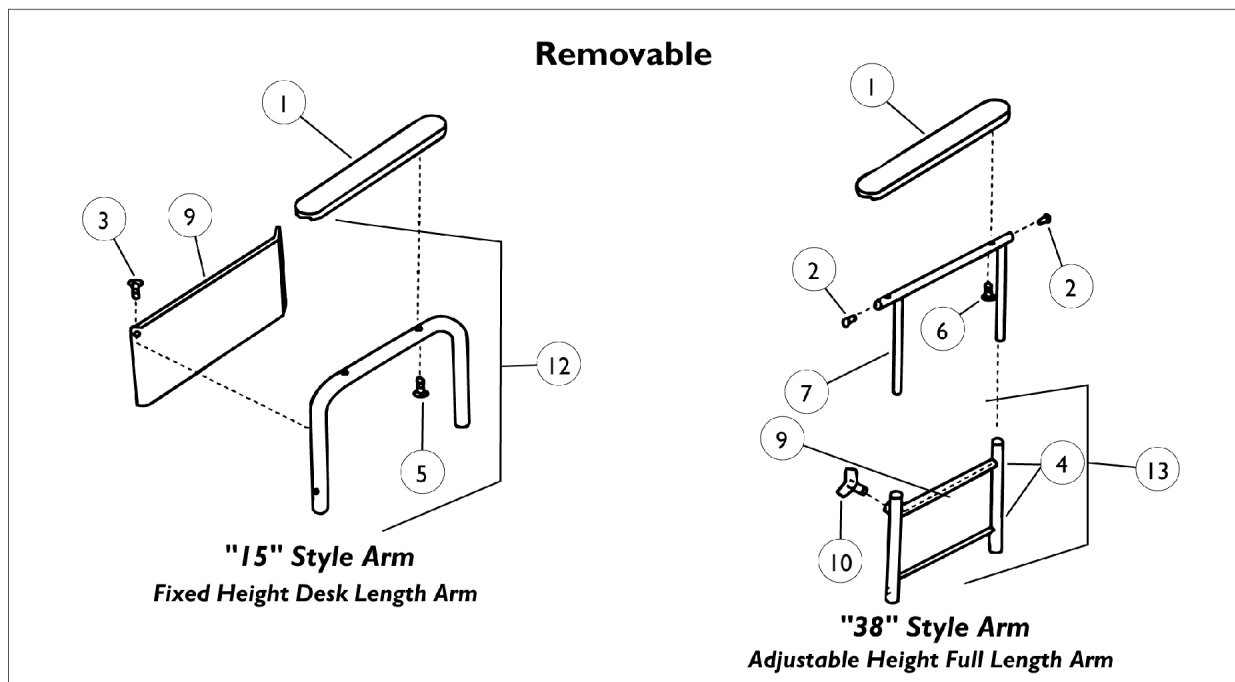
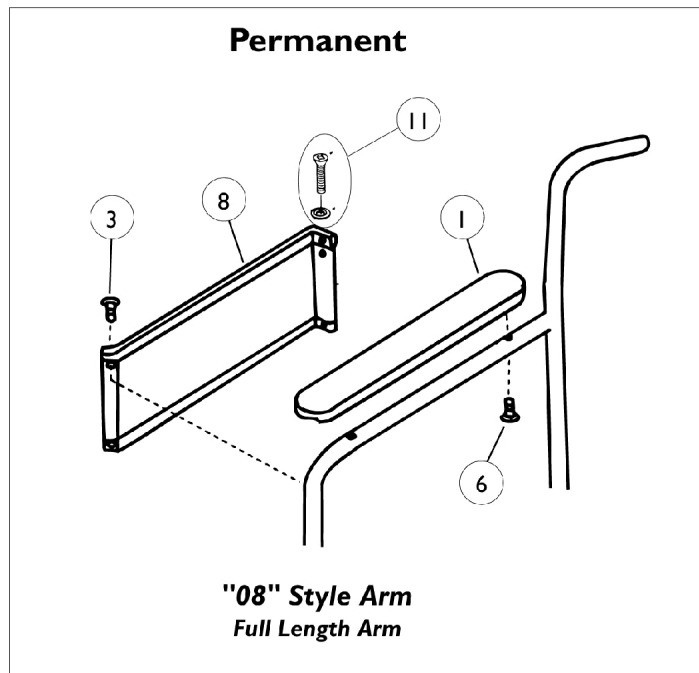
Width x Depth	Nylon	Vinyl	Packaging Quantity
14" x 13"	1016738-NLA	8881017508-NLA See Note(s) A	1
16" x 14"	1015914-NLA	88801020X000-NLA See Note(s) A	1

NOTE: A - Specify upholstery color, see page titled "Packaging and Upholstery Colors"

### Hardware for Seat Upholstery

Part Number	Description	Quantity per Package
1041541	Screws with Washers (#10 x 7/8")	12

# Permanent and Removable Arms

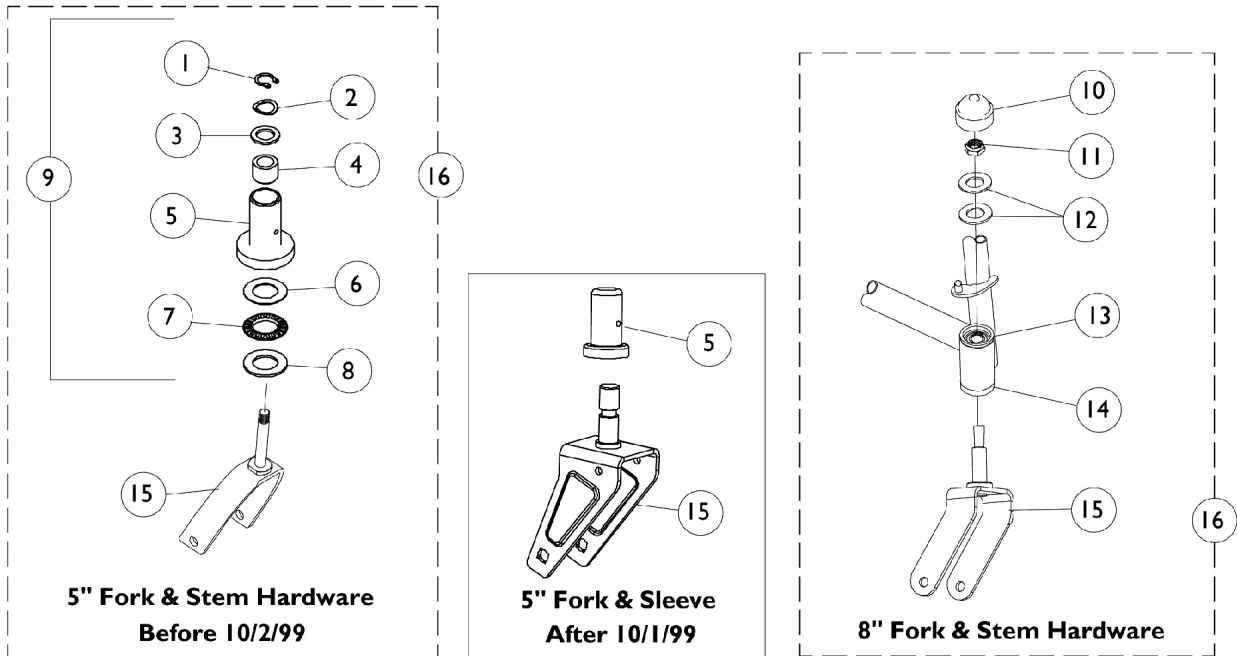


## Permanent and Removable Arms

Item Number	Note	Part Number	Description	Quantity Per	
				Package	Assembly
1	A	8881053570	Kit, Arm Pad w/ Screws, Desk Length (Pair)	1	1
1	A	8881053571	Kit, Arm Pad w/ Screws, Full Length (Pair)	1	1
2		1027095	Plug Button, Black (7/8")	1	2
3		1025729	Screw, Phillips Pan Head Tap (#8-32 x 3/8")	1	1
4		21243X000-NLA	NLA - Screw, Phillips Pan Head (#6-20 x 3/8")	1	4
5		11008X002-NLA	NLA - Screw, Phillips Oval Head (#10-32 x 1-1/4")	2	2
6		1034083-NLA	NLA - Package, Screw Phillips Round Head (#10-32 x 1-1/8")	2	2
7		1036198	Arm Tube Assembly w/ Plug Buttons, Black - Right/Left	1	1
8		47234X001-NLA	NLA - Guard, Clothing, Full Length, Fixed Arm, Chrome	1	1
8		47234X009-NLA	NLA - Guard, Clothing, Permanent, Full Length	1	1
9		47234X053-NLA	NLA - Guard, Clothing, Removable, Desk Length	1	1
9		47234X015-NLA	NLA - Guard, Clothing Removable, Full Length	1	1
10		40358X007-NLA	NLA - Knob, Locking	1	1
11		1076283	Screw, Phillips Oval Head w/ Washer (#10-16 x 7/8")	1	1
11		1041541	Package, Screw Phillips Csunk Oval Head w/ Washer (#10-16 x 7/8") (12 ea.)	12	1
12		1036193	Arm Base Assembly, Desk Length w/o Arm Pad - Right	1	1
12		1036194	Arm Base Assembly, Desk Length w/o Arm Pad - Left	1	1
13		04702X036-NLA	NLA - Arm Base Assembly, Full Length w/o Armpad - Right	1	1
13		04702X037-NLA	NLA - Arm Base Assembly, Full Length w/o Armpad - Left	1	1

NOTE: A - Specify upholstery color, see page titled "Packaging and Upholstery Colors"

# Forks and Hardware

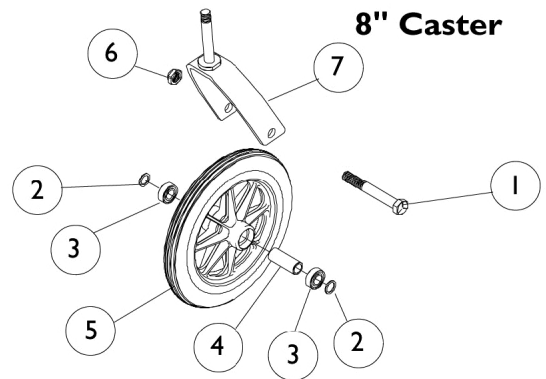
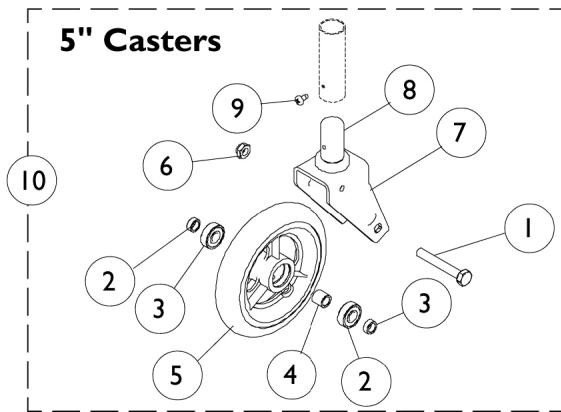


## Forks and Hardware

Item Number	Note	Part Number	Description	Quantity Per	
				Package	Assembly
1		40314X002	Ring, Retaining	1	1
2		10141X006	Washer, Wave (1/2 x 5/8 x 1/32")	1	1
3		40157X005	Washer, Nylon (1/2 x 3/4 x 1/16")	1	1
4		40117X008-NLA	NLA - Bearing, Radial	1	1
5	B	57768X020-NLA	NLA - Sleeve, Caster	1	1
5		1016682	Bearing, Sleeve Caster	1	1
6		40157X007	Washer, Steel (5/8 x 1-3/32 x 1/32")	1	1
7		40117X007	Bearing, Thrust Needle	1	1
8		40157X006-NLA	NLA - Washer (5/8 x 1-3/32 x 1/16")	1	1
	A	1027095	Plug Button, Black (7/8")	1	1
9		01008X007-NLA	NLA - Bearing Assembly	1	1
10		1001843	Cap, Head Tube, Black	1	1
10		1131189	Package, Head Tube Cap	10	1
11		20225X000	Locknut (7/16-20)	1	1
12		40157X015-NLA	NLA - Washer, Nylon (9/16 x 1 x 5/8")	1	2
13		1002626-NLA	NLA - Bearing	1	1
14		04268X022-NLA	NLA - Bearing, Lower	1	1
15	D	01007X004-NLA	NLA - Fork and Stem 5" Caster	1	1
15	D	1086613-NLA	NLA - Fork and Stem (5" Caster)	1	1
15	E	04540X264-NLA	NLA - Fork and Stem (8 x 1" and 8 x 1-1/4" Casters)	1	1
15	F	04540X247	Fork and Stem Assembly, Chrome	1	1
16	C	1086614-NLA	Fork and Stem Assembly (5")	1	1
16		04540X265-NLA	NLA - Fork and Stem Assembly (8")	1	1

NOTE: A - Not Shown  
 B - Due to product improvement when replacing 57668X020 sleeve, a pair of no. 1086613 and no. 1016682 Caster sleeves should be ordered.  
 C - Fork and Stem assembly NLA, see page titled "Front Casters and Hardware" item number 10 for replacement.  
 D - 5" Caster  
 E - 8 x 1" and 8 x 1-1/4" Casters  
 F - 8 x 2" Caster

# Front Casters and Mounting Hardware



## Front Casters and Mounting Hardware

Item Number	Note	Part Number	Description	Quantity Per	
				Package	Assembly
1	A	1031891	Screw, Hex Head (5/16-24 x 2")	1	1
1	B	57667P007	Screw, Hex Head (7/16-20 x 3-1/4")	1	1
2	A,C	1018027-NLA	NLA - Spacer, Axle, 5" Casters (5/16 x 5/8")	1	2
2	D	47183X047	Spacer (5/16 x 1/2 x 3/16")	1	2
2	E	1026101	Spacer (7/16 x 5/8 x 3/16")	1	1
2	F	1016032	Washer, Steel (15/32 x 5/8 x 3/64")	1	1
3	A	40117X026	Bearing, Flange (5/16")	1	2
3	B	1006049	Bearing (7/16")	1	2
4	A	1026172	Spacer (5/16 x 7/16 x 15/32")	1	1
4	E	1018982	Spacer, Hub Caster (7/16 x 5/8 x 1-1/2")	1	1
4	G	1020592	Spacer, Bearing (7/16 x 5/8 x 1-3/4")	1	1
5	H	See Chart	See Chart	1	1
6	A	1025730	Locknut (5/16-24)	1	1
6	A	1107321	Nut, Low Cap (5/16"-24)	1	1
6	B	20225X000	Locknut (7/16-20)	1	1
7		1086613-NLA	NLA - Fork and Stem (5" Caster)	1	1
8		1016682	Bearing, Sleeve Caster	1	1
9		020647	Screw, Phillips Pan Head Tap (#8-32 x 5/16")	1	1
10		1086615-NLA	NLA - Caster Assembly (5")	1	1
	I	See Chart	Front Casters	1	1

NOTE: A - 5" Casters  
 B - 8" casters  
 C - Before 3-9-99  
 D - After 3-8-99  
 E - 8 x 7/8" Casters  
 F - All other 8" Casters  
 G - 8 x 1-1/4" and 8 x 1-3/4" Casters  
 H - See chart below titled "#5 Front Casters"  
 I - Not Shown

### #5 Front Casters

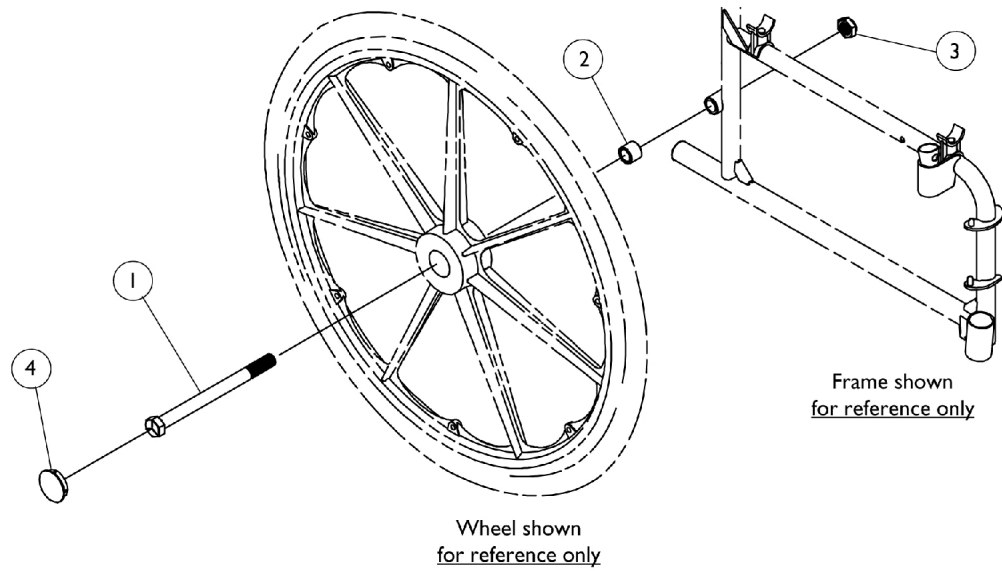
Part Number	Description	Tire	Package Tube/Insert	Quantity
1029496 See Note(s) D, C, A	Caster, Urethane (5")	N/A	N/A	1
1058137 See Note(s) A	Wheel Assembly, Solid Rubber (8" x 1")	1040144	N/A	1
1009481 See Note(s) A	Caster (8x1-1/4") Pneumatic	40176X040	40176X041	1
1030773 See Note(s) A	Pneumatic w/Flat Free Insert	40176X040	1010904-NLA	1
1070811 See Note(s) E	Semi-Pneumatic (8x2")	N/A	N/A	1
1071666 See Note(s) F	Semi-Pneumatic (8x2")	N/A	N/A	2



# Front Casters and Mounting Hardware

NOTE: A - Includes bearings and bearing spacers  
C - Order in Pairs (#1086615) for chairs manufactured Before 3/9/99.  
D - After 3/8/99  
E - 1 piece  
F - 1 pair

# Rear Wheel Hardware



## Rear Wheel Hardware

Item Number	Note	Part Number	Description	Quantity Per	
				Package	Assembly
1	A	47203X024-NLA	NLA - Bolt, Hex Head (7/16-20 x 4")	1	1
1	B	47203X025	Bolt, Hex Head Cap (7/16-20 x 4-3/4")	1	1
2	A	40157X011-NLA	NLA - Washer, Steel (7/16 x 15/16 x 1/16")	1	1
2	B	47183X037-NLA	NLA - Spacer (1/2 x 7/8 x 7/8")	1	1
3		7930352-NLA	NLA Locknut (7/16-20)	25	1
4	C	1027600-NLA	NLA - Cap, Black	1	1
NOTE: A - Permanent Arm Chairs and Non-Reclining B - Removable Arm Chairs and All Recliners C - DTM Wheel Only					

## Rear Wheels

Wheel Style	Composite 1763BK	Composite 4763BK	Composite U1763BK	Composite 2244BK	Composite 2222BK	Composite	Composite 4244BK
Wheel Size	20"	20"	20"	24"	24"	24"	24"
Single Tire Type	Pneumatic (20 x 1-3/8")	Pneumatic w/Flat Free Insert (20 x 1-3/8")	Urethane (20 x 1-1/4")	Urethane (24 x 1-1/4")	DTM (24 x 7/8")	Pneumatic (24 x 1-3/8")	Pneumatic w/Flat Free Insert (24 x 1-3/8")
Wheel Assembly	1034126 See Note(s) A	1034127 See Note(s) A	1038555 See Note(s) A	1032117 See Note(s) A	1080378 See Note(s) A, B	1025123 See Note(s) A	1025124 See Note(s) A
Wheel Assembly	N/A	N/A	N/A	N/A	1122726 See Note(s) A, D	N/A	N/A
Tire	1017519	1017519	1037774	1026904	1080400 See Note(s) B	40176X060	40176X060
Tire	N/A	N/A	N/A	N/A	1118209 See Note(s) C	N/A	N/A
Tube/Insert	1017520	1023322	N/A	N/A	N/A	40176X061	1010906
Hub Bearing	40117X024	40117X024	40117X024	40117X024	40117X024	40117X024	40117X024
Spacer	1015756	1015756	1015756	1015756	1019695-NLA	1015756	1015756
NOTE: A - Includes tire, tube/insert, bearing and spacer. Does not include handrim. B - Non-Corded Tire replaced with a Corded Tire as of 11/16/09. Refer to part #1122726 for a wheel assembly or part #1118209 for a tire. It is recommended to order (2) each in quantity to match. C - Corded Tires maybe more difficult to stretch over the rim. The complete wheel assembly that has the tire and wheel rim preassembled maybe advisable. D - The wheel assembly is now a U2222C Composite Corded Urethane 24 x1"							

# Handrims and Attaching Hardware

## Chrome Plated - Non-Projection

Handrim Only	Quantity	Att. Points	Att. Hardware Kit	Wheel Type
1027413-NLA	1	6	1025150 See Note(s) A	B See Note(s) B

NOTE: A - Kit contains enough hardware for 1 handrim.  
B - See chart titled "Wheel Types".

## Flat Black - Non-Projection

Handrim Only	Quantity	Att. Points	Att. Hardware Kit	Wheel Type
1031428-NLA See Note(s) B	1	6	1025150 See Note(s) A	B See Note(s) C
1015406 See Note(s) B	1	7	1025153 See Note(s) A	A See Note(s) C
1020017 See Note(s) B	1	7	1025153 See Note(s) A	C See Note(s) C

NOTE: A - Kit contains enough hardware for 1 handrim.  
B - When replacing handrims for chairs built before 12/17/99 order in pairs, handrim color has changed from Pewter to Flat Black.  
C - See chart titled "Wheel Types".

## Grey Plastic Coated - Non Projection

Handrim Only	Quantity	Att. Points	Att. Hardware Kit	Wheel Type
1027414	1	6	1025150 See Note(s) A	B See Note(s) B
1015406	1	7	1025158 See Note(s) A	A See Note(s) B
1020017	1	7	1025158 See Note(s) A	C See Note(s) B

NOTE: A - Kit contains enough hardware for 1 handrim.  
B - See chart titled "Wheel Types".

# Handrims and Attaching Hardware

## Grey Plastic Coated - Projection

8 Vertical	Handrim Only	Quantity	Att. Points	Att. Hardware Kit	
	1017873	1	6	1062763 See Note(s) A	B See Note(s) B
	1015432-NLA	1	7	1062764 See Note(s) A	A See Note(s) B
8 Oblique					
	1017872	1	6	1062763 See Note(s) A	B See Note(s) B
	1015434-NLA	1	7	1062765 See Note(s) A	A See Note(s) B
NOTE: A - Kit contains enough hardware for 1 handrim. B - See chart titled "Wheel Types"					

### Wheel Types

A = 24" Composite Wheel with Pneumatic/Urethane Tire
B = 24" Composite Wheel with DTM Tire
C = 20" Composite Wheel with Urethane or Pneumatic Tire

# Handrim Attaching Hardware

## Standard Handrim Hardware

Part Number	Description	Hardware Kit	Hardware Kit	Hardware Kit
		1025150	1025158	1025153
1007375 See Note(s) A	Screw, Phillips Pan Head w/ Patch (#10-32 x 1-3/4")	6	7	7
1016438	Spacer (1/4 x 11/32 x 15/16")	--	--	7

NOTE: A - Replaces 1026750.

The quantity in each column is the amount of that item that is in the hardware kit.

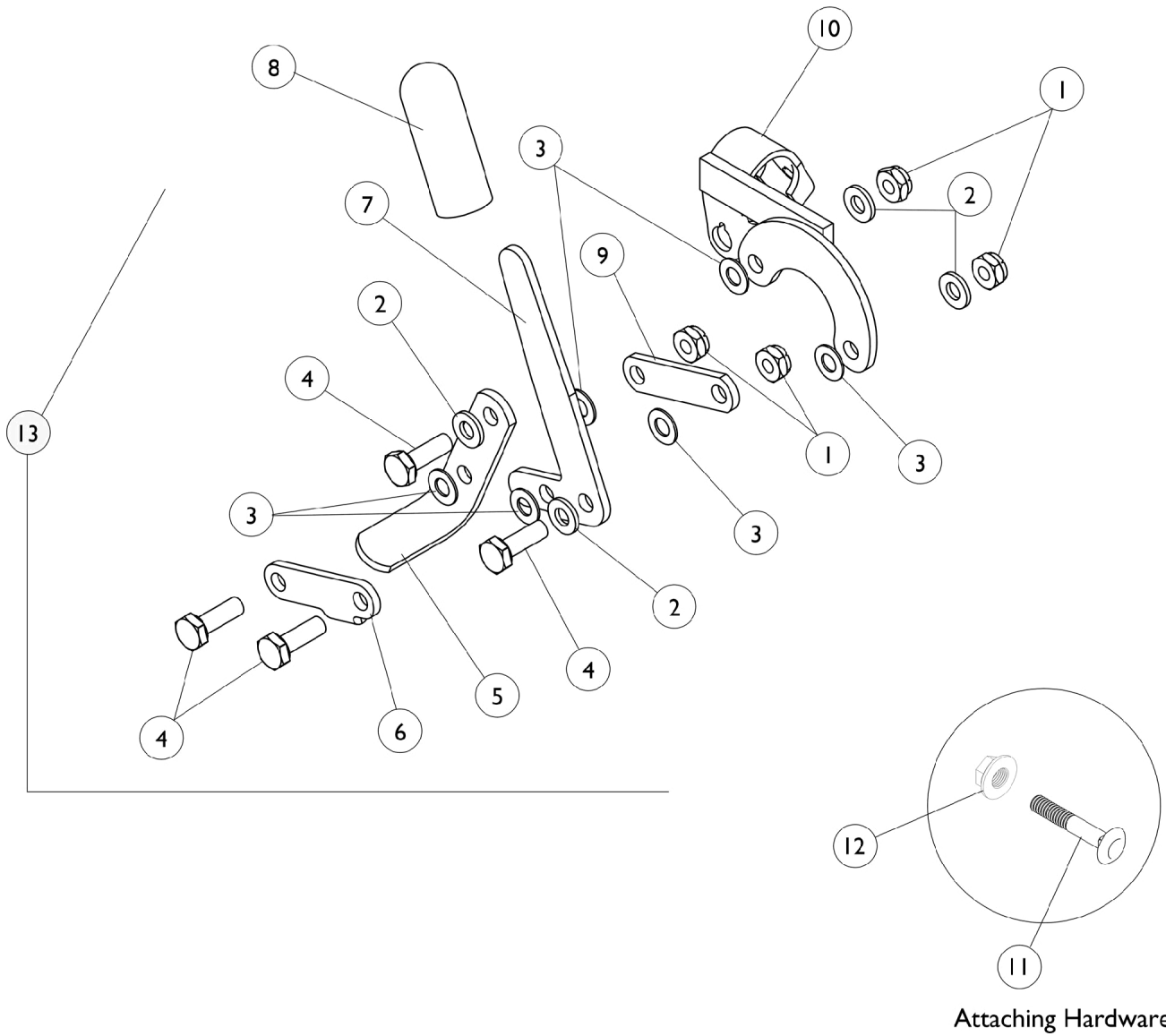
## Projection Handrim Hardware

Part Number	Description	Hardware Kit	Hardware Kit	Hardware Kit
		1062763	1062765	1062764
11008X011	Screw, Phillips Round Head (#10-32 x 1-3/8")	6	--	--
11008X003-NLA	NLA - Screw, Phillip Pan Head (#10-32 x 1 1/4")	--	7	--
16718X000-NLA	Screw, Phillips Pan Head (#10-32 x 7/8")	6	--	--
40163X008	Screw, Phillips Pan Head (#10-32 x 11/16")	--	7	7
1007375	Screw, Phillips Pan Head w/ Patch (#10-32 x 1-3/4")	--	--	7
47559X008	Attaching Link	6	7	7
60279X003	Locknut (#10-32)	6	7	7
1013218	Washer (#10 Flat)	6	7	7
1017870-NLA	Spacer (3/16 x 1/2 x 3/16")	6	--	--
1062516-NLA See Note(s) A	Instruction Sheet, Handrim Hardware	1	1	1

NOTE: A - Item is no longer available from the Invacare Service Parts Department. Refer to the Invacare Website under "Product Literature Search". Enter the part number in the "Keywords" field and download a free PDF version copy.

The quantity in each column is the amount of that item that is in the hardware kit.

# Wheel Lock Non-Recliner with Permanent Arm



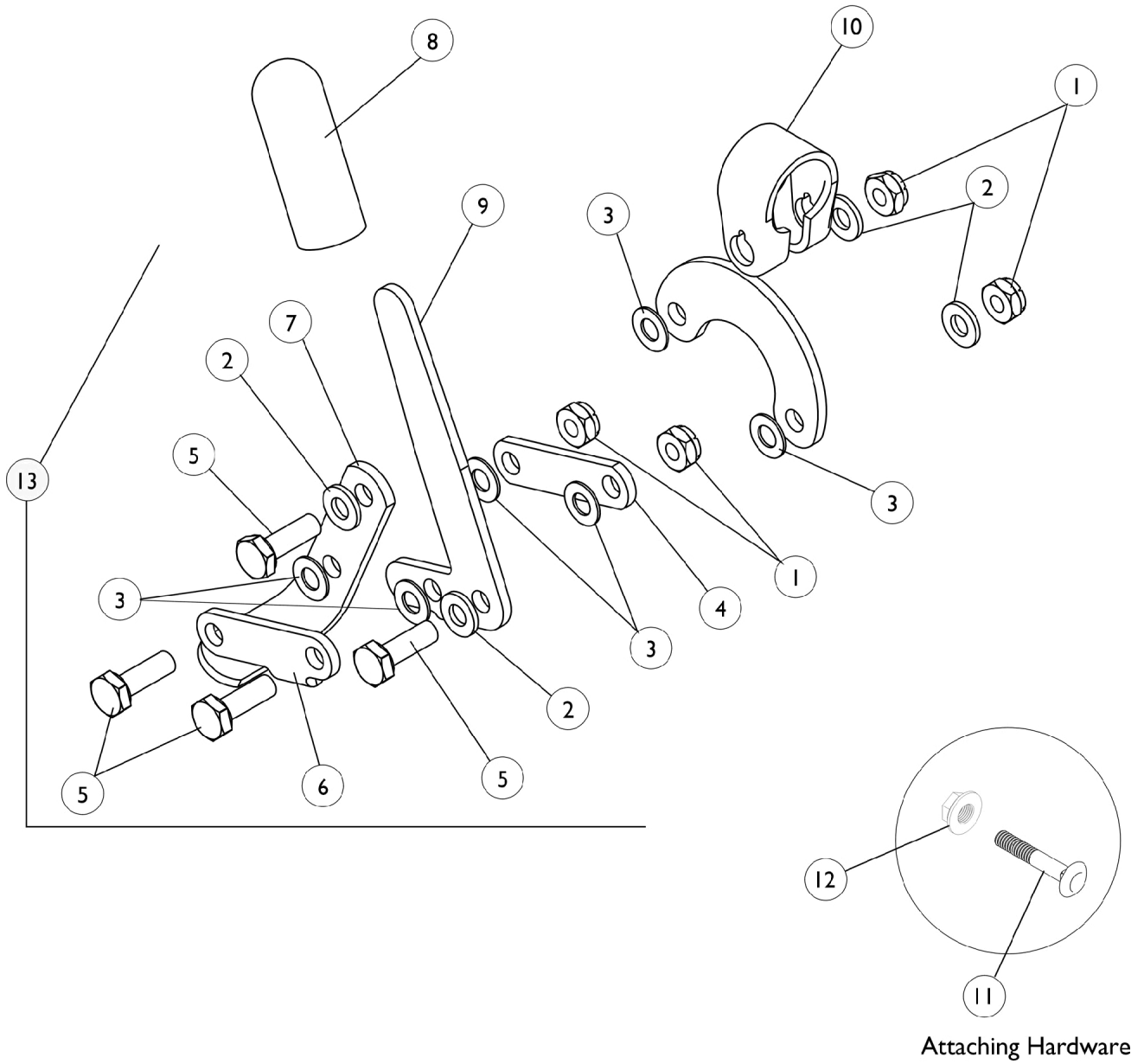


## Wheel Lock Non-Recliner with Permanent Arm

Item Number	Note	Part Number	Description	Quantity Per	
				Package	Assembly
1		7930367-NLA	NLA - Locknut (1/4-28)	25	2
2		1010398	Washer, Nylon (1/4 x 1/2 x 1/16")	1	4
3		7930357-NLA	NLA - Washer, Nylon (1/4 x 1/2 x 1/32")	25	6
4		60274X012-NLA	NLA - Screw, Hex Head (1/4-28 x 3/4")	1	2
5		47559X032-NLA	NLA - Shoe	1	1
6		47559X025-NLA	NLA - Link, Chrome - Right	1	1
6		47559X026-NLA	NLA - Link, Chrome - Left	1	1
7		47559X028-NLA	NLA - Handle, Wheel Lock, Chrome - Right	1	1
7		47559X029-NLA	NLA - Handle, Wheel Lock, Chrome - Left	1	1
8		47376X024	Tip, Rubber Wheel Lock Handle, Black	1	1
8		60133X006-NLA	NLA - Rivet (9/16")	1	2
9		47559X024-NLA	NLA - Link, Flat, Chrome	1	1
10		04512X087-NLA	NLA - Bracket, Mounting - Right	1	1
10		04512X088-NLA	NLA - Bracket, Mounting, Chrome - Left	1	1
11		1107321	Nut, Low Cap (5/16"-24)	1	1
12		11232X009	Bolt, Lug (5/16-24 x 1-3/8")	1	1
13	A	04512X154-NLA	NLA - Wheel Lock, Push to Lock - Right	1	1
13	A	04512X155-NLA	NLA - Wheel Lock, Push to Lock - Left	1	1

NOTE: A - Push to Lock; Includes items 1-10

# Wheel Lock Non-Recliner with Removable Arm

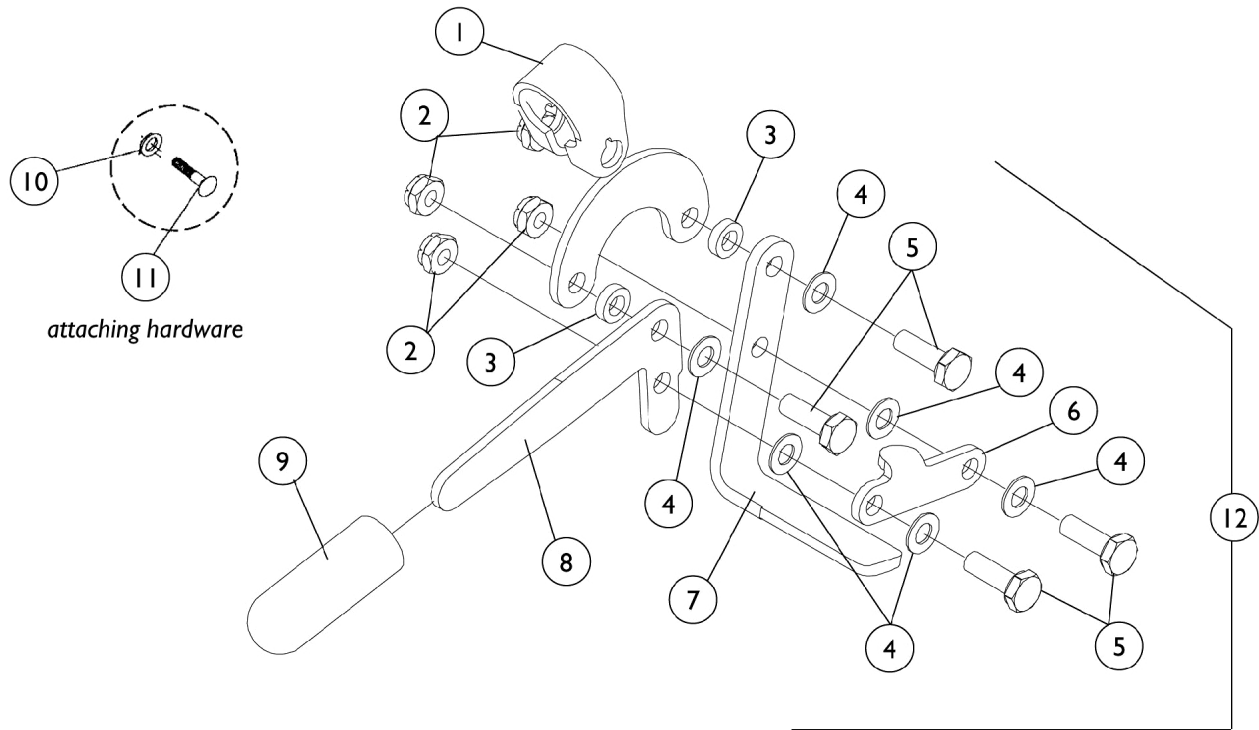


## Wheel Lock Non-Recliner with Removable Arm

Item Number	Note	Part Number	Description	Quantity Per	
				Package	Assembly
1		7930367-NLA	NLA - Locknut (1/4-28)	25	2
3		7930357-NLA	NLA - Washer, Nylon (1/4 x 1/2 x 1/32")	25	6
4		47559X024-NLA	NLA - Link, Flat, Chrome	1	1
5		60274X012-NLA	NLA - Screw, Hex Head (1/4-28 x 3/4")	1	2
6		47559X025-NLA	NLA - Link, Chrome - Right	1	1
6		47559X026-NLA	NLA - Link, Chrome - Left	1	1
7		47559X032-NLA	NLA - Shoe	1	1
8		47376X024	Tip, Rubber Wheel Lock Handle, Black	1	1
9		47559X028-NLA	NLA - Handle, Wheel Lock, Chrome - Right	1	1
9		47559X029-NLA	NLA - Handle, Wheel Lock, Chrome - Left	1	1
10		04512X113-NLA	NLA - Bracket, Mounting, Chrome - Right	1	1
10		04512X114-NLA	NLA - Bracket, Mounting, Chrome - Left	1	1
11		1107321	Nut, Low Cap (5/16"-24)	1	1
12		11232X009	Bolt, Lug (5/16-24 x 1-3/8")	1	1
13	A	1040829-NLA	NLA - Wheel Lock, Pull to Lock - Right	1	1
13	A	1040830-NLA	NLA - Wheel Lock, Pull to Lock - Left	1	1

NOTE: A - Pull to Lock; Includes Items 1-10

# Wheel Lock - Recliner



## Wheel Lock - Recliner

Item Number	Note	Part Number	Description	Quantity Per	
				Package	Assembly
1		04512X113-NLA	NLA - Bracket, Mounting, Chrome - Right	1	1
1		04512X114-NLA	NLA - Bracket, Mounting, Chrome - Left	1	1
2		7930367-NLA	NLA - Locknut (1/4-28)	25	4
3		40157X004	Spacer, Nylon (1/4 x 7/16 x 1/8")	1	2
4		7930357-NLA	NLA - Washer, Nylon (1/4 x 1/2 x 1/32")	25	6
5		60274X012-NLA	NLA - Screw, Hex Head (1/4-28 x 3/4")	1	4
6		47559X025-NLA	NLA - Link, Chrome - Right	1	1
6		47559X026-NLA	NLA - Link, Chrome - Left	1	1
7		1015443-NLA	NLA - Shoe	1	1
8		1023296-NLA	NLA - Handle, Wheel Lock, Chrome	1	1
9		47376X024	Tip, Rubber Wheel Lock Handle, Black	1	1
10		1107321	Nut, Low Cap (5/16"-24)	1	1
11		11232X009	Bolt, Lug (5/16-24 x 1-3/8")	1	1
12	A	1021068	Wheel Lock Assembly w/o Hardware, Black - Right	1	1
12	A	1021069	Wheel Lock Assembly w/o Hardware, Black - Left	1	1

NOTE: A - Pull to Lock (shown). Includes Items 1-9. Chrome is No Longer Available. Order right and left side in Black to match.

# Front Riggings - Index and Calf Pads

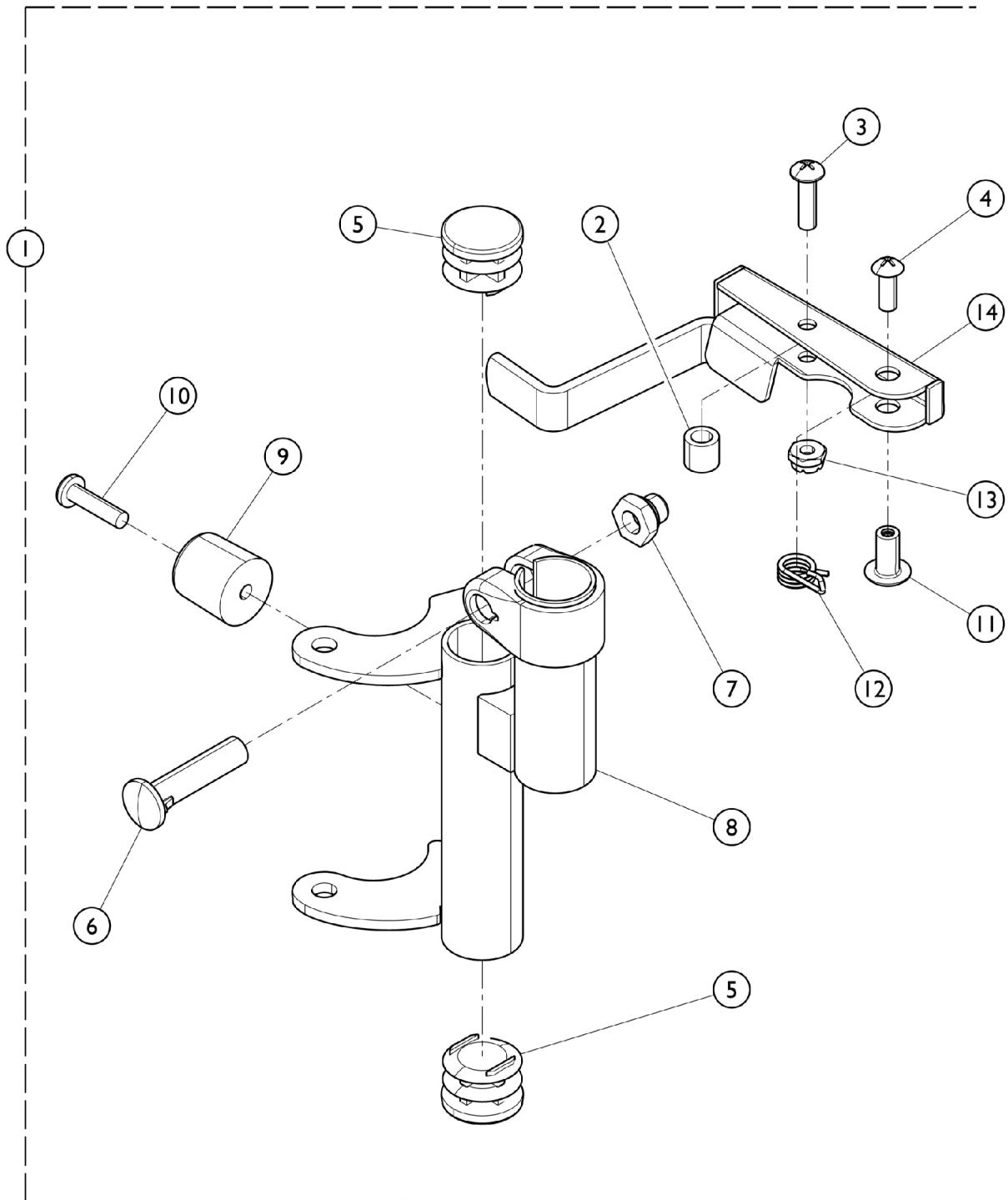
Due to a change to the Legrest Calf Pad size made on 4/23/12, you must also order the hardware kit (1066591) when ordering replacement Calf Pads.

## Calf Pads

Item Number	Note	Part Number	Description	Quantity Per	
				Package	Assembly
	B,F	88804530X003	Pad, Legrest, Vinyl - Right	1	2
	B,F	88804530X004	Pad, Legrest, Vinyl - Left	1	2
	A,C,F	88804529X003	Pad, Legrest, Vinyl - Right	1	2
	A,C,F	88804529X004	Pad, Legrest, Vinyl - Left	1	2
	A,D,F	01415X000-NLA	NLA - Cover, Legrest Pad	1	2
	A,D,F	8881091759	Pad w/ Cover and Screws, Legrest Vinyl (Pair)	2	1
	A,D,F	8881091764	Pad, Legrest, Vinyl - Right/Left	1	2
	E	1066591	Hardware, Legrest Pad	1	1
			Screw, Phillips Pan Head (#10-32 x 11/16")	1	2
			Screw, Phillips Pan Head (#10-32 x 1")	1	2
			Instruction Sheet, Legrest Pad Mtg.	1	1
<p>NOTE: A - Specify upholstery color, see page titled "Packaging and Upholstery Colors"            B - 12" wide chairs            C - 14" wide chairs            D - 16" wide chairs            E - Includes Screws and Instruction Sheet.            F - Due to a change to the Legrest Calf Pad size made on 4/23/12, you must also order the hardware kit (1066591) when ordering replacement Calf Pads.</p>					

# Footrest Support Assembly

91



# Footrest Support Assembly

91

Item Number	Note	Part Number	Description	Quantity Per	
				Package	Assembly
1		1017543-NLA	NLA - Footrest Support Assembly, Adult, Silver Vein - Right	1	1
1		1017544-NLA	NLA - Footrest Support Assembly, Adult, Silver Vein - Left	1	1
2		47565X057	Bushing (7/32 x 3/8 x 11/32")	1	1
3		7930360-NLA	NLA - Package, Screw, Phillips Pan Head (#10-32 x 11/16")	25	1
4		7930359-NLA	NLA - Package, Screw, Phillips Pan Head (#10-32 x 1/2")	25	1
5		1027095	Plug Button, Black (7/8")	1	2
6		11232X009	Bolt, Lug (5/16-24 x 1-3/8")	1	1
7		1107321	Nut, Low Cap (5/16"-24)	1	1
8		1016962-NLA	NLA - Tube, Footrest Support, Adult, Chrome - Right	1	1
8		1016963-NLA	NLA - Tube, Footrest Support, Adult, Chrome - Left	1	1
9		1022874	Bumper	1	1
10		1030979	Screw, Phillips Pan Head Tap (#10-32 x 3/4")	1	1
11		67005X000	Rivnut (#10-32)	1	1
12		1008935	Spring, Release - Right	1	1
12		1008936	Spring, Release - Left	1	1
13		7930365-NLA	NLA - Locknut (#10-32)	25	1
14		1035539	Handle, Release, Black - Right	1	1
14		1035540	Handle, Release, Black - Left	1	1
	A	See Chart	Pivot Slide Tube with Aluminum Footplate	1	1

NOTE: A - Not Shown.

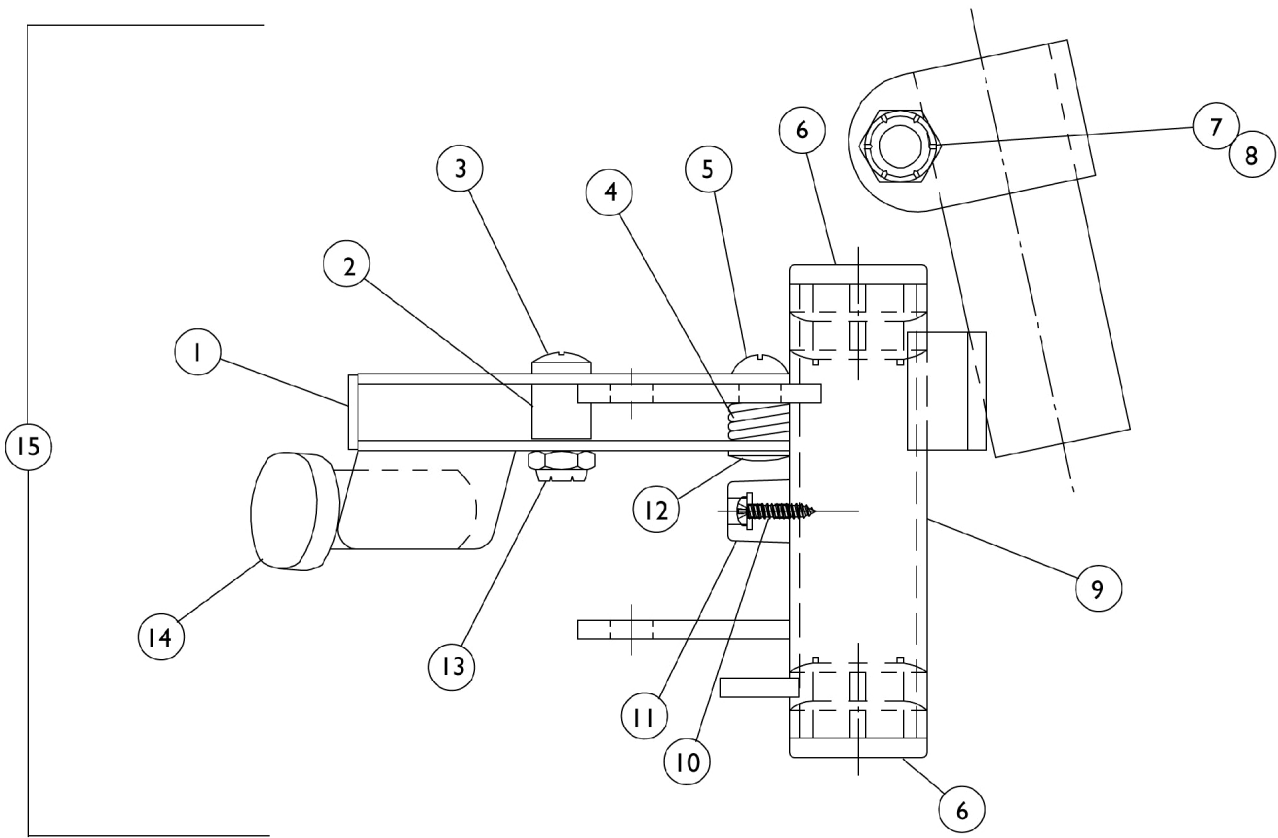
The following pivot slide tubes with footplates are used with the above assembly. For more information on the pivot slide tube or footplates see page titled "Pivot Slide Tube with Footplate"  
 Due to design change, for all chairs built prior to 10/1/00 it is suggested that Release Handles be replaced in pairs.

## Pivot Slide Tube with Aluminum Footplate

Chair Width	Right	Left
12" Width	1017535-NLA	1017536-NLA
14" Width	1018025-NLA	1018026-NLA
16" Width	1018023-NLA	1018024-NLA



# Footrest Support Assembly 93M



# Footrest Support Assembly 93M

Item Number	Note	Part Number	Description	Quantity Per	
				Package	Assembly
1		1035539	Handle, Release, Black - Right	1	1
1		1035540	Handle, Release, Black - Left	1	1
2		47565X057	Bushing (7/32 x 3/8 x 11/32")	1	1
3		7930360-NLA	NLA - Package, Screw, Phillips Pan Head (#10-32 x 11/16")	25	1
4		1008935	Spring, Release - Right	1	1
4		1008936	Spring, Release - Left	1	1
5		7930359-NLA	NLA - Package, Screw, Phillips Pan Head (#10-32 x 1/2")	25	1
6		1027095	Plug Button, Black (7/8")	1	2
7		11232X009	Bolt, Lug (5/16-24 x 1-3/8")	1	1
8		1107321	Nut, Low Cap (5/16"-24)	1	1
9		04706X035-NLA	NLA - Tube, Footrest Support, Adult, Chrome - Right	1	1
9		04706X036-NLA	NLA - Tube, Footrest Support, Adult, Chrome - Left	1	1
10		1030979	Screw, Phillips Pan Head Tap (#10-32 x 3/4")	1	1
11		1022874	Bumper	1	1
12		67005X000	Rivnut (#10-32)	1	1
13		7930365-NLA	NLA - Locknut (#10-32)	25	1
14	A	1006490	Tip, Plastic, Black	1	1
15		1031191-NLA	NLA - Footrest Support Assembly, Adult, Chrome - Right	1	1
15		1031192-NLA	NLA - Footrest Support Assembly, Adult, Chrome - Left	1	1
	B	See Chart	Pivot Slide Tube with Aluminum Footplate	1	1

NOTE: A - Before 10/1/00  
B - Not Shown

The following pivot slide tubes with footplates are used with the above assembly. For more information on the pivot slide tube or footplates see page titled "Pivot Slide Tube with Footplate".

Due to design change, for all chairs built prior to 10/1/00 it is suggested that Release Handles be replaced in pairs.

## Pivot Slide Tube with Aluminum Footplate

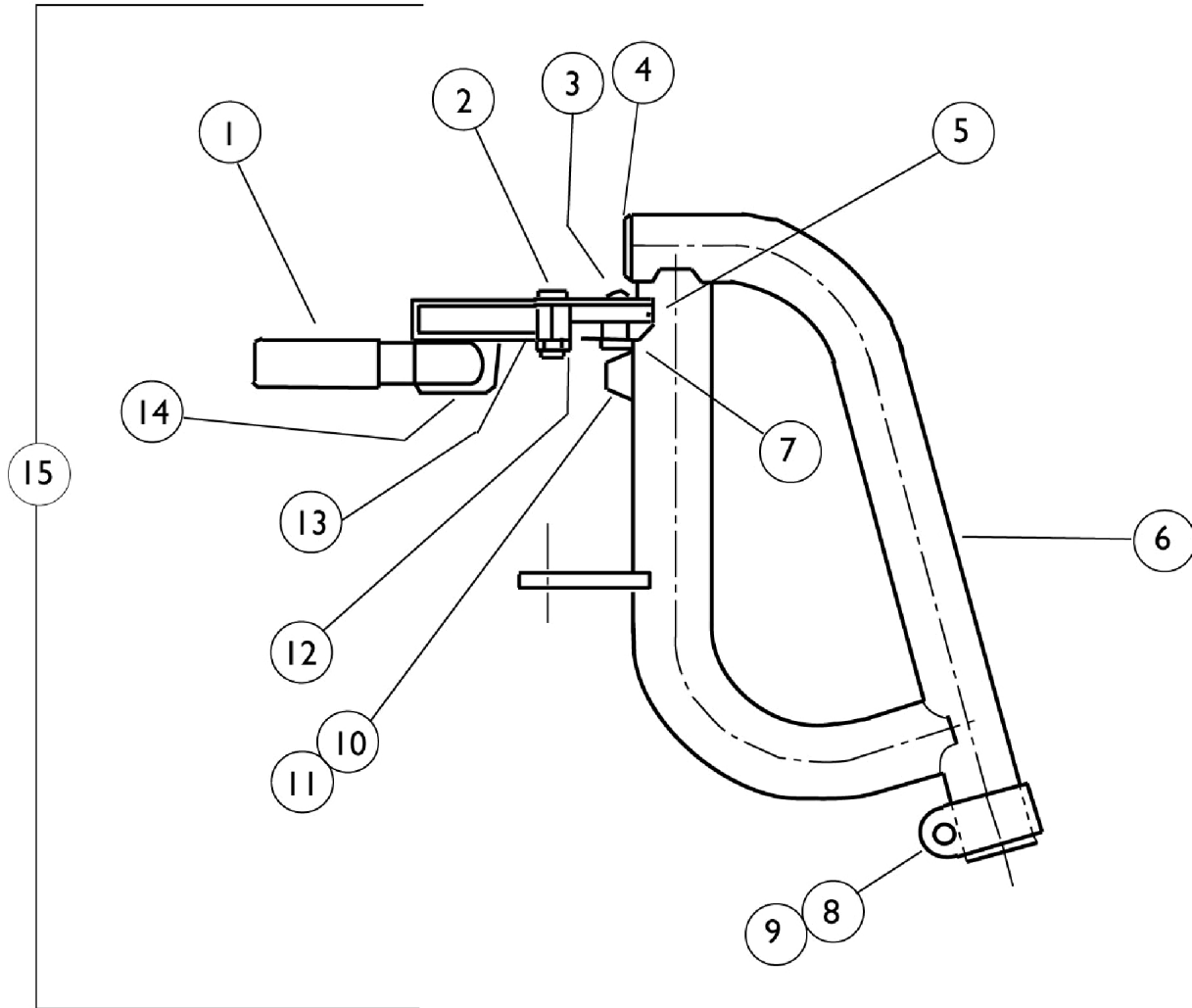
Chair Width	Standard 9-1/2"	2" Longer 11-1/2"	4" Longer 13-1/2"
12"	1007274-NLA See Note(s) A	N/A	N/A
	1007275-NLA See Note(s) B	N/A	N/A
14"	1033506-NLA See Note(s) A	N/A	N/A
	1033507-NLA See Note(s) B	N/A	N/A
16"	1017243-NLA See Note(s) A	1086486-NLA See Note(s) A	1086487-NLA See Note(s) A

# Footrest Support Assembly 93M

## Pivot Slide Tube with Aluminum Footplate

Chair Width	Standard 9-1/2"	2" Longer 11-1/2"	4" Longer 13-1/2"
	1017244-NLA See Note(s) B	1086488-NLA See Note(s) B	1086489-NLA See Note(s) B
NOTE: A - Right B - Left			

# Footrest Support Assembly 93J



# Footrest Support Assembly 93J

Item Number	Note	Part Number	Description	Quantity Per	
				Package	Assembly
1	A	1006490	Tip, Plastic, Black	1	1
2		7930360-NLA	NLA - Package, Screw, Phillips Pan Head (#10-32 x 11/16")	25	1
3		7930359-NLA	NLA - Package, Screw, Phillips Pan Head (#10-32 x 1/2")	25	1
4		1027095	Plug Button, Black (7/8")	1	1
5		1008935	Spring, Release - Right	1	1
5		1008936	Spring, Release - Left	1	1
6		04706X039-NLA	NLA - Tube, Footrest Support, Adult, Chrome - Right	1	1
6		04706X040-NLA	NLA - Tube, Footrest Support, Adult, Chrome - Left	1	1
7		67005X000	Rivnut (#10-32)	1	1
8		7930363-NLA	NLA - Package, Locknut (5/16"-24)	25	1
9		11232X009	Bolt, Lug (5/16-24 x 1-3/8")	1	1
10		1022874	Bumper	1	1
11		1030979	Screw, Phillips Pan Head Tap (#10-32 x 3/4")	1	1
12		7930365-NLA	NLA - Locknut (#10-32)	25	1
13		47565X057	Bushing (7/32 x 3/8 x 11/32")	1	1
14	1035539	Handle, Release, Black - Right	1	1	
14	1035540	Handle, Release, Black - Left	1	1	
15	1031330-NLA	NLA - Footrest Support w/ Release Handle (Tip, Bolt and Locknut) Right	1	1	
15	1031331-NLA	NLA - Footrest Support w/ Release Handle (Tip, Bolt and Locknut) Left	1	1	
	B	See Chart	Pivot Slide Tube with Aluminum Footplate	1	1

NOTE: A - Before 10/1/00  
B - Not Shown

The following pivot slide tubes with footplates are used with the above assembly. For more information on the pivot slide tube or footplates see page titled "Pivot Slide Tube with Footplate"  
Due to design change, for all chairs built prior to 10/1/00 it is suggested that Release Handles be replaced in pairs.

## Pivot Slide Tube with Aluminum Footplate

Chair Width	Standard 9-1/2"	2" Longer 11-1/2"	4" Longer 13-1/2"
14"	1020232-NLA See Note(s) A	N/A	N/A
14"	1020233-NLA See Note(s) B	N/A	N/A
16"	1017243-NLA See Note(s) A	1086486-NLA See Note(s) A	1086487-NLA See Note(s) A
16"	1017244-NLA See Note(s) B	1086488-NLA See Note(s) B	1086489-NLA See Note(s) B

# Footrest Support Assembly

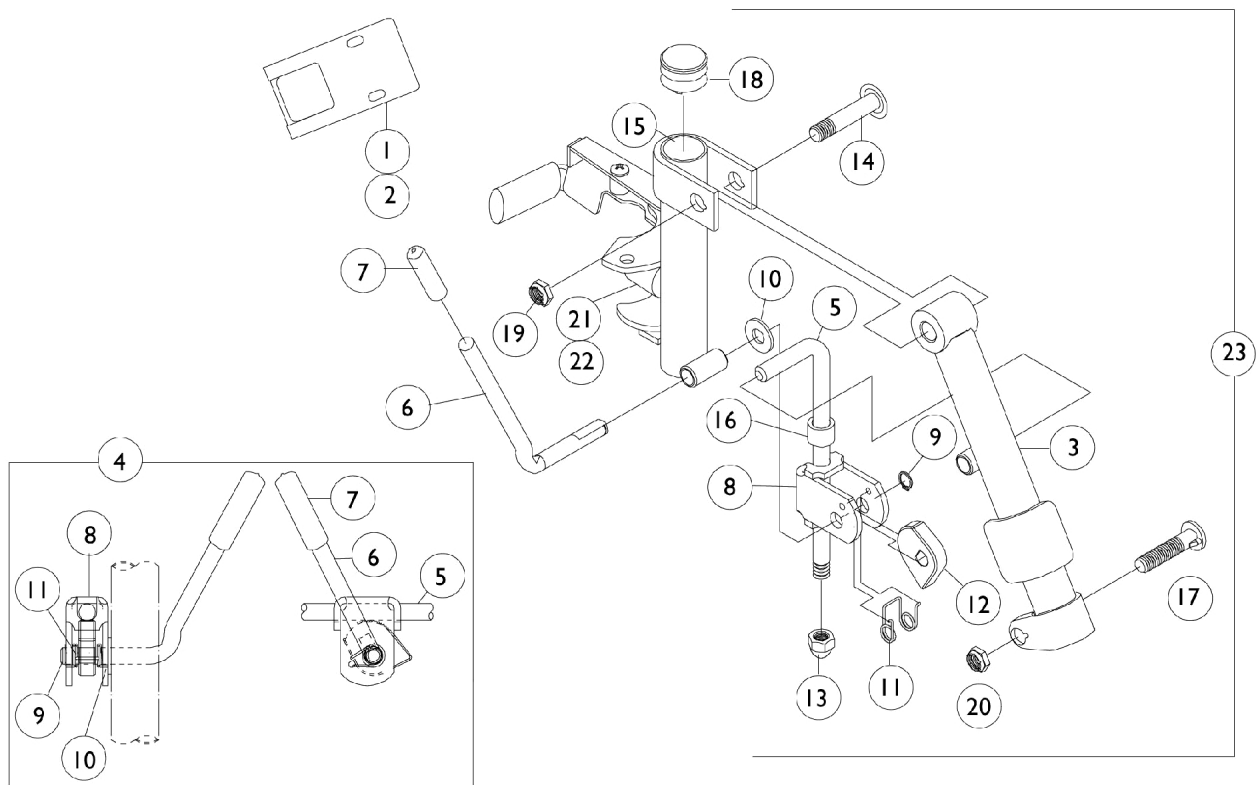
## 93J

NOTE: A - Right  
B - Left

# Legrest Support Assembly

## 92 - (12', 14", 16" Wide Chairs)

Calf Pads are not included with support assembly. Please refer to "Front Riggings Index and Calf Pads" category.



# Legrest Support Assembly

## 92 - (12', 14", 16" Wide Chairs)

Calf Pads are not included with support assembly. Please refer to "Front Riggings Index and Calf Pads" category.

Item Number	Note	Part Number	Description	Quantity Per	
				Package	Assembly
1		47352X003	Lock, Pad Plate, Legrest, Black	1	1
2		47352X004	Clamp, Black	1	1
3	F	04526X006-NLA	NLA - Tube, Elevating Support, Chrome - Right	1	1
3	F	04526X007-NLA	NLA - Tube, Elevating Support, Chrome - Left	1	1
3	G	04526X002-NLA	NLA - Tube, Support, Legrest, Elevating, Chrome - Right	1	1
3	G	04526X003-NLA	NLA - Tube, Support, Legrest, Elevating, Chrome - Left	1	1
3	H	04526X004-NLA	NLA - Tube, Elevating Support, Chrome - Right	1	1
3	H	04526X005-NLA	NLA - Tube, Elevating Support, Chrome - Left	1	1
4	A,E	1046328-NLA	NLA - Kit, Ratchet	1	1
5		42326X001	Bar, Ratchet	1	1
6	A	1037126	Handle, Release	1	1
7	C	1040060	Tip, Plastic, Black	1	1
7	D	1006490	Tip, Plastic, Black	1	1
8	A	04528X002	Bracket, Release, Black	1	1
9	B,C	1040831	Ring, Snap	1	1
9	B,D	40187X000-NLA	NLA - Pin, Roll (1/8" x 9/16")	1	1
10		7930310-NLA	NLA - Washer, Nylon (5/16 x 11/16 x 1/16")	25	1
11	A	1037485	Spring, Release	1	1
12	A	1037125	Cam, Legrest	1	1
13		7930336-NLA	NLA - Nut, Acorn (5/16-24)	25	1
14		11919X000-NLA	NLA - Screw, Slotted Truss Head (3/8-16 x 1-1/2")	1	1
15		1031481-NLA	NLA - Legrest Support Tube Assembly, Adult, Chrome - Right	1	1
15		1031482-NLA	NLA - Legrest Support Tube Assembly, Adult, Chrome - Left	1	1
16		47330X003	Spacer (5/16 x 1/2 x 3/8")	1	1
17		11232X009	Bolt, Lug (5/16-24 x 1-3/8")	1	1
18		1027095	Plug Button, Black (7/8")	1	1
19		40363X000	Hex Nut (3/8"-16)	1	1
20		1107321	Nut, Low Cap (5/16"-24)	1	1
21		1022874	Bumper	1	1
22		1030979	Screw, Phillips Pan Head Tap (#10-32 x 3/4")	1	1
23	C,F	1031485-NLA	NLA - Legrest Support Assembly, Adult, Silver Vein - Right	1	1
23	C,F	1031486-NLA	NLA - Legrest Support Assembly, Adult, Silver Vein - Left	1	1
23	D,G	1031487-NLA	NLA - Legrest Support Assembly, Adult, Silver Vein - Right	1	1
23	D,G	1031488-NLA	NLA - Legrest Support Assembly, Adult, Silver Vein - Left	1	1



# Legrest Support Assembly

## 92 - (12', 14", 16" Wide Chairs)

Calf Pads are not included with support assembly. Please refer to "Front Riggings Index and Calf Pads" category.

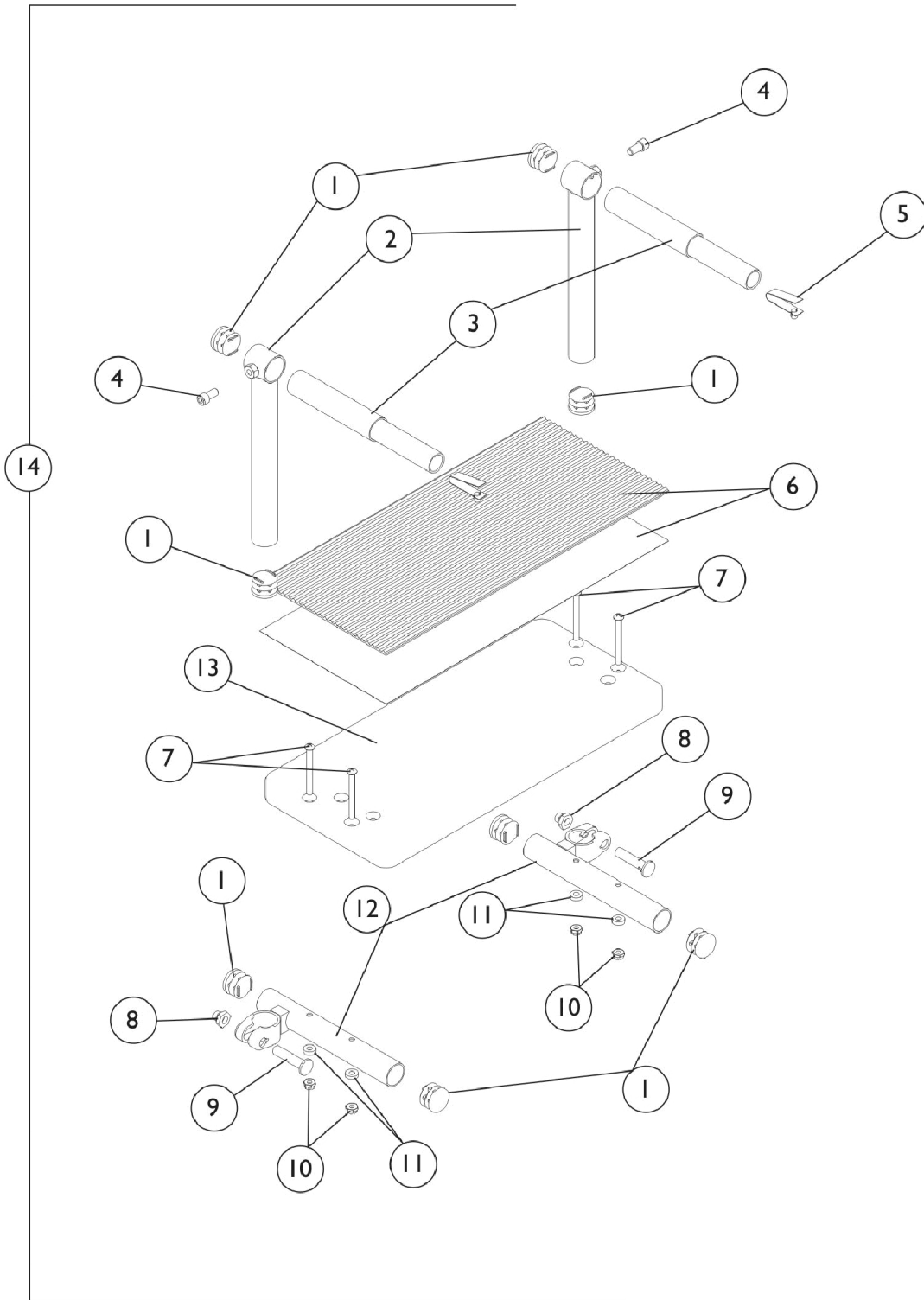
Item Number	Note	Part Number	Description	Quantity Per	
				Package	Assembly
23	H	1031483-NLA	NLA - Legrest Support Assembly, Adult, Chrome - Right	1	1
23	H	1031484	Legrest Support Assembly, Adult, Chrome - Left	1	1
	I	See Chart	Pivot Slide Tube with Aluminum Footplate	1	1
NOTE: A - Due to product improvement - items 6, 8, 11, and 12 are NLA for chairs built before 6/94. Ratchet Bar Kit (item 4) must be ordered for those chairs. B - After 5/94, the snap ring replaced the roll pin to attach the ratchet handle to the ratchet. C - After 5/94 D - Before 6/94 E - Includes items 5-13 F - 12" Wide Chairs G - 14" Wide Chairs H - 16" Wide Chairs I - Not Shown					

### Pivot Slide Tube with Aluminum Footplate

Chair Width	Standard 9-1/2"	2" Longer 11-1/2"	4" Longer 13-1/2"
12"	1007280-NLA See Note(s) A	N/A	N/A
	1007281-NLA See Note(s) B	N/A	N/A
14"	1007271-NLA See Note(s) A	N/A	N/A
	1007272-NLA See Note(s) B	N/A	N/A
16"	1017237-NLA See Note(s) A	1086525-NLA See Note(s) A	1086526-NLA See Note(s) A
	1017238-NLA See Note(s) B	1086527-NLA See Note(s) B	1086528-NLA See Note(s) B
NOTE: A - Right B - Left  The following pivot slide tubes with footplates are used with the above assembly. For more information on the pivot slide tube or footplates, see page titled "Pivot Slide Tube with Footplate."			

# One Piece Footrest - Adjustable

89



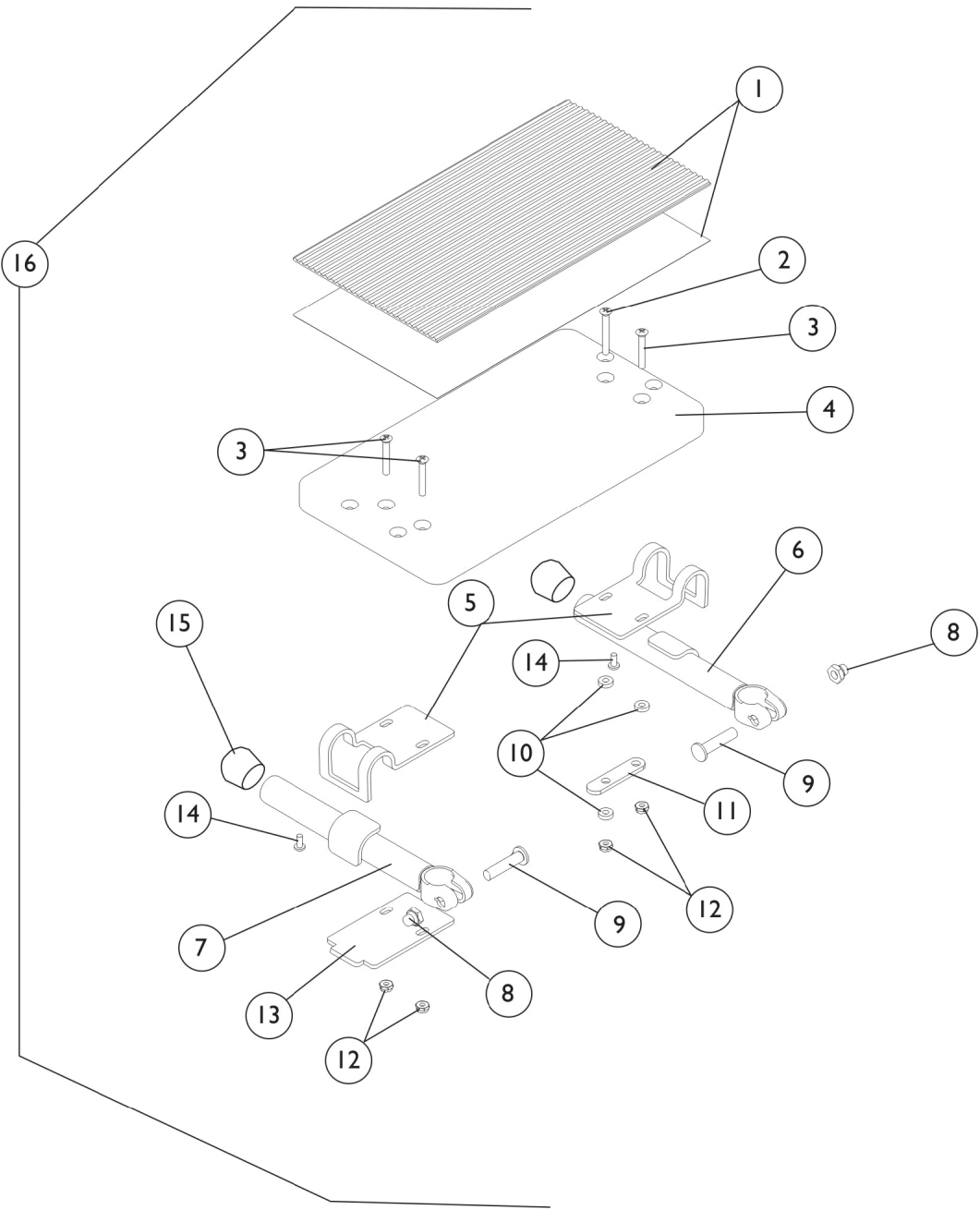
# One Piece Footrest - Adjustable

89

Item Number	Note	Part Number	Description	Quantity Per	
				Package	Assembly
1	A	04685X001-NLA	NLA - Button, Spring Push	1	1
1	B	40188X009	Button, Single Snap	1	1
2		04470X136-NLA	NLA - Tube, Pivot Spacer	1	1
3		04470X137-NLA	NLA - Tube, Pivot, Insert	1	1
4		60284X001	Screw, Socket Head (1/4-20 x 1/2")	1	1
6	C	48247X011-NLA	NLA - Footboard w/o Hardware	1	1
6	D	48247X012-NLA	NLA - Footboard w/o Hardware	1	1
6	E	48247X013-NLA	NLA - Footboard w/o Hardware	1	1
7		40183X004-NLA	NLA - Screw (#10-32 x 1-7/8")	1	2
8		1107321	Nut, Low Cap (5/16"-24)	1	1
9		11232X009	Bolt, Lug (5/16-24 x 1-3/8")	1	1
10		7930365-NLA	NLA - Locknut (#10-32)	25	2
11		16347X000-NLA	NLA - Washer, Nylon (3/16 x 7/16 x 1/8")	1	2
12		04470X138-NLA	NLA - Support, Footboard	1	1
13	C	1017528-NLA	NLA - Mat Footboard	1	1
13	D	1016951-NLA	NLA - Mat Footboard	1	1
13	E	1016952-NLA	NLA - Mat Footboard	1	1
14	C	04706X079-NLA	NLA - Footrest Assembly, One Piece Adjustable, Chrome	1	1
14	D	04706X080-NLA	NLA - Footrest Assembly, One Piece Adjustable, Chrome	1	1
14	E	04706X081-NLA	NLA - Footrest Assembly, One Piece Adjustable, Chrome	1	1
NOTE: A - Before 7/98 B - After 6/98 C - 12" Wide Chairs D - 14" Wide Chairs E - 16" Wide Chairs					

# One Piece Footrest - Non-Adjustable

95



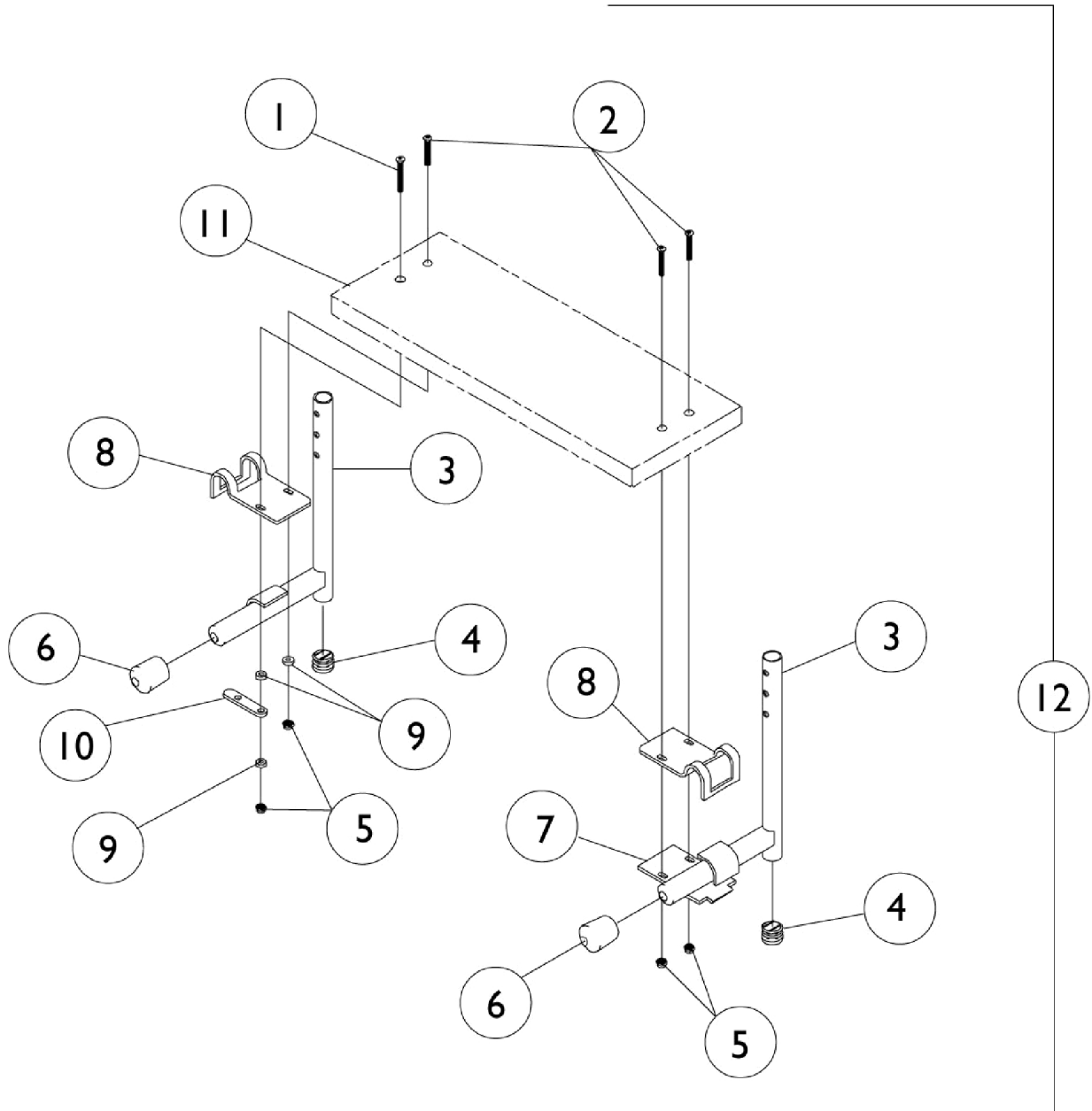
# One Piece Footrest - Non-Adjustable

95

Item Number	Note	Part Number	Description	Quantity Per	
				Package	Assembly
1	A	1017528-NLA	NLA - Mat Footboard	1	1
1	B	1016951-NLA	NLA - Mat Footboard	1	1
1	C	1016952-NLA	NLA - Mat Footboard	1	1
2		18860X005-NLA	NLA - Screw, Phillips Oval Head (#10-32 x 1-1/2")	1	1
3		11008X002-NLA	NLA - Screw, Phillips Oval Head (#10-32 x 1-1/4")	1	3
4	A	48247X011-NLA	NLA - Footboard w/o Hardware	1	1
4	B	48247X012-NLA	NLA - Footboard w/o Hardware	1	1
4	C	48247X013-NLA	NLA - Footboard w/o Hardware	1	1
5		47352X004	Clamp, Black	1	2
6		04470X052-NLA	NLA - Tube, Pivot - Right	1	1
7		04470X053-NLA	NLA - Tube, Pivot - Left	1	1
8		1107321	Nut, Low Cap (5/16"-24)	1	2
9		11232X009	Bolt, Lug (5/16-24 x 1-3/8")	1	2
10		16347X000-NLA	NLA - Washer, Nylon (3/16 x 7/16 x 1/8")	1	3
11		47559X030-NLA	NLA - Link, Locking, Chrome	1	1
12		60279X003	Locknut (#10-32)	1	4
13		47352X003	Lock, Pad Plate, Legrest, Black	1	1
14		40120X001	Screw, Phillips Pan Head (#8-32 x 3/8")	1	2
15		1016346	Cap, End, Tube, Black (7/8")	1	2
16	A	1017530-NLA	NLA - Footrest Assembly, One Piece Non-Adjustable, Chrome	1	1
16	B	1016955-NLA	NLA - Footrest Assembly, One Piece Non-Adjustable, Chrome	1	1
16	C	1016956	Footrest Assembly, One Piece Non-Adjustable, Chrome	1	1
NOTE: A - 12" Wide Chairs B - 14" Wide Chairs C - 16" Wide Chairs					

# One Piece Wooden Footboard

1263

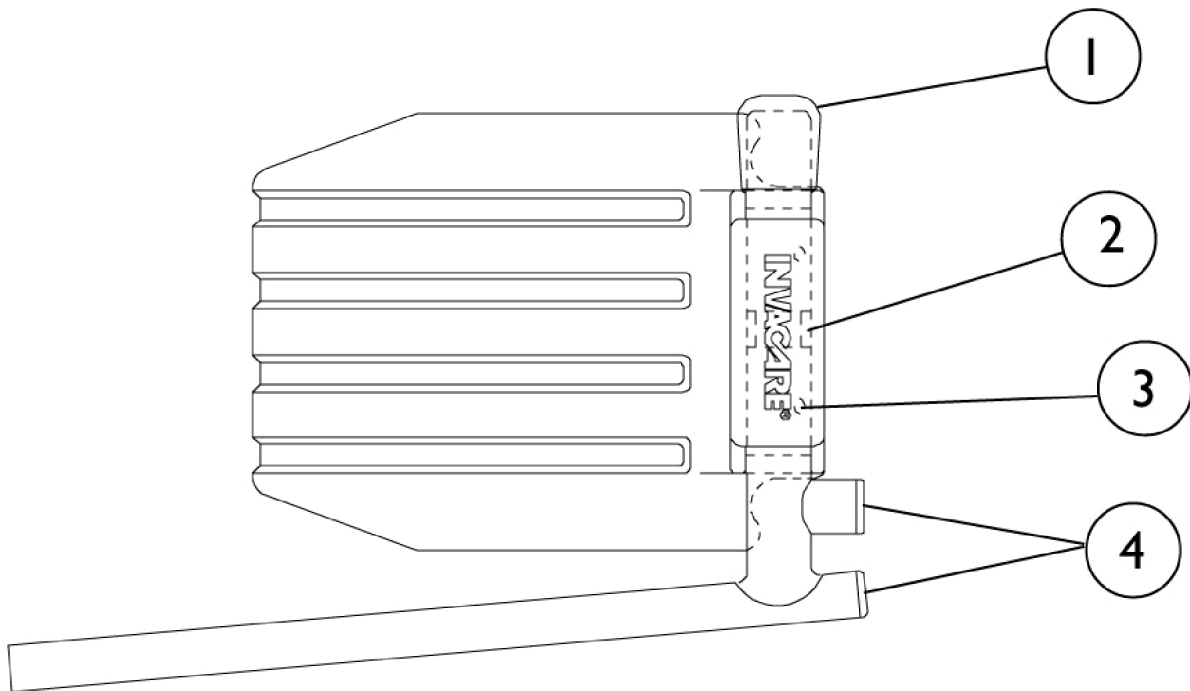


# One Piece Wooden Footboard

## 1263

Item Number	Note	Part Number	Description	Quantity Per	
				Package	Assembly
1		18860X005-NLA	NLA - Screw, Phillips Oval Head (#10-32 x 1-1/2")	1	1
2		11008X002-NLA	NLA - Screw, Phillips Oval Head (#10-32 x 1-1/4")	1	3
3		04470X050-NLA	NLA - Tube, Slide - Right	1	1
3		04470X051-NLA	NLA - Tube, Slide - Left	1	1
4		1027097	Plug Button, Black (3/4")	1	2
5		7930365-NLA	NLA - Locknut (#10-32)	25	4
6		1016346	Cap, End, Tube, Black (7/8")	1	2
7		47352X003	Lock, Pad Plate, Legrest, Black	1	1
8		47352X004	Clamp, Black	1	2
9		16347X000-NLA	NLA - Washer, Nylon (3/16 x 7/16 x 1/8")	1	3
10		47559X030-NLA	NLA - Link, Locking, Chrome	1	1
11	A	48247X002-NLA	NLA - Footboard w/o Hardware	1	1
11	B	48247X003-NLA	NLA - Footboard w/o Hardware	1	1
11	C	48247X001-NLA	NLA - Footboard w/o Hardware	1	1
12	A	1036915-NLA	NLA - One Piece Wooden Footboard	1	1
12	B	1037651-NLA	NLA - One Piece Wooden Footboard	1	1
12	C	1037650-NLA	NLA - One Piece Wooden Footboard	1	1
NOTE: A - 12" Wide Chairs B - 14" Wide Chairs C - 16" Wide Chairs					

# Pivot Slide Tube with Footplate





## Pivot Slide Tube with Footplate

Item Number	Note	Part Number	Description	Quantity Per	
				Package	Assembly
1		1016346	Cap, End, Tube, Black (7/8")	1	1
2		1006981	Spring, Tension	1	1
3		7930354-NLA	NLA - Package, Phillips Head Screw (#8-32 x 3/8")	25	1
4		1027097	Plug Button, Black (3/4")	1	2
	A	See Chart	Pivot Slide Tube with Footplate	1	1

NOTE: A - Not Shown

These items are common parts for all Pivot Slide Tube with Footplate Assemblies

Front Rigging	Chair Width	Support Assembly	Support Assembly	Aluminum Footplates	Pivot Slide Tube	Pivot Slide Tube	Pivot Slide Tube
.	.	Right	Left	See Note(s) A	Standard 9-1/2"	2" Longer 11-1/2"	4" Longer 13-1/2"
91	12"	1017535-NLA	1017536-NLA	44200X032-NLA	1041776-NLA	N/A	N/A
	14"	1018025-NLA	1018026-NLA	44200X059	1041776-NLA	N/A	N/A
	16"	1018023-NLA	1018024-NLA	44200X027	1041776-NLA	N/A	N/A
92	12"	1007280-NLA	1007281-NLA	44200X032-NLA	1041775-NLA	N/A	N/A
	14"	1007271-NLA	1007272-NLA	44200X059	1041775-NLA	N/A	N/A
	16"	1017237-NLA	1017238-NLA	44200X027	7500085-NLA	1086525-NLA	1086526-NLA
						1086527-NLA	1086528-NLA
93J	14"	1020232-NLA	1020233-NLA	44200X059	1041528-NLA	N/A	N/A
	16"	1017243-NLA	1017244-NLA	44200X027	1041528-NLA	1086486-NLA	1086487-NLA
						1086488-NLA	1086489-NLA
93M	12"	1007274-NLA	1007275-NLA	44200X032-NLA	1041528-NLA	N/A	N/A
	14"	1033506-NLA	1033507-NLA	44200X059	1041528-NLA	N/A	N/A
	16"	1017243-NLA	1017244-NLA	44200X027	1041528-NLA	1086486-NLA	1086487-NLA
						1086488-NLA	1086489-NLA

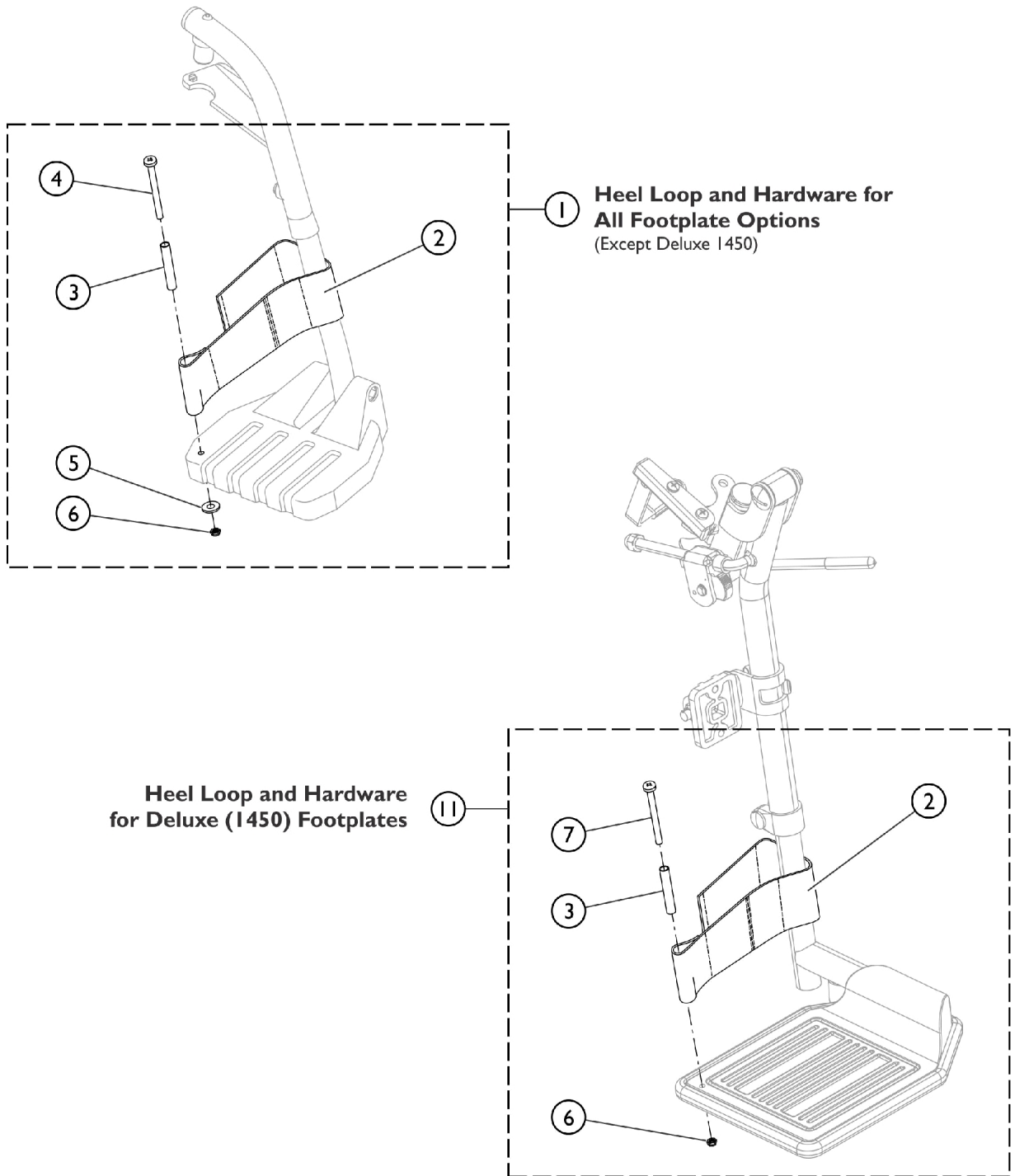
NOTE: A - Aluminum footplates on chairs built before 2/96 had a "Ball Burnish" finish. Footplates after 1/96 now have a black finish. When replacing 1 ball burnish footplate it is suggested that 2 new (black) footplates be ordered.

# Footrest and Legrest Accessories

## Footrest and Legrest Accessories

Part Number	Package Quantity
1036657-NLA NLA - Calf Strap w/ Hook and Loop See Note(s) B	1
1035902 Strap, Calf w/ Hook and Loop (31" L) See Note(s) C	1
1035905 Heel Loop, Small (Pair) See Note(s) D	1
1035917-NLA NLA - Heel Loop (Pair) See Note(s) E	1
1035906 Heel Loop w/ Ankle Strap, Small (Pair) See Note(s) D	1
1035918 Heel Loop w/ Ankle Strap (Pair) See Note(s) E	1
1035926 Hardware, Heel Loop, Aluminum Footplate (Pair)	1
8881006725-NLA NLA - Panel, Legrest See Note(s) A	1
1143050	1
1037087 Toe Loops without Hardware (Pair)	1
1037088 Hardware, Toe Loop (Pair)	1
NOTE: A - Specify upholstery color, see page titled "Packaging and Upholstery Colors." B - 12" Wide Chairs C - 14-16" Wide Chairs D - 12-14" Wide Chairs E - 16" Wide Chairs	

# Front Riggings - Adjustable Heel Loops



SCM\_058A

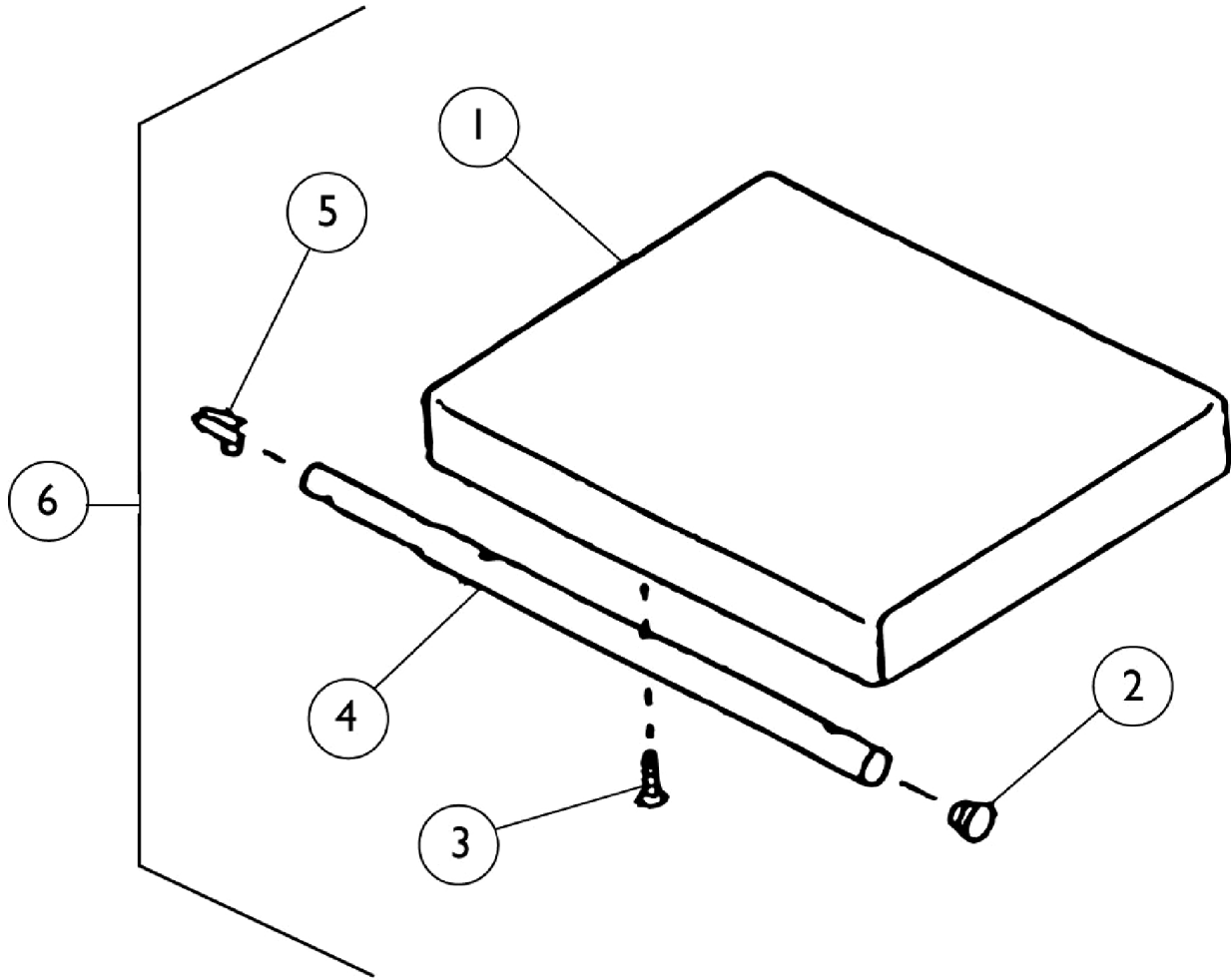
## Front Riggings - Adjustable Heel Loops

Item Number	Note	Part Number	Description	Quantity Per	
				Package	Assembly
1	A	1191117	Kit, Heel Loop, Adjustable w/ Hardware (Pair)	1	1
2			Heel Loop	1	2
3			NLA - Spacer (1/4 x 11/32 x 1-3/4")	1	2
4			NLA - Screw, Phillips Pan Head (1/4-20 x 2-1/4")	1	2
5			Washer, Flat (1/4 x 5/8 x 1/16")	1	2
6			Nut, Hex, Nylon Cap (1/4-20)	1	2
			Instruction Sheet, Adjustable Heel Loop	1	1
11	B	1191116	Kit, Heel Loop, Adjustable w/ Hardware, Deluxe 1450 (Pair)	1	1
2			Heel Loop	1	2
3			NLA - Spacer (1/4 x 11/32 x 1-3/4")	1	2
6			Nut, Hex, Nylon Cap (1/4-20)	1	2
7			NLA - Screw, Phillips Pan Head (1/4-20 x 2-1/2")	1	2
			Instruction Sheet, Adjustable Heel Loop	1	1

NOTE: A - Kit includes items 2 - 6. Used with All Footplates except Deluxe (1450).  
 B - Kit includes items 2, 3, 6, and item 7. Used with Deluxe (1450) Footplates only.

# Seat Extended Legrest

88



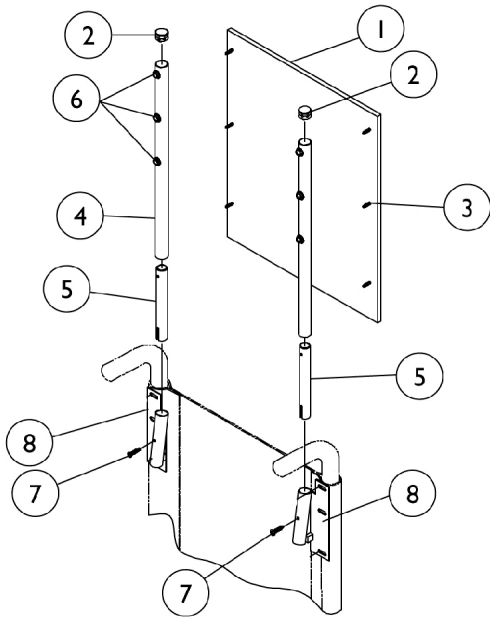
# Seat Extended Legrest

## 88

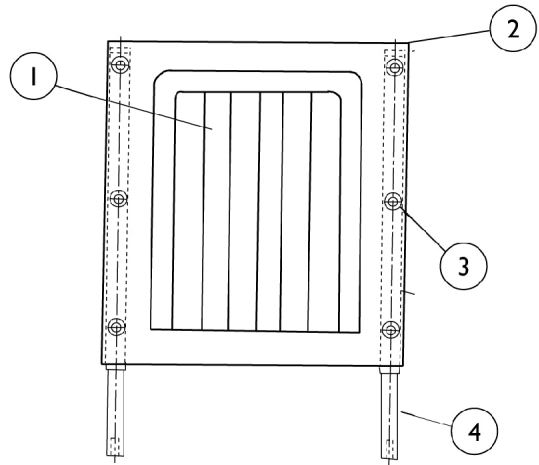
Item Number	Note	Part Number	Description	Quantity Per	
				Package	Assembly
1	A	04529X035-NLA	NLA - Pad, Legrest (12" W)	1	1
1	A	04529X036-NLA	NLA - Pad, Legrest (14" W)	1	1
1	A	04529X037-NLA	NLA - Pad, Legrest (16" W)	1	1
2		1027095	Plug Button, Black (7/8")	1	1
3		48127X001-NLA	NLA - Screw, Phillips Round Head (#10-32 x 1/2")	1	1
4		01058X005-NLA	NLA - Tube, Seat Extension	1	1
5		40188X009	Button, Single Snap	1	1
6	A	04706X082-NLA	NLA - Seat Extended Legrest Assembly (12" W)	1	1
6	A	04706X072-NLA	NLA - Seat Extended Legrest Assembly (14" W)	1	1
6	A	04706X074-NLA	NLA - Seat Extended Legrest Assembly (16" W)	1	1

NOTE: A - Upholstery color is only available in U16 Light Blue Heavyweight Vinyl.

# Headrest Extension - Non-Recliner



**16" Wide Non-Reclining Chairs**



**14" Wide Non-Recliner Chairs**

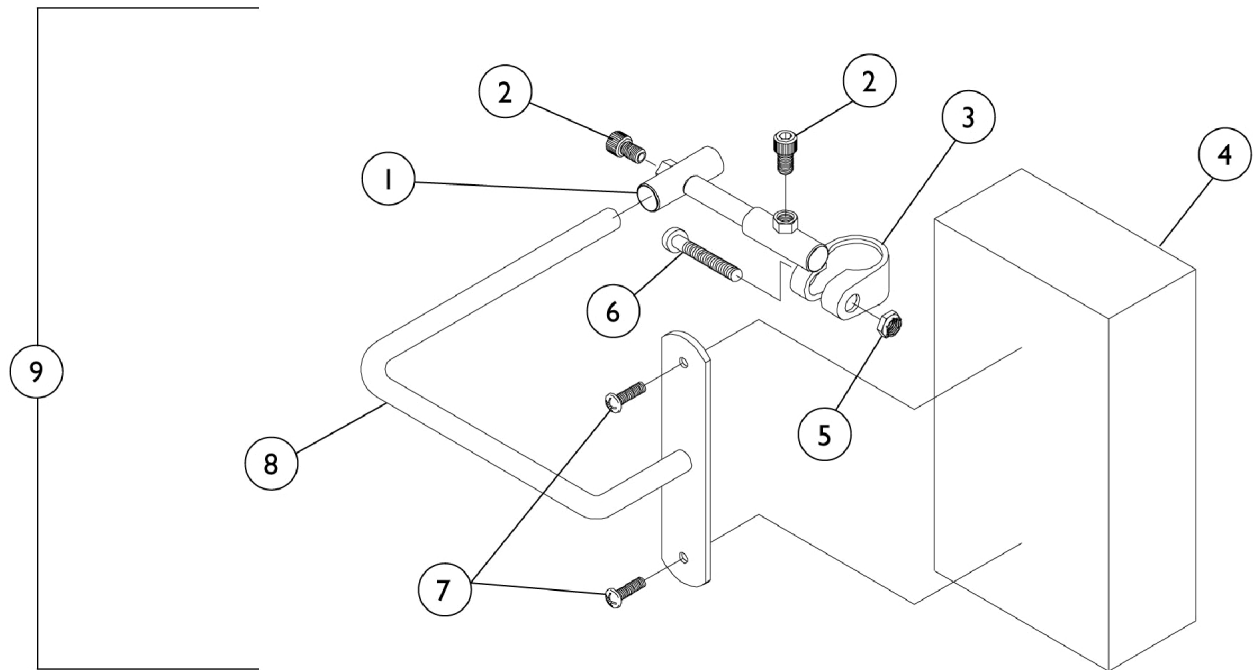
## Headrest Extension - Non-Recliner

Item Number	Note	Part Number	Description	Quantity Per	
				Package	Assembly
1	B,C	88801066X000-NLA	NLA - Upholstery, Headrest	1	1
1	B,D	8881054615-NLA	NLA - Upholstery, Headrest	1	1
2		1027095	Plug Button, Black (7/8")	1	2
3		1076283	Screw, Phillips Oval Head w/ Washer (#10-16 x 7/8")	1	6
3		1041541	Package, Screw Phillips Csunk Oval Head w/ Washer (#10-16 x 7/8") (12 ea.)	12	1
4	A,C	1011725-NLA	NLA - Headrest Extension Tube Assembly	1	2
4	D	01058X000-NLA	NLA - Tube, Headrest Extension	1	2
4	A,C	1054610-NLA	NLA - Headrest Extension Tube w/o Snap Fasteners Assembly	1	2
4	D	1054604-NLA	NLA - Tube, Headrest Extension	1	2
5	C	48811X004-NLA	NLA - Insert, Tube	1	2
5	A,D	48811X003	Tube, Insert	1	2
6		47447X009-NLA	NLA - Screw, Phillips (#8 x 3/8")	1	6
7		48127X002-NLA	NLA - Screw, Phillips Pan Head (#10-32 x 5/8")	1	1
8		04546X005-NLA	NLA - Bracket, Chrome	1	2
9	B,C	8881054614-NLA	NLA - Headrest Extension Assembly	1	1
9	B,D	1054613	Headrest Extension Assembly	1	1

NOTE: A - For 14" wide chairs built after 6-14-94, the insert tube is now part of the extension tube (item 4) and cannot be purchased separately.  
 B - Specify upholstery color, see page titled "Packaging and Upholstery Colors"  
 C - 14" Wide Chairs  
 D - 16" Wide Chairs



# Head Support

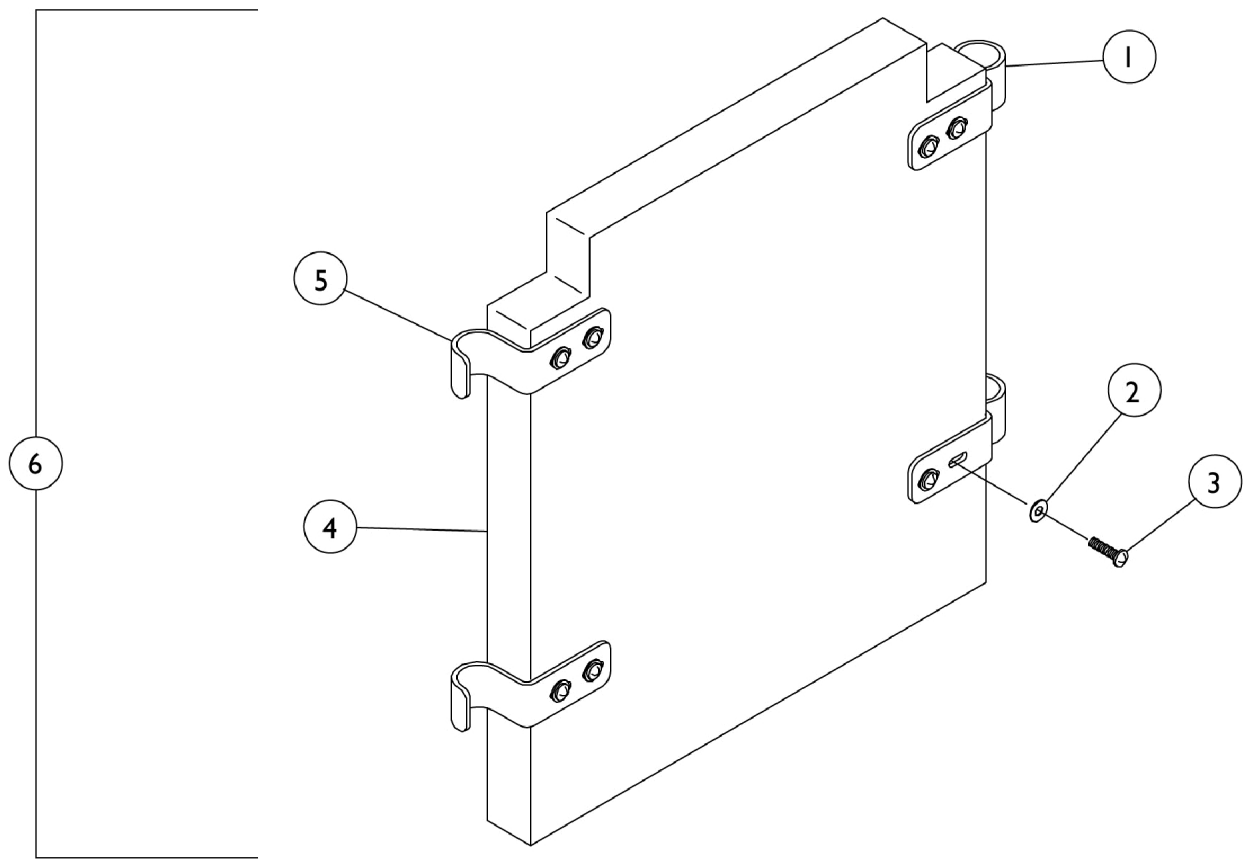


# Head Support

Item Number	Note	Part Number	Description	Quantity Per	
				Package	Assembly
1		03018X042	Wing Bracket Assembly, Chrome	1	1
2		60284X001	Screw, Socket Head (1/4-20 x 1/2")	1	1
3		03018X043	Bracket, Clamp, Black- Right	1	1
3		03018X046	Bracket, Clamp, Black - Left	1	1
4	A	88804529X040-NLA	NLA - Pad, Headrest	1	1
5		7930363-NLA	NLA - Package, Locknut (5/16"-24)	25	1
6		11232X009	Bolt, Lug (5/16-24 x 1-3/8")	1	1
7		7930360-NLA	NLA - Package, Screw, Phillips Pan Head (#10-32 x 11/16")	25	1
8	D	03018X045	Bracket, Pad Support, Chrome	1	1
8	C	03018X044-NLA	NLA - Bracket, Pad Support, Black	1	1
9	A,D	8881050191-NL A	NLA - Head Support Assembly (Pair)	1	1
9	A,C	8881050192-NL A	NLA - Head Support Assembly (Pair)	1	1
	B,E	1023610-NLA	NLA - Instruction Sheet	1	1

NOTE: A - Specify upholstery color, see page titled "Packaging and Upholstery Colors"  
 B - Not Shown  
 C - Recliner  
 D - Non-Recliner  
 E - Item is no longer available from the Invacare Service Parts Department. Refer to the Invacare Website under "Product Literature Search". Enter the part number in the "Keywords" field and download a free PDF version copy.

# Solid Folding Seat

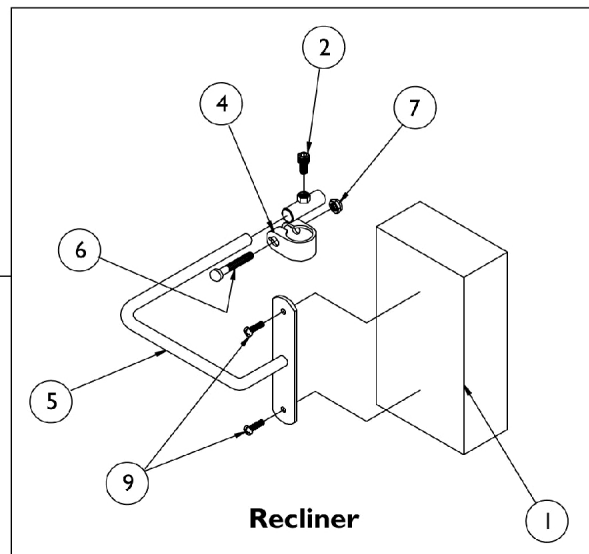
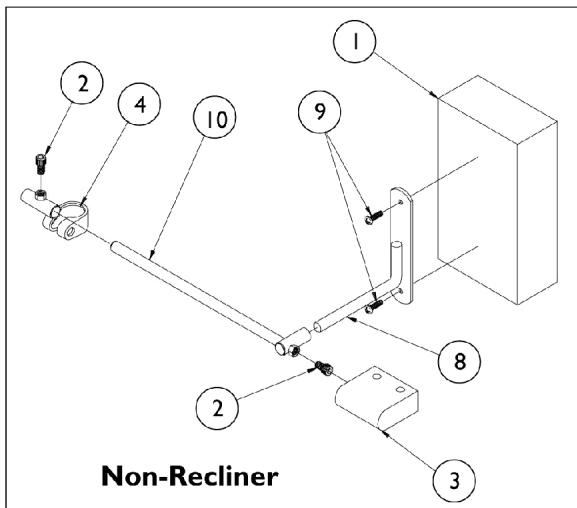


## Solid Folding Seat

Item Number	Note	Part Number	Description	Quantity Per	
				Package	Assembly
1		1016766	Bracket, Hinge, Chrome	1	2
1		1020225-NLA	NLA - Bracket, Hinge, Chrome (14" W Chair)	1	2
2		1013218	Washer (#10 Flat)	1	8
3		7930360-NLA	NLA - Package, Screw, Phillips Pan Head (#10-32 x 11/16")	25	8
4	A,B	8881020216-NL A	NLA - Upholstery, Solid Seat	1	1
4	A,C	8881020220-NL A	NLA - Upholstery, Solid Seat	1	1
4	A,D	8881020227-NL A	NLA - Upholstery, Solid Seat	1	1
5		1016767-NLA	NLA - Hook Bracket	1	2
5		1020224	Hook Bracket, Hook (14" W)	1	2
6	A,B	8881036890-NL A	NLA - Solid Folding Seat Assembly	1	1
6	A,C	8881036891-NL A	NLA - Solid Folding Seat Assembly	1	1
6	A,D	8881036892-NL A	NLA - Solid Folding Seat Assembly	1	1

NOTE: A - Specify upholstery color, see page titled "Packaging and Upholstery Colors"  
 B - 12" Wide x 11" Deep  
 C - 14" Wide x 12" Deep  
 D - 16" Wide x 14" Deep

# Torso Support



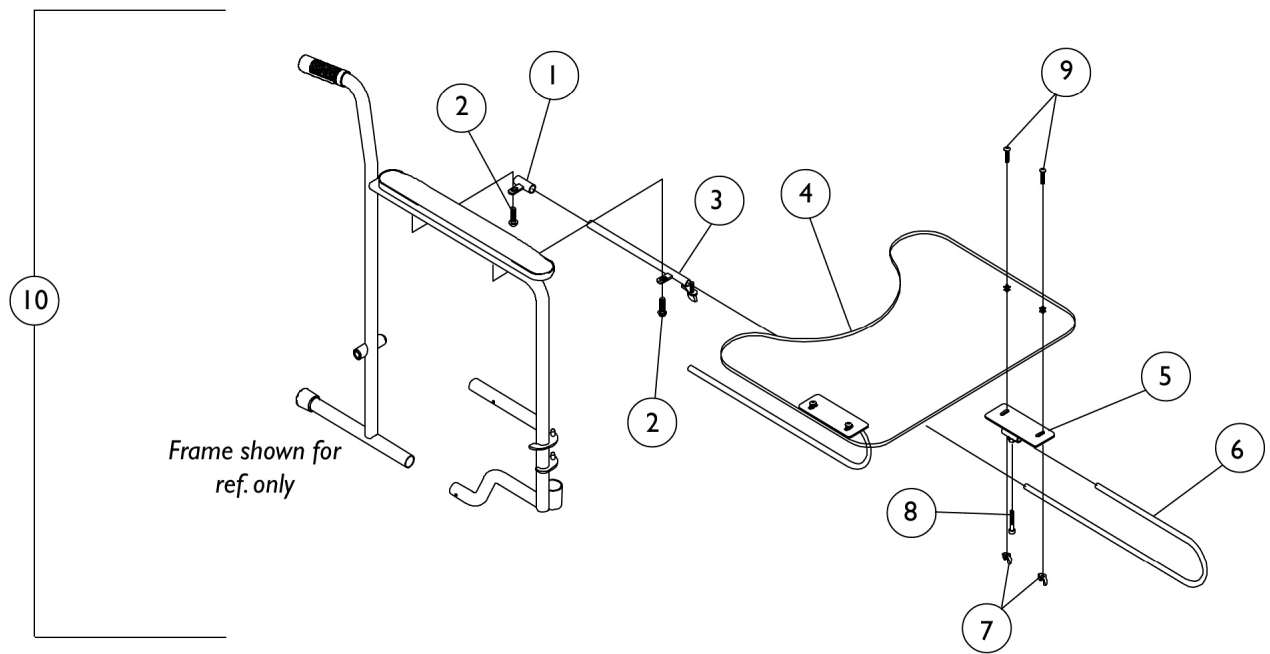
11

# Torso Support

Item Number	Note	Part Number	Description	Quantity Per	
				Package	Assembly
1	B	88804529X040-NLA	NLA - Pad, Headrest	1	1
2		60284X001	Screw, Socket Head (1/4-20 x 1/2")	1	1
3		88804529X043-NLA	NLA - Cover Torso Bracket	1	1
4		03018X043	Bracket, Clamp, Black- Right	1	1
4		03018X046	Bracket, Clamp, Black - Left	1	1
5		03018X041-NLA	NLA - Bracket, Pad Support, Chrome	1	1
6		11232X009	Bolt, Lug (5/16-24 x 1-3/8")	1	1
7		7930363-NLA	NLA - Package, Locknut (5/16"-24)	25	1
8		03018X016-NLA	NLA - Bracket, Support, Chrome	1	1
9		7930360-NLA	NLA - Package, Screw, Phillips Pan Head (#10-32 x 11/16")	25	1
10		03018X012-NLA	NLA - Rod, Support w/ Guide Tube	1	1
11	B,D	8881050189-NL A	NLA - Torso Support Assembly (Pair)	1	1
11	B,C	8881050190-NL A	NLA - Torso Support Assembly (Pair)	1	1
	A,E	1023610-NLA	NLA - Instruction Sheet	1	1

NOTE: A - Not Shown  
 B - Specify upholstery color, see page titled "Packaging and Upholstery Colors".  
 C - Recliner  
 D - Non-Recliner  
 E - Item is no longer available from the Invacare Service Parts Department. Refer to the Invacare Website under "Product Literature Search". Enter the part number in the "Keywords" field and download a free PDF version copy.

# Utility Tray



## Utility Tray

Item Number	Note	Part Number	Description	Quantity Per	
				Package	Assembly
1		04570X002-NLA	NLA - Tube, Support, Slide, Chrome	1	2
2		11008X011	Screw, Phillips Round Head (#10-32 x 1-3/8")	1	2
3		04570X009-NLA	NLA - Tube, Slide Lock, Full Length Arm - Right	1	1
3		04570X010-NLA	NLA - Tube, Slide Lock, Full Length Arm - Left	1	1
3		04570X011-NLA	NLA - Tube, Slide Lock, Desk Length Arm - Right	1	1
3		04570X012-NLA	NLA - Tube, Slide Lock, Desk Length Arm - Left	1	1
4		47469X006-NLA	NLA - Tray	1	1
5		1009341-NLA	NLA - Bracket, Tray	1	2
6		1010922-NLA	NLA - Tube, Support	1	2
7		20148X004-NLA	NLA - Nut, Wing (1/4-20)	1	4
8		60284X001	Screw, Socket Head (1/4-20 x 1/2")	1	2
9		10123X006	Bolt, Carriage (1/4-20 x 3/4")	1	4
10		1035965-NLA	NLA - Tray, Utility, Full Length Arm	1	1
10		1035966-NLA	NLA - Tray, Utility, Desk Length Arm	1	1
	A,B	1023704-NLA	NLA - Instruction Sheet	1	1

NOTE: A - Not Shown  
 B - Item is no longer available from the Invacare Service Parts Department. Refer to the Invacare Website under "Product Literature Search". Enter the part number in the "Keywords" field and download a free PDF version copy.



## Miscellaneous Accessories

Part Description & Description	Description	Package Quantity
1036901-NLA See Note(s) B	Anti-Tipper w/ Instruction Sheet (pair)	1
1036900 See Note(s) C	Anti-Tipper w/ Instruction Sheet (pair)	1
8881036896-NLA See Note(s) A	Clip-On Solid Seat (14" W x 12" D)	1
1034204	Crutch and Cane Carrier	1
1036893-NLA See Note(s) A	Cushion Wedged Seat (12" W x 11" D)	1
8881036894-NLA See Note(s) A	Cushion Wedged Seat (14" W x 12" D)	1
8881036895-NLA See Note(s) A	Cushion Wedged Seat (16" W x 14" D)	1
8881036899 See Note(s) A	Side Panel Cushion (1" Wide)	1
8881036898-NLA See Note(s) A	Side Panel Cushion (2" Wide)	1
8881036897-NLA See Note(s) A	Side Panel Cushion (3" Wide)	1
40176X010-NLA	Tire Pump	1
1050193	Wheel Lock Extension w/Tip 6" (Pair)	2
1143049	Kit, Wheel Lock Extension Handle, Black (8") (Pair)	2
NOTE: A - Specify upholstery color, see page titled "Packaging and Upholstery Colors". B - All Recliners C - Non-Reclining Only		

# Miscellaneous Accessories

## Carrying Pocket

Part Description & Description	Description	Package Quantity
8881047954-NLA See Note(s) A	Carrying Pocket, Expanded Vinyl (14" W Chair)	1
8881047957 See Note(s) A	Carrying Pocket, Expanded Vinyl (16-22" W Chair)	1
8881047956-NLA See Note(s) A	Carrying Pocket, Nylon	1
8881047959 See Note(s) A	Carrying Pocket, Nylon (16-20" W Chairs)	1

NOTE: A - Specify upholstery color, see page titled "Packaging and Upholstery Colors".

## Seat Positioning Strap

Part Description & Description	Description	Package Quantity
1036909-NLA	Seat Positioning Strap Airline Style Buckle (12" W)	1
TAGTS1034751-NLA	Seat/Chest Positioning Strap Airline Style Buckle (46" Long)	1
1036912-NLA	Seat Positioning Straps Auto Style Buckle (12" W Chair)	1
1004310	Seat/Chest Positioning Strap Auto Style Buckle (45" Long)	1
1036906-NLA	Seat Positions Straps Hook & Loop Style (12" Wide)	1
1034744	Seat/Chest Positioning Straps Hook & Loop Style (30" Long)	1

# Miscellaneous Accessories

## Solid Back & Seat Inserts

Part Description & Description	Description	Package Quantity
8881036904-NLA See Note(s) C, A	Solid Back Insert (12-14" W Chair)	1
8881036905-NLA See Note(s) A, C	Solid Back Insert (16" W Chair)	1
8881036888-NLA See Note(s) C, A	Solid Seat Insert (14" W Chair)	1
8881036889-NLA See Note(s) A, D	Solid Seat Insert (16" W Chair)	1
NOTE: A - Specify upholstery color, see page titled "Packaging and Upholstery Colors". C - Non-Reclining Only D - All Models		

**Invacare Corporation**

[www.invacare.com](http://www.invacare.com)



**Yes, you can.**

One Invacare Way  
Elyria, Oh USA  
44036-2125  
800-333-6900

Technical Support  
800-832-4707  
Customer Service  
800-333-6900

Customer Service  
800-333-6900

© 2022 Invacare Corporation. All rights reserved. Republication, duplication or modification in whole or in part is prohibited without prior written permission from Invacare. Trademarks are identified by ™ and ®. All trademarks are owned by or licensed to Invacare Corporation or its subsidiaries unless otherwise noted. All trademarks are owned by or licensed to Invacare Corporation or its subsidiaries unless otherwise noted.  
(Revised 05/03/22)

Form No. 88-139