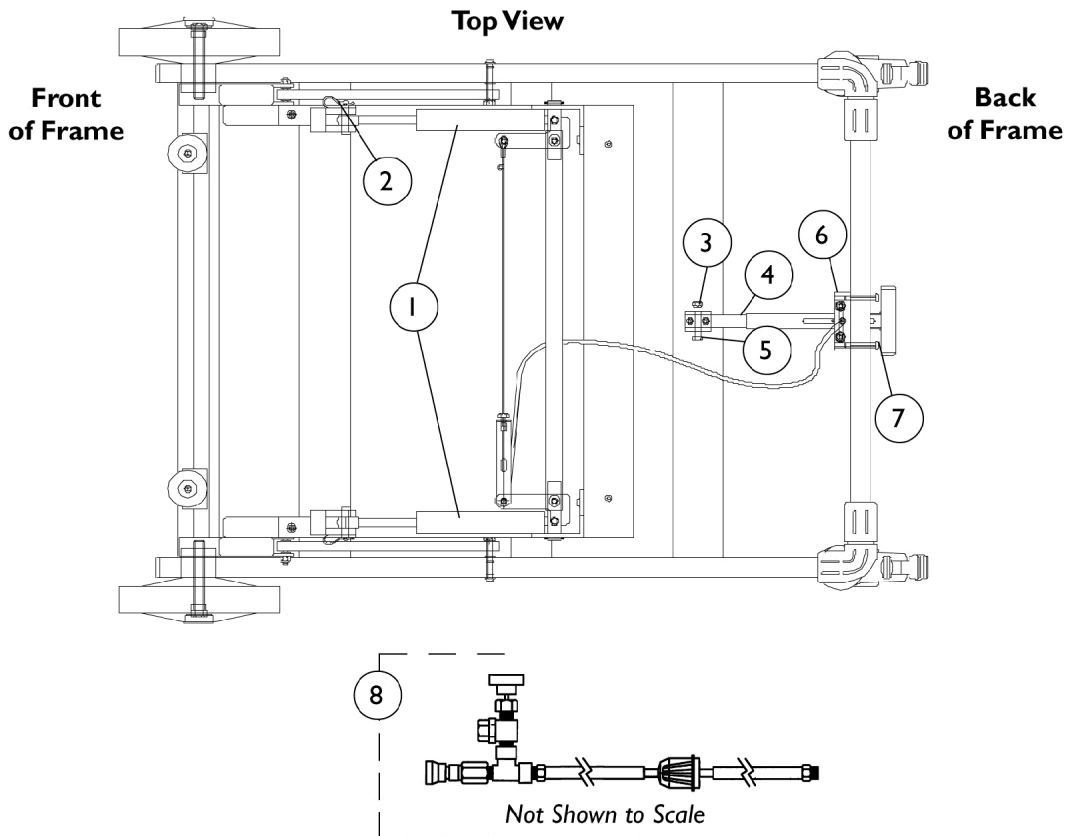


PinDot Silhouette Shape Sensor and (ContourU Base Before 9/1/09)

For assistance on ContourU Bases manufactured after 8/31/09 contact PinDot Customer Service at 1-800-451-3553.



PinDot Silhouette Shape Sensor and (ContourU Base Before 9/1/09)

For assistance on ContourU Bases manufactured after 8/31/09 contact PinDot Customer Service at
1-800-451-3553.

Item Number	Note	Part Number	Description	Quantity Per	
				Package	Assembly
1		3002812-NLA	NLA - Kit, Gas Cylinder Base (Includes: Cylinder (P550 Complete), Cable Assembly, Cross Tube, Pivot Bar, Retaining Ring, Cable Bracket, Cylinder Bracket and Hardware)	1	1
2		3002882-NLA	NLA - Kit, Base Gas Spring Bag Assembly (Includes: Clevis Pin, Hairpin, Pelvic Strap, Hardware and Instructions)	1	1
3		1100084-NLA	NLA - Locknut, Nylon (1/4-20)	1	3
4		3002866-NLA	NLA - Base Foot Assembly	1	1
5		1100046	Screw, Hex Head (1/4-20 x 1-1/4")	1	1
6		3002881-NLA	NLA - Base Lever Retainer Assembly	1	1
7		1100133	Screw, Socket Button Head (1/4-20 x 1-1/2")	1	4
8	B	3002184	Valve and Hose Assembly	1	2
	A	3001735-NLA	NLA - Hose Assembly, Male (4")	1	1
	A	3003002-NLA	NLA - Knob, Nylon (5/16-18 x 1/2")	1	2
	A	3003004-NLA	NLA - Knob, Nylon (5/16-18)	1	1

NOTE: A - Not Shown
B - Drawing is not shown to scale.