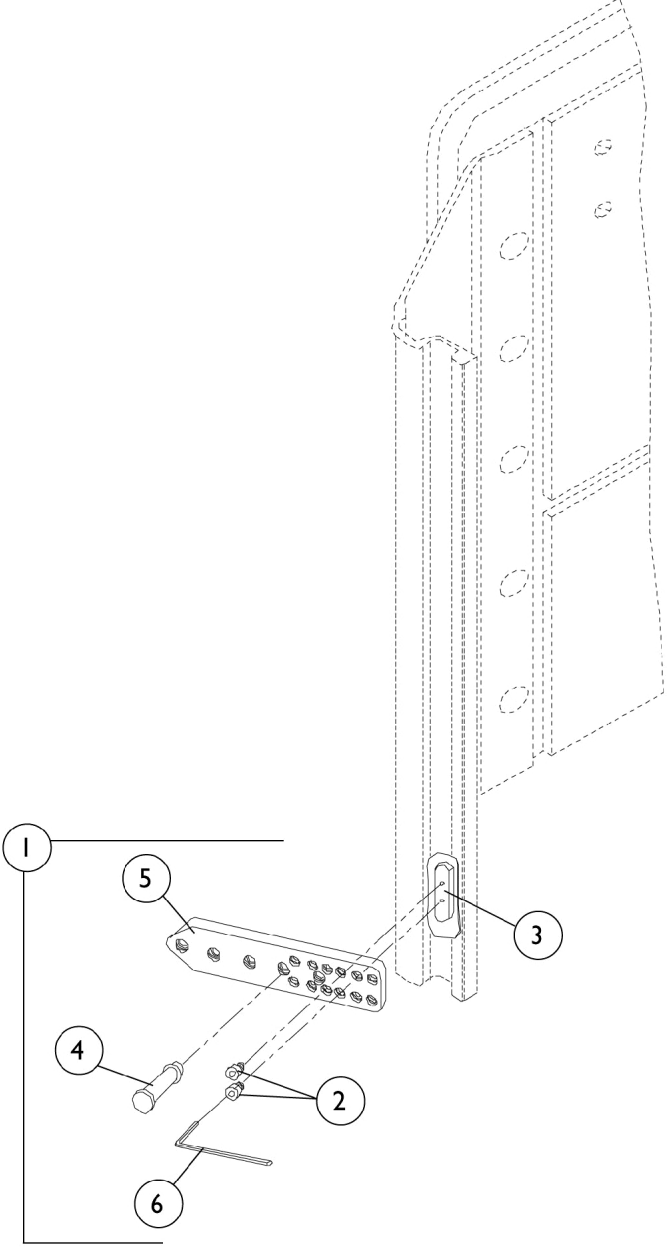


PinDot Silhouette Extended Mounting Bracket



PinDot Silhouette Extended Mounting Bracket

Item Number	Note	Part Number	Description	Quantity Per	
				Package	Assembly
1	A	3003065-NLA	NLA - Kit, Mounting Brackets, Extended (Pair)	2	1
2		1100382	Screw, Socket Head (#8-32 X 1/4")	1	4
3		3002713	Nut, Mounting - 2 Hole (11/32" x 1-1/2")	1	2
4		3002721	Pin, Quick Release	1	2
5		3002900-NLA	NLA - Bracket, Extended Mounting	1	2
6		4000031-NLA	NLA - Wrench, Allen (9/64")	1	1

NOTE: A - Includes items 2-6 and Instruction Sheet