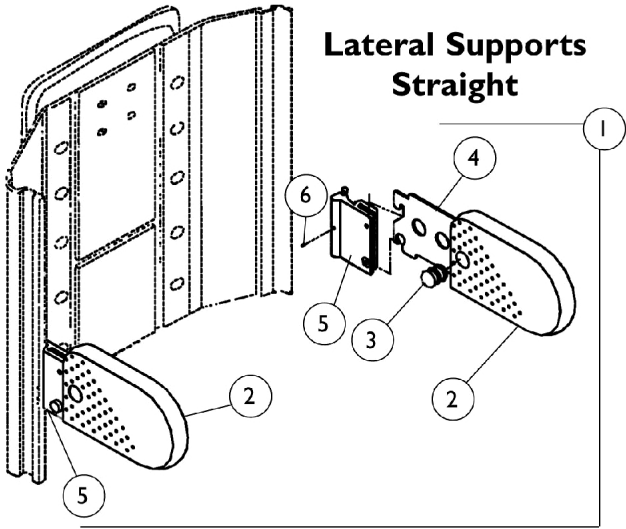
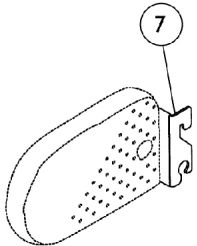


PinDot Silhouette Lateral Supports and Inserts



Lateral Supports Off-Set



PinDot Silhouette Lateral Supports and Inserts

Item Number	Note	Part Number	Description	Quantity Per	
				Package	Assembly
1	B	3002991	Kit, Lateral Support, Straight - Right	1	1
1	B	3003021	Kit, Lateral Support, Straight - Left	1	1
2		3002777	Pad, Lateral Support	1	2
3		3002746	Plug, Lateral Support	1	2
4	D	3002743	Bracket, Lateral Insert, Straight (Identical for Right and Left Lateral Supports)	1	1
5		3002757	Lateral Mount Assembly - Right (Includes: Set Screw, Lock Button, Lock Pin, Lateral Mount and Spring)	1	1
5		3002756	Lateral Mount Assembly - Left (Includes: Set Screw, Lock Button, Lock Pin, Lateral Mount and Spring)	1	1
6		1100385-NLA	NLA - Screw, Set Socket Dog Point (#10-32 x 1/4")	1	2
7		3002802-NLA	NLA - Bracket, Lateral Insert Offset - Right (1/2")	1	1
7		3002803-NLA	NLA - Bracket, Lateral Insert Offset - Left (1/2")	1	1
7		3002804-NLA	NLA - Bracket, Lateral Insert Offset - Right (1")	1	1
7		3002805-NLA	NLA - Bracket, Lateral Insert Offset - Left (1")	1	1
7		3002874-NLA	NLA - Bracket, Lateral Insert Offset - Right (1-1/2")	1	1
7		3002875-NLA	NLA - Bracket, Lateral Insert Offset - Left (1-1/2")	1	1
	A,C	3002992-NLA	NLA - Kit, Lateral Supports Offset - Right (1/2")	1	1
	A,C	3003022-NLA	NLA - Kit, Lateral Supports Offset - Left (1/2")	1	1
	A,C	3002993-NLA	NLA - Kit, Lateral Supports Offset - Right (1")	1	1
	A,C	3003023-NLA	NLA - Kit, Lateral Supports Offset - Left (1")	1	1
	A,C	3002994-NLA	NLA - Kit, Lateral Supports Offset - Right (1-1/2")	1	1
	A,C	3003024-NLA	NLA - Kit, Lateral Supports Offset - Left (1-1/2")	1	1
	A	3002801-NLA	NLA - Kit, Lateral Lockout (Includes: Instructions and Washers)	1	1

NOTE: A - Not Shown
 B - Includes items 2-6 and Instruction Sheet.
 C - Includes items 2-3, 5, 7 and Instruction Sheet and Lateral Cover (not shown).
 D - Identical for Right and Left Lateral Supports.