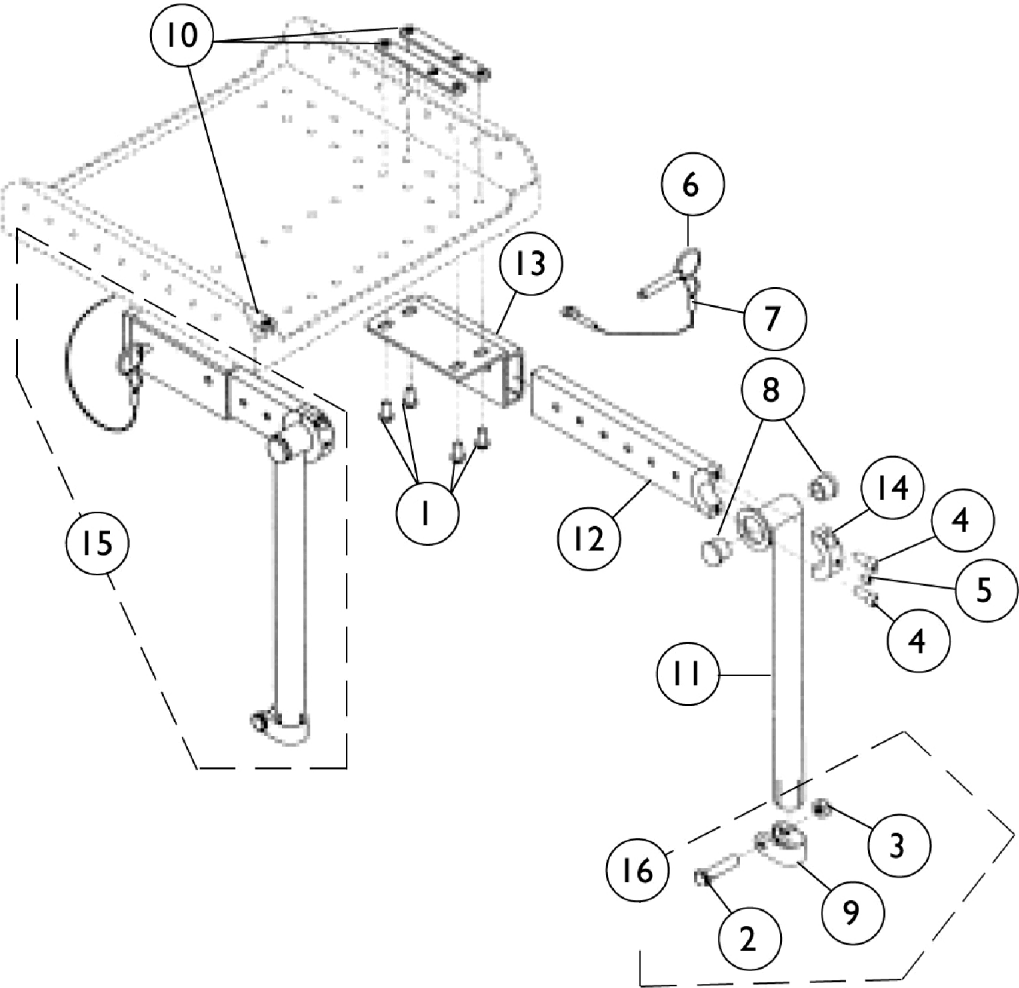


# PinDot ContourU Adjustable Legrest Tops

## LT06 Interfacing Hardware



## PinDot ContourU Adjustable Legrest Tops LT06 Interfacing Hardware

Item Number	Note	Part Number	Description	Quantity Per	
				Package	Assembly
1		1091870	Screw, Socket Button Head w/ Patch (1/4-20 x 3/4")	1	8
2		1100168-NLA	NLA - Bolt, Clamp (5/16-24 x 1-3/8")	1	2
3		1100169-NLA	NLA - Locknut (5/16-24")	1	2
4		1100175-NLA	NLA - Screw, Socket Head (1/4-28 x 5/8")	1	4
5		1100191-NLA	NLA - Screw, Set Socket Cone Point (1/4-20 x 5/16")	1	2
6		1200011-NLA	NLA - Pin, Detent with Ring (1/4" x 7/8")	1	2
7		1200012-NLA	NLA - Lanyard	1	2
8		1200036	Plug Button, Round, Black (3/4")	1	4
9		47311X001-NLA	NLA - Clamp (7/8")	1	2
10	C	3000243-NLA	NLA - Backing Plate, 3 Position, 1" and 3" Spacing	1	4
11		3000752-NLA	NLA - Tube, Legrest, Chrome	1	2
12		3000753-NLA	NLA - Tube, Slide, Chrome	1	2
13		3000755	Bracket, Slide, Chrome	1	2
13	A	3000401-NLA	NLA - Slide Bracket Assembly, Chrome	1	2
14		3000802-NLA	NLA - Collar, Half, Non-Threaded	1	2
15		3000757	Legrest Support Assemblies, Chrome (Pair)	2	1
15		3000400-NLA	NLA - Legrest Support Assembly, Chrome - Right or Left	1	2
16	B	3001249-NLA	NLA - Clamp Assembly, Lock Nut	1	2

NOTE: A - Includes items 1, 10, and Bracket.  
B - Includes items 2, 3, and 9.  
C - No Longer Available individually. See part # 3000401 for replacement.