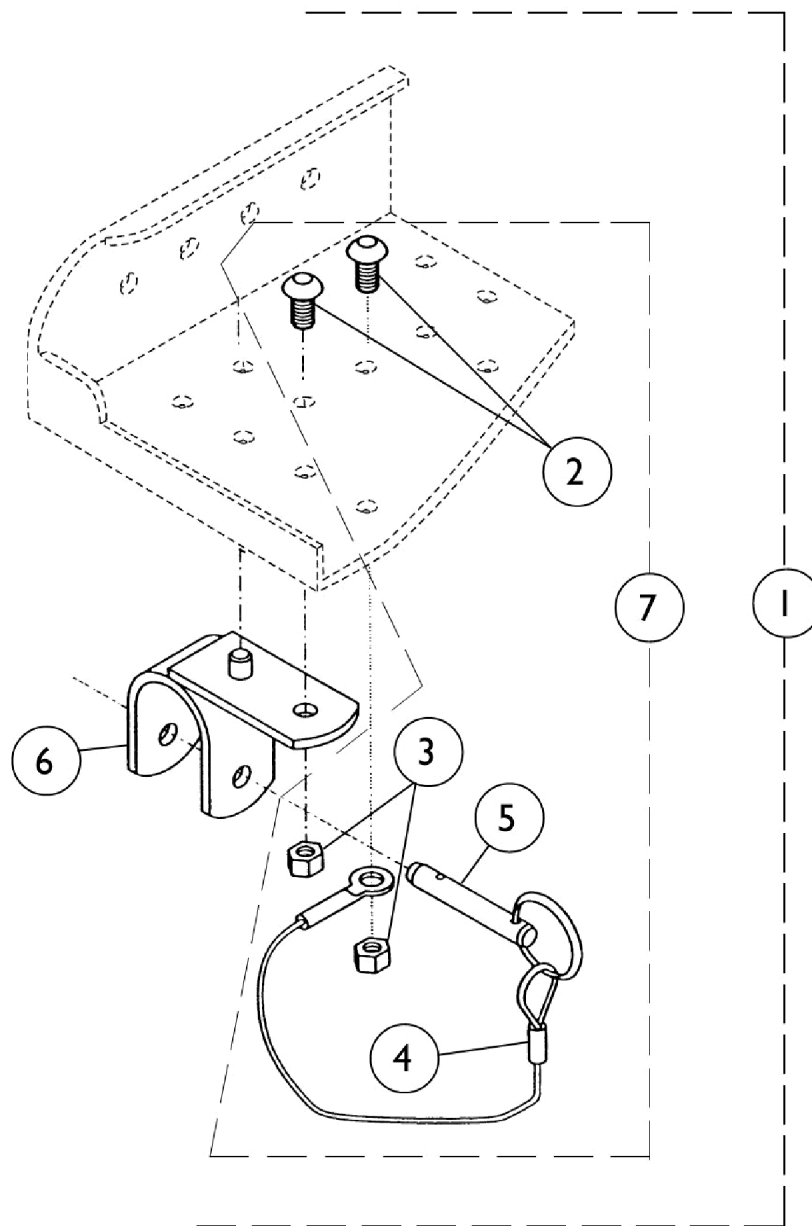


# PinDot ContourU Pan Mounting Brackets

## MB04P and MB12P Interfacing Hardware Package



## PinDot ContourU Pan Mounting Brackets MB04P and MB12P Interfacing Hardware Package

Item Number	Note	Part Number	Description	Quantity Per	
				Package	Assembly
1	B	MB04P	Hardware, Interfacing (1") (Pair)	2	2
1	B	MB12P	Hardware, Interfacing (7/8") (Pair)	2	2
2		1100023	Screw, Button Head w/ Patch (1/4-20 x 1/2")	1	4
3		15108X000	Locknut (1/4-20)	1	4
4		1200012-NLA	NLA - Lanyard	1	2
5		1200029-NLA	NLA - Pin, Detent with Ring (1/4" x 1 1/8")	1	2
6	D	3002237	Bracket, Pan Mounting, Black (1")	1	4
6	E	3002234	Bracket, Pan Mounting, Black (7/8")	1	4
7	C	3003068-NLA	NLA - Hardware, Pan Mounting	1	4
	A	0900114-NLA	NLA - Instruction Sheet, Pan Mounting Bracket	1	1

NOTE: A - Not Shown  
 B - Includes items 6-7 and Instruction Sheet  
 C - Includes items 2-5  
 D - Used on MB04P only  
 E - Used on MB12P only