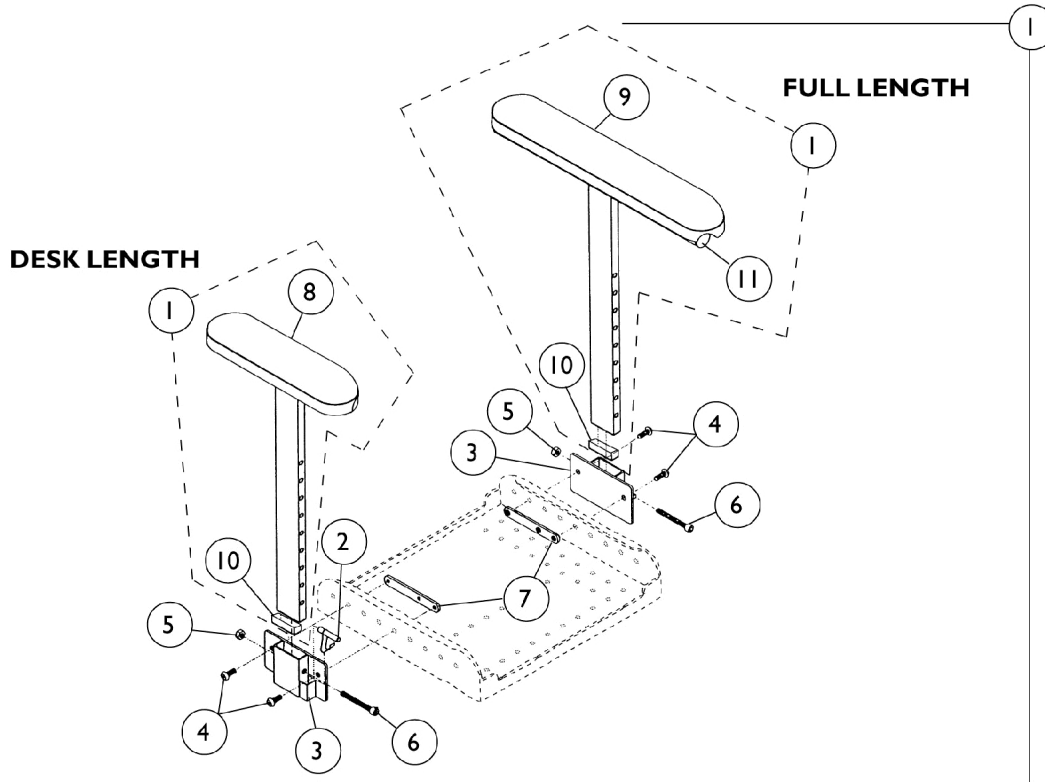


PinDot ContourU Arm Rests

AR20 and AR24 Interfacing Hardware



PinDot ContourU Arm Rests AR20 and AR24 Interfacing Hardware

Item Number	Note	Part Number	Description	Quantity Per	
				Package	Assembly
1		AR20-NLA	NLA - Armrests with Hardware, Desk Length	2	1
1		AR24-NLA	NLA - Armrests with Hardware, Full Length	2	1
1	A	3000453-NLA	NLA - Kit, Armrest, Desk Length - Right/Left	1	2
1	A	3000452-NLA	NLA - Kit, Armrest, Full Length - Right/Left	1	2
2		1200024	Clip, Spring	1	2
3		3000759	Receptacle, Arm Post	1	2
4		1100020-NLA	NLA - Screw, Socket Button Head (1/4-20 x 5/8")	1	4
5		1100084-NLA	NLA - Locknut, Nylon (1/4-20)	1	2
6		1100090-NLA	NLA - Screw, Socket Head (1/4-20 x 2")	1	2
7	B	3000243-NLA	NLA - Backing Plate, 3 Position, 1" and 3" Spacing	1	2
8		1110817	Kit, Arm Pad w/ Screws, Desk Length, Urethane Waterfall, Black (9" L x 2-5/8" W) (Pair)	2	1
9		3000233-NLA	NLA - Pad, Armrest, Full Length	1	2
10		1200033-NLA	NLA - Plug Button, Rectangular, Black (1-1/2 x 1/2")	1	4
11		1200034	Plug Button, Round, Black (7/8")	1	4

NOTE: A - Includes: Post, items 8 or 9, and items 10-11.
B - No Longer Available individually. Refer to Part # AR20 or AR24 for replacement.