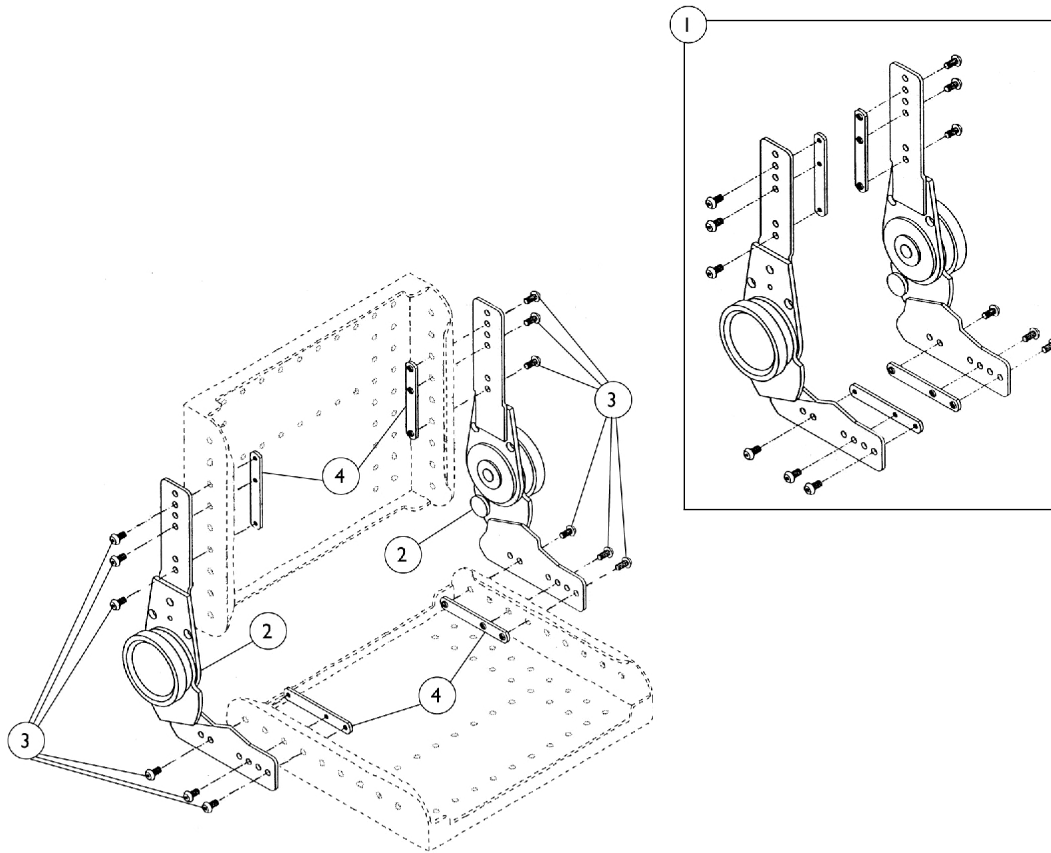


PinDot ContourU Dial Links GL10 Interfacing Hardware Package



PinDot ContourU Dial Links GL10 Interfacing Hardware Package

| Item Number | Note | Part Number | Description | Quantity Per | |
|-------------|------|-------------|--|--------------|----------|
| | | | | Package | Assembly |
| 1 | | GL10 | Dial Link Assemblies with Hardware (Pair) | 2 | 1 |
| 2 | | 3002325-NLA | NLA - Dial Link Assembly without Hardware - Left | 1 | 1 |
| 2 | | 3002326-NLA | NLA - Dial Link Assembly without Hardware - Right | 1 | 1 |
| 3 | | 1100023 | Screw, Button Head w/ Patch (1/4-20 x 1/2") | 1 | 12 |
| 4 | A | 3000243-NLA | NLA - Backing Plate, 3 Position, 1" and 3" Spacing | 1 | 4 |

NOTE: A - No Longer Available individually. Refer to Assembly GL10 for replacement.