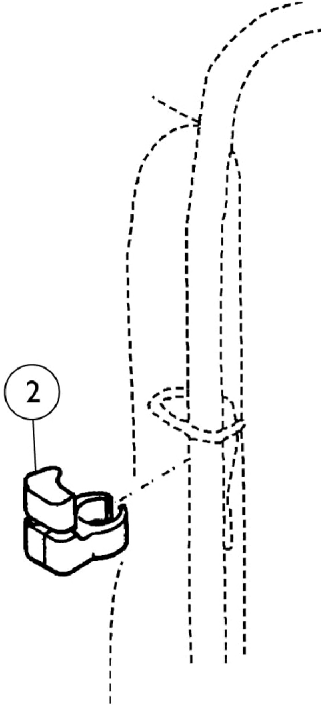
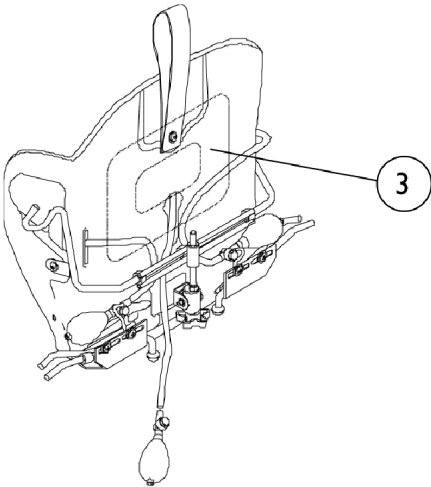
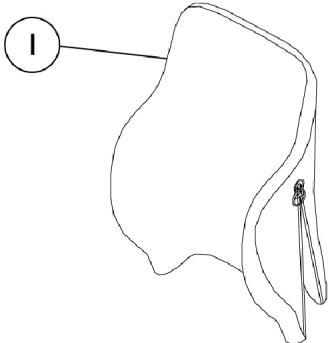


Ulti-Mate Air Back and Ulti-Mate Air Back Pneumatic



Ulti-Mate Air Back and Ulti-Mate Air Back Pneumatic

Item Number	Note	Part Number	Description	Quantity Per	
				Package	Assembly
1		See Chart	Item #1 - Back Covers	1	1
2		1063330-NLA	NLA - Clamps, Cane (7/8") (Pair)	2	2
2		1063329-NLA	NLA - Clamps, Cane (3/4") (Pair)	2	2
2		1063328-NLA	NLA - Clamps, Cane (1") (Pair)	2	2
3	B	1063841-NLA	NLA - Bladder, Lumbar with Bulb and Valve	1	1
	A	1081575-NLA	NLA - Bladder, Lateral with Bulb and Valve	1	1
	A	See Chart	Main Wire Assembly	1	1

NOTE: A - Not Shown
B - For Ulti-Mate Air Back Pneumatic

Item #1 - Back Covers

	16" High	20" High
16-17" Wide	1063812-NLA	1063813-NLA
18-19" Wide	1063814-NLA	1063815-NLA
20" Wide	1063816-NLA	1063817-NLA

NOTE: For odd sizes, please contact your Customer Service representative.

**Ulti-Mate Air Back and Ulti-Mate Air Back Pneumatic
Main Wire Assembly**

Back Width	Part Number
16"	5000069-NLA
17"	5000071-NLA
18"	5000005-NLA
19"	5000073-NLA
20"	5000075-NLA