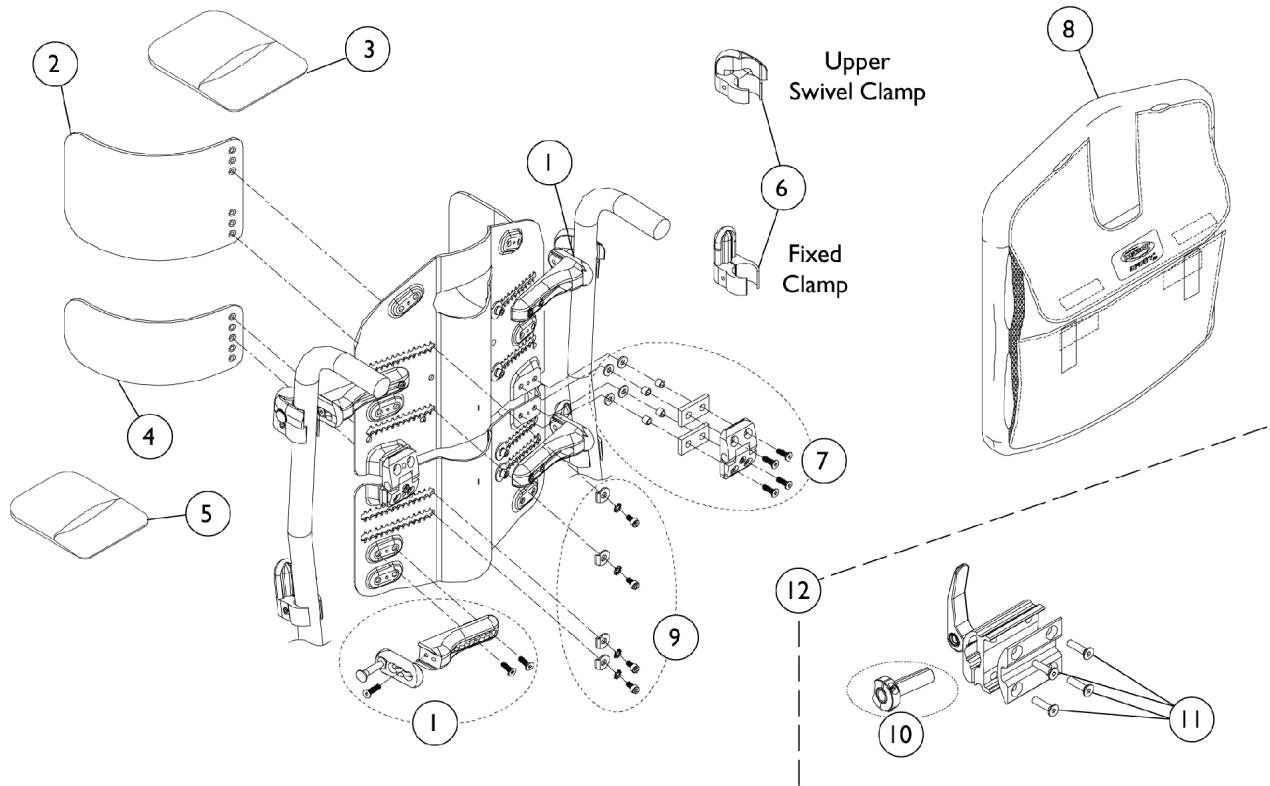


# Infinity Back Hardware and Accessories - Before 12/15/01

Including UniBack, DualFlex and DualFlex Short



## Infinity Back Hardware and Accessories - Before 12/15/01 Including UniBack, DualFlex and DualFlex Short

Item Number	Note	Part Number	Description	Quantity Per	
				Package	Assembly
1		1084052-NLA	NLA - Kit, Back Hardware	1	1
			Bracket, Adjustment, Black	1	2
			Bracket, Width Adjustment, Black	1	2
			Screw, Socket Flat Head (#10-32 x 3/4")	1	2
			Screw, Socket Head (#10-32 x 5/8")	1	4
2		1084053-NLA	NLA - Kit, Lateral Support - Upper (Mild)	1	1
			Lockwasher, External Tooth (#10)	1	4
			Support, Upper Lateral, Mild Contour	1	2
			Foam, Upper Lateral, Standard Contour	1	2
			NLA - Screw, Socket Head (#10-32 x 1/2")	1	4
			Washer, Bent (1/4")	1	4
			Cover, Upper Lateral, Mild	1	2
2		1084054-NLA	NLA - Kit, Lateral Support - Upper (Max)	1	1
			Lockwasher, External Tooth (#10)	1	4
			Support, Upper Lateral, Max Contour	1	2
			Foam, Upper Lateral, Max Contour	1	2
			NLA - Screw, Socket Head (#10-32 x 1/2")	1	4
			Washer, Bent (1/4")	1	4
			NLA - Cover, Upper Lateral, Max	1	2
2	E	1084055-NLA	NLA - Kit, Lateral Support - Lower (Moderate)	1	1
			Lockwasher, External Tooth (#10)	1	4
			Support, Lower Lateral, Mild Contour	1	2
			Foam, Support, Mild	1	2
			NLA - Screw, Socket Head (#10-32 x 1/2")	1	4
			Washer, Bent (1/4")	1	4
			Cover, Lower Lateral, Mild	1	2
2	F	1084056-NLA	NLA - Kit, Lateral Support - Lower (Max)	1	1
			Lockwasher, External Tooth (#10)	1	4
			Support, Lower Lateral, Max Contour	1	2
			Foam, Lower Lateral, Max Contour	1	2
			NLA - Screw, Socket Head (#10-32 x 1/2")	1	4
			Washer, Bent (1/4")	1	4
			Cover, Lower Lateral, Max	1	2
3		1087327	Cover, Upper Lateral, Mild	1	2
3		1087328-NLA	NLA - Cover, Upper Lateral, Max	1	2
3	E	1087325	Cover, Lower Lateral, Mild	1	2
3	F	1087326	Cover, Lower Lateral, Max	1	2
4	G	1084055	NLA - Kit, Lateral Support - Lower (Moderate)	1	1
			Lockwasher, External Tooth (#10)	1	4
			Support, Lower Lateral, Mild Contour	1	2
			Foam, Support, Mild	1	2
			NLA - Screw, Socket Head (#10-32 x 1/2")	1	4
			Washer, Bent (1/4")	1	4
			Cover, Lower Lateral, Mild	1	2
4	G	1084056-NLA	NLA - Kit, Lateral Support - Lower (Max)	1	1

## Infinity Back Hardware and Accessories - Before 12/15/01 Including UniBack, DualFlex and DualFlex Short

Item Number	Note	Part Number	Description	Quantity Per	
				Package	Assembly
			Lockwasher, External Tooth (#10)	1	4
			Support, Lower Lateral, Max Contour	1	2
			Foam, Lower Lateral, Max Contour	1	2
			NLA - Screw, Socket Head (#10-32 x 1/2")	1	4
			Washer, Bent (1/4")	1	4
			Cover, Lower Lateral, Max	1	2
5		1087325	Cover, Lower Lateral, Mild	1	1
5		1087326	Cover, Lower Lateral, Max	1	2
6		1084057-NLA	Kit, Cane Clamps	1	1
			Kit, Cane Clamp	1	1
7		1109936-NLA	NLA - Kit, DualFlex Hinge	1	1
			Wrench, Allen (3/16")	1	1
			Key, Hex (1/8")	1	1
			Hinge Assembly	1	1
			Spacer, Rubber Block	1	2
			Spacer, Steel (13/64 x 9/32 x 5/16")	1	4
			NLA - Screw, Socket Head (#10-32 x 3/4")	1	4
			Locknut (#10-32)	1	4
8		See Chart	Item #8 - Back Cushion Assembly (Before 12/15/01)	1	1
9		1084356-NLA	NLA - Kit, Back Mounting Hardware	1	1
			Lockwasher, External Tooth (#10)	1	8
			Spacer, Rubber Block	1	4
			NLA - Screw, Socket Flat Head (#10-32 x 1/2")	1	8
			NLA - Screw, Socket Head (#10-32 x 1/2")	1	8
			Screw, Socket Flat Head (#10-32 x 3/4")	1	4
			Screw, Socket Head (#10-32 x 5/8")	1	16
			Key, Allen (5/32")	1	1
			Spacer, Steel (13/64 x 9/32 x 5/16")	1	8
			Washer, Bent (1/4")	1	8
			Key, Hex (1/8")	1	1
10		1084667-NLA	NLA - Adapter, Headrest (Whitmyer)	1	1
11	A,D	1086206-NLA	NLA - Screw, Socket Flat Head (#10-32 x 3/4")	1	4
11	B,D	1084412-NLA	NLA - Screw, Socket Head (#10-32 x 1/2")	1	4
12	C,H	1084666	Kit, Headrest Clamp	1	1
			NLA - Instruction Sheet, Infinity Headrest Clamp	1	1
			NLA - Clamp, Universal Headrest	1	1

NOTE: A - Before 3/1/00.  
B - After 2/29/00.  
C - Does not include item 10.  
D - Used for Headrest Clamp.  
E - Used on DualFlex Short, Mild Contour.  
F - Used on DualFlex Short, Max Contour.  
G - Used as Pelvic Stabilizer Pads (Lower) on some Back Models.  
H - Part number 1084380 is no longer available from the Invacare Service Parts Department. Refer to the Invacare Website under "Product Literature Search". Enter the part number in the "Keywords" field and download a free PDF version copy.

# Infinity Back Hardware and Accessories - Before 12/15/01

## Including UniBack, DualFlex and DualFlex Short

### Item #8 - Back Cushion Assembly (Before 12/15/01)

	Short (14-1/4")	Regular (17-1/4")	Tall (20-1/4")
DualFlex - Small (11")	1101202-NLA	1084059-NLA	1084060-NLA
DualFlex - Medium (14")	1101203-NLA	1084061-NLA	1084062-NLA
DualFlex - Large (17")	1101204-NLA	1084063-NLA	1084064-NLA
UniBack - Small (11")	N/A	1084065-NLA	1084066-NLA
UniBack - Medium (14")	N/A	1084067-NLA	1084068-NLA
UniBack - Large (17")	N/A	1084069-NLA	1084070-NLA

NOTE: Back Cushion Assembly includes the foam and cover.