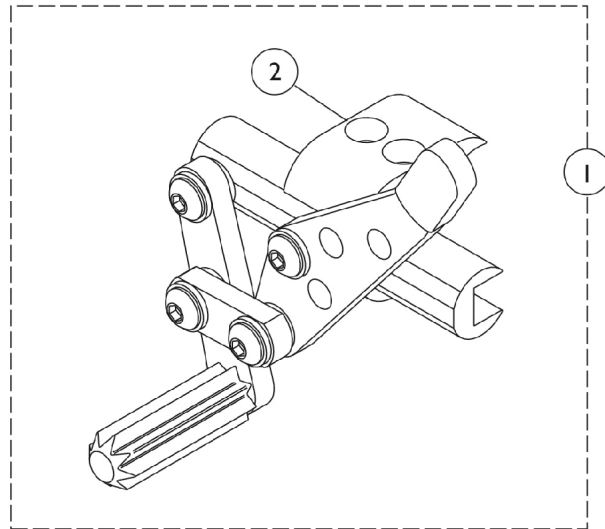


High Mount Wheel Locks

Push to Lock



| Item Number | Note | Part Number | Description | Quantity Per | |
|-------------|-------|-------------|--|--------------|----------|
| | | | | Package | Assembly |
| 1 | A,B,D | 1046406-NLA | NLA - Wheel Lock, High Mount, Push to Lock - Right | 1 | 1 |
| 1 | A,B,D | 1046407-NLA | NLA - Wheel Lock, High Mount, Push to Lock - Left | 1 | 1 |
| 1 | | 1125459 | Wheel Lock Assembly, Push/Pull - Right | 1 | 1 |
| 1 | | 1125460 | Wheel Lock Assembly, Push/Pull - Left | 1 | 1 |
| 2 | C | 1068210-NLA | Kit, Wheel Lock Attaching Hardware (1" Tubing) | 1 | 1 |
| | | | Screw, Allen Head (1/4-20 x 1") | 1 | 2 |
| | | | Clamp, Half, Non-Threaded | 1 | 1 |
| | | | Clamp, Half, Threaded | 1 | 1 |

NOTE: A - Includes Item 2
 B - The rubber tip on the Wheel Lock is not available as a service part.
 C - Includes (2) Allen Head Screws and Threaded and Non-Threaded Clamp Halves.
 D - No Longer Available. Order Push/Pull Wheel Locks 1125459 RT and 1125460 LT as a pair to match.