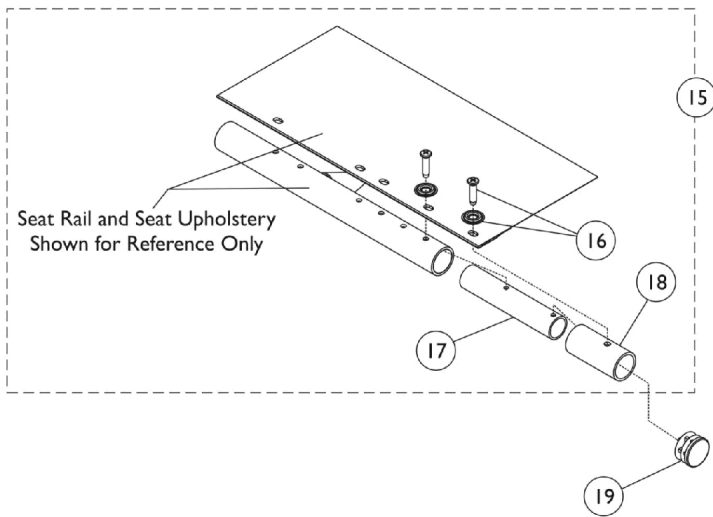
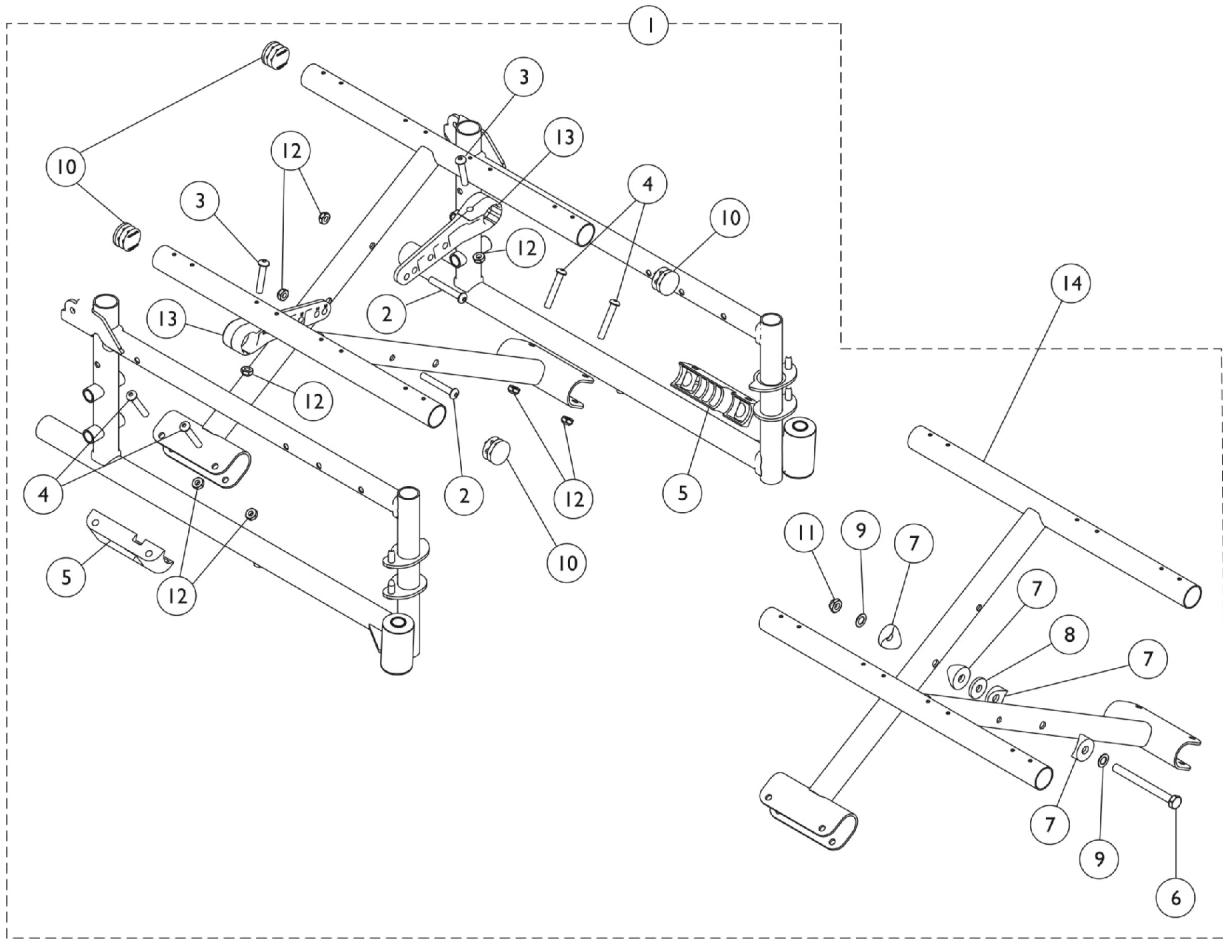


Crossbraces & Hardware - Swingaway Frames



Crossbraces & Hardware - Swingaway Frames

Item Number	Note	Part Number	Description	Quantity Per	
				Package	Assembly
1	A	1110085	Hardware, Crossbrace, Hemi (14 - 15" W)	1	1
1	A	1110086	Hardware, Crossbrace, Hemi (16 - 18" W)	1	1
1	A	1110087	Hardware, Crossbrace, Hemi (20 - 22" W)	1	1
2		1001762	Screw, Socket Button Head (1/4-20 x 1-3/4")	1	2
3		1008432	Screw, Socket Button Head (1/4-20 x 1-1/4")	1	2
4		1008495	Screw, Socket Button Head (1/4-20 x 1-1/2")	1	4
5		1012172-NLA	NLA - Clamp, Saddle	1	2
6		1016261	Screw, Hex Head (5/16-24 x 3-1/4")	1	1
7		1016263	Spacer, Coved (3/4 x 1 x 1/2")	1	4
8		1016301	Washer, Nylon (5/16 x 7/8 x 1/8")	1	1
9		1016652	Washer (5/16 x 9/16 x 1/32")	1	2
10		1029501	Plug Button, Black (1")	1	4
11		1107321	Nut, Low Cap (5/16"-24)	1	1
12		60275X000	Locknut (1/4-20)	1	8
13		1110000	Link, Pivot, Black (14 - 15" W)	1	2
13		1110001	Link, Pivot, Black (16 - 18" W)	1	2
13		1110002	Link, Pivot, Black (20 - 22" W)	1	2
14	B	1109959	Crossbrace Assembly, Black (14" W)	1	2
14	B	1109960	Crossbrace Assembly, Black (16" W)	1	2
14	B	1109961	Crossbrace Assembly, Black (18" W)	1	2
14	B	1109962	Crossbrace Assembly, Black (20" W)	1	2
14	B	1109963	Crossbrace Assembly, Black (22" W)	1	2
15	C,D	1112794	Kit, Extension, Seat (2") (Pair)	2	1
16		1076283	Screw, Phillips Oval Head w/ Washer (#10-16 x 7/8")	1	2
17		1110089	Tube, Insert	1	1
18		1110090	Spacer	1	1
19		1029501	Plug Button, Black (1")	1	1

NOTE: A - Includes Items 2-13.
 B - In addition to crossbraces, a seat extension kit is needed for 18" deep chairs.
 C - Seat extension kit does not include plug button, see item #19.
 D - Includes Items 16-18.