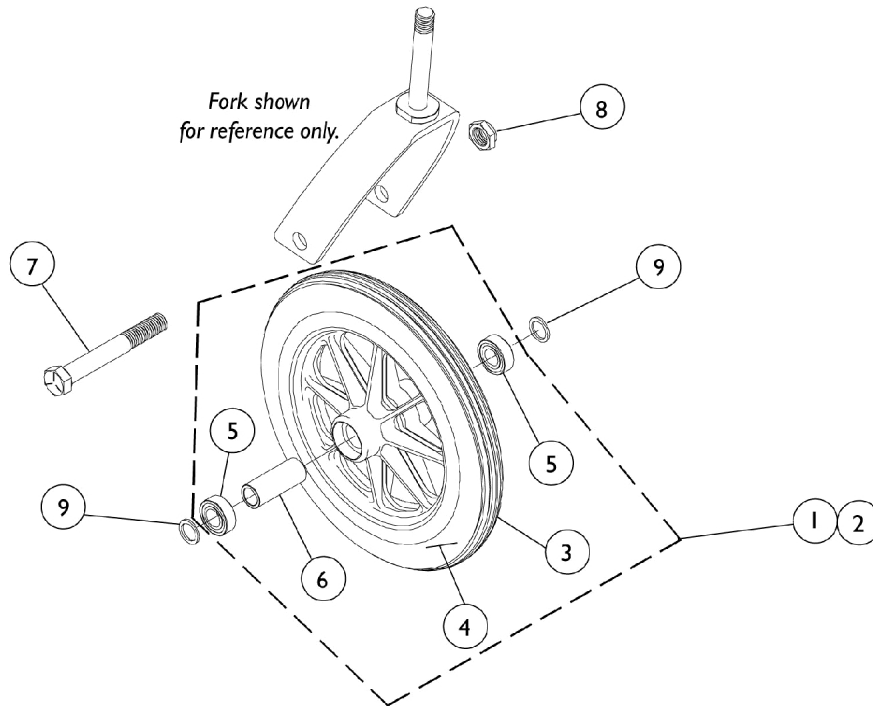
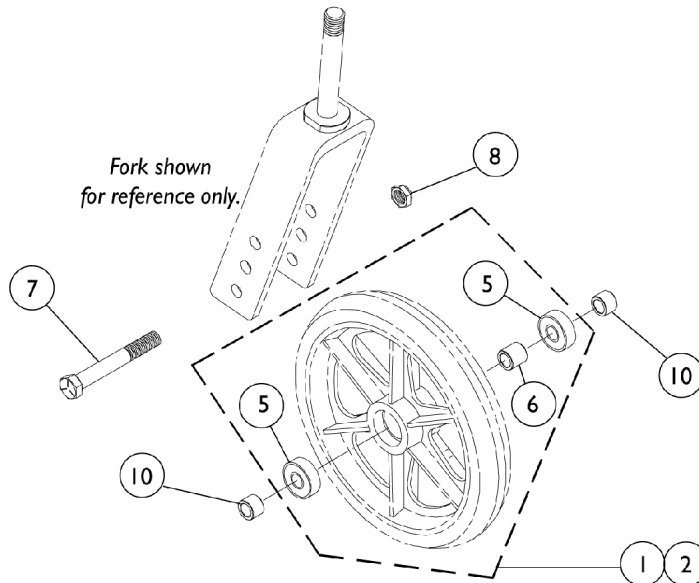


Casters - Front and Mounting Hardware

NOTE: Due to the possibility of various manufacturing dates for Tracer IV Wheelchairs built with a serial # starting with "03H" or "03I", replacement parts will need to be ordered thru an Invacare Parts Specialist at 1-800-333-6900.



All 8" Casters



6" Caster

Casters - Front and Mounting Hardware

NOTE: Due to the possibility of various manufacturing dates for Tracer IV Wheelchairs built with a serial # starting with "03H" or "03I", replacement parts will need to be ordered thru an Invacare Parts Specialist at 1-800-333-6900.

1686, AT903 & 1290

Item Number	Description	1686 Composite Light Grey Urethane (6 x 1")	AT903 Composite Urethane (8 x 1-1/4")	1290 Composite Charcoal Grey Solid Rubber (8 x 1")
1	Wheel Assembly - 1 peice	1026956 See Note(s) A	1045813-NLA See Note(s) A	1086841 See Note(s) A
2	Wheel Assembly - 1 pair	N/A	N/A	1086842 See Note(s) A
3	Tire	N/A	1038157	1075458 See Note(s) C
4	Tube/Insert	N/A	N/A	N/A
5	Bearing	40117X026	1010810	1006049
6	Hub Spacer	1026172	1020592	1018982
7	Front Axle	40317X002	57667P007	57667P007
8	Locknut, Axle	1107321	20225X000	20225X000
9	Washer, Axle	NLA See Note(s) B	1016032	1026101
10	Spacer, Axle	1053202 See Note(s) B	N/A	N/A

NOTE: A - Includes tire, tube/insert, bearing and spacer.
 B - As of 1/95, the axle spacer replaced both old style washer and old style spacer on 6" casters.
 C - Effective 1/14/05, tire color changed. Due to change, it is recommened tires be ordered in pairs.

Casters - Front and Mounting Hardware

NOTE: Due to the possibility of various manufacturing dates for Tracer IV Wheelchairs built with a serial # starting with "03H" or "03I", replacement parts will need to be ordered thru an Invacare Parts Specialist at 1-800-333-6900.

1250, 1299, & 1251

Item Number	Description	1250 Composite Solid Rubber (8 x 1")	1299 Composite Solid Rubber Light Grey (8 x 1")	1251 Composite Pnuematic (8 x 2")
1	Wheel Assembly - 1 piece	1041591 See Note(s) A	1058137 See Note(s) A	1002002 See Note(s) A
2	Wheel Assembly - 1 pair	N/A	N/A	N/A
3	Tire	1040144 See Note(s) B	1040144 See Note(s) B	40176X034
4	Tube/Insert	N/A	N/A	1034942
5	Bearing	1010810	1006049	1006049
6	Hub Spacer	1017828	1018982	1020592
7	Front Axle	57667X007-NLA	57667P007	57667P007
8	Locknut, Axle	20225X000	20225X000	20225X000
9	Washer, Axle	N/A	1026101	1016032
10	Spacer, Axle	N/A	N/A	N/A

NOTE: A - Includes tire, tube/insert, bearing and spacer.
 B - Effective 1/14/05, tire color changed from grey to light grey. Due to change, it is recommened tires be ordered in pairs.

Casters - Front and Mounting Hardware

NOTE: Due to the possibility of various manufacturing dates for Tracer IV Wheelchairs built with a serial # starting with "03H" or "03I", replacement parts will need to be ordered thru an Invacare Parts Specialist at 1-800-333-6900.

1228, 1252, & 4252

Item Number	Description	1228 Composite Semi-Pneumatic After 6-8-97 (8 x 1-3/4")	1252 Composite Pneumatic (8 x 1-1/4")	4252 Composite Pneumatic with Flat Free Insert (8 x 1-1/4")
1	Wheel Assembly - 1 piece	1070811 <small>See Note(s) A</small>	1041692 <small>See Note(s) A</small>	1041688 <small>See Note(s) A</small>
2	Wheel Assembly - 1 pair	1071666 <small>See Note(s) A</small>	N/A	N/A
3	Tire	N/A	40176X040	40176X040
4	Tube/Insert	N/A	40176X041	1010904-NLA
5	Bearing	1006049	1010810	1010810
6	Hub Spacer	1020592	1020592	1020592
7	Front Axle	57667P007	57667P007	57667P007
8	Locknut, Axle	20225X000	20225X000	20225X000
9	Washer, Axle	1016032	N/A	N/A
10	Spacer, Axle	N/A	N/A	N/A

NOTE: A - Includes tire, tube/insert, bearing and spacer.