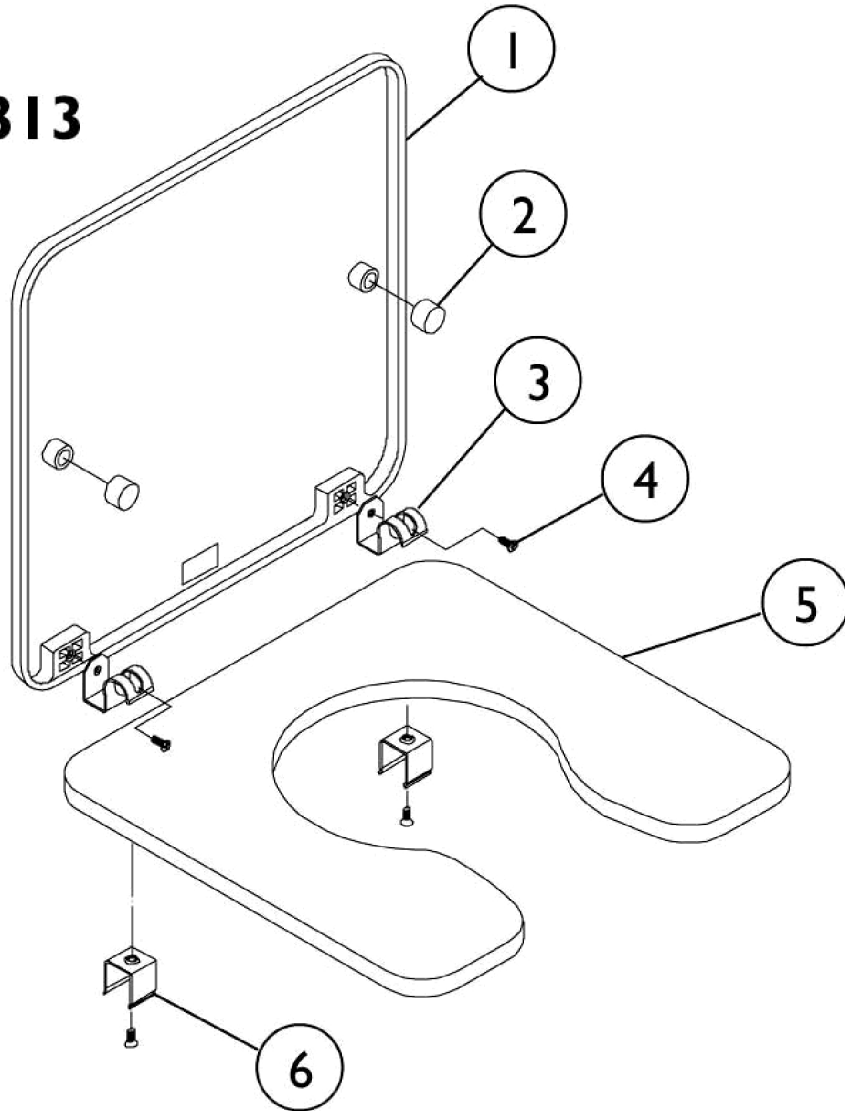


Seat & Lid

Model 6313



Seat & Lid

Item Number	Note	Part Number	Description	Quantity Per	
				Package	Assembly
1	A	13221X000	Square Lid w/ Hardware	1	1
2		13222X000-NLA	NLA - Bumper	1	2
3		48017X007	Hinge, Clip Lid	1	2
4		40163X005	Screw, Phillips Flat Head (#10-32 x 1/2")	1	4
5	B	13211X000	Square Seat w/ Hardware	1	1
6		1025378	Hinge, Clip Seat	1	2

NOTE: A - Includes items 2-4.
B - Includes items 2, 4 and 6.